

***dacor***<sup>®</sup>

Installation Instructions

**Modernist Built-In Microwave Combination Oven**  
DOC30M977D\*

# Contents

---

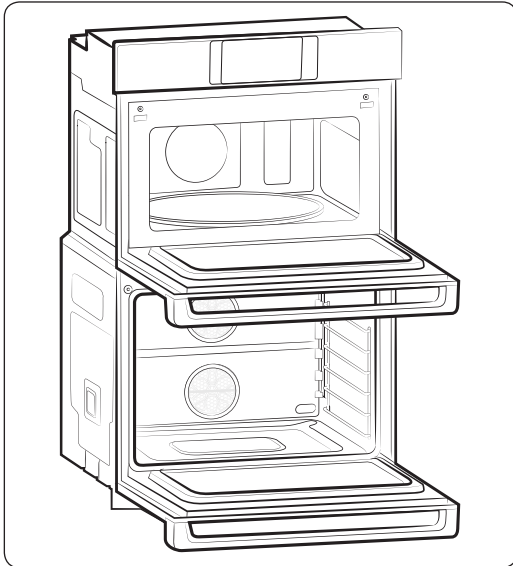
<b>Before you begin...</b>	<b>3</b>
Important	3
<b>Customer-service information</b>	<b>4</b>
If You Need Help...	4
<b>Important safety instructions</b>	<b>5</b>
Related equipment safety	5
Transport	5
<b>Installation requirements</b>	<b>8</b>
Checklist	8
Prepare to install the oven	9
Location requirements	10
Product dimensions - Combi. ovens	11
Cabinet dimensions - Combi. ovens	12
Electrical Connection	16
<b>Installation instructions</b>	<b>18</b>
Prepare built-in oven	18
Remove and replace oven door	19
Electrical connection	23
Install oven	27
Temp sensor & Heater check	29
<b>Troubleshooting</b>	<b>30</b>
Information codes	30

# Before you begin...

---

## Important

---



- The overall design and/or accessories may differ with the model.

### Installer

- To promote safety and minimize problems, read this manual thoroughly before starting the installation. Leave this manual with the user.
- Write the appliance's model/serial numbers in this manual for service/maintenance reference.

### User

- Keep this manual for personal reference and for that of inspectors, service personnel, etc.

# Customer-service information

---

## If You Need Help...

---

If you have questions or problems with installation, contact your Dacor® dealer or the Dacor Customer-Service team. If your Dacor appliance is under warranty, call Dacor Distinctive Service. Have the appliance's model/serial numbers available when you call.

### **Dacor Distinctive Service (repairs under warranty only)**

Phone: (800) 793-0093 ex. 2822 (U.S.A. and Canada)  
Monday – Friday 6:00 a.m. to 4:00 p.m. Pacific Time

### **Dacor Customer Service**

Phone: (800) 793-0093 ex. 2813 (U.S.A. and Canada)  
Monday – Friday 6:00 a.m. to 5:00 p.m. Pacific Time  
Web site: [www.dacor.com](http://www.dacor.com)

All specifications are subject to change without notice. Dacor assumes no liability for changes to specifications.

© 2017 Dacor, all rights reserved.

# Important safety instructions

---

## Related equipment safety

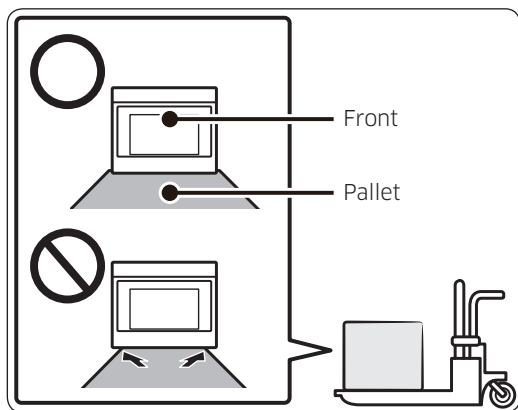
---

Remove all tape and packaging before using the appliance. Dispose of the packaging after unpacking the appliance. Never let children play with packaging material. Never modify the oven (e.g., do not remove panels, wire covers, or screws).

## Transport

---

To avoid damage to the oven vent, use the transport method shown in the picture below.



Support the bottom of the oven from either side when moving it to the installation site. Leave the unit attached to the pallet until it is in front of the cabinet opening and ready to be lifted into place.

### **⚠ DANGER**

#### **ELECTRICAL SHOCK HAZARD**

To avoid risk of electrical shock, personal injury, or death; verify your appliance is grounded according to local codes or in their absence, with the National Electrical Code (NEC). ANSI/NFPA 70-latest edition.

### **⚠ WARNING**

#### **MOVING HAZARD**

To avoid risk of severe personal injury; this appliance requires two or more people while handling and moving. Use of appliance moving devices is recommended.

# Important safety instructions

---

## **WARNING**

- The information in this manual should be followed exactly to avoid fire or electrical shock that may cause property damage, personal injury, or death.
- Save this manual for local electrical inspector's use.
- Ensure your appliance is properly installed and grounded by a qualified technician.
- New branch-circuit installations (1996 NEC), mobile homes, RVs, or installations where local codes prohibit grounding through the neutral conductor require 4-wire branch-circuit connection.
- Improper connection of aluminum house wiring to copper leads can cause an electrical hazard or fire. Use only connectors designed for joining copper to aluminum and follow the manufacturer's recommended procedure closely.
- Mounting screws must be used. Failure to do so can result in the oven falling out of the cabinet causing serious injury.

## **CAUTION**

- The cabinets and wall coverings around the oven must be able to withstand the heat (up to 194 °F [90 °C]) generated by the oven; otherwise, discoloration, delamination, or melting may occur.
- DO NOT remove spacers on the side walls of the built-in oven. The spacers center the oven in the space provided. The oven must be centered to prevent excess heat buildup that may result in heat damage or fire.

**⚠ WARNING**

Follow the information in this manual exactly; otherwise, fire or electrical shock may result causing property damage, personal injury, or death.

**IMPORTANT NOTE**

The installer shall ensure proper installation. Product failure due to improper installation is NOT covered under warranty.

**⚠ WARNING**

DO NOT put weight on the oven door. Never let anyone to climb, sit, stand, or hang on the oven door. The oven could tip, causing personal injury and property damage.

**⚠ WARNING**

Electricity must be off while the electrical connections are made. Failure to do so can result in severe personal injury or death.

**IMPORTANT NOTE**

- Observe all governing ordinances.
- The oven must be properly grounded.
- Do not block oven vents (bottom-front of the oven) or leave combustible or heat-sensitive items in front of them.

# Installation requirements

---

## Checklist

---

Use this checklist to verify that you have completed each step of the installation process:

1. Before installing the oven, verify the cabinet dimensions are correct and the required electrical connections are present.
2. See this manual's content regarding Safety, Cabinet Dimensions, Removing Packaging, Electrical Installation, Testing the Installation and Customer Service.
3. To lift the oven, hang the install handle onto the side hook of the unit.
4. Move the oven unit into place in front of the cabinet opening, leaving the bottom packaging on the unit to avoid damaging flooring.
5. Team-lift the unit directly into the cabinet cutout, avoiding personal injury.
6. Ensure the electrical conduit reaches to the connection point properly.
7. Slide the unit fully into place, while routing the electrical conduit correctly.
8. With a Phillips screwdriver and supplied screws, anchor the oven to the cabinetry opening.
9. Consult the complete installation instructions, and follow the other procedures listed, including verifying proper oven function.
10. All product literature and accessories are supplied (may be wrapped or boxed) with the oven.

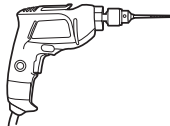


## Prepare to install the oven

### Tools you will need

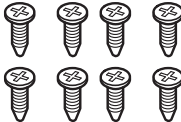


Phillips Screwdriver

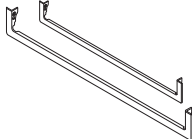


Drill

### Parts included

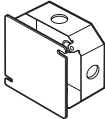


8 screws (M4 L16)  
8 Wood Screws For Mounting (6 screws needed for installation and 2 extra's)



30" (76.2 cm)  
Metal Bottom Trim

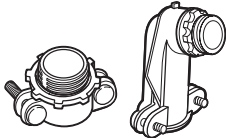
### Tools you will need



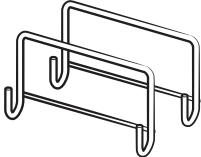
Junction Box



Wire Nuts



3/4" Conduit Connector



Install Handle

Installation requirements

# Installation requirements

---

## Location requirements

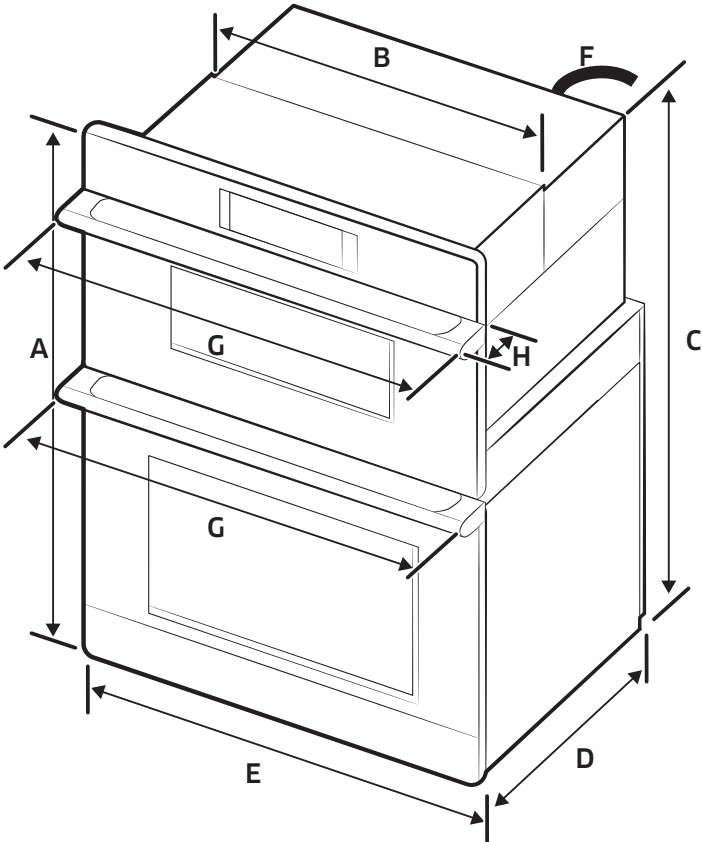
---

**IMPORTANT:** Observe all governing ordinances.

- Specified cabinet-opening dimensions are minimums and must be followed.
- Cabinet recess must completely enclose all but the oven face.
- Grounded electrical supply is required. (See **Electrical connection.**)
- Locate the junction box no more than 3" (7.6 cm) below the support platform. A 1" (2.5 cm) minimum diameter hole should be drilled in the right or left rear corner of the platform so the oven's power plug can access the junction box.
- The support platform must be solid, level, flush with bottom of cabinet cutout, and able to support 287 lb (130 kg).
- Install the oven at least 12" (30 cm) away from other appliances.

**IMPORTANT:** Check with your builder or cabinet supplier to ensure the materials used will not discolor, delaminate, or not be otherwise damaged. This oven is designed according to the requirements of UL and CSA International and complies with the maximum allowable wood cabinet temperatures of 194 °F (90 °C).

**Product dimensions - Combi. ovens**



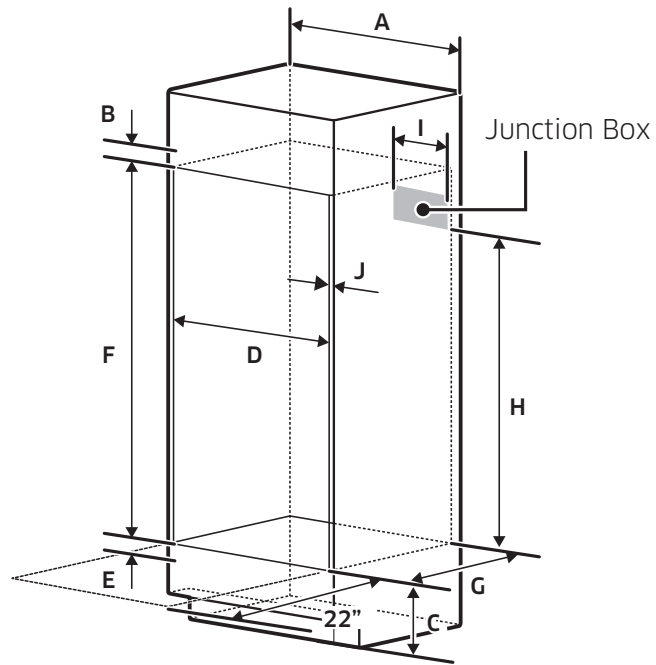
DIMENSION		
A	43 <sup>3</sup> / <sub>8</sub> " (110.2 cm)	Overall height
B	28 <sup>1</sup> / <sub>2</sub> " (72.4 cm)	Recessed width
C	42" (106.7 cm)	Recessed height
D	23 <sup>1</sup> / <sub>8</sub> " (58.7 cm)	Recessed depth
E	29 <sup>3</sup> / <sub>4</sub> " (75.6 cm)	Door Width
F	67" (170 cm)	Conduit length
G	30" (75.7 cm)	Overall width (Handle width)
H	2 <sup>1</sup> / <sub>4</sub> " (5.6 cm)	Handle Depth

Installation requirements

# Installation requirements

## Cabinet dimensions - Combi. ovens

### Combi Ovens Installed in Cabinet (Standard)

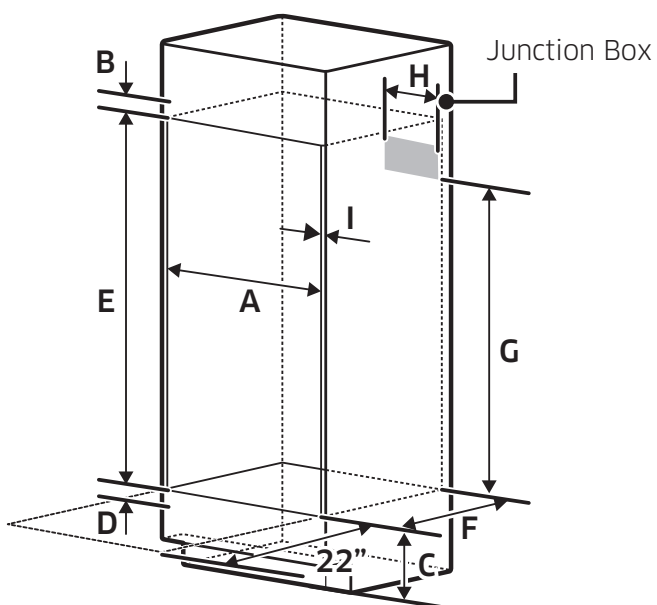


Allow a minimum of 22" for clearance to adjacent corners, drawers, walls, etc. when door is open

CABINET	DIMENSION
A	30" (76.2 cm)
B	Min 1 <sup>3</sup> / <sub>16</sub> " (3.0 cm)
C	12" (30.5 cm)
D	Min 28 <sup>5</sup> / <sub>8</sub> " / Max 28 <sup>3</sup> / <sub>4</sub> " (Min 72.7 cm / Max 73.0 cm)
E	Min 1" / Max 1 <sup>1</sup> / <sub>4</sub> " (Min 2.5 cm / Max 3.2 cm)
F	42 <sup>1</sup> / <sub>4</sub> " (107.3 cm)
G	Min 23 <sup>1</sup> / <sub>2</sub> " (Min 59.7 cm)
H	Min 30 <sup>1</sup> / <sub>2</sub> " (Min 77.5 cm)
I	Max. 9 <sup>1</sup> / <sub>2</sub> " (Max. 24.1 cm) - Junction Box
J	Min. 1 <sup>1</sup> / <sub>16</sub> " (1.75 cm) - Wooden cabinet thickness

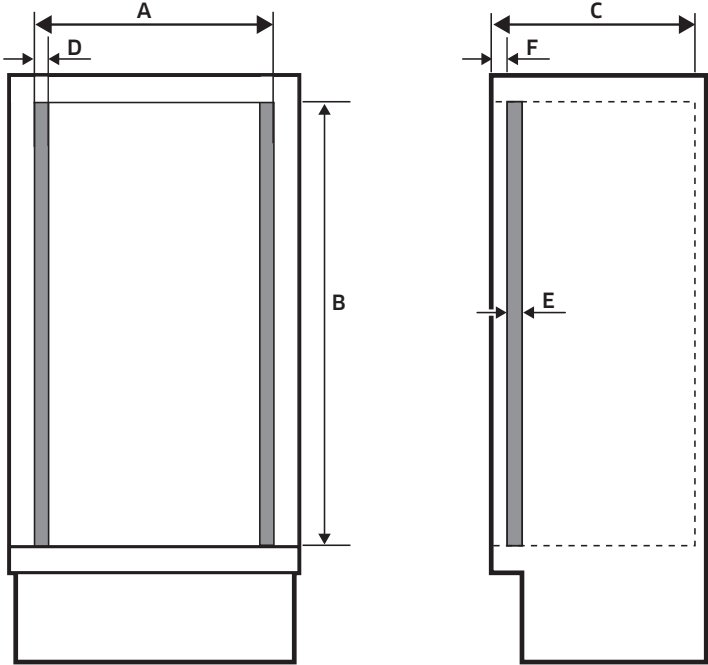
## Combi Ovens Installed in Cabinet (Flush)

Allow a minimum of 22" for clearance to adjacent corners, drawers, walls, etc. when door is open



CABINET	DIMENSION
A	Min 30 <sup>3</sup> / <sub>16</sub> " / Max 30 <sup>5</sup> / <sub>16</sub> " (Min 76.7 cm / Max 77.0 cm)
B	Min 1 <sup>3</sup> / <sub>16</sub> " (3.0 cm)
C	12" (30.5 cm)
D	Min 1" / Max 1 <sup>1</sup> / <sub>4</sub> " (Min 2.5 cm / Max 3.2 cm)
E	43 <sup>11</sup> / <sub>16</sub> " (110.9 cm)
F	Min 24 <sup>13</sup> / <sub>16</sub> " (Min 63.0 cm)
G	Min 30 <sup>1</sup> / <sub>2</sub> " (Min 77.5 cm)
H	Max. 9 <sup>1</sup> / <sub>2</sub> " (Max. 24.1 cm) - Junction Box
I	Min. 1 <sup>1</sup> / <sub>16</sub> " (1.75 cm) - Wooden cabinet thickness

# Installation requirements



CABINET	DIMENSION	
A	30 <sup>1</sup> / <sub>4</sub> " (76.8 cm)	Width
B	43 <sup>11</sup> / <sub>16</sub> " (110.9 cm)	Height
C	24 <sup>13</sup> / <sub>16</sub> " (63.02 cm)	Depth
D	1 <sup>3</sup> / <sub>16</sub> " (2.06 cm)	Cleat Width
E	1 <sup>1</sup> / <sub>16</sub> " (1.75 cm)	Cleat Depth
F	1 <sup>5</sup> / <sub>16</sub> " (3.3 cm)	Cleat Position

Installation requirements

If codes permit and a separate ground wire is used, a qualified electrical installer should confirm that the ground path and wire gauge comply with local codes. Check with a qualified electrical installer if you are unsure the oven is properly grounded.

The oven must be connected to a grounded-metal, permanent wiring system.

Ensure the electrical connection and wire size are adequate and comply with the National Electrical Code, ANSI/NFPA 70-latest edition or CSA Standards C22.

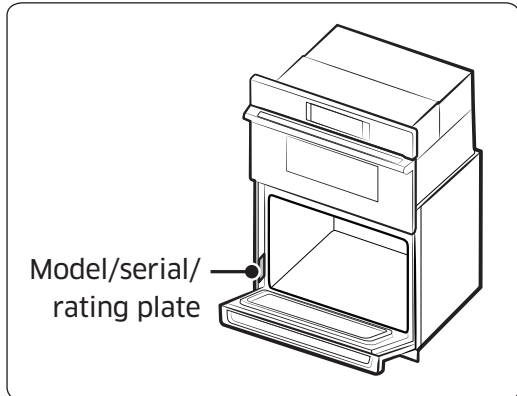
1-94, Canadian Electrical Code, Part 1 and C22.2 No. O-M91-latest edition, and all local codes. A copy of these code standards can be obtained from:

- National Fire Protection Association  
1 Batterymarch Park  
Quincy, MA 02169-7471
- CSA International  
8501 East Pleasant Valley Road  
Cleveland, OH 44131-5575

# Installation requirements

## Electrical Connection

To properly install your oven, you must determine the type of electrical connection you will be using and follow the instructions provided in this manual.



The oven must be connected to the electrical voltage and frequency specified on the model/serial/rating plate. (See left the graphic for location.)

- A circuit breaker is recommended.
- Use this chart to decide the minimum recommended dedicated circuit protection:

KW Rating (240 V)	KW Rating (208 V)	Recommended Circuit Size (Dedicated)
≤4.8 KW	≤4.1 KW	20 Amp
4.9 KW - 7.5 KW	4.3 KW - 6.2 KW	30 Amp
7.3 KW - 9.6 KW	6.3 KW - 8.3 KW	40 Amp
9.7 KW - 12.0 KW	8.4 KW - 10.4 KW	50 Amp



- Connect directly to the circuit-breaker box (or fused disconnect) through the flexible, armored or nonmetallic sheathed, copper cable with grounding wire. (See **Electrical connection.**)
- Flexible conduit from the oven should be connected directly to the junction box.
- Fuse both sides of the line.
- Do not cut the conduit. The conduit length lets the oven be pulled out for service.
- A UL-listed or CSA-approved conduit connector must be provided.
- If the house has aluminum wiring:
  - connect a section of solid copper wire to the ends of the flexible conduit leads.
  - connect the aluminum wiring to the added section of copper wire using special connectors/tools designed and UL-listed for joining copper to aluminum.
- Follow the electrical connector manufacturer’s recommended procedure. Aluminum/copper connection must comply with local codes and industry-accepted wiring practices.

**For power requirement for model DOC30M977D refer to the following table.**

Model	240 VAC	208 VAC
DOC30M977D*	8.9 kW	6.7 kW

# Installation instructions

---

## Prepare built-in oven

---

### **WARNING**

#### **Excessive Weight Hazard**

To avoid personal injury and property damage, at least two people should move and install an oven.

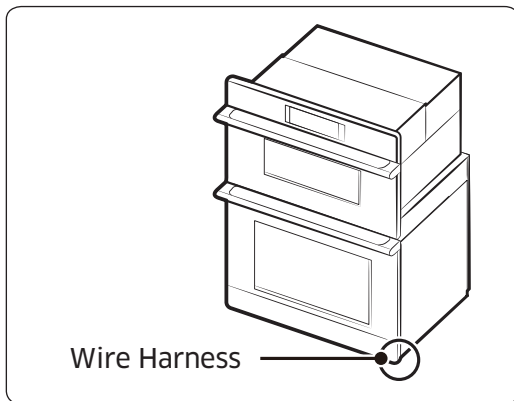
1. Avoid drilling or cutting into house wiring during installation.
2. To avoid floor damage, set the oven on a cardboard pad. Do not lift by any part of the frame or handle.
3. Remove the shipping material and tape. Keep the packing material needed for installation.
4. Remove the hardware package from the bag containing literature.
5. Remove racks, etc. from the oven chamber.
6. Move oven and cardboard close to the installation site.

## Remove and replace oven door

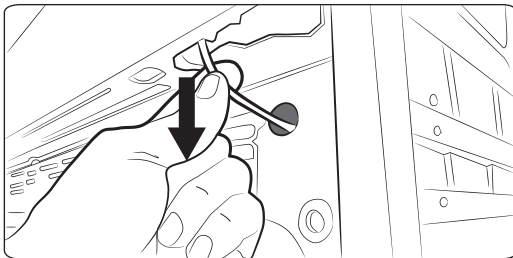
**IMPORTANT:** Use two hands to remove the lower oven door. (The microwave-oven door is not removable.)

Before removing the oven door, lay out a soft blanket or packaging material on a flat, sturdy surface where you can lay the door.

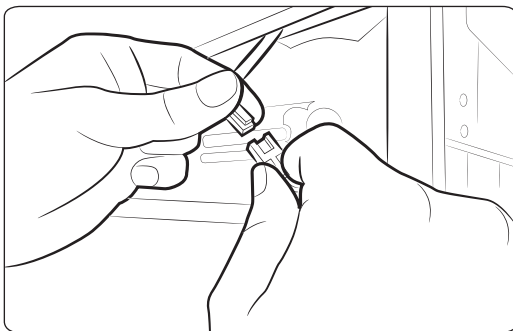
### Disconnect LED light wire harness



Locate the LED wire harness and disconnect it before removing the door.



1. Carefully pull the wire to reveal the connector.



2. Disconnect the connector.

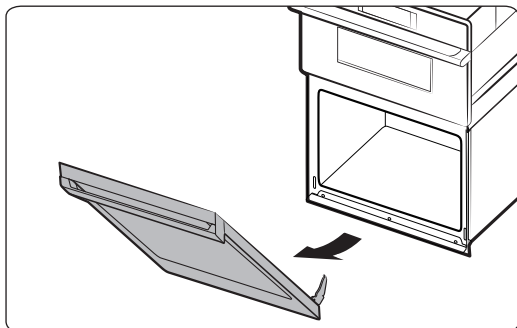
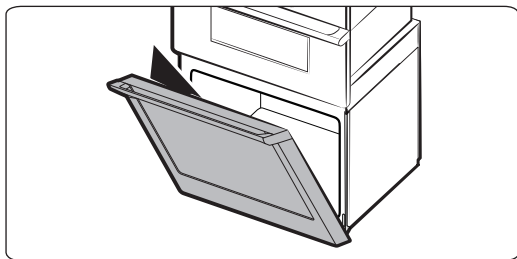
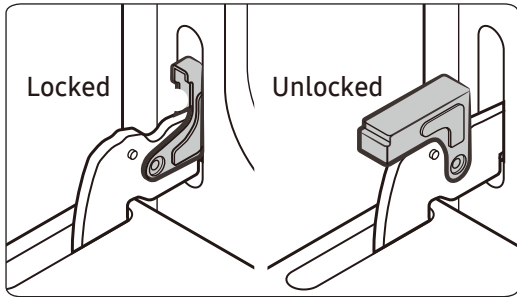
#### **NOTE**

When installing the unit, install the bottom trim before reinstalling the door. (See **Install oven.**)

# Installation instructions

---

## Remove the lower oven door

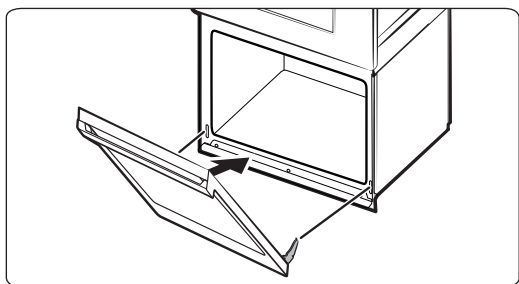
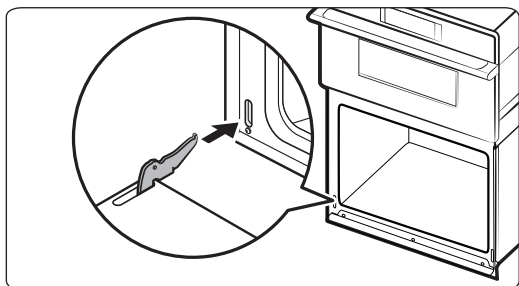


1. Open the oven door.
2. Find the door hinge locks in the bottom corners of the door, and flip the hinge locks out-down to the unlocked position (see left). If the locks are not fully out, the door will not remove properly.
3. Partially close the door to engage the hinge locks.  
The door will stop at this point.
4. Grasp both sides of the door below the handle; pull the door up and away from the oven. (Gently rock the door side to side as needed.)
5. Set the door, handle down, on the covered surface you prepared.
6. Go to **Electric connection**.

## Replace oven door

### **⚠ CAUTION**

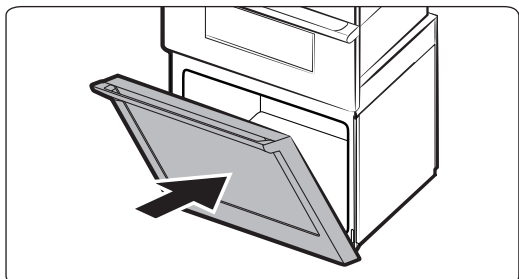
You may need help lifting the heavy door to slide it into the hinge slots. Do not lift by the handle.



1. Grasp both sides of the door below the handle.
2. At a 45° angle, align the door hinges with the slots in the bottom corners of the oven chassis.
3. Maintaining a 45° angle, slowly insert the door. A slight drop indicates the door is engaged in the slots.

# Installation instructions

---



4. Open the door all the way flat. If the door does not open a full 90°, repeat Steps 1 – 3.
5. Flip the hinge locks up-in to the locked position. (See top graphic, pg. 20.)
6. Close the oven door.
7. If the gap between upper and lower doors is uneven, remove and reinstall door. (See **Remove the lower oven door**, pg. 20.)
8. Reconnect the LED wire harness at the bottom right of the door.

## Electrical connection

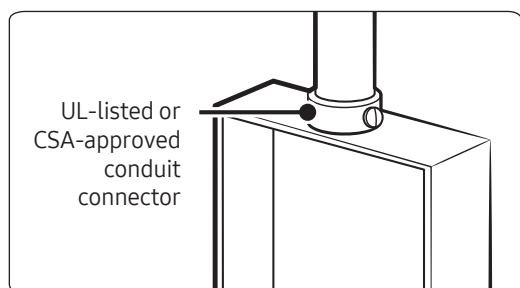
---

### **⚠ WARNING**

#### **Electrical Shock Hazard**

- Disconnect power before servicing.
- Use 8-gauge, solid-copper wire.
- Ground the oven.

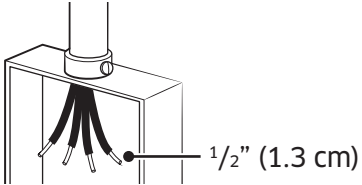
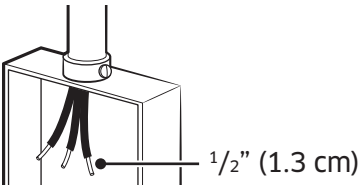
Failure to follow these instructions can cause electrical shock, fire, or death. This oven is manufactured with a neutral (white) power supply wire and a cabinet-connected ground (green or bare) wire twisted together.



1. Disconnect power.
2. Feed the flexible conduit from the oven through the opening in the cabinet.
3. Remove the junction box cover, and install a UL-listed or CSA-approved conduit connector to the junction box.
4. Route the oven's flexible conduit to the junction box through a UL-listed or CSA-approved conduit connector.
5. Tighten conduit connector screws.
6. See the chart on pg. 24 to complete installation for your electrical connection.

# Installation instructions

## Electrical Connection Options Chart

If your home has:	Go to section:
 <p>1/2" (1.3 cm)</p>	4-Wire Cable from Home Power Supply
 <p>1/2" (1.3 cm)</p>	3-Wire Cable from Home Power Supply

### **WARNING**

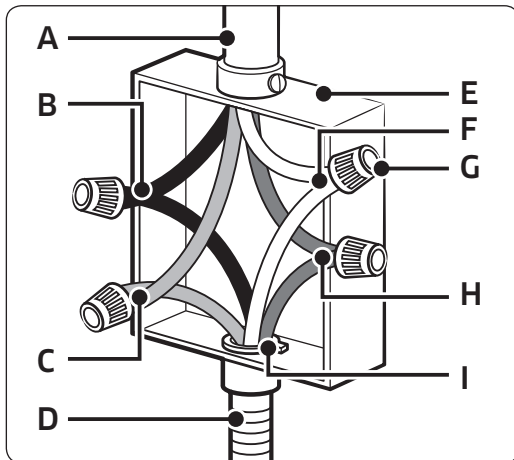
#### **Electrical Shock Hazard**

- Disconnect power before servicing.
- Use 8-gauge solid copper wire.
- Electrically ground oven.
- Failure to follow these instructions can result in death, fire, or electrical shock.



### 4-Wire Cable from Home Power Supply

**IMPORTANT:** Use the 4-wire cable from home power supply in the U.S. where local codes do not allow grounding through neutral, New Branch circuit installations (1996 NEC), mobile homes and recreational vehicles, new construction, and in Canada.



1. Connect the 2 black wires (B) with a UL-listed wire connector.
2. Connect the 2 red wires (C) with a UL-listed wire connector.
3. Connect the 2 white wires (F) with a UL-listed wire connector.
4. Connect the green (bare) ground wire (H) from the oven cable to the green (bare) ground wire in the junction box with a UL-listed wire connector.
5. Install the junction-box cover.

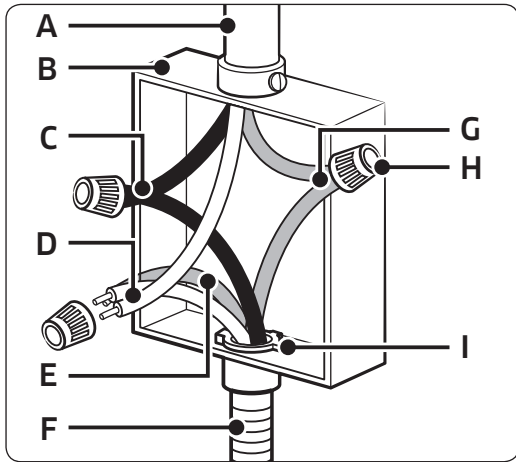
- A. Cable from home power supply
- B. Black wires (normally L1)
- C. Red wires (normally L2)
- D. 4-wire flexible conduit from oven
- E. Junction box
- F. White wires (normally N-neutral)
- G. UL listed wire connectors
- H. green wires (normally G-ground)
- I. UL-listed or CSA-approved conduit connector

# Installation instructions

---

## 3-Wire Cable from Home Power Supply - U.S. Only

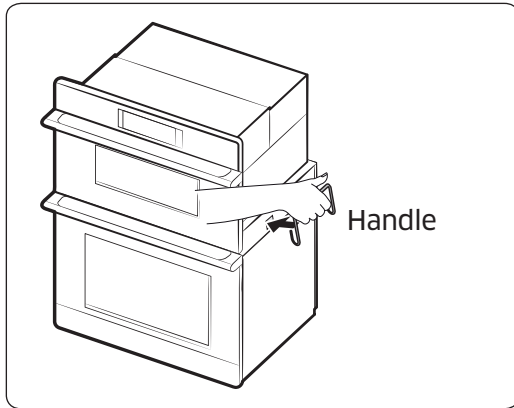
**IMPORTANT:** Use the 3-wire cable from the home power supply where codes permit a 3-wire connection.



1. Connect the 2 black wires (C) with a UL-listed wire connector.
2. Connect the 2 white wires (D) and the oven's green (bare) ground wire with a UL-listed wire connector.
3. Connect the 2 red wires (G) with a UL-listed wire connector.
4. Install the junction-box cover.

- A. Cable from home power supply
- B. Junction box
- C. Black wires (normally L1)
- D. White wires (normally N-neutral)
- E. green wires (normally G-ground)
- F. 4-wire flexible conduit from oven
- G. Red wires (normally L2)
- H. UL listed wire connectors
- I. UL-listed or CSA-approved conduit connector

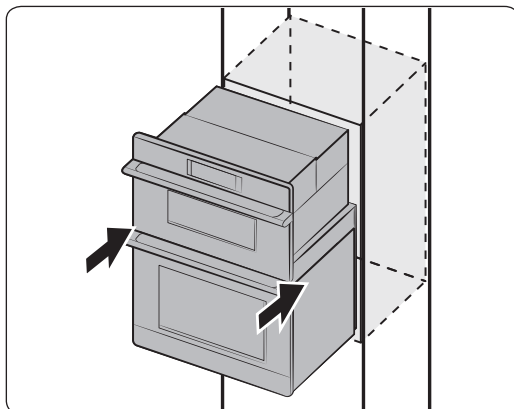
## Install the oven



1. Using 2 or more people, lift the oven partially into the cabinet cutout. Use the handle as shown.

### NOTE

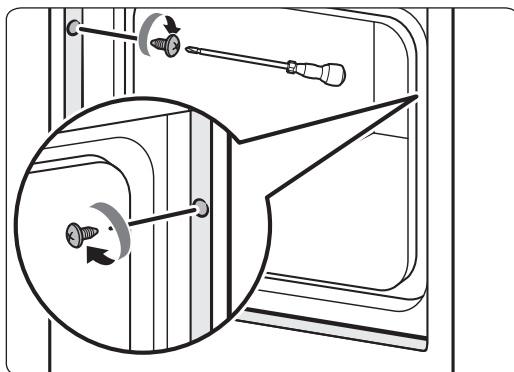
- Carefully push on front oven frame.
- Remove the install handles.



2. Pushing on the seal area of the front frame, slide the oven into the cabinet until the back of the front frame touches the cabinet front wall.

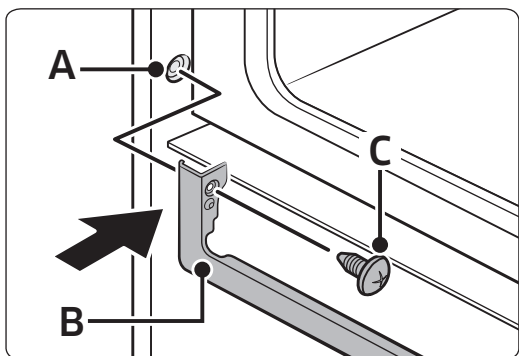
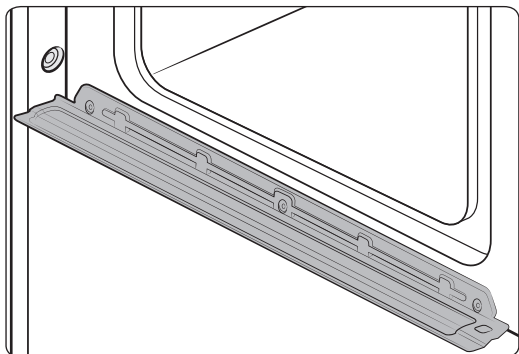
### CAUTION

Do not push the upper oven (to prevent radio frequency leakage.)

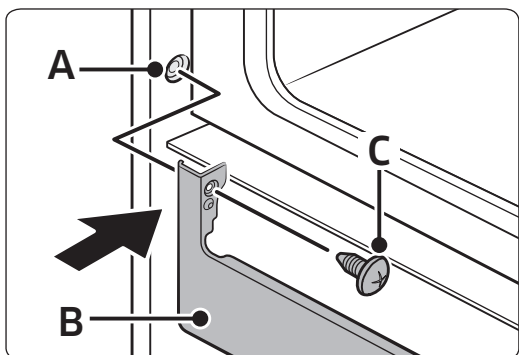


3. Center the oven in the cabinet cutout.
4. Peel the tape from the front trims.
  - With the provided screws, securely fasten the oven to the cabinet.
  - Insert the screws through holes in trim aligned with holes in lower oven frame. (Do not overtighten screws.)

# Installation instructions



- A. Trim Left
- B. Trim Bottom
- C. Screw



- A. Trim Left
- B. Trim Bottom Large
- C. Screw

## **⚠ WARNING**

When inserting the oven, use caution not to deform or damage the barrier underneath.

5. The bottom metal trim pieces are shipped in the foam packing. To install the metal bottom trim:
  - Align the tab of the trim with a hole in the left side trim of the unit as shown. Repeat on the right side.
  - Using one screw on each side of the trim tab, secure the trim to the oven.

## **⚠ CAUTION**

Lower oven door should be removed, before fastening the trim.

6. If the cutout size is larger than 1.5 inches use of the wider bottom trim is recommended.

## **📄 NOTE**

The upper oven can be fixed with 4 screws, and the lower oven with 2 screws.

## Temp sensor & Heater check

1. After connecting the power, check the display function.
2. Remove all accessories from the oven chamber.
3. You cannot proceed with self-diagnosis if the oven chamber is hot or the door is open. (In either case **Hot or door** appears on the display.)
4. To start self-diagnosis, touch-hold the hidden keys simultaneously for 5 seconds. (Self-diagnosis takes about 5 minutes.)

Model	DOC30M977D*
Control panel	
Hidden Key	MICROWAVE + LOWER OVEN

5. If there is no error, PASS appears on the display with an alert sound.
6. If there is an error, a message appears on the display with an alert sound.

Model		DOC30M977D*	
		Error code	Remark
Feature	Lower Broil	H-4	Lower Oven Only
	Lower Bake	H-3	

7. If an error occurs, contact a Dacor service center for further service.

### NOTE

If it shows a message other than the ones listed above, please contact a Dacor service center. (See pg. 4.)

# Troubleshooting

## Information codes

Displayed code	Reason	Solution
C-d0	Occurs if control key is short for 1 min.	Wipe/dry the control screen; turn off the oven and try again; if the issue persists, call a Dacor service center.
C-d1	Occurs if door lock is mispositioned.	Touch PAUSE/OFF and OFF, and restart oven. If issue persists, disconnect power to oven for at least 30 seconds, and reconnect; if issue remains, call for service.
C-F0	Occurs if communication between Main and Sub PBA is interrupted.	
C-F2	Occurs if communication between Main and Touch is interrupted.	
C-20	Oven sensor is open when oven operates.	
	Oven sensor is short when oven operates.	
C-21	Occurs if the internal temperature rises abnormally high.	
C-23	Temp probe sensor is short when oven operates.	
C-30	The PCB sensor is open when the oven is operating.	
	The PCB sensor is short when the oven is operating.	
C-31	Occurs if PCB temperature rises abnormally high.	
C-70	Steam sensor is open when oven operates.	Touch PAUSE/OFF and OFF, and restart oven; if issue persists, disconnect power to oven for at least 30 seconds, and reconnect; if issue remains, call for service.
	Steam sensor is short when oven operates.	
C-72	Drain-system problems.	
C-A2	Cooling motor is abnormally operated.	Call for service.

# Memo

---



DE68-04479A-01

***dacor***<sup>®</sup>



***dacor***<sup>®</sup>

Instrucciones de instalación

Horno Modernist combinado de microondas empotrable  
DOC30M977D\*

# Contenido

---

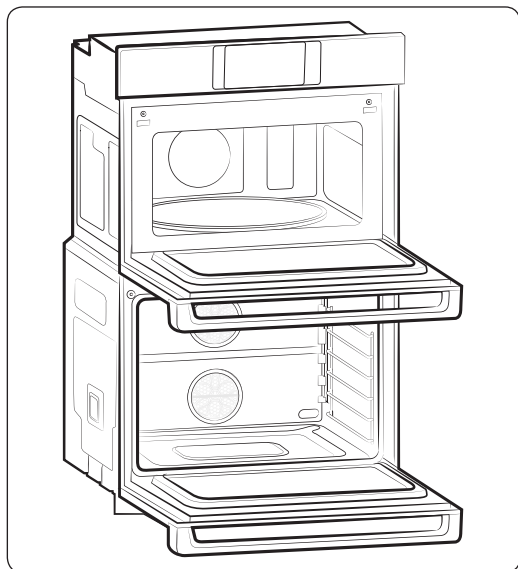
<b>Antes de comenzar...</b>	<b>3</b>
Importante	3
<b>Información de atención al cliente</b>	<b>4</b>
Si necesita ayuda...	4
<b>Instrucciones de seguridad importantes</b>	<b>5</b>
Seguridad de los equipos relacionados	5
Transporte	5
<b>Requisitos de instalación</b>	<b>8</b>
Lista de verificación	8
Preparación para instalar el horno	9
Requisitos de ubicación	10
Dimensiones del producto - hornos combinados	11
Dimensiones del gabinete - hornos combinados	12
Conexión eléctrica	16
<b>Instrucciones de instalación</b>	<b>18</b>
Preparar el horno empotrado	18
Retirar y reemplazar la puerta del horno	19
Conexión eléctrica	23
Cómo instalar el horno	27
Sensor de temperatura y control del calentador	29
<b>Resolución de problemas</b>	<b>30</b>
Códigos de información	30

# Antes de comenzar...

---

## Importante

---



- El diseño general y/o los accesorios pueden diferir dependiendo del modelo.

### Instalador

- A fin de promover la seguridad y minimizar problemas, lea este manual detenidamente antes de iniciar la instalación. Deje este manual al usuario.
- Escriba el modelo/número de serie del electrodoméstico en este manual para referencia en caso de servicio/mantenimiento.

### Usuario

- Conserve este manual para referencia personal y para referencia de inspectores, personal de servicio, etc.

# Información de atención al cliente

---

## Si necesita ayuda...

---

Si desea hacer alguna pregunta o tiene un problema con la instalación, comuníquese con su distribuidor de Dacor® o con el equipo de Atención al cliente de Dacor. Si su electrodoméstico Dacor se encuentra en garantía, comuníquese con Dacor Distinctive Service. Tenga el modelo/ número de serie del electrodoméstico a mano al llamar.

### **Dacor Distinctive Service (solo para reparaciones de electrodomésticos en garantía)**

Teléfono: (800) 793-0093 int. 2822 (EE.UU. y Canadá)

Lunes a viernes de 6:00 a.m. a 4:00 p.m. Hora del Pacífico

### **Servicio de atención al cliente de Dacor**

Teléfono: (800) 793-0093 int. 2813 (EE.UU. y Canadá)

Lunes a viernes de 6:00 a.m. a 5:00 p.m. Hora del Pacífico

Sitio web: [www.dacor.com](http://www.dacor.com)

Todas las especificaciones están sujetas a cambios sin previo aviso. Dacor no asume responsabilidad alguna por los cambios en las especificaciones.

© 2017 Dacor, todos los derechos reservados.

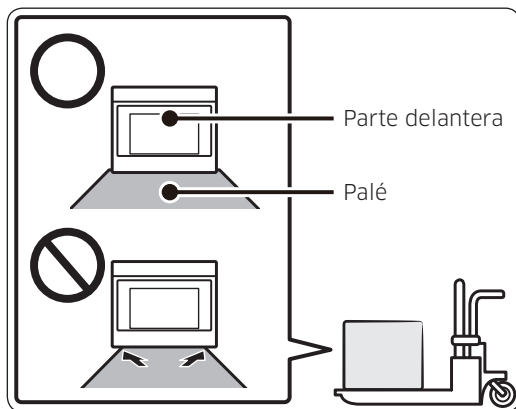
# Instrucciones de seguridad importantes

## Seguridad de los equipos relacionados

Retire toda la cinta y el empaque antes de usar el artefacto. Deseche el empaque luego de quitar el artefacto. Nunca deje que los niños jueguen con el material de empaque. Nunca modifique o altere la construcción del artefacto. Por ejemplo, no quite paneles, portacables o tornillos.

## Transporte

Utilice el método de transporte que se ilustra a continuación a fin de evitar que se dañe la ventilación del horno.



Sostenga la parte inferior del horno de ambos lados al desplazarlo hacia su ubicación de instalación. Deje la unidad en el palé de envío hasta que esté frente a la abertura del gabinete y esté listo para colocarlo en su lugar.

## **⚠ PELIGRO**

### **PELIGRO DE ELECTROCUCIÓN**

Para evitar el riesgo de electrocución, lesiones físicas o la muerte, verifique que el artefacto esté conectado a tierra correctamente de conformidad con los códigos locales o, en su ausencia, con el Código eléctrico nacional (NEC). Versión más reciente de ANSI/NFPA 70.

## **⚠ ADVERTENCIA**

### **PELIGRO DURANTE EL TRASLADO**

Este artefacto requiere de dos o más personas para manipularlo o trasladarlo a fin de evitar el riesgo de sufrir lesiones personales graves. Se recomienda el uso de dispositivos para el transporte del artefacto.

# Instrucciones de seguridad importantes

---

## **ADVERTENCIA**

- La información de este manual debe seguirse rigurosamente.
  - De lo contrario, podrían producirse incendios o descargas eléctricas causantes de daños a la propiedad, lesiones personales, o la muerte.
- Importante: Conserve este manual de instalación para que pueda ser consultado por el inspector del servicio eléctrico de su localidad.
- Asegúrese de que su electrodoméstico sea correctamente instalado y conectado a tierra por un técnico calificado.
- Las nuevas construcciones de circuitos ramales (1996 NEC), casas rodantes, vehículos recreativos e instalaciones donde los códigos locales prohíben la conexión a tierra mediante el conductor neutro, requieren conexiones de circuitos ramales de 4 conductores.
- Si el cableado de aluminio de la casa no se conecta adecuadamente a los cables de cobre podría existir riesgo de electrocución o incendio. Solo utilice conectores diseñados para unir cobre con aluminio y siga el procedimiento recomendado por el fabricante del conector.
- Se deben utilizar tornillos de montaje.
  - De lo contrario, el horno podría caerse del gabinete y ocasionar lesiones graves.

## **PRECAUCIÓN**

- Asegúrese de que los gabinetes y los revestimientos de las paredes alrededor del horno puedan soportar las temperaturas (hasta 194 °F [90 °C]) que este genera.
  - Se podrían producir alteraciones de color, deslaminación o derretimiento.
- NO quite los separadores de las paredes laterales del horno empotrado.
  - Estos centran el horno en el espacio provisto. El horno debe estar centrado para evitar la acumulación excesiva de calor que puede provocar daños o incendios.

### **⚠ ADVERTENCIA**

- La información de este manual debe seguirse rigurosamente.
  - De lo contrario, podrían producirse incendios o descargas eléctricas causantes de daños a la propiedad, lesiones personales, o la muerte.

### **NOTA IMPORTANTE**

La instalación adecuada es responsabilidad del instalador y la falla del producto debido a una instalación inadecuada no está cubierta por la Garantía.

### **⚠ ADVERTENCIA**

- NO coloque ningún peso sobre la puerta del horno. Nunca nadie se debe trepar, sentar, parar o colgar de la puerta del horno.
  - El horno podría inclinarse y producir lesiones ya sea por los alimentos calientes o el mismo horno.

### **⚠ ADVERTENCIA**

- Cuando se realizan las conexiones eléctricas, la alimentación eléctrica debe estar cortada.
  - De lo contrario, se podrían producir lesiones personales graves, descargas eléctricas o la muerte.

### **NOTA IMPORTANTE**

- Cumpla todos los códigos y ordenanzas exigidos por las autoridades pertinentes. Este electrodoméstico debe conectarse a tierra correctamente.
- Mantenga los conductos de ventilación del horno libres de obstrucciones. La abertura de ventilación del horno está ubicada en la parte inferior del horno. Esta área podría calentarse durante el uso del horno. Nunca tapone esta abertura de ventilación ni coloque elementos de plástico o sensibles al calor frente a dicha abertura.

# Requisitos de instalación

---

## Lista de verificación

---

Use esta lista de verificación para comprobar que ha completado todos los pasos del proceso de instalación. Esto puede ayudarlo a evitar errores.

1. Antes de instalar el horno, asegúrese de verificar que las dimensiones del gabinete sean las adecuadas para la unidad y que las conexiones eléctricas necesarias estén presentes.
2. Consulte el manual de instalación para ver contenido sobre Seguridad, Dimensiones del gabinete, Desempaque, Instalación eléctrica, Prueba de la instalación y Servicio al Cliente.
3. Para levantar el horno, cuelgue la manija de instalación en el gancho lateral de la unidad.
4. Coloque el horno frente a la abertura del gabinete, dejando el empaque inferior en la unidad para evitar dañar el piso.
5. Levante la unidad con ayuda de otras personas y colóquela directamente en el recorte del gabinete cuidando de no agarrarse los dedos o raspase las manos o los brazos. Asegúrese de que el conducto eléctrico alcance bien el punto de conexión.
6. Deslice la unidad hasta el lugar deseado asegurándose de ir llevando el conducto eléctrico correctamente.
7. Ajuste el horno a la abertura del gabinete con los tornillos provistos (usando un destornillador Philips).
8. Consulte las instrucciones de instalación completas y siga el resto de los procedimientos indicados, incluida la prueba de funcionamiento.
9. Junto con el horno, se suministran las instrucciones del producto y los accesorios (envueltos o en caja).
10. **INSTALADOR:** Las instrucciones y los accesorios deben quedar en manos del cliente.



## Preparación para instalar el horno

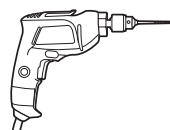
---

### Herramientas necesarias



---

Destornillador Phillips



---

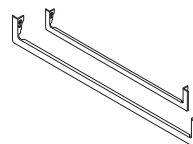
Taladro

### Piezas incluidas



---

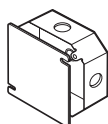
8 tornillos (M4 L16)  
8 tornillos de montaje para madera  
(6 tornillos necesarios para la instalación  
y 2 adicionales)



---

30" (76.2 cm)  
Borde inferior de metal

### Herramientas necesarias



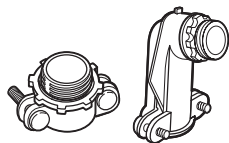
---

Caja de empalmes



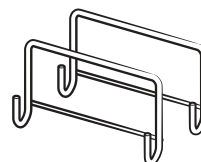
---

Conectores de torsión



---

Conector de conducto de 3/4"



---

Manija de instalación  
(solo para horno doble)

# Requisitos de instalación

---

## Requisitos de ubicación

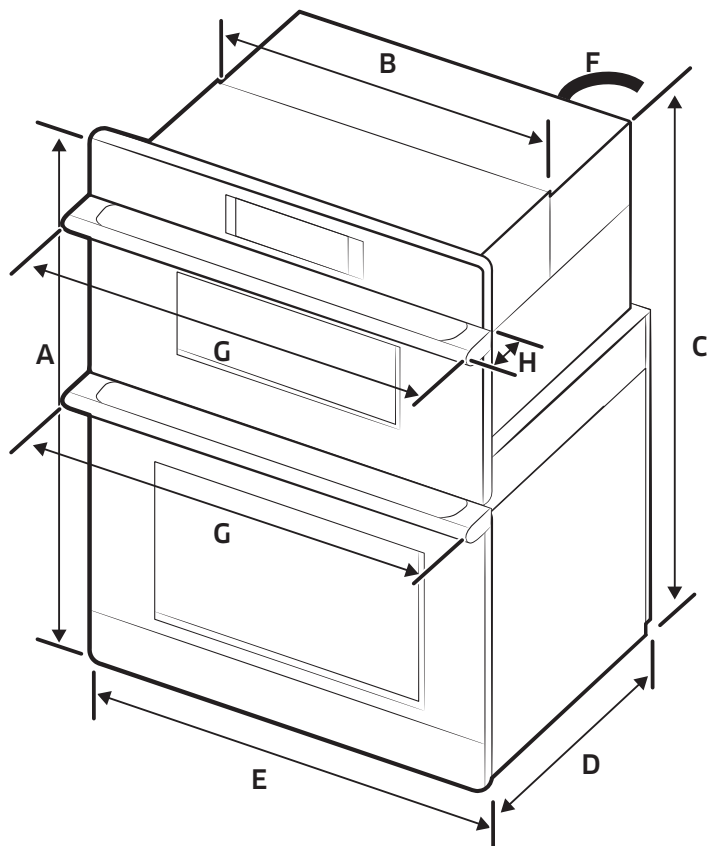
---

**IMPORTANTE:** Cumpla todos los códigos y ordenanzas exigidos por las autoridades pertinentes.

- Se deben utilizar las dimensiones de abertura de los gabinetes que se muestran. Las dimensiones provistas ofrecen una separación mínima con el horno.
- El área de instalación empotrada debe proveer un recinto cerrado alrededor de la porción empotrada del horno.
- Se requiere un suministro eléctrico con conexión a tierra. Consulte la sección “Conexión eléctrica”.
- Cuando el horno está instalado en un gabinete de pared, la caja de empalmes del suministro eléctrico debe ubicarse como máximo 3” (7.6 cm) por debajo de la superficie de apoyo. Debe haber realizado un orificio de 1” (2.5 cm) de diámetro como mínimo en la esquina trasera derecha o izquierda de la superficie de apoyo para pasar el cable del artefacto y conectarlo a la caja de empalmes.
- La superficie de apoyo del horno debe ser sólida, nivelada y estar a nivel con la parte inferior del recorte del gabinete.
- El piso debe ser capaz de soportar un horno combinado de 287 lb (130 kg).
- Instale el HORNO COMBINADO a una distancia mínima de 12” (30 cm) de otros artefactos.

**IMPORTANTE:** Para evitar dañar sus gabinetes, verifique con el constructor o distribuidor de gabinetes para asegurarse de que los materiales utilizados no se descoloren, se descascaren o puedan sufrir otros daños. Este horno ha sido diseñado de acuerdo con los requisitos de UL y CSA International, y cumple con las temperaturas para gabinetes de madera máximas permitidas de 194 °F (90 °C).

## Dimensiones del producto - hornos combinados

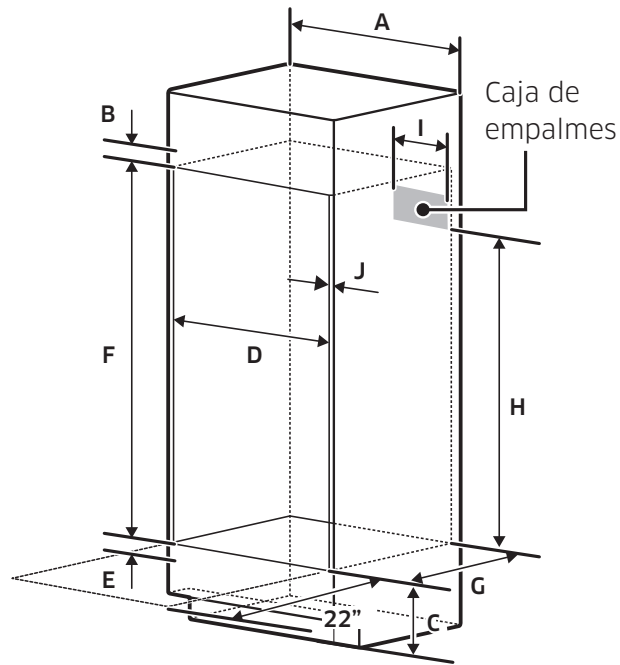


DIMENSIONES		
A	43 <sup>3</sup> / <sub>8</sub> " (110.2 cm)	Altura total
B	28 <sup>1</sup> / <sub>2</sub> " (72.4 cm)	Ancho empotrado
C	42" (106.7 cm)	Altura empotrada
D	23 <sup>1</sup> / <sub>8</sub> " (58.7 cm)	Profundidad empotrada
E	29 <sup>3</sup> / <sub>4</sub> " (75.6 cm)	Ancho de la puerta
F	67" (170 cm)	Longitud del conducto
G	30" (75.7 cm)	Ancho total (ancho manija)
H	2 <sup>1</sup> / <sub>4</sub> " (5.6 cm)	Profundidad de la manija

# Requisitos de instalación

## Dimensiones del gabinete - hornos combinados

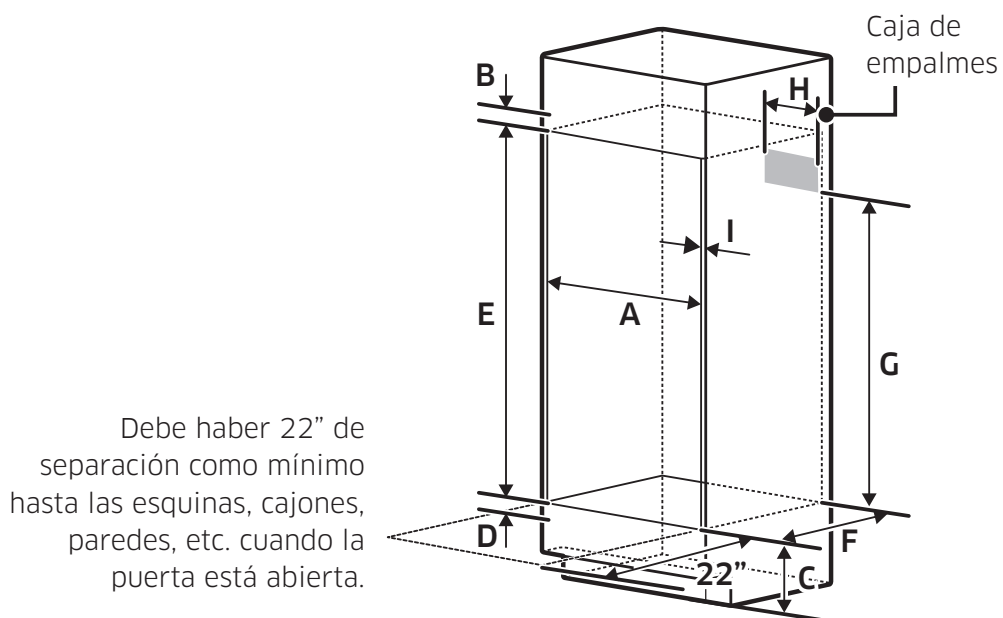
### Hornos combinados instalados en gabinete (estándar)



Debe haber 22" de separación como mínimo hasta las esquinas, cajones, paredes, etc. cuando la puerta está abierta.

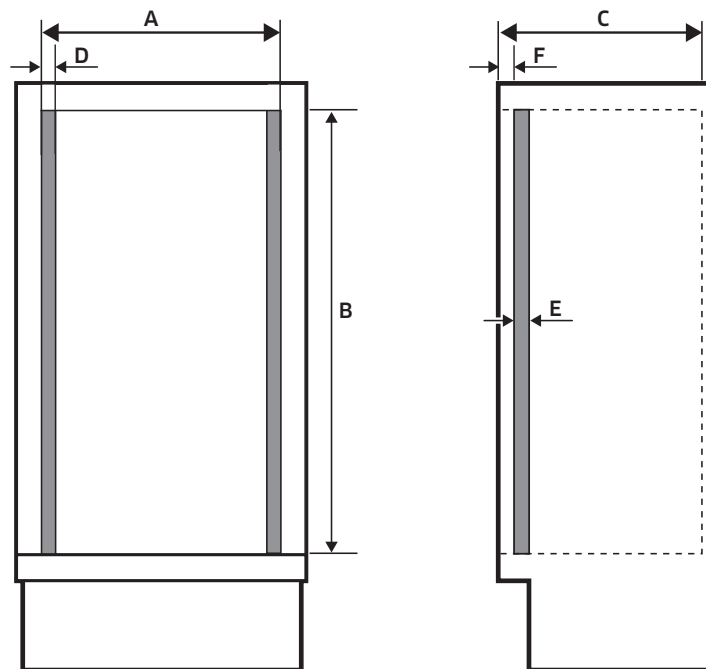
GABINETE	DIMENSIONES
A	30" (76.2 cm)
B	Mín. 1 <sup>3</sup> / <sub>16</sub> " (3.0 cm)
C	12" (30.5 cm)
D	Mín. 28 <sup>5</sup> / <sub>8</sub> " / Máx. 28 <sup>3</sup> / <sub>4</sub> " (Mín. 72.7 cm / Máx. 73.0 cm)
E	Mín. 1" / Máx. 1 <sup>1</sup> / <sub>4</sub> " (Mín. 2.5 cm / Máx. 3.2 cm)
F	42 <sup>1</sup> / <sub>4</sub> " (107.3 cm)
G	Mín. 23 <sup>1</sup> / <sub>2</sub> " (Mín. 59.7 cm)
H	Mín. 30 <sup>1</sup> / <sub>2</sub> " (Mín. 77.5 cm)
I	Máx. 9 <sup>1</sup> / <sub>2</sub> " (Máx. 24.1 cm) - Caja de empalmes
J	Mín. 1 <sup>1</sup> / <sub>16</sub> " (1.75 cm) - Grosor de gabinete de madera

## Hornos combinados instalados en gabinete (a nivel)



GABINETE	DIMENSIONES
A	Mín. $30\frac{3}{16}$ " / Máx. $30\frac{5}{16}$ " (Mín. 76.7 cm / Máx. 77.0 cm)
B	Mín. $1\frac{3}{16}$ " (3.0 cm)
C	12" (30.5 cm)
D	Mín. 1" / Máx. $1\frac{1}{4}$ " (Mín. 2.5 cm / Máx. 3.2 cm)
E	$43\frac{11}{16}$ " (110.9 cm)
F	Mín. $24\frac{13}{16}$ " (Mín. 63.0 cm)
G	Mín. $30\frac{1}{2}$ " (Mín. 77.5 cm)
H	Máx. $9\frac{1}{2}$ " (Máx. 24.1 cm) - Caja de empalmes
I	Mín. $1\frac{1}{16}$ " (1.75 cm) - Grosor de gabinete de madera

# Requisitos de instalación



GABINETE	DIMENSIONES	
A	30 <sup>1</sup> / <sub>4</sub> " (76.8 cm)	Ancho
B	43 <sup>11</sup> / <sub>16</sub> " (110.9 cm)	Altura
C	24 <sup>13</sup> / <sub>16</sub> " (63.02 cm)	Profundidad
D	1 <sup>3</sup> / <sub>16</sub> " (2.06 cm)	Ancho listones
E	1 <sup>1</sup> / <sub>16</sub> " (1.75 cm)	Profundidad listones
F	1 <sup>5</sup> / <sub>16</sub> " (3.3 cm)	Posición de los listones

Si los códigos lo permiten y se emplea un cable a tierra separado, es recomendable que un electricista calificado determine si la trayectoria a tierra y el calibre del cable cumplen con los códigos locales.

Si no está seguro si la conexión a tierra del horno está correctamente realizada, consulte a un electricista calificado.

Este horno debe conectarse a un sistema de conexión a tierra permanente de metal. Asegúrese de que la conexión eléctrica y el tamaño del cable sean adecuados y que cumplan con la versión más reciente del Código eléctrico nacional ANSI/NFPA 70 o la norma C22 de CSA.

1-94, la versión más reciente del Código eléctrico de Canadá, Sección 1 y C22.2 No. O-M91, y todos los códigos y ordenanzas locales.

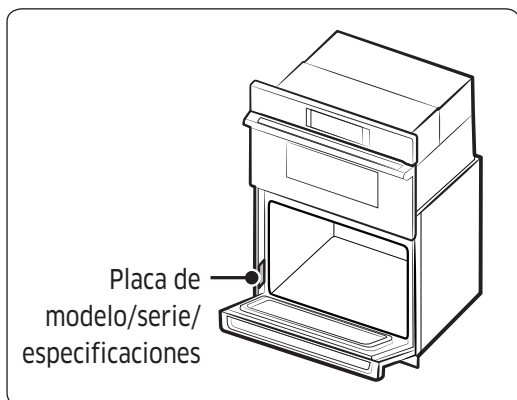
Se puede obtener una copia de las normas mencionadas arriba en:

- National Fire Protection Association  
1 Batterymarch Park  
Quincy, MA 02169-7471
- CSA International  
8501 East Pleasant Valley Road  
Cleveland, OH 44131-5575

# Requisitos de instalación

## Conexión eléctrica

Para instalar correctamente el horno, se debe determinar el tipo de conexión eléctrica que se va a usar y seguir las instrucciones proporcionadas en este manual.



El horno debe conectarse al voltaje y la frecuencia adecuados según se establece en la placa de modelo/serie/especificaciones. La placa de modelo/serie/especificaciones se encuentra debajo del panel de control en los hornos combinados. Vea las ilustraciones a la izquierda.

- Se recomienda el uso de un disyuntor.
- Use la siguiente tabla para determinar la protección mínima recomendada dedicada al circuito.

Régimen en KW (240 V)	Régimen en KW (208 V)	Tamaño recomendado del circuito (dedicado)
≤4.8 KW	≤4.1 KW	20 Amp
4.9 KW - 7.5 KW	4.3 KW - 6.2 KW	30 Amp
7.3 KW - 9.6 KW	6.3 KW - 8.3 KW	40 Amp
9.7 KW - 12.0 KW	8.4 KW - 10.4 KW	50 Amp



- Conecte directamente a la caja del disyuntor del circuito (o de desconexión con fusibles) a través de un cable de cobre flexible, blindado o con revestimiento no metálico. Consulte la sección “Conexión eléctrica”.
- El conducto flexible del horno debe conectarse directamente a la caja de empalmes.
- Coloque fusibles en ambos lados de la línea.
- No corte el conducto. La longitud del conducto provisto con el horno permite realizar tareas de servicio.
- Se debe suministrar un conector de conductos aprobado por UL o CSA.
- Si la casa tiene un cableado de aluminio, siga el procedimiento a continuación:
  - a. Conecte un tramo de cable de cobre macizo a las tomas de conexión del conducto flexible.
  - b. Conecte el cableado de aluminio a la sección añadida de cable de cobre utilizando conectores especiales y/o herramientas diseñadas para unir cobre con aluminio aprobadas por UL.
- Siga el procedimiento recomendado por el fabricante del conector eléctrico. La conexión entre aluminio y cobre debe cumplir con los códigos locales y las prácticas de cableado aceptadas por la industria.

**Para conocer los requisitos eléctricos del modelo DOC30M977D, consulte la siguiente tabla.**

Modelo	240 VCA	208 VCA
DOC30M977D*	8.9 kW	6.7 kW

# Instrucciones de instalación

---

## Preparar el horno empotrado

---

### ADVERTENCIA

#### **Peligro por peso excesivo**

Hacen falta dos o más personas para trasladar e instalar el horno.

De lo contrario, podría dañarse la espalda o sufrir otras lesiones.

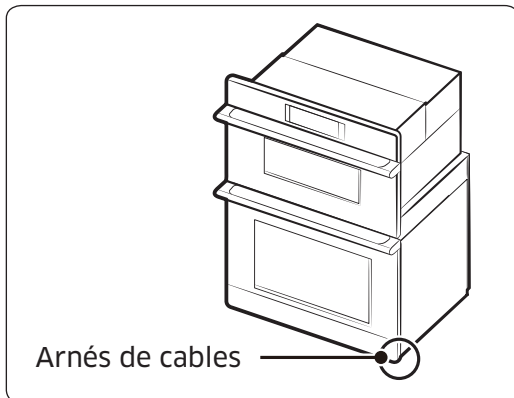
1. Decida la ubicación final del horno. Evite perforar o cortar el cableado de la casa durante la instalación.
2. Para evitar dañar el piso, coloque el horno sobre un cartón previo a la instalación. No utilice la manija ni ninguna parte del marco frontal del horno para levantarlo.
3. Retire los materiales de envío y la cinta del horno.  
Recuerde conservar los materiales de empaque necesarios para la instalación.
4. Quite el paquete de componentes que se encuentra en la bolsa con las instrucciones.
5. Retire los estantes y demás piezas del interior del horno.
6. Desplace el horno y el cartón cerca de la ubicación final del horno.

## Retirar y reemplazar la puerta del horno

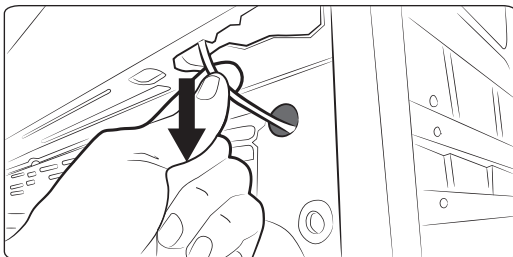
**IMPORTANTE:** Retire la puerta del horno inferior con las dos manos. La puerta del horno superior no puede retirarse.

Antes de retirar la puerta del horno, prepare la superficie donde la colocará. Esta superficie debe ser plana y recubierta de una manta suave o puede usar los postes de esquina del material de empaque.

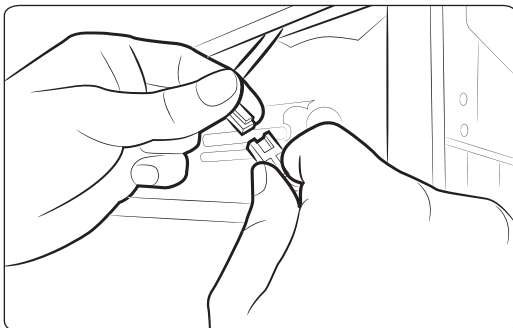
### Desconexión del arnés de cables de la luz LED



Ubique el arnés de cables de la luz LED y desconéctelo antes de retirar la puerta.



1. Jale cuidadosamente el cable hasta que aparezca el conector.



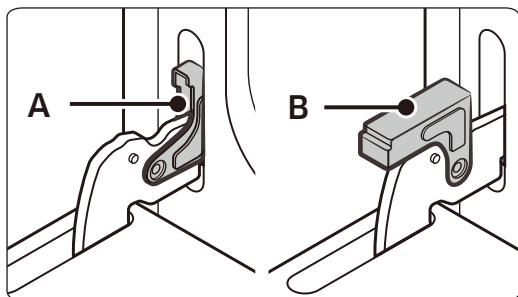
2. Desconéctelo.

#### **NOTA**

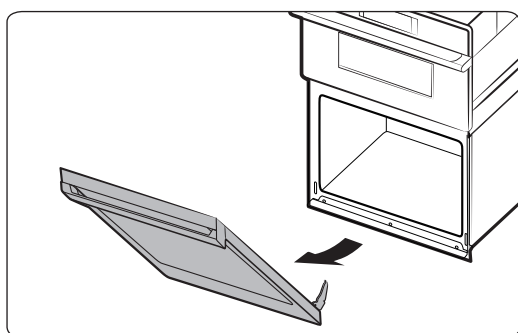
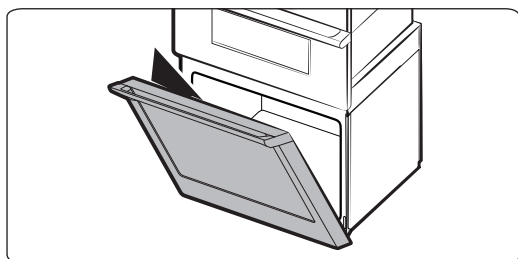
Cuando instale la unidad por primera vez, coloque el borde inferior antes de volver a instalar la puerta. Consulte la sección "Cómo instalar el horno".

# Instrucciones de instalación

## Retire la puerta del horno inferior



- A.** Traba de la bisagra de la puerta del horno en posición trabada
- B.** Traba de la bisagra de la puerta del horno en posición destrabada



1. Abra la puerta del horno.
2. Busque las trabas de las bisagras en ambas esquinas inferiores de la puerta del horno y gírelas hacia la puerta, a la posición destrabada (observe la ilustración B). Si la traba de la bisagra de la puerta no se rota completamente, la puerta no podrá retirarse adecuadamente.
3. Cierre parcialmente la puerta para conectar las trabas de la puerta. En este punto, la puerta se detendrá.
4. Sujete los bordes de la puerta del horno con las dos manos. Levante y jale en su dirección la puerta del horno para retirarla. Quizá deba mover cuidadosamente la puerta de lado a lado mientras jala.
5. Deje la puerta del horno sobre la superficie de trabajo cubierta por una manta, con la manija en la parte de abajo.
6. Para seguir con la instalación del horno, vaya a la sección "Colocación de las patas del horno para distintas alturas de recortes de gabinetes".

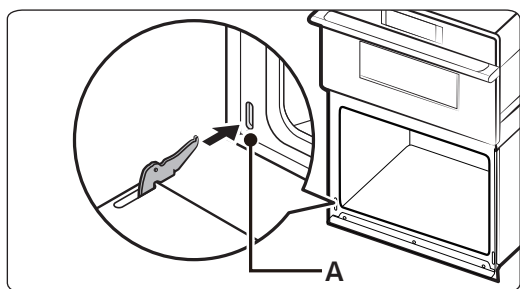
### PRECAUCIÓN

La puerta del horno superior no se puede retirar.

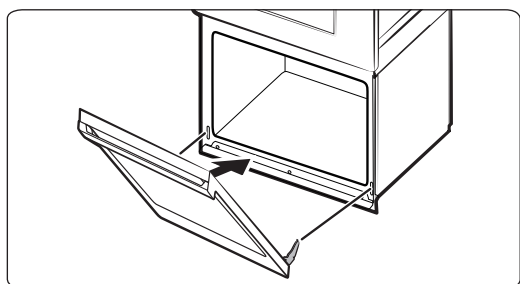
## Cómo reemplazar la puerta del horno

### **⚠ PRECAUCIÓN**

La puerta es muy pesada. Quizá necesite ayuda para levantar la puerta a la altura necesaria para deslizarla en las ranuras de la bisagra. No levante la puerta jalando de la manija.



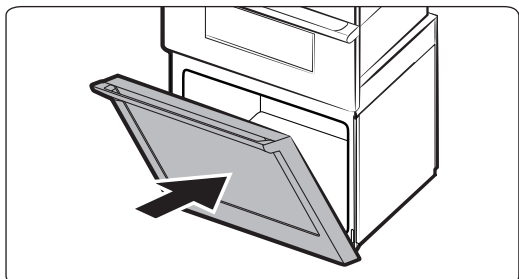
**A.** Ranura en la cavidad del horno para la traba de la bisagra de la puerta



1. Sujete los bordes de la puerta del horno al medio con las dos manos. Colóquese frente a la cavidad del horno.
2. Ubique las ranuras en cada lado de la cavidad del horno para las trabas de las bisagras de la puerta.
3. Alinee las bisagras de la puerta con las ranuras en la parte inferior frontal de la cavidad del horno a 45°. Introduzca la puerta lentamente, asegurándose de mantener la posición a 45°. Cuando la puerta se meta en la ranura, sentirá un leve descenso.

# Instrucciones de instalación

---



4. Baje la puerta del horno abriéndola por completo. Si la puerta no abre 90°, vuelva a repetir los pasos 1 a 3.
5. Ubique la traba de la bisagra de la puerta del horno en ambas esquinas de la puerta del horno y luego rótelas hacia la cavidad del horno para trabarlas.

Consulte el Paso 1 (ilustración A) en la sección “Cómo retirar la puerta del horno” para ver la posición trabada correspondiente.

6. Cierre la puerta del horno.
7. Cuando las bisagras están instaladas correctamente y la puerta está cerrada, debe quedar una abertura regular entre la puerta superior y la inferior. Si la puerta está desnivelada, sepárela y vuelva a instalarla siguiendo los pasos de “Cómo retirar la puerta del horno”.
8. Vuelva a conectar el arnés de cables de la luz LED ubicado en la parte inferior derecha de la puerta.

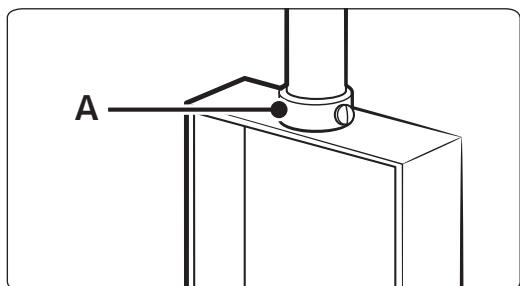
## Conexión eléctrica

### **⚠ ADVERTENCIA**

#### **Peligro de descarga eléctrica**

- Desconecte la alimentación antes de realizar tareas de mantenimiento o reparación.
- Utilice un cable de cobre macizo calibre 8.
- Asegúrese de conectar el horno a tierra.
- No seguir estas instrucciones puede provocar la muerte, un incendio o electrocución.

Este horno está fabricado con un cable de suministro eléctrico neutro (blanco) y un cable a tierra (verde o desnudo) conectado al gabinete trenzados juntos.

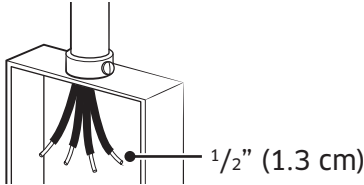
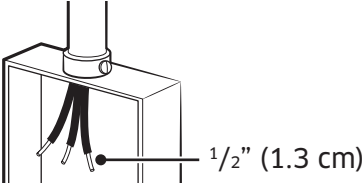


**A.** Conector de conductos aprobado por UL o CSA

1. Desconecte el suministro eléctrico.
2. Pase el conducto flexible del horno por la abertura del gabinete.
3. Quite la tapa de la caja de empalmes, si la tuviere.
4. Instale un conector de conductos aprobado por UL o CSA en la caja de empalmes.
5. Lleve el conducto flexible desde el horno hasta la caja de empalmes a través de un conector de conductos aprobado por UL o CSA.
6. Apriete los tornillos en el conector de conductos.
7. Consulte la “Tabla de opciones de conexión eléctrica” para completar la instalación de su tipo de conexión eléctrica.

# Instrucciones de instalación

Tabla de opciones de conexión eléctrica

Si en su casa tiene:	Vaya a la sección:
	Cable de 4 conductores del suministro eléctrico hogareño
	Cable de 3 conductores del suministro eléctrico hogareño

## **⚠ ADVERTENCIA**

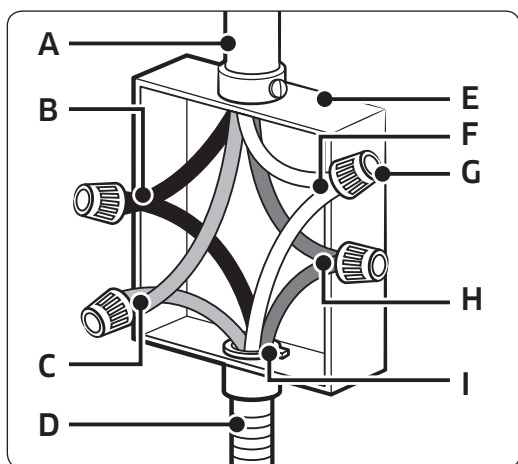
### **Peligro de descarga eléctrica**

- Desconecte la alimentación antes de realizar tareas de mantenimiento o reparación.
- Utilice un cable de cobre macizo calibre 8.
- Horno con conexión eléctrica a tierra.
- No seguir estas instrucciones puede provocar la muerte, un incendio o electrocución.



## Cable de 4 conductores del suministro eléctrico hogareño

**IMPORTANTE:** Utilice el cable de 4 conductores del suministro eléctrico hogareño en EE. UU. donde los códigos locales no permiten la conexión a tierra mediante el conductor neutro, nuevas construcciones de circuitos ramales (1996 NEC), casas rodantes, vehículos recreativos, nuevas construcciones y en Canadá.



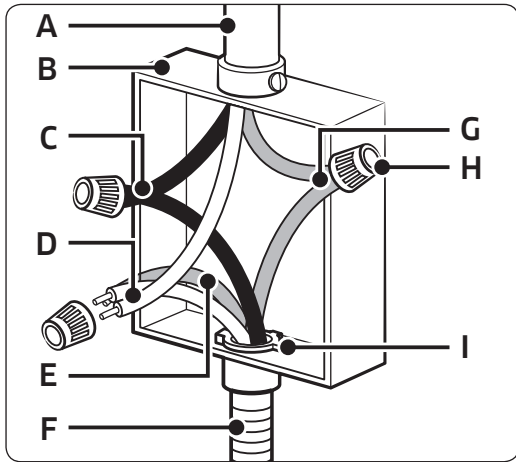
- A. Cable del suministro eléctrico hogareño
- B. Cables negros (normalmente L1)
- C. Cables rojos (normalmente L2)
- D. Conducto flexible del horno con 4 conductores
- E. Caja de empalmes
- F. Cables blancos (normalmente N-neutro)
- G. Conectores de cable aprobados por UL
- H. Cables verdes (normalmente G-tierra)
- I. Conector de conductos aprobado por UL o CSA

1. Conecte los 2 cables negros (B) juntos utilizando el conector de cables aprobado por UL.
2. Conecte los 2 cables rojos (C) juntos utilizando el conector de cables aprobado por UL.
3. Conecte los 2 cables blancos (F) juntos utilizando el conector de cables aprobado por UL.
4. Conecte el cable a tierra verde (o desnudo) (H) del horno al cable a tierra verde (o desnudo) (en la caja de empalmes) a través de un conector de cables aprobado por UL.
5. Instale la tapa de la caja de empalmes.

# Instrucciones de instalación

## Cable de 3 conductores del suministro eléctrico hogareño - EE. UU. solamente

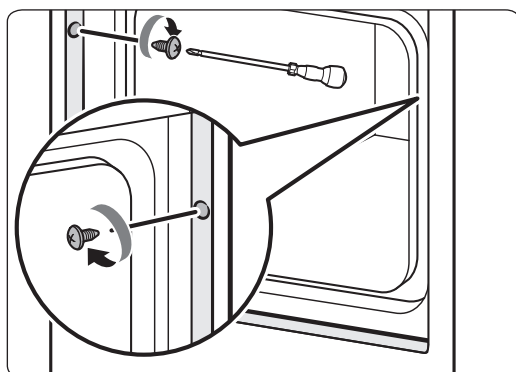
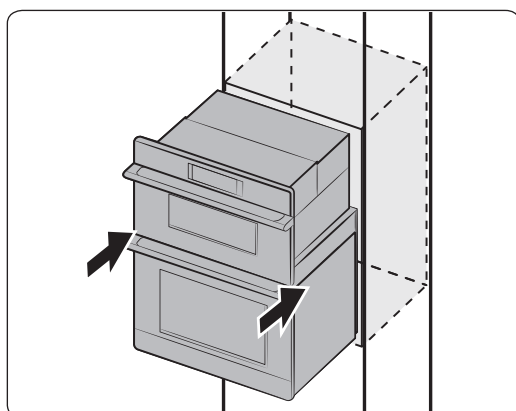
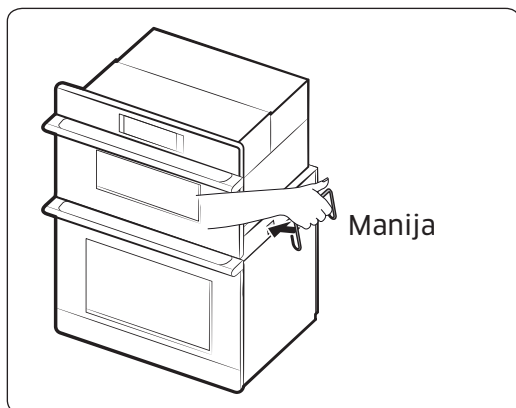
**IMPORTANTE:** Utilice el cable de 3 conductores del suministro eléctrico hogareño donde los códigos locales permitan una conexión de 3 conductores.



1. Conecte los 2 cables negros (C) juntos utilizando el conector de cables aprobado por UL.
2. Conecte los 2 cables blancos (D) y el cable a tierra verde (o desnudo) (del cable del horno) utilizando el conector de cables aprobado por UL.
3. Conecte los 2 cables rojos (G) juntos utilizando el conector de cables aprobado por UL.
4. Instale la tapa de la caja de empalmes.

- A. Cable del suministro eléctrico hogareño
- B. Caja de empalmes
- C. Cables negros (normalmente L1)
- D. Cables blancos (normalmente N-neutro)
- E. Cables verdes (normalmente G-tierra)
- F. Conducto flexible del horno con 4 conductores
- G. Cables rojos (normalmente L2)
- H. Conectores de cable aprobados por UL
- I. Conector de conductos aprobado por UL o CSA

## Cómo instalar el horno



1. Levante el horno parcialmente con ayuda de 2 o más personas hasta el recorte del gabinete. Utilice la manija como se muestra a continuación.

### NOTA

- Empuje el marco frontal del horno con cuidado.
- Antes del siguiente paso, retire las manijas de instalación.

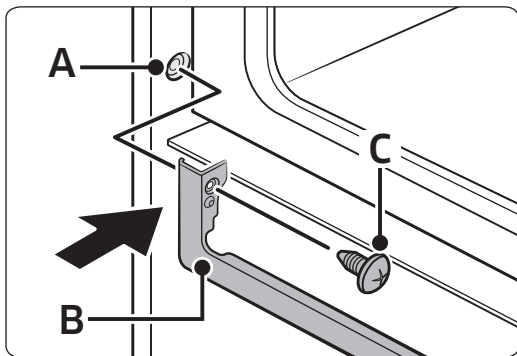
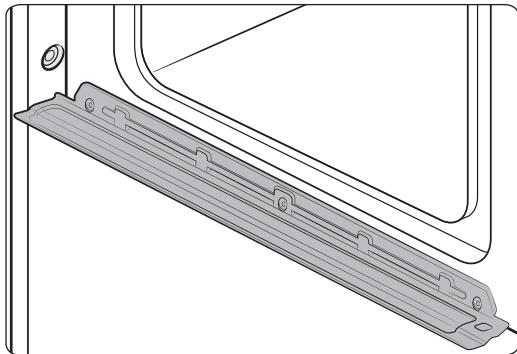
2. Empuje la zona de la junta del marco frontal para colocar el horno dentro del gabinete hasta que la superficie posterior del marco frontal toque la pared delantera del gabinete.

### PRECAUCIÓN

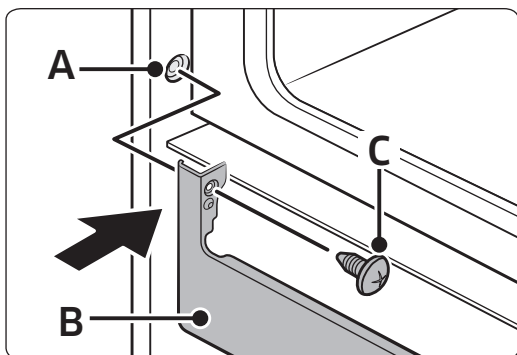
Empuje solo el horno inferior. No empuje el horno superior. (Para evitar fuga de radiofrecuencia.)

3. Empuje el horno dentro del gabinete por completo y céntrelo en el recorte del gabinete.
4. Retire la cinta de los bordes delanteros.
  - Sujete firmemente el horno al gabinete utilizando los tornillos provistos.
  - Inserte los tornillos en los orificios del borde alineándolos con los orificios del marco del horno inferior. No los ajuste demasiado.

# Instrucciones de instalación



- A. Borde izquierdo
- B. Borde inferior
- C. Tornillo



- A. Borde izquierdo
- B. Borde inferior grande
- C. Tornillo

## ⚠ ADVERTENCIA

Cuando introduzca el horno, preste atención de no deformar o dañar la barrera de abajo.

5. El borde de metal inferior se envía en el empaque de espuma. Para instalar el borde de metal inferior, consulte las siguientes instrucciones.
  - Alinee la pestaña del borde inferior con un orificio del borde del lado izquierdo de la unidad, como se muestra. Repita la operación en el lado derecho.
  - Ajuste el borde en el horno firmemente usando un tornillo de cada lado de la pestaña del borde.

## ⚠ PRECAUCIÓN

La puerta del horno inferior debe retirarse antes de ajustar el borde.

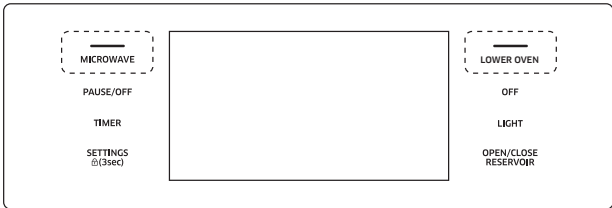
6. Si el tamaño de la abertura recortada supera las 1.5 pulgadas, se recomienda usar el borde inferior más ancho.

## 📄 NOTA

El horno superior se puede fijar con 4 tornillos, y el inferior con 2 tornillos.

## Sensor de temperatura y control del calentador

1. Luego de conectar la alimentación, verifique que la pantalla funcione correctamente.
2. Retire todos los accesorios (parrilla deslizante, parrilla plana, etc.) del interior de la cavidad del horno.
3. No podrá realizar el autodiagnóstico si la cavidad del horno está caliente o la puerta está abierta.
  - En este caso, aparecerá el mensaje "Hot or door (Caliente o Puerta)" en la pantalla.
4. Para comenzar el autodiagnóstico, presione ambas teclas funcionales simultáneamente durante 5 segundos.
  - Consulte la siguiente tabla para ver las teclas funcionales de cada modelo.
  - El autodiagnóstico demora unos 4~5 minutos.

Modelo	DOC30M977D*
Panel de control	
Tecla funcional	MICROWAVE (MICROONDAS) + LOWER OVEN (HORNO INFERIOR)

5. Si no hay ningún error, aparecerá 'PASS' (APROBADO) en la pantalla con un sonido de alerta.
6. Si hay un error, aparece un mensaje en la pantalla con un sonido de alerta.

Modelo		DOC30M977D*	
		Código de error	Comentario
Función	Asar a la parrilla inferior	H-4	Horno inferior solamente
	Hornear inferior	H-3	

7. Si se produce un error, comuníquese con el centro de servicio técnico de Dacor para recibir asistencia.

### **NOTA**

Si se muestra un mensaje no incluido en la lista anterior, comuníquese con un centro de servicio técnico de Dacor llamando al 1-800-DACOR(793-0093).

# Resolución de problemas

## Códigos de información

Código mostrado	Causa posible	Solución
C-d0	Este código se muestra si en la tecla de control hay un cortocircuito durante 1 minuto.	Limpie los botones y asegúrese de que no quede agua sobre ellos ni alrededor. Apague el horno y vuelva a intentarlo. Si el problema persiste, comuníquese con un centro de servicio local de Dacor.
C-d1	Este código se muestra si el bloqueo de la puerta está mal colocado.	Toque <b>PAUSE/OFF (PAUSAR/OFF)</b> y <b>OFF</b> y reinicie el horno. Si el problema persiste, desconecte toda alimentación eléctrica al horno durante por lo menos 30 segundos y vuelva a conectarla. Si esto no soluciona el problema, llame al servicio de reparaciones.
C-F0	Este código se muestra si se interrumpe la comunicación entre el PBA principal y el secundario.	
C-F2	Este código se muestra si se interrumpe la comunicación entre el principal y el táctil.	
C-20	El sensor del horno está abierto cuando el horno está funcionando.	
	Hay un cortocircuito en el sensor del horno cuando el horno está funcionando.	

Código mostrado	Causa posible	Solución
C-21	Este código se muestra si la temperatura interna es anormalmente alta.	Toque <b>PAUSE/OFF (PAUSAR/OFF)</b> y <b>OFF</b> y reinicie el horno. Si el problema persiste, desconecte toda alimentación eléctrica al horno durante por lo menos 30 segundos y vuelva a conectarla. Si esto no soluciona el problema, llame al servicio de reparaciones.
C-23	El sensor de la sonda de temperatura está cortocircuitado cuando el horno está funcionando.	
C-30	El sensor PCB está abierto cuando el horno está funcionando. El sensor PCB está cortocircuitado cuando el horno está funcionando.	
C-31	Este código se muestra si la temperatura de PCB es anormalmente alta.	Solicite servicio técnico.
C-70	El sensor de vapor está abierto cuando el horno está funcionando. En el sensor de vapor hay un cortocircuito cuando el horno está funcionando.	Toque <b>PAUSE/OFF (PAUSAR/OFF)</b> y <b>OFF</b> y reinicie el horno. Si el problema persiste, desconecte toda alimentación eléctrica al horno durante por lo menos 30 segundos y vuelva a conectarla. Si esto no soluciona el problema, llame al servicio de reparaciones.
C-72	Hay problemas relacionados con el sistema de drenaje.	
C-A2	El motor de enfriamiento no funciona con normalidad .	Solicite servicio técnico.



DE68-04479A-01

***dacor***<sup>®</sup>



***dacor***<sup>®</sup>

Instructions d'installation

Four micro-ondes encastrable à combiner Modernist  
DOC30M977D\*

# Table des matières

---

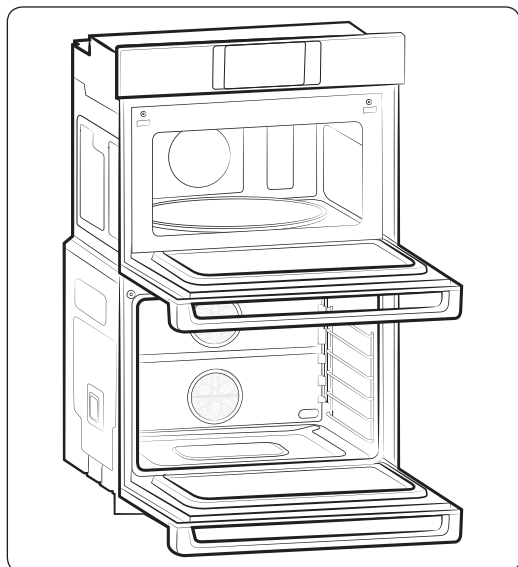
<b>Avant de commencer...</b>	<b>3</b>
Important	3
<b>Informations relatives au service client</b>	<b>4</b>
En cas de besoin...	4
<b>Consignes de sécurité importantes</b>	<b>5</b>
Sécurité relative à l'équipement	5
Transport	5
<b>Conditions d'installation</b>	<b>8</b>
Liste de contrôle	8
Préparation avant l'installation du four	9
Conditions d'emplacement	10
Dimensions de l'appareil (fours combinés)	11
Dimensions du meuble (fours combinés)	12
Raccordement électrique	16
<b>Consignes d'installation</b>	<b>18</b>
Préparation du four encastré	18
Retrait et réinstallation de la porte du four	19
Raccordement électrique	23
Installation du four	27
Contrôle du capteur de température et des éléments chauffants	29
<b>Dépannage</b>	<b>30</b>
Codes d'information	30

# Avant de commencer...

---

## Important

---



- La conception générale et/ou les accessoires peuvent varier d'un modèle à un autre.

### Installateur

- Par mesure de sécurité et pour atténuer les problèmes, lisez attentivement ce manuel, dans son intégralité, avant de procéder à l'installation. L'utilisateur doit pouvoir consulter ce manuel.
- Notez les numéros de série/modèle de l'appareil dans ce manuel à titre de référence pour l'entretien/maintenance.

### Utilisateur

- Conservez ce manuel afin vous puissiez vous y référer ultérieurement, tout comme les techniciens, le personnel de service, etc.

# Informations relatives au service client

---

## En cas de besoin...

---

Pour toute question ou tout problème relatif à l'installation, contactez votre revendeur Dacor® ou l'équipe du service client Dacor. Si votre appareil Dacor est sous garantie, appelez le service différencié Dacor. Préparez les numéros de série/modèle de votre appareil avant d'appeler.

### Service différencié Dacor (réparations sous garantie uniquement)

Téléphone : (800) 793-0093 ex. 2822 (États-Unis et Canada)  
du lundi au vendredi, de 06 h 00 à 16 h 00 (heure du Pacifique)

### Service client Dacor

Téléphone : (800) 793-0093 ex. 2813 (États-Unis et Canada)  
du lundi au vendredi, de 06 h 00 à 17 h 00 (heure du Pacifique)  
Site Web : [www.dacor.com](http://www.dacor.com)

Toutes les spécifications peuvent être modifiées sans préavis. Dacor n'est pas responsable des changements apportés aux spécifications.

© 2017 Dacor, tous droits réservés.

# Consignes de sécurité importantes

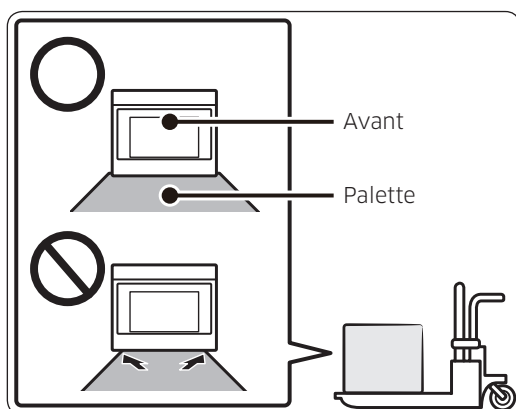
## Sécurité relative à l'équipement

Retirez tous les adhésifs et l'emballage avant d'utiliser l'appareil. Mettez au rebut l'emballage après avoir déballé l'appareil. Ne laissez jamais les enfants jouer avec les matériaux d'emballage.

Ne modifiez ou n'altérez jamais la structure de l'appareil. Par exemple, ne retirez pas les panneaux, les caches de câbles ou les vis.

## Transport

Pour éviter d'endommager la ventilation du four, utilisez la méthode de transport présentée dans l'image ci-dessous.



Soutenez le bas du four de l'un des côtés lorsque vous le déplacez vers l'emplacement d'installation. Laissez l'appareil relié à la palette de livraison jusqu'à ce qu'il soit en face de l'ouverture du meuble et qu'il est prêt à être soulevé pour sa mise en place

### **⚠ DANGER**

#### **RISQUE D'ÉLECTROCUTION**

Pour éviter tout risque d'électrocution, de blessures corporelles ou d'accident mortel, vérifiez que votre appareil a correctement été mis à la terre, conformément aux codes locaux ou, en l'absence de codes, au Code national électrique (NEC). ANSI/NFPA 70, dernière édition.

### **⚠ AVERTISSEMENT**

#### **RISQUE LORS DU DÉPLACEMENT**

Pour éviter tout risque de blessures corporelles graves, cet appareil requiert deux personnes ou plus pour sa manipulation et son déplacement. Nous vous recommandons d'utiliser des dispositifs de déplacement d'appareils.

# Consignes de sécurité importantes

---

## AVERTISSEMENT

- Les informations figurant dans le présent manuel doivent être scrupuleusement suivies.
  - En cas de non-respect de ces informations, un incendie ou une électrocution risque de survenir et de provoquer des dégâts matériels, des blessures corporelles ou des accidents mortels.
- Important : conservez le présent manuel d'installation pour que l'inspecteur électrique local puisse le consulter.
- Bonne installation - Assurez-vous que votre appareil est correctement installé et mis à la terre par un technicien qualifié.
- Toutes les constructions dont les circuits dérivés sont neufs (Code national électrique de 1996), les maisons mobiles, les véhicules et les installations de loisirs dont les codes locaux interdisent la mise à la terre par un conducteur neutre, nécessitent un raccordement en dérivation à 4 fils.
- Un mauvais raccordement du câblage en aluminium du domicile aux câbles en cuivre peut provoquer un risque électrique ou d'incendie. Utilisez uniquement des connecteurs conçus pour relier du cuivre à de l'aluminium et suivez attentivement la procédure recommandée par le fabricant.
- Les vis de montage doivent être utilisées.
  - En cas de non-respect de cette consigne, le four peut tomber du meuble et provoquer des blessures graves.

## ATTENTION

- Assurez-vous que les revêtements du meuble et du mur situés autour du four peuvent résister à la température générée par le four (pouvant aller jusqu'à 194 °F [90 °C]).
  - Dans le cas contraire, des éléments peuvent se décolorer, se décoller ou fondre.
- Ne retirez pas les entretoises sur les parois latérales du four encastré.
  - Ces entretoises permettent de centrer le four dans l'espace disponible. Le four doit être centré pour éviter une accumulation excessive de chaleur, qui est susceptible d'entraîner des dommages ou un incendie.

**⚠ AVERTISSEMENT**

- Les informations figurant dans le présent manuel doivent être scrupuleusement suivies.
  - En cas de non-respect de ces informations, un incendie ou une électrocution risque de survenir et de provoquer des dégâts matériels, des blessures corporelles ou des accidents mortels.

**REMARQUE IMPORTANTE**

Il relève de la responsabilité de l'installateur de procéder à la bonne installation de l'appareil ; toute défaillance de l'appareil due à une mauvaise installation n'est PAS couverte par la garantie.

**⚠ AVERTISSEMENT**

- Ne placez pas de poids sur la porte du four. Ne laissez jamais qui que ce soit monter, s'asseoir, se mettre debout ou se pendre sur la porte du four.
  - Le four pourrait se renverser et provoquer des blessures à cause des aliments ou du four lui-même.

**⚠ AVERTISSEMENT**

- L'alimentation électrique doit être coupée lorsque vous procédez aux raccordements électriques.
  - Le non-respect de cette consigne peut entraîner des blessures corporelles voire mortelles ou une électrocution.

**REMARQUE IMPORTANTE**

- Respectez tous les codes et règlements en vigueur. Cet appareil doit être correctement relié à la terre.
- N'obstruez pas les conduits de ventilation du four. La ventilation du four se situe en bas du four. Pendant le fonctionnement du four, cette zone peut devenir extrêmement chaude. N'obstruez jamais cette ventilation et ne placez pas de matière plastique ou d'éléments sensibles à la chaleur devant elle.

# Conditions d'installation

---

## Liste de contrôle

---

Utilisez cette liste de contrôle pour vérifier que vous avez effectué chaque étape du processus d'installation. Elle peut vous aider à éviter de commettre des erreurs.

1. Avant d'installer le four, pensez à vérifier que les dimensions du meuble sont correctes pour accueillir votre appareil et que les raccordements électriques requis sont présents.
2. Reportez-vous au manuel d'installation pour consulter le contenu relatif à la sécurité, aux dimensions du meuble, au retrait de l'emballage, à l'installation électrique, aux tests de l'installation et au service après-vente.
3. Pour soulever le four, penchez la poignée d'installation sur le crochet latéral de l'appareil.
4. Déplacez le four en place, en face de l'ouverture du meuble, en laissant l'emballage du bas sur l'appareil pour éviter d'abîmer le sol.
5. Soulevez l'appareil à plusieurs et en même temps pour le déposer directement dans le découpage du meuble, en veillant à ne pas vous coincer les doigts ou à vous érafler les mains ou les bras. Assurez-vous que le conduit électrique atteint correctement le point de raccordement.
6. Faites glisser l'appareil en place jusqu'au bout, en veillant à acheminer correctement le conduit électrique.
7. Attachez le four à l'ouverture du meuble avec les vis fournies (à l'aide d'un tournevis cruciforme).
8. Consultez les instructions d'installation complètes et suivez le reste des procédures indiquées, notamment la réalisation d'un essai de fonctionnement.
9. Toute la documentation de l'appareil et les accessoires sont fournis avec le four (peut-être dans un emballage ou une boîte).
10. **INSTALLATEUR** : Laissez le kit de documentation et les accessoires au client.



## Préparation avant l'installation du four

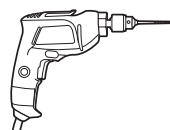
---

### Outils nécessaires



---

Tournevis cruciforme



---

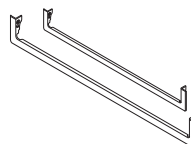
Perceuse

### Pièces incluses avec le produit



---

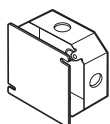
8 vis (M4 L16)  
8 vis en bois pour le montage  
(6 vis nécessaires pour l'installation et  
2 de rechange)



---

30" (76,2 cm)  
Garniture inférieure métallique

### Outils nécessaires



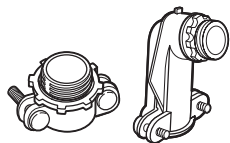
---

Boîte de jonction



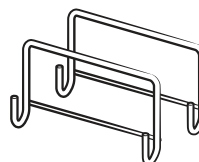
---

Serre-fils



---

Raccord de conduit  $3/4$ "



---

Poignée d'installation

# Conditions d'installation

---

## Conditions d'emplacement

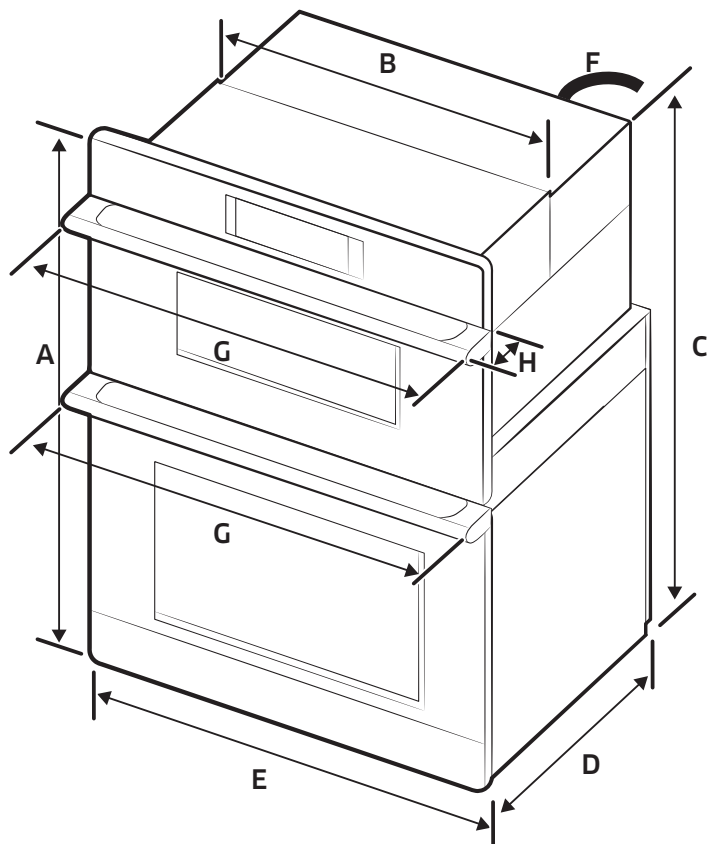
---

**IMPORTANT** : Respectez tous les codes et règlements en vigueur.

- Les dimensions d'ouverture du meuble indiquées doivent être utilisées. Les dimensions données offrent un dégagement minimum par rapport au four.
- L'emplacement d'installation encastrée doit disposer d'un coffret complet faisant le tour de la partie encastrée du four.
- Une alimentation électrique mise à la terre est requise. Reportez-vous à la section « Raccordement électrique ».
- La boîte de jonction de l'alimentation électrique doit se trouver à 3" (7,6 cm) maximum en dessous de la surface d'appui lorsque le four est installé dans un meuble mural. Un trou d'au moins 1" (2,5 cm) de diamètre doit avoir été percé sur le coin arrière droit ou arrière gauche de la surface d'appui, afin d'y faire passer le câble de l'appareil jusqu'à la boîte de jonction.
- Le plan d'appui du four doit être solide, de niveau et aligné avec le bas du découpage du meuble.
- Le sol doit pouvoir supporter le poids d'un four combiné de 287 lb (130 kg).
- Installez le FOUR COMBINÉ à une distance minimale de 12" (30 cm) de tout autre appareil.

**IMPORTANT** : Afin d'éviter tout endommager de vos meubles, vérifiez avec votre constructeur ou avec le fournisseur du meuble que les matériaux utilisés ne se décolorent pas, ne se délaminent pas ou ne subiront aucun autre endommagement. Ce four a été conçu conformément aux exigences des réglementations internationales UL et CSA et est conforme à la température maximale admissible de 194 °F (90 °C) pour un meuble en bois.

## Dimensions de l'appareil (fours combinés)

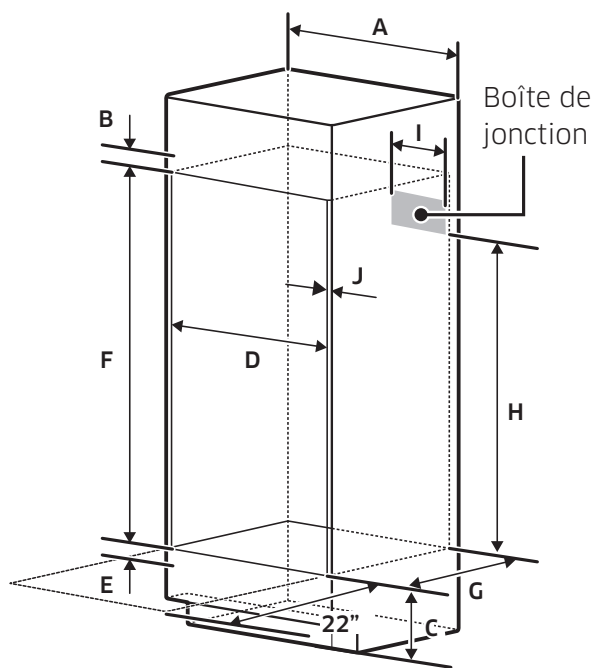


DIMENSIONS		
A	43 <sup>3</sup> / <sub>8</sub> " (110,2 cm)	Hauteur totale
B	28 <sup>1</sup> / <sub>2</sub> " (72,4 cm)	Largeur d'encastrement
C	42" (106,7 cm)	Hauteur d'encastrement
D	23 <sup>1</sup> / <sub>8</sub> " (58,7 cm)	Profondeur d'encastrement
E	29 <sup>3</sup> / <sub>4</sub> " (75,6 cm)	Largeur de la porte
F	67" (170 cm)	Longueur de conduit
G	30" (75,7 cm)	Largeur totale (Largeur de la poignée)
H	2 <sup>1</sup> / <sub>4</sub> " (5,6 cm)	Profondeur de la poignée

# Conditions d'installation

## Dimensions du meuble (fours combinés)

### Fours combinés installés dans un meuble (standard)

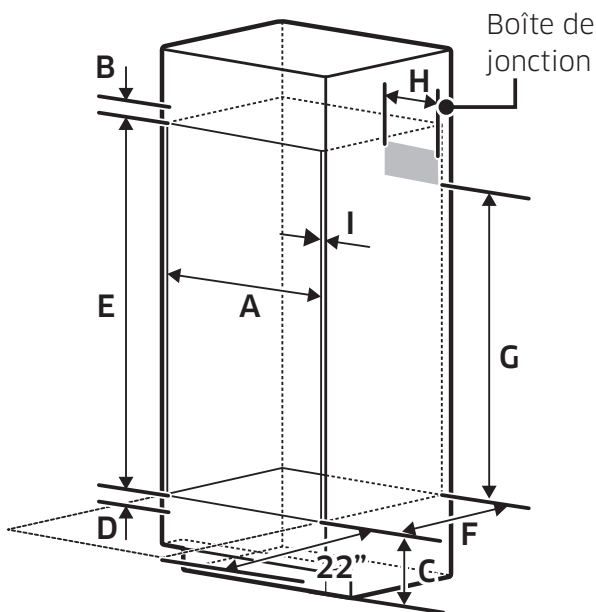


Laissez un dégagement minimum de 22" par rapport aux coins adjacents, tiroirs, murs, etc. lorsque la porte est ouverte.

MEUBLE	DIMENSIONS
A	30" (76,2 cm)
B	Minimum 1 <sup>3</sup> / <sub>16</sub> " (3,0 cm)
C	12" (30,5 cm)
D	Minimum 28 <sup>5</sup> / <sub>8</sub> " / Maximum 28 <sup>3</sup> / <sub>4</sub> " (Minimum 72,7 cm / Maximum 73,0 cm)
E	Minimum 1" / Maximum 1 <sup>1</sup> / <sub>4</sub> " (Minimum 2,5 cm / Maximum 3,2 cm)
F	42 <sup>1</sup> / <sub>4</sub> " (107,3 cm)
G	Minimum 23 <sup>1</sup> / <sub>2</sub> " (Minimum 59,7 cm)
H	Minimum 30 <sup>1</sup> / <sub>2</sub> " (Minimum 77,5 cm)
I	Maximum 9 <sup>1</sup> / <sub>2</sub> " (Maximum 24,1 cm) - Boîte de jonction
J	Minimum 1 <sup>1</sup> / <sub>16</sub> " (1,75 cm) - Épaisseur du meuble en bois

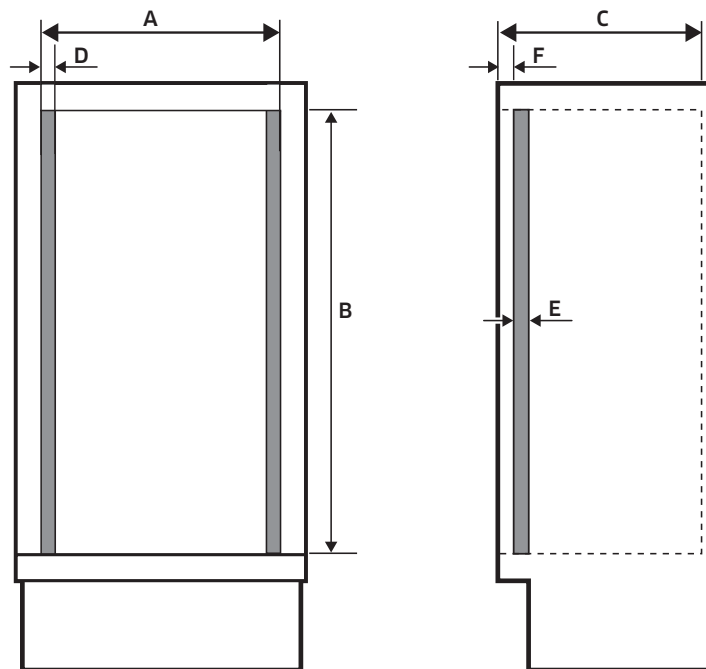
## Fours combinés installés dans un meuble (encastrement)

Laissez un dégagement minimum de 22" par rapport aux coins adjacents, tiroirs, murs, etc. lorsque la porte est ouverte.



MEUBLE	DIMENSIONS
A	Minimum $30^{3/16}$ " / Maximum $30^{5/16}$ " (Minimum 76,7 cm / Maximum 77,0 cm)
B	Minimum $1^{3/16}$ " (3,0 cm)
C	12" (30,5 cm)
D	Minimum 1" / Maximum $1^{1/4}$ " (Minimum 2,5 cm / Maximum 3,2 cm)
E	$43^{11/16}$ " (110,9 cm)
F	Minimum $24^{13/16}$ " (Minimum 63,0 cm)
G	Minimum $30^{1/2}$ " (Minimum 77,5 cm)
H	Maximum $9^{1/2}$ " (Maximum 24,1 cm) - Boîte de jonction
I	Minimum $1^{1/16}$ " (1,75 cm) - Épaisseur du meuble en bois

# Conditions d'installation



MEUBLE	DIMENSIONS	
A	30 <sup>1</sup> / <sub>4</sub> " (76,8 cm)	Largeur
B	43 <sup>11</sup> / <sub>16</sub> " (110,9 cm)	Hauteur
C	24 <sup>13</sup> / <sub>16</sub> " (63,02 cm)	Profondeur
D	1 <sup>3</sup> / <sub>16</sub> " (2,06 cm)	Largeur de la planchette
E	1 <sup>1</sup> / <sub>16</sub> " (1,75 cm)	Profondeur de la planchette
F	1 <sup>5</sup> / <sub>16</sub> " (3,3 cm)	Position de la planchette

Si les lois le permettent et si un fil de mise à la terre séparé est utilisé, il est recommandé qu'un installateur électricien qualifié détermine si le chemin de mise à la terre et le calibre de fils sont conformes aux normes locales.

Si vous n'êtes pas sûr que le four soit correctement mis à la terre, vérifiez-le avec un installateur électricien qualifié.

Ce four doit être raccordé à un système métallique de câblage permanent mis à la terre. Assurez-vous que le branchement électrique et la taille des fils sont adéquats et conformes au Code national électrique, à la dernière édition de la réglementation ANSI/NFPA 70 ou aux normes de la CSA C22.

1-94, au code électrique canadien Partie 1 et à la dernière édition de la réglementation C22.2 n°O-M91, ainsi qu'à toutes les normes locales.

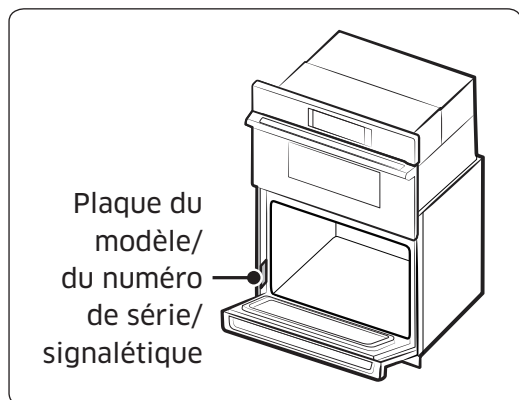
Une copie des normes susmentionnées peut être demandée auprès de :

- National Fire Protection Association  
1 Batterymarch Park  
Quincy, MA 02169-7471
- CSA International  
8501 East Pleasant Valley Road  
Cleveland, OH 44131-5575

# Conditions d'installation

## Raccordement électrique

Pour installer correctement votre four, vous devez déterminer le type de branchement électrique que vous utiliserez et suivre les instructions fournies dans le présent manuel.



Le four doit être raccordé à une fréquence et une tension d'alimentation appropriées, telles que spécifiées sur la plaque du modèle/du numéro de série/signalétique. La plaque du modèle/du numéro de série/signalétique se trouve en dessous du panneau de commande, sur les fours combinés. Reportez-vous aux illustrations à gauche.

- Il est recommandé d'utiliser un disjoncteur.
- Utilisez le tableau ci-dessous pour déterminer la protection minimale recommandée pour un circuit dédié.

Valeur nominale en KW (240 V)	Valeur nominale en KW (208 V)	Taille recommandée de circuit (dédié)
≤ 4,8 KW	≤ 4,1 KW	20 A
4,9 KW - 7,5 KW	4,3 KW - 6,2 KW	30 A
7,3 KW - 9,6 KW	6,3 KW - 8,3 KW	40 A
9,7 KW - 12,0 KW	8,4 KW - 10,4 KW	50 A



- Raccordez directement au boîtier disjoncteurs (ou au sectionneur à fusible) via un câble flexible, armé ou à gaine non métallique, en cuivre (avec fil de mise à la terre). Reportez-vous à la section « Raccordement électrique ».
- Le conduit flexible provenant du four doit être raccordé directement à la boîte de jonction.
- Équipez les deux côtés de la ligne de fusibles.
- Ne coupez pas le conduit. La longueur de conduit fournie permet de faciliter l'entretien du four.
- Un raccord de conduit répertorié UL ou homologué CSA doit être fourni.
- Si votre domicile possède du câblage en aluminium, suivez la procédure ci-dessous :
  - a. Reliez une partie du fil solide en cuivre aux extrémités des câbles du conduit flexible.
  - b. Branchez le câblage en aluminium sur la partie ajoutée de fil en cuivre, à l'aide de connecteurs spéciaux et/ou d'outils adaptés et répertoriés UL pour relier le cuivre à l'aluminium.
- Suivez la procédure recommandée du fabricant du connecteur électrique. La connexion aluminium/cuivre doit être conforme aux normes locales et aux pratiques de câblage acceptées dans le secteur.

**Pour les exigences relatives à l'alimentation pour le modèle DOC30M977D, reportez-vous au tableau suivant.**

Modèle	240 V CA	208 V CA
DOC30M977D*	8,9 kW	6,7 kW

# Consignes d'installation

---

## Préparation du four encastré

---

### AVERTISSEMENT

#### Risque de poids excessif

Faites appel à deux personnes ou plus pour déplacer et installer le four.

Le non-respect de cette consigne peut entraîner des blessures au dos ou autres.

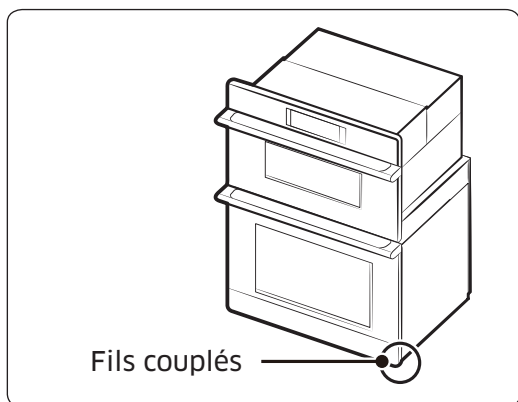
1. Déterminez l'emplacement final du four. Évitez de percer ou de couper le câblage du domicile lors de l'installation.
2. Pour éviter d'abîmer le sol, placez le four sur un carton avant son installation. N'utilisez pas la poignée ou toute autre partie du cadre avant pour lever l'appareil.
3. Retirez les matériaux d'emballage et les adhésifs présents sur le four. Pensez à conserver les matériaux d'emballage qui peuvent être nécessaires pour l'installation.
4. Retirez l'emballage du matériel présent à l'intérieur du sachet contenant la documentation.
5. Retirez les grilles et les autres pièces situées à l'intérieur du four.
6. Déplacez le four et le carton près de l'emplacement final du four.

## Retrait et réinstallation de la porte du four

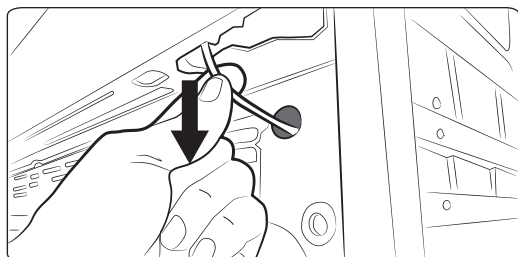
**IMPORTANT** : Utilisez vos deux mains pour retirer la porte du four inférieur. La porte du four supérieur ne peut pas être retirée.

Avant de retirer la porte du four, préparez une surface où vous pourrez la déposer. Cette surface doit être plate et recouverte d'une couverture douce, ou utilisez les montants d'angle présents dans les matériaux d'emballage.

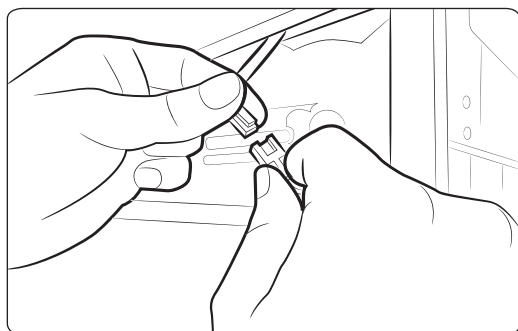
### Débranchement des fils couplés de l'éclairage DEL



Repérez l'emplacement des fils couplés de l'éclairage DEL et débranchez-les avant de retirer la porte.



1. Tirez doucement sur le câble pour révéler le connecteur.



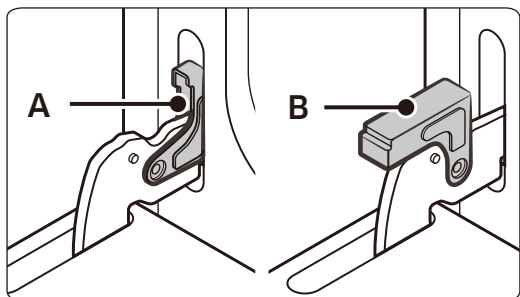
2. Débranchez le connecteur.

#### REMARQUE

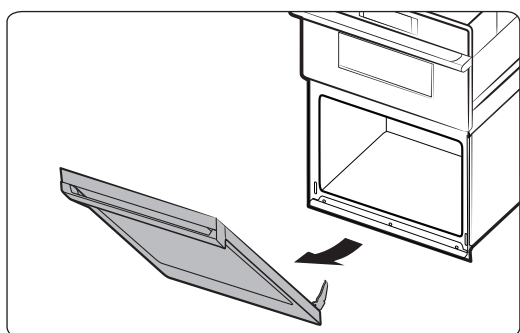
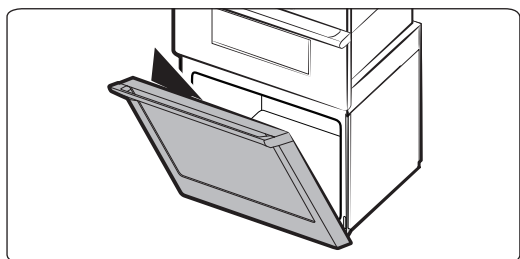
Lorsque vous installez l'appareil pour la première fois, installez la garniture inférieure avant de réinstaller la porte. Reportez-vous à la section « Installation du four ».

# Consignes d'installation

## Retrait de la porte du four inférieur



- A.** Verrou de la charnière de la porte du four en position verrouillée
- B.** Verrou de la charnière de la porte du four en position déverrouillée



1. Ouvrez la porte du four.
2. Repérez l'emplacement des verrous de la charnière de la porte du four, aux deux angles inférieurs de la porte du four, puis faites tourner les verrous de la charnière en direction de la porte du four pour les mettre en position déverrouillée (reportez-vous à l'illustration B). Si le verrou de la charnière de la porte n'est pas tourné entièrement, vous ne pouvez pas retirer correctement la porte.
3. Fermez partiellement la porte pour engager les verrous de la charnière de la porte.  
La porte s'arrête à cet endroit.
4. Avec vos deux mains, attrapez les bords de la porte du four. Soulevez et tirez la porte du four vers vous, puis retirez-la. Il se peut que vous deviez balancer doucement la porte d'un côté à l'autre à mesure que vous la tirez.
5. Mettez la porte du four de côté sur la surface de travail couverte préparée au préalable avec la porte du four reposant sur sa poignée.
6. Pour poursuivre l'installation du four, allez à la section « Positionnement des pieds du four pour plusieurs hauteurs de découpage du meuble ».

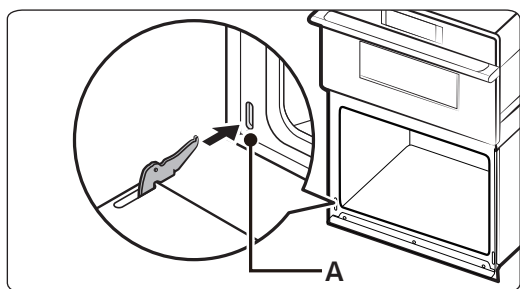
### **! ATTENTION**

La porte du four supérieur ne peut pas être retirée.

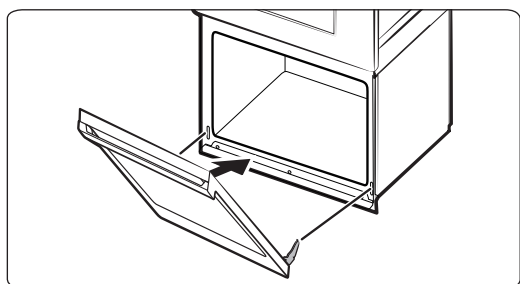
## Réinstallation de la porte du four

### **⚠ ATTENTION**

La porte est très lourde. Il se peut que vous ayez besoin d'aide pour soulever la porte suffisamment haut pour la faire glisser dans les trous de la charnière. Ne soulevez pas la porte par la poignée.



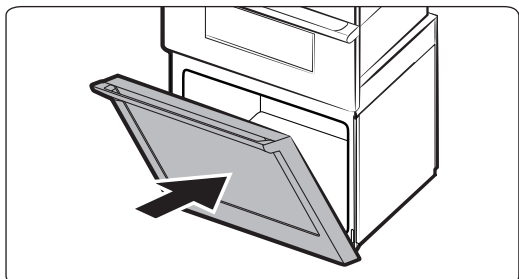
**A.** Trou à l'intérieur du four pour le verrou de la charnière de la porte



1. Avec vos deux mains, attrapez les côtés de la porte au milieu. Placez-vous en face de l'intérieur du four.
2. Repérez l'emplacement des trous de chaque côté de la paroi intérieure du four, destinés aux verrous de la charnière de la porte.
3. En respectant un angle de 45°, alignez les charnières de la porte avec les trous en bas et à l'avant de l'intérieur du four. Insérez lentement la porte, en veillant à conserver l'angle de 45°. Si vous ressentez une légère chute, cela signifie que la porte est bien engagée dans le trou.

# Consignes d'installation

---



4. Abaissez la porte du four en position entièrement ouverte. Si la porte du four ne s'ouvre pas complètement à 90°, recommencez les étapes 1 à 3.
5. Repérez l'emplacement des verrous de la charnière de la porte du four, aux angles de la porte du four, puis faites tourner les verrous de la charnière en direction de l'intérieur du four pour les mettre en position verrouillée.  
Reportez-vous à l'étape 1 (Illustration A) dans la section « Retrait de la porte du four », pour connaître la bonne position de verrouillage.
6. Fermez la porte du four.
7. Lorsque les charnières sont correctement installées et que la porte est fermée, il devrait y avoir un écart régulier entre la porte inférieure et la porte supérieure. Si la porte n'est pas droite, retirez et réinstallez la porte, puis suivez les étapes de la section « Retrait de la porte du four ».
8. Rebranchez les fils couplés de l'éclairage DEL situés en bas à droite de la porte.

## Raccordement électrique

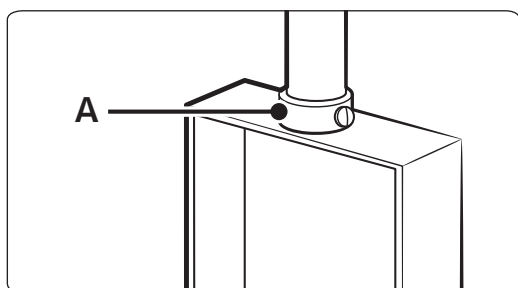
---

### **⚠ AVERTISSEMENT**

#### **Risque d'électrocution**

- Coupez l'alimentation avant toute opération d'entretien.
- Utilisez un fil en cuivre solide de calibre 8.
- Assurez-vous de raccorder le four à la terre.
- Le non-respect de ces consignes peut entraîner un incendie ou une électrocution et avoir des conséquences mortelles.

Ce four est doté d'un fil d'alimentation neutre (blanc) et d'un fil de mise à la terre branché sur le meuble (vert ou dénudé), vrillés ensemble.

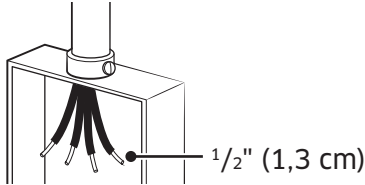
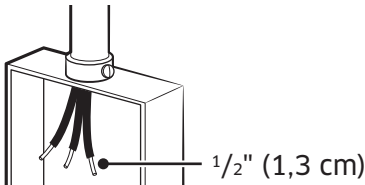


**A.** Connecteur de conduit répertorié UL ou homologué CSA

1. Coupez l'alimentation.
2. Faites passer le conduit flexible provenant du four à travers l'ouverture dans le meuble.
3. Retirez le cache de la boîte de jonction, s'il est présent.
4. Installez un raccord de conduit répertorié UL ou homologué CSA jusqu'à la boîte de jonction.
5. Acheminez le conduit flexible du four à la boîte de jonction, à l'aide d'un connecteur de conduit répertorié UL ou homologué CSA.
6. Serrez les vis sur le connecteur de conduit.
7. Reportez-vous au « Tableau des options de raccordement électrique » afin d'effectuer l'installation pour votre type de raccordement électrique.

# Consignes d'installation

## Tableau des options de raccordement électrique

Si votre domicile possède :	Reportez-vous à la section :
	Câble 4 fils au niveau de l'alimentation du domicile
	Câble 3 fils au niveau de l'alimentation du domicile

### **⚠ AVERTISSEMENT**

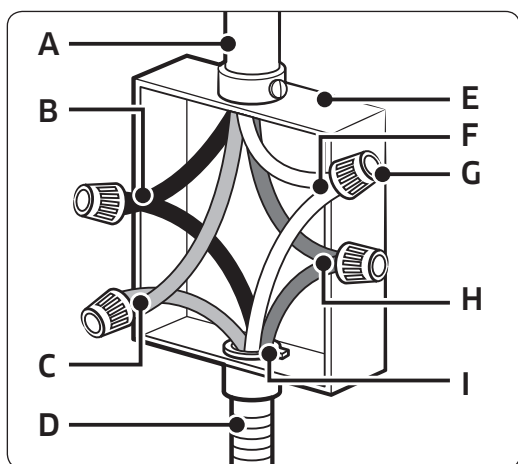
#### **Risque d'électrocution**

- Coupez l'alimentation avant toute opération d'entretien.
- Utilisez un fil en cuivre solide de calibre 8.
- Raccordez le four à la terre.
- Le non-respect de ces consignes peut entraîner un incendie ou une électrocution et avoir des conséquences mortelles.



## Câble 4 fils au niveau de l'alimentation du domicile

**IMPORTANT :** Utilisez le câble 4 fils au niveau de l'alimentation du domicile si vous vivez dans un État des États-Unis où les codes locaux n'autorisent pas la mise à la terre via un conducteur neutre dans les installations dont les circuits dérivés sont neufs (Code national électrique de 1996), les maisons mobiles, les véhicules de loisirs et les constructions neuves, ainsi qu'au Canada.



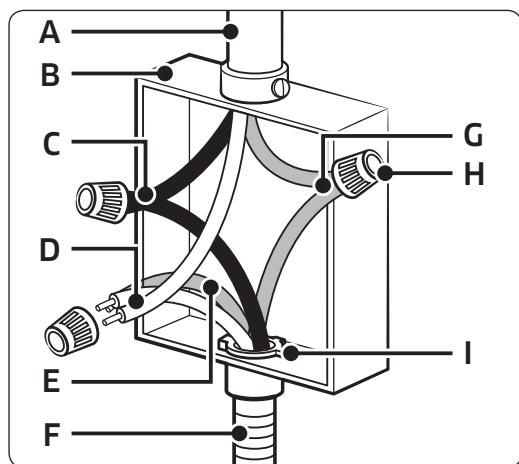
- A. Câble au niveau de l'alimentation du domicile
- B. Fils noirs (normalement L1)
- C. Fils rouges (normalement L2)
- D. Conduit flexible 4 fils provenant du four
- E. Boîte de jonction
- F. Fils blancs (normalement N, neutre)
- G. Serre-fils répertoriés UL
- H. Fils verts (normalement G, masse)
- I. Connecteur de conduit répertorié UL ou homologué CSA

1. Branchez les 2 fils noirs (B) ensemble à l'aide d'un serre-fils répertorié UL.
2. Branchez les 2 fils rouges (C) ensemble à l'aide d'un serre-fils répertorié UL.
3. Branchez les 2 fils blancs (F) ensemble à l'aide d'un serre-fils répertorié UL.
4. Reliez le fil de mise à la terre vert (ou dénudé) (H) au niveau du câble du four au fil de mise à la terre vert (ou dénudé) (dans la boîte de jonction), à l'aide d'un serre-fils répertorié UL.
5. Remettez le cache de la boîte de jonction en place.

# Consignes d'installation

## Câble 3 fils au niveau de l'alimentation du domicile - États-Unis uniquement

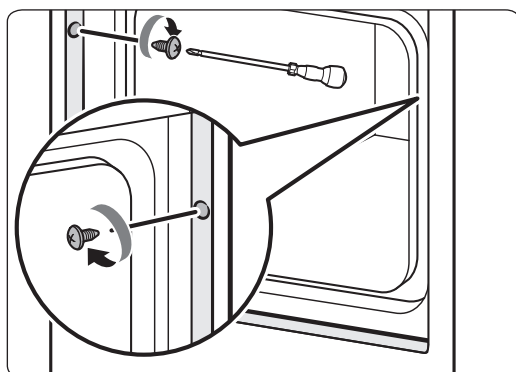
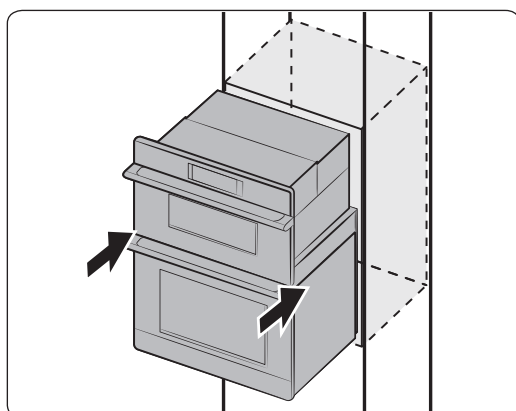
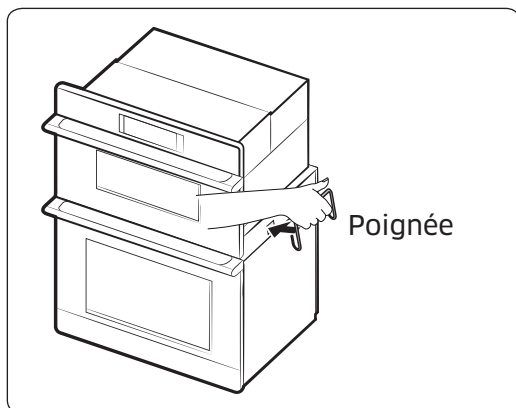
**IMPORTANT :** Utilisez le câble 3 fils au niveau de l'alimentation du domicile dans les États où les codes locaux autorisent un raccordement 3 fils.



1. Branchez les 2 fils noirs (C) ensemble à l'aide d'un serre-fils répertorié UL.
2. Reliez les 2 fils blancs (D) et le fil de mise à la terre vert (ou dénudé) (du câble du four), à l'aide d'un serre-fils répertorié UL.
3. Branchez les 2 fils rouges (G) ensemble à l'aide d'un serre-fils répertorié UL.
4. Remettez le cache de la boîte de jonction en place.

- A. Câble au niveau de l'alimentation du domicile
- B. Boîte de jonction
- C. Fils noirs (normalement L1)
- D. Fils blancs (normalement N, neutre)
- E. Fils verts (normalement G, masse)
- F. Conduit flexible 4 fils provenant du four
- G. Fils rouges (normalement L2)
- H. Serre-fils répertoriés UL
- I. Connecteur de conduit répertorié UL ou homologué CSA

## Installation du four



1. Avec l'aide de 2 personnes ou plus, soulevez partiellement le four pour le déposer dans le découpage du meuble. Utilisez la poignée comme indiqué ci-dessous.

### REMARQUE

- Poussez prudemment sur le cadre avant du four.
- Avant de passer à l'étape suivante, retirez les poignées d'installation.

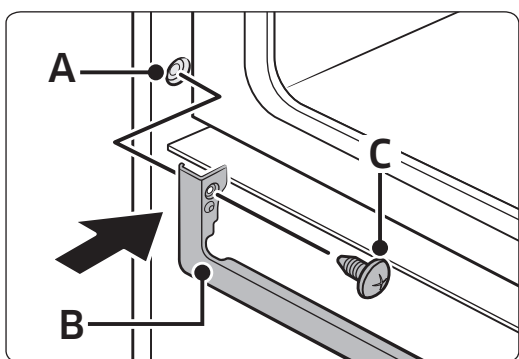
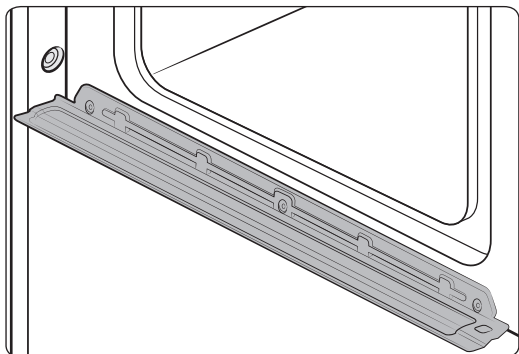
2. Poussez sur la zone à joint du cadre avant pour pousser le four à l'intérieur du meuble, jusqu'à ce que la surface arrière du cadre avant touche la paroi avant du meuble.

### ATTENTION

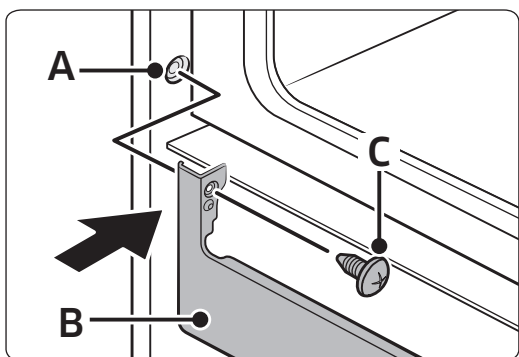
Poussez uniquement le four inférieur. Ne poussez pas le four supérieur. (Afin d'éviter des fuites de radiofréquence.)

3. Poussez complètement le four à l'intérieur du meuble et centrez-le dans le découpage du meuble.
4. Retirez les adhésifs sur les garnitures avant.
  - Attachez soigneusement le four au meuble à l'aide des vis fournies.
  - Insérez les vis dans le trou percé dans la garniture, en l'alignant avec le trou dans le cadre du four inférieur. Ne serrez pas trop les vis.

# Consignes d'installation



- A. Garniture gauche
- B. Garniture inférieure
- C. Vis



- A. Garniture gauche
- B. Garniture inférieure large
- C. Vis

## **⚠ AVERTISSEMENT**

Lors de l'insertion du four, faites attention à ne pas déformer ou endommager le capot de protection en dessous.

5. La garniture métallique inférieure est livrée dans un emballage en mousse. Pour installer la garniture métallique inférieure, reportez-vous aux instructions suivantes.
  - Alignez la languette de la garniture métallique inférieure avec un trou du côté gauche du module comme indiqué. Recommencez le mouvement du côté droit.
  - Avec une vis de chaque côté de la languette de la garniture, attachez solidement la garniture sur le four.

## **⚠ ATTENTION**

La porte du four inférieur doit être retirée avant de serrer la garniture.

6. Si la taille du découpage est supérieure de 1,5 pouce, utilisez la garniture métallique inférieure.

## **📄 REMARQUE**

Le four supérieur peut être fixé à l'aide de 4 vis et le four inférieur avec 2 vis.

## Contrôle du capteur de température et des éléments chauffants

- Après avoir raccordé l'appareil à l'alimentation, vérifiez si l'écran fonctionne correctement.
- Retirez tous les accessoires (grille coulissante, grille plate, etc.) présents à l'intérieur du four.
- Vous ne pouvez pas procéder à l'auto-diagnostic si l'intérieur du four est chaud ou si la porte est ouverte.
  - Dans ce cas, le message « Hot or door (Chaud ou porte) » s'affiche à l'écran.
- Pour démarrer l'auto-diagnostic, appuyez simultanément sur les deux touches cachées pendant 5 secondes.
  - Reportez-vous au tableau ci-dessous pour connaître les touches cachées sur chaque modèle.
  - L'auto-diagnostic dure environ 4 à 5 minutes.

Modèle	DOC30M977D*
Panneau de commande	
Touche cachée	MICROWAVE (MICRO-ONDES) + LOWER OVEN (FOUR INFÉRIEUR)

- S'il n'y a aucune erreur, le message « PASS » (RÉUSSI) s'affiche à l'écran avec un signal d'alerte.
- S'il y a une erreur, un message s'affiche à l'écran avec un signal d'alerte.

Modèle		DOC30M977D*	
		Code d'erreur	Remarque
Fonction	Gril inférieur	H-4	Four inférieur uniquement
	Zone inférieure de cuisson	H-3	

- Si une erreur survient, prenez contact avec un centre de dépannage Dacor pour obtenir une assistance.

### REMARQUE

Si un autre message que ceux répertoriés ci-dessus, veuillez prendre contact avec un centre de dépannage Dacor. Par exemple, appelez le 1-800-DACOR(793-0093).

# Dépannage

## Codes d'information

Code affiché	Cause possible	Solution
C-d0	Ce code apparaît si la touche Contrôle est court-circuitée pendant 1 minute.	Nettoyez les boutons et assurez-vous qu'il n'y a pas d'eau autour d'eux. Éteignez le four et réessayez. Si le problème persiste, prenez contact avec un centre de dépannage Dacor local.
C-d1	Ce code apparaît si le verrouillage de la porte est mal positionné.	Appuyez sur <b>PAUSE/OFF (PAUSE/ARRÊT)</b> et <b>OFF (ARRÊT)</b> , puis redémarrez le four. Si le problème persiste, coupez toute l'alimentation du four pendant au moins 30 secondes puis rétablissez-la. Si le problème n'est pas résolu, contactez le service technique.
C-F0	Ce code apparaît si la communication entre la carte de circuit imprimé principale et la carte de circuit imprimé secondaire est interrompue.	
C-F2	Ce code apparaît si la communication entre la carte de circuit imprimé principale et la carte de circuit imprimé des commandes tactiles est interrompue.	
C-20	Le capteur du four est ouvert lorsque le four est utilisé.	
	Le capteur du four est court-circuité lorsque le four est utilisé.	

Code affiché	Cause possible	Solution
C-21	Ce code apparaît si la température interne augmente à un niveau anormalement élevé.	Appuyez sur <b>PAUSE/OFF (PAUSE/ARRÊT)</b> et <b>OFF (ARRÊT)</b> , puis redémarrez le four. Si le problème persiste, coupez toute l'alimentation du four pendant au moins 30 secondes puis rétablissez-la. Si le problème n'est pas résolu, contactez le service technique.
C-23	Le capteur de la sonde thermique est court-circuité lorsque le four est utilisé.	
C-30	Le capteur de la carte de circuit imprimé est en circuit ouvert lorsque le four est utilisé.	
	Le capteur de la carte de circuit imprimé est court-circuité lorsque le four est utilisé.	
C-31	Ce code apparaît si la température de la carte de circuit imprimé augmente à un niveau anormalement élevé.	Contactez le service technique.
C-70	Le capteur de vapeur est en circuit ouvert lorsque le four est en cours de fonctionnement	Appuyez sur <b>PAUSE/OFF (PAUSE/ARRÊT)</b> et <b>OFF (ARRÊT)</b> , puis redémarrez le four. Si le problème persiste, coupez toute l'alimentation du four pendant au moins 30 secondes puis rétablissez-la. Si le problème n'est pas résolu, contactez le service technique.
	Le capteur de vapeur est court-circuité lorsque le four est en cours de fonctionnement	
C-72	Des problèmes relatifs au système de vidange sont détectés.	
C-A2	Le moteur de refroidissement fonctionne anormalement.	Contactez le service technique.



DE68-04479A-01

***dacor***<sup>®</sup>