

# SKSDW2411S POWERSTEAM® STAINLESS STEEL DISHWASHER

**SIGNATURE**  
KITCHEN SUITE



## QUADWASH™ PRO

High-pressure jets with 38% more cleaning power\*, spray dishes from multiple angles, while soaking them with over one million microbubbles to help break down stubborn food residue.

## DYNAMIC HEAT DRY™

Our Dynamic Heat Dry technology circulates hot air throughout the dishwasher for faster, more complete drying, delivering sparkling, table-ready dishes right off the rack including hard-to-dry plastics.

## 1-HOUR WASH & DRY CYCLE

The exclusive QuadWash™ Pro and Dynamic Heat Dry™ technology combine to deliver a 1-hour wash and dry cycle that delivers sparkling dishes in less time.

## TRUESTEAM® FOR CLEANABILITY AND SANITATION

Use the power of steam to maximum steam cleaning for better cleaning and fewer water spots, resulting in sparkling clean dishes. Plus, it is certified by the National Sanitation Foundation to reduce bacteria on dishes by 99.999% and reach a final rinse temperature greater than 150°F when operated on the Steam cycle\*\* for peace of mind.

## EASY LOADING AND MAXIMUM FLEXIBILITY

The EasyRack™ Plus system provides outstanding flexibility and convenience, adjusting to just about any load of dishes to help ensure optimal cleaning performance. The height adjustable 3rd rack provides more space and flexibility to fit virtually everything from flatware to wine glasses.

## Innovation

|  |     |
|--|-----|
| Wi-Fi Enabled for ThinQ® Control with iPhone / Android App | Yes |
| Remote Monitoring  | Yes |

## Performance

|                                   |                       |
|-----------------------------------|-----------------------|
| TrueSteam™ Technology             | Yes                   |
| QuadWash® Pro System              | Yes                   |
| Inverter Direct Drive™ Technology | Yes                   |
| LoDecibel™ Quiet Operation        | 40 dBA                |
| Number of Spray Arms              | 3 (Top, Upper, Lower) |
| SenseClean™ Wash System           | Yes                   |
| Vario Wash                        | Yes                   |
| Dynamic Heat Dry™                 | Yes                   |
| Hidden Water Heater               | Yes                   |
| 3-Stage Filtration System         | Yes                   |

## Features

|                                   |  |
|-----------------------------------|--|
| Number of Wash Cycles             | 10 (Auto, Heavy, Delicate, Refresh, Normal, 1-Hour, Download Cycle, Machine Clean, Rinse, Express) |
| Number of Options                 | 8 (Flex Zone, Steam, High Temp, Dry Boost, Delay Start, Control Lock, Night Dry, Remote Start)     |
| End of Cycle Indicator            | Beeper + END Indication on Display   |
| Detergent and Rinse-Aid Dispenser | Yes  |
| Tub Light                         | Yes  |

\*As compared to our standard QuadWash

\*\*TrueSteam Dishwashers certified by NSF achieve a minimum 99.999 percent reduction of bacteria when operated on the Steam cycle.

© 2023 Signature Kitchen Suite. All rights reserved. Design, features and specifications are subject to change without notice. Specifications are for planning purposes only. Consult the product's installation instructions for final dimensional data and other details prior to making cutouts or custom panels. Consult with a heating and ventilation engineer for your specific ventilation requirements. Non-metric weights and measurements are approximate. Smart features require Internet access.

1-855-790-6655 | [www.signaturekitchensuite.com](http://www.signaturekitchensuite.com)

# SKSDW2411S POWERTEAM® STAINLESS STEEL DISHWASHER

**SIGNATURE**  
KITCHEN SUITE

## Style and Design

|                                    |                              |
|------------------------------------|------------------------------|
| Electronic Controls                | Top Control                  |
| Signalight™ Cycle Indicator Lights | 3                            |
| Time Remaining Indicator           | LED                          |
| Tub Material                       | NeveRust™<br>Stainless Steel |
| Balanced Door                      | Yes                          |

## Capacity

|                                     |                            |
|-------------------------------------|----------------------------|
| Total Place Settings                | 15                         |
| EasyRack™ Plus System               | Yes                        |
| Height-Adjustable 3rd Rack          | Yes                        |
| Height Adjustable Upper Rack        | Yes                        |
| Cutlery Baskets                     | Yes                        |
| Cup Rack                            | Yes                        |
| Stemware Holder                     | Yes                        |
| Fold Down Tines                     | Full Fold<br>Upper / Lower |
| BPA-Free Nylon Coated Racks / Tines | Yes                        |
| Rack Handle                         | Upper / Lower              |
| Glide Rail                          | Yes (Upper)                |
| Wheel Bearing                       | Yes (Lower)                |

## Technical Specs

|                           |                              |
|---------------------------|------------------------------|
| ENERGY STAR® Certified    | Yes                          |
| CEE Tier Level            | 1                            |
| Energy Use (kWh/Year)     | 238 kWh/Year                 |
| Water Use (Gallons/Cycle) | 2.9                          |
| Required Power Supply     | 120 V, 60 Hz,<br>15 Amp      |
| Inlet Water Temperature   | 120 °F min. -<br>149 °F max. |
| Water Pressure            | 20 – 80 psi                  |

## Dimensions and Weight

|                                    |               |
|------------------------------------|---------------|
| Overall Width (Inches)             | 23 3/4"       |
| Overall Height (Inches)            | 33 5/8" - 36" |
| Overall Depth (Inches)             | 24 5/8"       |
| Depth with Door Closed with Handle | 26 13/16"     |
| Depth with Door Open               | 49 1/4"       |
| Net Weight (approx.)               | 92 lbs.       |
| Shipping Weight (approx.)          | 104 lbs.      |

## Warranty Summary\*

|  |          |
|--|----------|
| Limited Warranty, Parts & Labor  | 3 Years  |
| Limited Warranty on Control Board, Rack Parts, and Stainless Steel Door Liner or Tub, Parts Only | 5 Years  |
| Limited Warranty on Direct Drive Motor, Parts Only   | 10 Years |

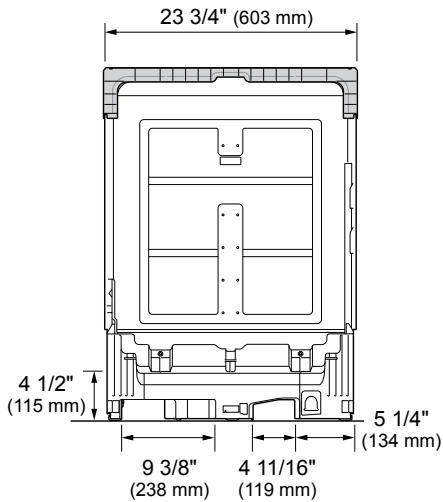
\*These warranties give you specific legal rights and you may have other rights that vary from state to state. For complete warranty details, refer to your Use & Care manual.

# SKSDW2411S POWERTEAM® STAINLESS STEEL DISHWASHER

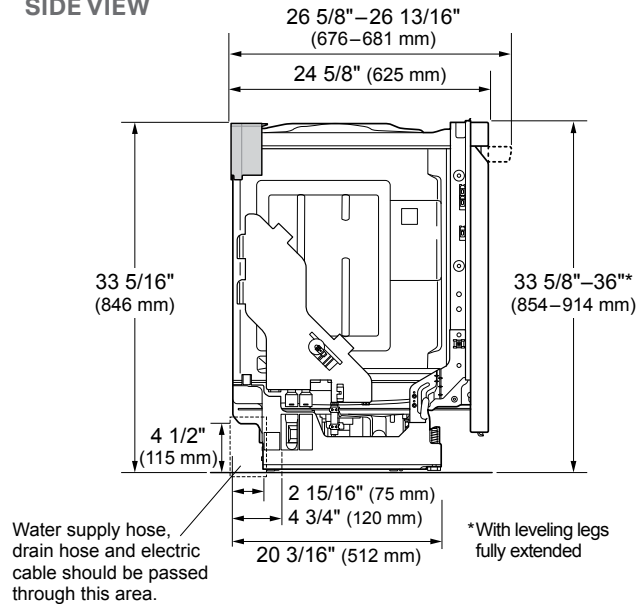
**SIGNATURE**  
KITCHEN SUITE

## OVERALL PRODUCT DIMENSIONS

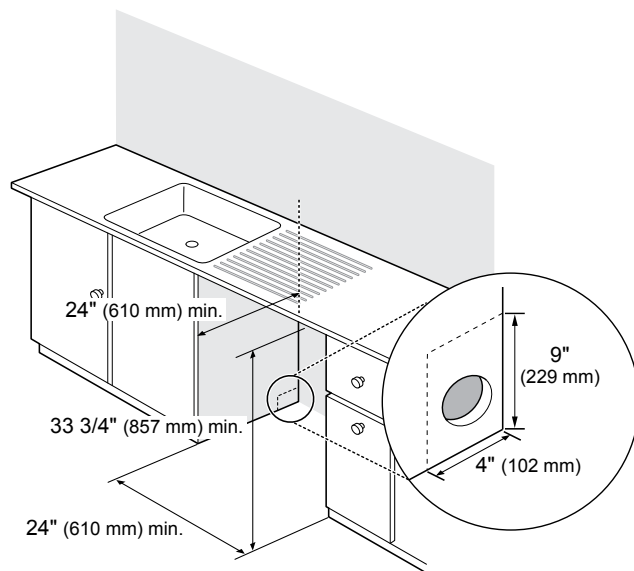
### BACK VIEW



### SIDE VIEW



## INSTALLATION CLEARANCES



### Notes

This dishwasher is designed to fit a standard dishwasher opening. An opening may be needed on both sides to route plumbing and electrical connections. See marked areas above for water and electrical clearances in base of dishwasher.

To ensure proper drainage, install the dishwasher no more than 12 ft. (3.65 m) from the sink.

Electrical connection should be in an accessible location adjacent to and not behind the dishwasher and within 4 ft. (1.2 m) of the dishwasher's side.