



# 36" COUNTER DEPTH REFRIGERATOR WITH REVEAL™ DOOR

DRF36C500



## AVAILABLE MODELS

DRF36C500SR/DA

Silver Stainless

## FEATURES & BENEFITS

- Reveal™ door
- Dual ice maker with cubed ice and Ice Bites™
- Beverage Center with interior water pitcher and water dispenser
- Metal Cooling stainless steel back interior
- Digital display control panel with SmartThings® Wi-Fi control
- Dedicated egg basket
- 15 year warranty on digital inverter compressor
- LED lighting
- R600a refrigerant

## WARRANTY

|                                |          |
|--------------------------------|----------|
| FULL COVERAGE                  | 2 YEARS  |
| SEALED SYSTEM, PARTS AND LABOR | 6 YEARS  |
| SEALED SYSTEM, PARTS ONLY      | 12 YEARS |
| COMPRESSOR, PARTS ONLY         | 15 YEARS |

## CONTROL FEATURES

|                      |                  |
|----------------------|------------------|
| CONTROL TYPE         | DIGITAL INTERIOR |
| WI-FI + SMARTTHINGS® | YES              |
| SABBATH MODE         | YES              |

## FEATURES

|                             |   |
|-----------------------------|---|
| TOTAL CAPACITY (CU. FT.)    | 22.8                                      |
| PUSH-TO-OPEN™               | NO  |
| WATER DISPENSER             | INTERIOR LEFT DOOR BEVERAGE CENTER        |
| ICE MAKER                   | CUBED ICE AND ICE BITES™                  |
| IQ REMOTEVIEW™ CAMERA       | NO  |
| LED LIGHTING                | YES                                       |
| INTERIOR MATERIAL           | METAL COOLING (STAINLESS STEEL BACK WALL) |
| DIGITAL INVERTER COMPRESSOR | YES                                       |
| REFRIGERANT                 | R600a                                     |
| REFRIGERATOR DRAWERS        | 2   |
| FREEZER DRAWERS             | 2   |
| DOOR BINS                   | 6 (REFRIGERATOR), 6 (FREEZER)             |
| SHELVES                     | 4 (REFRIGERATOR), 4 (FREEZER)             |
| DOOR ALARM                  | YES                                       |

## REFRIGERATOR

|                                 |              |
|---------------------------------|--------------|
| REFRIGERATOR CAPACITY (CU. FT.) | 13.7         |
| REFRIGERATOR TEMPERATURE        | 34°F TO 44°F |
| POWER COOL                      | YES          |

## FREEZER

|                            |             |
|----------------------------|-------------|
| FREEZER CAPACITY (CU. FT.) | 9.1         |
| FREEZER TEMPERATURE        | -8°F TO 5°F |
| POWER FREEZE               | YES         |

## WEIGHTS & DIMENSIONS

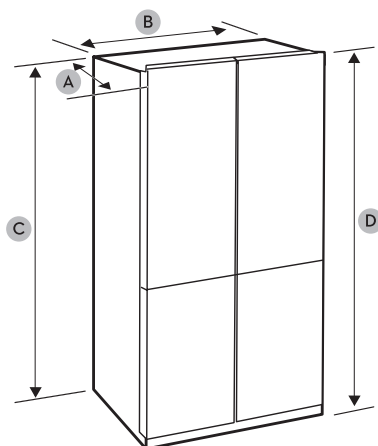
|  |                      |
|--|----------------------|
| SHIPPING WEIGHT (LBS.)                   | 315                  |
| NET WEIGHT (LBS.)                        | 295                  |
| PRODUCT DIMENSIONS (W X H X D IN INCHES) | 35-7/8 X 70 X 28-1/2 |

## TECHNICAL DETAILS

|                         |                        |
|-------------------------|------------------------|
| ELECTRICAL REQUIREMENTS | 115 - 120V, 60 HZ, 10A |
|-------------------------|------------------------|

## ACCESSORIES

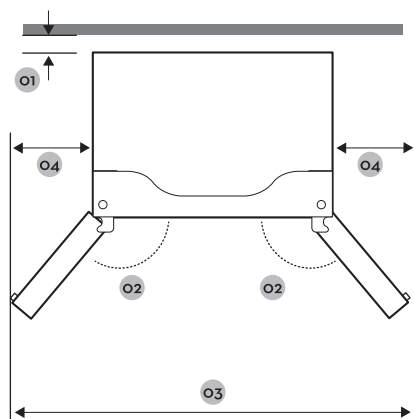
|                |                                |
|----------------|--------------------------------|
| RAC00WFAAAA/DA | Water Filter for Refrigeration |
|----------------|--------------------------------|



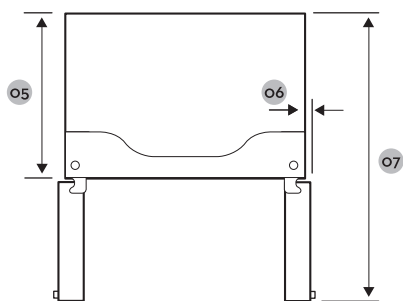
### CLEARANCE

See the following figures and tables for installation space requirements

| APPLIANCE DIMENSIONS |                   |
|----------------------|-------------------|
| DEPTH (A)            | 28-1/2" (723 mm)  |
| WIDTH (B)            | 35-7/8" (921 mm)  |
| HEIGHT (C)           | 68-7/8" (1748 mm) |
| OVERALL HEIGHT (D)   | 70" (1779 mm)     |



| INSTALLTION |                                  |
|-------------|----------------------------------|
| O1          | More than 2" (50 mm) recommended |
| O2          | 125°                             |
| O3          | 58" (1,472 mm)                   |
| O4          | 11-1/8" (282 mm)                 |
| O5          | 24" (610 mm)                     |
| O6          | 1-7/8" (47 mm)                   |
| O7          | 43" (1,093 mm)                   |



### NOTE

The measurements in the tables may differ slightly from the actual measurements, depending on the measuring and rounding method.

®/™ © 2022. Dimensions are for planning purposes only. For complete details, see Installation Instructions packed with product. Specifications subject to change without notice. For product questions, visit [www.dacor.com](http://www.dacor.com) or call Customer Assurance at (833) 83-ELITE.

Specification revised 05/2022

Appliance must be enable iQ Control. Wi-Fi & SmartThings\* app required. Compatible smart appliance required. Features subject to change. Details and privacy info at <https://www.dacor.com/about-us/privacy-policy>.