



# Wine Cellar

---

## User manual

RW51TS338SR/AA

**SAMSUNG**

# Contents

---

<b>Safety Information</b>	<b>3</b>
What you need to know about the safety instructions	3
Important Safety Symbols and Precautions	4
State of California Proposition 65 Warning (US only)	4
Important safety precautions	4
Severe Warning Signs for Transportation and Site	5
Critical Installation Warnings	6
Installation Cautions	8
Critical Usage Warnings	9
Usage Cautions	12
Cleaning Cautions	13
Critical Disposal Warnings	14
Intended Use	14
<b>Installation</b>	<b>15</b>
Wine Cellar at a glance	15
Features	16
Select a site	17
<b>Operations</b>	<b>21</b>
Control Panel	21
Setting The Temperature Controls	22
Function Instruction	22
<b>Care and Maintenance</b>	<b>24</b>
Cleaning	24
<b>Troubleshooting</b>	<b>25</b>
General	25
Abnormal Sounds	26
<b>LIMITED WARRANTY (U.S.A.)</b>	<b>28</b>
SAMSUNG REFRIGERATOR	28

# Safety Information

---

Before using your new wine cellar, please read this manual thoroughly to ensure that you know how to operate the features and functions that your new appliance offers safely and efficiently.

## What you need to know about the safety instructions

---

- This appliance is not intended for use by persons (including children) with reduced physical, sensory or mental capabilities, or lack of experience and knowledge, unless they have been given supervision or instruction concerning use of the appliance by a person responsible for their safety. Children should be supervised to ensure that they do not play with the appliance.
- Because the following instructions cover various models, the characteristics of your wine cellar may differ slightly from the wine cellar described in this manual.
- If you have any question, contact us at 1-800-SAMSUNG or find help and information online at [www.samsung.com](http://www.samsung.com).
- Refrigerant squirting out of the pipes could ignite or cause an eye injury. When refrigerant leaks from the pipe, avoid any naked flames and move anything flammable away from the product and ventilate the room immediately.
  - Failing to do so may result in fire or explosion.
- Improper use of the grounding plug can result in a risk of electric shock. If it is necessary to use an extension cord, use only a 3-wire extension cord that has a 3-blade grounding plug and a 3-slot receptacle that will accept the plug on the appliance. The marked rating of the extension cord should be AC 115-120 V, 10 A, or more. If a grounding adapter is used, make sure the receptacle box is fully grounded.

# Safety Information

---

## Important Safety Symbols and Precautions:

---

Please follow all safety instructions in this manual. This manual uses the following safety symbols.

### **WARNING**

Hazards or unsafe practices that may result in **severe personal injury, property damage, and/or death.**

### **CAUTION**

Hazards or unsafe practices that may result in **severe personal injury and/or property damage.**

### **NOTE**

Useful information that helps users understand or benefit from the wine cellar.

These warning signs are here to prevent injury to you and others.

Please follow them carefully.

After reading this section, keep it in a safe place for future reference.

## State of California Proposition 65 Warning (US only)

---

### **WARNING**

Cancer and Reproductive Harm - [www.P65Warnings.ca.gov](http://www.P65Warnings.ca.gov).

## Important safety precautions

---



Warning; Risk of fire / flammable materials

### **WARNING**

- R-600a is used as a refrigerant. This product contains flammable gas (Refrigerant R-600a), contact your local authority in regard to safe disposal of this product.
- In order to avoid the creation of a flammable gas-air mixture if a leak in the refrigerating circuit occurs, the size of the room in which the appliance may be sited depends on the amount of refrigerant used. The room must be 35.3 ft<sup>3</sup> in size for every 8 g of R-600a refrigerant inside the appliance.
- The installation location should not be exposed to direct sunlight and not placed near any electric appliance or heat source, e.g. stove, oven, radiator, etc.



# Safety Information

---

- If you use two products side by side, for safety reason, be sure to use certified products in explosive gas atmospheres.
- Never start up an appliance showing any signs of damage. If in doubt, consult your dealer.
- If the supply cord is damaged, it must be replaced by the manufacturer, its service agent or similarly qualified persons in order to avoid a hazard.
- The socket must be easily accessible so that the appliance can be quickly disconnected from the supply in an emergency. It must be outside the area of the rear of the appliance.
- Do not store explosive substances such as aerosol cans with a flammable propellant in this appliance.
- To avoid a hazard due to instability of the appliance, it must be fixed in accordance with the instructions.

## Severe Warning Signs for Transportation and Site

---

### **WARNING**

- When transporting and installing the appliance, care should be taken to ensure that no parts of the refrigerating circuit are damaged.
  - Refrigerant leaking from the pipe work could ignite or cause an eye injury. If a leak is detected, avoid any naked flames or potential sources of ignition and air the room in which the appliance is standing for several minutes.
  - This appliance contains a small amount of isobutane refrigerant (R-600a), a natural gas with high environmental compatibility but also flammable.



# Safety Information

---

## Critical Installation Warnings

---

### **WARNING**

- Do not install the wine cellar in a damp location or place where it may come in contact with water.
  - Deteriorated insulation on electrical parts may cause an electric shock or fire.
- Do not place this wine cellar in direct sunlight or expose it to heat from stoves, room heaters, or other appliances.
- Do not plug several appliances into the same power strip. The wine cellar should always be plugged into its own individual electrical outlet which has a voltage rating that matches the voltage listed on the wine cellar's rating plate.
  - This provides the best performance and also prevents overloading of house wiring circuits, which could overheat the wires and cause a fire hazard.
- If the wall socket is loose, do not insert the power plug.
  - There is a risk of electric shock or fire.
- Do not use a power cord that has cracks or abrasion damage along its length or at either end.
- Do not bend the power cord excessively or place heavy objects on it.
- Do not pull or excessively bend the power cord.
- Do not twist or tie the power cord.
- Do not hook the power cord over a metal object, insert the power cord between objects, or push the power cord into the space behind the appliance.
- Never unplug your wine cellar by pulling on the power cord. Always grip the plug firmly and pull straight out from the outlet.
  - Damage to the cord may cause a short-circuit, fire, and/or electric shock.
- Do not store explosive substances such as aerosol cans with a flammable propellant in this appliance.
- Do not install this appliance near flammable material.
- Do not install this appliance in a location where gas may leak.
  - This may result in an electric shock or fire.
- This wine cellar must be properly located and installed in accordance with the instructions in this manual before you use it.
- Connect the power plug in the proper position with the cord hanging down.
  - If you connect the power plug upside down, the wire can get cut off and cause a fire or electric shock.
- Make sure that the power plug is not crushed or damaged by the back of the wine cellar.



# Safety Information

---

- Keep the packing materials out of reach of children.
  - There is a risk of death from suffocation if a child puts the packing materials on his or her head.
- The appliance must be positioned so that the plug is accessible after installation.
  - Failing to do so may result in an electric shock or fire due to electric leakage.
- Do not install this appliance in a humid, oily or dusty location, or in a location exposed to direct sunlight or to water (rain drops).
  - Deteriorated insulation on electrical parts may cause an electric shock or fire.
- If large amounts of dust or water enter the wine cellar, turn off the power switch and contact your service center.
  - Otherwise there is a risk of fire.
- You need to remove all the protective plastic film before you initially plug the product in.
- Children should be supervised to ensure that they do not play with the snap rings used for door adjustment or the water tube clips.
  - There is risk of death by suffocation if a child swallows a snap ring or water tube clip. Keep the snap rings and water tube clips out of children's reach.
- The wine cellar must be safely grounded.
  - Always make sure that you have grounded the wine cellar before attempting to investigate or repair any part of the appliance. Power leakages can cause severe electric shock.
- Never use gas pipes, telephone lines, or other potential lightning attractors as an electrical ground.
  - You must ground the wine cellar to prevent any power leakages or electric shocks caused by current leakage from the wine cellar.
  - This may result in an electric shock, fire, explosion, or problems with the product.
  - Improper use of the grounding plug can result in a risk of electric shock. If it is necessary to use an extension cord, use only a 3-wire extension cord that has a 3-blade grounding plug and a 3-slot receptacle that will accept the plug on the appliance. The marked rating of the extension cord should be AC 115-120 V, 10 A, or more. If a grounding adapter is used, make sure the receptacle box is fully grounded.
- Plug the power plug into the wall socket firmly. Do not use a damaged power plug, damaged power cord, or loose wall socket.
  - This may result in an electric shock or fire.
- If the power cord is damaged, have it replaced immediately by the manufacturer or one of its service agents.

# Safety Information

---

- Only a qualified technician or service company should be allowed to change the fuse in the wine cellar.
  - Failing to do so may result in an electric shock or personal injury.
- The wall socket must be easily accessible so that the appliance can be quickly disconnected from the wall socket in an emergency.
- It must be outside the area of the rear of the appliance.
- When positioning the appliance, ensure the power cord is not trapped or damaged.
- Do not locate multiple socket-outlets or power supplies at the rear of the appliance.
- Keep ventilation openings, in the appliance enclosure or in the built-in structure, clear of obstruction.

## Installation Cautions

---

### CAUTION

- Allow sufficient space around the wine cellar and install it on a flat surface.
  - Keep the ventilation space in the appliance enclosure or mounting structure clear of obstructions.
- After you have installed the wine cellar and turned it on, allow the appliance to stand for 2 hours before loading it with wine.
- It is strongly recommended you have a qualified technician or service company install the wine cellar.
  - Failing to do so may result in an electric shock, fire, explosion, problems with the product, or injury.



# Safety Information

---

## Critical Usage Warnings

---

### **WARNING**

- Do not insert the power plug into a wall socket with wet hands.
  - This may result in an electric shock.
- Do not store articles on the top of the appliance.
  - When you open or close the door, the articles may fall and cause personal injury and/or material damage.
- Do not insert hands, feet or metal objects (such as utensils, etc.) into the bottom or the back of the wine cellar.
  - This may result in an electric shock or injury.
  - Any sharp edges may cause a personal injury.
- Do not put a container filled with water on the wine cellar.
  - If spilled, there is a risk of fire or electric shock.
- Do not keep volatile or flammable objects or substances (benzene, thinner, propane gas, alcohol, ether, LP gas, and other such products) in the wine cellar.
  - This wine cellar is for storing wine only.
  - This may result in fire or explosion.
- Children should be supervised to ensure that they do not play with the appliance.
  - Keep fingers out of “pinch point” areas. Clearances between the doors and cabinet are necessarily small. Be careful when you open the doors if children are in the area.
- Do not let children hang on the door. A serious injury may occur.
- Do not let children go inside the wine cellar. They could become trapped.
- Do not insert your hands into the area under the appliance.
  - Any sharp edges may cause personal injury.
- Do not store pharmaceutical products, scientific materials, or temperature sensitive products in the wine cellar.
  - Products that require strict temperature controls must not be stored in the wine cellar.
- Do not place or use electrical appliances inside the wine cellar, unless they are of a type recommended by the manufacturer.
- If you smell smoke, turn off the power switch immediately, and then contact your service center.
- If large amounts of dust or water enter the wine cellar, disconnect the power plug and contact your service center.
  - Otherwise there is a risk of fire.
- Do not leave the door of the wine cellar open while the wine cellar is unattended and do not let children enter the wine cellar.
  - It can cause death from suffocation by entrapment or personal injury.

# Safety Information

---

- Do not overfill the wine cellar with wine.
  - When you open the door, an item may fall out and cause personal injury or material damage.
- Do not spray volatile material such as insecticide onto the surface of the appliance.
  - As well as being harmful to humans, it may also result in an electric shock, fire, or problems with the product.
- Do not use or place any substances sensitive to temperature such as flammable sprays, flammable objects, dry ice, medicine, or chemicals near or inside the wine cellar.
- Do not use a hair dryer to dry the inside of the wine cellar. Do not place a lighted candle in the wine cellar to remove bad odors.
  - This may result in an electric shock or fire.
- Do not use mechanical devices or any other means to accelerate the defrosting process, other than those recommended by the manufacturer.
- Do not damage the refrigerant circuit.
- If a gas leak is detected, avoid any naked flames or potential sources of ignition, and air the room in which the appliance is standing for several minutes.
  - Do not touch the appliance or power cord.
  - Do not use a ventilating fan.
  - A spark may result in an explosion or fire.
- Use only the LED lamps provided by the manufacturer or its service agents.
- Do not attempt to repair, disassemble, or modify the wine cellar yourself.
  - Unauthorized modifications can cause safety problems. To reverse an unauthorized modification, we will charge the full cost of parts and labor.
- Do not use any fuse (such as cooper, steel wire, etc.) other than a standard fuse.
- If your wine cellar needs to be repaired or reinstalled, contact your nearest service center.
  - Failing to do so may result in an electric shock, fire, problems with the product, or injury.
- If the interior or exterior LED lamp has gone out, contact your nearest service center.
- If the wine cellar emits a burning smell or smoke, unplug the wine cellar immediately and contact a service center.
  - Failing to do so may result in an electric or fire hazards.
- Pull the power plug out of the socket before changing the interior lamps of the wine cellar.
  - Otherwise, there is a risk of electric shock.
- If you experience difficulty changing a non-LED light, contact a service center.

# Safety Information

---

- If the product is equipped with LED lamps, do not disassemble the lamp covers and LED lamps yourself.
  - Contact a service center.
- Plug the power plug into the wall socket firmly.
- Do not use a damaged power plug, damaged power cord, or loose wall socket.
  - This may result in an electric shock or fire.
- Do not expose the interior accessories, such as wine racks, bottle presenters, and shelf to direct sunlight for long.

# Safety Information

---

## Usage Cautions

---

### CAUTION

- To get the best performance from the product:
  - Do not place wine too close to the vents at the rear of the wine cellar as this can obstruct free air circulation in the wine cellar compartment.
- Service warranty and modification.
  - Any changes or modifications performed by a 3rd party on this finished appliance are not covered under warranty service, nor is responsible for safety issues that result from 3rd party modifications.
- Do not block the air vents inside the wine cellar.
  - If the air vents are blocked, especially with a plastic bag, the wine cellar can be over cooled.
- If the wine cellar is disconnected from the power supply, you should wait for at least five minutes before plugging it back in.
- If large amounts of water enter the wine cellar, turn off the power switch and contact a service center.
- Do not strike or apply excessive force to any glass surface.
  - Broken glass may result in a personal injury and/or property damage.
- If the wine cellar is flooded, shut off the power to the wine cellar and contact your nearest service center.
  - There is a risk of electric shock or fire.

# Safety Information

---

## Cleaning Cautions

---

### CAUTION

- Do not spray water directly on the inside or outside the wine cellar.
  - There is a risk of fire or electric shock.
- Do not use a hair dryer to dry the inside of the wine cellar.
- Do not place a lighted candle in the wine cellar to remove bad odors.
  - This may result in an electric shock or fire.
- Do not spray cleaning products directly on the display.
  - Printed letters on the display may come off.
- If any foreign substance such as water has entered the appliance, unplug the power and contact your nearest service center.
  - Failing to do so may result in an electric shock or fire.
- Use a clean, dry cloth to remove any foreign matter or dust from the power plug blades. Do not use a wet or damp cloth when cleaning the plug.
  - Otherwise, there is a risk of fire or electric shock.
- Do not clean the appliance by spraying water directly onto it.
- Do not use benzene, thinner, or Clorox (bleach) to clean the wine cellar.
  - They may damage the surface of the appliance and may cause a fire.
- Before cleaning or performing maintenance, unplug the appliance from the wall socket.
  - Failing to do so may result in an electric shock or fire.



# Safety Information

---

## Critical Disposal Warnings

---

### **WARNING**

- **Warning** : Risk of child entrapment. Before you throw away your old wine cellar:
  - Take off the doors and door latch.
  - Leave the shelves in place so that children may not easily climb inside.
  - Children trapped inside a wine cellar can hurt themselves or suffocate to death.
- Please dispose of the packaging material from this product in an environmentally friendly manner.
- Ensure that none of the pipes on the back of the wine cellar are damaged prior to disposal.
- R-600a is used as a refrigerant. This product contains flammable gas (Refrigerant R-600a), contact your local authority in regard to safe disposal of this product.
- Cyclopentane is used in the insulation. The gases in the insulation material require a special disposal procedure. Please contact your local authorities in regard to the environmentally safe disposal of this product.
- Keep all packaging materials well out of the reach of children, as packaging materials can be dangerous to children.
  - If a child places a bag over his or her head, the child could suffocate.

## Intended Use

---

- staff kitchen areas in shops, offices and other working environments;
- farm houses and by clients in hotels, motels and other residential type environments;
- bed and breakfast type environments;
- catering and similar non-retail applications.
- This appliance is intended for use at an elevation of no more than 2000 meters above sea level.





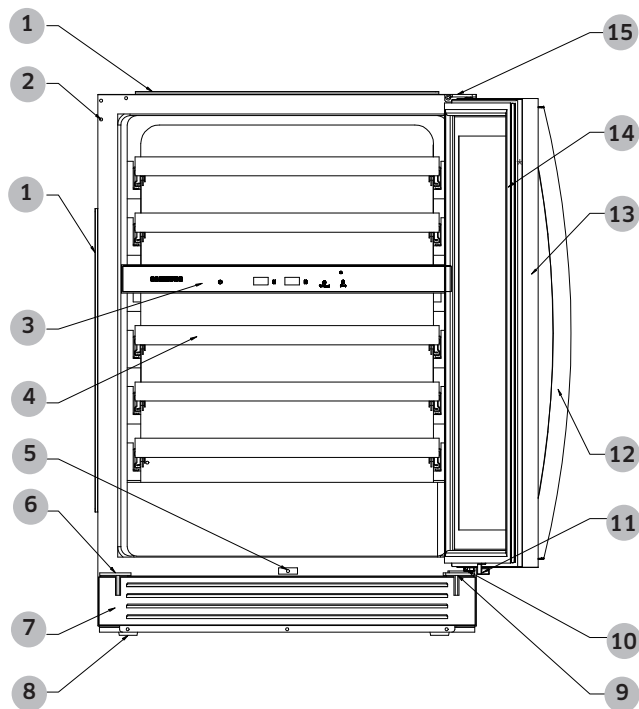
# Installation

Follow these instructions carefully to ensure a proper installation of this refrigerator and to prevent accidents before using it.

## **WARNING**

- Use the refrigerator only for its intended purpose as described in this manual.
- Any servicing must be performed by a qualified technician.
- Dispose of the product packaging material in compliance with the local regulations.
- To prevent electric shock, unplug the power cord before servicing or replacements.

## Wine Cellar at a glance

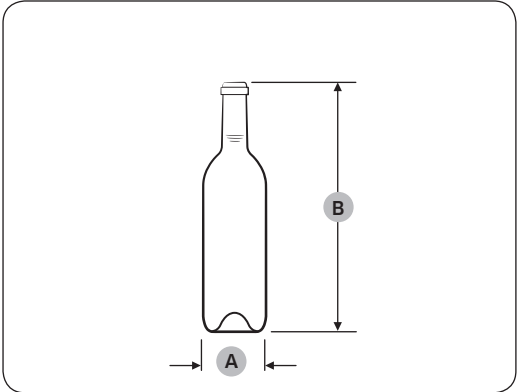


- 01** Fixing bracket
- 02** Decorative nail
- 03** Display panel
- 04** shelf
- 05** Door switch
- 06** Lower hinge module, Left
- 07** Decorative frame
- 08** Cabinet leg
- 09** Lower hinge module, Right
- 10** Door stopper
- 11** Extrusion-board of lamp switch
- 12** Handle
- 13** Door
- 14** Gasket
- 15** Top hinge module, Right

# Installation

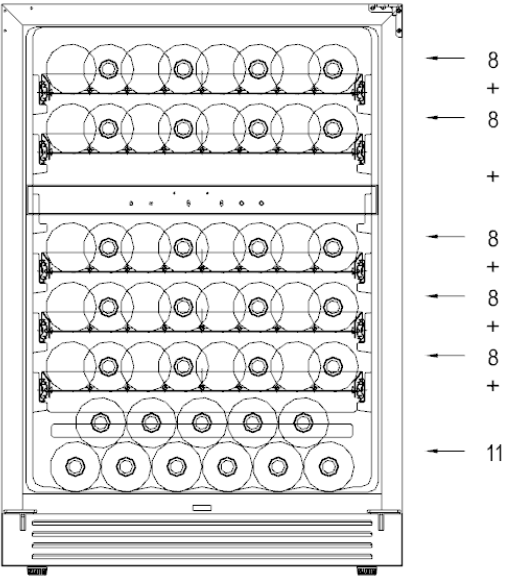
## Features

### Standard bottle size



A	$\text{Ø} 3 \frac{1}{32}'' (\text{Ø } 77)$
B	3" (301)

### Load capacity



Load capacity		Bottles
Upper zone	1	8
	2	8
Lower zone	1	8
	2	8
	3	8
	4	11
Total		51

# Installation

## Select a site

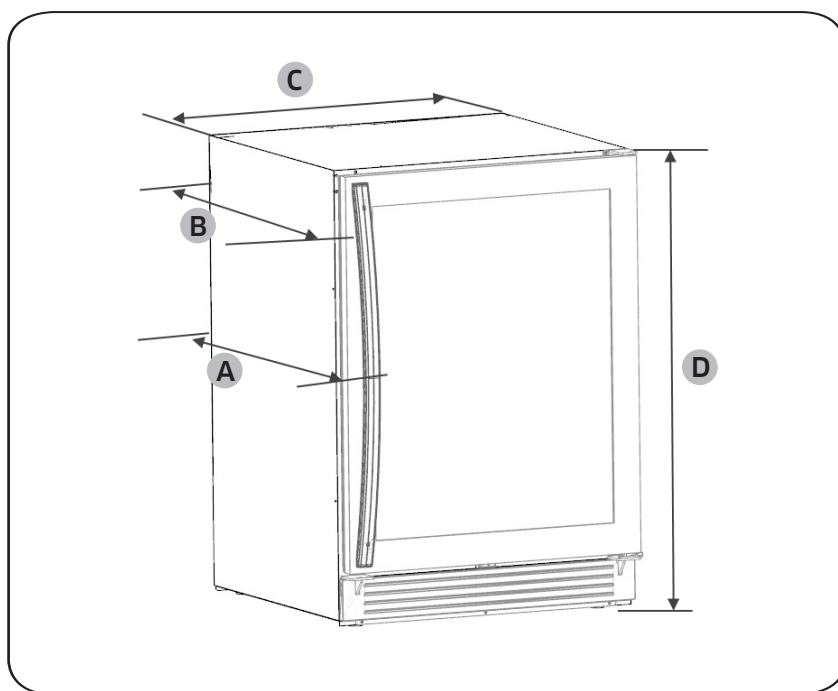
### Site requirements

- Solid, level surface without carpeting or flooring that may obstruct ventilation
- Away from direct sunlight
- Adequate room for opening and closing the door
- Away from a heat source
- Room for maintenance and servicing
- Temperature range: between 60 °F (16 °C ) and 90 °F (32 °C)

### Clearance

See the pictures and table below for space requirements for installation.

## Product Dimension

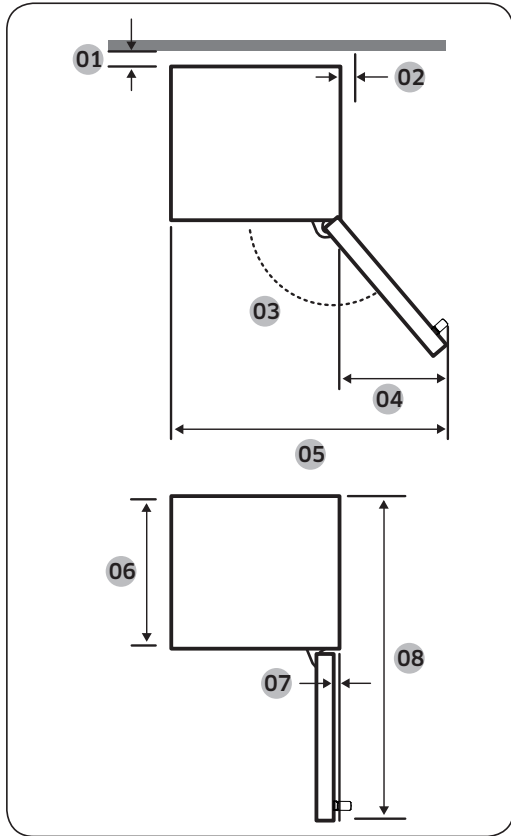


Depth (With Handle) "A"	26 " (661 mm)
Depth (Without Handle) "B"	23 <sup>13</sup> / <sub>16</sub> " (605 mm)
Width "C"	23 <sup>13</sup> / <sub>16</sub> " (605 mm)
Height "D"	34 <sup>1</sup> / <sub>16</sub> ~34 <sup>1</sup> / <sub>4</sub> " (865~870 mm)

(unit: inch (mm))

# Installation

## Product Overall Dimension



01	more than 1 1/16" (30 mm) recommended
02	1/8" (2.5 mm)
03	115°
04	11 7/16" (290 mm)
05	35 1/4" (895 mm)
06	21 7/8" (555 mm)
07	3/16" (5 mm)
08	46 3/4" (1188 mm)

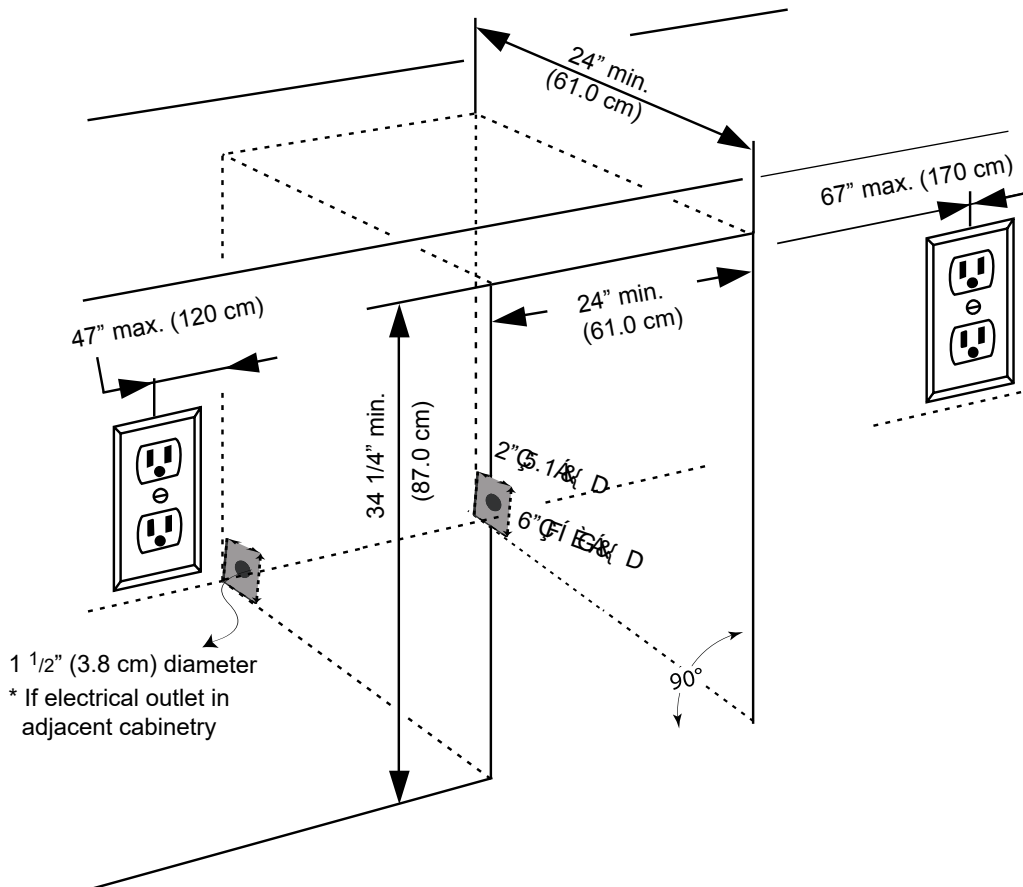
(unit: inch (mm))

### NOTE

- The measurements in the above table may differ, depending on the measuring method.
- For built-in installation, see the Installation Manual.

# Installation

## Installation specifications for built-in purposes



- Gloves and safety goggles should be worn during installation.
- It is not recommended to install the appliance into a corner or directly beside a wall. The door will need to be opened more than 90° to allow full extension of the shelves. If it is necessary to place the unit next to a wall or in a corner, leave at least 2-4 inches (5-10 cm) of space between the wall and the appliance to allow for the door opening.
- The cabinet opening must be at least 24 inches (61.0 cm) wide by 34 1/4 inches (87.0 cm) high by 24 inches (61.0 cm) deep.

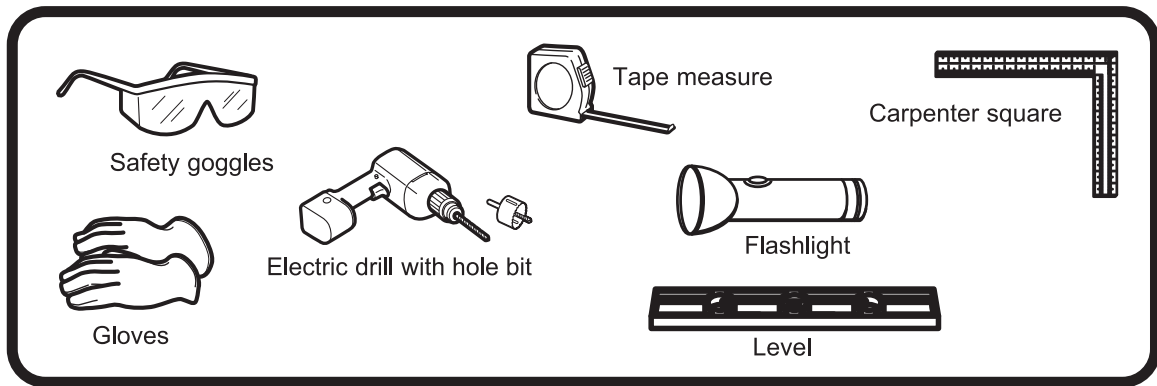
### NOTE

The listed depth requirement is assuming that the electrical outlet is located in the adjacent cabinetry or flush mounted in the rear wall, not surface mounted inside the enclosure.

If the electrical outlet is located inside adjacent cabinetry, cut a 1 1/2 inch (3.8 cm) diameter hole to admit the power cord. If the cabinet wall is metal, the hole edge must be covered with a bushing or grommet

# Installation

## Required Tools

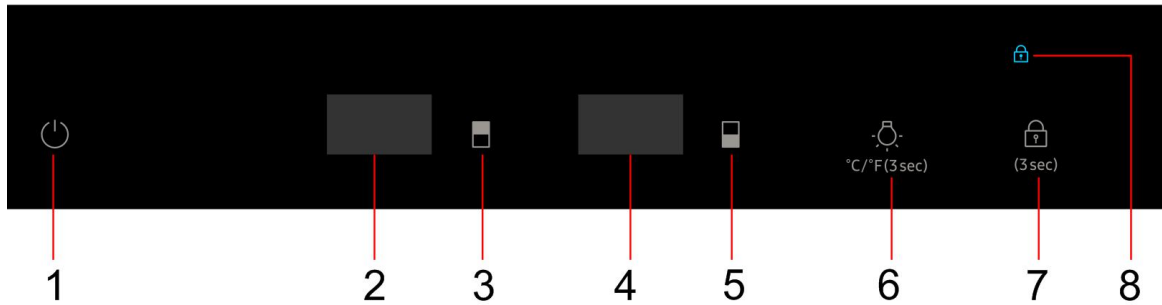









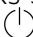
- Safety goggles
- Gloves
- Tape measure
- Carpenter square
- Level
- Flashlight
- Electric drill with hole bit



# Operations

## Control Panel





- 1 “  ” Button**  
To control this appliance turn on/off.
- 2 “ Left” Chamber**  
Upper chamber temperature display.
- 3 “  ” Button**  
It control the setting temperature for the upper compartment.
- 4 “ Right” Chamber**  
Lower chamber temperature display.
- 5 “  ” Button**  
It control the setting temperature for the lower compartment.
- 6 “  ”Button**  
A. touch this button will have a beeping sound, left chamber trun off and right chamber showing brightness level number of the light. If do not want to change brightness level, do not touch the control and the display will switch to temperature after 3 seconds.  
If want to change brightness level, touch this button once, brightness level number change once (level 2 → 3 → 0 → 1 → 2 ...).  
Display will return to temperature 3 seconds after finish adjustment.  
B. long press this button 3 seconds will have a beeping sound, temperature unit will switch between °C and °F.
- 7 “  ”Button**  
(3sec)  
Long press lock icon 3 seconds, will have a beeping sound and lock icon on  .  
The system enter Lock mode to lock control panel. The system will not have action when press buttons under Lock mode.  
Long press lock icon 3 seconds under lock mode, will have a beeping sound and lock icon  blinks 3 times and off, the control panel unlock. When wine cooler is locked, can not use  icon to turn off the device.

# Operations

---

## Setting The Temperature Controls

---

- When pressing “” or “” button, the system will be entering the set up mode in the upper or lower compartment automatically. The LED will flashing and display the setting temperature. Press once the button, the temperature will increase 1°F (°C) . When exceeding the max that can be established, it will jump to the lowest adjustable temperature value automatically. After stopping pressing the button for 3 seconds, LED figure will stop flash, then revert back to display the temperature of the upper or lower actual compartment. After the unit is unplugged, the system will return to acquiescence temperature, which setting by factory

## Function Instruction

---

- The default temperature setting is 54°F (12°C) in both the upper and lower zones. The default temperature scale is °F
- To switch the display between °F and °C, press the upper and lower temperature buttons simultaneously for approximately 3-5 seconds.
- The temperature can be set as low as 45°F (5°C) or as high as 64°F (18°C).
- Actual temperature inside the appliance can vary based on ambient temperature, how often the door is opened and how many warm bottles have recently been added to the appliance.
- Each depression of the upper or lower temperature button will lower the temperature of that zone in 1°C increments
- **Temperature Recollection Function**  
In the event of a power interruption, wine cooler can remember the previous temperature settings, and when the power is recovery, the cooler temperature will go back the same setting temperature as power off.
- **Overtime Open the Door Alarm**  
If the door is open for 2 minutes, an alarm will sound.  
If the door remains open after the initial alarm, the alarm sounds every minute. Door open alarm comes with sound and flashing lights inside.

# Operations

- **Overtime Open the Door Alarm**

If the door is open for 2 minutes, an alarm will sound.

If the door remains open after the initial alarm, the alarm sounds every minute. Door open alarm comes with sound and flashing lights inside.

- **Temperature Alarm**

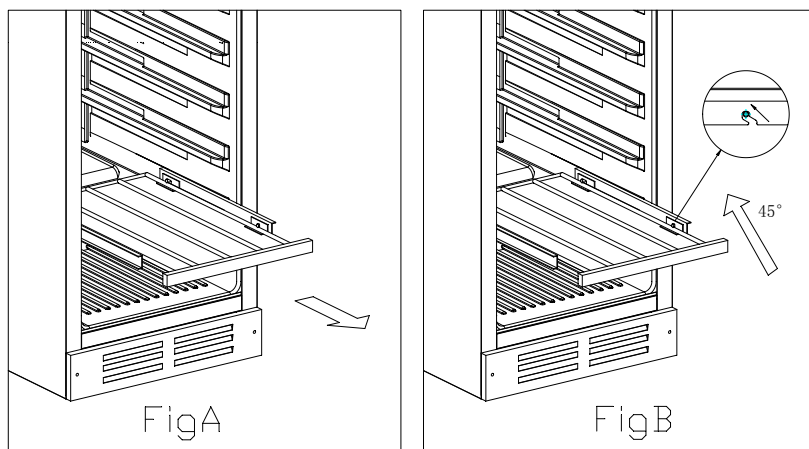
If inner temperature is higher than 23°C, The “HI” is shown in display panel, and the buzzer alarm after one hour continuously. It inform that the inner temperature is too high, please check the reason.

If inner temperature is lower than 0°C, The “LO” is shown in display panel, and the buzzer alarm and the malfunction indicator light light at the same time.

## NOTE

If the unit is unplugged, power lost, or turned off, you must wait 3 to 5 minutes before restart the unit. If you need attempt to restart before this time delay, the Wine cooler will not start. If first time use or longer absence of using, the temperature will difference between setting and LED display temperature. After running a period, the temperature will be reverting back.

## Shelves



- **To Remove Shelves:**

1. Fully extend the shelf you wish to remove (Fig. A)
2. Lift the front of the shelf up 45° (Fig. B)

## NOTE

Do not cover racks with aluminum foil or any other material that will prevent adequate air circulation within the cabinet.

# Care and Maintenance

---

## Cleaning

---

### **CLEAN YOUR WINE COOLER**

- Turn off the power, unplug the appliance, and remove all items including shelves and rack.
- Wash the inside surfaces with a warm water and mild solution.
- Wash the shelves with a mild detergent solution.
- Wring excess water out of the sponge or cloth when cleaning area of the controls, or any electrical parts.
- Wash the outside cabinet with warm water and mild liquid detergent. Rinse well and wipe dry with a clean soft cloth.

### **POWER FAILURE**

- Most power failures are corrected within a few hours and should not affect the temperature of your appliance if you minimize the number of times the door is opened. If the power is going to be off for a long period of time, you need to take the proper steps to protect your contents.

### **VACATION TIME**

- Short vacations: Leave the Wine cooler operating during vacations of less than three weeks.
- If the appliance will not be used for several months, remove all items and turn off the appliance. Clean and dry the interior thoroughly. To prevent odor and mold growth, leave the door open slightly: blocking it open if necessary.

### **MOVE YOUR WINE COOLER**

- Remove all items.
- Take out the loose items inside the wine cooler (such as shelf), or fix the loose items with the foam.
- Turn the adjustable leg up to the base to avoid damage.
- Tape the door shut.
- Be sure the appliance stays secure in the upright position during transportation. Also protect outside of appliance with a blanket or similar items.

### **ENERGY SAVING TIPS**

- The Wine cooler should be located in the coolest area of the room, away from producing appliances, and out of the direct sunlight.

ALL THE APPLIANCES ARE DESIGNED WITH LED LIGHTS, IF LED LIGHT DAMAGE, PLEASE CONTACT WITH AFTER-SALE SERVICE TO REPLACE IT.

# Troubleshooting

Before calling for service, review the checkpoints below. Any service calls regarding normal situations (No Defect Cases) will be charged to users.

## General

### Temperature

Symptom	Possible causes	Solution
Wine cellar does not operate. Wine cellar temperature is warm.	<ul style="list-style-type: none"><li>Power cord is not plugged in properly.</li></ul>	<ul style="list-style-type: none"><li>Properly plug in the power cord.</li></ul>
	<ul style="list-style-type: none"><li>The appliance is turned off</li></ul>	<ul style="list-style-type: none"><li>Turn on the appliance.</li></ul>
	<ul style="list-style-type: none"><li>The circuit breaker tripped or a blown fuse.</li></ul>	<ul style="list-style-type: none"><li>Check the circuit breaker.</li></ul>
	<ul style="list-style-type: none"><li>The wine cellar is overloaded. Wine is blocking the wine cellar vents.</li></ul>	<ul style="list-style-type: none"><li>Do not overload the wine cellar. Do not allow wine to block ventilation.</li></ul>
Wine cellar is over-cooling.	<ul style="list-style-type: none"><li>Temperature control is not set correctly.</li></ul>	<ul style="list-style-type: none"><li>Set the temperature higher.</li></ul>

### Odors

Symptom	Possible causes	Solution
Wine cellar has odors.	<ul style="list-style-type: none"><li>It might be the smell from the wine rack.</li></ul>	<ul style="list-style-type: none"><li>Clean the wine cellar and open the door for a while.</li></ul>

### Condensation

Symptom	Possible causes	Solution
Condensation forms on the interior walls.	<ul style="list-style-type: none"><li>If door is left open, moisture enters the wine cellar.</li></ul>	<ul style="list-style-type: none"><li>Remove the moisture and do not open the door for a long time.</li></ul>

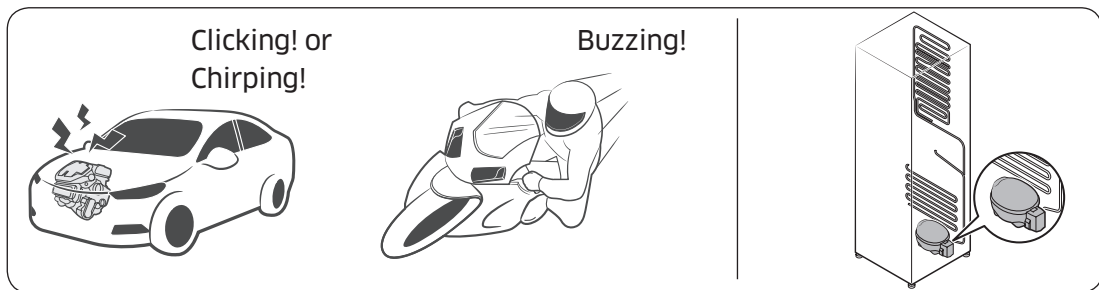
# Troubleshooting

## Abnormal Sounds

Before calling for service, review the checkpoints below. Any service calls related to normal sounds will be charged to the user.

### These sounds are normal.

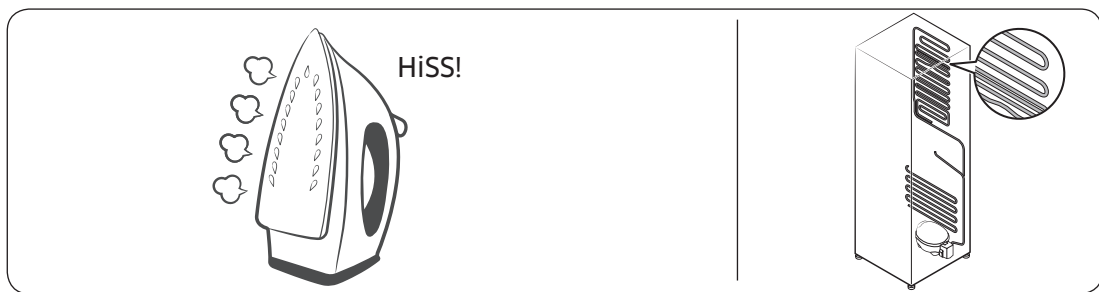
- When starting or ending an operation, the wine cellar may make sounds similar to a car engine starting. As the operation stabilizes, the sounds will decrease.



- While the fan is operating, these sounds may occur. When the wine cellar reaches the set temperature, no fan sound should occur.



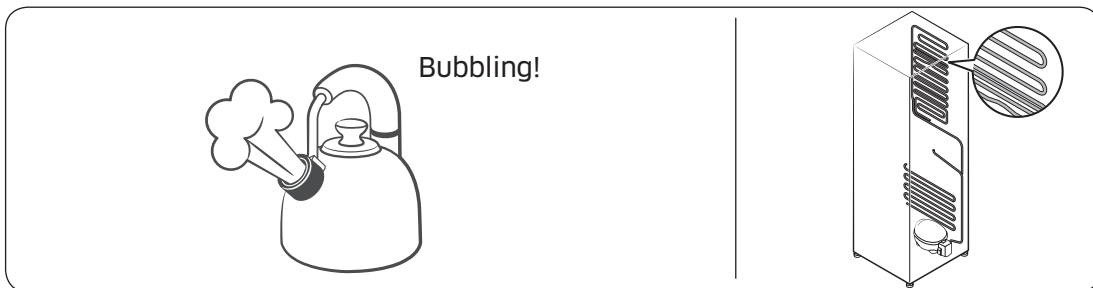
- During a defrost cycle, water may drip on the defrost heater, causing sizzling sounds.



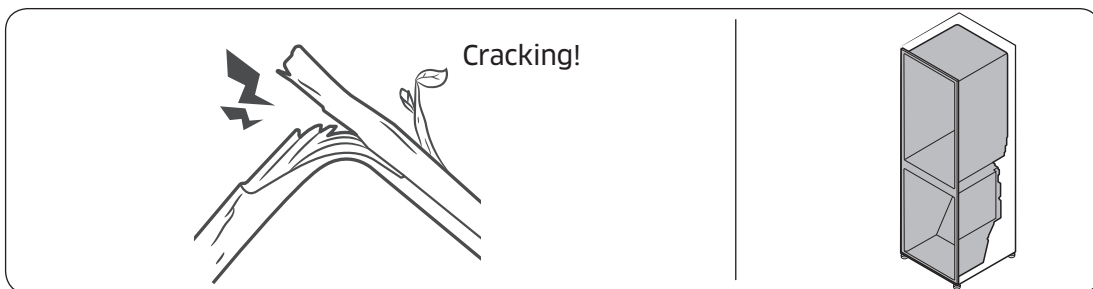


# Troubleshooting

- As the wine cellar cools refrigerant gas moves through sealed pipes, causing bubbling sounds.



- As the wine cellar temperature increases or decreases, plastic parts contract and expand, creating knocking noises. These noises occur during the defrosting cycle or when electronic parts are working.



- Due to pressure equalizing when opening and closing the wine cellar door, whooshing sounds may occur.

# LIMITED WARRANTY (U.S.A.)

---

## SAMSUNG REFRIGERATOR

---

### LIMITED WARRANTY TO ORIGINAL CONSUMER PURCHASER WITH PROOF OF PURCHASE

This SAMSUNG brand product, as supplied and distributed by Samsung Electronics America, Inc. (SAMSUNG) and delivered new, in the original carton to the original consumer purchaser, is warranted by SAMSUNG against manufacturing defects in materials or workmanship for the limited warranty period of:

**One (1) year parts and labor**

**Five (5) years parts and labor on Sealed Refrigeration System Only (Compressor, Evaporator, Condenser, Drier, and Connecting Tubing)**

**Ten (10) years part and Five (5) years labor on Digital Inverter Compressor Only**

This limited warranty is valid only on products purchased and used in the United States that have been installed, operated, and maintained according to the instructions attached to or furnished with the product.

To receive warranty service, the purchaser must contact SAMSUNG at the address or phone number provided below for problem determination and service procedures.

Warranty service can only be performed by a SAMSUNG authorized service center.

The original dated bill of sale must be presented upon request as proof of purchase to SAMSUNG or SAMSUNG's authorized service center to receive warranty service.

SAMSUNG will provide in-home service within the contiguous United States during the warranty period at no charge, subject to availability of SAMSUNG authorized servicers within the customer's geographic area.

If in-home service is not available, SAMSUNG may elect, at its option, to provide transportation of the product to and from an authorized service center.

If the product is located in an area where service by a SAMSUNG authorized servicer is not available, you may be responsible for a trip charge or required to bring the product to a SAMSUNG authorized service center for service.

To receive in-home service, product must be unobstructed and accessible to the service agent.

During the applicable warranty period, a product will be repaired, replaced, or the purchase price refunded, at the sole option of SAMSUNG.

SAMSUNG may use new or reconditioned parts in repairing a product, or replace the product with a new or reconditioned product.

Replacement parts and products are warranted for the remaining portion of the original product's warranty or ninety (90) days, whichever is longer.

All replaced parts and products are the property of SAMSUNG and you must return them to SAMSUNG.

# LIMITED WARRANTY (U.S.A.)

---

This limited warranty covers manufacturing defects in materials or workmanship encountered in normal household, noncommercial use of this product and shall not cover the following: damage that occurs in shipment, delivery, installation, and uses for which this product was not intended; damage caused by unauthorized modification or alteration of the product; product where the original factory serial numbers have been removed, defaced, changed in any way, or cannot be readily determined; cosmetic damage including scratches, dents, chips, and other damage to the product's finishes; damage caused by abuse, misuse, pest infestations, accident, fire, floods, or other acts of nature or God; damage caused by use of equipment, utilities, services, parts, supplies, accessories, applications, installations, repairs, external wiring or connectors not supplied or authorized by SAMSUNG; damage caused by incorrect electrical line current, voltage, fluctuations and surges; damage caused by failure to operate and maintain the product according to instructions; in-home instruction on how to use your product; and service to correct installation not in accordance with electrical or plumbing codes or correction of household electrical or plumbing (i.e., house wiring, fuses, or water inlet hoses). The cost of repair or replacement under these excluded circumstances shall be the customer's responsibility.

Visits by an authorized servicer to explain product functions, maintenance or installation are not covered by this limited warranty. Please contact SAMSUNG at the number below for assistance with any of these issues.

## EXCLUSION OF IMPLIED WARRANTIES

IMPLIED WARRANTIES, INCLUDING THE IMPLIED WARRANTIES OF MERCHANTABILITY OR FITNESS FOR A PARTICULAR PURPOSE, ARE LIMITED TO ONE YEAR OR THE SHORTEST PERIOD ALLOWED BY LAW.

Some states do not allow limitations on how long an implied warranty lasts, so the above limitations or exclusions may not apply to you.

This warranty gives you specific rights, and you may also have other rights, which vary from state to state.

# LIMITED WARRANTY (U.S.A.)

---

## LIMITATION OF REMEDIES

YOUR SOLE AND EXCLUSIVE REMEDY IS PRODUCT REPAIR, PRODUCT REPLACEMENT, OR REFUND OF THE PURCHASE PRICE AT SAMSUNG'S OPTION, AS PROVIDED IN THIS LIMITED WARRANTY. SAMSUNG SHALL NOT BE LIABLE FOR SPECIAL, INCIDENTAL OR CONSEQUENTIAL DAMAGES, INCLUDING BUT NOT LIMITED TO TIME AWAY FROM WORK, HOTELS AND/OR RESTAURANT MEALS, REMODELING EXPENSES, LOSS OF REVENUE OR PROFITS, FAILURE TO REALIZE SAVINGS OR OTHER BENEFITS REGARDLESS OF THE LEGAL THEORY ON WHICH THE CLAIM IS BASED, AND EVEN IF SAMSUNG HAS BEEN ADVISED OF THE POSSIBILITY OF SUCH DAMAGES. Some states do not allow exclusion or limitation of incidental or consequential damages, so the above limitations or exclusions may not apply to you. This warranty gives you specific rights, and you may also have other rights, which vary from state to state.

SAMSUNG does not warrant uninterrupted or error-free operation of the product. No warranty or guarantee given by any other person, firm, or corporation with respect to this product shall be binding on SAMSUNG.

To obtain warranty service, please contact SAMSUNG at:

Samsung Electronics America, Inc. 85 Challenger Road  
Ridgefield Park, NJ 07660  
1-800-SAMSUNG (726-7864)  
1-844-SAM-PAYS (726-7297)  
[www.samsung.com/us/support](http://www.samsung.com/us/support)

# Memo

---

# SAMSUNG

## Contact SAMSUNG WORLD WIDE

If you have any questions or comments relating to Samsung products, please contact the SAMSUNG Customer Care Center.

Country	Contact Center	Web Site
U.S.A	1-800-SAMSUNG (726-7864) 1-844-SAM-PAYS (726-7297)	<a href="http://www.samsung.com/us/support">www.samsung.com/us/support</a>







# Enfriador de vino

---

## Manual del usuario

RW51TS338SR/AA

**SAMSUNG**

# Contenido

---

<b>Información sobre seguridad</b>	<b>3</b>
Qué debe saber sobre las instrucciones de seguridad	3
Símbolos y advertencias de seguridad importantes:	4
Advertencia sobre la State of California Proposition 65 (solo EE.UU.)	4
Precauciones importantes de seguridad	4
Señales de advertencia importantes para el transporte y el emplazamiento	5
Advertencias muy importantes para la instalación	6
Precauciones para la instalación	8
Advertencias muy importantes para el uso	9
Precauciones de uso	12
Precauciones para la limpieza	13
Advertencias muy importantes para la eliminación de residuos	14
Uso previsto	14
<b>Instalación</b>	<b>15</b>
cava de un vistazo	15
Funciones	16
Seleccione un lugar	17
<b>Operaciones</b>	<b>21</b>
Panel de control	21
Ajuste de los controles de temperatura	22
Instrucciones sobre las funciones	22
<b>Cuidado y mantenimiento</b>	<b>24</b>
Limpieza	24
<b>Solución de problemas</b>	<b>25</b>
General	25
Sonidos anormales	26
<b>GARANTÍA LIMITADA (EE.UU.)</b>	<b>28</b>
REFRIGERADOR SAMSUNG	28



# Información sobre seguridad

---

Antes de utilizar su nuevo refrigerador Samsung, lea detenidamente este manual a fin de aprender a usar las funciones que ofrece de manera segura y eficiente.

## Qué debe saber sobre las instrucciones de seguridad

---

- Este electrodoméstico no debe ser utilizado por personas (incluidos niños) con capacidades mentales, sensoriales o físicas reducidas, o por personas que carezcan de experiencia y de conocimientos, a menos que se encuentren bajo supervisión o hayan recibido las instrucciones de uso por parte de un responsable de su seguridad. Se deberá vigilar a los niños para asegurarse de que no jueguen con el electrodoméstico.
- Debido a que las siguientes instrucciones corresponden a diversos modelos, es posible que las características de su refrigerador difieran ligeramente de las que se describen en este manual.
- Si tiene alguna duda, comuníquese al 1-800-SAMSUNG o encuentre ayuda e información en línea en [www.samsung.com](http://www.samsung.com).
- Si el refrigerante sale por los tubos, este podría incendiarse o dañar los ojos. Si hay pérdida de refrigerante del tubo, manténgalo alejado de las llamas, aparte cualquier material inflamable del producto y ventile la habitación inmediatamente.
  - Failing to do so may result in fire or explosion.
- El uso inapropiado de la conexión a tierra puede traer como consecuencia un riesgo de descarga eléctrica. Si necesita usar un cable de extensión, use solo uno de tres hilos con un enchufe que tenga una tercera punta para el polo a tierra; la toma de corriente deberá tener 3 ranuras para adaptarse al enchufe del electrodoméstico. La potencia indicada en el cable de extensión debe ser CA 115-120 V, 10 A o superior. Si se utiliza un adaptador de tierra, asegúrese de que el receptáculo esté conectado correctamente a tierra.

# Información sobre seguridad

---

## Símbolos y advertencias de seguridad importantes:

---

Sírvase seguir todas las instrucciones de seguridad del presente manual. En el presente manual se utilizan los siguientes símbolos de seguridad.

### **ADVERTENCIA**

Riesgos o prácticas inseguras que pueden causar graves lesiones personales, daños a la propiedad y/o incluso la muerte.

### **PRECAUCIÓN**

Riesgos o prácticas inseguras que pueden causar lesiones personales leves y/o daños materiales

### **NOTA**

Información útil que ayuda a los usuarios a comprender u obtener beneficios de la cava. Estas señales de advertencia se incluyen aquí para evitar que usted o terceros sufran lesiones. Sígalas atentamente. Después de leer esta sección, consérvela en un lugar seguro para referencia futura.

## Advertencia sobre la State of California Proposition 65 (solo EE.UU.)

---

### **ADVERTENCIA**

Cáncer y Daño Reproductivo - [www.P65Warnings.ca.gov](http://www.P65Warnings.ca.gov).

## Precauciones importantes de seguridad

---



Advertencia: riesgo de incendio/materiales inflamables

### **ADVERTENCIA**

- Se utiliza R-600a como refrigerante. Este producto contiene gas inflamable (Refrigerante R-600a), comuníquese con las autoridades locales para desechar este producto en forma segura.
- Para evitar la creación de una mezcla de gas-aire inflamable en caso de una pérdida en el circuito del refrigerante, el tamaño del lugar en el que se coloca el refrigerador depende de la cantidad de refrigerante utilizado. El lugar debe tener 35.3 ft<sup>3</sup> por cada 8 g de refrigerante R-600a en el electrodoméstico.
- The installation location should not be exposed to direct sunlight and not placed near any electric appliance or heat source, e.g. stove, oven, radiator, etc.

# Información sobre seguridad

---

- Si coloca dos productos uno junto al otro, por razones de seguridad, asegúrese de utilizar productos certificados en atmósferas de gas explosivas.
- Nunca debe poner en marcha un electrodoméstico que presente signos de haber sido dañado. Si tiene alguna inquietud, consulte a su distribuidor
- Si el cable de alimentación está dañado, debe ser reemplazado por el fabricante, su agente de servicios o personas igualmente calificadas para evitar riesgos.
- Debe poder accederse al tomacorriente con facilidad para que el electrodoméstico pueda desenchufarse de la alimentación en caso de emergencia. Debe encontrarse fuera de la zona trasera del electrodoméstico.
- No almacene sustancias explosivas como latas de aerosoles con gases propelentes inflamables en este electrodoméstico.
- Para evitar riesgos por inestabilidad del electrodoméstico, debe instalarse de acuerdo con las instrucciones.

## Señales de advertencia importantes para el transporte y el emplazamiento

### **ADVERTENCIA**

- Al transportar e instalar el electrodoméstico deberá tener cuidado de no dañar ninguna de las piezas del circuito del refrigerante.
  - La pérdida de refrigerante del tubo podría incendiarse o dañar los ojos. Si se detecta una fuga, manténgalo alejado de las llamas o de posibles fuentes de inflamación y ventile durante varios minutos el ambiente en el que se encuentra la unidad.
  - El electrodoméstico contiene una pequeña cantidad de refrigerante de isobutano (R-600a), un gas natural con alta compatibilidad ambiental, no obstante también inflamable.



# Información sobre seguridad

---

## Advertencias muy importantes para la instalación

---

### **ADVERTENCIA**

- No instale la cava en un lugar húmedo o donde pueda entrar en contacto con agua.
  - El aislamiento deficiente de las piezas eléctricas puede provocar una descarga eléctrica o un incendio.
- No exponga esta cava a la luz solar directa ni al calor de estufas, calefactores u otros electrodomésticos.
- No enchufe varios electrodomésticos en la misma toma. La cava debe conectarse siempre a un tomacorriente individual cuyo voltaje nominal coincida con el que se especifica en la placa de voltaje de la cava.
  - De esta manera se obtiene el mejor desempeño y también se evita que se sobrecarguen los circuitos del cableado de la casa, lo que podría sobrecalentar los cables y provocar un riesgo de incendio.
- Si el tomacorriente está flojo, no conecte el enchufe.
  - Existe el riesgo de que se produzca una descarga eléctrica o un incendio.
- No utilice un cable de alimentación que esté dañado o gastado en su extensión o en cualquiera de los extremos.
- No doble excesivamente el cable de alimentación ni coloque objetos pesados sobre él.
- No tire del cable de alimentación ni lo doble excesivamente.
- No retuerza ni amarre el cable de alimentación.
- No coloque el cable de alimentación sobre un objeto metálico, no lo coloque entre objetos ni lo empuje hacia el espacio que hay detrás del electrodoméstico.
- Nunca desenchufe la cava jalando el cable de alimentación. Siempre sostenga el enchufe con firmeza y jale para extraerlo del tomacorriente.
  - Los daños al cable pueden provocar un cortocircuito, un incendio o una descarga eléctrica.
- No almacene sustancias explosivas como latas de aerosoles con gases propelentes inflamables en este electrodoméstico.
- No instale este electrodoméstico cerca de materiales inflamables.
- No instale este electrodoméstico en un lugar donde pueda haber fugas de gas.
  - Esto podría causar una descarga eléctrica o un incendio.
- Antes de usarse, la cava debe ubicarse e instalarse de manera apropiada de acuerdo con las instrucciones de este manual.
- Conecte el enchufe en la posición correcta con el cable colgando hacia abajo.
  - Si conecta el enchufe al revés, el cable puede cortarse y provocar un incendio o una descarga eléctrica.
- Asegúrese de que el enchufe no esté aplastado ni haya sido dañado por la parte posterior de la cava.



# Información sobre seguridad

---

- Mantenga los materiales de empaque fuera del alcance de los niños.
  - Existe el riesgo de muerte por asfixia si un niño se coloca los materiales de empaque en la cabeza.
- El electrodoméstico debe colocarse de manera tal que se pueda acceder al enchufe después de la instalación.
  - No seguir esta recomendación puede causar una descarga eléctrica o un incendio debido a una fuga de electricidad.
- No instale este electrodoméstico en un lugar húmedo, engrasado o sucio, o en un sitio con exposición directa al sol o al agua (lluvia).
  - El aislamiento deficiente de las piezas eléctricas puede provocar una descarga eléctrica o un incendio.
- Si ingresaran grandes cantidades de polvo o agua a la cava, apague el interruptor de encendido y comuníquese con el Centro de Servicio de Dacor.
  - Si no lo hace, existe el riesgo de que se produzca un incendio.
- Es necesario quitar toda la película plástica protectora antes de enchufar el producto por primera vez.
- Se deberá vigilar a los niños para asegurarse de que no jueguen con los anillos elásticos utilizados para el ajuste de la puerta o con las grapas del tubo de agua.
  - Existe riesgo de muerte por asfixia si un niño se traga un anillo elástico o una grapa del tubo de agua. Mantenga los anillos elásticos y las grapas del tubo de agua fuera del alcance de los niños.
- La cava debe estar conectado a tierra de manera segura.
  - Siempre asegúrese de haber conectado la cava a tierra antes de intentar examinar o reparar alguna pieza. Las fugas de energía pueden provocar una descarga eléctrica grave.
- Nunca utilice como conexión a tierra tubos de gas, líneas telefónicas ni otras posibles fuentes de atracción de rayos.
  - La cava debe estar conectado a tierra para evitar cualquier fuga de energía o descarga eléctrica provocada por fugas de corriente de la cava.
  - Esto podría causar descargas eléctricas, incendios, explosiones o problemas con el producto.
  - El uso inapropiado de la conexión a tierra puede traer como consecuencia un riesgo de descarga eléctrica. Si necesita usar un cable de extensión, use solo uno de tres hilos con un enchufe que tenga una tercera punta para el polo a tierra; la toma de corriente deberá tener 3 ranuras para adaptarse al enchufe del electrodoméstico. La potencia indicada en el cable de extensión debe ser CA 115-120 V, 10 A o superior. Si se utiliza un adaptador de tierra, asegúrese de que el receptáculo esté conectado correctamente a tierra.
- Conecte bien el enchufe al tomacorriente. No utilice enchufes o cables de alimentación dañados ni enchufes de pared flojos.
  - Esto podría causar una descarga eléctrica o un incendio.
- Si el cable de alimentación está dañado, solicite su reemplazo de inmediato al fabricante o a uno de los agentes de servicio técnico.

# Información sobre seguridad

---

- Únicamente un técnico calificado o compañía de reparaciones debe estar autorizado para cambiar el fusible de la cava.
  - No seguir esta recomendación, podría causar una descarga eléctrica o lesiones.
- Debe poder accederse a la toma de pared con facilidad para que el electrodoméstico pueda desenchufarse rápidamente en caso de emergencia.
- Debe encontrarse fuera de la zona trasera del electrodoméstico.
- Cuando instale el electrodoméstico, asegúrese de que el cable de alimentación no esté atrapado ni dañado.
- No ubique varias regletas de tomacorrientes o unidades de alimentación en la parte trasera del electrodoméstico.
- Mantenga las aberturas de ventilación del gabinete o estructura incorporada del electrodoméstico libres de obstrucciones.

## Precauciones para la instalación

---

### PRECAUCIÓN

- Deje espacio suficiente alrededor de la cava e instálelo sobre una superficie plana.
  - Mantenga libre de obstáculos el espacio de ventilación en el gabinete o la estructura de montaje del electrodoméstico.
- Una vez que haya instalado la cava y lo haya encendido, permita que funcione durante 2 horas antes de cargarla de vinos.
- Se recomienda que la cava sea instalada por un técnico calificado o una compañía de servicios.
  - No seguir esta recomendación puede causar descargas eléctricas, incendios, explosiones, problemas con el producto o lesiones.

# Información sobre seguridad

## Advertencias muy importantes para el uso

### ADVERTENCIA

- No conecte el enchufe en un tomacorriente con las manos mojadas.
  - Esto podría causar una descarga eléctrica.
- No coloque objetos en la parte superior de la unidad.
  - Cada vez que abra o cierre la puerta, estos podrían caerse y provocar lesiones personales o daños materiales.
- No coloque las manos, los pies ni objetos metálicos (como utensillos, etc.) en la parte inferior o posterior de la cava.
  - Esto podría causar una descarga eléctrica o lesiones personales.
  - Algunos bordes filosos podrían provocar lesiones personales.
- No coloque un recipiente con agua sobre la cava.
  - Si se derrama, existe el riesgo de que se produzca un incendio o una descarga eléctrica.
- No almacene sustancias u objetos volátiles o inflamables (benceno, solvente, gas propano, alcohol, éter, gas LP ni cualquier otro producto de este tipo) en la cava.
  - Esta cava se debe utilizar solo para almacenar vinos.
  - Esto podría causar un incendio o una explosión.
- Se deberá vigilar a los niños para asegurarse de que no jueguen con el electrodoméstico.
  - Aleje los dedos de los puntos de agarre. Los espacios entre las puertas y el gabinete son inevitablemente pequeños. Abra las puertas con cuidado si hay niños cerca.
- No permita que los niños se cuelguen de la puerta. Pueden producirse lesiones graves.
- No permita que los niños ingresen a la cava. Podrían quedar atrapados.
- No coloque las manos debajo del electrodoméstico.
  - Es posible que algunas puntas filosas le provoquen lesiones.
- No almacene en la cava productos farmacéuticos, materiales científicos ni productos sensibles a la temperatura.
  - No se deben almacenar en la cava productos que requieran controles estrictos de temperatura.
- No coloque ni utilice aparatos eléctricos dentro de la cava, a menos que sean del tipo recomendado por el fabricante.
- En caso de sentir olor a humo, apague el interruptor de encendido de inmediato y comuníquese con el Centro de Servicio de Dacor.
- Si ingresaran grandes cantidades de polvo o agua a la cava, apague el interruptor de encendido y comuníquese con el Centro de Servicio de Dacor.
  - Si no lo hace, existe el riesgo de que se produzca un incendio.
- No deje abierta la puerta de la cava si no está siendo vigilada y no permita que los niños ingresen en la cava.
  - Esto puede provocar muerte por asfixia debido al encierro o lesiones personales.



# Información sobre seguridad

---

- No sobrecargue la cava con vinos.
  - Cuando abra la puerta, algún elemento podría caerse y provocar lesiones personales o daños materiales.
- No pulverice material volátil, tal como un insecticida, sobre la superficie del electrodoméstico.
  - Además de ser perjudicial para los seres humanos, puede causar una descarga eléctrica, un incendio o problemas con el producto.
- No utilice ni coloque ninguna sustancia sensible a la temperatura, tales como pulverizadores inflamables, objetos inflamables, hielo seco, medicamentos o productos químicos, cerca o dentro de la cava.
- No utilice un secador de cabello para secar el interior de la cava. No coloque velas encendidas en la cava para eliminar los malos olores.
  - Esto podría causar una descarga eléctrica o un incendio.
- No utilice dispositivos mecánicos ni cualquier otro medio para acelerar el proceso de descongelamiento que no sean aquellos recomendados por el fabricante.
- No dañe el circuito del refrigerante.
- Si se detecta una fuga de gas, evite las llamas o posibles fuentes de ignición y ventile durante varios minutos la habitación en la que se encuentra el electrodoméstico.
  - No toque el electrodoméstico ni el cable de alimentación.
  - No utilice un ventilador.
  - Una chispa puede provocar una explosión o un incendio.
- Utilice solamente lámparas LED proporcionadas por el fabricante o sus agentes de servicio técnico.
- No intente reparar, desensamblar ni modificar la cava por su cuenta.
  - Las modificaciones que no han sido autorizadas pueden provocar problemas de seguridad. Para revertir una modificación no autorizada, cobraremos el costo completo de las piezas y mano de obra.
- No utilice ningún fusible (tales como los de alambres de acero, de cobre, etc.) que no sea un fusible estándar.
- Si es necesario reparar o volver a instalar la cava, comuníquese con su Centro de Servicio más cercano.
  - No seguir esta recomendación puede causar una descarga eléctrica, un incendio, problemas con el producto o lesiones.
- Si la lámpara LED interior o exterior se ha apagado, comuníquese con su Centro de Servicio Dacor más cercano.
- En caso de sentir olor a quemado o a humo en la cava, desenchúfela de inmediato y comuníquese con un Centro de Servicio Dacor.
  - No seguir esta recomendación podría causar una descarga eléctrica o un incendio.
- Desenchufe la cava antes de cambiar las lámparas internas.
  - Si no lo hace, existe el riesgo de que se produzca una descarga eléctrica.





# Información sobre seguridad

---

- Si le resulta difícil cambiar una luz que no sea de LED, comuníquese con un Centro de Servicio de Dacor.
- Si el producto cuenta con lámparas LED, no desensamble las cubiertas de la lámpara y las lámparas LED usted mismo.
  - Comuníquese con un Centro de Servicio Dacor.
- Conecte bien el enchufe al tomacorriente.
- No utilice enchufes o cables de alimentación dañados ni enchufes de pared flojos.
  - Esto podría causar una descarga eléctrica o un incendio.
- No exponga los accesorios internos, como los estantes para botellas, presentadores de botellas y estantes a la luz solar directa por periodos prolongados.



# Información sobre seguridad

---

## Precauciones de uso

---

### PRECAUCIÓN

- Para obtener el mejor desempeño del producto:
  - No coloque vinos muy cerca de las rejillas de ventilación en la parte posterior de la cava, ya que pueden obstruir la libre circulación del aire en el compartimiento de la cava.
- Garantía de servicio y modificación.
  - El servicio de garantía de Dacor no cubre los cambios o las modificaciones realizadas por un tercero a este electrodoméstico; Dacor tampoco es responsable de los problemas relacionados con la seguridad que puedan surgir a causa de modificaciones hechas por terceros.
- No obstruya las rejillas de ventilación dentro de la cava.
  - Si las rejillas de ventilación están tapadas, en particular con una bolsa de plástico, la cava se puede sobrecongelar.
- Si se desenchufa la cava, espere al menos cinco minutos antes de volver a enchufarlo.
- Si ingresaran grandes cantidades de agua a la cava, apague el interruptor de encendido y comuníquese con un Centro de Servicio de Dacor.
- No golpee ni aplique una fuerza excesiva sobre ninguna superficie de vidrio.
  - Un vidrio roto puede causar lesiones personales o daños materiales.
- Si la cava se inunda, desconecte la alimentación de la cava y comuníquese con el centro de servicios Dacor más cercano.
  - Existe el riesgo de que se produzca una descarga eléctrica o un incendio.



# Información sobre seguridad

---

## Precauciones para la limpieza

---

### PRECAUCIÓN

- No pulverice con agua directamente dentro o fuera de la cava.
  - Existe el riesgo de que se produzca un incendio o una descarga eléctrica.
- No utilice un secador de cabello para secar el interior de la cava.
- No coloque velas encendidas en la cava para eliminar los malos olores.
  - Esto podría causar una descarga eléctrica o un incendio.
- No rocíe productos de limpieza directamente sobre el visor.
  - Las letras impresas en el visor pueden borrarse.
- Si cualquier sustancia extraña, tal como agua, ingresa en el refrigerador, desenchúfelo y comuníquese con su Centro de Servicio más cercano.
  - No seguir esta recomendación podría causar una descarga eléctrica o un incendio.
- Use un paño seco y limpio para retirar cualquier sustancia extraña o polvo de las clavijas del enchufe. No utilice un paño mojado ni húmedo para limpiar el enchufe.
  - De lo contrario, existe el riesgo de que se produzca un incendio o una descarga eléctrica.
- No limpie el refrigerador rociando agua directamente sobre él.
- No limpie la cava con benceno, disolvente o Clorox (blanqueador).
  - Pueden dañar la superficie del electrodoméstico y provocar un incendio.
- Antes de limpiar o realizar el mantenimiento, desenchufe el refrigerador del enchufe de pared.
  - No seguir esta recomendación podría causar una descarga eléctrica o un incendio.



# Información sobre seguridad

---

## Advertencias muy importantes para la eliminación de residuos

---

### **ADVERTENCIA**

- **PELIGRO** : Existe el riesgo de que los niños queden encerrados. Antes de desechar su antigua cava.
  - Retire las puertas y los pestillos.
  - Deje los estantes en su lugar de manera tal que los niños no puedan trepar fácilmente.
  - Si algún niño queda atrapado dentro de la cava, puede lastimarse o asfixiarse hasta morir.
- Deseche el material de empaque de este producto de forma tal que no resulte nocivo para el medio ambiente.
- Asegúrese de que ninguno de los tubos que se encuentran detrás de la cava estén dañados antes de desecharla.
- Se utiliza R-600a como refrigerante. Este producto contiene gas inflamable (Refrigerante R-600a), comuníquese con las autoridades locales para desechar este producto en forma segura.
- Se utiliza ciclopentano como aislante. Los gases del material de aislamiento requieren un procedimiento especial para desecharlos. Comuníquese con las autoridades locales para desechar este producto de manera que no resulte nocivo para el medio ambiente.
- Mantenga los materiales de empaque fuera del alcance de los niños, ya que pueden ser peligrosos para ellos.
  - Si un niño se coloca una bolsa en la cabeza, puede asfixiarse.

### **Uso previsto**

---

- zonas de cocina de tiendas, oficinas y otros entornos de trabajo;
- granjas y zonas de uso de los clientes en hoteles, moteles u otros entornos de tipo residencial;
- hospederías;
- banqueterías y eventos en instalaciones no minorista similares.
- Este electrodoméstico fue diseñado para ser usado a una altitud que no supere los 2000 metros sobre el nivel del mar.



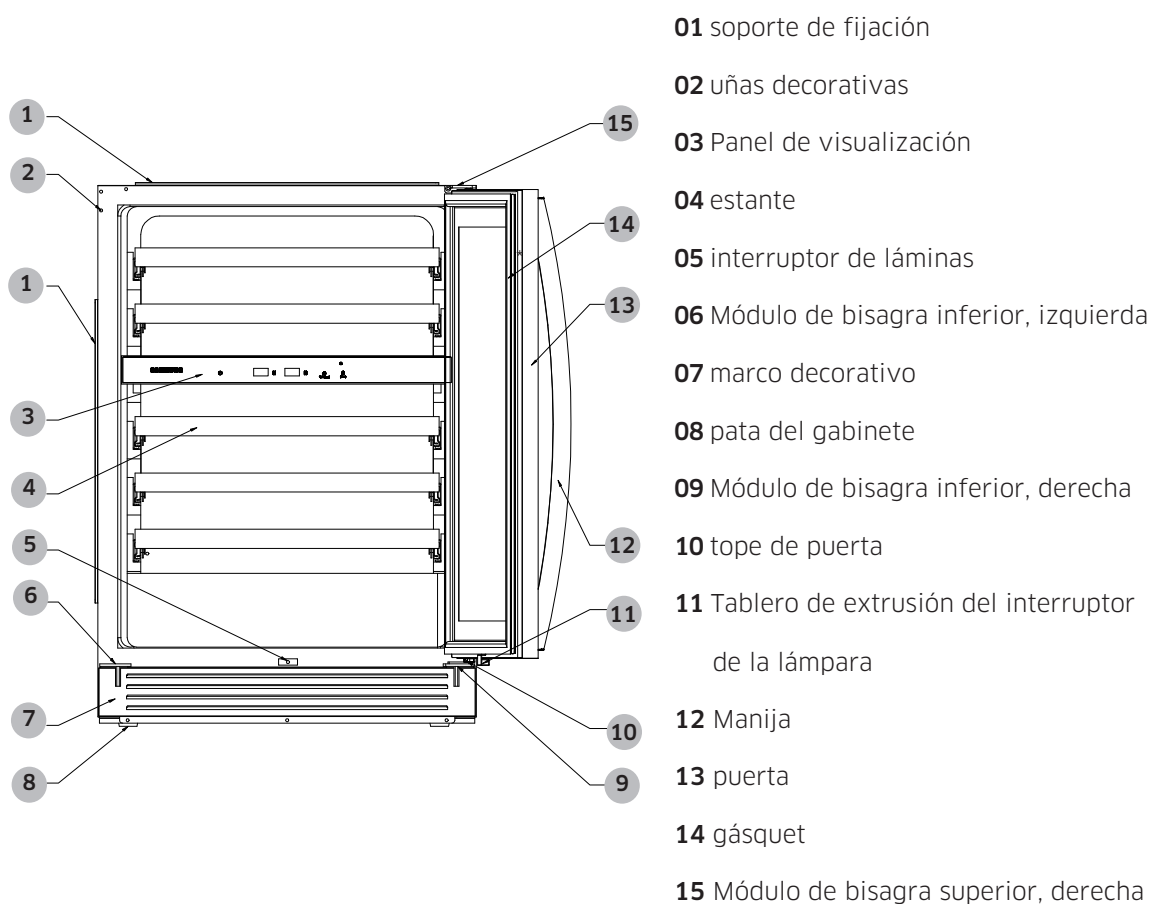
# Instalación

Siga las instrucciones cuidadosamente a fin de garantizar la instalación adecuada del refrigerador y de evitar accidentes antes de utilizarlo.

## ⚠ ADVERTENCIA

- Utilice el refrigerador solamente para su uso previsto como se describe en este manual.
- Todas las reparaciones deben estar a cargo de un técnico calificado.
- Descarte el material de empaque del producto de acuerdo con la normativa local.
- A fin de evitar descargas eléctricas, desenchufe el cable de alimentación antes de realizar trabajos de mantenimiento o reemplazo de piezas.

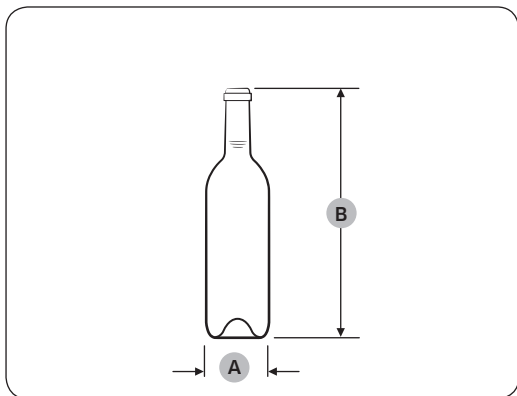
## cava de un vistazo



# Instalación

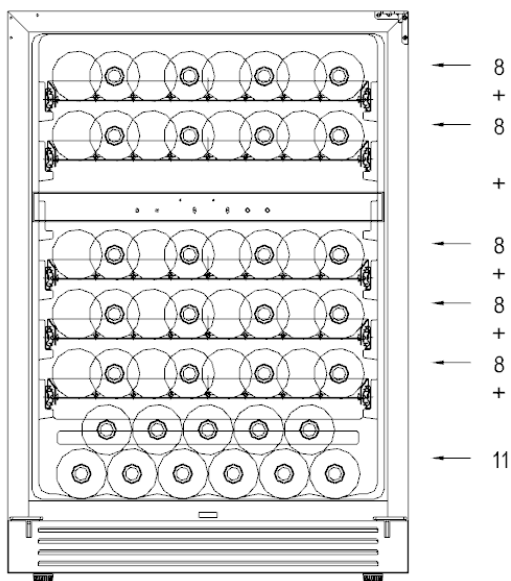
## Funciones

### Tamaño de la botella estándar



A	$\text{Ø} 3 \frac{1}{32}'' (\text{Ø} 77)$
B	3" (301)

### Capacidad de carga



Load capacity		Bottles
Zona superior	1	8
	2	8
Zona inferior	1	8
	2	8
	3	8
	4	11
Total		51

# Instalación

## Seleccione un lugar

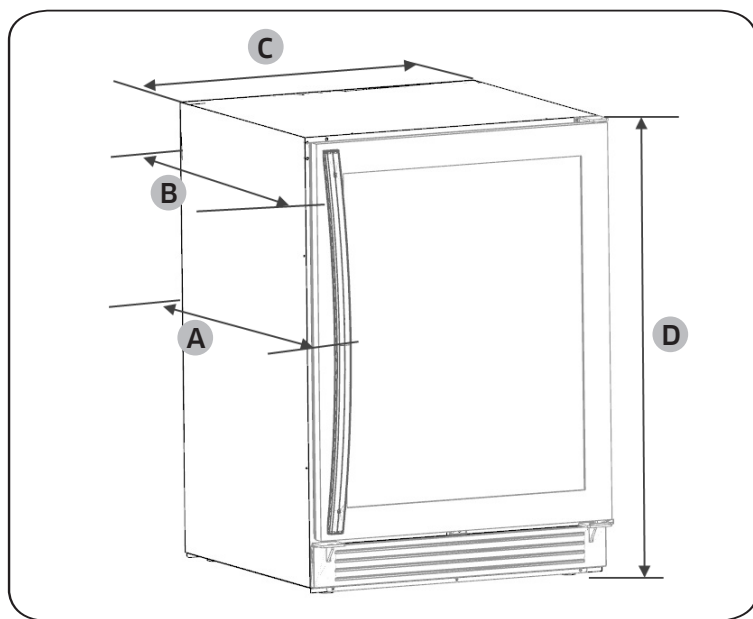
### Requisitos del lugar

- Una superficie sólida, nivelada sin alfombrado ni pisos que puedan obstruir la ventilación
- Alejado de la luz solar directa
- Espacio suficiente para abrir y cerrar la puerta
- Alejado de las fuentes de calor
- Espacio para realizar mantenimiento y reparaciones
- Rango de temperatura: entre 60 °F (16 °C) y 90 °F (32 °C)

### Espacio libre

Consulte las ilustraciones y la tabla que aparece a continuación para conocer los requisitos de espacio para la instalación.

## Dimensiones del producto

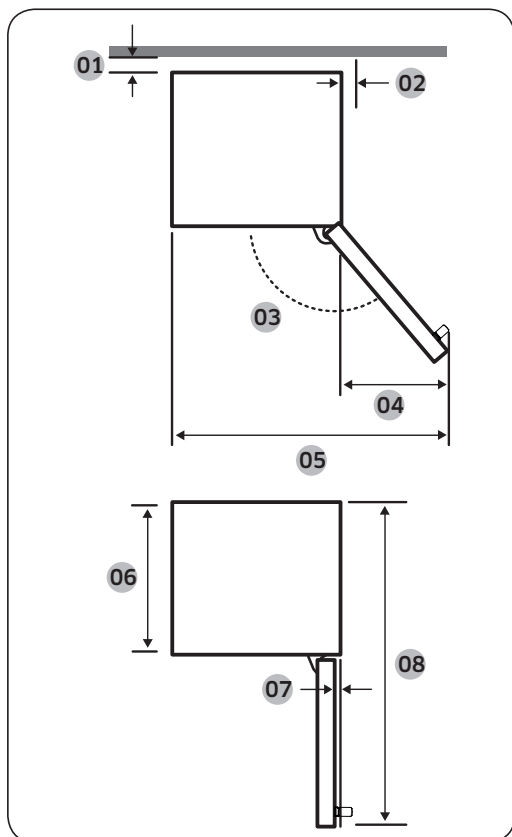


Profundidad (con asa) "A"	26 " (661 mm)
Profundidad (sin asa) "B"	23 <sup>13</sup> / <sub>16</sub> " (605 mm)
Anchura "C"	23 <sup>13</sup> / <sub>16</sub> " (605 mm)
Altura "D"	34 <sup>1</sup> / <sub>16</sub> ~ 34 <sup>1</sup> / <sub>4</sub> " (865~870 mm)

[Unidad: pulgadas (mm)]

# Instalación

## Dimensiones generales del producto



01	Más de 1 1/16" (30 mm) recomendado
02	3/16" (5 mm)
03	115°
04	11 7/16" (290 mm)
05	35 1/4" (895 mm)
06	21 7/8" (555 mm)
07	3/16" (5 mm)
08	46 3/4" (1188 mm)

[Unidad: pulgadas (mm)]

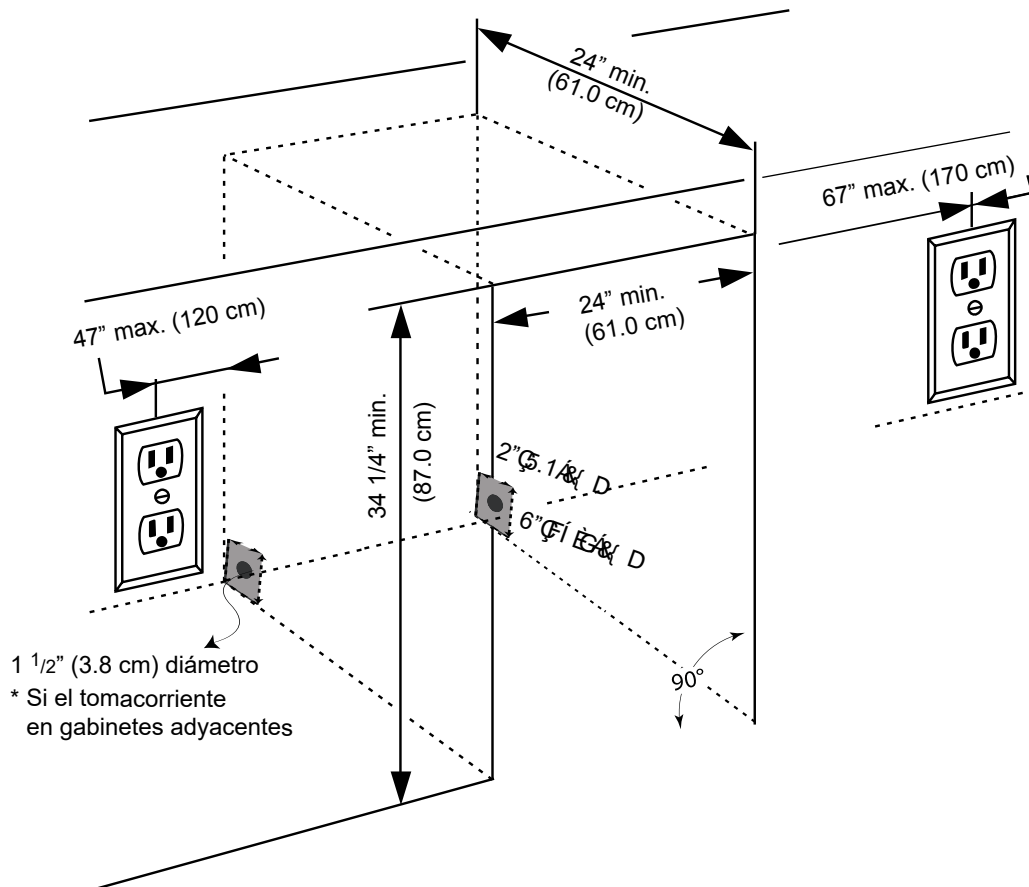
### NOTA

- Las medidas de la tabla anterior pueden variar, dependiendo del método de medición.
- Para una instalación incorporada, consulte el Manual de instalación.



# Instalación

## Especificaciones de instalación para fines integrados



- Utilice guantes y anteojos de seguridad durante la instalación.
- No se recomienda instalar el electrodoméstico en un rincón no directamente junto a una pared. La puerta debe abrirse a más de 90° para permitir la extensión total de los estantes. Si fuera necesario instalar la unidad junto a una pared o en un rincón, deje al menos 2 a 4 pulgadas (5 a 10 cm) de espacio libre entre la pared y el electrodoméstico para permitir la apertura de la puerta.
- La abertura del gabinete debe tener por lo menos 24 pulgadas (61.0 cm) de ancho por 34 1/4 pulgadas (87.0 cm) de altura por 24 pulgadas (61.0 cm) de profundidad.

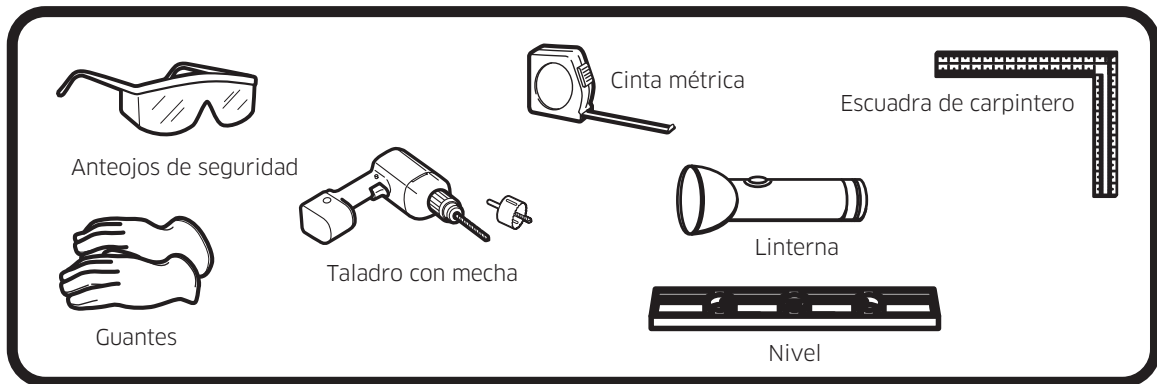
### NOTE

El requisito de profundidad indicado presupone que el tomacorriente está ubicado en los gabinetes cercanos o instalado a nivel en la pared trasera, no instalado en la superficie interior del gabinete

Si el tomacorriente estuviera ubicado dentro de los gabinetes cercanos, corte un orificio de 1 1/2 pulgadas (3.8 cm) de diámetro para pasar el cable de alimentación eléctrica. Si la pared del gabinete fuera metálica, el borde del orificio deberá cubrirse con un cojinete o

# Instalación

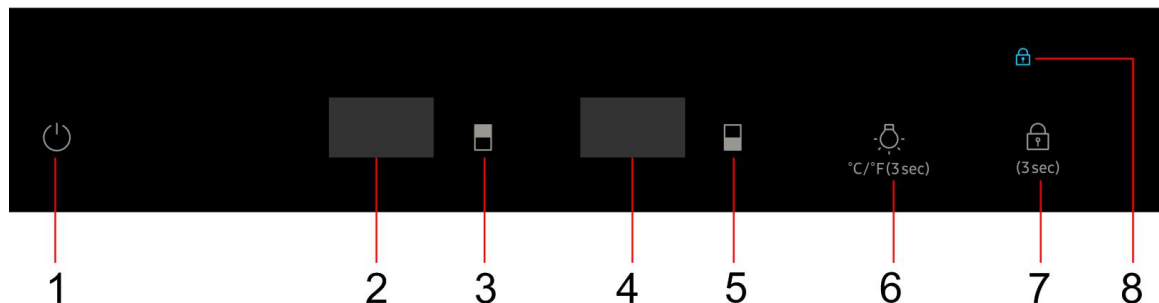
## HERRAMIENTAS NECESARIAS



- Anteojos de seguridad
- Guantes
- Cinta métrica
- Escuadra de carpintero
- Nivel
- Linterna
- Taladro con mecha

# Operaciones

## Panel de control





- 1 Botón “”**  
Para controlar el encendido/apagado del electrodoméstico.
- 2 Compartimiento “ Left” (Izquierdo)**  
Display de temperatura de cámara superior.
- 3 Botón “”**  
Controla la configuración de temperatura del compartimiento superior.
- 4 Compartimiento “ Right” (Derecho)**  
Indicador de temperatura del compartimiento inferior.
- 5 Botón “”**  
Controla la temperatura de ajuste del compartimiento inferior.
- 6 Botón “ °C/°F(3sec)”**  
A. Al tocar este botón emitirá una señal sonora, el compartimiento izquierdo se apagará y el compartimiento derecho mostrará el número correspondiente al nivel de brillo de la luz. Si no desea modificar el nivel de brillo, no toque este control y el indicador pasará a mostrar la temperatura tras 3 segundos. Si desea modificar el nivel de brillo, toque este botón una vez y el número indicador de nivel de luz cambiará una vez (nivel 2 → 3 → 0 → 1 → 2 ...). El indicador volverá a mostrar la temperatura 3 segundos después del ajuste.  
B. Al presionar este botón durante 3 segundos emitirá una señal sonora, la unidad de temperatura pasará de °C y °F.
- 7 Botón “ (3sec)”**  
Al presionar el ícono del candado durante 3 segundos emitirá una señal sonora y aparecerá el ícono del candado “”. El sistema entrará en modo Lock (Bloqueo) para bloquear el panel de control. El sistema no responderá cuando se presionen los botones en el modo bloqueo.  
Al presionar el ícono del candado durante 3 segundos en modo bloqueo emitirá una señal sonora y el ícono titilará 3 veces y se apagará para desbloquear el panel de control.  
Cuando la cava de vinos está bloqueada, no podrá utilizar el ícono “” para apagar el electrodoméstico.

# Operaciones

---

## Ajuste de los controles de temperatura

---

- Al presionar los botones “” o “”, el sistema entrará automáticamente al modo de configuración del compartimiento superior o inferior. El indicador LED titilará y podrá configurar la temperatura en la pantalla.  
Presione el botón una vez y la temperatura aumentará 1°F (°C) . Al superar el valor máximo que puede establecerse, pasará al valor mínimo ajustable automáticamente. Después de dejar de presionar el botón durante 3 segundos, la figura LED dejará de titilar y luego pasará a mostrar la temperatura real de los compartimientos superior e inferior.  
Una vez desenchufada la unidad, el sistema volverá a la temperatura configurada de fábrica.

## Instrucciones sobre las funciones

---

- La configuración de temperatura predeterminada es 54 °F (12 °C) en las zonas superior e inferior. La escala de temperatura predeterminada es °F
- Para cambiar la visualización entre °F y °C, presione los botones de temperatura superior e inferior simultáneamente durante aproximadamente 3-5 segundos.
- The temperature can be set as low as 41°F (5°C) or as high as 64°F (18°C) .
- La temperatura real dentro del aparato puede variar según la temperatura ambiente, la frecuencia con la que se abre la puerta y cuántas botellas calientes se han agregado recientemente al aparato.
- Cada pulsación del botón de temperatura superior o inferior disminuirá la temperatura de esa zona en incrementos de 1 °C
- **Función de memoria de temperatura**  
En caso de interrupción del suministro eléctrico, la cava de vinos podrá recordar el ajuste de temperatura anterior y cuando se restablezca el suministro, la temperatura de la cava regresará al valor establecido antes de la interrupción.
- **Alarma de puerta abierta**  
Si la puerta quedara abierta durante 2 minutos, sonará una alarma.  
Si la puerta permaneciera abierta después de la alarma inicial, la alarma se activará cada 1 minuto.  
Cuando se activa alarma de puerta abierta la unidad emite una señal sonora y las luces internas titilan.

# Operaciones

- **Alarma de temperatura**

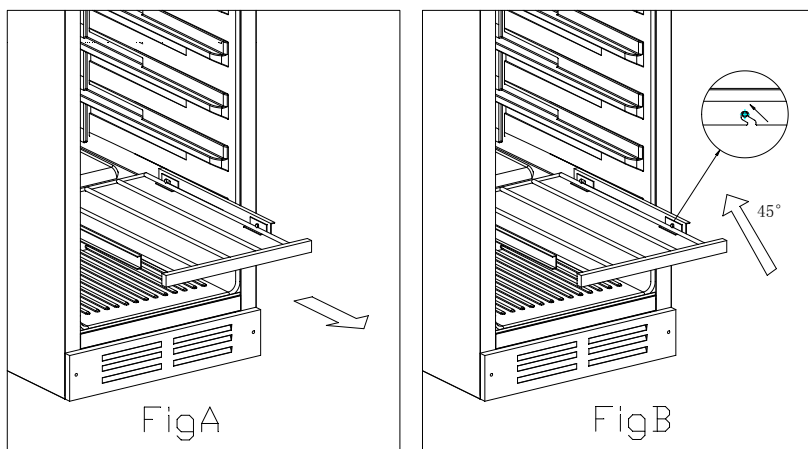
Si la temperatura interna superara los 23°C, aparecerá "HI" (Alta) en la pantalla y la alarma sonará durante una hora en forma continua. Indica que la temperatura es demasiado elevada, verifique el motivo.

Si la temperatura interna fuera inferior a los 0°C, aparecerá "LO" (Baja) en la pantalla y la alarma y la luz indicadora de avería se activarán al mismo tiempo.

- **NOTA**

Si la unidad se desenchufa, se interrumpe o corta el suministro eléctrico deberá esperar entre 3 y 5 minutos antes de reiniciar la unidad. Si intenta reiniciarla antes de que haya pasado dicho período, la cava de vinos no se reiniciará. Si fuera la primera vez que se lo usa o si va a encenderlo después de un período prolongado, la temperatura diferirá entre el parámetro y la temperatura que aparece en la pantalla LED. Después de funcionar durante un determinado período, la temperatura se revertirá.

## **ESTANTES**



- **Para retirar los estantes:**

1. Extienda completamente el estante que desea retirar (Fig. A)
2. Levante la parte frontal del estante a 45° (Fig. B)

- **NOTA**

No tape los soportes para botellas con papel de aluminio ni ningún otro material que pueda evitar la circulación adecuada del aire dentro de gabinete.



# Cuidado y mantenimiento

---

## Limpieza

---

### **LIMPIEZA DE LA CAVA DE VINOS**

- Apague la electricidad, desenchufe el electrodoméstico y retire todas sus piezas, incluyendo los estantes y el soporte para botellas.
- Lave las superficies interiores con agua tibia y una solución suave.
- Lave los estantes con una solución suave de detergente.
- Retire el exceso de agua con una esponja o paño al limpiar la zona de los controles o cualquier parte eléctrica.
- Lave el exterior del gabinete con agua tibia y un detergente líquido suave. Enjuague bien y seque con un paño limpio y suave.

### **FALLA ENERGÉTICA**

- La mayoría de las fallas energéticas se corrigen en unas horas y no deberían afectar la temperatura de su electrodoméstico si minimiza la cantidad de veces que se abre la puerta. Si va a desconectarse la alimentación eléctrica por un período prolongado, debe tomar las medidas necesarias para proteger el contenido del electrodoméstico.

### **VACACIONES**

- **Vacaciones breves:** Deje la cava de vinos funcionando durante las vacaciones de menos de tres semanas de duración.
- Si no va a utilizar el electrodoméstico durante varios meses, retire todo el contenido y apague el electrodoméstico. Limpie y seque el interior por completo. A fin de evitar malos olores y la proliferación de moho, deje la puerta levemente abierta; trábela en esa posición si fuera necesario.

### **CÓMO TRASLADAR LA CAVA DE VINOS**

- Retire todo el contenido.
- Retire los elementos sueltos del interior de la cava (como los estantes), o fíjelos con la espuma.
- Gire la pata ajustable hasta la base a fin de evitar daños.
- Cierre la puerta con cinta adhesiva.
- Asegúrese de que el electrodoméstico se mantenga en posición vertical durante el traslado. Proteja el exterior del electrodoméstico con una manta o elemento similar.

### **CONSEJOS DE AHORRO DE ENERGÍA**

- La cava de vinos debe estar ubicada en la parte más fresca del ambiente, alejada de electrodomésticos que generan calor y de la luz solar directa.

TODOS LOS ELECTRODOMÉSTICOS ESTÁN DISEÑADO CON LUCES LED QITH, SI LAS LUCES LED SE DAÑARAN, COMUNÍQUESE CON EL SERVICIO POST VENTA A FIN DE REEMPLAZARLAS.



# Solución de problemas

Antes de solicitar servicio técnico revise los siguientes puntos de verificación. En el caso de solicitudes de servicio para situaciones normales (cuando no existe ningún defecto), se exigirá un cargo a los usuarios.

## General

### Temperatura

Síntoma	Causas posibles	Solución
La cava no funciona. La temperatura de la cava es cálida.	<ul style="list-style-type: none"><li>El cable de alimentación no está conectado correctamente.</li></ul>	<ul style="list-style-type: none"><li>Enchufe correctamente el cable de alimentación.</li></ul>
	<ul style="list-style-type: none"><li>El aparato está apagado.</li></ul>	<ul style="list-style-type: none"><li>Encienda el aparato.</li></ul>
	<ul style="list-style-type: none"><li>El disyuntor se disparó o se fundió un fusible.</li></ul>	<ul style="list-style-type: none"><li>Verifique el interruptor de circuito.</li></ul>
	<ul style="list-style-type: none"><li>La cava está sobrecargada. Hay una botella bloqueando las ventilaciones de la cava.</li></ul>	<ul style="list-style-type: none"><li>No sobrecargue la cava. Evite que las botellas bloqueen la ventilación.</li></ul>
Wine cellar is over-cooling.	<ul style="list-style-type: none"><li>El control de temperatura no está configurado correctamente.</li></ul>	<ul style="list-style-type: none"><li>Eleve la temperatura.</li></ul>

### Olores

Síntoma	Causas posibles	Solución
La cava tiene olores.	<ul style="list-style-type: none"><li>Puede ser el olor natural del soporte para vinos de madera.</li></ul>	<ul style="list-style-type: none"><li>Limpia la cava y abre la puerta por unos instantes.</li></ul>

### Condensation

Síntoma	Possible causes	Solution
Se forma condensación en las paredes internas.	<ul style="list-style-type: none"><li>Si se deja la puerta abierta, entra humedad en la cava.</li></ul>	<ul style="list-style-type: none"><li>Retire la humedad y no abra la puerta durante un tiempo.</li></ul>

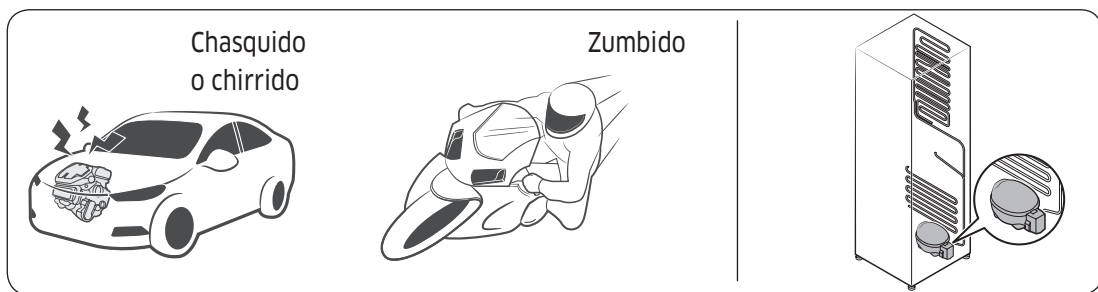
# Solución de problemas

## Sonidos anormales

Antes de solicitar servicio técnico revise los siguientes puntos de verificación. En el caso de solicitudes de servicio relacionado con ruidos normales se exigirá un cargo al usuario.

### Dichos ruidos son normales.

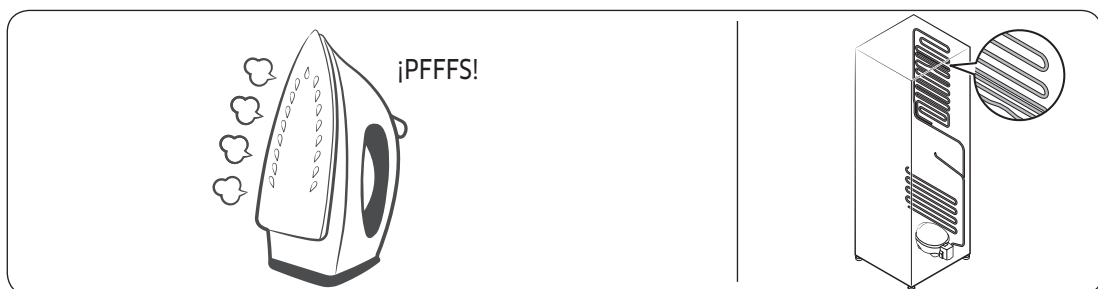
- Cuando se inicia o finaliza una operación, la cava puede emitir unos sonidos similares al encendido del motor de un auto. Cuando la operación se estabiliza, el ruido disminuye.



- Cuando el ventilador está en funcionamiento puede producir algunos ruidos. Cuando la cava alcanza la temperatura establecida, el ventilador deja de producir ruidos.

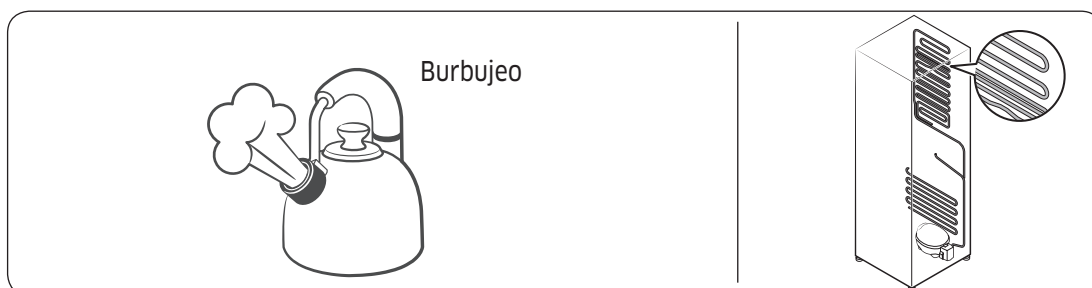


- Durante un ciclo de descongelación, pueden caer gotas de agua sobre el calefactor y producir ruidos de chisporroteo.

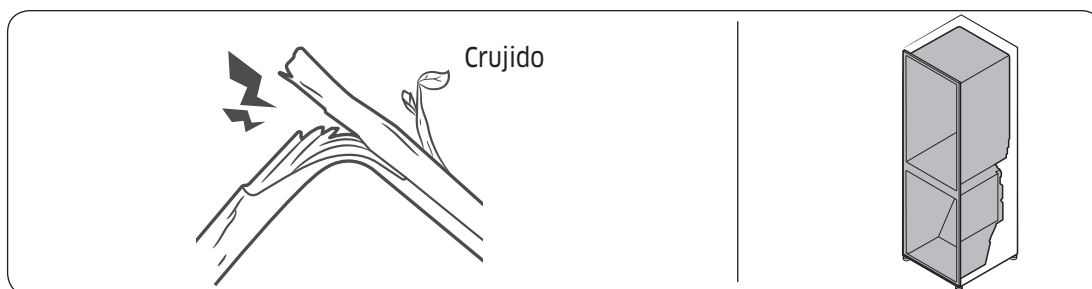




- Cuando la cava enfría el gas refrigerante circula por las tuberías selladas y produce ruidos de burbujas.



- Cuando la temperatura de la cava aumenta o disminuye, las partes plásticas se contraen y se expanden y producen ruidos de golpeteo. Dichos ruidos se producen durante el ciclo de descongelación o cuando las piezas electrónicas están funcionando.



- Debido a la equalización de la presión cuando se abre y cierra la puerta, pueden producirse sonidos silbantes.

# GARANTÍA LIMITADA (EE.UU.)

---

## REFRIGERADOR SAMSUNG

---

### **GARANTÍA LIMITADA AL COMPRADOR ORIGINAL CON COMPROBANTE DE COMPRA**

Este producto de marca SAMSUNG, suministrado y distribuido por Samsung Electronics America, Inc.(SAMSUNG) y entregado nuevo en su caja de fábrica al comprador original, está garantizado por SAMSUNG ante defectos de fabricación relacionados con los materiales o la mano de obra durante el período de garantía limitado a:

**Un (1) año para las piezas y la mano de obra**

**Cinco (5) años para las piezas y la mano de obra exclusivamente del sistema hermético de refrigeración (compresor, evaporador, condensador, deshumidificador y tuberías de conexión)**

**Diez (10) años para las piezas y cinco (5) años para la mano de obra exclusivamente del compresor Inverter digital**

Esta garantía limitada solo es válida para productos comprados y utilizados en Estados Unidos de América que hayan sido instalados, operados y mantenidos de acuerdo a las instrucciones que se adjuntaron o proporcionaron con el producto. Para recibir el servicio técnico de la garantía, el comprador debe comunicarse con SAMSUNG en la dirección o con el número de teléfono detallado en esta garantía con el fin de que se determine el problema y los procedimientos del servicio. El servicio de garantía solo puede realizarse a través de un Centro de Servicio autorizado por SAMSUNG. Debe presentarse la factura original de venta bajo solicitud de SAMSUNG o del Centro de Servicio autorizado por SAMSUNG como prueba de compra para recibir el servicio técnico de la garantía.

SAMSUNG brindará servicio técnico a domicilio sin costo dentro de los Estados Unidos contiguos durante el período de garantía, sujeto a disponibilidad de los prestadores de servicio técnico autorizados dentro del área geográfica del cliente. Si el servicio a domicilio no está disponible, SAMSUNG podrá, según su criterio, optar por brindar el servicio de transporte del producto de ida y vuelta al centro de servicio. Si el producto se encuentra en un área sin prestadores de servicio técnico autorizado de SAMSUNG, es posible que se cobre el costo del viaje o se solicite que el cliente lleve el producto a un centro de servicio técnico autorizado de SAMSUNG para que se realice el servicio técnico.

Como condición para que se preste este servicio a domicilio, el producto debe encontrarse libre de obstrucciones y accesible para el agente de servicio.

Durante el período de garantía correspondiente, el producto se reparará, reemplazará, o se devolverá el monto de la compra, según decida SAMSUNG. SAMSUNG podrá utilizar piezas nuevas o reparadas al reparar el producto; o lo reemplazará con un producto nuevo o reparado. Las piezas y los productos reemplazados estarán garantizados por la garantía del producto original que resta, o noventa (90) días, el período que sea el más prolongado. Todas las piezas y los productos reemplazados son propiedad de SAMSUNG y deben ser devueltos a SAMSUNG.

# **GARANTÍA LIMITADA (EE.UU.)**

---

Esta garantía limitada cubre defectos de fabricación en materiales o de mano de obra bajo condiciones de uso doméstico normal, no comercial, del producto y no cubrirá lo siguiente: daños ocasionados durante el transporte, la entrega o la instalación o por uso distinto al previsto para este producto; producidos por modificación o alteración no autorizada del producto; productos a los que se le borraron, desfiguraron o cambiaron de forma alguna los números de serie de fabricación originales, o en los que no se puede leer con claridad; daños cosméticos como rayones, abolladuras o muescas, o cualquier daño al acabado del producto; daños producidos por abuso, uso incorrecto, infestación de plagas, accidentes, incendios, inundaciones u otros fenómenos de la naturaleza o casos de fuerza mayor; daños producidos por uso de equipos, herramientas, servicios, piezas, suministros, accesorios, aplicaciones, instalaciones, reparaciones, cableado externo o conectores no suministrados o autorizados por SAMSUNG; daños causados por corriente o voltaje incorrectos, sobretensión o fluctuación de la línea eléctrica; daños causados por no operar o mantener el producto como establecen las instrucciones; instrucción a domicilio sobre el uso del producto; servicio técnico para el arreglo de instalaciones que no se adecuan a los códigos de electricidad y fontanería o arreglo de conexiones eléctricas o de fontanería del hogar (por ejemplo, arreglos de cableado, fusibles o tuberías de la toma de agua). El costo de reparación o remplazo bajo estas circunstancias excluidas le corresponderá al cliente.

Las visitas de un técnico de servicio autorizado para explicar las funciones, el mantenimiento o la instalación del producto no están cubiertas por esta garantía limitada. Comuníquese con SAMSUNG al número que figura a continuación si necesita asistencia en los anteriores casos.

## **EXCLUSIÓN DE GARANTÍAS IMPLÍCITAS**

GARANTÍAS TÁCITAS, INCLUYENDO LAS GARANTÍAS DE COMERCIABILIDAD O APTITUD PARA UN PROPÓSITO ESPECIAL, POSEEN UN TÉRMINO LIMITADO DE UN AÑO O EL PERÍODO MÁS CORTO PERMITIDO POR LA LEY.

Algunos Estados no permiten limitaciones en cuanto al plazo de una garantía implícita, por lo tanto las limitaciones o exclusiones antedichas pueden no aplicarse en su caso. Esta garantía le otorga derechos específicos, e incluso puede otorgarle otros derechos que varían de un estado a otro.

# GARANTÍA LIMITADA (EE.UU.)

---

## LIMITACIÓN DE COMPENSACIÓN

SU ÚNICA COMPENSACIÓN ES LA REPARACIÓN DEL PRODUCTO, EL REPLAZO DEL PRODUCTO O LA DEVOLUCIÓN DEL MONTO DE LA COMPRA, SEGÚN DECIDA SAMSUNG, DE ACUERDO A LO ESTIPULADO EN ESTA GARANTÍA LIMITADA. SAMSUNG NO SERÁ RESPONSABLE DE DAÑOS IMPREVISTOS O DERIVADOS, QUE INCLUYEN PERO NO SE LIMITAN AL TIEMPO Y FORMA DEL TRABAJO, HOTELES Y/O COMIDAS DE RESTAURANTES, GASTOS DE REMODELACIÓN, PÉRDIDA DE INGRESOS O GANANCIAS, NO OBTENCIÓN DE AHORROS U OTROS BENEFICIOS SIN IMPORTAR LA TEORÍA JURÍDICA EN LA QUE SE BASA EL RECLAMO, INCLUSO SI SE HA NOTIFICADO A SAMSUNG QUE TALES DAÑOS ERAN POSIBLES. Algunos estados no permiten la exclusión o limitación de daños imprevistos o derivados, por lo tanto las limitaciones o las exclusiones nombradas anteriormente podrían no aplicarse. Esta garantía le otorga derechos específicos, e incluso puede otorgarle otros derechos que varían de un estado a otro.

SAMSUNG no garantiza un funcionamiento ininterrumpido y sin fallas del producto. Ninguna otra garantía otorgada por persona, compañía o corporación alguna con respecto al presente producto revestirá carácter vinculante para SAMSUNG.

Para obtener el servicio de garantía, pónganse en contacto con SAMSUNG en:

Samsung Electronics America, Inc. 85 Challenger Road  
Ridgefield Park, NJ 07660  
1-800-SAMSUNG (726-7864)  
1-844-SAM-PAYS (726-7297)  
[www.samsung.com/us/support](http://www.samsung.com/us/support)

# memorándum

---

**SAMSUNG**

**Contacte a SAMSUNG WORLD WIDE**

Si tiene preguntas o comentarios relacionados con los productos Samsung, póngase en contacto con el Servicio de Atención al Cliente de SAMSUNG.

País	Centro de contacto	Sitio web
U.S.A	1-800-SAMSUNG (726-7864) 1-844-SAM-PAYS (726-7297)	<a href="http://www.samsung.com/us/support">www.samsung.com/us/support</a>

