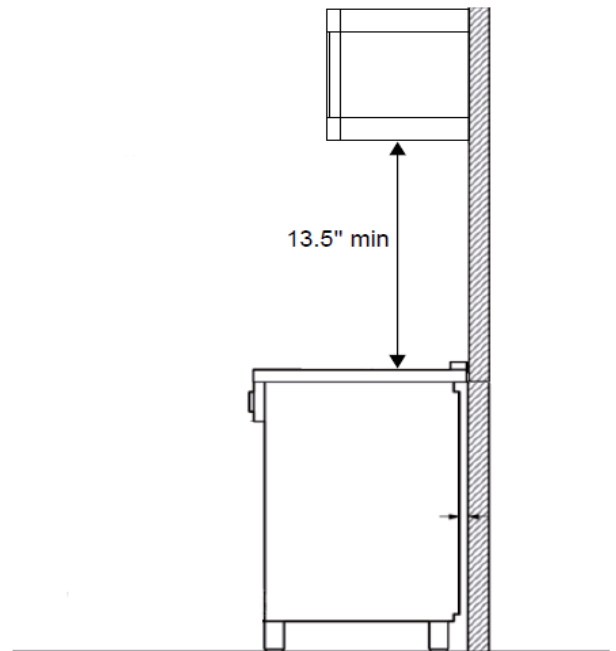
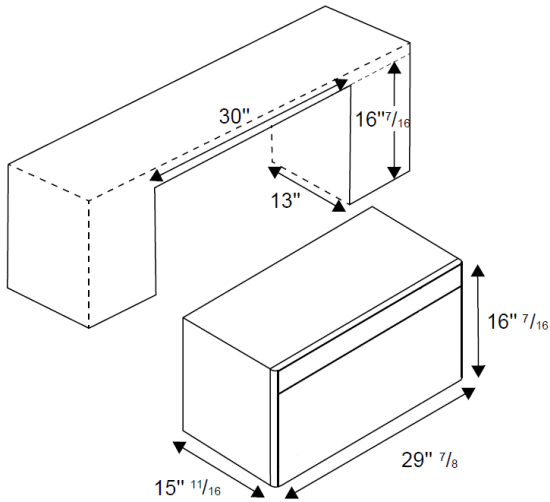


KOTR30XV

30" OVER THE RANGE MICROWAVE OVEN INSTALLATION INSTRUCTIONS



INSTALLATION DRAWING

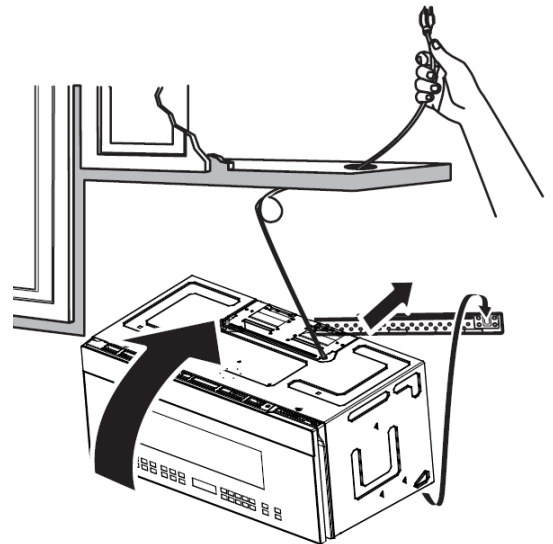
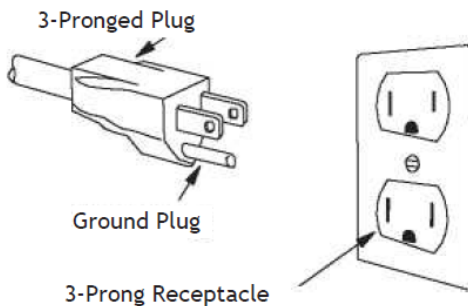


ELECTRICAL CONNECTION

The Power Supply Cord and plug must be connected to a separate 120 Volt AC 60 Hz, 15 Amp or more branch circuit, single grounded receptacle.

The cord has a 3-pronged plug and must be installed into an outlet that is properly grounded.

The electrical receptacle must be within the minimum cord length of 39" 3/8



Bertazzoni recommends to operate the appliance after it has been installed in a cabinet. The kitchen cabinets shall be made of materials capable of withstanding temperatures at least 117°F (65°C) above room temperature in order to avoid possible damage to the cabinets during oven usage.

For further installation instructions refer to the installation manual.

**For full installation details and requirements
consult the installation manual**

Disclaimer: while every effort has been made to insure the accuracy of the information contained in this document, Fratelli Bertazzoni reserves the right to change any part of the information at any time without notice. For detailed installation specifications consult the installation manual. Fratelli Bertazzoni, Bertazzoni and the winged wheel brand icon are registered trademarks of Bertazzoni Spa.