



Microwave Oven
INSTRUCTION MANUAL
Model:KOTR30X

Read these instructions carefully before using your microwave oven, and keep it carefully.

If you follow the instructions, your oven will provide you with many years of good service.

SAVE THESE INSTRUCTIONS CAREFULLY

PRECAUTIONS TO AVOID POSSIBLE EXPOSURE TO EXCESSIVE MICROWAVE ENERGY

- (a) Do not attempt to operate this oven with the door open since this can result in harmful exposure to microwave energy. It is important not to defeat or tamper with the safety interlocks.
- (b) Do not place any object between the oven front face and the door or allow soil or cleaner residue to accumulate on sealing surfaces.
- (c) **Do not operate the oven if it is damaged. It is particularly important that the oven door closes properly and that there is no damage to the:**
 - (1) **DOOR (bent)**
 - (2) **HINGES AND LATCHES (broken or loosened)**
 - (3) **DOOR SEALS AND SEALING SURFACE**
- (d) The oven should not be adjusted or repaired by anyone except properly qualified service personnel.

Specifications

Model:	KOTR30X
Rated Voltage:	120V~ 60Hz
Rated Input Power(Microwave):	1550 W
Rated Output Power(Microwave):	1000 W
Oven Capacity:	1.6 Cu.ft.(44 L)
Turntable Diameter:	Ø 13.6 inch(345 mm)
External Dimensions:	29.8X15.0X16.4 inch
Net Weight:	Approx. 55.11 Lbs(25kg)

IMPORTANT SAFETY INSTRUCTIONS

WARNING

To reduce the risk of burns, electric shock, fire, injury to persons or exposure to excessive microwave oven energy when using your appliance, follow basic safety precautions, including the following:

1. Read all instructions before using the appliance.
2. Read and follow the specific: **"PRECAUTIONS TO AVOID POSSIBLE EXPOSURE TO EXCESSIVE MICROWAVE ENERGY"** found on page 2.
3. As with most cooking appliances, close supervision is necessary to reduce the risk of a fire in the oven cavity.
4. To reduce the risk of fire in the oven cavity:
 - i). Do not overcook food. Carefully attend the appliance when paper, plastic, or other combustible materials are placed inside the oven to facilitate cooking.
 - ii). Remove wire twist-ties and metal handles from paper or plastic containers/bags before placing them in the oven.
 - iii). If materials inside the oven ignite, keep the oven door closed. Turn the oven off, and unplug the appliance. Disconnect the power cord, shut off power at the fuse or circuit breaker panel.
 - iv). Do not use the oven cavity for storage purposes. Do not leave paper products, cooking utensils, or food in the cavity when not in use.
5. This oven must be grounded. Connect only to properly grounded outlet. See **"GROUNDING INSTRUCTIONS"** found on page 4.
6. Install or locate this oven only in accordance with the installation instructions provided.
7. Some products such as whole eggs and sealed containers-for example, closed glass jars-are able to explode and should not be heated in the oven.
8. Use this appliance only for its intended uses as described in this manual. Do not use corrosive chemicals or vapors in this appliance. This oven is specifically designed to heat or cook or dry food. It is not designed for industrial or laboratory use.
9. As with any appliance, close supervision is necessary when used by children.
10. Do not operate this oven if it has a damaged cord or plug, if it is not working properly or if it has been damaged or dropped.
11. This appliance should be serviced only by qualified service technicians. Contact the nearest authorized service facility for examination, repair or adjustment.
12. Do not cover or block any openings on the oven.
13. Do not store or use this appliance outdoors.
14. Do not use this oven near water, for example, near a kitchen sink, in a wet basement, near a swimming pool, or similar locations.
15. Do not immerse cord or plug in water.
16. Keep cord away from heated surfaces.
17. Do not let cord hang over edge of table or counter.
18. When cleaning surfaces of door and oven that comes together on closing the door, use only mild, nonabrasive soaps or detergents applied with a sponge or soft cloth.

19. Liquids, such as water, coffee, or tea are able to be overheated beyond the boiling point without appearing to be boiling. Visible bubbling or boiling when the container is removed from the microwave oven is not always present. THIS COULD RESULT IN VERY HOT LIQUIDS SUDDENLY BOILING OVER WHEN THE CONTAINER IS DISTURBED OR A SPOON OR OTHER UTENSIL IS INSERTED INTO THE LIQUID.

- i) Do not overheat the liquid.
- ii) Stir the liquid both before and halfway through heating it.
- iii) Do not use straight-sided containers with narrow necks.
- iv) After heating, allow the container to stand in the microwave oven for a short time before removing the container.
- v) Use extreme care when inserting a spoon or other utensil into the container.

20. Do not mount over sink.

21. Do not store anything directly on top of the appliance surface when the appliance is in operation.

22. VENTILATION HOODS: Including OTR

- 1) Clean Ventilation Hoods Frequently -Grease should not be allowed to accumulate on hood or filter.
- 2) When flaming foods under the hood, turn the fan on.
- 3) Use care when cleaning the vent-hood filter. Corrosive cleaning agents, such as lye-based oven cleaners, may damage the filter
- 4) Suitable for use above both gas and electric cooking equipment.

SAVE THESE INSTRUCTIONS

GROUNDING INSTRUCTIONS

DANGER

Electric Shock Hazard

Touching some of the internal components can cause serious personal injury or death. Do not disassemble this appliance.

WARNING

Electric Shock Hazard

Improper use of the grounding can result in electric shock. Do not plug into an outlet until appliance is properly installed and grounded.

Three-pronged (grounding) plug



This appliance must be grounded. In the event of an electrical short circuit, grounding reduces the risk of electric shock by providing an escape wire for the electric current. This appliance is equipped with a cord having grounding wire with a grounding plug. The plug must be plugged into an outlet that is properly installed and grounded.

Consult a qualified electrician or serviceman if the grounding instructions are not completely understood or if doubt exists as to whether the appliance is properly grounded. If it is necessary to use an extension cord, use only a 3-wire extension cord that has a 3-pronged grounding plug, and a 3-slot receptacle that will accept the plug on the appliance. The marked rating of the extension cord shall be equal to or greater than the electrical rating of the appliance.

1. A short power-supply cord is provided to reduce the risks resulting from becoming entangled in or tripping over a longer cord.
2. Longer cord sets or extension cords are available and may be used if care is exercised in their use.
3. If a long cord sets or extension cord is used:
 - 1) The marked electrical rating of the cord set or extension marked electrical rating of the cord set or extension cord should be at least as great as the electrical rating of the appliance.
 - 2) The extension cord must be a grounding-type 3-wire cord; and
 - 3) The longer cord should be arranged so that it will not drape over the countertop or tabletop where it can be pulled on by children or tripped over unintentionally.

Radio Interference

1. Operation of the microwave oven may cause interference to your radio, TV or similar equipment.
2. When there is interference, it may be reduced or eliminated by taking the following measures:
 - 1) Clean door and sealing surface of the oven
 - 2) Reorient the receiving antenna of radio or television.
 - 3) Relocate the microwave oven with respect to the receiver.
 - 4) Move the microwave oven away from the receiver.
 - 5) Plug the microwave oven into a different outlet so that microwave oven and receiver are on different branch circuits.

UTENSILS

CAUTION

Personal Injury Hazard

Tightly-closed utensils could explode. Closed containers should be opened and plastic pouches should be pierced before cooking.

See the instructions on "Materials you can use in microwave oven or to be avoided in microwave oven."

There may be certain non-metallic utensils that are not safe to use for microwaving. If in doubt, you can test the utensil in question following the procedure below.

Utensil Test:

1. Fill a microwave-safe container with 1 cup of cold water (250ml) along with the utensil in question.
2. Cook on maximum power for 1 minute.
3. Carefully feel the utensil. If the empty utensil is warm, do not use it for microwave cooking.
4. **Do not exceed 1 minute cooking time.**

Materials you can use in microwave oven

Utensils	Remarks
Aluminum foil	Shielding only. Small smooth pieces can be used to cover thin parts of meat or poultry to prevent overcooking. Arcing can occur if foil is too close to oven walls. The foil should be at least 1 inch (2.5cm) away from oven walls.
Browning dish	Follow manufacturer's instructions. The bottom of browning dish must be at least 3/16 inch (5mm) above the turntable. Incorrect usage may cause the turntable to break.
Dinnerware	Microwave-safe only. Follow manufacturer's instructions. Do not use cracked or chipped dishes.
Glass jars	Always remove lid. Use only to heat food until just warm. Most glass jars are not heat resistant and may break.
Glassware	Heat-resistant oven glassware only. Make sure there is no metallic trim. Do not use cracked or chipped dishes.
Oven cooking bags	Follow manufacturer's instructions. Do not close with metal tie. Make slits to allow steam to escape.
Paper plates and cups	Use for short-term cooking/warming only. Do not leave oven unattended while cooking.
Paper towels	Use to cover food for reheating and absorbing fat. Use with supervision for a short-term cooking only.
Parchment paper	Use as a cover to prevent splattering or a wrap for steaming.
Plastic	Microwave-safe only. Follow the manufacturer's instructions. Should be labeled "Microwave Safe". Some plastic containers soften, as the food inside gets hot. "Boiling bags" and tightly closed plastic bags should be slit, pierced or vented as directed by package.
Plastic wrap	Microwave-safe only. Use to cover food during cooking to retain moisture. Do not allow plastic wrap to touch food.
Thermometers	Microwave-safe only (meat and candy thermometers).
Wax paper	Use as a cover to prevent splattering and retain moisture.

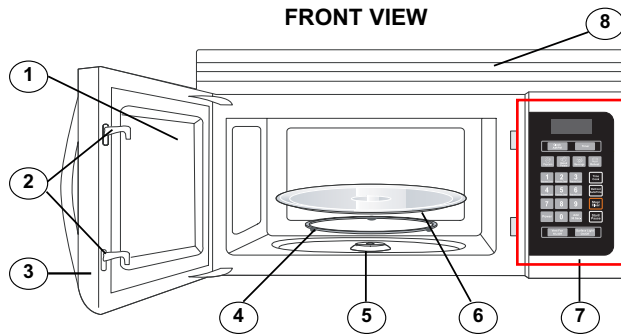
Materials to be avoided in microwave oven

Utensils	Remarks
Aluminum tray	May cause arcing. Transfer food into microwave-safe dish.
Food carton with metal handle	May cause arcing. Transfer food into microwave-safe dish.
Metal or metal-trimmed utensils	Metal shields the food from microwave energy. Metal trim may cause arcing.
Metal twist ties	May cause arcing and could cause a fire in the oven.
Paper bags	May cause a fire in the oven.
Plastic foam	Plastic foam may melt or contaminate the liquid inside when exposed to high temperature.
Wood	Wood will dry out when used in the microwave oven and may split or crack.

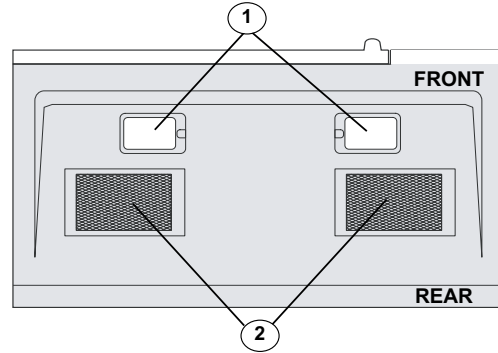
OPERATING INSTRUCTIONS

FEATURES OF YOUR MICROWAVE

- 1) Window
- 2) Interlock System
- 3) Door Assembly
- 4) Turntable Ring Assembly
- 5) Turntable Shaft
- 6) Turntable Glass Tray
- 7) Control Panel
- 8) Front Vent Grill



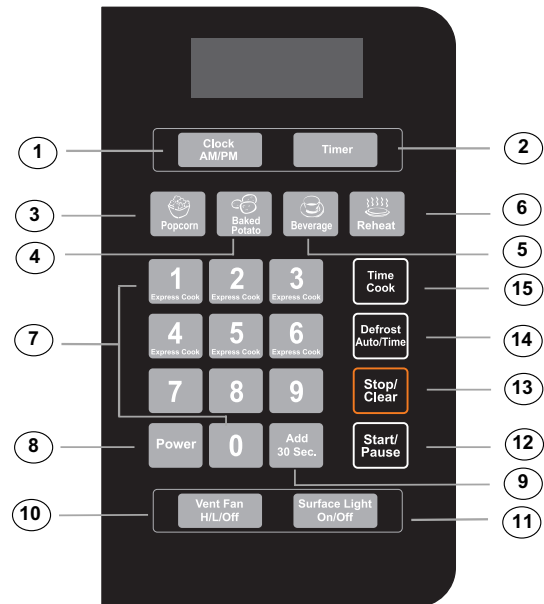
BOTTOM VIEW



- 1) Surface Lights
- 2) Ventilation Filters

CONTROLS

- 1) Clock AM/PM
- 2) Timer
- 3) Popcorn
- 4) Baked Potato
- 5) Beverage
- 6) Reheat
- 7) Number Buttons
- 8) Power
- 9) Add 30 Sec.
- 10) Vent Fan H/L/Off
- 11) Surface Light On/Off
- 12) Start/Pause
- 13) Stop/Clear
- 14) Defrost Auto/Time
- 15) Time Cook



OPERATING INSTRUCTIONS

SETTING THE CLOCK

- 1) Press "CLOCK", the unit enters the clock setting states. AM indicator will light. "0:00" flash to remind you to input the time.
- 2) Press "CLOCK" again to select AM or PM. The responding AM or PM indicator lights.
- 3) Press the number keys and enter the correct time. For example, time is 10:12 now, please press "1,0,1,2" in turn.
- 4) Press "CLOCK" key finish setting the clock.

Note:

- a. This is a 12 hour clock from 1:00 to 12:59. If the time set is not appropriate, press "CLOCK" will be no used.
- b. When current time change from 11:59 to 12:00, AM and PM will change automatically.

MICROWAVE COOKING

- 1) Press "TIME COOK " to select microwave cooking. "0:00" flash to remind you to input the cooking time.
- 2) Press the number keys to adjust the cooking time you need. For example, to cook the time for 10 minutes. Please press "1,0,0,0" in turn. The maximum cooking time is 99 minutes 99 seconds.
- 3) At the same time, you can choose the power by pressing "POWER ".
- 4) Press the number keys to select the power level.
- 5) Press "START/PAUSE" to start cooking. Time counts down.

Note:

- 1) If the power level you choose is 100% power, steps "3" and "4" can be skipped and go directly to the step "5".
- 2) After cooking finishing, buzzer sounds five times.
- 3) During cooking process, press " Add 30 Sec. " to add 30 seconds. The MAX.time is 99 minutes 99 seconds.

Ten power levels are available:

LEVEL	POWER	DISPLAY
10	100%	PL10
9	90%	PL9
8	80%	PL8
7	70%	PL7
6	60%	PL6
5	50%	PL5
4	40%	PL4
3	30%	PL3
2	20%	PL2
1	10%	PL1

MULTI-STAGE COOKING

At most two stages can be input.

For example: to cook the food with 100% microwave power for 10 minutes and then cook with 80% microwave power for 15 minutes. Do as following:

- 1) Press " TIME COOK " to choose microwave cooking;
- 2) Press "1","0","0","0" to input the cooking time;
- 3) Press "POWER " to select the microwave power;
- 4) Press "10" to choose 100% microwave power;
- 5) Press "TIME COOK " to choose microwave cooking;
- 6) Press "1","5","0","0" to input cooking time;
- 7) Press "POWER " to select the microwave power;
- 8) Press "8" to choose 80% microwave power;
- 9) Press "START/PAUSE" to start cooking.

Note:

- a. Microwave cooking can be set as two stages only. Defrost program and auto menu cannot be set here.
- b. When the first stage finish, buzzer sounds once and the second stage begins cooking.

DEFROST COOKING

A. Defrost By Weight

- 1) Press "DEFROST AUTO/TIME" once to choose defrost by weight function. 0.0 will flash and "lb" indicator flash;
- 2) Press number keys from 0 to 9 to input the defrost weight. For example: the food weight is 1.2 Lbs, then "1","2" will be input. The maximum cooking weight is 6.0 Lbs. If the weight input is more than 6.0 Lbs, the unit will turn back to waiting states.
- 3) Press "START/PAUSE" to start defrosting. "lb" indicator will be off.

DEFROST BY TIME

- 1) Press "DEFROST AUTO/TIME" twice to choose defrost by time function. 0:00 flash and defrost indicator will light;
- 2) Press number keys from 0 to 9 to input the defrost time. The maximum time can be input is 99 minutes and 99 seconds.
- 3) Press "START/PAUSE" to start defrosting.

Note: If half the defrost time passes, the buzzer will sound twice to remind you to turn the food over.

OPERATING INSTRUCTIONS

POPCORN

- a) Press "POPCORN" repeatedly until the number you wish appears in the display.
"1" SET: approximate 1.75 ounces
"2" SET: approximate 3.0 ounces
"3" SET: approximate 3.5 ounces
For example, press "POPCORN" three times, "3.5" appears in the LED.
- b) Press "START/PAUSE" to cook.

Beverage Menu

- a) Press "BEVERAGE" repeatedly until the number you wish appears in the display.
"1" SET: approximate 8.8 ounces
"2" SET: approximate 17.6 ounces
"3" SET: approximate 26.4 ounces
For example, press "BEVERAGE" once, "1" appears in the LED.
- b) Press "START/PAUSE" to cook.

BAKED POTATO MENU

- 1) Press "BAKED POTATO" repeatedly until the number you wish appears in the display.
"1"SET: for approximately 7.1 ounces
"2"SET: for approximately 14.2 ounces
"3"SET: for approximately 21.3 ounces
For example, press "BAKED POTATO" once, "1" appears in the LED.
- 2) Press "START/PAUSE" to cook.

REHEAT

- 1) Press "REHEAT" repeatedly until the number you wish appears in the display.
For example, press "REHEAT" once, "8.0" ounces appears in the LED.
press "REHEAT" twice, "16.0" ounces appears in the LED.
press "REHEAT" 3 times, "24.0" ounces appears in the LED.
- 2) Press "START/PAUSE" to cook.

HOOD FUNCTION

- 1) When the exhaust fan is under off states, press "VENT FAN/HI/LOW/OFF" once to choose the fan with high speed;
- 2) Press "VENT FAN/HI/LOW/OFF" twice to choose the fan with low speed;
- 3) Press "VENT FAN/HI/LOW/OFF" three times to choose the fan to be off.

OVEN LAMP

- 1) Press "SURFACE LIGHT ON/OFF" once to turn on the lamp;
- 2) Press "SURFACE LIGHT ON/OFF" twice to turn off the lamp.

TIMER FUNCTION

- 1) Press "TIMER", timer indicator will light;
- 2) Press number keys to input the timer time you need.
The maximum cooking time is 99 minutes and 99 seconds.
- 3) Press "TIMER", time counts down. When time counting down is over, buzzer sounds to indicate off.

Note:

During timer states, hood and oven lamp can be activated. Others function will be no used.

LOCK FUNCTION FOR CHILDREN

Lock: In waiting state, press "STOP/CLEAR" for 3 seconds, there will be two beeps denoting the entering into the children-lock state.

Lock quitting: In locked state, press "STOP/CLEAR" for 3 seconds, there will be two beeps denoting that lock is released.

INQUIRING FUNCTION

- 1) Under microwave cooking states, press "POWER" to check the power level.
- 2) During cooking states, press "CLOCK" to check the clock.

SPEEDY COOKING

- a) Press number keys from 1 to 6 to start cooking with full microwave power for 1-6 minutes.
- b) In the waiting state, press "ADD 30 SEC." to start cooking 100% microwave power for 30 seconds.
- c) During cooking, 30 seconds can be added each time the "ADD 30 SEC" is pressed. The maximum cooking time is 99 minutes and 99 seconds.

Maintenance

Troubleshooting

Check your problem by using the chart below and try the solutions for each problem. If the microwave oven still does not work properly, contact the nearest authorized service center.

TROUBLE	POSSIBLE CAUSE	POSSIBLE REMEDY
Oven will not start	<ul style="list-style-type: none"> a. Electrical cord for oven is not plugged in. b. Door is open. c. Wrong operation is set. 	<ul style="list-style-type: none"> a. Plug into the outlet. b. Close the door and try again. c. Check instructions.
Arcing or sparking	<ul style="list-style-type: none"> a. Materials to be avoided in microwave oven were used. b. The oven is operated when empty. c. Spilled food remains in the cavity. 	<ul style="list-style-type: none"> a. Use microwave-safe cookware only. b. Do not operate with oven empty. c. Clean cavity with wet towel.
Unevenly cooked foods	<ul style="list-style-type: none"> a. Materials to be avoided in microwave oven were used. b. Food is not defrosted completely. c. Cooking time, power level is not suitable. d. Food is not turned or stirred. 	<ul style="list-style-type: none"> a. Use microwave-safe cookware only. b. Completely defrost food. c. Use correct cooking time, power level. d. Turn or stir food.
Overcooked foods	Cooking time, power level is not suitable.	Use correct cooking time, power level.
Undercooked foods	<ul style="list-style-type: none"> a. Materials to be avoided in microwave oven were used. b. Food is not defrosted completely. c. Oven ventilation ports are restricted. d. Cooking time, power level is not suitable. 	<ul style="list-style-type: none"> a. Use microwave-safe cookware only. b. Completely defrost food. c. Check to see that oven ventilation ports are not restricted. d. Use correct cooking time, power level.
Improper defrosting	<ul style="list-style-type: none"> a. Materials to be avoided in microwave oven were used. b. Cooking time, power level is not suitable. c. Food is not turned or stirred. 	<ul style="list-style-type: none"> a. Use microwave-safe cookware only. b. Use correct cooking time, power level. c. Turn or stir food.



Four micro-ondes

MANUEL D'UTILISATION

MODELE : KOTR30X

Lisez ces instructions avec attention avant d'utiliser votre four micro-ondes pour la première fois, et conservez-les précieusement.

En suivant bien ces instructions vous pourrez profiter de longues années de votre four, avec une utilisation optimale de ses possibilités.

GARDEZ CE MANUEL D'UTILISATION DANS UN ENDROIT SUR.

PRÉCAUTIONS POUR ÉVITER L'EXPOSITION AUX MICRO-ONDES

(a) N'essayez pas de faire fonctionner ce four avec la porte ouverte puisqu'il exposera l'utilisateur à de l'énergie micro-ondes qui est d'ailleurs dangereux pour la santé. Il est important de ne pas entraver le fonctionnement des verrous de sécurité.

(b) Ne placez aucun objet entre la face avant du four et la porte et ne laissez jamais de saleté ou des résidus de nettoyage s'accumuler sur les surfaces étanchéité.

(c) Ne pas faire fonctionner le four s'il est endommagé. Il est particulièrement important que la porte du four soit fermée correctement et que les parties suivantes ne sont pas endommagées:

- (1) La porte (tordue)
- (2) Les charnières et loquets (brisés ou desserrés)
- (3) Les joints de porte et les surfaces d'étanchéité

(d) Le four ne doit pas être réglé ou réparé par n'importe qui, sauf un personnel qualifié.

Caractéristiques

Modèle:	KOTR30X
Tension nominale:	120V~ 60Hz
Puissance d'entrée nominale (Micro-onde):	1550 W
Puissance de sortie nominale (Micro-onde):	1000 W
Capacité du four:	1.6 Cu.ft.(44 L)
Diamètre du plateau tournant:	Ø 13.6 inch(345 mm)
Dimensions extérieures:	29.8X15.0X16.4 inch
Poids net:	Approx. 55.11 Lbs(25kg)

CONSIGNES DE SÉCURITÉ IMPORTANTES

AVERTISSEMENT

Pour éliminer tout risque de brûlures, d'électrocution, d'incendie, de blessures ou d'exposition à l'énergie micro-ondes du four lors de l'utilisation de l'appareil, vous êtes conseiller de suivre les précautions de sécurité de base, y compris:

1. Lire toutes les instructions avant d'utiliser l'appareil.
2. Lire et respecter: "Les précautions pour éviter l'exposition aux micro-ondes" sur la page 2
3. Comme avec la plupart des appareils de cuisson, une surveillance stricte est nécessaire pour réduire tout risque d'incendie dans la cavité du four.
 - i). Ne pas trop cuire les aliments. Surveiller l'appareil de proche lorsque du papier, du plastique ou d'autres matériaux combustibles sont placés à l'intérieur du four pour faciliter la cuisson.
 - ii) Retirer tous fixations métalliques des emballages/sacs en papier ou en plastique avant de les placer dans le four.
 - iii). Si les matériaux à l'intérieur du four prennent feu, garder la porte du four fermée. Éteignez le four et débranchez l'appareil. Débranchez le cordon d'alimentation, coupez le courant au coffret de fusibles ou disjoncteurs.
 - iv). N'utilisez pas la cavité du four pour stocker des aliments. Ne laissez pas de produits en papier, ustensiles de cuisine, ou de la nourriture dans la cavité lorsqu'il n'est pas en utilisation.
4. Pour réduire le risque d'incendie dans la cavité du four:
 - i). Ne pas trop cuire les aliments. Surveiller l'appareil de proche lorsque du papier, du plastique ou d'autres matériaux combustibles sont placés à l'intérieur du four pour faciliter la cuisson.
 - ii) Retirer tous fixations métalliques des emballages/sacs en papier ou en plastique avant de les placer dans le four.
 - iii). Si les matériaux à l'intérieur du four prennent feu, garder la porte du four fermée. Éteignez le four et débranchez l'appareil. Débranchez le cordon d'alimentation, coupez le courant au coffret de fusibles ou disjoncteurs.
 - iv). N'utilisez pas la cavité du four pour stocker des aliments. Ne laissez pas de produits en papier, ustensiles de cuisine, ou de la nourriture dans la cavité lorsqu'il n'est pas en utilisation.
5. Ce four doit être relié à la terre. Branchez-le seulement à une prise mise à la terre. Voir "CONSIGNES DE MISE A TERRE" sur la page 4.
6. Installez ou placez ce four en respectant les instructions d'installation fournies.
7. Certains produits à l'instar des œufs entiers et des conteneurs scellés - des bocaux en verre fermés peuvent exploser et ne devraient pas être chauffés dans le four.
8. Utilisez cet appareil uniquement pour les utilisations prévues, comme décrit dans ce manuel. N'utilisez jamais de produits chimiques corrosifs dans cet appareil. Ce four est spécifiquement conçu pour réchauffer ou cuire ou de la nourriture sèche. Il n'est pas conçu pour usage industriel ou de laboratoire.
9. Comme tout autre appareil, une surveillance stricte est nécessaire lorsqu'il est utilisé par les enfants.
10. N'utilisez jamais ce four si le cordon ou la fiche d'alimentation est endommagé, ne fonctionne pas correctement ou s'il a été endommagé ou est tombé.
11. Seul un technicien qualifié peut dépanner cet appareil. Contactez le centre de service le plus proche pour examen, dépannage ou réglage.
12. Ne couvrez jamais les ouvertures sur le four.
13. Ne gardez/utilisez jamais cet appareil à l'extérieur.
14. N'utilisez pas ce four près de l'eau, par exemple, près d'un évier de cuisine, dans un sous-sol humide, près d'une piscine, ou des endroits similaires.
15. Ne pas immerger le cordon ou la fiche dans l'eau.
16. Gardez le cordon loin des surfaces chauffées.
17. Ne laissez pas le cordon pendre de la table ou du comptoir.
18. Lors du nettoyage de surfaces d'étanchéité de la porte et du four, utilisez des savons ou des détergents non abrasifs avec une éponge ou un chiffon doux.

19. Des liquides tels que de l'eau, du café ou du thé peuvent être surchauffés au-delà du point d'ébullition sans bouillir visiblement. L'ébullition lorsque le récipient est retiré du four à micro-ondes n'est pas toujours présent. CELA POURRAIT CAUSER DES LIQUIDES TRÈS CHAUDS A DÉBORDER LORSQUE LE RECIPIENT EST PERTURBE OU UNE CUILLERE OU UN AUTRE USTENSILE EST INSERE DANS LE LIQUIDE.

- i) Ne surchauffez pas le liquide.
- ii) Remuer le liquide avant et pendant le chauffage.
- iii) Ne pas utiliser de récipients à bords droits et à goulot étroit.
- iv) Après le chauffage, laisser reposer le contenant dans le four à micro-ondes pendant une courte période avant de le retirer.
- v) Faites attention lors de l'insertion d'une cuillère ou un autre ustensile dans le récipient.

20. Ne le monter pas au-dessus de l'évier.

21. Ne stockez quoi que ce soit directement sur le dessus de la surface de l'appareil lorsque l'appareil est en marche.

CONSERVER CES CONSIGNES DE MISE A TERRE

DANGER

Risque de choc électrique si vous touchez certains composants internes qui peuvent causer des blessures corporelles graves ou mortelles. Ne pas démonter cet appareil.

Cet appareil doit être relié à la terre. Dans le cas d'un court-circuit électrique, la mise à terre réduit le risque de choc électrique en fournissant un fil de fuite pour le courant électrique. Cet appareil est équipé d'un cordon ayant un fil de mise à terre avec une fiche triphasée. .

AVERTISSEMENT

Risque de choc électrique si la mise à terre de l'appareil est incorrecte. Ne branchez pas l'appareil à une prise jusqu'à ce que l'appareil est correctement installé et mis à terre.

Fiche à trois broches (mise à la terre)



La fiche doit être branchée dans une prise correctement installée et mise à la terre. Consultez un électricien qualifié si les instructions de mise à la terre ne sont pas complètement comprises ou en cas de doute si l'appareil est correctement mis à la terre. S'il est nécessaire d'utiliser une rallonge, utilisez uniquement une rallonge trifilaire qui a une fiche triphasée et une prise à trois fentes pouvant accepter la fiche de l'appareil. La tension indiquée sur la rallonge doit être égale ou supérieure à la capacité électrique de l'appareil.

** Il n'est pas conseillé d'utiliser cet appareil avec une rallonge.

Interférence Radio

** Utilisez uniquement un circuit dédié pour cet appareil.

D'autres produits ne doivent pas être branchés sur le même circuit quand l'appareil est en marche.

1. Le Fonctionnement du four à micro-ondes peut provoquer des interférences avec votre radio, TV ou autre équipement similaire.
2. S'il y a des interférences, il peut être réduit ou éliminé en prenant les mesures suivantes:
 - 1) Nettoyez la porte les surfaces d'étanchéité du four
 - 2) Réorientez l'antenne de réception de la radio ou de la télévision.
 - 3) Déplacez le récepteur par rapport au four à micro-ondes.
 - 4) Déplacez le four à micro-ondes plus loin du récepteur.

USTENSILES

ATTENTION

Risque de blessures
personnelles

Ustensiles fermé
hermétiquement

peuvent exploser. Les
contenants fermés doivent
être ouverts et les sachets en
plastique doivent être perforés
avant la cuisson à four.

Voir la partie sur «les matériaux à utilisés ou à ne pas utiliser dans le four à micro-ondes ». Il peut y avoir certains ustensiles non métalliques qui ne sont pas adapté pour utilisation dans des fours à micro-ondes. En cas de doute, vous pouvez tester l'ustensile en question en suivant la procédure ci-dessous.

Teste d'ustensile:

1. Remplir un récipient pour micro-ondes avec 1 tasse d'eau froide (250 ml) et placez l'ustensile en question dans ce récipient.
2. Faites cuire à puissance maximale pendant 1 minute.
3. Touchez l'ustensile avec attention. Si l'ustensile vide est chaud, c'est qu'il n'est pas à utiliser dans un four à micro-ondes.
4. Le temps de cuisson ne doit pas aller au-delà de 1 minute.

Matériaux que vous pouvez utiliser dans un four à micro-ondes

Ustensiles Remarques

Papier d'aluminium.	Pour protection uniquement. Des petits morceaux lisses peuvent être utilisés pour couvrir les parties fines de viande ou de volaille pour éviter de trop cuire. Des arcs peuvent se produire si le papier d'aluminium est trop près des parois du four. Le papier d'aluminium doit être d'au moins 1 pouce (2,5 cm) à l'écart des parois du four.
Plat Brunisseur	Suivez les instructions du fabricant. Le fond du plat brunisseur doit être d'au moins 3/16 pouce (5 mm) au-dessus de la plaque tournante. Une utilisation incorrecte peut briser la plaque tournante.
Vaisselle	Adaptés à micro-ondes seulement. Suivez les instructions du fabricant. N'utilisez jamais de plats fêlés ou ébréchés.
Les bocaux en verre	Enlevez toujours le couvercle. Utilisez uniquement pour chauffer des aliments légèrement. La plupart des bocaux en verre ne sont pas résistants à la chaleur et peuvent se briser.
Verrerie	Verrerie résistant à la chaleur du four seulement. Rassurez-vous qu'il n'y a pas de garniture métallique. N'utilisez jamais de plats fêlés ou ébréchés. Suivez les instructions du fabricant. N'attachez pas le sac avec un fil métallique.
Sac de cuisson au four	Suivez les instructions du fabricant. N'attachez pas le sac avec un fil métallique. Laissez des petits orifices pour laisser la vapeur s'échapper.
Assiettes et tasses en papier	Utilisez pour des cuissons de courte durée / réchauffement seulement. Ne laissez pas le four sans surveillance pendant la cuisson.
Serviettes en papier	Utilisez pour couvrir les aliments pour le réchauffage et pour absorber la graisse. Utilisez-le avec supervision pour une courte durée de cuisson seulement.
Papier sulfurisé	Utilisez-le comme un couvercle pour éviter les éclaboussures ou un enveloppement pour la cuisson à vapeur.
Plastiques	Adaptés à micro-ondes seulement. Suivez les instructions du fabricant. Devraient être étiquetés « Adapté pour micro-onde ». Certains contenants en plastique se ramollissent au fur et à mesure que l'aliment à l'intérieur devient plus chaud. « Les sacs d'ébullition » et les sacs en plastique hermétiquement fermés doivent être fendus, perforés ou ouverts, comme indiqué sur le paquet.
Emballage en plastique	Adaptés à micro-ondes seulement. Utilisez pour couvrir les aliments pendant la cuisson pour conserver humidité. Ne pas laisser qu'une pellicule de plastique touche la nourriture.
Thermomètres	Adaptés pour micro-ondes seulement (thermomètres à sirop et viande).
Papier ciré	Utilisez-le comme un couvercle pour éviter les éclaboussures et retenir l'humidité.

Matériel à ne pas utiliser dans un four à micro-ondes

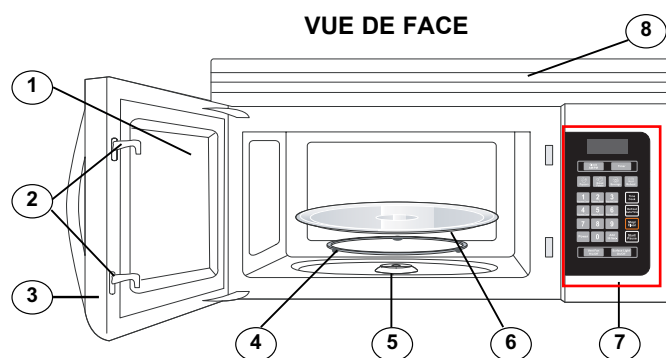
Ustensiles Remarques

Plateau en aluminium	Peut provoquer des étincelles. Transférez les aliments dans un plat adapté pour micro-ondes.
Carton avec poignée en métal	Peut provoquer des étincelles. Transférez les aliments dans un plat adapté pour micro-ondes.
Ustensiles métalliques ou revêtus de métal	Le métal empêche l'énergie micro-ondes d'atteindre la nourriture. Elle peut provoquer des étincelles.
Sac attaché avec fil métallique	Peut provoquer des étincelles et pourrait provoquer un incendie dans le four.
Sacs en papier	Peut provoquer un incendie dans le four.
Mousse plastique	Mousse plastique peut fondre ou contaminer le liquide à l'intérieur lorsqu'il est exposé à une température élevée.
Bois	Le bois sèche lorsqu'il est utilisé dans le four à micro-ondes et peut se fendre ou se craqueler.

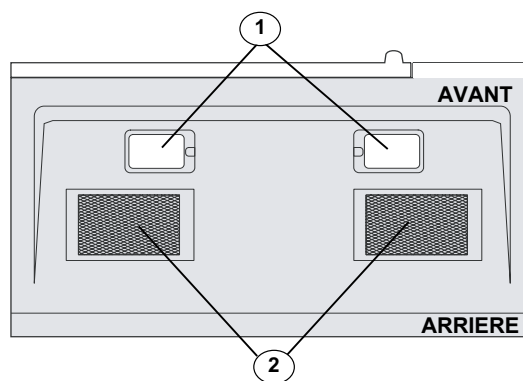
MODE D'UTILISATION

CARACTÉRISTIQUES DE VOTRE MICRO-ONDES

1. Fenêtre
2. Système de verrouillage
3. Porte
4. Plaque tournante
5. Arbre de la Plaque tournante
6. Plateau en verre de la plaque tournante
7. Panneau de configuration
8. Grille d'aération avant



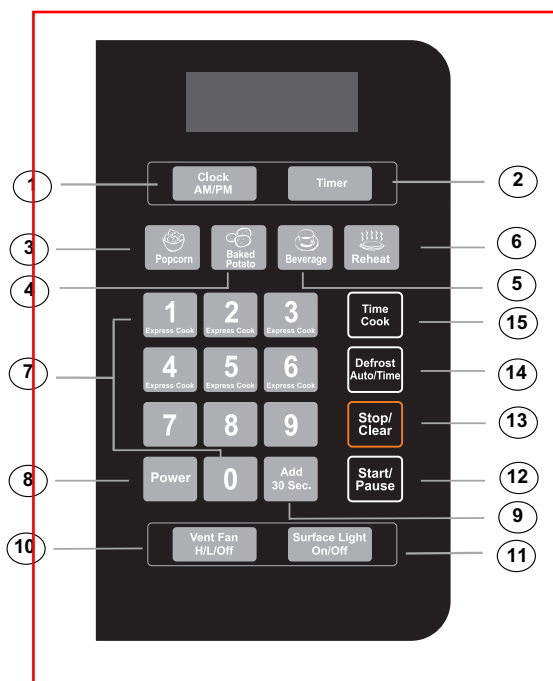
VUE DU BAS



- 1) Lumières de surface
- 2) Filtres d'aération

COMMANDES

1. Horloge AM / PM
2. Minuterie
3. Popcorn
4. Pomme de terre au four
5. Boissons
6. Réchauffage
7. Touches numériques
8. Puissance
9. Ajouter 30 Sec.
10. Vent Fan H/L/Off (Ventilateur H/B/Éteint)
11. Lumière de surface Allumer/ Éteindre
12. Démarrer / Pause
13. Arrêter / Effacer
14. Dégivrage auto / Temps
15. Temps de cuisson



MODE D'UTILISATION

PROGRAMMATION DE L'HORLOGE

- 1). Appuyez sur "CLOCK (HORLOGE)", et l'appareil passe en mode réglage de l'horloge. L'indicateur **LED** AM s'allumera. "0:00" s'affiche pour vous rappeler d'entrée la durée.
- 2). Appuyez sur "CLOCK (HORLOGE)" pour sélectionner AM ou PM en fonction des indicateurs lumineux AM ou PM.
- 3). Appuyez sur les touches numériques et entrez l'heure correcte. Par exemple, il est 10h12 maintenant, s'il vous plaît appuyez sur "1,0,1,2" respectivement.
- 4). Appuyez sur "CLOCK (HORLOGE)" pour terminer le réglage de l'horloge.

Remarque:

- a. C'est une horloge de 12 heures 1:00-12:59. Si le jeu de temps n'est pas correct, en appuyant "CLOCK (HORLOGE)", le temps affiché sera annulé.
- b. Lorsque l'horloge passe de 11h59-12h00, AM et PM changent automatiquement.

CUISSON MICRO-ONDES

1. Appuyez sur "TIME COOK" pour sélectionner la cuisson micro-ondes. "0:00" s'affiche pour vous rappeler d'entrée la durée.
2. Appuyez sur les touches numériques pour ajuster le temps de cuisson nécessaire. Par exemple, pour faire cuire votre aliment pendant 10 minutes, appuyez sur "1,0,0,0" dans cette ordre. Le temps de cuisson maximal est de 99 minutes 99 secondes.
3. En même temps, vous pouvez choisir la puissance de cuisson en appuyant sur "POWER".
4. Appuyez sur les touches numériques pour sélectionner le niveau de puissance.
5. Appuyez sur "START/PAUSE" pour lancer la cuisson. Décompte de la durée sélectionné.

Remarque:

1. Si le niveau de puissance que vous choisissez est 100%, les étapes "3" et "4" peuvent être omis et aller directement à l'étape "5".
2. Dès que la cuisson est finit, un ronfleur retentit cinq fois.
3. Pendant le processus de cuisson, appuyez sur "Add 30 Sec." Pour ajouter 30 secondes. Le temps MAX est de 99 minutes 99 secondes.

Il y a dix niveaux de puissance:

NIVEAU	PUISSANCE	AFFICHAGE
10	100%	PL10
9	90%	PL9
8	80%	PL8
7	70%	PL7
6	60%	PL6
5	50%	PL5
4	40%	PL4
3	30%	PL3
2	20%	PL2
1	10%	PL1

CUISSON A PLUSIEURS ETAPES

Au trop deux étapes peuvent être entrées.

Par exemple: pour faire cuire vos aliments à 100% de la puissance du micro-ondes pendant 10 minutes et ensuite les faire cuire à 80% de la puissance du micro-ondes pendant 15 minutes.

Suivez les étapes suivantes:

1. Appuyez sur "TIME COOK" pour sélectionner la cuisson micro-ondes.
2. Appuyez sur "1", "0", "0", "0" pour entrer le temps de cuisson;
3. Appuyez sur «POWER» pour sélectionner la puissance de micro-onde; Appuyez sur "10" pour régler la puissance de micro-onde à 100%;
5. Appuyez sur "TIME COOK" pour sélectionner la cuisson micro-ondes.
6. Appuyez sur "1", "5", "0", "0" pour entrer le temps de cuisson;
7. Appuyez sur «POWER» pour sélectionner la puissance de micro-onde;
8. Appuyez sur "8" pour régler la puissance de micro-ondes à 80%;
9. Appuyez sur "START/PAUSE" pour lancer la cuisson.

Remarque:

- a. La cuisson par micro-ondes peut être définie dans deux étapes seulement. Le programme de décongélation et le Auto menu ne peuvent pas être réglés ici.
- b. Lorsque la première étape finit, le ronfleur retentit une fois et la deuxième étape de cuisson commence automatiquement.

DÉGIVRAGE ET CUISSON

A. Dégivrage en fonction du poids de l'aliment

1. Appuyez sur "DEFROST AUTO/TIME" une fois pour sélectionner le dégivrage en fonction du poids. 0,0 clignote et l'indicateur "lb" clignote;
2. Appuyez sur les touches numériques 0-9 pour entrer le poids à dégivrer. Par exemple: si le poids de l'aliment est de 1,2 Lbs, Appuyez sur "1", "2". Le poids de cuisson maximal est de 6,0 Lbs. Si le poids entré est plus de 6,0 Lbs, l'unité demandera à l'utilisateur d'entrer le poids à nouveau.
3. Appuyez sur "START/PAUSE" pour lancer la décongélation. L'indicateur "Lb" sera éteinte.

DÉGIVRAGE PAR HEURE

1. Appuyez sur « DEFROST AUTO/TIME » deux fois pour sélectionner l'option de dégivrage par temps. 0.00 s'affichera et l'indicateur de dégivrage s'allumera;
 2. Appuyez sur les touches numériques 0-9 pour entrer le temps de dégivrage. La durée maximale à entrer est de 99 minutes et 99 secondes.
 3. Appuyez sur "START/PAUSE" pour lancer la décongélation.
- Remarque: Si la moitié du temps de dégivrage passe, le ronfleur retentit deux fois pour vous rappeler de retourner les aliments.

MODE DE FONCTIONNEMENT

POPCORN

- a) Appuyez sur "POPCORN" jusqu'à ce que le numéro que vous souhaitez apparaît sur l'afficheur.
REGLAGE "1": environ 1,75 onces
REGLAGE "2": environ 3,0 onces
REGLAGE "3": environ 3,5 onces
Par exemple, appuyez sur "POPCORN" trois fois, "3.5" apparaît sur l'afficheur LED.
b) Appuyez sur "START/PAUSE" pour faire cuire votre aliment.

Menu Boissons

- a) Appuyez sur "BEVERAGE" jusqu'à ce que le numéro que vous souhaitez apparaît sur l'afficheur.
REGLAGE "1": environ 8,8 onces
REGLAGE "2": environ 17,6 onces
REGLAGE "3": environ 26,4 onces
Par exemple, appuyez sur "BEVERAGE" une fois, "1" apparaît sur l'afficheur LED.
b) Appuyez sur "START/PAUSE" pour faire cuire votre aliment.

MENU POMME DE TERRE AU FOUR

1. Appuyez sur "BAKED POTATO" à plusieurs reprises jusqu'à ce que le numéro que vous souhaitez apparaît sur l'afficheur.
REGLAGE "1": environ 7,1 onces
REGLAGE "2": environ 14,2 onces
REGLAGE "3": environ 21,3 onces
Par exemple, appuyez sur « BAKED POTATO » une fois, "1" apparaît sur l'afficheur LED.
2. b) Appuyez sur "START/PAUSE" pour faire cuire votre aliment.

RECHAUFFAGE

1. Appuyez sur « REHEAT (RECHAUFFAGE) » jusqu'à ce que le numéro que vous souhaitez apparaisse sur l'afficheur. Par exemple, appuyez sur "REHEAT (RECHAUFFAGE)" une seule fois, "8,0" once apparaît sur l'afficheur LED.
Appuyez sur « REHEAT (RECHAUFFAGE) » deux fois, "16,0" once apparaît sur l'afficheur LED.
Appuyez sur « REHEAT (RECHAUFFAGE) » 3 fois, "24,0" once apparaît sur l'afficheur LED.
2. Appuyez sur "START/PAUSE" pour faire cuire votre aliment.

FONCTION HOOD

1. Lorsque le ventilateur d'échappement est éteint, appuyez sur "VENT FAN/HI/LOW/OFF (Ventilateur H/B/Éteint) » une fois pour faire tourner le ventilateur à haute vitesse;
2. Appuyez sur "VENT FAN/HI/LOW/OFF (Ventilateur H/B/Éteint) » deux fois pour faire tourner le ventilateur à une vitesse faible;
3. Appuyez sur "VENT FAN/HI/LOW/OFF (Ventilateur H/B/Éteint) » trois fois pour éteindre le ventilateur;

LAMPE DU FOUR

1. Appuyez sur « SURFACE LIGHT ON/OFF (Lumière de surface Allumer/éteint) » une fois pour allumer la lampe;
2. Appuyez sur « SURFACE LIGHT ON/OFF (Lumière de surface Allumer/éteint) » deux fois pour éteindre la lampe;

FONCTION MINUTERIE

1. Appuyez sur « TIMER (MINUTERIE) », l'indicateur de minuterie s'allumera;
2. Appuyez sur les touches numériques pour saisir le temps de la minuterie donc vous avez besoin.
Le temps de cuisson maximal est de 99 minutes 99 secondes.
3. Appuyez sur « TIMER », et la décompte commence. Lorsque le compte à rebours est terminé, le ronfleur retentit pour indiquer qu'elle est éteinte.
Remarque:
Lors de décompte, le capot et la lampe du four peuvent être allumés. Les autres fonctions ne pourraient pas être utilisées.

FONCTION VEROUILLAGE POUR ENFANTS

Verrouillage: Lorsqu'il n'est pas en fonctionnement, appuyer sur « STOP/CLEAR » pendant 3 secondes, il y aura deux bips indiquant l'activation du verrou enfants.
Désactivation du verrouillage: En état verrouillé, appuyez sur "STOP / CLEAR" pendant 3 secondes, il y aura deux bips indiquant que le verrouillage est désactivée.

FONCTION D'INTERROGATION

1. En état de cuisson à micro-ondes, appuyez sur « POWER (PUISSANCE) » pour vérifier le niveau de puissance.
2. Pendant les états de cuisson, appuyez sur « CLOCK (HORLOGE) » pour vérifier l'horloge.

CUISSON EXPRESS

- a. Appuyez sur les touches numériques 1 à 6 pour commencer la cuisson avec une puissance de micro-ondes maximale pendant 1 à 6 minutes.
b. Lorsque le four n'est pas en fonctionnement, appuyez sur "ADD 30 SEC." Pour lancer la cuisson à une puissance de 100% pendant 30 secondes.
c. Pendant la cuisson, 30 secondes peuvent être ajoutés à chaque moment où la touche "ADD 30 SEC" est appuyée. Le temps de cuisson maximal est de 99 minutes 99 secondes.

Entretien

Dépannage

Vérifiez votre problème en utilisant le tableau ci-dessous et essayez les solutions fournies pour chaque problème. Si le four à micro-ondes ne fonctionne toujours pas correctement, contactez le centre de service agréé le plus proche.

PROBLEME	CAUSE PROBABLE	SOLUTION
Four ne démarre plus	<ul style="list-style-type: none">a. Cordon d'alimentation du four n'est pas branché.b. La porte est ouverte.c. Mauvaise manipulation.	<ul style="list-style-type: none">a. Branchez le cordon dans la prise.b. Fermez la porte et essayez à nouveau.c. Vérifiez les instructions.
Le four produit des étincelles	<ul style="list-style-type: none">a. Matériaux non-adaptés au micro-onde ont été utilisés.b. Le four est en marche alors qu'il est vide.c. Aliment débordé reste dans la cavité du four.	<ul style="list-style-type: none">a. Utilisez des ustensiles adaptés au micro-onde seulement.b. Ne pas mettre le four en marche s'il est vide.c. Nettoyez la cavité avec une serviette humide.
Aliments partiellement cuits	<ul style="list-style-type: none">a. Matériaux non-adaptés au micro-onde ont été utilisés.b. Aliment n'est pas bien dégivré.c. Le temps de cuisson, niveau de puissance insuffisant.d. Alimentaire n'a pas été retourné ou remué.	<ul style="list-style-type: none">a. Utilisez des ustensiles adaptés au micro-onde seulement.b. Décongelez les aliments complètement.c. Utilisez un temps de cuisson et une puissance capable de faire cuire votre aliment.d. Retournez ou remuer les aliments.
Aliments trop cuits	Temps de cuisson, niveau de puissance incorrecte.	<ul style="list-style-type: none">c. Utilisez un temps de cuisson et une puissance capable de faire cuire votre aliment.
Aliments pas assez cuits	<ul style="list-style-type: none">a. Matériaux non-adaptés au micro-onde ont été utilisés.b. Aliment n'est pas bien dégivré.c. Orifices de ventilation du four sont couverts.d. Temps de cuisson, niveau de puissance incorrecte.	<ul style="list-style-type: none">a. Utilisez des ustensiles adaptés au micro-onde seulement.b. Décongelez les aliments complètement.c. Vérifiez que les ports de ventilation du four ne sont pas bloqués.d. Utilisez un temps de cuisson et une puissance capable de faire cuire votre aliment.
Dégivrage	<ul style="list-style-type: none">a. Matériaux non-adaptés au micro-onde ont été utilisés.b. Temps de cuisson, niveau de puissance incorrecte.c. Alimentaire n'a pas été retourné ou remué.	<ul style="list-style-type: none">a. Utilisez des ustensiles adaptés au micro-onde seulement.b. Utilisez un temps de cuisson et une puissance capable de faire cuire votre aliment.c. Retournez ou remuer les aliments.

