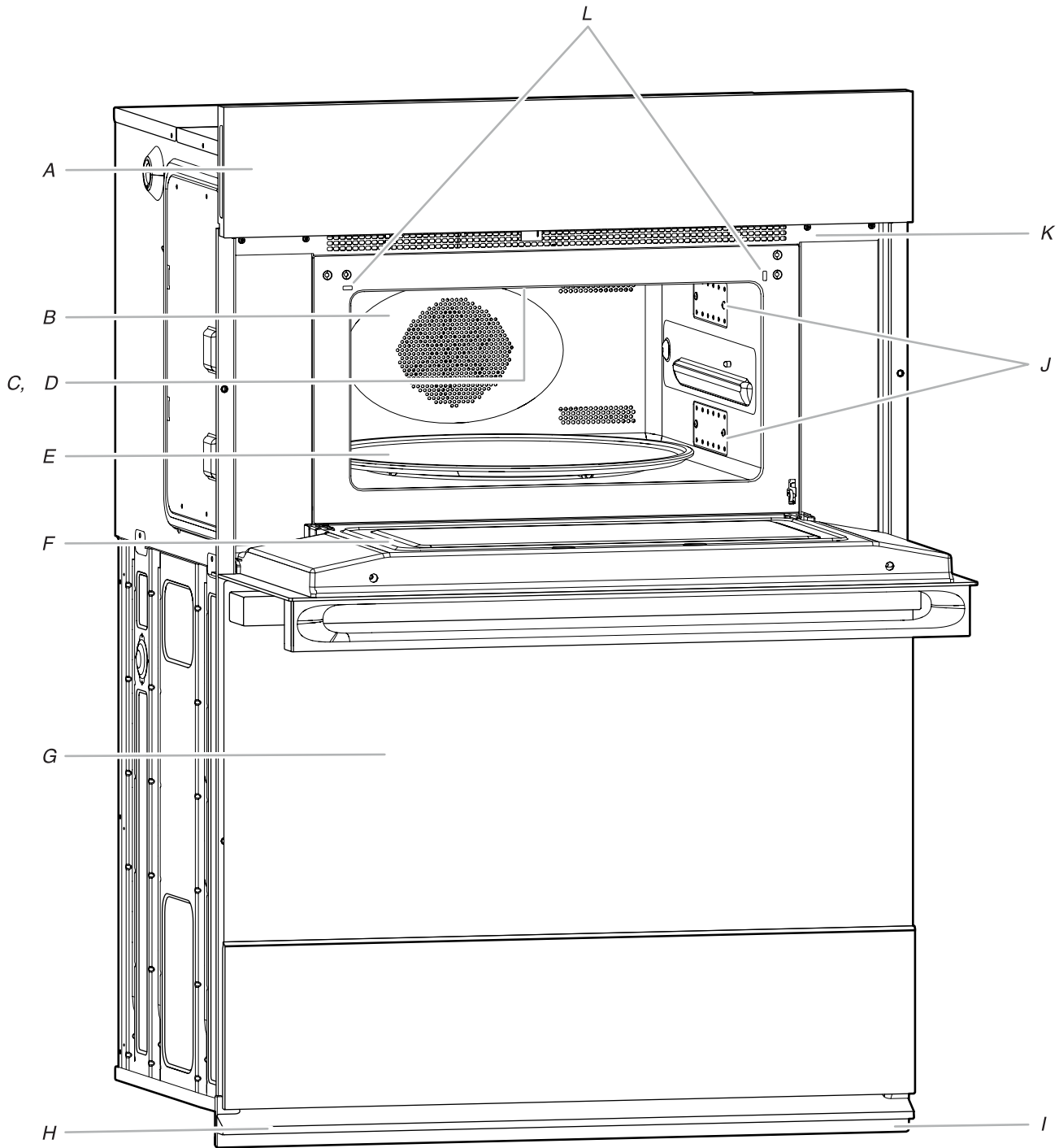


Microwave/Oven Combination Control Guide

Parts and Features

This manual covers several models. Your model may have some or all of the items listed. Refer to this manual or the Frequently Asked Questions (FAQs) section of our website at www.jennair.com for more detailed instructions. In Canada, refer to the Customer Service section at www.jennair.ca.

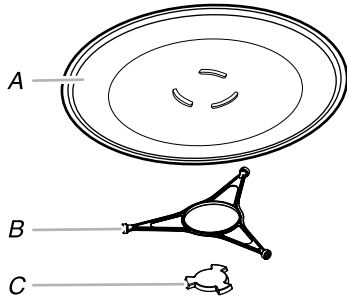


- A. Electronic oven control
- B. Convection element and fan (hidden behind back panel)
- C. Light
- D. Broil element
- E. Turntable
- F. Metal shielded window

- G. Lower oven (on combination models. See separate Control Guide.)
- H. Bottom vent
- I. Bottom Vent Shield (on some models)
- J. Dual microwave emission
- K. Model and serial number plate (on center vent under control panel.)
- NOTE:** On single microwave oven models, on the right side trim.)
- L. Door switch

Parts and Features not shown
Convection grid
Grilling grid
Crisper pan and handle

Turntable



- A. Turntable
- B. Support and rollers
- C. Hub

The turntable rotates in both directions to help cook food more evenly. Do not operate the microwave oven without having the turntable in place. Refer to the Quick Start Guide for ordering information.

The raised, curved lines in the center of the turntable bottom fit between the 3 spokes of the hub. The hub turns the turntable during microwave oven use. The rollers on the support should fit inside the turntable bottom ridge.

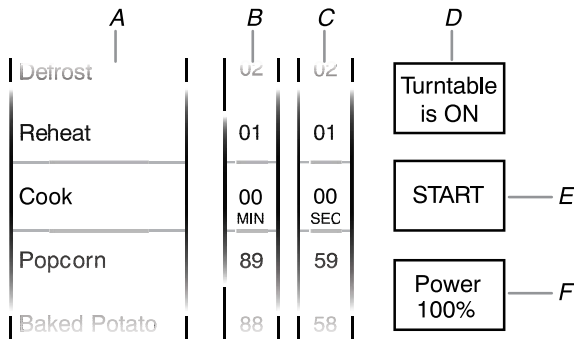
NOTE: The microwave-cooling fan may continue to run for several minutes after the cooking cycle has been completed. The microwave cooking does not continue beyond the end of cooking cycle.

To Turn On/Off:

For best microwave performance, it is recommended to always leave the turntable on. If necessary, the turntable can be turned Off (except during an auto function).

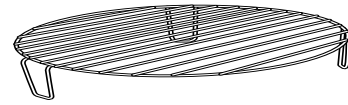
This is helpful when cooking with a dish that is larger than the turntable.

- From the Microwave Cooking Mode menu, touch **TURNTABLE** to turn the rotation On or Off.



- A. Cooking mode
- B. Time – minute selection
- C. Time – second selection
- D. Turntable On/Off menu
- E. Start cooking cycle
- F. Power level selection

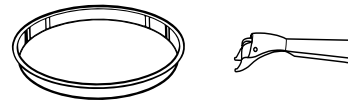
Convection Grid



The convection grid provides optimal heat circulation for convection cooking (on some models). It is recommended for convection cooking and for grilling thick pieces of meat such as bone-in chicken.

- The grid will become hot. Always use oven mitts or pot holders when handling.
- To avoid damage to the microwave oven, do not allow the grid to touch the inside cavity walls, ceiling, or floor.
- Always use the turntable.
- To avoid damage to the microwave oven, do not store the grid in the oven.
- Two-level cooking is not recommended.
- For best results, do not place popcorn bags on the grid.
- The grid is designed specifically for this oven. For best cooking results, do not attempt to use any other grid in this oven.

Coated Crisper Pan and Handle



The crisper pan, with its nonstick surface and detachable handle, has been specifically designed for microwave use and is ideal for pan-frying (pan-browning) foods in the microwave oven.

- The crisper pan will become hot. Always use the handle and oven mitts or pot holders when handling. Place gripping end on the edge of pan, squeeze handle, and lift pan.
- Do not allow the crisper pan or handle to touch the inside cavity walls, ceiling, or floor.
- Use the turntable as a support for the crisper pan.
- Do not place hot crisper pan on heat-sensitive surfaces. Damage may occur.
- To avoid damage to the microwave oven, do not use another metal object with the crisper pan.
- The crisper pan is designed specifically for this oven. Do not use it in any other oven.
- Use only wooden or plastic cooking utensils to help avoid scratches.

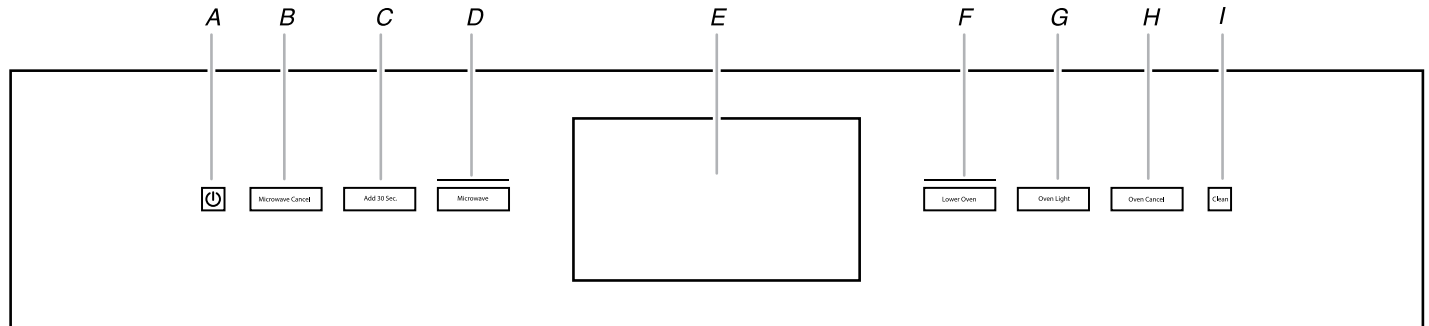
Microwave Oven Control

This manual covers several models. Your model may have some or all of the items listed. Refer to this manual or the Frequently Asked Questions (FAQs) section of our website at www.jennair.com for more detailed instructions. In Canada, refer to the Customer Service section at www.jennair.ca.

The microwave oven's controls are accessed through its control panel and interactive touch display.

NOTE: Due to the sensitivity of the control panel, we have provided special instructions for cleaning the panel as well as the touch panel. See "General Cleaning" section in the Owner's Manual for cleaning instructions.

Combination Oven Models



- A. Power
- B. Microwave cancel
- C. Add 30 Sec.

- D. Microwave
- E. Display
- F. Lower oven

- G. Oven light
- H. Oven cancel
- I. Clean

Touch Panel

The touch panel houses the control menu and function controls. The touch pads are very sensitive and require only a light touch to activate.

For more information about the individual controls, see their respective sections in this manual.

Welcome Guide

This appears on your display the first time the microwave is powered up. The Welcome Guide allows you to set up your new microwave oven.

After every selection, a tone will sound.

1. A new welcome screen will appear, please read it and touch NEXT.
2. Select your language.
3. Select the clock by scrolling to the correct time in the hours and minutes column. You can then select AM/PM or 24 hour clock (military time). Touch NEXT.
4. Choose to have daylight savings time AUTO SYNC (turn on), or DO NOT ADJUST (turn off). Touch NEXT.
5. Enter current date (MM/DD/YYYY) by scrolling to the column to set the MONTH, DAY, and YEAR. Touch NEXT.
6. Select the units of temperature. You can choose Fahrenheit or Celsius. Touch NEXT.
7. Select the Clock Theme by scrolling to the desired setting. Touch NEXT.

NOTE: This is the background for the center touch display.

8. If you selected CLOCK ONLY, touch SAVE to complete the setup.

or
If you selected a picture for the Clock Theme, select the desired image and touch SAVE.

Display

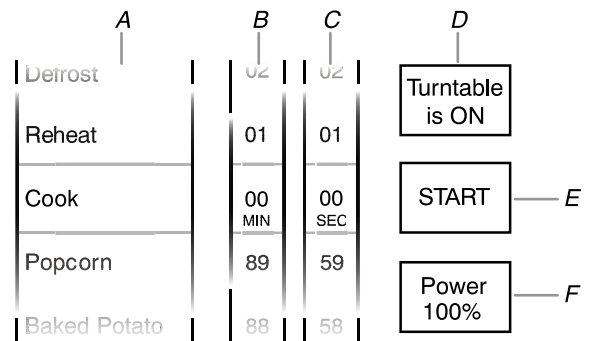
When the oven(s) is in use (active mode), the display shows the oven temperature, heat source(s) and timer if set.

After approximately 2 minutes of inactivity, the display will go into standby (sleep) mode, and the backlight of the display will dim. When the oven is in operation, the display will remain active.

During programming, the display shows menus and the appropriate selections for the respective cooking function.

Display Screen

1. The touch display screen is used to make menu selections, adjust settings and input commands.



- A. Cooking mode
- B. Time - minute selection
- C. Time - second selection
- D. Turntable on/off menu
- E. Start cooking cycle
- F. Power level selection

Menu selections and input adjustments are made in the center portion of the screen, and the command inputs (Back, More, Start, etc.) are made using the bottom buttons. Screen titles and descriptions are displayed in the top portion of the screen. A light to medium pressure touch of the fingertip will activate the menu selection.

Display Navigation

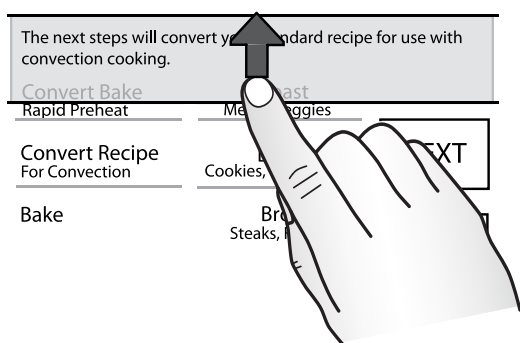
If the oven is off, touch the Power keypad to activate the menu. From the home screen, all automatic cooking programs can be activated, all manual cooking programs can be set, options can be adjusted, and instructions, preparation, and tips can be accessed.

Menu Demonstration

The following demonstrates a sequence showing how to bake a potato from the “Built-in Foods” menu.

1. Touch START or MICROWAVE (on combination oven models).
2. From the Cooking Mode Menu, scroll to select Baked Potato.
3. Use the tumbler to select one of the preset quantities (4 maximum).
4. (Optional) To adjust doneness, touch DONENESS, read the on-screen information, and then touch DONENESS again. Select More Done, suggested, or Less Done, and then Touch SET.
5. Touch START.

Drop-down Message Demonstration



There are some menus that prompt a drop-down message to appear. Once the message is read, you can dismiss the menu by touching the directional arrow and swiping up.

Kitchen Timer

The Kitchen Timer can be set in hours, minutes, and seconds.

NOTE: The Kitchen Timer does not start or stop the oven.

Tones/Sounds

Tones are audible signals, indicating the following:

- Valid keypad touch
- Function has been entered
- Preheat cycle has been completed
- Invalid keypad touch
- End of a cooking cycle
- When timer reaches zero
- Includes using the Kitchen Timer for functions other than cooking.
- First oven element activation in a cooking mode.

Tools

The Tools selection key allows you access to functions and customization options within the Electronic Oven Control. These tools allow you to set the clock, change the oven temperature between Fahrenheit and Celsius, turn the audible signals and prompts on and off, and adjust the oven calibration, change the language, and more. The Sabbath mode is also set using the Tools selection key.

MODE	AVAILABLE SELECTIONS
Sabbath	<ul style="list-style-type: none"> ■ Sets Sabbath mode
Demo Mode	<ul style="list-style-type: none"> ■ On ■ Off (Default)
Temp Units	<ul style="list-style-type: none"> ■ Celsius ■ Fahrenheit (Default)
Language	<ul style="list-style-type: none"> ■ Français ■ English (Default)
Display On/Off	<ul style="list-style-type: none"> ■ Display Off ■ Display Dimmed (Default)
Clock On/Off	<ul style="list-style-type: none"> ■ Clock Off ■ Clock On (Default)
Brightness	<ul style="list-style-type: none"> ■ Max ■ High ■ Med (Default) ■ Low ■ Dim
Sound	<ul style="list-style-type: none"> ■ Key Press ■ Timer & Alert (Default) ■ Power On & Off
Clock Theme	<ul style="list-style-type: none"> ■ Textures ■ Celebration ■ Culinary ■ Clock Only ■ Animation (Default) ■ Spring ■ Summer ■ Fall ■ Winter
Time & Date	<ul style="list-style-type: none"> ■ Daylight Saving ■ Clock Style ■ Set Clock (Default) ■ Set Date
Self Clean	<ul style="list-style-type: none"> ■ Starts the Self Clean Cycle
Button Lock	<ul style="list-style-type: none"> ■ Press Lock to lock controls
Number Entry	<ul style="list-style-type: none"> ■ Number Pad ■ Scroll (Default)
Probe	<ul style="list-style-type: none"> ■ Use for Probe Cooking Mode
Temp Calib.	<ul style="list-style-type: none"> ■ +35°F to -35°F ■ +20°C to -20°C
Touch Calib.	<ul style="list-style-type: none"> ■ Use to calibrate touch screen

MODE	AVAILABLE SELECTIONS
Service Info.	■ Model Number and Serial Number
Legal Info.	■ License Information
Restore Defaults	■ Restores Factory Defaults

Button Lock

The Button Lock shuts down the control panel keypads to avoid unintended use of the oven(s). The Button Lock will remain set after a power failure if it was set before the power failure occurs. When the control is locked, only the Power keypad will function.

The Button Lock is preset unlocked but can be locked.

To Activate the Button Lock:

1. From the Tools menu, touch BUTTON LOCK.
2. Touch LOCK to activate the Button Lock mode.
NOTE: The touch screen will return to idle mode and a control locked message will be displayed.

To Deactivate the Button Lock:

1. Touch the Power keypad, and then follow the on-screen directions.
NOTE: The oven will generate a random sequence of shapes that must be touched in the order prompted on the screen.

Oven Temperature Control

IMPORTANT: Do not use a thermometer to measure the oven temperature. Elements will cycle on and off as needed to maintain a consistent temperature but may run slightly hot or cool at any point in time due to this cycling. Opening the oven door will affect cycling of the elements and impact the temperature.

The oven provides accurate temperatures and has been thoroughly tested at the factory. However, it may cook faster or slower than your previous oven, causing baking or browning differences. If necessary, the temperature calibration can be adjusted in either Fahrenheit or Celsius.

On double ovens, the upper oven and the lower oven can each be calibrated independently.

A minus sign means the oven will be cooler by the displayed amount. The absence of a minus sign means the oven will be warmer by the displayed amount. Use the following chart as a guide.

NOTE: The oven display will continue to show the original set temperature and will not reflect the calibration offset. For example, if set to 350° (177°C) and calibrated to -20, the display will continue to show 350° (177°C).

ADJUSTMENT °F (AUTOMATIC °C CHANGE)	COOKS FOOD
10°F (6°C)	...a little more
20°F (12°C)	...moderately more
30°F (18°C)	...much more
0°F (0°C)	...default setting
-10°F (-6°C)	...a little less
-20°F (-12°C)	...moderately less
-30°F (-18°C)	...much less

Sabbath Mode

The Sabbath mode sets the oven(s) to remain on in a bake setting until turned off. A timed Sabbath Mode can also be set to keep the oven on for only part of the Sabbath.

When the Sabbath mode is set, the allowed keypads are the Power keypad and the Cancel keypads.

When the oven door is opened or closed, the oven light will not turn on or off, and the heating elements will not turn on or off immediately.

If a power failure less than 1 second occurs when the Sabbath mode is set, the oven(s) will remain in Sabbath mode and continue cooking.

For a power failure that lasts greater than a few seconds, the oven(s) will return to an idle state and Sabbath mode will no longer be active. For double ovens, the upper and lower oven temperatures and cook timers can be set independently. If a cook timer is set, the countdown will not appear. The timer will appear frozen at the set time.

To Activate:

1. Touch the Power keypad, and then touch TOOLS.
2. From the Mode menu, select "Sabbath" and touch NEXT.
3. Touch ON, and then touch SETUP.
NOTE: The programmed status of the oven(s) will be displayed.
4. Touch CHANGE.
5. For single ovens, go to Step 6. For double ovens, select the desired oven, and then touch NEXT.
6. Select the desired oven temperature and touch NEXT.
7. (Optional) Set Bake Time (00:00) and touch SET.
or
Touch SKIP TIMER.
8. For single ovens, touch START. For double ovens, touch START to begin Sabbath mode, or touch CHANGE to edit the current programming or to program the other oven.

To Deactivate:

Sabbath mode can be deactivated on all cavities, once activated, by touching the Power keypad.

For single ovens, Sabbath mode can also be deactivated by touching Cancel.

For double ovens, if both ovens are running, touching Cancel for one oven will turn off Sabbath mode for both ovens and will turn off the selected oven. The other oven will return to a regular Bake mode.

Delayed Sabbath Bake:

⚠ WARNING

Food Poisoning Hazard

Do not let food sit for more than one hour before or after cooking.

Doing so can result in food poisoning or sickness.

For double ovens, the upper and lower oven temperatures and cook timers can be set independently.

If a cook timer is set, the countdown will not appear. The timer will appear frozen at the set time.

To Activate:

1. Touch the Power keypad, and then touch TOOLS.
2. From the Mode menu, select "Sabbath" and touch NEXT.

3. Touch ON, and then touch SETUP.
NOTE: The programmed status of the oven(s) will be displayed.
4. Touch CHANGE.
5. For single ovens, go to Step 6. For double ovens, select the desired oven, and then touch NEXT.
6. Select the desired oven temperature and touch NEXT.
7. (Optional) Set Bake Time (00:00) and touch SET.
or
Touch SKIP TIMER.
8. Touch DELAY and set both the “Cooking Starts at” time.
NOTE: If a bake time is set in the previous steps, the “Cooking ends at” will be calculated based on the bake time. If the timer is not set, the Sabbath Mode will continue until canceled.
9. Touch SET.
10. Review the settings and touch START to begin the baking cycle.
NOTE: Once the timer ends; opening and closing the oven door will deactivate the Sabbath mode.

Change Temperature

The oven temperatures can be changed while running Sabbath Mode by touching the -25° F (-5° C) or +25° F (+5° C). Touching these buttons will not result in any changes to the screen and no sound will play.

As an example, touching the +25° F (+5° C) button 3 times will result in an oven cavity temperature increase of +75° F (+15° C); however, the initial oven cavity set temperature will remain on the screen.

NOTE: On double oven models, the oven cavity temperature may be set individually.

Main Menu

From the Main Menu, all automatic cooking programs can be activated; all manual cooking can be programmed; settings can be adjusted; and instructions, preparation, and tips can be accessed.

This manual covers different models. The oven you have purchased may have some or all of the items listed. The locations and appearances of the features shown here may not match those of your model.

Tools Menu

Your microwave provides you with the ability to control several of the default settings and access information through the on-screen display. These include: Clock, Sound, Appearance, Language, Temperature Units, Service, and Restore Defaults.

This manual covers different models. The oven you have purchased may have some or all of the items listed. The locations and appearances of the features shown here may not match those of your model.

To Access Tools Menu:

1. Touch TOOLS.
2. From the Tools Menu, scroll to the desired Tools choice.
3. Touch the quickset pad that corresponds to the desired choice.

MODE	AVAILABLE SELECTIONS
Sabbath	■ Sets Sabbath Mode
Demo Mode	■ On ■ Off (Default)
Temp Units	■ Celsius ■ Fahrenheit (Default)

MODE	AVAILABLE SELECTIONS
Language	■ Français ■ English (Default)
Display On/Off	■ Display Off ■ Display Dimmed (Default)
Clock On/Off	■ Clock Off ■ Clock On (Default)
Brightness	■ Max ■ High ■ Med (Default) ■ Low ■ Dim
Sound	■ Key Press ■ Timer & Alert (Default) ■ Power On & Off
Clock Theme	■ Textures ■ Celebration ■ Culinary ■ Clock Only ■ Animation (Default) ■ Spring ■ Summer ■ Fall ■ Winter
Time & Date	■ Daylight Saving ■ Clock Style ■ Set Clock (Default) ■ Set Date
Button Lock	■ Press Lock to lock controls
Number Entry	■ Number Pad ■ Scroll (Default)
Touch Calib.	■ Use to calibrate touch screen
Service Info.	■ Model Number and Serial Number
Legal Info.	■ License Information
Restore Defaults	■ Restores Factory Defaults

Service Information

1. From the Tools Menu, scroll until Service Info appears.
2. Touch TIPS.
3. The service phone number, website, model number, and serial number are displayed on the screen.
4. Refer to the Quick Start Guide for contact information.

Restore Factory Settings

1. From the Tools Menu, scroll until Restore Factory Defaults appears.
2. Touch TIPS, read the drop-down message, and then swipe the message arrow up.
3. Touch RESET to Restore Factory Defaults.
4. The following settings will be lost: Language, Temperature Units, Clock Settings, Date and Screen Appearance. The Welcome Guide will appear to help you reset these settings. See the “Welcome Guide” section for additional information.

Kitchen Timer

This is an independent timer not associated with the cook timers.

NOTE: The Kitchen Timer appears as a drop-down display. To dismiss the timer message, swipe the message arrow up. The timer will continue to count down even though it is not visible.

1. Touch **TIMER** (**KITCHEN TIMER** for dedicated microwave ovens) anytime needed.
2. Enter the desired time (00:00:00) using the tumbler.
3. Touch **Back** next to **Cancel Timer** or touch **START**.
4. To adjust **TIMER / KITCHEN TIMER**, touch the countdown timer, use the tumbler to set the new desired hour, minute, and seconds, and then touch **SET**.
or
5. To cancel timer, touch the countdown timer, and then touch **OFF**. This will cancel the **TIMER / KITCHEN TIMER** and return you to the **Cooking mode** menu.
6. When the Kitchen Timer is complete, a tone will sound, and then reminder tones will sound every minute.

Button Lock

The Button Lock allows all the buttons to be locked. To Activate the Button Lock:

1. From the **Tools** menu, touch **BUTTON LOCK**.
2. Touch **BUTTON LOCK** to activate the Button Lock mode.
NOTE: The touch screen will return to idle mode, and a control locked message will be displayed.

To Deactivate the Button Lock:

1. Touch the **Power pad**, and then follow the on-screen directions.
NOTE: The oven will generate a random sequence of shapes that must be touched in the order prompted on the screen.
2. The controller will unlock and return to the cooking modes menu once the shapes are touched in the needed sequence.
NOTE: The Button Lock tool must set every time you wish to use this feature.

Wi-Fi Connectivity (On some models)

Your oven may have built-in Wi-Fi connectivity, but for it to work, you will have to connect it to your home wireless network. For information about setting up the connectivity, turning it on and off, receiving important notifications and taking advantage of available features, refer to the **Oven Wi-Fi Connected Quick Start Guide** that came with your oven.

Once the setup process has been completed for the Wi-Fi, you will have access to features that will give you new freedom in cooking. Your available features may vary depending on firmware updates.

NOTE: Wi-Fi connectivity may be interrupted or lost during a microwave cooking function. The Wi-Fi will reconnect once the microwave cooking function has ended.

Oven Use

Odors and smoke are normal when the oven is used the first few times or when it is heavily soiled.

During oven use, the heating elements will not remain on but will cycle on and off throughout oven operation.

IMPORTANT: The health of some birds is extremely sensitive to the fumes given off. Exposure to the fumes may result in death to certain birds. Always move birds to another closed and well-ventilated room.

If the oven door is opened during a cooking mode and left open for approximately 60 seconds, the cooling fan will switch to a higher speed. You may experience higher noise during this time. When the oven door is closed, the fan will switch back to its lower speed after approximately 60 seconds.

Aluminum Foil

IMPORTANT: To avoid permanent damage to the oven bottom finish, do not line the oven bottom with any type of foil or liner.

- For best cooking results, do not cover entire rack with foil because air must be able to move freely.
- To catch spills, place foil on rack below dish. Make sure foil is at least 1/2" (1.3 cm) larger than the dish and that it is turned up at the edges.

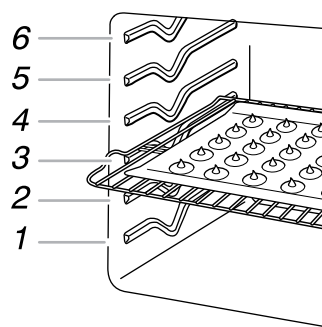
Position Racks and Bakeware

IMPORTANT: To avoid permanent damage to the porcelain finish, do not place food or bakeware directly on the oven door or bottom.

Racks

- Position racks before turning on the oven.
- Do not position racks with bakeware on them.
- Make sure racks are level.

To move a rack, pull it out to the stop position, raise the front edge, and lift out. Use the following illustration and charts as guides.



Rack and Bakeware Positions

Rack Positions – Upper and Lower Oven Broiling

FOOD	RACK POSITION
Most broiling	6

For hamburger patties to have a well-seared exterior and a rare interior, use a flat rack in position 6. Side 1 should cook for approximately 3 minutes. Side 2 should cook for approximately 3 to 4 minutes. Expect a moderate degree of smoke when broiling.

Traditional Cooking

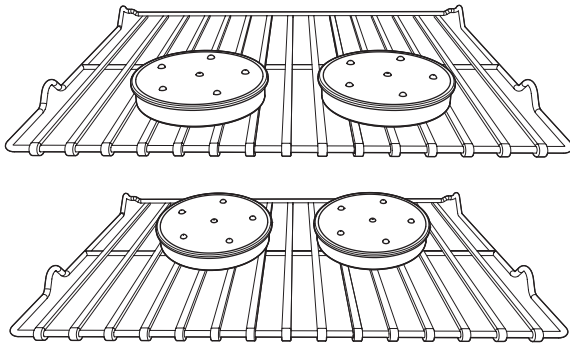
FOOD	RACK POSITION
Large roasts, turkeys, angel food cakes, bundt cakes, quick breads, pies	1 or 2
Yeast breads, casseroles, meat, poultry	2
Cookies, biscuits, muffins, cakes	2 or 3 when single-rack baking; 2 and 5 when multi-rack baking

Convection Cooking

OVEN SETTING	NUMBER OF RACKS USED	RACK POSITION (S)
Rapid Preheat Bake	1	3
Rapid Preheat Convection Bake	1	3
Convection Bake	1	1, 2 or 3
Convection Bake	2	2 and 5
Convection Bake	3	1, 3 and 5
Convection Roast	1	1 and 2
Convection Broil	1	4, 5 and 6

Baking Cakes on 2 Racks

For best results when baking cakes on 2 racks, use the Bake function and racks in positions 2 and 5. Place the cakes on the racks as shown. Keep at least 2" (5 cm) of space between the front of the racks and the front of the cakes.



Baking Cookies on 2 Racks

For best results when baking cookies on 2 racks, use the Convection Bake function and place racks in positions 2 and 5.

Bakeware

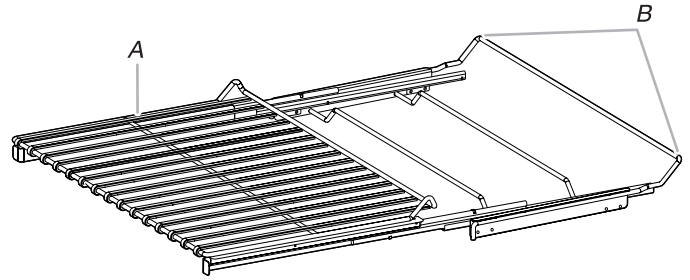
To cook food evenly, hot air must be able to circulate. For best results, allow 2" (5 cm) of space around bakeware and oven walls. Use the following chart as a guide.

NUMBER OF PAN(S)	POSITION ON RACK
1	Center of rack
2	Side by side or slightly staggered
3 or 4	See the rack position graphics in this section for pan placement recommendations.

Roll-Out Extension Rack

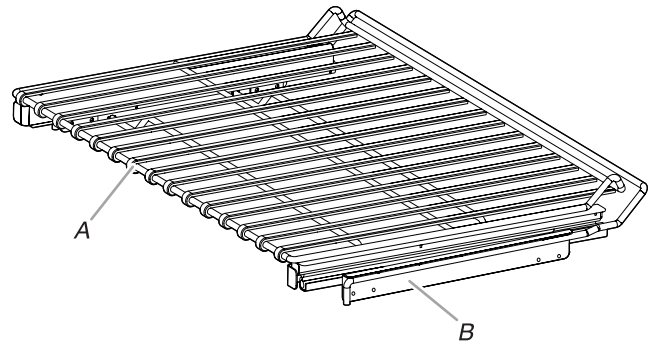
The roll-out extension rack allows easy access to position food in the oven, and remove food from the oven. It can be used in rack positions 1 through 6.

Open Position



A. Roll-out extension rack
B. Sliding shelf

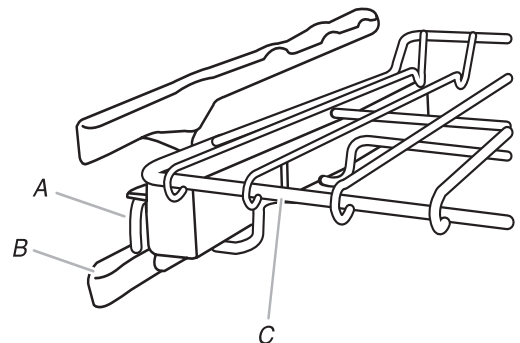
Closed and Engaged Position



A. Roll-out extension rack
B. Sliding shelf

To Remove Roll-Out Extension Rack:

1. Slide the rack in completely so that it is closed and engaged with the sliding shelf.
2. Using 2 hands, lift up on the front edge of the rack and push the sliding shelf to the back wall of the oven so that the front edge of the sliding shelf sits on the rack guides. The front edge of the rack and the sliding shelf should be higher than the back edge.



A. Sliding shelf
B. Rack guide
C. Roll-out extension rack

- Pull the rack and the sliding shelf out.

To Replace Roll-Out Extension Rack:

- Using 2 hands, grasp the front of the closed rack and the sliding shelf. Place the closed rack and the sliding shelf on the rack guide.
- Using 2 hands, lift up on the front edge of the rack and the sliding shelf together.
- Slowly push the rack and the sliding shelf to the back of the oven until the back edge of the rack pulls over the end of the rack guide.

To avoid damage to the sliding shelves, do not place more than 25 lbs (11.4 kg) on the rack.

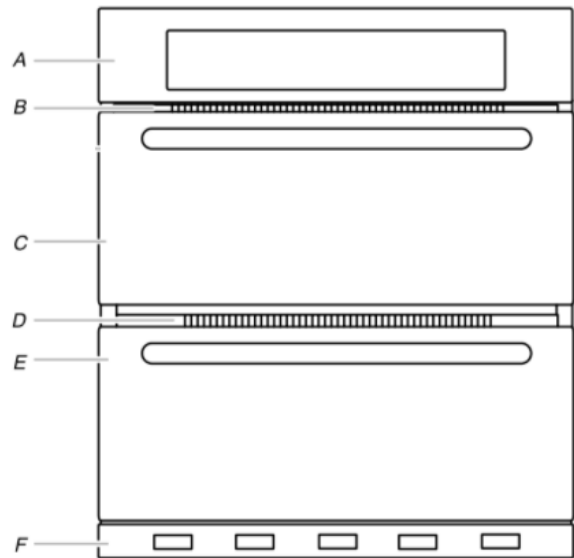
Do not clean the roll-out extension rack in a dishwasher. It may remove the rack's lubricant and affect its ability to slide. See the "General Cleaning" section from Owner's Manual for more information.

Bakeware

The bakeware material affects cooking results. Follow manufacturer's recommendations and use the bakeware size recommended in the recipe. Use the following chart as a guide.

BAKEWARE/RESULTS	RECOMMENDATIONS
Light-colored aluminum <ul style="list-style-type: none"> Light golden crusts Even browning 	<ul style="list-style-type: none"> Use temperature and time recommended in recipe.
Dark aluminum and other bakeware with dark, dull and/or nonstick finish <ul style="list-style-type: none"> Brown, crisp crusts 	<ul style="list-style-type: none"> May need to reduce baking temperatures slightly. Use suggested baking time. For pies, breads, and casseroles, use temperature recommended in recipe. Place rack in center of oven.
Insulated cookie sheets or baking pans <ul style="list-style-type: none"> Little or no bottom browning 	<ul style="list-style-type: none"> Follow rack recommendations in the "Position Racks and Bakeware" section. May need to increase baking time.
Stainless steel <ul style="list-style-type: none"> Light, golden crusts Uneven browning 	<ul style="list-style-type: none"> May need to increase baking time.
Stoneware/Baking stone <ul style="list-style-type: none"> Crisp crusts 	<ul style="list-style-type: none"> Follow manufacturer's instructions.
Ovenproof glassware or ceramic <ul style="list-style-type: none"> Brown, crisp crusts 	<ul style="list-style-type: none"> May need to reduce baking temperatures slightly.

Oven Vents



- A. Control panel
 B. Oven vent
 C. Upper oven
 D. Oven vent
 E. Lower oven
 F. Bottom vent

The oven vents should not be blocked or covered since they allow the inlet of fresh air into the cooling system and allows the venting of heated air. Blocking or covering vents will cause poor air circulation, affecting cooking, cleaning, and cooling results.

Preheating and Oven Temperature

Preheating

When beginning a Bake or Convect Bake cycle, the oven begins preheating after Start is pressed. The oven will take approximately 12 to 18 minutes to reach 350°F (177°C) with all of the oven racks provided with your oven inside the oven cavity. Higher temperatures will take longer to preheat. The preheat cycle rapidly increases the oven temperature. The actual oven temperature will go above your set temperature to offset the heat lost when your oven door is opened to insert food. This ensures that when you place your food in the oven, the oven will begin at the proper temperature. Insert your food when the preheat tone sounds. Do not open the door during preheat until the tone sounds.

NOTE: If the cook timer is set and the oven door is opened during preheating, the timer will automatically start.

Oven Temperature

While in use, the oven elements will cycle on and off as needed to maintain a consistent temperature. They may run slightly hot or cool at any point in time due to this cycling. Opening the oven door while in use will release the hot air and cool the oven which could impact the cooking time and performance. It is recommended to use the oven light to monitor cooking progress.

Baking and Roasting

IMPORTANT: The convection fan and convection element may operate during the Bake function to enhance performance and heat distribution.

The oven will take approximately 12 to 18 minutes to reach 350°F (177°C) with all oven racks inside the oven cavity. The preheat cycle rapidly increases the temperature inside the oven cavity. Higher temperatures will take longer to preheat. Factors that impact preheat times include room temperature, oven temperature, and the number of racks. Unused oven racks can be removed prior to preheating your oven to help reduce preheat time. The actual oven temperature will go above the set temperature to offset the heat lost when the oven door is opened to insert food. This ensures that the oven will begin at the proper temperature when you place food in the oven. Insert food when the preheat tone sounds. Do not open the door during preheat until the tone sounds.

During baking or roasting, the bake and broil elements will cycle on and off in intervals to maintain the oven temperature.

Depending on the model, if the oven door is opened during baking or roasting, the heating elements (bake and broil) will turn off approximately 30 seconds after the door is opened. They will turn on again approximately 30 seconds after the door is closed.

Broiling

Broiling uses direct radiant heat to cook food.

The element cycles on and off in intervals to maintain the oven temperature.

NOTE: No preheating is required for the Broiling function.

IMPORTANT: Close the door to ensure proper broiling temperature.

If the oven door is opened during broiling, the broil element will turn off in approximately 30 seconds. When the oven door is closed, the element will come back on approximately 30 seconds later.

- For best results, use a broiler pan and grid. It is designed to drain juices and help avoid spatter and smoke.
- For proper draining, do not cover the grid with foil. The bottom of the broiler pan may be lined with aluminum foil for easier cleaning.
- Trim excess fat to reduce spattering. Slit the remaining fat on the edges to avoid curling.
- Pull out oven rack to stop position before turning or removing food. Use tongs to turn food to avoid the loss of juices. Very thin cuts of fish, poultry or meat may not need to be turned.
- After broiling, remove the pan from the oven when removing the food. Drippings will bake on the pan if left in the heated oven, making cleaning more difficult.

Convection

In a convection oven, the fan-circulated hot air distributes heat more evenly. This movement of hot air helps maintain a consistent temperature throughout the oven, cooking foods more evenly, while sealing in moisture.

Most foods, using convect baking mode, can be cooked by lowering cooking temperatures 25°F (14°C). The cooking time can be shortened significantly when using Convect Roast, especially for large turkeys and roasts.

- It is important not to cover foods with lids or aluminum foil so that surface areas remain exposed to the circulating air, allowing browning and crisping.
- Keep heat loss to a minimum by opening the oven door only when necessary. It is recommended to use the oven light to monitor progress.

- Choose cookie sheets without sides and roasting pans with lower sides to allow air to move freely around the food.
- Test baked goods for doneness a few minutes before the minimum cooking time using a method such as a toothpick.
- Use a meat thermometer or the temperature probe to determine the doneness of meats and poultry. Check the temperature of pork and poultry in 2 or 3 places.

Convect Bake

Convection Bake uses convection element and fan.

- Use the convection grid. Place on turntable.
- Use oven mitts as the door and grids will become hot.

To Use Convect Bake:

1. Touch POWER or MICROWAVE (on combination oven models).
2. From the Cooking mode menu, select Convect Bake.
3. Using the tumbler, select the microwave oven temperature, and then touch START.
4. (Optional) When a Microwave Timer is set, the WHEN DONE option will appear. This option allows you to select the microwave oven behavior at the end of the current cooking cycle. You can select between Keep Warm, Hold Temp, and MW Off. Keep Warm will run the microwave oven at 10% power for 60 minutes, Hold Temp maintains the selected cooking cycle after the timer expires, and MW Off deactivates the microwave cooking cycle when the timer expires.
NOTE: The default temperature is 325°F (163°C). If enabled, end-of-cycle tones will sound.
5. (Optional) After the cooking cycle ends, touch ADD 30 SEC. This will automatically add 30 seconds to the cook time.
6. Touch MICROWAVE CANCEL to turn off the oven.

Convect Roast

The Roast function uses the convection element with or without microwave power. The Roast function requires that a time and temperature (and microwaves if desired) be entered. The highest microwave power level that can be used is 30%.

- Use the convection grid. Place on turntable.
- Use oven mitts as the door and grids will become hot.

To Use Convect Roast:

1. Touch POWER or MICROWAVE (on combination oven models).
2. From the Cooking mode menu, select Convect Roast.
3. Using the tumbler, select the oven temperature.
NOTE: The default temperature is 325°F (163°C), and the default microwave power level is 0%.
4. Touch START.
or
5. To adjust the power level, touch POWER, select a new power level, touch SET (the set range is between 0% and 30%), and then touch START.
6. To enter a cook time, touch MW TIMER after the cooking cycle has started, use the tumbler to select a cook time (00:00:00), and then touch START. The maximum length is 11:59:00.
If enabled, end-of-cycle tones will sound.
7. When a Microwave Timer is set, the WHEN DONE option will appear. This option allows you to select the microwave oven behavior at the end of the current cooking cycle. You can select between Keep Warm, Hold Temp, and MW Off. Keep Warm will run the microwave oven at 10% power for 60 minutes, Hold Temp maintains the selected cooking cycle after the timer expires, and MW Off deactivates the microwave cooking cycle when the timer expires.
When the stop time is reached, the oven will Hold Temp by default or behave as set in the When Done menu.

- (Optional) After the cooking cycle ends, touch ADD 30 SEC. This will automatically add 30 seconds to the cook time.
- Touch MICROWAVE CANCEL to turn off the oven.

NOTE: The microwave-cooling fan may continue to run for several minutes after the cooking cycle has been completed. The microwave cooking does not continue beyond the end of cooking cycle.

Convection Broil

During convection broiling, the broil element will cycle on and off in intervals to maintain oven temperature, while the fan circulates the hot air.

The temperature is preset at 550°F (288°C), but can be changed to a different temperature. Cooking times will vary depending on the rack position and temperature, and may need to be adjusted.

If the oven door is opened during convection broiling, the fan turns off immediately and turns on as soon as the door is closed. Broil elements will turn off approximately 30 seconds after the door is opened. They will turn on again approximately 30 seconds after the door is closed.

NOTE: It is normal for the convection fan to run during non-convection cycles as well as during preheat.

To Convection Broil:

For ideal performance allow the oven to preheat for 5 minutes (no preheat tone will sound). Position food on the unheated grid on the broiler pan, and then place it in the center of the oven rack with the longest side parallel to the door.

Broil & Grill

The Grill function uses the broil element and microwaves to grill your food.

- Microwave oven cavity and door will become very hot during the Grill cycle. Use oven mitts.
- The grilling grid and convection grid will become very hot. Use oven mitts to grasp and remove the grid from the microwave oven.
- For large pieces like chicken, use the crisper pan beneath the convection grid or grilling grid to catch drippings.
- For best results, apply light amount of cooking oil to grilling grid or convection grid.
- When the broil element is in use, the cooling fan turns on and stays on for up to 10 minutes after the cycle is over.

Use the following chart as a guide.

Grill Chart

FOOD	QUANTITY
Manual*	
Chicken pieces - bone-in	1-2 pieces

*Manual Grill requires that a cook time be entered.

To Use Programmed Broil & Grill:

NOTE: For combination units, touch the MICROWAVE to access the microwave menu.

- From the Mode menu, select Broil & Grill.
- Select Chicken Pieces and then touch NEXT.
- Scroll to select the serving size and then touch NEXT.
- (Optional) To adjust the doneness, touch DONENESS, read the on-screen information, and then touch Doneness. Select More Done, Suggested, or Less Done, and then touch SET.
- Read the on-screen recommendations and then touch START.
- Touch Microwave Cancel to turn off the oven.
- (Optional) After the cooking cycle ends, touch the ADD 30 SEC button. This will automatically add 30 seconds to the cook time.

To Use Manual Broil & Grill:

- From the Mode menu, select Broil & Grill.
 - Select Manual and then touch NEXT.
NOTE: The default power level is 0%.
 - Enter a Cook Time (–:–). The maximum length is 89:59.
 - (Optional) To adjust the power level, touch Power 0% and scroll to select a range between 0-40%, then touch SET.
 - Touch START.
 - (Optional) After the cooking cycle ends, touch the ADD 30 SEC button. This will automatically add 30 seconds to the cook time.
 - Touch Microwave Cancel to turn off the oven.
- NOTE:** The microwave-cooling fan may continue to run for several minutes after the cooking cycle has been completed. The microwave cooking does not continue beyond the end of cooking cycle.

Proofing Bread

Proofing bread prepares dough for baking by activating the yeast. Proofing twice is recommended unless the recipe directs otherwise.

To Proof:

For best performance, ensure your oven cavity temperature is below 120°F (49°C) before placing dough in oven cavity. Before first proofing, place dough in a lightly greased bowl and cover loosely with plastic wrap coated with shortening or cooking spray. Place on a rack in rack position 2. See “Positioning Racks and Bakeware” for diagram. Close door.

- Touch PROOF. Display will show 100°F (38°C).
- Touch START.

Let dough rise until nearly doubled in size. Check at 20 to 25 minutes. Proofing time may vary depending on dough type and quantity.

- Touch CANCEL for the selected oven when finished proofing.

Before second proofing, shape dough, place in baking pan(s) and cover loosely. Follow the same placement and control steps above. Before baking, remove waxed paper or plastic wrap.

Temperature Probe

The temperature probe accurately measures the internal temperature of meat, poultry and casseroles with liquid and should be used in determining the doneness of meat and poultry. The temperature probe should only be used with Bake, Convection Bake, or Convection Roast.

Always unplug and remove the temperature probe from the oven when removing food.

To Use:

Before using, insert the probe into the food item. For meats, the probe tip should be located in the center of the thickest part of the meat and not into the fat or touching a bone. Place food in oven and connect the temperature probe to the jack. Keep probe as far away from heat source as possible. Close oven door.

NOTE: The temperature probe must be inserted into the food item before the mode is selected.

- Touch the Power keypad or select “Probe Cook” from the Cooking Mode menu.
- Scroll to the desired cooking mode.
- Scroll to the desired oven temperature.
- Scroll to the desired food temperature.

5. Touch START.
or
Touch DELAY to delay the baking cycle. Refer to the “Timed Cooking” section for setting delayed start and stop times.

Timed Cooking

⚠WARNING

Food Poisoning Hazard

Do not let food sit for more than one hour before or after cooking.

Doing so can result in food poisoning or sickness.

Cook Time and Delay Start allow the oven(s) to be set to turn on at a certain time of day, cook for a set length of time, and/or shut off automatically. Delay Start should not be used for food such as breads and cakes because they may not bake properly.

To Set an Oven Time:

The Oven Timer will turn the selected oven off when the set time has expired. The maximum length is 11:59:00.

1. Touch the desired cooking mode and scroll to the desired oven temperature, then touch START.
2. Touch OVEN TIMER next to the displayed cooking mode and temperature.
3. Scroll to the desired length of time for the Oven Timer.
4. Touch START.
or
Touch WHEN DONE to select the behavior of the oven after the Oven Timer has completed. Choose between HOLD TEMP (default), KEEP WARM, and OVEN OFF. Touch SET. When the OVEN TIMER has completed, the When Done behavior will begin and a message of “TIMER ENDED AT XX:XX” (the time of day) is displayed.
If enabled, end-of-cycle tones will sound and then tones will sound every minute.
5. Touch CANCEL for the selected oven, or open and close the oven door, to clear the display and/or stop reminder tones.

To Set a Delay Start Time and Stop Time:

Before setting, make sure the clock is set to the correct time of day. For double ovens, be sure to select the desired oven before proceeding.

1. Touch the desired cooking mode and scroll to the desired oven temperature.
NOTE: Delay Start may be used with the Bread Proof function, but the temperature is not adjustable.
2. Touch DELAY.
3. Scroll to the desired “Cooking start at” time.
NOTE: The start and end times are rounded to the nearest quarter hour (00:00, 00:15, 00:30 or 00:45)
4. Scroll to the desired “Cooking ends at” time.

5. Touch SET.
or
Touch START NOW to immediately begin the cooking timer. The difference between the “Cooking start at” time and the “Cooking ends at” time is used as the cooking timer. When the start time is reached, the oven will automatically turn on. The minute time countdown will appear on the oven display.
When the Oven Timer has completed, the When Done behavior will begin and a message of “TIMER ENDED AT XX:XX” (the time of day) is displayed.
If enabled, end-of-cycle tones will sound, and then reminder tones will sound every minute.
6. Touch CANCEL for the selected oven to cancel the current cycle and return to the main menu.
If the oven door is opened and closed after the cycle ends, the display will be cleared and the reminded tones will stop, but the oven will continue to operate in the end of cycle behavior selected (Keep Warm is the default behavior).

Combo Microwave Use

A magnetron in the oven produces microwaves that reflect off the metal floor, walls, and ceiling and pass through the turntable and appropriate cookware to the food. Microwaves are attracted to and absorbed by fat, sugar, and water molecules in the food, causing them to move, producing friction and heat which cooks the food.

- To avoid damage to the microwave oven, do not lean on or allow children to swing on the microwave oven door.
- To avoid damage to the microwave oven, do not operate microwave oven when it is empty.
- The turntable must be in place and correct side up when microwave oven is in use. Do not use if turntable is chipped or broken. Refer to the Quick Start Guide for ordering information.
- Baby bottles and baby food jars should not be heated in microwave oven.
- Clothes, flowers, fruit, herbs, wood, gourds, paper, including brown paper bags and newspaper, should not be dried in microwave oven.
- Paraffin wax will not melt in the microwave oven because it does not absorb microwaves.
- Use oven mitts or pot holders when removing containers from microwave oven.
- Do not overcook potatoes. At the end of the recommended cook time, potatoes should be slightly firm. Let potatoes stand for 5 minutes. They will finish cooking while standing.
- Do not cook or reheat whole eggs inside the shell. Steam buildup in whole eggs may cause them to burst. Cover poached eggs and allow a standing time.

Food Characteristics

When microwave cooking, the amount, size and shape, starting temperature, composition, and density of the food affect cooking results.

Amount of Food

The more food heated at once, the longer the cook time needed. Check for doneness and add small increments of time if necessary.

Size and Shape

Smaller pieces of food will cook more quickly than larger pieces, and uniformly shaped foods cook more evenly than irregularly shaped food.

Starting Temperature

Room temperature foods will heat faster than refrigerated foods, and refrigerated foods will heat faster than frozen foods.

Composition and Density

Foods high in fat and sugar will reach a higher temperature, and will heat faster than other foods. Heavy, dense foods, such as meat and potatoes, require a longer cook time than the same size of a light, porous food, such as cake.

Cooking Guidelines

Covering

Covering food helps retain moisture, shorten cook time, and reduce spattering. Use the lid supplied with cookware. If a lid is not available, wax paper, paper towels or plastic wrap approved for microwave ovens may be used. Plastic wrap should be turned back at one corner to provide an opening to vent steam. Condensation on the door and cavity surfaces is normal during heavy cooking.

Stirring and Turning

Stirring and turning redistribute heat evenly to avoid overcooking the outer edges of food. Stir from outside to center. If possible, turn food over from bottom to top.

Arranging

If heating irregularly shaped or different sized foods, arrange the thinner parts and smaller sized items toward the center. If cooking several items of the same size and shape, place them in a ring pattern, leaving the center of the ring empty.

Piercing

Before heating, use a fork or small knife to pierce or prick foods that have a skin or membrane, such as potatoes, egg yolks, chicken livers, hot dogs, and sausage. Prick in several places to allow steam to vent.

Shielding

Use small, flat pieces of aluminum foil to cover the thin pieces of irregularly shaped foods, bones, and foods such as chicken wings, leg tips, and fish tail. See "Aluminum Foil and Metal" first.

Standing Time

Food will continue to cook by the natural conduction of heat even after the microwave cooking cycle ends. The length of standing time depends on the volume and density of the food.

Turntable On/Off

For best performance, the turntable should be on during microwave cooking.

If using oversized cookware that does not turn freely on the turntable, turn the turntable off. See the "Turntable" section for additional information.

When microwave cooking with the turntable off, food should be turned halfway through the cooking process.

Cookware and Dinnerware

Cookware and dinnerware must fit on the turntable. Always use oven mitts or pot holders when handling because any dish may become hot from heat transferred from the food. Do not use cookware and dinnerware with gold or silver trim. Use the following chart as a guide, and then test before using.

MATERIAL	RECOMMENDATIONS
Aluminum Foil, Metal	See "Aluminum Foil and Metal" section.
Browning Dish	Bottom must be at least 3/16" (5 mm) above the turntable. Follow manufacturer's recommendations.
Ceramic Glass, Glass	Acceptable for use.
China, Earthenware	Follow manufacturer's recommendations.
Melamine	Follow manufacturer's recommendations.
Paper: Towels, Dinnerware, Napkins	Use non-recycled and those approved by the manufacturer for microwave oven use.
Plastic: Wraps, Bags, Covers, Dinnerware, Containers	Use those approved by the manufacturer for microwave oven use.
Pottery, Clay	Follow manufacturer's recommendations.
Silicone Bakeware	Follow manufacturer's recommendations.
Straw, Wicker, Wooden Containers	Do not use in microwave oven.
Styrofoam ^{®†}	Do not use in microwave oven.
Wax Paper	Acceptable for use.

To Test Cookware or Dinnerware for Microwave Use:

1. Place cookware or dinnerware in microwave oven with 1 cup (250 mL) of water beside it.
2. Cook at 100% cooking power for 1 minute.

Do not use cookware or dinnerware if it becomes hot and the water stays cool.

Aluminum Foil and Metal

Always use oven mitts or pot holders when removing dishes from the microwave oven.

Aluminum foil and some metal can be used in the microwave oven. If not used properly, arcing (a blue flash of light) can occur and cause damage to the microwave oven.

OK for Use

Grids and bakeware supplied with the microwave oven (on some models), aluminum foil for shielding, and approved meat thermometers may be used with the following guidelines:

- To avoid damage to the microwave oven, do not allow aluminum foil or metal to touch the inside cavity walls, ceiling, or floor.

[†]STYROFOAM is a Registered Trademark of The Dow Chemical Company.

- Always use the turntable.
- To avoid damage to the microwave oven, do not allow contact with another metal object during microwave cooking.

Do Not Use

Metal cookware and bakeware, gold, silver, pewter, non-approved meat thermometers, skewers, twist ties, foil liners such as sandwich wrappers, staples, and objects with gold or silver trim or a metallic glaze should not be used in the microwave oven.

Microwave Cooking Power

Many recipes for microwave cooking specify which cooking power to use by percent, name or number. For example, 70%=7=Medium-High.

Use the following chart as a general guide for the suggested cooking power of specific foods.

Microwave Cooking Power Chart

PERCENT/ NAME	NUMBER	USE
100%, High (default setting)	10	Quick heating convenience foods and foods with high water content, such as soups, beverages, and most vegetables.
90%	9	Cooking small, tender pieces of meat, ground meat, poultry pieces, and fish fillets. Heating cream soups.
80%	8	Heating rice, pasta or casseroles. Cooking and heating foods that need a cook power lower than high. For example, whole fish and meat loaf.
70%, Medium-High	7	Reheating a single serving of food.
60%	6	Cooking sensitive foods such as cheese and egg dishes, pudding and custards. Cooking non-stirring casseroles, such as lasagna.
50%, Medium	5	Cooking ham, whole poultry and pot roasts. Simmering stews.
40%	4	Melting chocolate. Heating bread, rolls, and pastries.
30%, Medium-Low, Defrost	30	Defrosting bread, fish, meats, poultry, and precooked foods.
20%	2	Softening butter, cheese, and ice cream.
10%, Low	1	Taking chill out of fruit.

NOTE: A percentage of 0% is also acceptable. This will not heat up.

Cook Sensor

During the Sensor Cook function, a sensor automatically adjusts for the cook time and power level.

The microwave oven display will show the time countdown once the sensor identifies the cooking duration.

If the microwave oven door is opened during a sensor function, the microwave oven will turn off and any additional operations will be canceled.

For Best Cooking Performance:

Before using a sensor cook function, make sure power has been supplied to the microwave oven for at least 2 minutes, the room temperature is not above 95°F (35°C), and the outside of the cooking container and the microwave oven cavity are dry.

My Creations

My Creations allows the customization of cooking processes. When My Creations is selected from the main menu a list of existing creations is presented along with the ability to create more.

1. From the Cooking Mode menu, scroll until "My Creations" is shown.
2. Select between Create New, Use Saved, or Delete/Edit.

NOTE: The first time MY CREATIONS is used, only "Create New" will be displayed.
3. Touch the Create New pad, and then touch NEXT.
4. Select the desired Cook mode. Choose between Convect Roast, Convect Bake, Steam Cook, Defrost, Reheat, Cook, Keep Warm, Soften, Melt, Boil & Simmer, Broil & Grill, and Browning Pan.
5. Enter a Cook Time (–:–:–).

NOTE: The maximum total length of time of all three available stages is 12:00:00.
6. Touch POWER to adjust cooking power, touch the desired cooking power, and then touch SET.

or
7. If the "Convect Bake" or "Convect Roast" mode is chosen, choose a cook temperature between 170° and 450°F (77°C and 232°C), touch NEXT, enter a Cook Time (–:–:–), and then touch SET and go to step 9.

NOTE: In the "Convect Bake" mode, the Power Level selection is unavailable.
8. Touch NEXT.
9. Review your settings. If any extra stage is needed, touch the Stage you wish to set, and then touch ADD.

NOTE: Each stage set shows the following information: Mode, Power/Temperature, and Cook Time. It is possible to have 3 stages.
10. Enter the information into each stage, and then touch SAVE.
11. Use the tumbler to select the shortcut menu where the creation will be stored.
12. Touch SAVE or OVERWRITE. Overwrite will appear if there is a creation previously stored in the chosen shortcut menu.

To Use Saved

1. Use the tumbler to select Use Saved from the menu selection, and then touch NEXT.
2. Select the cooking creation you desire to use, and then touch START.

NOTE: You may be prompted to open and close the door before the creation can begin cooking.

To Delete

1. Use the tumbler to select Delete / Edit from the menu selection, and then touch NEXT.
2. Using the tumbler, select the creation you wish to delete.

3. Touch DELETE.

To Edit

1. Use the tumbler to select Delete / Edit from the menu selection and then touch NEXT.
2. Using the tumbler, select the creation you wish to edit and then touch EDIT.
3. Use the tumbler to select the stage to be modified and then touch EDIT.
NOTE: If a stage is empty, you can touch ADD to add an action to that stage.
4. Select the desired Cook mode. Choose between Convect Roast, Convect Bake, Steam Cook, Defrost, Reheat, Cook, Keep Warm, Soften, Melt, Boil & Simmer, Broil & Grill, and Browning Pan.
5. Enter a Cook Time (–:–:–).
NOTE: The maximum total length of all three available stages is 12:00:00.
6. Touch POWER to adjust cooking power, select the desired cooking power, and then touch SET.
or
If the “Convect Bake” or “Convect Roast” mode is chosen, choose a cook temperature between 170° and 450°F (77°C and 232°C), touch NEXT, enter a Cook Time (–:–), and then touch SET and go to step 8.
7. Touch NEXT.
8. Review your settings. If any extra stage is needed, touch the Stage you wish to set, and then touch ADD.
NOTE: Each stage set shows the following information: Mode, Power/Temperature, and Cook Time. It is possible to have 3 stages.
9. Enter the information into each stage and then touch SAVE.
10. Use the tumbler to select the shortcut menu where the creation will be stored.
11. Touch SAVE or OVERWRITE. Overwrite will appear if there is a creation previously stored in the chosen shortcut menu.

Cooking Functions

1. Touch the POWER button or touch the MICROWAVE button (on combination oven models).
2. Select the desired Cook mode. Choose between Convect Roast, Convect Bake, Convert Recipe for Convection, Steam Cook, SpeedCook, My Creation, Auto Cook, Defrost, Reheat, Cook, Popcorn, Baked Potato, Beverage, Keep Warm, Soften, Melt, Boil & Simmer, Broil & Grill, and Browning Pan
3. Enter a Cook Time (–:–:–). The maximum length is 01:29:59.
NOTE: The Cook Time selection is not available for sensor cooking modes.
4. To adjust the cooking power level, touch POWER, select your desired power, and then touch SET. The available ranges are shown in the following table.

MODE	RANGE
Convect Roast	170–450°F (77–232°C)
	Default 325°F (163°C) @ 0% Power
	Power: 0–30% (Default 0%)
Convect Bake	170–450°F (77–232°C)
	Default 325°F (163°C)
Convert Recipe For Convection	Roast
	Bake (Default)

MODE	RANGE
	170–450°F (77–232°C)
	Default 325°F (163°C)
Steam Cook	Manual (Default @ 100% Power)
	Asparagus
	Broccoli
	Carrots
	Cauliflower
	Corn on the Cob
	Fish Fillets
	Frzn. Vegetables
	Green Beans
	Potatoes
	Shrimp
Spinach	
Summer Squash	
SpeedCook Foods	Breads
	Casserole
	Convenience Foods (Default)
	Dessert
	Fish
	Meats
	Poultry
	Vegetables
My Creation	Create New (Default)
Auto Cook	Beef Roast
	Bread
	Cookies
	Frozen Entrée
	Hot Cereal (Default)
	Scrambled Eggs
Defrost	Bread
	Fish
	Juice
	Meats
	Manual (Default @ 20% Power)
	Poultry
Seafood	

MODE	RANGE
Reheat	Manual (Default @ 100% Power)
	Casserole
	Dinner Plate
	Pizza Slice
	Sauce
	Soup
Cook	00:01–89:59
	10–100% (Default 100%)
Popcorn	1.75 ~ 3.5 oz Bag
Baked Potato	4 Potatoes
	3 Potatoes
	2 Potatoes
	1 Potato (Default)
Beverage	2 Cups (16 oz)
	1 Cup (8 oz) (Default)
Keep Warm	00:01–89:59 (Default 60:00 @ 10% Power)
Soften	Manual (Default @ 20% Power)
	Butter
	Cream Cheese
	Ice Cream
	Margarine
Melt	Manual (Default @ 30% Power)
	Butter
	Cheese
	Chocolate
	Margarine
	Marshmallow
Boil & Simmer	Manual (Default @ 100% Power)
	Dry Fettuccini
	Dry Macaroni
	Dry Penne
	Dry Rotini
	Dry Spaghetti
	Linguine
	Long Rice
	Ravioli
	Tortellini
	Short Rice

MODE	RANGE
Broil & Grill	Manual (Default @ 0% Power)
	Chicken Pieces
Browning Pan	Manual (Default @ 100% Power)
	Bacon
	Boneless Breasts
	French Fries
	Hamburger Patty
	Pizza Roll
	Potato Nuggets
	Rising Crust Pizza
	Thin Crust Pizza

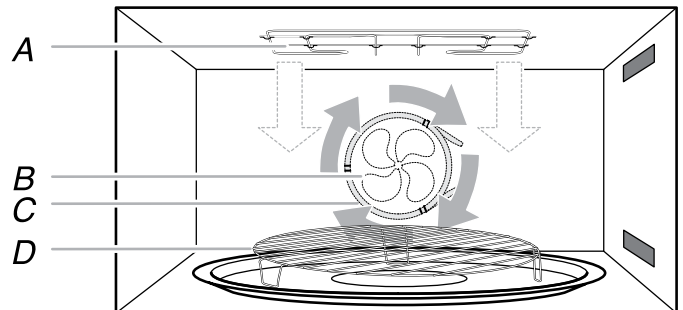
5. Touch START. The display will count down the cook time. When the stop time is reached, the oven will shut off automatically.

If enabled, end-of-cycle tones will sound.

6. Touch MICROWAVE CANCEL (CANCEL MICROWAVE on combination oven models), or open the door to clear the display.

NOTE: The microwave-cooling fan may continue to run for several minutes after the cooking cycle has been completed. The microwave cooking does not continue beyond the end of cooking cycle.

Auto Convection Conversion



- A. Broil element
- B. Convection fan
- C. Convection element
- D. Grilling grid or convection grid

Convection cooking uses the convection element, the broil element and the fan. Hot air is circulated throughout the oven cavity by the fan. The constantly moving air surrounds the food to heat the outer portion quickly.

- The convection function may be used to cook small amounts of food on a single grid.
- Always use the grilling grid or convection grid placed on turntable.
- To avoid damage to the microwave oven, do not cover turntable, grilling grid or convection grid, or baking tray with aluminum foil.

- Do not use light plastic containers, plastic wrap, or paper products. All heatproof cookware or metal utensils can be used in convection cooking. Round pizza pans are excellent for convection cooking.
- When the broil element is in use, the cooling fan turns on and stays on for up to 10 minutes after the cycle is over.
- Use convection cooking for items such as soufflés, breads, cookies, angel food cakes, pizza, and most meats and fish.

Auto Convection Conversion is a function that converts a standard thermal bake cook time and temperature into an ideal cook time and temperature for convection cooking.

Convection temperatures and times differ from those of standard cooking. The oven will automatically reduce standard recipe temperatures and times for convection cooking.

The conversion may not be exact because foods are grouped in general categories.

Use the following chart as a guide.

Convection Chart

SETTING	FOODS
Bake	Casseroles and baked goods
Roast	Meats and vegetables

To Use Recipe Conversion:

1. If preheat is not required, place food in oven or on convection grid on the turntable, and close the door.
2. Touch POWER or MICROWAVE (on combination oven models).
3. From the Cooking mode menu, select the Convert Recipe (for convection).
4. Select between Roast or Bake to convert a traditional recipe to a convection method of cooking. Touch NEXT.
5. Enter the standard cooking temperature between 170°F and 450°F (77°C and 232°C).
6. Touch NEXT.
7. Select the original recipe Bake/Roast time and touch SET.
or
8. Touch SKIP TIMER to move to the next step.
9. Touch START. If preheat is required, place food in oven or on convection grid on turntable after preheat tone sounds. The display will count down the cook time.
When the stop time is reached, the oven will display "Cooking Ended" and transition to hold temperature, which maintains the oven temperature.
If enabled, end-of-cycles tones will sound.
10. (Optional) After the cooking cycle ends, touch the ADD 30 SEC button. This will automatically add 30 seconds to the cook time.
11. Touch MICROWAVE CANCEL to turn off the microwave oven.

Defrost

The Defrost feature can be used, or the microwave oven can be manually set to defrost by using 20% cook power.

- For optimal results, food should be 0°F (-18°C) or colder when defrosting.
- Unwrap foods and remove lids (from fruit juice) before defrosting.
- Shallow packages will defrost more quickly than deep blocks.
- Separate food pieces as soon as possible during or at the end of the cycle for more even defrosting.
- Foods left outside the freezer for more than 20 minutes or frozen ready-made food should not be defrosted using the Custom Defrost feature, but should be defrosted manually.

- Use small pieces of aluminum foil to shield parts of food such as chicken wings, leg tips, and fish tails. See "Aluminum Foil and Metal" first.
- Times and cooking powers have been preprogrammed for defrosting a number of food types. For each food category, a precise amount of food can be entered or preprogrammed quantities can be selected.

SpeedCook Foods

The SpeedCook function uses the broil element, convection element and fan, and microwaves. All cycle on and off in intervals.

- Bakeware and the interior oven surfaces, including the door, will become hot.
- Always use an instant read thermometer to determine doneness of meat and poultry.
- Use microwave-safe and ovenproof bakeware.
- Do not use covers or containers made of foil, paper, waxed paper, or plastic not recommended for use in a conventional oven.
- When roasting, meats and poultry may spatter. Plastic oven bags designed for conventional oven use can be used for easier cleanup. Follow manufacturer's recommendations.
- When using the grilling grid or convection grid, place it directly on the turntable.
- Arrange pieces of food in a single layer on the crisper pan or baking dish.

Before SpeedCooking, put food in the oven and close the door. Preheating is not necessary.

To Use SpeedCook Foods:

NOTE: For combination units, touch the MICROWAVE to access the microwave menu.

1. From the Mode menu, select SPEEDCOOK FOODS.
2. Scroll to the desired food category and touch NEXT.
3. Scroll to the desired food and touch NEXT.
NOTE: Some cooking selections may ask for additional information, such as food weight or pan size. If this occurs, make the proper selection and touch NEXT.
4. Read and follow the on-screen cooking instructions.
5. Touch START to begin cooking cycle.
or
Touch DONENESS and scroll to select between More Done, Suggested, or Less Done and touch SET to return to the previous screen, and then touch START to begin the cooking cycle.
6. Touch MICROWAVE CANCEL to turn off the oven.

SETTING	QUANTITY
Meats	
Bone-in pork chops	0.4-1.5 lb (0.2-0.7 kg)
Boneless beef roast	1.5-5.0 lb (0.7-2.3 kg)
Boneless ham	1.0-4.5 lb (0.5-2.0 kg)
Boneless pork chops	0.3-1.6 lb (0.1-0.7 kg)
Boneless pork roast	1.0-5.0 lb (0.5-2.3 kg)
Meatloaf	1.5-2.0 lb (0.7-0.9 kg)
Meatballs	20 pieces
Swiss steak	1.0-2.0 lb (0.5-0.9 kg)

SETTING	QUANTITY
Poultry	
Frozen Chicken Tenders	5-20 pieces
Chicken breast	0.2-2.0 lb (0.1-0.9 kg)
Chicken nuggets	6-24 pieces
Chicken pieces - with skin	0.5-2.0 lb (0.2-0.9 kg)
Frozen fried chicken	4-8 pieces
Turkey breast	3.0 lb (1.4 kg)
Whole chicken	3.0-5.5 lb (1.4-2.5 kg)
Bone-in chicken pieces	0.5-2.0 lb (0.2-0.9 kg)
Frozen chicken wings	0.5-1.5 lb (0.2-0.7 kg)
Fish	
Fish fillets	0.4-1.2 lb (0.2-0.5 kg)
Frozen fish sticks	4-16 pieces
Frozen fish, battered	2-8 pieces
Breads	
Refrigerated biscuits - large, 1 pan	8 pieces
Refrigerated biscuits - small, 1 pan	10 pieces
Cinnamon rolls - large, 1 pan	5 pieces
Cinnamon rolls - small, 1 pan	8 pieces
Crescent rolls - 1 pan	8 pieces
Frozen bread sticks - 1 pan	6 pieces
Garlic/cheese bread - 1 loaf	8 oz (226.8 g)
Vegetables	
Baked potatoes	1-8 potatoes
French fries	3-12 oz (85.0-340.2 g)
Frozen onion rings	4-16 oz (113.4-453.6 g)
Frozen potato nuggets	3-12 oz (85.0-340.2 g)
Frozen potato skins	1-4 servings
Frozen potato wedges	1-4 servings
Roasted vegetables	2-8 cups (500-2,000 mL)
Sweet potatoes	1-6 potatoes
Desserts	
Brownies - (8" x 8" [20.3 x 20.3 cm] or 9" x 13" [22.9 x 33 cm] pan)	—
Cake, bundt cake	—
Cookie dough - 1 pan	8 cookies

SETTING	QUANTITY
Casserole	
Freshly made casserole - (8" x 8" [20.3 x 20.3 cm] or 9" x 13" [22.9 x 33 cm] pan)	—
Freshly made lasagna - (8" x 8" [20.3 x 20.3 cm] pan)	—
Frozen lasagna	10.0-60.0 oz (284 g-1.7 g)
Convenience Food	
Bagel bites	9 pieces
Cheese sticks	4-16 pieces
Frozen egg rolls	1-8 pieces
Frozen french toast	1-4 pieces
Frozen sausage links	2-10 pieces
Frozen sausage patties	2-8 pieces
Frozen waffles	1-4 pieces
Hot dogs	2-10 pieces
Jalapeno poppers	5-20 pieces
Nachos - 1 pan	—
Pizza - reheat	1-4 slices

Cook

To Use Manual Cook:

NOTE: For combination units, touch the MICROWAVE to access the microwave menu.

- From the Mode menu, select Cook (Default Mode).
NOTE: The default power setting is 100%.
- Scroll to enter a Cook Time (–:–). The maximum length is 89:59.
- (Optional) To adjust the power level, touch "Power 100%", scroll to select the desired power level, and then touch SET. The range is between 10% and 100%.
- Touch START.
When the stop time is reached, the oven will shut off automatically.
NOTE: The microwave-cooling fan may continue to run for several minutes after the cooking cycle has been completed. The microwave cooking does not continue beyond the end of cooking cycle.
- (Optional) After the cooking cycle ends, touch the ADD 30 SEC button. This will automatically add 30 seconds to the cook time.
- Touch Microwave Cancel to turn off the oven.

Popcorn

Pop only 1 package at a time.

Listen for popping to slow to 1 pop every 1 or 2 seconds, and then stop the cycle.

To Use Popcorn Mode:

- From the Mode menu, select Popcorn.
- (Optional) To adjust the doneness, touch DONENESS, read the onscreen information, and then touch DONENESS. Select More Done, Suggested, or Less Done, and then touch SET.

3. Touch START.
4. Touch Microwave Cancel to turn off the oven.

When the stop time is reached, the oven will shut off automatically.

NOTE: The microwave-cooling fan may continue to run for several minutes after the cooking cycle has been completed. The microwave cooking does not continue beyond the end of cooking cycle.

Beverage

Use a microwave safe container.

Do not cover.

To Use Beverage Mode:

NOTE: For combination units, touch the MICROWAVE to access the microwave menu.

1. From the Mode menu, select BEVERAGE.
2. Select quantity.
3. (Optional) To adjust the doneness, touch DONENESS, read the on-screen information, and then touch DONENESS. Select More Done, Suggested, or Less Done, and then touch SET.
4. Touch START.
5. Touch Microwave Cancel to turn off the oven.

When the stop time is reached, the oven will shut off automatically.

NOTE: The microwave-cooling fan may continue to run for several minutes after the cooking cycle has been completed. The microwave cooking does not continue beyond the end of cooking cycle.

Steam

Steam is a sensor cooking function that uses microwaves to steam food. Use Steam for foods such as vegetables, fish, and potatoes.

- Times and cooking powers have been preprogrammed for steaming a number of food types.
- Use a microwave-safe steamer.

Use the following chart as a guide.

Steam Cooking Chart

FOOD	QUANTITY
Manual*	–
Asparagus	8–16 oz
Broccoli	2–6 cups
Carrots	2–6 cups
Cauliflower	2–6 cups
Corn on the Cob	2–4 ears
Fish Fillets	0.5–1.5 lbs
Frzn. Vegetables	2–6 cups
Green Beans	2–6 cups
Potatoes	2–6 cups
Shrimp	5–8 oz
Spinach	4–8 cups
Summer Squash	2–6 cups

*Manual Steam requires that a cook time be entered.

(Optional) Modify the food doneness by touching the Doneness pad. Select More Done, Suggested, or Less Done, then touch SET, review the cook settings, and then touch START.

Melt

The Melt function may be used to melt your food. Times and cooking powers have been preprogrammed for a number of food types. Use the following chart as a guide.

Melt Chart

FOOD	QUANTITY
Manual*	–
Butter	1/2 Stick
	1 Stick
	1 1/2 Sticks
	2 Sticks
Cheese	8 oz
	16 oz
Chocolate	1–12 oz
Margarine	1/2 Stick
	1 Stick
	1 1/2 Sticks
	2 Sticks
Marshmallows	5 oz
	10 oz

*Manual Melt requires that a cook time be entered.

(Optional) Modify the food doneness by touching the Doneness pad. Select More Done, Suggested, or Less Done, then touch SET, review the cook settings, and then touch START.

Reheat

Times and cooking powers have been preprogrammed for reheating a number of food types.

Use the following chart as a guide.

Custom Reheat Chart

FOOD	QUANTITY
Manual*	Default power level 100%.
Casserole	1-4 cups (250 mL-1 L)
	Place in microwave-safe container. Cover with plastic wrap and vent. Stir and let stand 2-3 minutes after reheating.
Dinner Plate	8-16 oz (227-454 g)
	Place food on plate. Cover with plastic wrap and vent. Let stand 2-3 minutes after reheating.
Pizza Slices	1-3 slices (3 oz [85 g] each)
	lace on a paper towel.

FOOD	QUANTITY
Sauce	1-4 cups (250 mL-1 L)
Place in microwave-safe container. Cover with plastic wrap and vent. Stir and let stand 2-3 minutes after reheating.	
Soup	1-4 cups (250 mL-1 L)
Place in microwave-safe container. Cover with plastic wrap and vent. Stir and let stand 2-3 minutes after reheating.	

*Manual Reheat requires that a cook time be entered.

To Use Programmed Reheat:

For Combination Ovens, begin by touching the MICROWAVE button.

1. Scroll to REHEAT in the cooking mode menu.
2. Scroll to the desired food category and touch NEXT. If you choose DINNER PLATE, skip to step 4.
3. Scroll to select one of the preset quantities, and then touch NEXT.
4. Touch START.
or
Touch DONENESS and scroll to select between More Done, Suggested, or Less Done and touch SET to return to the previous screen, and then touch START to begin the cooking cycle.
5. Touch MICROWAVE CANCEL to turn off the oven.

To Use Manual Reheat:

For Combination Ovens, begin by touching the MICROWAVE button.

1. Scroll to REHEAT in the cooking mode menu.
2. Scroll to MANUAL food category and then touch NEXT.
3. Scroll the MIN and SEC tumbler to set the desired amount of cook time.
NOTE: The default power setting is 100%.
4. (Optional) The default Turntable is ON. To change the Turntable setting, touch TURNTABLE IS ON. The button will display TURNTABLE IS OFF. Repeat the process to turn the turntable back on.
NOTE: Once the cooking cycle has completed, the turntable will return to the default of ON.
5. (Optional) To adjust the power level, touch Power 100%, then scroll to the desired power level and touch SET.
The range is between 10-100%.
6. Touch START to begin cooking cycle.
7. Touch MICROWAVE CANCEL to turn off the oven.

Soften

The Soften function may be used to soften your food. Times and cooking powers have been preprogrammed for a number of food types.

Use the following chart as a guide.

Soften Chart

FOOD	QUANTITY
Manual*	—
Butter	1/2 Stick
	1 Stick
	1½ Sticks

FOOD	QUANTITY
	2 Sticks
Cream Cheese	3 oz
	8 oz
Ice Cream	16 oz
	32 oz
	64 oz
Margarine	1/2 Stick
	1 Stick
	1½ Sticks
	2 Sticks

*Manual Soften requires that a cook time be entered.

(Optional) Modify the food doneness by touching the Doneness pad. Select More Done, Suggested, or Less Done, then touch SET, review the cook settings, and then touch START.

Boil & Simmer

Boil & Simmer is a sensor function, and uses only microwaves to simmer your food.

- Follow recommended water and food amounts that appear on the display.
- For best cooking results, do not use plastic wrap as a cover during the Boil & Simmer cycle.
- Do not remove the lid while the dish is still in the oven, as the rush of steam will disrupt the sensor readings.
- Use a microwave-safe dish with a loose-fitting lid.

Use the following chart as a guide.

Boil & Simmer Chart

FOOD	QUANTITY
Dry fettuccine, dry spaghetti	2–8 oz (57–227 g)
Dry macaroni, dry penne, dry rotini	1/2–2 cups (118–473 mL)
Linguine, ravioli, tortellini	9 or 18 oz (255 or 510 g)
Long or short grain white rice	1/2–2 cups (118–473 mL)

- Use the Manual Simmer function for foods such as soups, casseroles, stews, and other liquid food.
- Manual Boil & Simmer requires that a cook time be entered.

To Use Programmed Boil & Simmer:

To begin the function on combination ovens, touch MICROWAVE.

1. Scroll to Boil & Simmer in the cooking mode menu.
2. Scroll to select the desired food type and touch NEXT.
3. Scroll to select one of the preset quantities and then touch NEXT.
4. (Optional) To adjust the doneness, touch DONENESS, read the on-screen information, and then touch DONENESS. Select More Done, Suggested, or Less Done, and then touch SET.

5. Touch START.

NOTE: When cooking pasta, the oven will pause for adding pasta to the water. Then the oven will restart. If enabled, end-of-cycle tones will sound.

6. (Optional) After the cooking cycle ends, touch the ADD 30 SEC button. This will automatically add 30 seconds to the cook time.

7. Touch Microwave Cancel to turn off the oven.

To Use Manual Boil & Simmer:

To begin the function on combination ovens, touch MICROWAVE.

1. Scroll to Boil & Simmer in the cooking mode menu.

2. Scroll to Manual and touch NEXT.

3. Enter a Cook Time (–:–). The maximum length is 89:59.

NOTE: In the Boil & Simmer mode, the microwave controls power. After water is brought to a boil, the food will simmer for the length of the Cook Time.

4. Touch START. Once the boiling point is reached, the display will count down the cook time.

If enabled, end-of-cycle tones will sound.

5. (Optional) After the cooking cycle ends, touch the ADD 30 SEC button. This will automatically add 3 seconds to the cook time.

6. Touch Microwave Cancel to turn off the oven.

Manual Simmer Chart

FOOD	INSTRUCTIONS
Pasta*	Add 1 tablespoon (15 mL) oil to water. Place the dish containing water in oven. Enter 1 second of simmer time. The water will heat to a boil and then the oven will turn off. Place the pasta in the water and cover the dish. Repeat steps 1–4 under “To Use Manual Simmer,” then enter the actual simmer time desired.
Rice and Vegetables	Place water and food in dish. Place dish in oven. Set simmer time.
Soup and liquid foods	Place food in dish and place dish in oven. Set simmer time.

*Use a dish large enough to completely cover food with water.

(Optional) Modify the food doneness by touching the Doneness pad. Select More Done, Suggested, or Less Done, then touch SET, review the cook settings, and then touch START.

Keep Warm

⚠ WARNING

Food Poisoning Hazard

Do not let food sit for more than one hour before or after cooking.

Doing so can result in food poisoning or sickness.

Hot cooked food can be kept warm in the microwave oven.

Keep Warm™ setting can be used by itself or can be preprogrammed to follow a cooking cycle.

- Cover plates of food.
- Cover foods that were covered while being cooked.
- For best results, do not cover baked goods such as pastries, pies, turnovers, etc.

To Use Keep Warm:

1. Touch POWER or MICROWAVE (on combination oven models).

2. From the Cooking mode menu, touch KEEP WARM.

NOTE: The default power level is 10%.

3. Select a Keep Warm time (–:–:–). The maximum length is 01:29:59.

4. Touch START. The oven display will count down the cook time.

When the stop time is reached, the microwave oven will shut off automatically.

If enabled, end-of-cycle tones will sound.

5. Touch MICROWAVE CANCEL to turn off the oven.

NOTE: The microwave-cooling fan may continue to run for several minutes after the cooking cycle has been completed. The microwave cooking does not continue beyond the end of cooking cycle.

Browning Pan

The Browning Pan feature uses the crisper pan, the broil element and microwaves to crisp and brown foods. While microwaves heat food from above, they also heat the pan from below to brown and crisp the food.

Browning Pan can be used to saute meats and vegetables, pan fry bacon and eggs, and to crisp and brown pizza and french fries.

Some Browning Pan cycles are programmed to preheat the empty pan for 3 minutes before cooking begins. When the preheating cycle is complete, the microwave oven will stop and prompt you to add the food to the crisper pan. The microwave oven may prompt you to turn over the food during the cycle.

- Always use the crisper pan.
- See the “Coated Crisper Pan and Handle” section before using.
- Microwave oven cavity and door will become very hot during broil element use. The use of oven mitts is recommended.
- The crisper pan will become very hot. Use the handle to grasp and remove the pan from the oven. Do not place hot crisper pan directly on heat-sensitive surfaces. Damage may occur.
- To avoid damage to plastic utensils, do not use them with the crisper pan as it becomes very hot and could melt the utensils.
- Do not use metal utensils, as they can scratch the pan.
- For best cooking results, do not use the pan in any other microwave oven or in a thermal oven.
- For best cooking results, do not place the crisper pan on the grilling grid or convection grid. Always use the turntable as a support for the pan.
- For best results, coat pan lightly with cooking oil to make removing food and cleaning easier.

Use the following chart as a guide when using the browning function.

Preprogrammed Browning Pan

Times and cooking powers have been preprogrammed for browning several food types.

Browning Pan Cooking Chart

FOOD	QUANTITY
Manual*	
Bacon	2–4 slices
Poultry breast, boneless	1–3 pieces
French fries	1–3 servings

FOOD	QUANTITY
Hamburger patties	1–4 patties
Pizza roll	1–4 servings
Potato nuggets	1–4 servings
Pizza, frozen, rising crust	6 to 12" (15–30.5 cm)
Pizza, frozen, thin crust	6 to 12" (15–30.5 cm)

*Manual Browning requires that a cook time be entered.

To Use Programmed Browning Pan:

1. Touch POWER or MICROWAVE (on combination oven models).
2. From the Cooking mode menu, touch BROWNING PAN.
3. Select the food type, and then touch NEXT.
4. Use the tumbler to select one of the preset quantities, and then touch NEXT to start cooking to the recommended doneness.
or
5. Modify the food doneness by touching a Doneness pad. Choose Select More Done, Suggested, or Less Done, and then touch SET.
6. Touch START.
When the stop time is reached, the microwave oven will shut off automatically.
NOTE: The microwave-cooling fan may continue to run for several minutes after the cooking cycle has been completed. The microwave cooking does not continue beyond the end of cooking cycle.
If enabled, end-of-cycle tones will sound.
7. (Optional) After the cooking cycle ends, select Keep Warm from the Cooking mode menu, and then touch START. This will start a new cooking cycle that will keep food warm. The microwave will run at 10% power for a default of 60 minutes, but can be set for up to 01:29:59. See the “Keep Warm” section for additional information.
8. (Optional) After the cooking cycle ends, touch ADD 30 SEC. This will automatically add 30 seconds to the cook time.
9. Touch MICROWAVE CANCEL to turn off the oven.

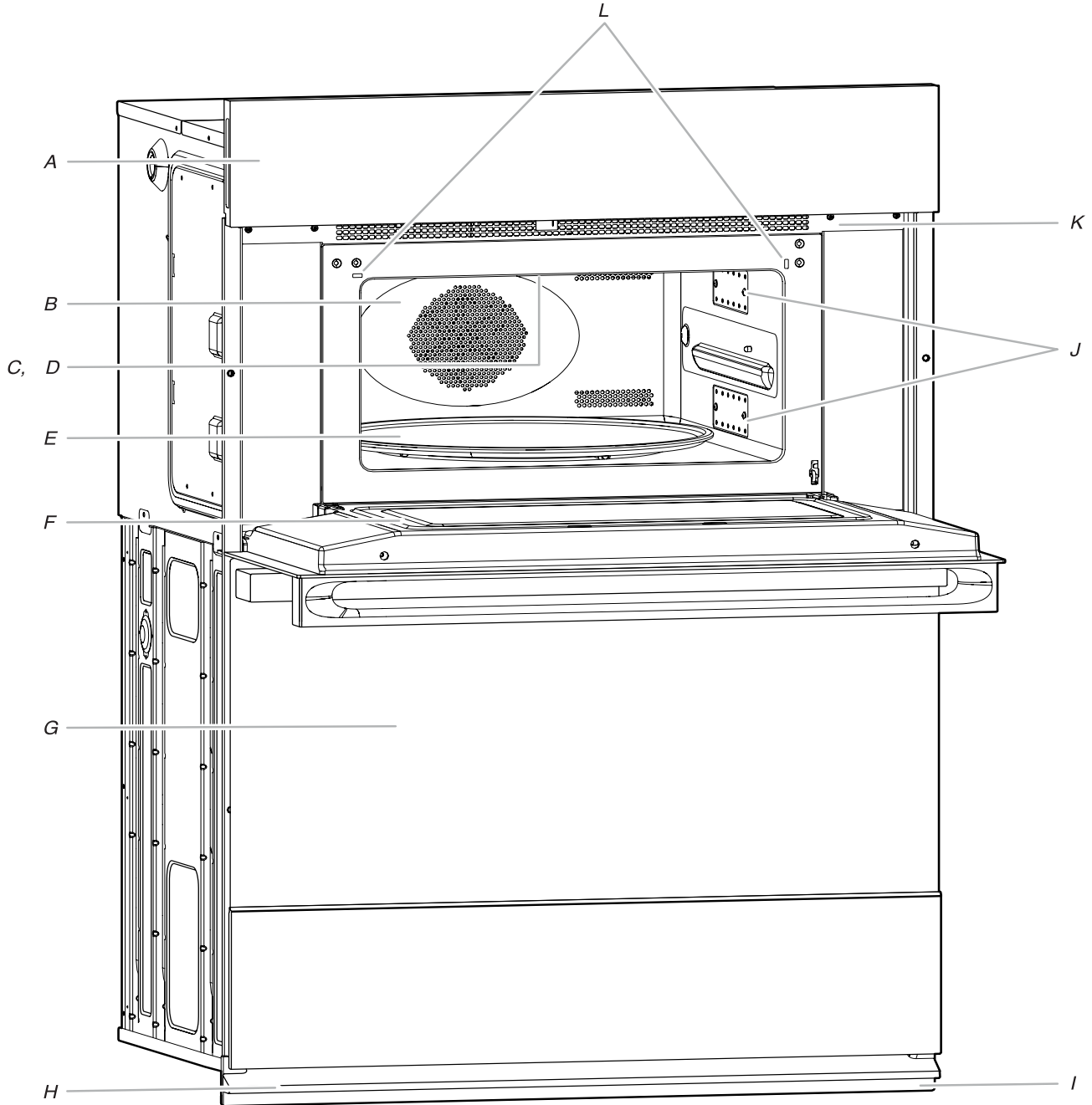
To Use Manual Browning Pan:

1. Touch POWER or MICROWAVE (on combination oven models).
2. From the Cooking mode menu, touch BROWNING PAN.
3. Touch NEXT.
4. To enter a cook time, use the tumbler to select a cook time (00:00:00), and then touch START. The maximum length is 01:29:59.
NOTE: In the Browning Pan mode, the microwave controls power. High Power is needed to heat the pan.
5. Touch START. The display will count down the cook time. When the stop time is reached, the oven will shut off automatically.
NOTE: The microwave-cooling fan may continue to run for several minutes after the cooking cycle has been completed. The microwave cooking does not continue beyond the end of cooking cycle.
If enabled, end-of-cycle tones will sound.
6. (Optional) After the cooking cycle ends, select Keep Warm from the Cooking mode menu, and then touch START. This will start a new cooking cycle that will keep food warm. The microwave will run at 10% power for a default of 60 minutes, but can be set for up to 01:29:59. See the “Keep Warm” section for additional information.
7. (Optional) After the cooking cycle ends, touch ADD 30 SEC. This will automatically add 30 seconds to the cook time.
8. Touch MICROWAVE CANCEL to turn off the oven.

Guide de commande de l'ensemble four à micro-ondes/four

Pièces et caractéristiques

Ce manuel concerne plusieurs modèles. Le modèle que vous avez peut comporter toutes les caractéristiques énumérées ou seulement certaines d'entre elles. Se reporter à ce manuel ou à la section Foire aux questions (FAQ) de notre site Web sur www.jennair.com pour des instructions plus détaillées. Au Canada, consulter la section du service à la clientèle au www.jennair.ca.



- A. Commandes électroniques du four
- B. Élément et ventilateur à convection (dissimulés derrière le panneau arrière)
- C. Léger
- D. Élément de cuisson au gril
- E. Plateau rotatif
- F. Hublot avec grille métallique

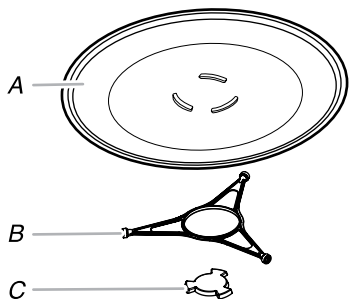
- G. Four inférieur (sur les modèles combinés. Voir le Guide de commande séparé.)
- H. Évent inférieur
- I. Protecteur d'évent inférieur (sur certains modèles)

- J. Émission double de micro-ondes
- K. Plaque de numéros de modèle et de série (sur l'évent du centre sous le panneau de commande.
REMARQUE : Sur les modèles de four à micro-ondes simple, sur la garniture latérale droite.)
- L. Contacteur de porte

Pièces et caractéristiques non illustrées

- Grille de convection
- Grille de cuisson
- Plat à croustiller et poignée

Plateau rotatif



- A. Plateau rotatif
B. Support et roulettes
C. Moyeu

Le plateau rotatif tourne dans les deux sens pour permettre une cuisson plus uniforme. Ne pas faire fonctionner le four à micro-ondes lorsque le plateau rotatif est enlevé. Consulter le Guide de démarrage rapide pour les informations de commande.

Insérer les protubérances arrondies au centre du dessous du plateau rotatif entre les trois rayons de l'axe. L'axe fait tourner le plateau rotatif pendant l'utilisation du four à micro-ondes. Les roulettes sur le support devraient se loger à l'intérieur du pourtour cranté du dessous du plateau rotatif.

REMARQUE : Le ventilateur de refroidissement du four à micro-ondes peut continuer à fonctionner pendant quelques minutes après que le programme de cuisson soit terminé. La cuisson par micro-ondes ne continue pas après le programme de cuisson.

Activation/désactivation :

Pour obtenir une bonne performance, il est recommandé de toujours laisser le plateau rotatif du four à micro-ondes activé. Au besoin, le plateau rotatif peut être désactivé (sauf pendant l'utilisation d'une fonction automatique).

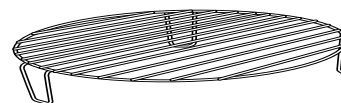
Désactiver le plateau peut être pratique lorsqu'on utilise un plat plus large que le plateau.

- À partir du MENU mode de cuisson au micro-ondes, appuyer sur TURNTABLE (plateau rotatif) pour faire tourner ou arrêter le plateau.

	A	B	C	D	
Defrost		02	02	Turntable is ON	
Reheat		01	01		
Cook		00 MIN	00 SEC	START	E
Popcorn		89	59	Power 100%	F
Baked Potato		88	58		

- A. Mode de cuisson
B. Durée – sélection de minutes
C. Durée – sélection de secondes
D. Mise en marche/arrêt du plateau rotatif
E. Mise en marche du programme de cuisson
F. Sélection du niveau de puissance

Grille de convection



La grille de convection apporte une circulation optimale de la chaleur pour la cuisson par convection (sur certains modèles). Son utilisation est recommandée pour la cuisson par convection et pour griller des morceaux de viande épais tels que du poulet avec os.

- La grille deviendra chaude. Toujours utiliser des mitaines de four ou des maniques lors de l'utilisation.
- Afin d'éviter d'endommager le four à micro-ondes, ne pas laisser la grille en contact avec les parois internes, la paroi supérieure ou la paroi inférieure.
- Toujours utiliser le plateau rotatif.
- Afin d'éviter d'endommager le four à micro-ondes, ne pas laisser les grilles en contact avec les parois internes, la paroi supérieure ou la paroi inférieure du four.
- La cuisson sur deux niveaux n'est pas recommandée.
- Pour de meilleurs résultats, ne pas placer de sacs de maïs à éclater sur la grille.
- La grille est conçue spécialement pour ce four. Pour de meilleurs résultats de cuisson, ne pas utiliser d'autre grille avec ce four.

Plat antiadhésif à croustiller et poignée



Le plat à croustiller, avec sa surface antiadhésive et sa poignée amovible, a été conçu spécialement pour l'utilisation au four à micro-ondes et est idéal pour faire sauter (brunir) des aliments dans le four à micro-ondes.

- Le plat à croustiller sera chaud. Utilisez toujours des mitaines de four et des maniques de four lors de l'utilisation de la poêle. Placer l'extrémité de fixation sur le bord de la poêle, serrer la poignée et soulever la poêle.
- Ne pas laisser le plat à croustiller ou la poignée toucher les parois internes, la paroi supérieure ou la paroi inférieure de la cavité du four.
- Utiliser le plateau rotatif comme support pour le plat à croustiller.
- Ne pas placer le plat à croustiller chaud sur des surfaces non résistantes à la chaleur. Des dommages peuvent survenir.
- Afin d'éviter d'endommager le four, ne pas utiliser d'autre objet métallique avec le plat à croustiller.
- Le plat à croustiller est conçu spécifiquement pour ce four. Ne pas l'utiliser dans un autre four.
- Utiliser seulement des ustensiles de cuisson en bois ou en plastique pour éviter les rayures.

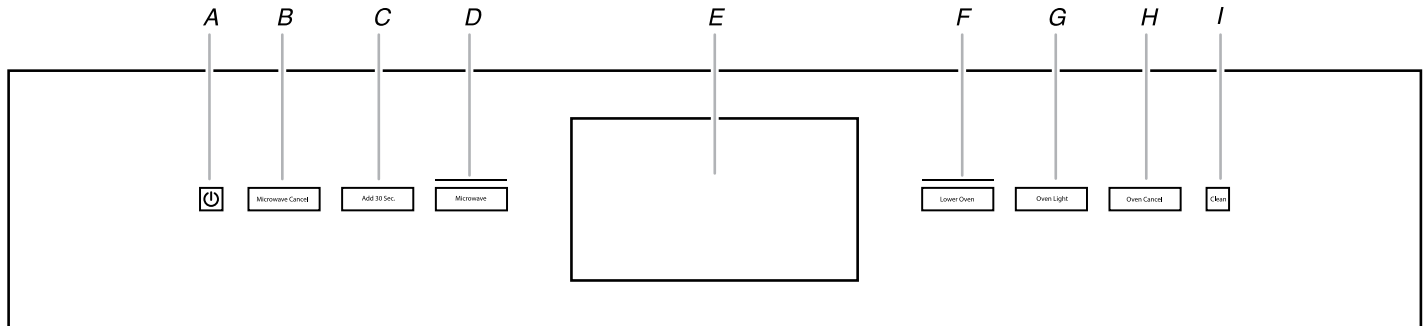
Commande du four à micro-ondes

Ce manuel concerne plusieurs modèles. Le modèle que vous avez peut comporter toutes les caractéristiques énumérées ou seulement certaines d'entre elles. Se reporter à ce manuel ou à la section Foire aux questions (FAQ) de notre site Web sur www.jennair.com pour des instructions plus détaillées. Au Canada, consulter la section du service à la clientèle au www.jennair.ca.

On peut accéder aux commandes du four au moyen du panneau de commande et de l'affichage tactile interactif.

REMARQUE : En raison de la sensibilité du panneau de commande, nous avons fourni des instructions spéciales pour le nettoyage du panneau ainsi que du panneau tactile. Consulter la section « Nettoyage général » du Manuel d'utilisation pour obtenir plus d'informations.

Modèles de fours combinés



- | | | |
|-------------------------------------|-----------------------|-----------------------|
| A. Mise sous tension | D. Four à micro-ondes | G. Lampe du four |
| B. Annulation du four à micro-ondes | E. Affichage | H. Annulation du four |
| C. Add 30 Sec. (Ajouter 30 s) | F. Four inférieur | I. Nettoyage |

Panneau tactile

Le panneau tactile regroupe le menu de commande et les commandes des différentes fonctions. Les touches tactiles sont très sensibles et il suffit d'un léger toucher pour les activer.

Pour plus d'information sur chaque commande, voir leurs sections respectives dans ce manuel.

Guide de bienvenue

Ceci apparaît sur l'affichage la première fois que le four à micro-ondes est mis sous tension. Le Guide de bienvenue permet à l'utilisateur de régler le nouveau four à micro-ondes.

Après chaque sélection, un signal sonore retentit.

1. Une nouvelle fenêtre de bienvenue apparaîtra, la lire puis appuyer sur NEXT (suivant).
2. Sélectionner la langue.
3. Sélectionner l'horloge par défilement des heures jusqu'à la bonne heure avec minutes dans la colonne. Sélectionner ensuite AM/PM ou l'horloge de 24 heures (système des 24 heures). Appuyer sur NEXT (suivant).
4. Choisir d'activer l'heure avancée AUTO SYNC (synchronisation automatique) ou de la désactiver DO NOT ADJUST (ne pas régler). Appuyer sur NEXT (suivant).
5. Saisir la date du jour (MM/JJ/AAAA) en faisant défiler la colonne pour régler le MOIS, le JOUR et l'ANNÉE. Appuyer sur NEXT (suivant).
6. Sélectionner les unités de température. Choisir Fahrenheit ou Celsius. Appuyer sur NEXT (suivant).
7. Sélectionner le thème de l'horloge en faisant défiler la liste jusqu'au réglage désiré. Appuyer sur NEXT (suivant).
REMARQUE : Ceci est l'arrière-plan pour l'affichage d'appui du centre.
8. SI CLOCK ONLY (horloge seulement) a été sélectionné, toucher SAVE (sauvegarder) pour terminer le réglage.
ou
Si une image a été choisie pour le thème d'horloge, toucher l'image désirée, puis SAVE (sauvegarder).

Affichage

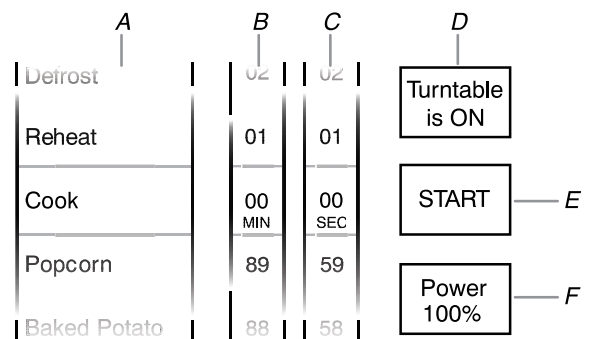
Lorsqu'on utilise le(s) four(s) (alors au mode actif), l'affichage indique la température du four, la (les) source(s) de chaleur et la minuterie si elle est réglée.

Après environ 2 minutes d'inactivité, l'affichage passe au mode veille et le panneau lumineux de l'affichage s'assombrit. Lorsque le four fonctionne, l'affichage reste actif.

Durant la programmation, l'affichage indique les menus et les sélections appropriées pour leur fonction de cuisson respective.

Écran d'affichage

1. L'écran d'affichage tactile est utilisé pour faire des sélections de menu, modifier les réglages et entrer des commandes.



- | | |
|----------------------------------|--|
| A. Mode de cuisson | D. Mise en marche/arrêt du plateau rotatif |
| B. Durée – sélection de minutes | E. Mise en marche du programme de cuisson |
| C. Durée – sélection de secondes | F. Sélection du niveau de puissance |

Les sélections de menu et les ajustements de données sont effectués dans la zone centrale de l'écran et les entrées de commande (Back [retour], More [plus], Start [mise en marche]) sont effectuées par les boutons inférieurs. Les titres et descriptions à l'écran sont affichés dans la partie supérieure de l'écran. Une pression du doigt légère à modérée active le choix de menu.

Affichage du menu

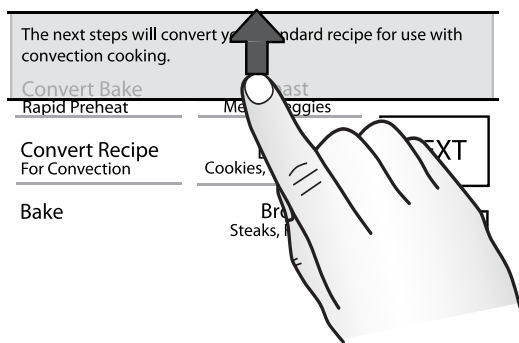
Si le four est éteint, appuyer sur la touche Power (mise sous tension) pour activer le menu. À partir de l'écran d'accueil, tous les programmes de cuisson automatique peuvent être activés; tous les programmes de cuisson manuels peuvent être réglés; les options peuvent être ajustées et les instructions, les directives de préparation et les conseils sont accessibles.

Démonstration de menu

Ce qui suit est un exemple d'une séquence indiquant comment faire cuire une pomme de terre à partir du menu « Built-in Foods » (aliments intégrés).

1. Toucher START (mise en marche) ou MICROWAVE (four à micro-ondes) (sur les modèles de fours combinés).
2. À partir du menu de mode de cuisson, faire défiler la liste pour sélectionner Baked Potato (pomme de terre au four).
3. Utiliser le bouton rotatif de sélection pour sélectionner les quantités programmées (4 maximum).
4. (facultative) Pour régler le degré de cuisson : toucher DONENESS (degré de cuisson), lire l'information à l'écran, puis toucher DONENESS (degré de cuisson). Sélectionner More Done (plus cuit), Suggested (degré de cuisson suggéré) ou Less Done (moins cuit), puis toucher SET (régler).
5. Appuyer sur START (mise en marche).

Démonstration de message déroulant



Il y a certains menus qui affichent un message déroulant. Une fois le message lu, appuyer sur la flèche de direction et la faire glisser vers le haut pour faire disparaître le message.

Kitchen Timer (minuterie de cuisine)

La minuterie de cuisine peut être réglée en heures, en minutes ou en secondes.

REMARQUE : La minuterie de cuisine ne met pas en marche le four et ne l'éteint pas.

Tonalités/sons

Les signaux sonores avertissent l'utilisateur de divers événements :

- Touche numérique valide
- Saisie d'une fonction
- Programme de préchauffage terminé
- Touche numérique invalide
- Fin d'un programme de cuisson
- Lorsque la minuterie est à zéro
- Comprend l'utilisation de la minuterie de cuisine pour des fonctions autres que la cuisson.
- Premier élément du four activé en mode de cuisson.

Tools (outils)

La touche de sélection Tools (outils) permet d'accéder aux fonctions et aux options pour personnaliser dans les commandes électroniques du four. Ces outils permettent de régler l'horloge, d'alterner entre unités Fahrenheit et Celsius pour la température du four, d'activer ou de désactiver les signaux sonores et les messages, d'ajuster le calibrage du four, de choisir la langue et plus. Le mode Sabbath (Sabbat) peut également être programmé en utilisant la touche de sélection Tools (outils).

MODE	SÉLECTIONS DISPONIBLES
Sabbath (Sabbat)	<ul style="list-style-type: none"> ■ Programmer le mode Sabbath (Sabbat)
Mode de démonstration	<ul style="list-style-type: none"> ■ On (marche) ■ Off (désactiver) (par défaut)
Unités de température	<ul style="list-style-type: none"> ■ Celsius ■ Fahrenheit (par défaut)
Langue	<ul style="list-style-type: none"> ■ Français ■ Anglais (par défaut)
Affichage activé/désactivé	<ul style="list-style-type: none"> ■ Affichage désactivé ■ Affichage sombre (par défaut)
Horloge activée/désactivée	<ul style="list-style-type: none"> ■ Horloge désactivée ■ Horloge activée (par défaut)
Luminosité	<ul style="list-style-type: none"> ■ Max ■ Élevée ■ Moyenne (par défaut) ■ Basse ■ Sombre
Sons	<ul style="list-style-type: none"> ■ Touche à utiliser ■ Minuterie et sonnerie (par défaut) ■ Marche ou arrêt de l'alimentation
Thème de l'horloge	<ul style="list-style-type: none"> ■ Textures ■ Fête ■ Gastronomes ■ Horloge uniquement ■ Animation (par défaut) ■ Printemps ■ Été ■ Automne ■ Hiver
Heure et date	<ul style="list-style-type: none"> ■ Heure avancée ■ Style d'horloge ■ Réglage de l'horloge (par défaut) ■ Réglage de la date
Self Clean (autonettoyage)	<ul style="list-style-type: none"> ■ Démarre le programme Self Clean (autonettoyage)
Verrouillage des commandes	<ul style="list-style-type: none"> ■ Appuyer sur Lock (verrouillage) pour verrouiller les commandes
Entrée de chiffres	<ul style="list-style-type: none"> ■ Touche numérique ■ Défilement (par défaut)
Sonde	<ul style="list-style-type: none"> ■ Pour le mode Probe Cooking (cuisson avec sonde)

MODE	SÉLECTIONS DISPONIBLES
Calibration de température	<ul style="list-style-type: none"> ■ +35 °F à -35 °F ■ +20 °C à -20 °C
Calibration tactile	■ Pour calibrer l'écran tactile
Info dépannage	■ Numéros de modèle et de série
Info juridique	■ Info de licence
Restauration paramétrage d'usine	■ Restauration du paramétrage d'usine par défaut

Verrouillage des commandes

Le verrouillage des commandes désactive les touches du panneau de commande pour éviter l'utilisation involontaire des fours. Si le verrouillage des commandes a été réglé avant une panne de courant, la fonction reste activée après cette panne de courant. Lorsque le panneau de commande est verrouillé, seule la touche de mise sous/hors tension fonctionne.

Le verrouillage des commandes est pré-réglé désactivé, mais peut être activé.

Pour activer le verrouillage des commandes :

1. À partir du menu Tools (outils), appuyer sur BUTTON LOCK (verrouillage des commandes).
2. Appuyer sur LOCK (verrouillage) pour activer le mode de verrouillage des commandes.

REMARQUE : L'écran tactile revient au mode veille et un message de commande verrouillée s'affiche.

Pour désactiver le verrouillage des commandes :

1. Appuyer sur la touche Power (mise sous tension), puis suivre les instructions à l'écran.

REMARQUE : Le four génère une séquence de formes aléatoires qui doivent être appuyées en ordre selon l'affichage à l'écran.

Commande de la température du four

IMPORTANT : Ne pas utiliser de thermomètre pour mesurer la température du four. Les éléments chauffants s'allument et s'éteignent en alternance pour maintenir une température constante, mais leur température peut varier légèrement dans un sens ou dans l'autre du fait de cette alternance. L'ouverture de la porte du four affecte la mise en marche alternée des éléments et influence la température.

Le four fournit des températures précises et a été testé avec soin à l'usine. Toutefois, il peut cuire plus rapidement ou plus lentement que votre four précédent, et ainsi entraîner des différences de cuisson ou de brunissage. Si nécessaire, le calibrage de la température peut se régler en degrés Fahrenheit ou Celsius.

Sur les modèles de fours doubles, le four supérieur et le four inférieur peuvent chacun être calibrés indépendamment.

Un signe moins signifie que le four sera plus froid du nombre de degrés affiché. L'absence de signe moins signifie que le four sera plus chaud du nombre de degrés affiché. Utiliser le tableau suivant comme guide.

REMARQUE : Cet affichage se poursuit pour indiquer la température du réglage d'origine, il n'indiquera pas le décalage de calibration. Par exemple, si la température a été réglée à 350 °F (177 °C) et calibrée à -20, la température affichée sera toujours 350 °F (177 °C).

AJUSTEMENT EN °F (CHANGEMENT AUTOMATIQUE EN °C)	CUIT LES ALIMENTS
10 °F (6 °C)	... un peu plus
20 °F (12 °C)	... modérément plus
30 °F (18 °C)	... beaucoup plus
0 °F (0 °C)	... réglage par défaut
-10 °F (-6 °C)	... un peu moins
-20 °F (-12 °C)	... modérément moins
-30 °F (-18 °C)	... beaucoup moins

Mode Sabbath (Sabbat)

Le mode Sabbath (Sabbat) permet au four de rester sur un réglage de cuisson au four jusqu'à ce qu'on l'éteigne. Un mode Sabbath (Sabbat) minuté peut également être programmé pour garder le four allumé seulement pendant une partie du mode Sabbath (Sabbat).

Lorsque le mode Sabbath (Sabbat) est programmé, les touches actives sont la touche Power (mise sous tension) et les touches Cancel (annulation).

Lorsque la porte du four est ouverte ou fermée, la lampe du four ne s'allume ou ne s'éteint pas et les éléments de chauffage ne s'allument ou ne s'éteignent pas immédiatement.

Si une panne de courant de moins de 1 seconde se produit lorsque le mode Sabbath (Sabbat) est programmé, le four restera au mode Sabbath (Sabbat) et poursuivra la cuisson.

Si une panne de courant dure plus longtemps que quelques secondes, le(s) four(s) retournera/retourneront à un état inactif et le mode Sabbath (Sabbat) ne sera plus actif. Pour les modèles de fours doubles, les températures et les minuteries de cuisson du four supérieur et du four inférieur peuvent être réglées indépendamment. Si une minuterie de cuisson est réglée, le compte à rebours n'apparaît pas. La minuterie apparaît fixe au temps réglé.

Activation :

1. Appuyer sur la touche Power (mise sous tension), puis appuyer sur TOOLS (outils).
2. À partir du menu de mode, sélectionner « Sabbath » (Sabbat) et appuyer sur NEXT (suivant).
3. Appuyer sur ON (activer), puis appuyer sur SETUP (configuration).
REMARQUE : L'état programmé du ou des fours s'affiche.
4. Appuyer sur CHANGE (changer).
5. Pour les fours simples, passer à l'étape 6. Pour les fours doubles, sélectionner le four désiré, puis appuyer sur NEXT (suivant).
6. Sélectionner la température du four désiré et appuyer sur NEXT (suivant).
7. (Facultatif) Régler le temps de cuisson (00:00) et appuyer sur SET (régler).
ou
Appuyer sur SKIP TIMER (passer la minuterie).
8. Pour les fours simples, appuyer sur START (mise en marche). Pour les fours doubles, appuyer sur START (mise en marche) pour commencer le mode Sabbath (Sabbat) ou appuyer sur CHANGE (changer) pour modifier la programmation actuelle ou pour programmer l'autre four.

Désactivation :

Le mode Sabbath (Sabbat) peut être désactivé pour toutes les cavités. Il suffit d'appuyer sur la touche Power (mise sous tension).

Pour les fours simples, le mode Sabbath (Sabbat) peut également être désactivé en appuyant sur Cancel (annulation).

Pour les fours doubles, si les deux fours fonctionnent, appuyer sur la touche Cancel (annulation) d'un four pour annuler le mode des deux fours et pour éteindre le four sélectionné. L'autre four revient au mode de cuisson régulier.

Cuisson au four différée en mode Sabbath (Sabbat) :

⚠ AVERTISSEMENT

Risque d'empoisonnement alimentaire

Ne pas laisser des aliments reposer plus d'une heure avant ou après la cuisson.

Le non-respect de cette instruction peut causer un empoisonnement alimentaire ou une maladie.

Pour les modèles de fours doubles, les températures et les minuteries de cuisson du four supérieur et du four inférieur peuvent être réglées indépendamment.

Si une minuterie de cuisson est réglée, le compte à rebours n'apparaît pas. La minuterie apparaît fixe au temps réglé.

Activation :

1. Appuyer sur la touche Power (mise sous tension), puis appuyer sur TOOLS (outils).
2. À partir du menu de mode, sélectionner « Sabbath » (Sabbat) et appuyer sur NEXT (suivant).
3. Appuyer sur ON (activer), puis appuyer sur SETUP (configuration).
REMARQUE : L'état programmé du ou des fours s'affiche.
4. Appuyer sur CHANGE (changer).
5. Pour les fours simples, passer à l'étape 6. Pour les fours doubles, sélectionner le four désiré, puis appuyer sur NEXT (suivant).
6. Sélectionner la température du four désiré et appuyer sur NEXT (suivant).
7. (Facultatif) Régler le temps de cuisson (00:00) et appuyer sur SET (régler).
ou
Appuyer sur SKIP TIMER (passer la minuterie).
8. Appuyer sur DELAY (différer) et régler l'heure de « Mise en marche de cuisson à ».
REMARQUE : Si une heure de cuisson est réglée dans les étapes précédentes, l'heure « Arrêt de cuisson à » est calculée basée sur l'heure de cuisson. Si la minuterie n'est pas réglée, le mode Sabbath (Sabbat) continuera à fonctionner jusqu'à ce qu'il soit annulé.
9. Appuyer sur SET (régler).
10. Réviser les réglages et appuyer sur START (mise en marche) pour démarrer le programme de cuisson.
REMARQUE : Une fois que la minuterie s'est écoulée; l'ouverture et la fermeture de la porte du four désactiveront le mode Sabbath (Sabbat).

Changer la température

Les températures du four peuvent être modifiées en mode Sabbath (Sabbat) en appuyant sur les boutons -25 °F (-5 °C) ou +25 °F (+5 °C). Appuyer sur ces boutons n'effectuera aucune modification à l'écran et aucun signal sonore ne retentira.

Par exemple, appuyer sur le bouton +25 °F (+5 °C) 3 fois augmente la température de la cavité du four de +75 °F (+15 °C); toutefois, la température réglée de la cavité du four restera à l'écran.

REMARQUE : Pour les modèles à double four, la température de la cavité du four peut être réglée individuellement.

Menu principal

À partir du menu principal, tous les programmes de cuisson automatique peuvent être activés; tous les programmes de cuisson à réglage manuel peuvent être programmés; les réglages peuvent être ajustés et les instructions, les directives de préparation et les conseils sont accessibles.

Ce manuel couvre différents modèles. Le four que vous avez acheté peut comporter certains de ces éléments. L'emplacement et l'apparence des caractéristiques illustrées peuvent ne pas correspondre à ceux de votre modèle.

Menu Tools (outils)

Le four à micro-ondes vous donne la possibilité de contrôler plusieurs des réglages par défaut et d'accéder à des informations au moyen de l'affichage à l'écran. Parmi ceux-ci : Horloge, Signal sonore, Apparence, Langue, Unités de température, Dépannage et Restauration du paramétrage d'usine par défaut.

Ce manuel couvre différents modèles. Le four que vous avez acheté peut comporter certains de ces éléments. L'emplacement et l'apparence des caractéristiques illustrées peuvent ne pas correspondre à ceux de votre modèle.

Pour accéder au menu d'outils :

1. Appuyer sur TOOLS (outils).
2. À partir du menu Tools (outils), faire défiler la liste au choix d'outils désirés.
3. Appuyer sur la touche de réglage rapide qui correspond au choix désiré.

MODE	SÉLECTIONS DISPONIBLES
Sabbath (Sabbat)	■ Programmer le mode Sabbath (Sabbat)
Mode de démonstration	■ On (marche) ■ Off (désactiver) (par défaut)
Unités de température	■ Celsius ■ Fahrenheit (par défaut)
Langue	■ Français ■ Anglais (par défaut)
Affichage activé/désactivé	■ Affichage désactivé ■ Affichage sombre (par défaut)
Horloge activée/désactivée	■ Horloge désactivée ■ Horloge activée (par défaut)
Luminosité	■ Max ■ Élevée ■ Moyenne (par défaut) ■ Basse ■ Sombre

MODE	SÉLECTIONS DISPONIBLES
Sons	<ul style="list-style-type: none"> ■ Touche à utiliser ■ Minuterie et sonnerie (par défaut) ■ Marche ou arrêt de l'alimentation
Thème de l'horloge	<ul style="list-style-type: none"> ■ Textures ■ Fête ■ Gastronomes ■ Horloge uniquement ■ Animation (par défaut) ■ Printemps ■ Été ■ Automne ■ Hiver
Heure et date	<ul style="list-style-type: none"> ■ Heure avancée ■ Style d'horloge ■ Réglage de l'horloge (par défaut) ■ Réglage de la date
Verrouillage des commandes	<ul style="list-style-type: none"> ■ Appuyer sur Lock (verrouillage) pour verrouiller les commandes
Entrée de chiffres	<ul style="list-style-type: none"> ■ Touche numérique ■ Défilement (par défaut)
Calibration tactile	<ul style="list-style-type: none"> ■ Pour calibrer l'écran tactile
Info dépannage	<ul style="list-style-type: none"> ■ Numéros de modèle et de série
Info juridique	<ul style="list-style-type: none"> ■ Info de licence
Restauration paramétrage d'usine	<ul style="list-style-type: none"> ■ Restauration du paramétrage d'usine par défaut

Informations de dépannage

1. À partir du menu Tools (outils), faire défiler la liste jusqu'à ce que Service Info (Informations de dépannage) apparaisse.
2. Toucher TIPS (conseils).
3. Le numéro de téléphone, le site Web, le numéro de modèle et le numéro de série pour l'assistance technique sont affichés à l'écran.
4. Consulter le Guide de démarrage rapide pour les coordonnées.

Rétablir le paramétrage d'usine

1. À partir du menu Tools (outils), faire défiler la liste jusqu'à ce que Restore Factory Defaults (restauration du paramétrage d'usine par défaut) apparaisse.
2. Toucher TIPS (conseils), lire le message, puis faire glisser la flèche de message vers le haut.
3. Toucher RESET (restauration) pour la restauration du paramétrage d'usine par défaut.
4. Les réglages suivants seront perdus : Langue, Unités de température, Réglages de l'horloge, Date et Apparence d'écran. Le guide de bienvenue apparaît pour aider l'utilisateur à réinitialiser ces réglages. Voir la section « Guide de bienvenue » pour plus de renseignements.

Kitchen Timer (minuterie de cuisine)

Il s'agit d'une minuterie indépendante sans rapport avec les minuteries de cuisson.

REMARQUE : La minuterie de cuisine apparaît comme un menu déroulant. Pour enlever le message de minuterie, faire glisser la flèche du message vers le haut. La minuterie continuera son compte à rebours même si elle n'est pas visible.

1. Toucher TIMER (minuterie) (KITCHEN TIMER [minuterie de cuisine] pour les fours à micro-ondes dédiés) à tout moment.
2. Entrer la durée de cuisson souhaitée (00:00:00) à l'aide du bouton rotatif.
3. Toucher Back (retour) près de Cancel (annulation) la minuterie ou toucher START (mise en marche).
4. Pour modifier TIMER/KITCHEN TIMER (minuterie/minuterie de cuisine), appuyer sur la minuterie de compte à rebours, utiliser le bouton rotatif de sélection pour régler de nouveau l'heure, les minutes et les secondes, puis appuyer sur SET (régler).
ou
5. Pour annuler la minuterie, appuyer sur la minuterie de compte à rebours puis sur OFF (arrêt). Ceci annule la TIMER/KITCHEN TIMER (minuterie/minuterie de cuisine) et le menu de mode de cuisson s'affiche.
6. Lorsque le décompte de la minuterie de cuisine est terminé, un signal sonore retentit, suivi de signaux de rappel à intervalles de 1 minute.

Verrouillage des commandes

La caractéristique de verrouillage des commandes permet le verrouillage de tous les boutons. Pour activer le verrouillage des commandes :

1. À partir du menu Tools (outils), appuyer sur BUTTON LOCK (verrouillage des commandes).
2. Appuyer sur BUTTON LOCK (verrouillage des commandes) pour activer le mode Verrouillage des commandes.

REMARQUE : L'écran tactile revient au mode veille et un message de commande verrouillée s'affiche.

Pour désactiver le verrouillage des commandes :

1. Appuyer sur la touche Power (puissance), puis suivre les instructions à l'écran.
2. Le module de commande se déverrouille et le menu de modes de cuisson s'affiche une fois que les formes ont été appuyées en ordre comme affiché à l'écran.

REMARQUE : L'outil Button Lock (Verrouillage des commandes) doit être réglé chaque fois que cette fonctionnalité est utilisée.

Connexion Wi-Fi (sur certains modèles)

Le four peut comporter une connectivité Wi-Fi intégrée. Pour qu'elle fonctionne, il suffit de la joindre au réseau domestique sans fil. Pour de l'information concernant le réglage de la connectivité, son activation ou sa désactivation, la réception des notifications importantes, et se profiter des caractéristiques disponibles, se référer au Guide de démarrage rapide de la connectivité Wi-Fi du four qui est inclus avec le four.

Une fois le processus d'installation terminé pour la connectivité Wi-Fi, l'accès aux caractéristiques donnera une nouvelle liberté à la cuisson. Les caractéristiques offertes peuvent varier selon les mises à jour du microprogramme.

REMARQUE : La connectivité Wi-Fi peut être interrompue ou perdue au cours d'une fonction de cuisson au four à micro-ondes. La connectivité Wi-Fi est rétablie dès que la fonction de cuisson au four à micro-ondes est terminée.

Utilisation au four

Des odeurs et de la fumée sont normales lorsque le four est utilisé les premières fois et lorsqu'il est très sale.

Lors de l'utilisation du four, les éléments de chauffage ne sont pas actifs, mais fonctionnent par intermittence lors du fonctionnement du four.

IMPORTANT : Les émanations de fumée peuvent mettre en danger la santé de certains oiseaux qui y sont extrêmement sensibles. L'exposition aux émanations peut entraîner la mort de certains oiseaux. Toujours déplacer les oiseaux dans une autre pièce fermée et bien aérée.

Si la porte du four est ouverte pendant un mode de cuisson pendant environ 60 secondes, le ventilateur de refroidissement commence à fonctionner à une plus grande vitesse. Il peut produire plus de bruit pendant cette période. Lorsque la porte du four est fermée, le ventilateur reprendra sa basse vitesse après environ 60 secondes.

Papier d'aluminium

IMPORTANT : Pour éviter des dommages permanents au fini du fond du four, ne pas recouvrir le fond avec du papier d'aluminium ou un revêtement quelconque.

- Pour obtenir les meilleurs résultats de cuisson, ne pas couvrir entièrement la grille d'aluminium, car l'air doit pouvoir circuler librement.
- Pour récupérer les renversements, placer du papier d'aluminium sur la grille sous le plat. S'assurer que l'aluminium est au moins 1/2 po (1,3 cm) plus grand que le plat et que les bords sont relevés.

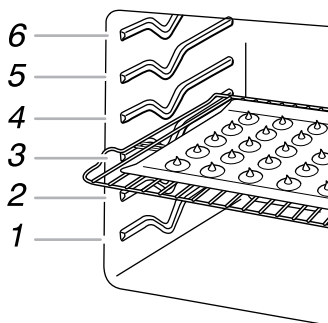
Position des grilles et des ustensiles de cuisson au four

IMPORTANT : Afin d'éviter des dommages permanents au fini en porcelaine, ne pas placer d'aliments ou d'ustensiles de cuisson au four directement sur la porte ou sur le fond du four.

Grilles

- Placer les grilles avant d'allumer le four.
- Ne pas installer les grilles lorsque des ustensiles de cuisson au four se trouvent dessus.
- S'assurer que les grilles sont horizontales.

Pour déplacer une grille, la tirer jusqu'à la butée d'arrêt, soulever le rebord avant et la tirer pour la sortir du four. Se servir de l'illustration et des tableaux suivants comme guide.



Positionnement des grilles et des ustensiles de cuisson au four

Positions de grille – Four supérieur et inférieur Broiling (Cuisson au gril)

ALIMENT	POSITION DE LA GRILLE
Pour la plupart des cuissons au gril	6

Pour qu'une galette à hamburger soit bien saisie à l'extérieur tout en restant bien tendre à l'intérieur, utiliser une grille plate en position 6. On doit cuire le 1er côté pendant environ 3 minutes. La cuisson du 2e côté devrait prendre entre 3 et 4 minutes. Une légère fumée peut se dégager durant la cuisson au gril.

Cuisson traditionnelle

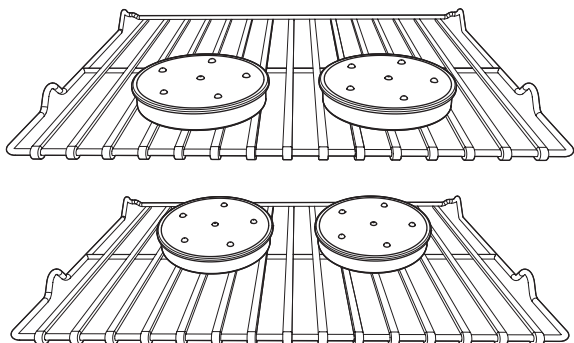
ALIMENT	POSITION DE LA GRILLE
Gros rôtis, dindes, gâteaux des anges, gâteaux Bundt, pains éclairs, tartes	1 ou 2
Pains à la levure, mets en sauce, viande, volaille	2
Biscuits, biscotins, muffins et gâteaux	2 ou 3 pour une cuisson au four sur une seule grille; 2 et 5 pour une cuisson au four sur plusieurs grilles

Cuisson par convection

RÉGLAGE DU FOUR	NOMBRE DE GRILLES UTILISÉES	POSITION(S) DE LA GRILLE
Cuisson au four avec préchauffage rapide	1	3
Cuisson au four par convection avec préchauffage rapide	1	3
Cuisson au four par convection	1	1, 2 ou 3
Cuisson au four par convection	2	2 et 5
Cuisson au four par convection	3	1, 3 et 5
Rôtissage par convection	1	1 et 2
Cuisson au gril par convection	1	4, 5 et 6

Cuisson au four de gâteaux sur 2 grilles

Pour des résultats optimaux lors de la cuisson au four de gâteaux sur 2 grilles, utiliser la fonction cuisson au four et les grilles en positions 2 et 5. Placer les gâteaux sur les grilles comme indiqué. Prévoir un espace d'au moins 2 po (5 cm) entre le bord avant des grilles et les gâteaux placés à l'avant.



Cuisson au four de biscuits sur 2 grilles

Pour des résultats optimaux lors de la cuisson au four de biscuits sur 2 grilles, utiliser la fonction Convection Bake (cuisson au four par convection) et placer les grilles en positions 2 et 5.

Ustensiles de cuisson

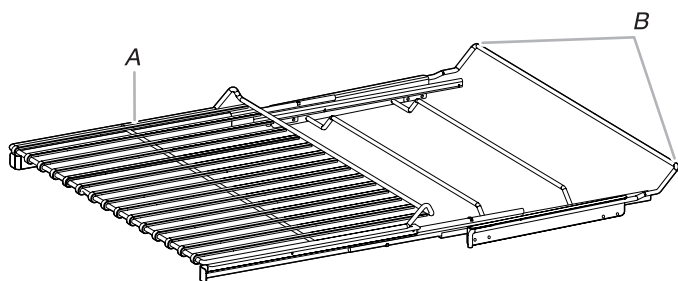
L'air chaud doit pouvoir circuler autour de l'aliment pour le cuire uniformément. Pour de meilleurs résultats, laisser un espace de 2 po (5 cm) entre les ustensiles de cuisson et les parois du four. Utiliser le tableau suivant comme guide.

NOMBRE D'USTENSILES	POSITION SUR LA GRILLE
1	Centre de la grille
2	Côte à côte ou légèrement décalés
3 ou 4	Voir l'illustration de positions de grille dans cette section pour connaître le positionnement recommandé pour les plats.

Grille coulissante déployante

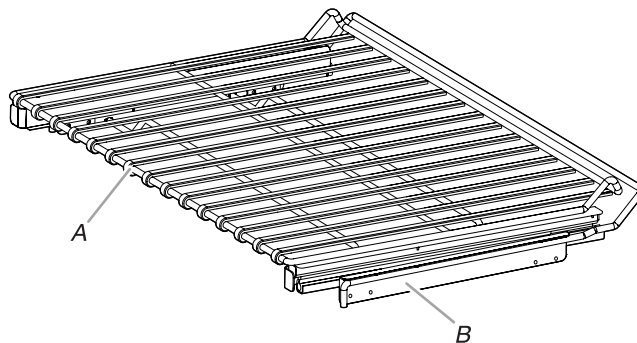
La grille déployante offre un accès facile à l'utilisateur pour le positionnement et le retrait des aliments. Elle peut être utilisée aux positions de grille 1 à 6.

Position déployée



A. Grille coulissante déployante
B. Support coulissant

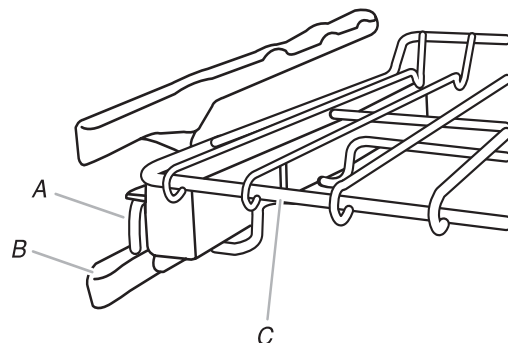
Position rétractée et emboîtée



A. Grille coulissante déployante
B. Support coulissant

Retrait de la grille déployante :

1. Enfoncer la grille complètement en la faisant glisser jusqu'à ce qu'elle soit rétractée et emboîtée sur le support coulissant.
2. À 2 mains, soulever l'avant de la grille et pousser le support coulissant vers la paroi arrière du four jusqu'à ce qu'il repose sur les rails pour grille. L'avant de la grille et du support coulissant doivent se trouver plus haut que l'arrière.



A. Support coulissant
B. Guide de grille
C. Grille coulissante déployante

3. Retirer la grille et le support coulissant.

Réinstallation de la grille déployante :

1. À 2 mains, saisir l'avant de la grille rétractée et du support coulissant. Placer la grille rétractée et le support coulissant sur le rail pour grille.
2. À 2 mains, soulever l'avant de la grille et du support coulissant en même temps.
3. Pousser lentement la grille et le support coulissant vers l'arrière du four jusqu'à ce que l'arrière de la grille chevauche l'extrémité du rail pour grille.

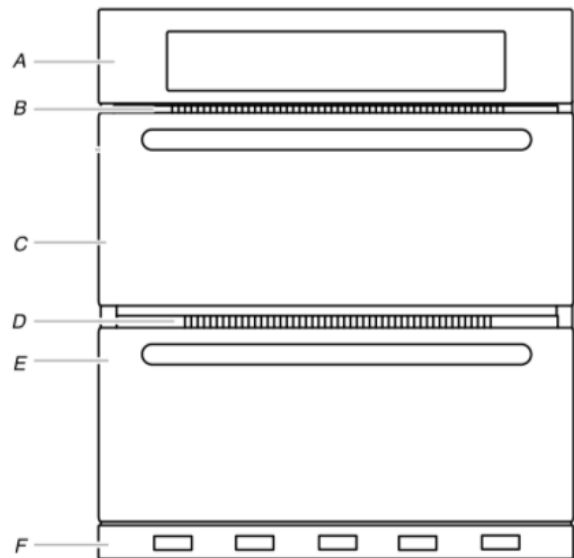
Afin d'éviter d'endommager les supports coulissants, ne pas placer plus de 25 lb (11,4 kg) sur la grille. Ne pas nettoyer la grille coulissante déployante au lave-vaisselle. Ceci pourrait enlever le lubrifiant de la grille et nuire à ses facultés de glissement. Consulter la section « Nettoyage général » du Manuel d'utilisation pour obtenir plus d'instructions.

Ustensiles de cuisson

Le matériau des ustensiles de cuisson affecte les résultats de cuisson. Suivre les recommandations du fabricant et utiliser le format d'ustensiles recommandé dans la recette. Utiliser le tableau suivant comme guide.

USTENSILES DE CUISSON/ RÉSULTATS	RECOMMANDATIONS
Aluminium légèrement coloré <ul style="list-style-type: none"> ■ Croûtes légèrement dorées ■ Brunissage uniforme 	<ul style="list-style-type: none"> ■ Utiliser la température et la durée recommandées dans la recette.
Aluminium foncé et autres ustensiles de cuisson avec fini foncé, terne ou antiadhésif <ul style="list-style-type: none"> ■ Croûtes brunes, croustillantes 	<ul style="list-style-type: none"> ■ Peut nécessiter de réduire légèrement les températures de cuisson au four. ■ Utiliser la durée de cuisson suggérée. ■ Pour les tartes, les pains et les mets en sauce, utiliser la température et la durée recommandées dans la recette. ■ Placer la grille au centre du four.
Tôles à biscuits ou moules à cuisson à isolation thermique <ul style="list-style-type: none"> ■ Brunissage faible ou non existant à la base 	<ul style="list-style-type: none"> ■ Suivre les recommandations de positionnement de grille dans la section « Positionnement des grilles et ustensiles de cuisson au four ». ■ Peut nécessiter d'augmenter la durée de cuisson.
Acier inoxydable <ul style="list-style-type: none"> ■ Croûtes légèrement dorées ■ Brunissage irrégulier 	<ul style="list-style-type: none"> ■ Peut nécessiter d'augmenter la durée de cuisson.
Grès/pierre de cuisson <ul style="list-style-type: none"> ■ Croûtes croustillantes 	<ul style="list-style-type: none"> ■ Suivre les instructions du fabricant.
Verrerie ou céramique allant au four <ul style="list-style-type: none"> ■ Croûtes brunes, croustillantes 	<ul style="list-style-type: none"> ■ Peut nécessiter de réduire légèrement les températures de cuisson au four.

Événements du four



- | | |
|------------------------|--------------------------------|
| A. Panneau de commande | D. Événement du four |
| B. Événement du four | E. Four inférieur |
| C. Four supérieur | F. Événement du four inférieur |

Les événements du four ne doivent être ni obstrués ni couverts, car ils permettent l'introduction d'air frais dans le système de refroidissement et permettent la ventilation d'air chaud. Le fait d'obstruer ou de couvrir les événements nuit à la circulation adéquate de l'air et affecte les résultats de cuisson, de nettoyage et de refroidissement.

Préchauffage et température du four

Préchauffage

Au début d'un programme de cuisson au four ou de Convection Bake (cuisson au four par convection), le four commence par un préchauffage une fois la touche Start (mise en marche) enfoncée. Le four atteint 350 °F (177 °C) en 12 à 18 minutes environ lorsque toutes les grilles fournies avec le four sont à l'intérieur de la cavité du four. Pour atteindre une température plus élevée, le préchauffage est plus long. Le programme de préchauffage augmente rapidement la température du four. La température réelle du four dépasse alors la température programmée, pour compenser la chaleur perdue à l'ouverture du four pour y introduire le plat à cuire. Ainsi, le four entame la cuisson à la température correcte après y avoir placé le plat. Placer les aliments au four lorsque le signal sonore de préchauffage retentit. Ne pas ouvrir la porte du four pendant le préchauffage tant que le signal sonore n'a pas retenti.

REMARQUE : Si la minuterie de cuisson est réglée et que la porte du four est ouverte durant le préchauffage, la minuterie démarre automatiquement.

Température du four

En cours d'utilisation, les éléments chauffants du four s'allument et s'éteignent par intermittence pour maintenir une température constante. Ils peuvent chauffer ou refroidir légèrement à tout moment du fait de ce fonctionnement intermittent. L'ouverture de la porte du four en cours d'utilisation laisse échapper l'air chaud et refroidit le four, ce qui peut modifier la durée nécessaire et le résultat de la cuisson. Pour suivre l'avancement de la cuisson, il est conseillé d'utiliser l'éclairage du four.

Cuisson au four et rôtissage

IMPORTANT : Le ventilateur de convection et l'élément de convection peuvent se mettre en marche durant la fonction de cuisson au four pour améliorer la performance et la distribution de chaleur.

Le four atteint 350 °F (177 °C) en 12 à 18 minutes environ lorsque toutes les grilles du four sont à l'intérieur de la cavité. Le programme de préchauffage augmente rapidement la température à l'intérieur de la cavité du four. Pour atteindre une température plus élevée, le préchauffage est plus long. Les facteurs qui peuvent influencer la durée de préchauffage incluent la température ambiante, la température du four et le nombre de grilles installées. Pour réduire la durée de préchauffage, on peut retirer les grilles inutilisées avant de préchauffer le four. La température réelle du four dépasse alors la température programmée, pour compenser la chaleur perdue à l'ouverture du four pour y introduire le plat à cuire. Ainsi, le four entame la cuisson à la température correcte après y avoir placé le plat. Placer les aliments au four lorsque le signal sonore de préchauffage retentit. Ne pas ouvrir la porte du four pendant le préchauffage tant que le signal sonore n'a pas retenti.

Durant la cuisson au four ou le rôtissage, les éléments de cuisson au four et de cuisson au grill s'allument et s'éteignent par intermittence afin de maintenir la température du four.

Selon le modèle, si la porte du four est ouverte pendant la cuisson au four ou le rôtissage, les éléments chauffants (cuisson au four et au grill) s'éteignent environ 30 secondes après l'ouverture de la porte. Ils se mettront de nouveau en marche environ 30 secondes après la fermeture de la porte.

Cuisson au grill

Broiling (cuisson au grill) utilise la chaleur radiante directe pour cuire les aliments.

L'élément s'allume et s'éteint par intermittence pour maintenir la température du four.

REMARQUE : Aucun préchauffage n'est requis pour la fonction Broiling (cuisson au grill).

IMPORTANT : Fermer la porte pour une température de cuisson au grill adéquate.

Si la porte du four est ouverte pendant la cuisson au grill, l'élément de cuisson au grill s'éteint au bout d'environ 30 secondes. Lorsque la porte du four est refermée, les éléments sont réactivés environ 30 secondes plus tard.

- Pour de meilleurs résultats, utiliser une lèchefrite et une grille. La grille est conçue pour laisser s'écouler les jus et aider à éviter les éclaboussures et la fumée.
- Pour que l'écoulement puisse se faire correctement, ne pas recouvrir la grille de papier d'aluminium. Le fond de la lèchefrite peut être garni de papier d'aluminium pour en faciliter le nettoyage.
- Enlever l'excès de graisse pour réduire les éclaboussures. Entailler le gras résiduel sur les côtés pour éviter que la viande ne se recroqueville.
- Sortir la grille jusqu'à la butée d'arrêt avant de tourner ou d'enlever les aliments. Utiliser une pince pour tourner les aliments et éviter la perte de jus. Il est possible qu'il ne soit pas nécessaire de tourner les coupes très minces de poisson, de volaille ou de viande.
- Après la cuisson au grill, sortir la lèchefrite du four en même temps que l'aliment. Les jus de cuisson cuiront sur la lèchefrite si on la laisse dans le four encore chaud et rendront le nettoyage plus difficile.

Convection

Dans un four à convection, l'air chaud déplacé par ventilateur distribue la chaleur d'une manière plus uniforme. Ce déplacement de l'air chaud aide à maintenir une température uniforme dans tout le four, permettant ainsi de cuire les aliments plus uniformément tout en conservant leur humidité naturelle à l'intérieur.

On peut cuire la plupart des aliments au mode de cuisson au four par convection en baissant la température de cuisson de 25 °F (14 °C). La durée de cuisson peut être considérablement réduite lorsqu'on utilise le Convection Roast (rôtissage par convection), surtout pour les grosses dindes et les rôtis.

- Il est important de ne pas couvrir les aliments avec des couvercles ou du papier d'aluminium de telle sorte que la surface reste exposée au déplacement de l'air, permettant ainsi le brunissage et le croustillant.
- Éviter au maximum la perte de chaleur en ouvrant la porte du four seulement lorsque c'est nécessaire. Pour suivre l'avancement de la cuisson, il est conseillé d'utiliser l'éclairage du four.
- Choisir des tôles à biscuits sans bords et des plats de rôtissage à contour plus bas pour permettre à l'air de circuler librement autour de l'aliment.
- Vérifier la cuisson des produits de boulangerie quelques minutes avant le temps de cuisson minimal, avec un cure-dents par exemple.
- Utiliser un thermomètre à viande ou la sonde pour déterminer le degré de cuisson des viandes et de la volaille. Vérifier la température du porc et de la volaille à 2 ou 3 endroits.

Convection Bake (cuisson au four par convection)

La cuisson par convection utilise l'élément de convection et le ventilateur.

- Utiliser la grille de convection. Le placer sur le plateau rotatif.
- Utiliser des gants isolants, car la porte et les grilles deviendront chaudes.

Utilisation de Convection Bake (cuisson au four par convection) :

1. Appuyer sur le bouton POWER (puissance) ou sur le bouton MICROWAVE (four à micro-ondes) (sur les modèles de fours combinés).
2. À partir du menu de mode de cuisson, sélectionner Convection Bake (cuisson au four par convection).
3. En utilisant le bouton rotatif de sélection, sélectionner la température du four à micro-ondes, puis appuyer sur START (mise en marche).
4. (facultative) Lorsque la minuterie du four à micro-ondes est sélectionnée, l'option WHEN DONE (cuisson terminée) apparaît. Cette option permet de sélectionner le comportement du four à micro-ondes à la fin du programme de cuisson actuel. Choisir Keep Warm (maintien au chaud), Hold Temp (maintien de la température) ou MW Off (M-O désactivé). Keep Warm (maintien au chaud) fait fonctionner le four à micro-ondes à 10 % de sa puissance pendant 60 minutes, Hold Temp (maintien de la température) maintient le programme de cuisson sélectionné après la fin du décompte de la minuterie et MW Off (M-O désactivé) désactive le programme de cuisson aux micro-ondes à la fin du décompte de la minuterie.
REMARQUE : La température par défaut est de 325 °F (163 °C). Si activés, les signaux sonores de fin de programmes se font entendre.
5. (facultative) À la fin du programme de cuisson, toucher le bouton ADD 30 SEC (ajouter 30 sec). Ceci permet d'ajouter 30 secondes au temps de cuisson.

- Appuyer sur MICROWAVE CANCEL (annulation du four à micro-ondes) pour éteindre le four.

Convect Roast (rôtissage par convection)

La fonction de rôtiage utilise l'élément de convection avec ou sans la puissance des micro-ondes. La fonction de rôtiage nécessite la saisie d'une durée et d'une température (et la puissance des micro-ondes si désirée). Le niveau de puissance du four à micro-ondes le plus élevé pouvant être utilisé est de 30 %.

- Utiliser la grille de convection. Le placer sur le plateau rotatif.
- Utiliser des gants isolants, car la porte et les grilles deviendront chaudes.

Utilisation du Convect Roast (rôtissage par convection) :

- Appuyer sur le bouton POWER (puissance) ou sur le bouton MICROWAVE (four à micro-ondes) (sur les modèles de fours combinés).
- À partir du menu de mode de cuisson, appuyer sur Convect Roast (rôtissage par convection).
- En utilisant le bouton rotatif de sélection, sélectionner la température du four.
REMARQUE : La température par défaut est 325 °F (163 °C), et le niveau de puissance du four à micro-ondes est 0 %.
- Appuyer sur START (mise en marche).
ou
- Pour régler la puissance, toucher POWER (puissance), sélectionner un nouveau niveau de puissance, toucher SET (régler) (le réglage peut se situer entre 0 % et 30 %), puis toucher START (mise en marche).
- Pour saisir la durée de cuisson, appuyer sur MW TIMER (Minuterie M-O) au début du programme de cuisson, utiliser le bouton rotatif de sélection pour sélectionner une durée de cuisson (00:00:00), puis appuyer sur START (mise en marche). La durée maximale est 11:59:00.
Si activés, les signaux sonores de fin de programme se font entendre.
- Lorsque la minuterie du four à micro-ondes est sélectionnée, l'option WHEN DONE (cuisson terminée) apparaît. Cette option permet de sélectionner le comportement du four à micro-ondes à la fin du programme de cuisson actuel. Choisir Keep Warm (maintien au chaud), Hold Temp (maintien de la température) ou MW Off (M-O désactivé). Keep Warm (maintien au chaud) fait fonctionner le four à micro-ondes à 10 % de sa puissance pendant 60 minutes, Hold Temp (maintien de la température) maintient le programme de cuisson sélectionné après la fin du décompte de la minuterie et MW Off (M-O désactivé) désactive le programme de cuisson aux micro-ondes à la fin du décompte de la minuterie. Lorsque l'heure d'arrêt est atteinte, le four maintient la température ou se comporte comme indiqué dans le menu When Done (cuisson terminée).
- (facultative) À la fin du programme de cuisson, toucher le bouton ADD 30 SEC (ajouter 30 sec). Ceci permet d'ajouter 30 secondes au temps de cuisson.
- Appuyer sur MICROWAVE CANCEL (annulation du four à micro-ondes) pour éteindre le four.

Cuisson au gril par convection

Durant la cuisson au gril par convection, l'élément de cuisson au gril s'allume et s'éteint par intermittence pour maintenir le four à température constante tandis que le ventilateur fait circuler l'air chaud.

La température est préréglée à 550 °F (288 °C), mais elle peut être modifiée. Les durées de cuisson varient en fonction de la position de la grille et de la température et il peut être nécessaire de les ajuster.

Si on ouvre la porte du four pendant la cuisson au gril par convection, le ventilateur s'éteint immédiatement et il se met en marche dès que l'on referme la porte. Les éléments de cuisson au gril s'éteignent environ 30 secondes après l'ouverture de la porte. Ils se mettront de nouveau en marche environ 30 secondes après la fermeture de la porte.

REMARQUE : Il est normal que le ventilateur de convection fonctionne durant les programmes sans cuisson par convection et durant le préchauffage.

Cuisson au gril par convection :

Pour une performance idéale, laisser le four préchauffer pendant 5 minutes (aucune tonalité de préchauffage ne retentit). Placer l'aliment sur la grille non chauffée de la lèchefrite, puis placer celle-ci au centre de la grille du four, avec le côté le plus long de la lèchefrite parallèle à la porte du four.

Broil & Grill (griller et rôtir)

La fonction de cuisson au gril utilise l'élément de cuisson au gril et les micro-ondes pour griller les aliments.

- La cavité du four à micro-ondes et la porte deviennent chaudes durant le programme de cuisson au gril. Utiliser des gants isolants.
- La grille de cuisson et la grille de convection deviennent très chaudes. Utiliser des gants isolants pour saisir et retirer la grille du four à micro-ondes.
- Pour les gros morceaux comme le poulet, utiliser le plat à croustiller situé sous la grille de convection ou la grille de cuisson pour recueillir les jus de cuisson.
- Pour obtenir de meilleurs résultats, appliquer une mince couche d'huile de cuisson sur la grille de cuisson ou la grille de convection.
- Lorsque l'élément de gril est utilisé, le ventilateur de refroidissement s'allume et reste allumé pendant 10 minutes après la fin du programme.

Utiliser le tableau suivant comme guide.

Tableau de cuisson au gril

ALIMENT	QUANTITÉ
Réglage manuel*	
Morceaux de poulet – avec os	1 à 2 morceaux

*Le réglage manuel de cuisson au gril nécessite de programmer une durée de cuisson.

Utilisation de la fonction Programmed Broil & Grill (griller et rôtir programmée) :

REMARQUE : Pour les fours combinés, toucher MICROWAVE (micro-ondes) pour accéder au menu du four à micro-ondes.

- À partir du menu Mode, sélectionner Broil & Grill (griller et rôtir).
- Sélectionner morceaux de poulet, puis toucher NEXT (suivant).
- Faire défiler pour sélectionner la taille de la portion, puis toucher NEXT (suivant).

- (facultative) Pour régler le degré de cuisson : toucher DONENESS (degré de cuisson), lire l'information à l'écran, puis toucher Doneness (degré de cuisson). Sélectionner More Done (plus cuit), Suggested (degré de cuisson suggéré), ou Less Done (moins cuit), puis appuyer sur SET (régler).
- Lire les recommandations à l'écran, puis toucher NEXT (suivant).
- Appuyer sur Microwave Cancel (annulation du four à micro-ondes) pour éteindre le four.
- (facultative) À la fin du programme de cuisson, toucher le bouton ADD 30 SEC (ajouter 30 sec). Ceci permet d'ajouter 30 secondes au temps de cuisson.

REMARQUE : Le ventilateur de refroidissement du four à micro-ondes peut continuer à fonctionner pendant quelques minutes après que le programme de cuisson soit terminé. La cuisson par micro-ondes ne continue pas après le programme de cuisson.

Utilisation du réglage manuel de la fonction Broil & Grill (griller et rôtir) :

- À partir du menu Mode, sélectionner Broil & Grill (griller et rôtir).
 - Sélectionner Manual (manuel), puis appuyer sur NEXT (suivant).
- REMARQUE :** Le niveau de puissance par défaut est de 0 %.
- Entrer une durée de cuisson (– :–). La durée maximale est 89:59.
 - (facultative) Pour régler le niveau de puissance, appuyer sur Power 0 % (puissance 0 %), faire défiler pour sélectionner un nouveau niveau de puissance entre 0 % et 40 %, puis appuyer sur SET (régler).
 - Appuyer sur START (mise en marche).
 - (facultative) À la fin du programme de cuisson, toucher le bouton ADD 30 SEC (ajouter 30 sec). Ceci permet d'ajouter 30 secondes au temps de cuisson.
 - Appuyer sur Microwave Cancel (annulation du four à micro-ondes) pour éteindre le four.

REMARQUE : Le ventilateur de refroidissement du four à micro-ondes peut continuer à fonctionner pendant quelques minutes après que le programme de cuisson soit terminé. La cuisson par micro-ondes ne continue pas après le programme de cuisson.

Levée du pain

La levée du pain prépare la pâte pour la cuisson en activant la levure. Sauf indication contraire de la recette, il est recommandé de procéder à une double levée.

Faire lever la pâte :

Pour un meilleur rendement, s'assurer que la température de la cavité du four est inférieure à 120 °F (49 °C) avant de placer la pâte dans la cavité du four. Avant la première levée de pain, placer la pâte dans un bol légèrement graissé et couvrir sans serrer avec de la pellicule de plastique recouvert de graisse végétale ou d'enduit à cuisson antiadhésif. Placer le bol sur la grille en position 2. Voir la section « Positionnement des grilles et ustensiles de cuisson » pour le diagramme. Fermer la porte.

- Appuyer sur PROOF (faire lever). L'affichage indiquera 100 °F (38 °C).
- Appuyer sur START (mise en marche).
Laisser la pâte lever jusqu'à ce qu'elle ait presque doublé de volume. Vérifier après 20 à 25 minutes. La durée de levée du pain peut varier en fonction du type de pâte et de la quantité.
- Appuyer sur la touche CANCEL (annulation) du four sélectionné une fois la levée du pain terminée.

Avant la seconde levée, mettre la pâte en forme, la placer sur la ou les plaques de cuisson et couvrir partiellement. Reprendre le même positionnement et vérifier que les étapes ci-dessus ont bien été suivies. Avant la cuisson au four, retirer le papier ciré ou la pellicule plastique.

Sonde thermique

La sonde mesure précisément la température interne de la viande, de la volaille et des mets en sauce liquides et doit être utilisée pour déterminer le degré de cuisson de la viande et de la volaille. La sonde thermométrique doit être utilisée uniquement avec les fonctions Bake (cuisson au four), Convection Bake (cuisson au four par convection) ou Convection Roast (rôtissage par convection).

Toujours débrancher et retirer la sonde du four lorsqu'on retire les aliments.

Utilisation :

Avant de l'utiliser, insérer la sonde à l'intérieur de l'aliment. Pour les viandes, l'extrémité de la sonde doit se trouver au centre de la partie la plus épaisse de la viande et non dans le gras ou au contact d'un os. Placer les aliments dans le four et connecter la sonde à la prise. Maintenir la sonde aussi loin que possible de la source de chaleur. Fermer la porte du four.

REMARQUE : On doit insérer la sonde thermométrique dans l'aliment avant de sélectionner le mode souhaité.

- Appuyer sur la touche Power (mise sous tension) et sélectionner « Probe Cook » (cuisson avec sonde) du menu Cooking Mode (mode de cuisson).
- Faire défiler la liste jusqu'au mode de cuisson désiré.
- Faire défiler la liste jusqu'à la température de cuisson désirée.
- Faire défiler la liste jusqu'à la température d'aliment désirée.
- Appuyer sur START (mise en marche).
ou
Appuyer sur DELAY (mise en marche différée) pour différer le programme de cuisson. Se référer à la section « Cuisson minutée » pour régler les heures de mise en marche différée et de fin.

Timed Cooking (cuisson minutée)

AVERTISSEMENT

Risque d'empoisonnement alimentaire

Ne pas laisser des aliments reposer plus d'une heure avant ou après la cuisson.

Le non-respect de cette instruction peut causer un empoisonnement alimentaire ou une maladie.

La fonction Cook Time (temps de cuisson) et la fonction Delay Start (mise en marche différée) permettent d'allumer le ou les fours à une certaine heure de la journée, d'effectuer une cuisson pendant une durée déterminée et/ou d'éteindre le four automatiquement. La mise en marche différée ne doit pas être utilisée pour les aliments tels que pains et gâteaux, car ils risquent de ne pas bien cuire.

Réglage de la minuterie du four :

La minuterie du four éteint le four sélectionné lorsque la durée réglée s'est écoulée. La durée maximale est 11:59:00.

- Appuyer sur le mode de cuisson désiré et sélectionner la température du four désirée, puis appuyer sur START (mise en marche).
- Appuyer sur OVEN TIMER (minuterie du four) près du mode de cuisson et de la température affichés.

3. Faire défiler la liste jusqu'à la durée désirée pour la minuterie du four.
4. Appuyer sur START (mise en marche).
ou
Appuyer sur WHEN DONE (cuisson terminée) pour sélectionner le comportement du four après que la minuterie du four s'est écoulée. Choisir entre HOLD TEMP (maintien de la température) par défaut, KEEP WARM (maintien au chaud), et OVEN OFF (arrêt du four). Appuyer sur SET (régler). Une fois que la minuterie du four s'est écoulée, le comportement « When Done » (cuisson terminée) débute et un message « TIMER ENDED AT X-XX » (la minuterie s'est terminée à [heure du jour]) est affiché.

Les signaux sonores de fin de programme se font entendre (si activés), suivis des signaux à intervalles d'une minute.

5. Appuyer sur la touche CANCEL (annulation) du four sélectionné ou ouvrir la porte et refermer pour effacer l'affichage ou arrêter les signaux sonores de rappel.

Réglage de la durée de cuisson différée et de l'heure d'arrêt :

Avant le réglage, s'assurer que l'horloge est réglée à l'heure exacte. Pour les fours doubles, s'assurer de sélectionner le four désiré avant de poursuivre.

1. Appuyer sur le mode de cuisson désiré et sélectionner la température du four désirée.
REMARQUE : La mise en marche différée peut être utilisée avec la fonction Levée du pain, mais la température n'est pas modifiable.
2. Appuyer sur DELAY (mise en marche différée).
3. Faire défiler la liste jusqu'à l'heure de « Mise en marche de cuisson à ».
REMARQUE : Les heures de mise en marche et de fin de la cuisson sont arrondies au plus près du quart d'heure (00:00, 00:15, 00:30 et 00:45).
4. Faire défiler la liste jusqu'à l'heure « Arrêt de cuisson à ».
5. Appuyer sur SET (régler).
ou
Appuyer sur START NOW (mise en marche maintenant) pour démarrer la minuterie de cuisson.
La différence entre l'heure de « Mise en marche de cuisson à » et l'heure « Arrêt de cuisson » est utilisée comme minuterie de cuisson.
Lorsque l'heure de mise en marche est atteinte, le four s'allume automatiquement. Le compte à rebours en minutes apparaît sur l'affichage du four.
Une fois que la minuterie du four s'est écoulée, le comportement « When Done » (cuisson terminée) débute et un message « TIMER ENDED AT XX-XX » (la minuterie s'est terminée à [heure du jour]) est affiché.
Les signaux sonores de fin de programme se font entendre (si activés), suivis des signaux de rappel à intervalles d'une minute.
6. Appuyer sur la touche CANCEL (annulation) du four sélectionné pour annuler le programme en cours et retourner au menu principal.
Si la porte du four est ouverte et fermée après la fin du programme, l'affichage est effacé et les signaux sonores de rappel s'arrêtent, mais le four continuera de fonctionner à la fin du comportement du programme sélectionné (Keep Warm [maintien au chaud] est le comportement par défaut).

Utilisation du four à micro-ondes combiné

Un magnétron dans le four produit des micro-ondes qui rebondissent du plancher, des parois et de la voûte en métal et qui passent à travers le plateau rotatif et les ustensiles de cuisson appropriés pour atteindre l'aliment. Les micro-ondes sont attirées vers et absorbées par le gras, le sucre et les molécules d'eau dans les aliments et font déplacer ces molécules, en produisant une friction et une chaleur qui fait cuire les aliments.

- Afin d'éviter d'endommager le four à micro-ondes, ne pas laisser les enfants s'appuyer sur la porte du four à micro-ondes ou s'y balancer.
- Afin d'éviter d'endommager le four à micro-ondes, ne pas le faire fonctionner lorsqu'il est vide.
- Le plateau rotatif doit être en place et à l'endroit lorsque le four à micro-ondes est utilisé. Ne pas utiliser le plateau rotatif s'il est fêlé ou brisé. Consulter le Guide de démarrage rapide pour les informations de commande.
- Les biberons et les petits pots d'aliments pour bébé ne doivent pas être chauffés dans le four à micro-ondes.
- Les vêtements, fleurs, fruits, herbes, bois, coloquintes, papiers, y compris les sacs en papier brun et les journaux, ne doivent pas être séchés dans le four à micro-ondes.
- La paraffine ne fondra pas dans le four, car elle n'absorbe pas les micro-ondes.
- Utiliser des mitaines de four ou des maniques pour enlever les contenants du four.
- Ne pas faire cuire les pommes de terre excessivement. À la fin de la durée de cuisson recommandée, les pommes de terre devraient être légèrement fermes. Laisser les pommes de terre reposer pendant 5 minutes. Elles achèveront de cuire pendant cette période.
- Ne pas faire cuire ou réchauffer des œufs entiers avec leur coquille. La vapeur accumulée dans les œufs entiers pourrait les faire éclater. Recouvrir les œufs pochés et les laisser reposer.

Caractéristiques des aliments

Lors de la cuisson au tiroir à micro-ondes, la quantité, la taille, la forme, la température de mise en marche, la composition et la densité de l'aliment affectent les résultats de cuisson.

Quantité d'aliments

La quantité d'aliments chauffés à la fois a une incidence sur la durée de cuisson. Vérifier le degré de cuisson et rallonger légèrement la durée si nécessaire.

Taille et forme

Des aliments de petite taille cuiront plus vite que de gros morceaux, et des aliments uniformes cuiront de façon plus égale que des aliments de forme irrégulière.

Température de mise en marche

Les aliments à température ambiante chaufferont plus vite que les aliments réfrigérés, et les aliments réfrigérés chaufferont plus vite que les aliments surgelés.

Composition et densité

Les aliments à haute teneur en gras et en sucre atteindront une température plus élevée et chaufferont plus vite que les autres. Les aliments lourds et denses, comme la viande et les pommes de terre, demandent un temps de cuisson plus long que les aliments de même taille, mais plus légers et poreux, comme les gâteaux.

Guide de cuisson

Recouvrement

Recouvrir les aliments aide à retenir l'humidité, réduire le temps de cuisson et limiter les éclaboussures. Utiliser le couvercle fourni avec l'ustensile de cuisson. S'il n'y a pas de couvercle, du papier paraffiné, un essuie-tout ou des emballages en plastique approuvés pour les micro-ondes peuvent être utilisés.

L'emballage en plastique doit être replié à un coin pour laisser échapper la vapeur. La condensation sur les surfaces de la porte et de la cavité est normale pendant une cuisson intense.

Remuer et tourner

Remuer et tourner les aliments redistribue la chaleur de manière uniforme pour éviter la cuisson excessive des bords externes des aliments. Mélanger de l'extérieur vers le centre. Si possible, retourner les aliments.

Disposition

S'il s'agit d'aliments de formes irrégulières ou de dimensions différentes, les parties plus minces et les morceaux plus petits doivent être disposés près du centre. Si l'on cuit plusieurs aliments de même taille et de même forme, les placer en forme de cercle, en laissant le centre du cercle vide.

Perforation

Avant le chauffage, utiliser une fourchette ou un petit couteau pour percer les aliments qui ont une peau ou une membrane, comme les pommes de terre, jaunes d'œufs, foies de poulet, hot dogs et saucisses. Percer plusieurs endroits pour laisser échapper la vapeur.

Protection

Utiliser du papier d'aluminium en petits morceaux pour protéger les parties minces d'aliments de forme irrégulière, les os et les aliments tels que les ailes et pilons de poulet et les queues de poisson. Voir d'abord « Papier d'aluminium et métal ».

Temps de repos

Les aliments continuent à cuire par conduction naturelle de la chaleur même lorsque le programme du micro-ondes est terminé. La durée du repos dépend du volume et de la densité de l'aliment.

Met en marche/arrête le plateau rotatif

Pour un meilleur rendement, le plateau rotatif doit être mis en marche pendant la cuisson au four à micro-ondes.

Si on utilise un ustensile de cuisson très grand qui empêche le plateau rotatif de tourner correctement, arrêter le plateau rotatif. Voir la section « Plateau rotatif » pour plus de renseignements.

Lors de la cuisson aux micro-ondes avec le plateau rotatif arrêté, la nourriture doit être retournée à la moitié de la durée de cuisson.

Ustensiles de cuisson et vaisselle

La vaisselle et les ustensiles de cuisson doivent pouvoir être placés sur le plateau rotatif. Toujours utiliser des mitaines de four ou des poignées lors de la manipulation, car les plats peuvent devenir chauds puisqu'ils sont en contact avec des aliments. Ne pas utiliser des ustensiles de cuisson ou de la vaisselle avec garniture en or ou en argent. Utiliser le tableau suivant comme guide, puis faire un test avant utilisation.

MATÉRIAU	RECOMMANDATIONS
Papier d'aluminium, métal	Voir la section « Papier d'aluminium et métal ».
Plat brunisseur	La partie inférieure doit se trouver au moins à 3/16 po (5 mm) au-dessus du plateau tournant. Suivre les recommandations du fabricant.

MATÉRIAU	RECOMMANDATIONS
Vitrocéramique, verre	Peut être utilisé.
Porcelaine, terre cuite	Suivre les recommandations du fabricant.
Mélamine	Suivre les recommandations du fabricant.
Papier : Chiffons, vaisselle, serviettes de table	Utiliser des produits non recyclés et ceux qui sont approuvés par le fabricant pour l'utilisation dans un four à micro-ondes.
Plastique : Emballages, sacs, couvercles, vaisselle, contenants	Utiliser des produits approuvés par le fabricant pour l'utilisation dans un four à micro-ondes.
Poterie d'argile	Suivre les recommandations du fabricant.
Ustensiles de cuisson en silicone	Suivre les recommandations du fabricant.
Paille, osier, contenants en bois	Ne pas utiliser au four à micro-ondes.
Mousse de polystyrène®†	Ne pas utiliser au four à micro-ondes.
Papier paraffiné	Peut être utilisé.

Pour vérifier si la vaisselle ou l'ustensile de cuisson peut être utilisé dans un tiroir à micro-ondes :

1. Placer l'ustensile de cuisson ou la vaisselle dans le four à micro-ondes avec une tasse (250 mL) d'eau à côté de l'article.
2. Faire cuire à la puissance de cuisson maximale pendant 1 minute.

Ne pas utiliser cet ustensile de cuisson ou cet article de vaisselle s'il devient chaud alors que l'eau demeure froide.

Papier d'aluminium et métal

Toujours utiliser des mitaines de four ou des poignées pour enlever un contenant du four à micro-ondes.

Le papier d'aluminium et certains métaux peuvent être utilisés dans le four à micro-ondes. Si ces articles ne sont pas correctement utilisés, des arcs (éclairs bleus) peuvent se produire et causer des dommages au four à micro-ondes.

Peut être utilisé

Les grilles et les ustensiles de cuisson fournis avec le four à micro-ondes (sur certains modèles), la feuille d'aluminium pour protection et les thermomètres à viande approuvés peuvent être utilisés en respectant les précautions suivantes :

- Afin d'éviter d'endommager le four à micro-ondes, ne pas laisser les grilles en contact avec les parois internes, la voûte ou le fond du four.
- Toujours utiliser le plateau rotatif.
- Pour éviter d'endommager le four à micro-ondes, ne pas laisser un autre objet métallique entrer en contact avec le four à micro-ondes pendant la cuisson.

†®STYROFOAM est marque de commerce déposée de The Dow Chemical Company.

Ne pas utiliser

Les ustensiles de cuisson en métal, or, argent ou étain, les thermomètres à viande non approuvés, les brochettes, les attaches, les doublures de papier d'aluminium comme les emballages de sandwich, les agrafes et autres objets avec garniture en or, en argent ou avec un enduit métallique ne devraient pas être utilisés dans le four à micro-ondes.

Puissance de cuisson au four à micro-ondes

De nombreuses recettes de cuisson aux micro-ondes précisent la puissance de cuisson à utiliser en indiquant un pourcentage, un nom ou un chiffre. Par exemple, 70 % = 7 = Moyen-élevé.

Utiliser le tableau suivant comme guide général pour la puissance de cuisson d'aliments spécifiques.

Tableau de puissance de cuisson des micro-ondes

POURCENTA-GE/NOM	NUMÉRO	UTILISATION
100 %, élevée (par défaut)	10	Réchauffage rapide de plats surgelés et d'aliments avec haute teneur en eau, comme les soupes, les boissons et la plupart des légumes.
90 %	9	Cuisson de petits morceaux tendres de viande, viande hachée, morceaux de volaille, filets de poisson. Réchauffage de soupes en crème.
80 %	8	Chauffage de riz, pâtes ou mets en sauce. Cuisson et réchauffage d'aliments qui ont besoin d'une puissance de chauffage inférieure à la puissance élevée. Par exemple, poisson entier et pain de viande.
70 %, moyenne à élevée	7	Réchauffage d'une seule portion de nourriture.
60 %	6	Cuisson d'aliments sensibles comme les mets à base de fromage et d'œufs, pudding et crèmes. Cuisson de mets en sauce non remuables comme les lasagnes.
50 %, moyenne	5	Cuisson de jambon, de volaille entière et de morceaux de viande à braiser. Mijotage de ragoûts.
40 %	4	Faire fondre le chocolat. Réchauffage du pain, de petits pains et des pâtisseries.

POURCENTA-GE/NOM	NUMÉRO	UTILISATION
30 %, moyenne à faible, Defrost (décongélation)	30	Décongélation de pain, de poisson, de viande, de volaille et d'aliments précuits.
20 %	2	Amollir le beurre, le fromage et la crème glacée.
10 %, faible	1	Mettre les fruits à température ambiante.

REMARQUE : Une valeur de 0 % est aussi acceptable. Ceci ne permet pas de chauffer.

Détecteur de cuisson

Pendant une cuisson par Sensor Cook (cuisson par détection), un détecteur ajuste automatiquement la durée de cuisson et le niveau de puissance.

L'affichage du four à micro-ondes indique le compte à rebours une fois que le détecteur a identifié la durée de cuisson.

Si la porte du four à micro-ondes est ouverte pendant une fonction de détection, le four à micro-ondes s'arrêtera, et toutes les autres opérations seront annulées.

Pour un meilleur rendement de cuisson :

Avant d'utiliser une fonction de cuisson par détection, s'assurer que le four à micro-ondes est branché depuis au moins 2 minutes, que la température de la pièce n'est pas supérieure à 95 °F (35 °C) et que l'extérieur du contenant et la cavité du four à micro-ondes sont secs.

My Creations (mes créations)

My Creations (mes créations) permet de personnaliser les processus de cuisson. Lorsque l'on sélectionne My creations (mes créations) à partir du menu principal, une liste des créations existantes apparaît et la possibilité d'en créer d'autres est offerte.

1. À partir du menu Cooking Mode (mode de cuisson), faire défiler la liste jusqu'à ce que « My creations » (mes créations) apparaisse.
2. Sélectionner soit Create New (créer nouveau), Use Saved (utiliser création sauvegardée) ou Delete/Edit (supprimer/modifier).

REMARQUE : La première fois que MY CREATIONS (mes créations) est utilisé, seul « Create New » (créer nouveau) s'affiche.

3. Appuyer sur la touche Create New (créer nouveau), puis appuyer sur NEXT (suivant).
 4. Sélectionner le mode de cuisson désiré. Choisir Convection Roast (rôtissage par convection), Convection Bake (cuisson au four par convection), Steam Cook (cuisson à la vapeur), Defrost (décongélation), Reheat (réchauffage), Cook (cuisson), Keep Warm (maintien au chaud), Soften (faire ramollir), Melt (faire fondre), Boil & Simmer (faire bouillir et mijoter), Broil & Grill (griller et rôtir) ou Browning Pan (plat brunisseur).
 5. Entrer une durée de cuisson (– : – : –).
- REMARQUE :** La durée maximale pour les trois étapes disponibles est 12:00:00.
6. Appuyer sur POWER (puissance) pour ajuster la puissance de cuisson, sélectionner la puissance de cuisson désirée, puis appuyer sur SET (régler).
ou

- Si le mode Convect Bake (cuisson au four par convection) ou Convect Roast (rôtissage par convection) est sélectionné, choisir une température de cuisson entre 170 °F et 450 °F (77 °C et 232 °C), appuyer sur NEXT (suivant), saisir un temps de cuisson (– :–), toucher ensuite SET (régler) et passer à l'étape 9.
REMARQUE : Pour le mode Convect Bake (cuisson au four par convection), la sélection du niveau de puissance n'est pas disponible.
- Appuyer sur NEXT (suivant).
- Passer en revue les réglages. Si une autre étape est nécessaire, appuyer sur l'étape que vous souhaitez ajouter, puis appuyer sur ADD (ajouter).
REMARQUE : Chaque étape réglée affichera les informations suivantes : Mode, puissance/température et minuterie. Il est possible d'avoir 3 étapes.
- Saisir les informations à chaque étape, puis toucher SAVE (sauvegarder).
- Utiliser le bouton rotatif de sélection pour sélectionner le menu raccourci où la création sera sauvegardée.
- Appuyer sur SAVE (sauvegarder) ou OVERWRITE (superposer). « Overwrite » (superposer) apparaît s'il y a une création déjà sauvegardée dans le menu raccourci choisi.

Pour utiliser la création sauvegardée

- Utiliser le bouton rotatif de sélection pour sélectionner Use Saved (utiliser la création sauvegardée) du menu de sélection, puis appuyer sur NEXT (suivant).
- Sélectionner la création de cuisson désirée à utiliser, puis appuyer sur START (mise en marche).
REMARQUE : Une invite peut s'afficher où l'on doit ouvrir puis fermer la porte avant que la création ne puisse démarrer la cuisson.

Pour supprimer

- Utiliser le bouton rotatif de sélection pour sélectionner Delete/Edit (supprimer/modifier) du menu de sélection, puis appuyer sur NEXT (suivant).
- En utilisant le bouton rotatif de sélection, sélectionner la création à supprimer.
- Appuyer sur DELETE (supprimer).

Pour modifier

- Utiliser le bouton rotatif de sélection pour sélectionner Delete/Edit (supprimer/modifier) du menu de sélection, puis appuyer sur NEXT (suivant).
- En utilisant le bouton rotatif de sélection, sélectionner la création à modifier et appuyer sur EDIT (modifier).
- Utiliser le bouton rotatif de sélection pour sélectionner l'étape à modifier et appuyer sur EDIT (modifier).
REMARQUE : Si une étape est vide, il est possible d'appuyer sur ADD (ajouter) pour ajouter une action à cette étape.
- Sélectionner le mode de cuisson désiré. Choisir Convect Roast (rôtissage par convection), Convect Bake (cuisson au four par convection), Steam Cook (cuisson à la vapeur), Defrost (décongélation), Reheat (réchauffage), Cook (cuisson), Keep Warm (maintien au chaud), Soften (faire ramollir), Melt (faire fondre), Boil & Simmer (faire bouillir et mijoter), Broil & Grill (griller et rôtir) ou Browning Pan (plat brunisseur).
- Entrer une durée de cuisson (– :– :–).
REMARQUE : La durée maximale pour les trois étapes disponibles est 12:00:00.

- Appuyer sur POWER (puissance) pour ajuster la puissance de cuisson, sélectionner la puissance de cuisson désirée, puis appuyer sur SET (régler).
ou
Si le mode Convect Bake (cuisson au four par convection) ou Convect Roast (rôtissage par convection) est sélectionné, choisir une température de cuisson entre 170 °F et 450 °F (77 °C et 232 °C), appuyer sur NEXT (suivant), saisir un temps de cuisson (– :–), toucher ensuite SET (appliquer) et passer à l'étape 8.
- Appuyer sur NEXT (suivant).
- Passer en revue les réglages. Si une autre étape est nécessaire, appuyer sur l'étape que vous souhaitez ajouter, puis appuyer sur ADD (ajouter).
REMARQUE : Chaque étape réglée affichera les informations suivantes : Mode, puissance/température et minuterie. Il est possible d'avoir 3 étapes.
- Saisir les informations à chaque étape, puis toucher SAVE (sauvegarder).
- Utiliser le bouton rotatif de sélection pour sélectionner le menu raccourci où la création sera sauvegardée.
- Appuyer sur SAVE (sauvegarder) ou OVERWRITE (superposer). « Overwrite » (superposer) apparaît s'il y a une création déjà sauvegardée dans le menu raccourci choisi.

Fonctions de cuisson

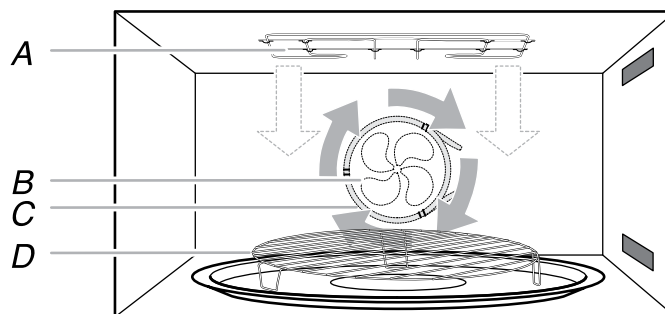
- Appuyer sur le bouton POWER (puissance) ou appuyer sur le bouton MICROWAVE (four à micro-ondes) (sur modèles de four combiné).
- Sélectionner le mode de cuisson désiré. Choisir parmi les modes Convect Roast (rôtissage par convection), Convect Bake (cuisson au four par convection), Convert Recipe for Convection (convertir recette pour une cuisson par convection), Steam Cook (cuisson à la vapeur), SpeedCook (cuisson rapide), My Creations (mes créations), Auto Cook (cuisson automatique), Defrost (décongélation), Reheat (réchauffage), Cook (cuisson), Popcorn (maïs à éclater), Baked Potato (pomme de terre au four), Beverage (boisson), Keep Warm (maintien au chaud), Soften (faire ramollir), Melt (faire fondre), Boil & Simmer (faire bouillir et mijoter), Broil & Grill (griller et rôtir) et Browning Pan (plat brunisseur).
- Entrer une durée de cuisson (– :– :–). La durée maximale est 01:29:59.
REMARQUE : La sélection de temps de cuisson n'est pas disponible pour les modes de cuisson avec capteurs.
- Pour ajuster le niveau de puissance de cuisson, toucher POWER (puissance), sélectionner le niveau de puissance désiré, puis toucher SET (régler). Le tableau ci-dessous indique les niveaux de puissance disponibles.

MODE	PLAGE
Convect Roast (rôtissage par convection)	170 à 450 °F (77 à 232 °C)
	325 °F (163 °C) par défaut à 0 % de puissance
	Puissance : 0 à 30 % (0 % par défaut)
Convect Bake (cuisson au four par convection)	170 à 450 °F (77 à 232 °C)
	325 °F (163 °C) par défaut

MODE	PLAGE
Convert Recipe for Convection (convertir recette pour une cuisson par convection)	Rôtissage
	Cuisson (par défaut)
	170 à 450 °F (77 à 232 °C) 325 °F (163 °C) par défaut
Steam Cook (cuisson à la vapeur)	Réglage manuel (par défaut à 100 % de puissance)
	Asperges
	Brocoli
	Carottes
	Chou-fleur
	Épi de maïs
	Filets de poisson
	Légumes Légumes
	Haricots verts
	Pommes de terre
	Crevettes
	Épinards
	Courge d'été
Aliments pour SpeedCook (cuisson rapide)	Pains
	Met en sauce
	Plats cuisinés (par défaut)
	Dessert
	Poisson
	Viandes
	Volaille
Légumes	
My Creations (mes créations)	Créer nouveau (par défaut)
Auto Cook (cuisson automatique)	Rôti de bœuf
	Pain
	Biscuits
	Plat surgelé
	Céréales chaudes (par défaut)
	Oeufs brouillés
Defrost (décongélation)	Pain
	Poisson
	Jus
	Viandes
	Réglage manuel (par défaut à 20 % de puissance)
	Volaille
	Fruits de mer

MODE	PLAGE
Reheat (réchauffage)	Réglage manuel (par défaut à 100 % de puissance)
	Met en sauce
	Assiettée
	Pointe de pizza
	Sauce
	Soupe
Cook (cuisson)	00:01 à 89:59
	10 à 100 % (100 % par défaut)
Popcorn (maïs à éclater)	Sac de 1,75 à 3,5 oz
Baked Potato (pomme de terre au four)	4 pommes de terre
	3 pommes de terre
	2 pommes de terre
	1 pomme de terre (par défaut)
Beverage (boisson)	2 tasses (16 oz)
	1 tasse (8 oz) (par défaut)
Keep Warm (maintien au chaud)	00:01 à 89:59 (par défaut 60:00 à 10 % de puissance)
Soften (faire ramollir)	Réglage manuel (par défaut à 20 % de puissance)
	Beurre
	Fromage à la crème
	Crème glacée
	Margarine
Melt (faire fondre)	Réglage manuel (par défaut à 30 % de puissance)
	Beurre
	Fromage
	Chocolat
	Margarine
	Guimauve

Conversion automatique pour convection



A. Élément de cuisson au gril
 B. Ventilateur de convection
 C. Élément de convection
 D. Grille de cuisson ou grille de convection

La cuisson par convection utilise l'élément de convection, l'élément de cuisson au gril et le ventilateur. L'air chaud circule dans tout le four par le ventilateur. L'air constamment en mouvement entoure l'aliment pour chauffer rapidement la portion extérieure.

- La fonction de convection peut être utilisée pour faire cuire de petites quantités d'aliments sur une seule grille.
- Toujours utiliser la grille de cuisson et la grille de convection placée sur le plateau rotatif ou la plaque de cuisson.
- Pour éviter d'endommager le four à micro-ondes, ne pas recouvrir le plateau tournant, la grille de cuisson ou la grille de convection, ni la plaque de cuisson de papier aluminium.
- Ne pas utiliser des récipients en plastique léger, des enveloppes en plastique ou des produits de papier. Tous les ustensiles de cuisine résistant à la chaleur ou les ustensiles en métal peuvent être utilisés lors de la cuisson par convection. Les tôles à pizza circulaires sont d'excellents ustensiles de cuisson pour la cuisson par convection.
- Lorsque l'élément de gril est utilisé, le ventilateur de refroidissement s'allume et reste allumé pendant 10 minutes après la fin du programme.
- Utiliser la cuisson par convection pour les plats tels que les soufflés, pains, biscuits, gâteaux des anges, pizza et la plupart des viandes et poissons.

La fonction de conversion automatique pour convection permet de convertir la durée et la température de cuisson pour obtenir la durée et la température idéale pour la cuisson par convection.

Les températures et durées de cuisson par convection sont différentes de celles d'une cuisson ordinaire. Le four réduira automatiquement les températures et les durées de cuisson des recettes standard pour la cuisson par convection.

La conversion peut ne pas être exacte, car les aliments sont regroupés en catégories générales.

Utiliser le tableau suivant comme guide.

Tableau de convection

RÉGLAGE	ALIMENTS
Cuisson au four	Mets en sauce et produits de boulangerie
Rôtissage	Viandes et légumes

MODE	PLAGE
Boil & Simmer (faire bouillir et mijoter)	Réglage manuel (par défaut à 100 % de puissance)
	Fettucines non cuits
	Macaronis non cuits
	Pennes non cuites
	Rotinis non cuits
	Spaghettis non cuits
	Linguines
	Riz à grains longs
	Raviolis
	Tortellinis
Riz à grains courts	
Broil & Grill (griller et rôtir)	Réglage manuel (par défaut à 0 % de puissance)
	Morceaux de poulet
Browning Pan (plat brunisseur)	Réglage manuel (par défaut à 100 % de puissance)
	Bacon
	Poitrines désossées
	Frites
	Galette de viande hachée
	Roulés de pizza
	Bouchées de pommes de terre
	Pizza lève au four
Pizza croûte mince	

5. Appuyer sur START (mise en marche). Le compte à rebours de la durée de cuisson s'affiche. Lorsque l'heure d'arrêt est atteinte, le four s'éteint automatiquement.

Si activés, les signaux sonores de fin de programme se font entendre.

6. Appuyer sur MICROWAVE CANCEL (annulation du four à micro-ondes) (CANCEL MICROWAVE [annulation du four à micro-ondes] sur les modèles de fours combinés) ou ouvrir la porte pour effacer l'affichage.

REMARQUE : Le ventilateur de refroidissement du four à micro-ondes peut continuer à fonctionner pendant quelques minutes après que le programme de cuisson soit terminé. La cuisson par micro-ondes ne continue pas après le programme de cuisson.

Pour utiliser la conversion de recette :

1. Si le préchauffage n'est pas requis, placer les aliments dans le four ou sur la grille de conversion sur le plateau rotatif et fermer la porte.
2. Appuyer sur le bouton POWER (puissance) ou sur le bouton MICROWAVE (four à micro-ondes) (sur les modèles de fours combinés).
3. À partir du menu de mode de cuisson, sélectionner Convert Recipe (convertir recette) (pour la convection).
4. Sélectionner Roast (rôtissage) ou Bake (cuisson au four) pour convertir une recette traditionnelle en un mode de cuisson par convection. Appuyer sur NEXT (suivant).
5. Entrer la température de cuisson standard comprise entre 170 °F et 450 °F (77 °C et 232 °C).
6. Appuyer sur NEXT (suivant).
7. Sélectionnez la durée de rôti/de cuisson au four de la recette originale, puis toucher SET (régler).
ou
8. Appuyer sur SKIP TIMER (passer la minuterie) pour passer à la prochaine étape.
9. Appuyer sur START (mise en marche). Si un préchauffage est requis, placer les aliments dans le four ou sur la grille de convection sur le plateau rotatif après que le signal sonore de préchauffage ait retenti. Le compte à rebours de la durée de cuisson s'affiche.
Lorsque la minuterie est terminée, le four affichera « Cooking Ended » (cuisson terminée) et passera à la température constante pour maintenir la température du four.
Si activés, les signaux sonores de fin de programmes se font entendre.
10. (facultative) À la fin du programme de cuisson, toucher le bouton ADD 30 SEC (ajouter 30 sec). Ceci permet d'ajouter 30 secondes au temps de cuisson.
11. Appuyer sur MICROWAVE CANCEL (annulation four à micro-ondes) pour éteindre le four à micro-ondes.

Defrost (décongélation)

On peut utiliser la caractéristique Defrost (décongélation) ou régler manuellement le four à micro-ondes pour la décongélation à une puissance de cuisson de 20 %.

- Pour des résultats optimaux, la température de l'aliment doit être inférieure ou égale à 0 °F (-18 °C) lors de la décongélation.
- Débarrasser les aliments et enlever les couvercles (des jus de fruits) avant la décongélation.
- Les paquets peu épais décongèlent plus rapidement que les morceaux épais.
- Séparer les morceaux d'aliments le plus tôt possible durant ou à la fin du programme pour une décongélation plus uniforme.
- Les aliments laissés hors du congélateur pendant plus de 20 minutes ou les aliments congelés déjà prêts ne doivent pas être décongelés en utilisant la caractéristique de Custom Defrost (décongélation pré-réglée), mais doivent être décongelés au moyen du réglage manuel.
- Utiliser de petits morceaux de papier d'aluminium pour protéger les aliments comme les ailes et pilons de poulet, ainsi que les queues de poisson. Voir d'abord « Papier d'aluminium et métal ».
- Les durées et puissances de cuisson ont été préprogrammées pour décongeler plusieurs types d'aliments. Pour chaque catégorie d'aliment, une quantité précise d'aliments peut être entrée ou des quantités préprogrammées peuvent être sélectionnées.

Aliments pour SpeedCook (cuisson rapide)

La fonction SpeedCook (cuisson rapide) utilise l'élément de gril, l'élément de convection et le ventilateur et les micro-ondes. Tous fonctionnent par intermittence.

- Les ustensiles de cuisson et les surfaces intérieures du four, y compris la porte, deviendront chauds.
- Toujours utiliser un thermomètre à lecture instantanée pour déterminer si la viande ou la volaille est cuite.
- Utiliser des ustensiles de cuisson allant au four et adaptés aux micro-ondes.
- Ne pas utiliser des couvercles ou des contenants faits en papier métallique, papier, papier paraffiné ou plastique non recommandés pour l'utilisation dans un four conventionnel.
- Lors du rôti, les viandes et les volailles peuvent éclabousser. Les sacs pour four en plastique conçus pour le four traditionnel peuvent être utilisés pour un nettoyage plus facile. Suivre les recommandations du fabricant.
- Lors de l'utilisation d'une grille de cuisson ou d'une grille de convection, placer l'ustensile directement sur le plateau rotatif.
- Disposer les pièces d'aliment en une seule rangée sur le plat à croustiller ou le plat à cuisson.

Avant d'utiliser la fonction SpeedCooking (cuisson rapide), placer les aliments dans le four et fermer la porte. Le préchauffage n'est pas nécessaire.

Pour utiliser la cuisson rapide :

REMARQUE : Pour les fours combinés, toucher MICROWAVE (micro-ondes) pour accéder au menu du four à micro-ondes.

1. À partir du menu Mode, sélectionner SPEEDCOOK FOODS (cuisson rapide).
2. Faire défiler la liste jusqu'au type d'aliment désiré et appuyer sur NEXT (suivant).
3. Faire défiler la liste jusqu'à l'aliment désiré et appuyer sur NEXT (suivant).

REMARQUE : Certaines sélections peuvent nécessiter de l'information supplémentaire, comme le poids de l'aliment ou la taille du plat. Si c'est le cas, effectuer les sélections appropriées, puis toucher NEXT (suivant).

4. Lire les instructions de cuisson qui apparaîtront à l'écran.
5. Toucher START (mise en marche) pour commencer le programme de cuisson.
ou

Toucher DONENESS (degré de cuisson) et sélectionner entre More Done (plus cuit), Suggested (suggéré) ou Less Done (moins cuit) et toucher SET (régler) pour revenir à l'écran précédent. Appuyer ensuite sur START (mise en marche) pour commencer le programme de cuisson.

6. Appuyer sur MICROWAVE CANCEL (annulation du four à micro-ondes) pour éteindre le four.

RÉGLAGE	QUANTITÉ
Viandes	
Côtelettes de porc avec os	0,4 à 1,5 lb (0,2 à 0,7 kg)
Rôti de bœuf désossé	1,5 à 5,0 lb (0,7 à 2,3 kg)
Jambon sans os	1,0 à 4,5 lb (0,5 à 2,0 kg)
Côtelettes de porc sans os	0,3 à 1,6 lb (0,1 à 0,7 kg)
Rôti de porc sans os	1,0 à 5,0 lb (0,5 à 2,3 kg)
Pain de viande	1,5 à 2,0 lb (0,7 à 0,9 kg)
Boulettes de viande	20 boulettes

RÉGLAGE	QUANTITÉ
Bifteck à la suisse	1,0 à 2,0 lb (0,5 à 0,9 kg)
Volaille	
Filets tendres de poulet surgelés	5 à 20 morceaux
Poitrine de poulet	0,2 à 2,0 lb (0,1 à 0,9 kg)
Croquettes de poulet	6 à 24 morceaux
Morceaux de poulet – avec peau	0,5 à 2,0 lb (0,2 à 0,9 kg)
Poulet frit surgelé	4 à 8 morceaux
Poitrine de dinde	3,0 lb (1,4 kg)
Poulet entier	3,0 à 5,5 lb (1,4 à 2,5 kg)
Morceaux de poulet non désossés	0,5 à 2,0 lb (0,2 à 0,9 kg)
Ailes de poulet surgelées	0,5 à 1,5 lb (0,2 à 0,7 kg)
Poisson	
Filets de poisson	0,4 à 1,2 lb (0,2 à 0,5 kg)
Bâtonnets de poisson surgelés	4 à 16 morceaux
Poisson surgelé, pané	2 à 8 morceaux
Pains	
Biscotins réfrigérés – grands, 1 plat	8 biscotins
Biscotins réfrigérés – petits, 1 plat	10 biscotins
Brioche à la cannelle – grandes, 1 plat	5 brioches
Brioche à la cannelle – petites, 1 plat	8 brioches
Croissants – 1 plat	8 croissants
Bâtonnets de pain surgelés – 1 plat	6 bâtonnets
Pain à l'ail/au fromage – 1 pain	8 oz (226,8 g)
Légumes	
Pommes de terre au four	1 à 8 pommes de terre
Frites	3 à 12 oz (85,0 à 340,2 g)
Rondelles d'oignon surgelées	4 à 16 oz (113,4 à 453,6 g)
Croquettes de pommes de terre surgelées	3 à 12 oz (85,0 à 340,2 g)
Pelures de pommes de terre surgelées	1 à 4 portions
Quartiers de pommes de terre surgelées	1 à 4 portions
Légumes rôtis	2 à 8 tasses (500 à 2 000 mL)

RÉGLAGE	QUANTITÉ
Patates	1 à 6 pommes de terre
Desserts	
Brownies – plat de cuisson (8 po x 8 po [20,3 x 20,3 cm] ou 9 po x 13 po [22,9 x 33 cm])	–
Gâteau, gâteau Bundt	–
Pâte à biscuits – 1 plaque	8 biscuits
Met en sauce	
Met en sauce fraîchement préparé – plat de cuisson (8 po x 8 po [20,3 x 20,3 cm] ou 9 po x 13 po [22,9 x 33 cm])	–
Lasagnes fraîches – plat de cuisson (8 po x 8 po [20,3 x 20,3 cm])	–
Lasagnes surgelées	10,0 à 60,0 oz (284 g à 1,7 g)
Plats cuisinés	
Petits bagels	9 bagels
Bâtonnet fromage	4 à 16 morceaux
Pâtés impériaux surgelés	1 à 8 pâtés
Pain doré surgelé	1 à 4 pains
Chapelet de saucisses surgelé	2 à 10 saucisses
Galettes de saucisses surgelées	2 à 8 galettes
Gaufres surgelées	1 à 4 gaufres
Hot dogs	2 à 10 hot dogs
Poppers jalapeños	5 à 20 poppers
Nachos – 1 plat	–
Pizza – réchauffage	1 à 4 pointes

Cook (cuisson)

Utilisation du réglage manuel de cuisson :

REMARQUE : Pour les fours combinés, toucher MICROWAVE (micro-ondes) pour accéder au menu du four à micro-ondes.

- À partir du menu Mode, sélectionner Cook (cuisson) (mode par défaut).
REMARQUE : La puissance par défaut est de 100 %.
- Faire défiler pour entrer une durée de cuisson (– :–). La durée maximale est 89:59.
- (facultative) Pour régler le niveau de puissance, appuyer sur Power 100 % (puissance 100 %), faire défiler pour sélectionner un nouveau niveau de puissance, puis appuyer sur SET (régler). La plage réglée est comprise entre 10 % et 100 %.

- Appuyer sur START (mise en marche). Lorsque l'heure d'arrêt est atteinte, le four s'éteint automatiquement.
REMARQUE : Le ventilateur de refroidissement du four à micro-ondes peut continuer à fonctionner pendant quelques minutes après que le programme de cuisson soit terminé. La cuisson par micro-ondes ne continue pas après le programme de cuisson.
- (facultative) À la fin du programme de cuisson, toucher le bouton ADD 30 SEC (ajouter 30 sec). Ceci permet d'ajouter 30 secondes au temps de cuisson.
Appuyer sur Microwave Cancel (annulation du four à micro-ondes) pour éteindre le four.

Popcorn (maïs à éclater)

Ne préparer qu'un sachet à la fois.

Attendre que l'éclatement ralentisse à 1 éclatement toutes les 1 ou 2 secondes, puis mettre fin au programme.

Utilisation du mode Popcorn (maïs à éclater) :

- À partir du menu Mode, sélectionner Popcorn (maïs à éclater).
- (facultative) Pour régler le degré de cuisson : toucher DONENESS (degré de cuisson), lire l'information à l'écran, puis toucher DONENESS (degré de cuisson). Sélectionner More Done (plus cuit), Suggested (degré de cuisson suggéré), ou Less Done (moins cuit), puis appuyer sur SET (régler).
- Appuyer sur START (mise en marche).
- Appuyer sur Microwave Cancel (annulation du four à micro-ondes) pour éteindre le four.

Lorsque l'heure d'arrêt est atteinte, le four s'éteint automatiquement.

REMARQUE : Le ventilateur de refroidissement du four à micro-ondes peut continuer à fonctionner pendant quelques minutes après que le programme de cuisson soit terminé. La cuisson par micro-ondes ne continue pas après le programme de cuisson.

Beverage (boisson)

Toujours utiliser un contenant pour micro-ondes.

Ne pas couvrir.

Utilisation du mode Beverage (boisson) :

REMARQUE : Pour les fours combinés, toucher MICROWAVE (micro-ondes) pour accéder au menu du four à micro-ondes.

- À partir du menu Mode, sélectionner BEVERAGE (boisson).
- Sélectionner la quantité.
- (facultative) Pour régler le degré de cuisson : toucher DONENESS (degré de cuisson), lire l'information à l'écran, puis toucher DONENESS (degré de cuisson). Sélectionner More Done (plus cuit), Suggested (degré de cuisson suggéré), ou Less Done (moins cuit), puis appuyer sur SET (régler).
- Appuyer sur START (mise en marche).
- Appuyer sur Microwave Cancel (annulation du four à micro-ondes) pour éteindre le four.

Lorsque l'heure d'arrêt est atteinte, le four s'éteint automatiquement.

REMARQUE : Le ventilateur de refroidissement du four à micro-ondes peut continuer à fonctionner pendant quelques minutes après que le programme de cuisson soit terminé. La cuisson par micro-ondes ne continue pas après le programme de cuisson.

Steam (cuisson à la vapeur)

La vapeur est une fonction de cuisson par détection qui utilise les micro-ondes pour cuire les aliments à la vapeur. Utiliser Steam (cuisson à la vapeur) pour les aliments comme les légumes, le poisson et les pommes de terre.

- Les durées et puissances de cuisson ont été programmées pour cuire à la vapeur plusieurs types d'aliments.
- Utiliser un panier vapeur pour micro-ondes.

Utiliser le tableau suivant comme guide.

Tableau de cuisson avec vapeur

ALIMENT	QUANTITÉ
Réglage manuel*	–
Asperges	8 à 16 oz
Brocoli	2 à 6 tasses
Carottes	2 à 6 tasses
Chou-fleur	2 à 6 tasses
Épi de maïs	2 à 4 épis
Filets de poisson	0,5 à 1,5 lb
Légumes surgelés	2 à 6 tasses
Haricots verts	2 à 6 tasses
Pommes de terre	2 à 6 tasses
Crevettes	5 à 8 oz
Épinards	4 à 8 tasses
Courge d'été	2 à 6 tasses

*Le réglage manuel de la fonction Steam (cuisson à la vapeur) nécessite de programmer une durée de cuisson.

(facultative) Modifier le degré de cuisson d'aliment en appuyant sur la touche Doneness (degré de cuisson). Sélectionner More done (plus cuit), Suggested (suggéré) ou Less Done (moins cuit), puis toucher SET (régler), consulter les réglages de cuisson, puis toucher START (mise en marche).

Melt (faire fondre)

La fonction Melt (faire fondre) peut être utilisée pour faire fondre vos aliments. Les durées et puissances de cuisson ont été préprogrammées pour plusieurs types d'aliments. Utiliser le tableau suivant comme guide.

Tableau pour faire fondre

ALIMENT	QUANTITÉ
Réglage manuel*	–
Beurre	1/2 bâtonnet
	1 bâtonnet
	1 1/2 bâtonnet
	2 bâtonnets
Fromage	8 oz
	16 oz
Chocolat	1 à 12 oz

ALIMENT	QUANTITÉ
Margarine	1/2 bâtonnet
	1 bâtonnet
	1 1/2 bâtonnet
	2 bâtonnets
Guimauves	5 oz
	10 oz

*La fonction Melt (faire fondre) nécessite de programmer une durée de cuisson.

(facultative) Modifier le degré de cuisson d'aliment en appuyant sur la touche Doneness (degré de cuisson). Sélectionner More done (plus cuit), Suggested (suggéré) ou Less Done (moins cuit), puis toucher SET (régler), consulter les réglages de cuisson, puis toucher START (mise en marche).

Reheat (réchauffage)

Les durées et puissances de cuisson ont été préprogrammées pour réchauffer plusieurs types d'aliments.

Utiliser le tableau suivant comme guide.

Tableau de réchauffage personnalisé

ALIMENT	QUANTITÉ
Réglage manuel*	Niveau de puissance par défaut : 100 %.
Met en sauce Placer dans un plat allant au four à micro-ondes. Recouvrir d'une pellicule de plastique et laisser une ouverture pour laisser l'air s'échapper. Remuer et laisser reposer 2 à 3 minutes après le réchauffage.	1 à 4 tasses (250 mL à 1 L)
Assiettée Placer les aliments sur l'assiette. Recouvrir d'une pellicule en plastique et laisser une ouverture d'échappement de l'air. Laisser reposer de 2 à 3 minutes après le réchauffage.	8 à 16 oz (227 à 454 g)
Pointe de pizza Placer sur un essuie-tout.	1 à 3 pointes, de (3 oz [85 g] chacune)

ALIMENT	QUANTITÉ
Sauce Placer dans un plat allant au four à micro-ondes. Recouvrir d'une pellicule de plastique et laisser une ouverture pour laisser l'air s'échapper. Remuer et laisser reposer 2 à 3 minutes après le réchauffage.	1 à 4 tasses (250 mL à 1 L)

Soupe Placer dans un plat allant au four à micro-ondes. Recouvrir d'une pellicule en plastique et laisser une ouverture d'échappement de l'air. Remuer et laisser reposer 2 à 3 minutes après le réchauffage.	1 à 4 tasses (250 mL à 1 L)
---	-----------------------------

*La fonction Reheat (réchauffage) nécessite de programmer une durée de cuisson.

Utilisation du Programmed Reheat (réchauffage programmé) :

Pour les fours combinés, commencer en touchant le bouton MICROWAVE (micro-ondes).

1. Faire défiler jusqu'à REHEAT (réchauffage) du menu mode de cuisson.
2. Faire défiler la liste jusqu'au type d'aliment désiré et appuyer sur NEXT (suivant). Si DINNER PLATE (repas surgelé) est sélectionné, passer à l'étape 4.
3. Faire défiler pour sélectionner la quantité, puis toucher NEXT (suivant).
4. Appuyer sur START (mise en marche).
ou
Toucher DONENESS (degré de cuisson) et sélectionner entre More Done (plus cuit), Suggested (suggéré) ou Less Done (moins cuit) et toucher SET (régler) pour revenir à l'écran précédent. Appuyer ensuite sur START (mise en marche) pour commencer le programme de cuisson.
5. Appuyer sur MICROWAVE CANCEL (annulation du four à micro-ondes) pour éteindre le four.

Utilisation du réglage manuel de la fonction Reheat (réchauffage) :

Pour les fours combinés, commencer en touchant le bouton MICROWAVE (micro-ondes).

1. Faire défiler jusqu'à REHEAT (réchauffage) du menu mode de cuisson.
2. Faire défiler jusqu'à type d'aliment MANUAL (manuel), puis toucher NEXT (suivant).
3. Faire défiler jusqu'au bouton MIN et SEC pour régler le temps de cuisson désiré.
REMARQUE : La puissance par défaut est de 100 %.
4. (facultative) le plateau tournant est par défaut à marche. Pour modifier le réglage de plateau tournant, toucher TURNTABLE IS ON (plateau tournant à marche). Le bouton affichera TURNTABLE IS OFF (plateau tournant à arrêt). Répéter la procédure pour remettre le plateau tournant à marche.
REMARQUE : Une fois le temps de cuisson terminé, le plateau tournant retournera à sa configuration par défaut (marche).

- (facultative) Pour régler le niveau de puissance, appuyer sur Power 100 % (puissance 100 %), faire défiler pour sélectionner le niveau de puissance désiré, puis appuyer sur SET (régler).
La plage réglée est comprise entre 10 % et 100 %.
- Toucher START (mise en marche) pour commencer le programme de cuisson.
- Appuyer sur MICROWAVE CANCEL (annulation du four à micro-ondes) pour éteindre le four.

Soften (faire ramollir)

La fonction Soften (faire ramollir) peut être utilisée pour ramollir vos aliments. Les durées et puissances de cuisson ont été préprogrammées pour plusieurs types d'aliments.

Utiliser le tableau suivant comme guide.

Tableau pour faire ramollir

ALIMENT	QUANTITÉ
Réglage manuel*	–
Beurre	1/2 bâtonnet
	1 bâtonnet
	1 1/2 bâtonnet
	2 bâtonnets
Fromage à la crème	3 oz
	8 oz
Crème glacée	16 oz
	32 oz
	64 oz
Margarine	1/2 bâtonnet
	1 bâtonnet
	1 1/2 bâtonnet
	2 bâtonnets

*La fonction Soften (faire ramollir) nécessite de programmer une durée de cuisson.

(facultative) Modifier le degré de cuisson d'aliment en appuyant sur la touche Doneness (degré de cuisson). Sélectionner More done (plus cuit), Suggested (suggéré) ou Less Done (moins cuit), puis toucher SET (régler), consulter les réglages de cuisson, puis toucher START (mise en marche).

Boil & Simmer (faire bouillir et mijoter)

Boil & Simmer (faire bouillir et mijoter) est une fonction de détection qui utilise uniquement des micro-ondes pour laisser mijoter les aliments.

- Respecter les quantités indiquées d'eau et d'aliments qui s'affichent à l'écran.
- Pour de meilleurs résultats de cuisson, ne pas utiliser de pellicule plastique comme couverture pendant le programme Boil & Simmer (faire bouillir et mijoter).
- Ne pas retirer le couvercle alors que le plat se trouve dans le four, car une bouffée de vapeur pourrait dérégler les mesures prises par le capteur.
- Utiliser le plat allant au four à micro-ondes avec un couvercle non fermé.

Utiliser le tableau suivant comme guide.

Tableau pour faire bouillir et mijoter

ALIMENT	QUANTITÉ
Fettucines et spaghettis non cuits	2 à 8 oz (57 à 227 g)
Macaronis, penne et rotinis non cuits	1/2 à 2 tasses (118 à 473 mL)
Linguines, raviolis, tortellinis	9 ou 18 oz (255 ou 510 g)
Riz blanc à grain long ou court	1/2 à 2 tasses (118 à 473 mL)

- Utiliser le réglage manuel de la fonction de mijotage pour des aliments tels que les soupes, les mets en sauce, les ragoûts et autres aliments liquides.
- Le réglage manuel de la fonction Boil & Simmer (faire bouillir et mijoter) nécessite de régler une durée de cuisson.

Utilisation de la fonction Programmed Boil & Simmer (faire bouillir et mijoter programmée) :

Pour démarrer la fonction sur l'ensemble de fours combinés, appuyer sur MICROWAVE (four à micro-ondes).

- Faire défiler jusqu'à Boil & Simmer (faire bouillir et mijoter) du menu mode de cuisson.
- Faire défiler jusqu'au type d'aliment désiré et appuyer sur NEXT (suivant).
- Faire défiler pour sélectionner la quantité, puis toucher NEXT (suivant).
- (facultative) Pour régler le degré de cuisson : toucher DONENESS (degré de cuisson), lire l'information à l'écran, puis toucher DONENESS (degré de cuisson). Sélectionner More Done (plus cuit), Suggested (degré de cuisson suggéré), ou Less Done (moins cuit), puis appuyer sur SET (régler).
- Appuyer sur START (mise en marche).
REMARQUE : Pour la cuisson de pâtes, le four effectuera une pause pour ajouter les pâtes à l'eau. Le four repartira ensuite.
Si activés, les signaux sonores de fin de programme se font entendre.
- (facultative) À la fin du programme de cuisson, toucher le bouton ADD 30 SEC (ajouter 30 sec). Ceci permet d'ajouter 30 secondes au temps de cuisson.
- Appuyer sur Microwave Cancel (annulation du four à micro-ondes) pour éteindre le four.

Utilisation du réglage manuel de la fonction Boil & Simmer (faire bouillir et mijoter) :

Pour démarrer la fonction sur l'ensemble de fours combinés, appuyer sur MICROWAVE (four à micro-ondes).

- Faire défiler jusqu'à Boil & Simmer (faire bouillir et mijoter) du menu mode de cuisson.
- Faire défiler jusqu'à Manuel, puis toucher NEXT (suivant).
- Entrer une durée de cuisson (– :–). La durée maximale est 89:59.

REMARQUE : Au mode Boil & Simmer (faire bouillir et mijoter), le four à micro-ondes contrôle la puissance. Lorsque l'eau bout, les aliments cuiront en bouillant durant toute la cuisson.

- Appuyer sur START (mise en marche). Une fois que le point d'ébullition est atteint, l'affichage indique le compte à rebours de la durée de cuisson.
Si activés, les signaux sonores de fin de programme se font entendre.
- (facultative) À la fin du programme de cuisson, toucher le bouton ADD 30 SEC (ajouter 30 sec). Ceci permet d'ajouter 3 secondes au temps de cuisson.
- Appuyer sur Microwave Cancel (annulation du four à micro-ondes) pour éteindre le four.

Tableau pour réglage manuel de mijotage

ALIMENT	INSTRUCTIONS
Pâtes*	Ajouter 1 c. à table (15 mL) d'huile à l'eau. Mettre le plat avec de l'eau dans le four. Entrer 1 seconde de durée de mijotage. L'eau chauffera jusqu'à ébullition, puis le four s'éteindra. Mettre les pâtes dans l'eau et recouvrir le plat. Répéter les étapes 1 à 4 de « Pour utiliser le réglage manuel de la fonction de mijotage », puis entrer la durée de mijotage souhaitée.
Riz et légumes	Mettre l'eau et l'aliment dans le plat. Mettre le plat au four. Régler la durée de mijotage.
Soupe et aliments liquides	Mettre les aliments dans un plat et mettre le plat au four. Régler la durée de mijotage.

*Utiliser un plat assez grand pour que l'eau couvre complètement l'aliment.

(facultative) Modifier le degré de cuisson d'aliment en appuyant sur la touche Doneness (degré de cuisson). Sélectionner More Done (plus cuit), Suggested (suggéré) ou Less Done (moins cuit), puis toucher SET (régler), consulter les réglages de cuisson, puis toucher START (mise en marche).

Keep Warm (maintien au chaud)

⚠ AVERTISSEMENT

Risque d'empoisonnement alimentaire

Ne pas laisser des aliments reposer plus d'une heure avant ou après la cuisson.

Le non-respect de cette instruction peut causer un empoisonnement alimentaire ou une maladie.

Les aliments cuits chauds peuvent être gardés chauds dans le four à micro-ondes.

Le réglage Keep Warm™ (maintien au chaud) peut être utilisé seul ou être préprogrammé pour suivre un programme de cuisson.

- Couvrir le plat.
- Couvrir les aliments qui étaient couverts pendant la cuisson.
- Pour un résultat optimal, ne pas couvrir les produits de boulangerie comme les pâtisseries, tartes, chaussons, etc.

Utilisation de la fonction Keep Warm (maintien au chaud) :

- Appuyer sur le bouton POWER (puissance) ou sur le bouton MICROWAVE (four à micro-ondes) (sur les modèles de fours combinés).
- À partir du menu de mode de cuisson, appuyer sur KEEP WARM (maintien au chaud).
REMARQUE : Le niveau de puissance par défaut est de 10 %.
- Sélectionner une durée de Keep Warm (maintien au chaud) (- :- :-). La durée maximale est 01:29:59.
- Appuyer sur START (mise en marche). L'affichage du four procède à un compte à rebours de la durée de cuisson.
Lorsque l'heure d'arrêt est atteinte, le four à micro-ondes s'éteint automatiquement.
Si activés, les signaux sonores de fin de programme se font entendre.
- Appuyer sur MICROWAVE CANCEL (annulation du four à micro-ondes) pour éteindre le four.

REMARQUE : Le ventilateur de refroidissement du four à micro-ondes peut continuer à fonctionner pendant quelques minutes après que le programme de cuisson soit terminé. La cuisson par micro-ondes ne continue pas après le programme de cuisson.

Browning Pan (plat brunisseur)

La fonction Browning Pan (plat brunisseur) utilise le plat à croustiller, l'élément de cuisson au grill et les micro-ondes pour brunir et rendre croustillants les aliments. Alors que les micro-ondes chauffent les aliments par le dessus, elles chauffent également la poêle par le dessous pour faire brunir et croustiller les aliments.

La fonction Browning Pan (plat brunisseur) peut être utilisée pour saisir les viandes et les légumes, frire le bacon et les œufs et pour rendre croustillantes et brunes les pizzas et les frites.

Certains programmes de cuisson avec plat brunisseur sont programmés pour préchauffer le plat vide pendant 3 minutes avant le début de la cuisson. Lorsque le programme de préchauffage est terminé, le four à micro-ondes s'arrête et indique qu'il faut ajouter les aliments dans le plat à croustiller. Le four à micro-ondes peut indiquer qu'il faut retourner les aliments pendant le programme.

- Toujours utiliser le plat à croustiller.
- Voir la section « Plat antiadhésif à croustiller et poignée » avant l'utilisation.
- L'utilisation de l'élément de cuisson au grill rend la cavité du four à micro-ondes et la porte très chaudes. L'utilisation de mitaines est recommandée.
- Le plat à croustiller deviendra très chaud. Utiliser la poignée pour saisir et retirer la poêle du four. Ne pas placer le plat à croustiller chaud directement sur des surfaces non résistantes à la chaleur. Des dommages peuvent survenir.
- Pour ne pas endommager les ustensiles en plastique, ne pas les utiliser avec le plat à croustiller, car il devient très chaud et pourrait faire fondre les ustensiles.
- Ne pas utiliser d'ustensiles métalliques; ils risquent d'égratigner le plat.
- Pour de meilleurs résultats, ne pas utiliser la poêle dans tout autre four à micro-ondes ou dans un four thermique.
- Pour de meilleurs résultats de cuisson, ne pas placer le plat à croustiller sur la grille de cuisson ou la grille de convection. Toujours utiliser le plateau rotatif comme support du plat.
- Pour obtenir les meilleurs résultats, enduire légèrement la poêle d'huile de cuisson pour qu'il soit plus facile de retirer l'aliment et de nettoyer la poêle.

Utiliser le tableau suivant comme guide lors de l'utilisation de la fonction Brunissage.

Programmed Browning Pan (plat brunisseur programmé)

Les durées et puissances de cuisson ont été préprogrammées pour le brunissage de plusieurs types d'aliments.

Tableau de cuisson pour plat brunisseur

ALIMENT	QUANTITÉ
Réglage manuel*	
Bacon	2 à 4 tranches
Poitrine de dinde, désossée	1 à 3 morceaux
Frites	1 à 3 portions
Galettes de viande hachée	1 à 4 galettes
Roulés de pizza	1 à 4 portions
Bouchées de pommes de terre	1 à 4 portions
Pizza, surgelée, pâte levante	6 à 12 po (15 à 30,5 cm)
Pizza, surgelée, pâte fine	6 à 12 po (15 à 30,5 cm)

*Le réglage manuel de la fonction Plat brunisseur nécessite de programmer une durée de cuisson.

Utilisation de la fonction Programmed Browning Pan (plat brunisseur programmé) :

1. Appuyer sur le bouton POWER (puissance) ou sur le bouton MICROWAVE (four à micro-ondes) (sur les modèles de fours combinés).
2. À partir du menu de mode de cuisson, appuyer sur BROWNING PAN (plat brunisseur).
3. Sélectionner le type d'aliment, puis appuyer sur NEXT (suivant).
4. Utiliser le bouton rotatif de sélection pour sélectionner une des quantités programmées, puis appuyer sur NEXT (suivant) pour démarrer la cuisson au degré de cuisson recommandé. **OU**
5. Modifier le degré de cuisson d'aliment en appuyant sur la touche Doneness (degré de cuisson). Sélectionner More Done (plus cuit), Suggested (degré de cuisson suggéré) ou Less Done (moins cuit), puis appuyer sur SET (régler).
6. Appuyer sur START (mise en marche).
Lorsque l'heure d'arrêt est atteinte, le four à micro-ondes s'éteint automatiquement.
REMARQUE : Le ventilateur de refroidissement du four à micro-ondes peut continuer à fonctionner pendant quelques minutes après que le programme de cuisson soit terminé. La cuisson par micro-ondes ne continue pas après le programme de cuisson.
Si activés, les signaux sonores de fin de programme se font entendre.
7. (facultative) Après la fin de la cuisson, sélectionner Keep Warm (maintien au chaud) dans le menu de mode de cuisson, puis appuyer sur START (mise en marche). Ceci déclenche un nouveau cycle de cuisson qui va maintenir les aliments au chaud. Le four à micro-ondes fonctionnera à 10 % de sa puissance pendant 60 minutes par défaut, mais il peut être réglé à hauteur de 01:29:59. Voir la section « Maintien au chaud » pour plus de renseignements.
8. (facultative) À la fin du programme de cuisson, toucher le bouton ADD 30 SEC (ajouter 30 sec). Ceci permet d'ajouter 30 secondes au temps de cuisson.
9. Appuyer sur MICROWAVE CANCEL (annulation du four à micro-ondes) pour éteindre le four.

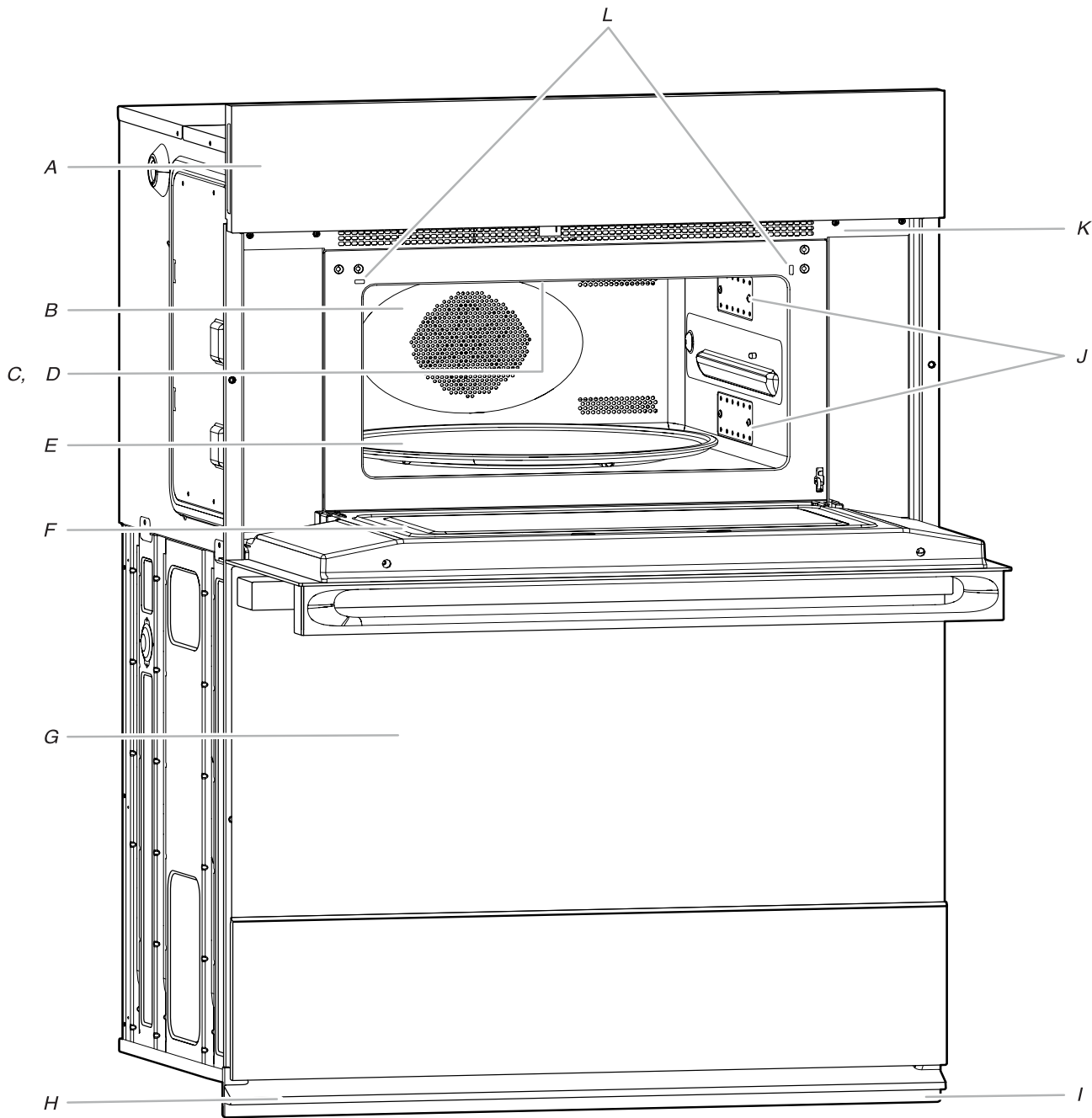
Utilisation du réglage manuel de la fonction Browning Pan (plat brunisseur) :

1. Appuyer sur le bouton POWER (puissance) ou sur le bouton MICROWAVE (four à micro-ondes) (sur les modèles de fours combinés).
2. À partir du menu de mode de cuisson, appuyer sur BROWNING PAN (plat brunisseur).
3. Appuyer sur NEXT (suivant).
4. Pour saisir la durée de cuisson, utiliser le bouton rotatif de sélection pour sélectionner une durée de cuisson (00:00:00), puis appuyer sur START (mise en marche). La durée maximale est 01:29:59.
REMARQUE : Au mode Browning Pan (plat brunisseur), le four à micro-ondes contrôle la puissance. Une puissance élevée est nécessaire pour chauffer le plat.
5. Appuyer sur START (mise en marche). Le compte à rebours de la durée de cuisson s'affiche. Lorsque l'heure d'arrêt est atteinte, le four s'éteint automatiquement.
REMARQUE : Le ventilateur de refroidissement du four à micro-ondes peut continuer à fonctionner pendant quelques minutes après que le programme de cuisson soit terminé. La cuisson par micro-ondes ne continue pas après le programme de cuisson.
Si activés, les signaux sonores de fin de programme se font entendre.
6. (facultative) Après la fin de la cuisson, sélectionner Keep Warm (maintien au chaud) dans le menu de mode de cuisson, puis appuyer sur START (mise en marche). Ceci déclenche un nouveau cycle de cuisson qui va maintenir les aliments au chaud. Le four à micro-ondes fonctionnera à 10 % de sa puissance pendant 60 minutes par défaut, mais il peut être réglé à hauteur de 01:29:59. Voir la section « Maintien au chaud » pour plus de renseignements.
7. (facultative) À la fin du programme de cuisson, toucher le bouton ADD 30 SEC (ajouter 30 sec). Ceci permet d'ajouter 30 secondes au temps de cuisson.
8. Appuyer sur MICROWAVE CANCEL (annulation du four à micro-ondes) pour éteindre le four.

Guía de control de la combinación de microondas/horno

Piezas y características

Este manual abarca varios modelos. Su modelo puede contar con algunos o todos los elementos enumerados. Consulte este manual o la sección de Preguntas frecuentes (FAQ) de nuestra página de internet, en www.jennair.com para obtener instrucciones más detalladas. En Canadá, consulte la sección de Servicio al cliente en www.jennair.ca.



- A. Controles electrónicos del horno
- B. Elemento de convección y ventilador (escondido detrás del panel posterior)
- C. Luz
- D. Elemento para asar a la parrilla
- E. Bandeja giratoria
- F. Ventana con protección metálica

- G. Horno inferior (en modelos de combinación. Consulte la Guía de control aparte).
- H. Ventilación inferior
- I. Protector de la ventilación inferior (en algunos modelos)

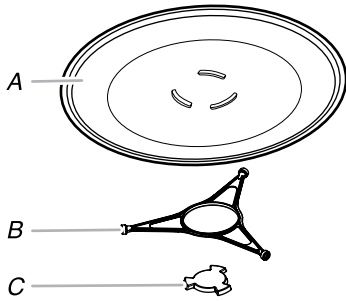
- J. Emisión de microondas doble
 - K. Placa de modelo y número de serie (en la ventilación central debajo del panel de control).
- NOTA:** En modelos de horno de microondas sencillo, en el sujetador de lado derecho.

- L. Interruptor de la puerta

Piezas y características no mostradas

- Rejilla de convección
- Rejilla para asar
- Sartén y asa para verduras

Bandeja giratoria



- A. Bandeja giratoria
- B. Soporte y rodillos
- C. Eje

La bandeja giratoria rota en ambas direcciones para ayudar a cocinar los alimentos de manera más pareja. No ponga a funcionar el horno de microondas si la bandeja giratoria no está en su lugar. Para obtener información sobre cómo realizar pedidos, consulte la Guía rápida de inicio.

Las líneas curvas elevadas del centro de la parte inferior de la bandeja encajan entre los 3 rayos del eje. El eje hace girar la bandeja giratoria durante el uso del horno de microondas. Los rodillos del soporte deben encajar dentro del canal debajo de la bandeja giratoria.

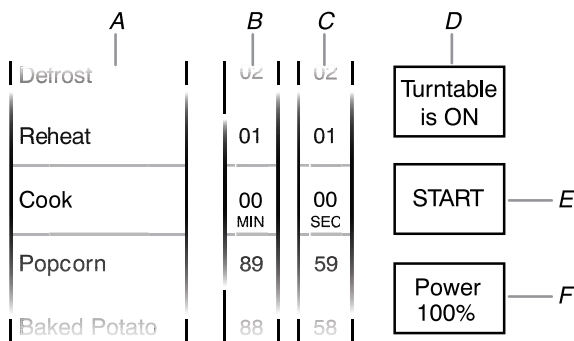
NOTA: El ventilador enfriador del horno de microondas puede seguir funcionando varios minutos después de completado el ciclo de cocción. La cocción con microondas no continúa después de finalizado el ciclo de cocción.

Para encender/apagar:

Para un rendimiento óptimo del horno de microondas, se recomienda dejar siempre la bandeja giratoria activada. De ser necesario, se puede desactivar (excepto durante una función automática).

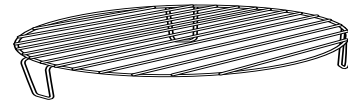
Esto resulta útil cuando se cocina con un recipiente más grande que la bandeja giratoria.

- Desde el menú de cocción del microondas, toque **TURNTABLE** (Bandeja giratoria) para encender o apagar la rotación.



- A. Modo de cocción
- B. Tiempo – selección de minutos
- C. Tiempo – selección de segundos
- D. Menú para encender/apagar la bandeja giratoria
- E. Inicio de ciclo de cocción
- F. Selección de nivel de potencia

Rejilla de convección



La rejilla para cocinar por convección provee una circulación óptima del calor para cocinar por convección (en algunos modelos). Para la cocción por convección y para asar a la parrilla se recomiendan trozos gruesos de carne como pollo con hueso.

- La rejilla se calentará. Use siempre guantes para horno o soportes para cacerolas para manipularla.
- Para evitar daños al horno de microondas, no permita que la rejilla de convección toque las paredes, el techo o el piso del interior de la cavidad.
- Siempre use la bandeja giratoria.
- Para evitar daños al horno de microondas, no almacene la rejilla dentro del horno de microondas.
- No se recomienda la cocción en dos niveles.
- Para obtener resultados óptimos, no coloque bolsas de palomitas de maíz sobre la rejilla.
- La rejilla está diseñada específicamente para este horno de microondas. Para obtener resultados de cocción óptimos, no intente usar ninguna otra rejilla en este horno.

Sartén doradora recubierta y manija



La sartén doradora, con su superficie antiadherente y manija desmontable, se diseñó específicamente para el uso en microondas y es ideal para freír (dorar) alimentos en el horno de microondas.

- La sartén doradora se calentará. Use siempre la manija y guantes para horno o soportes para cacerolas para manipularla. Coloque el extremo de agarre sobre el borde del sartén, oprima la manija y levántela.
- No permita que la sartén doradora o la manija toquen las paredes, el techo o el piso del interior de la cavidad.
- Use la bandeja giratoria para apoyar la sartén doradora.
- No coloque la sartén doradora caliente directamente sobre superficies sensibles al calor. Pueden ocurrir daños.
- Para evitar daños al horno de microondas, no utilice otro objeto de metal con la sartén doradora.
- La sartén doradora está diseñada específicamente para este horno de microondas. No la utilice en ningún otro horno.
- Use únicamente utensilios de cocina de madera o plástico para evitar rayarla.

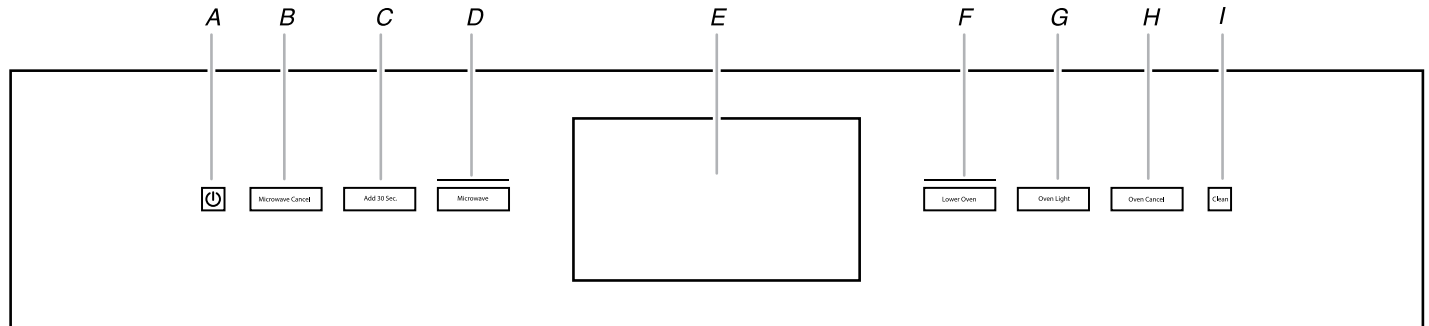
Control del horno de microondas

Este manual abarca varios modelos. Su modelo puede contar con algunos o todos los elementos enumerados. Consulte este manual o la sección de Preguntas frecuentes (FAQ) de nuestra página de internet, en www.jennair.com para obtener instrucciones más detalladas. En Canadá, consulte la sección de Servicio al cliente en www.jennair.ca.

Se puede acceder a los controles del horno de microondas a través del panel de control y la pantalla táctil interactiva.

NOTA: Debido a la sensibilidad del panel de control, hemos provisto instrucciones especiales para la limpieza del panel, así como para el panel táctil. Para obtener las instrucciones de limpieza, consulte la sección "Limpieza general" en el Manual del propietario.

Modelos de hornos de combinación



A. Potencia
B. Microondas cancelar
C. Agregar 30 segundos

D. Microondas
E. Pantalla
F. Horno inferior

G. Luz del horno
H. Cancelar horno
I. Limpieza

Panel táctil

El panel táctil alberga el menú de control y los controles de función. Los botones táctiles son muy sensibles y requieren solo de un toque ligero para activarse.

Para obtener más información acerca de los controles individuales, consulte las secciones respectivas en este manual.

Guía de bienvenida

Esto aparece en su pantalla la primera vez que se enciende el microondas. La Guía de bienvenida le permite configurar su nuevo horno de microondas.

Después de cada selección, se escuchará un tono.

1. Aparecerá una nueva pantalla de bienvenida, léala y toque NEXT (Siguiente).
2. Seleccione su idioma.
3. Seleccione el reloj desplazándose hasta la hora correcta en la columna de horas y minutos. Puede seleccionar AM/PM o reloj de 24 horas (hora militar). Toque NEXT (Siguiente).
4. Elija usar AUTO SYNC (encender) o DO NOT ADJUST (No ajustar) para el horario de verano. Toque NEXT (Siguiente).
5. Ingrese la fecha actual (MM/DD/AAAA) desplazándose hacia la columna para establecer el MES, DÍA y el AÑO. Toque NEXT (Siguiente).
6. Seleccione las unidades de temperatura. Puede elegir entre Fahrenheit o Celsius. Toque NEXT (Siguiente).
7. Seleccione el tema del reloj desplazándose hacia la configuración deseada. Toque NEXT (Siguiente).
NOTA: Este es el fondo de la pantalla táctil central.
8. Si seleccionó CLOCK ONLY (Solo reloj), toque SAVE (Guardar) para completar la configuración.
o
Si seleccionó una imagen para el tema del reloj, seleccione la imagen deseada y toque SAVE (Guardar).

Pantalla

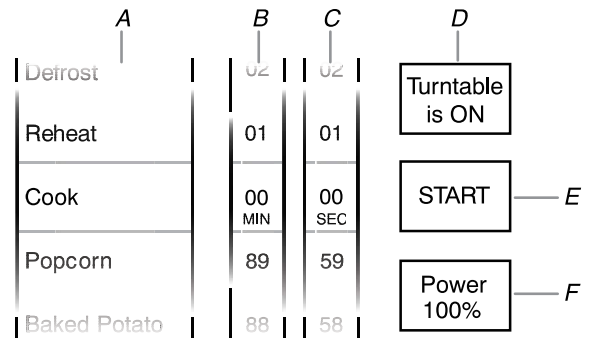
Cuando los hornos están en uso (modo activo), las pantallas muestran la temperatura de los hornos, la fuente de calor y el temporizador (si se ha ajustado).

Después de aproximadamente 2 minutos de inactividad, la pantalla entrará al modo de reposo (suspensión) y la luz de fondo se atenuará. Cuando el horno está funcionando, la pantalla permanece activa.

Durante la programación, la pantalla muestra los menús y las selecciones adecuadas para la función de cocción respectiva.

Pantalla

1. La pantalla táctil se usa para hacer selecciones de menú, para regular los ajustes y para ingresar comandos.



A. Modo de cocción
B. Tiempo - selección de minutos
C. Tiempo - selección de segundos

D. Menú para encender/apagar la bandeja giratoria
E. Inicio de ciclo de cocción
F. Selección de nivel de potencia

Las selecciones de menú y los ajustes de entradas se hacen en la parte central de la pantalla y las entradas de comandos (Back [Retroceder], More [Más], Start [Iniciar] etc.) se hacen con los botones inferiores. Los títulos y las descripciones de las pantallas aparecen en la parte superior de la pantalla. La selección de menú se activará con un toque ligero a mediano con la punta del dedo.

Desplazamiento por la pantalla

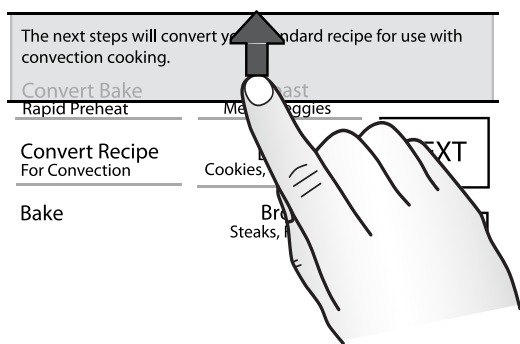
Si el horno está apagado, toque la tecla Power (Potencia) para activar el menú. En la pantalla de inicio pueden activarse todos los programas de cocción automática; puede programarse toda la cocción manual; pueden regularse las opciones y se tiene acceso a las instrucciones, formas de preparación y consejos.

Demostración de menú

Lo siguiente muestra una secuencia que demuestra cómo hornear una papa desde el menú Built-in Foods (Alimentos incorporados).

1. Toque START (Iniciar) o MICROWAVE (Microondas) (en los modelos de hornos de combinación).
2. Desde el menú Cooking Mode (Modo de cocción), desplácese para seleccionar Baked Potato (Papa al horno).
3. Use el control giratorio para seleccionar una de las cantidades preestablecidas (4 máximo).
4. (Opcional) Para ajustar el término, toque DONENESS (Término), lea la información de la pantalla, y luego toque DONENESS (Término) de nuevo. Seleccione More Done (Más cocido), Suggested (Sugerido), o Less Done (Menos cocido), y luego toque SET (Establecer).
5. Toque START (Iniciar).

Demostración de mensaje desplegable



Hay algunos menús que hacen que aparezca un mensaje desplegable. Una vez que lea el mensaje, puede cerrar el menú tocando la flecha direccional y deslizando hacia arriba.

Kitchen timer (Temporizador de cocina)

El temporizador de la cocina puede fijarse en horas, minutos y segundos.

NOTA: El temporizador de la cocina no pone en marcha ni detiene los hornos.

Tonos/Sonidos

Los tonos son señales audibles que indican lo siguiente:

- Toque de tecla válida
- Se ha introducido una función
- Se ha completado el ciclo de precalentamiento
- Toque de tecla no válida
- Fin de un ciclo de cocción
- Cuando el temporizador llega a cero
- Incluye el uso del temporizador de cocina para otras funciones además de cocinar.
- Activación del primer elemento del horno en modo de cocción.

Herramientas

El botón de selección de Tools (Herramientas) permite acceder a funciones y opciones de personalización dentro del control electrónico del horno. Con esas herramientas puede ajustar el reloj, cambiar la temperatura del horno entre Fahrenheit y Celsius, activar o desactivar las señales y mensajes sonoros, regular la calibración del horno o cambiar el idioma, entre otras cosas. El modo Sabbath (Sabbat) también se configura mediante el botón de selección Tools (Herramientas).

MODO	SELECCIONES DISPONIBLES
Sabbat	<ul style="list-style-type: none"> ■ Establece el modo Sabbath (Sabbat)
Modo de demostración	<ul style="list-style-type: none"> ■ On (Encendido) ■ Off (Apagado, predeterminado)
Unidades de temperatura	<ul style="list-style-type: none"> ■ Celsius ■ Fahrenheit (Predeterminado)
Idioma	<ul style="list-style-type: none"> ■ Francés ■ Inglés (Predeterminado)
Pantalla On/Off (Encendida/apagada)	<ul style="list-style-type: none"> ■ Pantalla apagada ■ Pantalla atenuada (Predeterminada)
Reloj On/Off (Encendido/apagado)	<ul style="list-style-type: none"> ■ Reloj apagado ■ Reloj encendido (Predeterminado)
Luminosidad	<ul style="list-style-type: none"> ■ Max (Máximo) ■ High (Alto) ■ Med (Medio/predeterminado) ■ Low (Bajo) ■ Dim (Atenuado)
Sonido	<ul style="list-style-type: none"> ■ Presión de tecla ■ Temporizador y alerta (Predeterminado) ■ Power On/Off (Encendido/Apagado)
Tema del reloj	<ul style="list-style-type: none"> ■ Texturas ■ Celebración ■ Culinario ■ Solo reloj ■ Animación (Predeterminado) ■ Primavera ■ Verano ■ Otoño ■ Invierno
Hora y fecha	<ul style="list-style-type: none"> ■ Horario de verano ■ Estilo de reloj ■ Establecer reloj (Predeterminado) ■ Fijar la fecha
Self Clean (Autolimpieza)	<ul style="list-style-type: none"> ■ Inicia el ciclo Self clean (Autolimpieza)
Bloqueo de botón	<ul style="list-style-type: none"> ■ Presione Lock (Bloqueo) para bloquear los controles
Entrada de números	<ul style="list-style-type: none"> ■ Tecla numérica ■ Desplazarse (Predeterminado)

MODO	SELECCIONES DISPONIBLES
Sonda	■ Usar para el modo de cocción con sonda
Calib. temp.	■ De +35 °F a -35 °F ■ De +20°C a -20°C
Calib. de toque	■ Use para calibrar la pantalla táctil
Información de servicio	■ Número de modelo y de serie
Información legal	■ Información de licencia
Restablecer el ajuste predeterminado	■ Restablecer preajustes de fábrica

Bloqueo de botón

Con Bloqueo de botón se desactivan las teclas del panel de control para evitar el uso accidental del horno. Button Lock (Bloqueo de botón) permanece activado después de un corte de energía si se ajustó antes de que se produjera el corte. Cuando el control está bloqueado, solo funcionará el botón de Power (Potencia).

El bloqueo de botón se fija previamente como desactivado, pero puede activarse.

Para activar el bloqueo de botón:

- Desde el menú Tools (Herramientas), toque BUTTON LOCK (Bloqueo de botón).
- Toque LOCK (Bloqueo) para activar este modo.
NOTA: La pantalla táctil regresará al modo inactivo y aparecerá un mensaje de controles bloqueados.

Para desactivar el bloqueo de botón:

- Toque el botón Power (Potencia), y luego siga las instrucciones de la pantalla.
NOTA: El horno generará una secuencia aleatoria de formas que deben tocarse en el orden que aparecen en la pantalla.

Control de la temperatura del horno

IMPORTANTE: No use un termómetro para medir la temperatura del horno. Los elementos se encenderán y se apagarán según sea necesario para mantener una temperatura uniforme, pero es posible que funcione en algún momento ligeramente caliente o frío a causa de este ciclo. La apertura del horno afecta a los ciclos de los elementos y a la temperatura.

El horno proporciona temperaturas precisas y se ha sometido a pruebas exhaustivas en la fábrica. Sin embargo, puede cocinar más rápido o más lento que su horno anterior, con diferencias de horneado o de dorado final. Si es necesario, la calibración de la temperatura se puede ajustar en grados Fahrenheit o Celsius.

En los hornos dobles, el horno superior y el inferior se pueden calibrar individualmente de forma independiente.

Un signo menos significa que el horno estará más frío con el valor que se muestra en la pantalla. La ausencia de signo menos significa que el horno estará a temperatura más caliente con el valor que aparece en la pantalla. Utilice la siguiente tabla como guía.

NOTA: La pantalla del horno sigue mostrando el ajuste de temperatura original y no refleja el cambio de calibración. Por ejemplo, si está ajustado en 350 °F (177 °C) y se calibra a -20, la pantalla seguirá mostrando 350 °F (177 °C).

AJUSTE EN °F (CAMBIO AUTOMÁTICO A °C)	COCINA LOS ALIMENTOS
10°F (6°C)	... un poco más
20°F (12°C)	... moderadamente más
30°F (18°C)	... mucho más
0°F (0°C)	... ajuste predeterminado
-10°F (-6°C)	... un poco menos
-20°F (-12°C)	... moderadamente menos
-30°F (-18°C)	... mucho menos

Modo Sabbath (Sabbat)

El modo Sabbath (Sabbat) fija el horno para que permanezca encendido en un ajuste para hornear hasta que se apague. También puede programarse el modo Sabbath (Sabbat) para mantener el horno encendido solamente por una parte del Sabbath.

Cuando el Modo Sabbath (Sabbat) está establecido, los botones permitidos son los botones Power (Potencia) y Cancel (Cancelar).

Cuando se abra o se cierre la puerta del horno, la luz no se encenderá ni apagará y los elementos calentadores no se encenderán ni apagaran de inmediato.

Cuando ocurre un corte de energía de menos de un segundo cuando está en modo Sabbath (Sabbat), el o los hornos permanecerán en ese modo y seguirán cocinando.

Para un corte de energía que dure más de unos pocos segundos, el o los hornos volverán a un estado inactivo y el modo Sabbath (Sabbat) ya no estará activo. En el caso de horno doble, las temperaturas del horno superior y del inferior, así como los temporizadores de cocción, se pueden ajustar por separado. Si hay un temporizador de cocción ajustado, no aparecerá la cuenta regresiva. El temporizador aparecerá congelado en la hora ajustada.

Para activar:

- Toque el botón Power (Potencia) y luego toque TOOLS (Herramientas).
- Desde el menú Mode (Modo), seleccione "Sabbath" (Sabbat) y toque NEXT (Siguiendo).
- Toque ON (Encender) y luego toque SETUP (Configurar).
NOTA: Aparecerá el estado programado de los hornos.
- Toque CHANGE (Cambiar).
- Para los hornos individuales, vaya al paso 6. Para los hornos dobles, seleccione el horno deseado, y luego toque NEXT (Siguiendo).
- Seleccione la temperatura de horno que desea y toque NEXT (Siguiendo).
- (Opcional) Fije el tiempo de horneado (00:00) y toque SET (Establecer).
o
Toque SKIP TIMER (Saltar temporizador).
- Para hornos individuales, toque START (Inicio). Para los hornos dobles, toque START (Inicio) para empezar el modo Sabbath (Sabbat), o toque CHANGE (Cambiar) para editar la programación actual o programar el otro horno.

Para desactivar:

El modo Sabbath (Sabbat) puede desactivarse en todas las cavidades con solo tocar el botón Power (Potencia).

Para los hornos individuales, el modo Sabbath (Sabbat) puede desactivarse también con solo tocar Cancel (Cancelar).

Para los hornos dobles, si ambos están funcionando, si toca Cancel (Cancelar) para un horno, apagará el modo Sabbath (Sabbat) para ambos y apagará el horno seleccionado. El otro horno regresará al modo Bake (Hornear) regular.

Delayed Sabbath Bake (Horneado Sabbath diferido):

⚠ ADVERTENCIA

Peligro de intoxicación alimentaria

No deje sus alimentos en el horno por más de una hora antes o después de su cocción.

No seguir esta instrucción puede ocasionar intoxicación alimentaria o enfermedad.

En el caso de horno doble, las temperaturas del horno superior y del inferior, así como los temporizadores de cocción, se pueden ajustar por separado.

Si hay un temporizador de cocción ajustado, no aparecerá la cuenta regresiva. El temporizador aparecerá congelado en la hora ajustada.

Para activar:

1. Toque el botón Power (Potencia) y luego toque TOOLS (Herramientas).
2. Desde el menú Mode (Modo), seleccione "Sabbath" (Sabbat) y toque NEXT (Siguiente).
3. Toque ON (Encender) y luego toque SETUP (Configurar).
NOTA: Aparecerá el estado programado de los hornos.
4. Toque CHANGE (Cambiar).
5. Para los hornos individuales, vaya al paso 6. Para los hornos dobles, seleccione el horno deseado, y luego toque NEXT (Siguiente).
6. Seleccione la temperatura de horno que desea y toque NEXT (Siguiente).
7. (Opcional) Fije el tiempo de horneado (00:00) y toque SET (Establecer).

o

Toque SKIP TIMER (Saltar temporizador).

8. Toque DELAY (Diferir) y configure el tiempo de "Cooking Starts at" (La cocción comienza a las).

NOTA: Si un tiempo de horneado se establece en los pasos anteriores, el valor Cooking Ends at (La cocción finaliza a) se calculará con base en el tiempo de horneado. Si no se establece el temporizador, el modo Sabbath (Sabbat) continuará hasta que se cancele.

9. Toque SET (Establecer).
10. Revise los ajustes y toque START (Inicio) para reanudar el ciclo de horneado.
NOTA: Una vez que termina el temporizador; abrir y cerrar la puerta del horno desactivará el modo Sabbath.

Para cambiar la temperatura

Las temperaturas del horno pueden cambiarse mientras se ejecuta el modo Sabbath (Sabbat) tocando -25 °F (-5 °C) o +25 °F (+5 °C). Al tocar estos botones no se producirán cambios en la pantalla y no se reproducirá ningún sonido.

Por ejemplo, tocar el botón +25 °F (+5 °C) 3 veces resultará en un aumento de la temperatura de la cavidad del horno de +75 °F (+15 °C); sin embargo, la temperatura inicial establecida en la cavidad del horno permanecerá en la pantalla.

NOTA: En modelos de horno doble, la temperatura de la cavidad del horno puede configurarse individualmente.

Main Menu (Menú principal)

Desde el menú principal pueden activarse todos los programas de cocción automática; puede programarse toda la cocción manual; pueden regularse los ajustes; y tiene acceso a las instrucciones, preparación y consejos.

Este manual describe varios modelos diferentes. El horno que adquirió puede tener algunas o todas las características que aparecen a continuación. Es posible que la ubicación y la apariencia de las características que se muestran aquí no coincidan con las de su modelo.

Menú Tools (Herramientas)

Su horno de microondas le permite controlar varios de los ajustes predeterminados y acceder a información a través del visor de la pantalla. Estos incluyen: Reloj, sonido, apariencia, idioma, unidades de temperatura, servicio y restablecer el ajuste predeterminado.

Este manual describe varios modelos diferentes. El horno que adquirió puede tener algunas o todas las características que aparecen a continuación. Es posible que la ubicación y la apariencia de las características que se muestran aquí no coincidan con las de su modelo.

Para acceder al menú de herramientas:

1. Toque TOOLS (Herramientas).
2. Desde el menú Tools (Herramientas), desplácese hasta la elección de herramientas deseada.
3. Toque el botón de configuración rápida que corresponda a la opción deseada.

MODO	SELECCIONES DISPONIBLES
Sabbath (Sabbat)	■ Establece el modo Sabbath (Sabbat)
Modo de demostración	■ On (Encendido) ■ Off (Apagado, predeterminado)
Unidades de temperatura	■ Celsius ■ Fahrenheit (Predeterminado)
Idioma	■ Francés ■ Inglés (Predeterminado)
Pantalla On/Off (Encendida/apagada)	■ Pantalla apagada ■ Pantalla atenuada (Predeterminada)
Reloj On/Off (Encendido/apagado)	■ Reloj apagado ■ Reloj encendido (Predeterminado)

MODO	SELECCIONES DISPONIBLES
Luminosidad	<ul style="list-style-type: none"> ■ Max (Máximo) ■ High (Alto) ■ Med (Medio/predeterminado) ■ Low (Bajo) ■ Dim (Atenuado)
Sonido	<ul style="list-style-type: none"> ■ Presión de tecla ■ Temporizador y alerta (Predeterminado) ■ Power On/Off (Encendido/Apagado)
Tema del reloj	<ul style="list-style-type: none"> ■ Texturas ■ Celebración ■ Culinario ■ Solo reloj ■ Animación (Predeterminado) ■ Primavera ■ Verano ■ Otoño ■ Invierno
Hora y fecha	<ul style="list-style-type: none"> ■ Horario de verano ■ Estilo de reloj ■ Establecer reloj (Predeterminado) ■ Fijar la fecha
Bloqueo de botón	<ul style="list-style-type: none"> ■ Presione Lock (Bloqueo) para bloquear los controles
Entrada de números	<ul style="list-style-type: none"> ■ Tecla numérica ■ Desplazarse (Predeterminado)
Calib. de toque	<ul style="list-style-type: none"> ■ Use para calibrar la pantalla táctil
Información de servicio	<ul style="list-style-type: none"> ■ Número de modelo y de serie
Información legal	<ul style="list-style-type: none"> ■ Información de licencia
Restablecer el ajuste predeterminado	<ul style="list-style-type: none"> ■ Restablecer preajustes de fábrica

Información acerca del servicio

- Desde el menú Tools (Herramientas), desplácese hasta que aparezca Service Info (Información de servicio).
- Toque TIPS (Consejos).
- El número de teléfono de servicio, el sitio web, el número de modelo y el número de serie se muestran en la pantalla.
- Para obtener información de contacto, consulte la Guía de inicio rápido.

Cómo restablecer los ajustes de fábrica

- Desde el menú Tools (Herramientas), desplácese hasta que aparezca Restore Factory Defaults (Restablecer preajustes de fábrica).
- Toque TIPS (Consejos), lea el mensaje del menú desplegable y luego deslice la flecha del mensaje hacia arriba.
- Toque RESET (Restablecer) para hacerlo.
- Se perderán las siguientes configuraciones: Idioma, unidades de temperatura, configuración del reloj, fecha y apariencia de la pantalla. La Guía de bienvenida aparecerá para ayudarlo a restablecer estas configuraciones. Consulte la sección "Guía de bienvenida" para ver información adicional.

Kitchen timer (Temporizador de cocina)

Este es un temporizador independiente que no está asociado a los temporizadores de cocción.

NOTA: El temporizador de cocina aparece como pantalla desplegable. Para ignorar el mensaje del temporizador, deslice la flecha del mensaje hacia arriba. El temporizador continuará con la cuenta regresiva aunque no esté visible.

- Toque TIMER (Temporizador) (KITCHEN TIMER para horno de microondas dedicados) siempre que lo necesite.
- Ingrese el tiempo deseado (00:00:00).
- Toque Back (Regresar) junto a Cancel Timer (Cancelar temporizador) o toque START (Iniciar).
- Para ajustar TIMER/KITCHEN TIMER (Temporizador/Temporizador de cocina), toque el temporizador de cuenta regresiva, use el control para establecer la hora, minutos y segundos deseados y luego toque SET (Establecer).
 - o
- Para cancelar el temporizador, toque el temporizador de cuenta regresiva y luego toque OFF (Apagar). Esto cancelará TIMER/KITCHEN TIMER (Temporizador/Temporizador de cocina) y le regresará al menú de modo de cocción.
- Cuando termine el temporizador, sonará un tono de final de ciclo y, después, los tonos recordatorios sonarán cada minuto.

Bloqueo de botón

Esta función le permite bloquear todos los botones. Para activar el bloqueo de botón:

- Desde el menú Tools (Herramientas), toque BUTTON LOCK (Bloqueo de botón).
- Toque BUTTON LOCK (Bloqueo de botón) para activar este modo.

NOTA: La pantalla táctil regresará al modo inactivo, y aparecerá un mensaje de controles bloqueados.

Para desactivar el bloqueo de botón:

- Toque el botón Power (Potencia), y luego siga las instrucciones de la pantalla.

NOTA: El horno generará una secuencia aleatoria de formas que deben tocarse en el orden que aparecen en la pantalla.

- El controlador se desbloqueará y regresará al menú de modos de cocción una vez que se toquen las formas en la secuencia necesaria.

NOTA: La herramienta de bloqueo de botón debe establecerse cada vez que desea usar esta función.

Conectividad a Wi-Fi (en algunos modelos)

El horno podría tener conectividad Wi-Fi integrada, pero para que funcione tendrá que conectarlo a la red inalámbrica de la casa. Para ver información sobre la configuración de la conectividad, encender y apagar, recibir notificaciones importantes y aprovechar las funciones disponibles, consulte la Guía de inicio rápido para conectar el horno a Wi-Fi que viene con su horno.

Una vez completo el proceso de configuración de Wi-Fi, tendrá acceso a características que le ofrecerán nueva libertad para cocinar. Las características disponibles pueden variar según las actualizaciones de firmware.

NOTA: Puede interrumpirse o perderse la conectividad Wi-Fi durante la función de cocción de un microondas. La Wi-Fi se reconectará una vez que la función de cocción del microondas termine.

Uso del horno

Los olores y el humo son normales cuando el horno se usa las primeras veces o cuando tiene suciedad profunda.

Mientras el horno está en uso, los elementos calentadores no permanecerán encendidos, sino que se encenderán y apagarán a lo largo del funcionamiento del horno.

IMPORTANTE: La salud de algunas aves es sumamente sensible a los gases emanados. La exposición a las emanaciones puede ocasionar la muerte de ciertas aves. Siempre traslade las aves a otra habitación cerrada y bien ventilada.

Si la puerta del horno se abre durante un modo de cocción y se deja abierta durante aproximadamente 60 segundos, el ventilador de enfriamiento cambiará a una velocidad más alta. Puede experimentar ruido más alto durante este tiempo. Cuando se cierra la puerta del horno, el ventilador volverá a su velocidad más baja después de aproximadamente 60 segundos.

Papel de aluminio

IMPORTANTE: Para evitar daños en el acabado de la base del horno, no la cubra con ningún tipo de papel de aluminio ni revestimiento.

- Para obtener resultados de cocción óptimos, no cubra toda la parrilla con papel de aluminio, ya que el aire debe poder circular libremente.
- Para recoger las salpicaduras, coloque papel de aluminio en la parrilla debajo del plato. Cerciórese de que el papel de aluminio sea al menos 1/2" (1,3 cm) más grande que el plato y vuélvalo hacia arriba en los bordes.

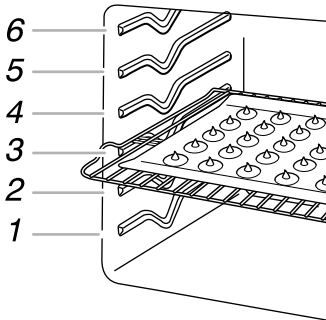
Posición de las parrillas y los utensilios para hornear

IMPORTANTE: Para evitar daños permanentes en el acabado de porcelana, no coloque alimentos ni utensilios para hornear directamente sobre la puerta o la base del horno.

Parrillas

- Coloque las parrillas antes de encender el horno.
- No coloque las parrillas con utensilios para hornear encima.
- Asegúrese de que las parrillas estén niveladas.

Para mover una parrilla, jálela hasta la posición de tope, levante el borde delantero y luego sáquela. Use como guías la ilustración y la tabla a continuación.



Posiciones de la parrilla y los utensilios de cocina

Posiciones de la parrilla: Horno superior e inferior

Asado

ALIMENTOS	POSICIÓN DE LA PARRILLA
Asado máximo	6

Para que las hamburguesas tengan un exterior bien dorado y un interior a punto, use una parrilla plana en la posición 6. El lado 1 debe cocinarse durante unos 3 minutos. El lado 2 debe cocinarse durante aproximadamente 3 a 4 minutos. Es normal que haya un grado moderado de humo cuando se asa a la parrilla.

Cocción tradicional

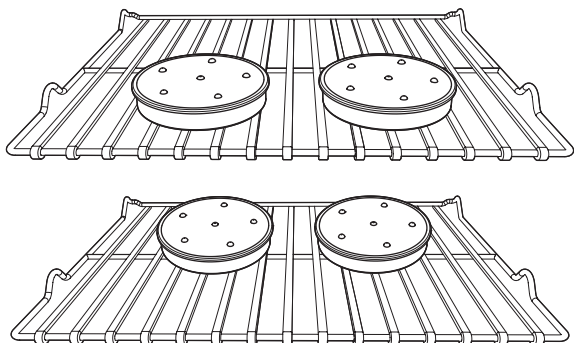
ALIMENTOS	POSICIÓN DE LA PARRILLA
Asados grandes, pavos, pasteles de ángel, roscas bundt, panes rápidos, tartas	1 o 2
Panes con levadura, guisados, carnes y aves	2
Galletas, pastelillos, panecillos, pasteles	2 o 3 cuando se hornea en una sola parrilla; 2 y 5 cuando se utilizan varias parrillas

Cocción por convección

AJUSTE DEL HORNO	NÚMERO DE PARRILLAS UTILIZADAS	POSICIONES DE LA PARRILLA
Rapid Preheat Bake (Hornear con precalentamiento rápido)	1	3
Rapid Preheat Convection Bake (Hornear por convección con precalentamiento rápido)	1	3
Convection Bake (Hornear por convección)	1	1, 2 o 3
Convection Bake (Hornear por convección)	2	2 y 5
Convection Bake (Hornear por convección)	3	1, 3 y 5
Asar por convección	1	1 y 2
Convection Broil (Asar a la parrilla por convección)	1	4, 5 y 6

Hornear pasteles en 2 parrillas

Para obtener resultados óptimos cuando hornee pasteles en dos parrillas, use la función Bake (Hornear) y coloque parrillas en las posiciones 2 y 5. Coloque los pasteles en las parrillas como se muestra. Deje un espacio de al menos 2" (5 cm) entre la parte delantera de las parrillas y la parte delantera de los pasteles.



Horneado de galletas en 2 parrillas

Para obtener resultados óptimos cuando hornee galletas en dos parrillas, use la función Convect Bake (Hornear por convección) y ponga las parrillas en las posiciones 2 y 5.

Utensilios para hornear

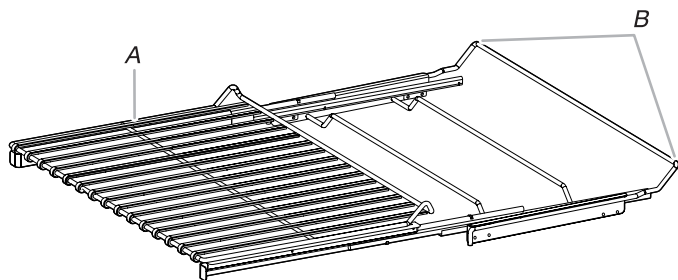
Para una cocción uniforme, el aire caliente debe poder circular. Para obtener mejores resultados, deje 2" (5 cm) de espacio alrededor del utensilio para hornear y las paredes del horno. Utilice la siguiente tabla como guía.

NÚMERO DE SARTENES	POSICIÓN EN LA PARRILLA
1	Centro de la parrilla
2	Lado a lado o ligeramente en zigzag
3 o 4	Consulte las imágenes de las posiciones de las parrillas en esta sección para ver las recomendaciones de colocación de las bandejas.

Parrilla deslizable extensible

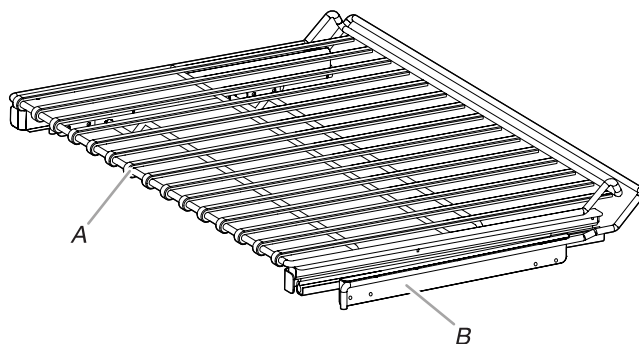
La parrilla deslizable extensible permite un acceso fácil para mover los alimentos en el horno y retirarlos del horno. Puede utilizarse en las posiciones 1 a 6 de la parrilla.

Posición abierta



A. Parrilla deslizable extensible
B. Estante deslizable

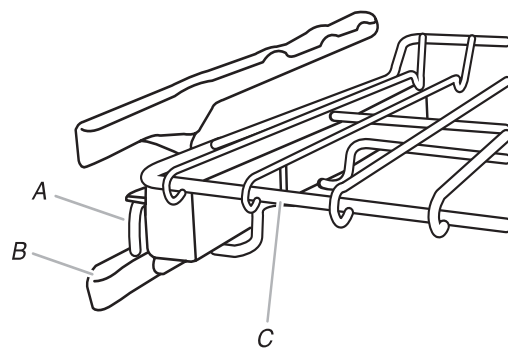
Posición cerrada y enganchada



A. Parrilla deslizable extensible
B. Estante deslizable

Cómo quitar la parrilla deslizable extensible:

1. Deslice la parrilla completamente de modo que se enganche con el estante deslizable.
2. Con las dos manos, levante el borde delantero de la parrilla y empuje el estante deslizable a la pared trasera del horno, de manera que el borde delantero del estante deslizable descansa en las guías de la parrilla. El borde delantero de la parrilla y el estante deslizable deben estar más altos que el borde posterior.



A. Estante deslizable
B. Guía de la parrilla
C. Parrilla deslizable extensible

3. Jale la parrilla y el estante deslizable hacia fuera.

Cómo volver a poner la parrilla deslizable extensible:

1. Usando ambas manos, sujete el frente de la parrilla enganchada y el estante deslizable. Coloque la parrilla cerrada y el estante deslizable en las guías de la parrilla.
2. Usando ambas manos, levante el borde delantero de la parrilla y el estante deslizable juntos.
3. Empuje la parrilla y el estante deslizable lentamente hacia el fondo del horno, hasta que el borde posterior de la parrilla se detenga en el extremo de la guía de la parrilla.

Para evitar que se dañen los estantes deslizables, no coloque más de 25 lb (11,4 kg) de peso sobre la parrilla.

No lave la parrilla extensible deslizable en la lavavajillas. Puede quitar el lubricante de la parrilla y afectar su capacidad de deslizamiento.

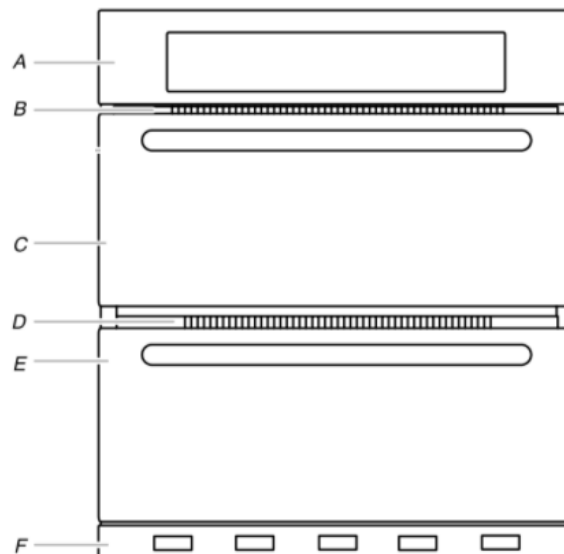
Para obtener más información, consulte la sección "Limpieza general" en el Manual del propietario.

Utensilios para hornear

El material de los utensilios para hornear afectará los resultados de la cocción. Siga las recomendaciones del fabricante y use el tamaño de utensilio de hornear recomendado en la receta. Utilice la siguiente tabla como guía.

UTENSILIO PARA HORNEAR/RESULTADOS	RECOMENDACIONES
Aluminio de color claro <ul style="list-style-type: none"> ■ Cortezas de color dorado claro ■ Dorado uniforme 	<ul style="list-style-type: none"> ■ Use la temperatura y el tiempo recomendados en la receta.
Aluminio de color oscuro y otros utensilios para hornear con acabado oscuro, mate o antiadherente <ul style="list-style-type: none"> ■ Cortezas crujientes y doradas 	<ul style="list-style-type: none"> ■ Puede necesitar reducir la temperatura de horneado ligeramente. ■ Use el tiempo de horneado sugerido. ■ Para tartas, panes y guisados, use la temperatura recomendada en la receta. ■ Coloque la parrilla en el centro del horno.
Moldes o bandejas para hornear termoaislados <ul style="list-style-type: none"> ■ Poco o nada de dorado en el fondo 	<ul style="list-style-type: none"> ■ Siga las recomendaciones de parrillas en la sección "Colocación de parrillas y utensilios para hornear". ■ Puede necesitar aumentar el tiempo de horneado.
Acero inoxidable <ul style="list-style-type: none"> ■ Cortezas de color dorado claro ■ Dorado desigual 	<ul style="list-style-type: none"> ■ Puede necesitar aumentar el tiempo de horneado.
Cerámica de gres/Piedra para hornear <ul style="list-style-type: none"> ■ Cortezas crujientes 	<ul style="list-style-type: none"> ■ Siga las instrucciones del fabricante.
Cristalería o cerámica para horno <ul style="list-style-type: none"> ■ Cortezas crujientes y doradas 	<ul style="list-style-type: none"> ■ Puede necesitar reducir la temperatura de horneado ligeramente.

Ventilaciones de los hornos



- | | |
|-----------------------------------|-----------------------------------|
| A. Panel de control | D. Ducto de ventilación del horno |
| B. Ducto de ventilación del horno | E. Horno inferior |
| C. Horno superior | F. Ventilación inferior |

Las ventilaciones del horno no deben estar bloqueadas ni cubiertas ya que permiten la entrada de aire fresco al sistema de refrigeración y permiten la ventilación del aire caliente. Bloquear o cubrir la ventilación dará lugar a una circulación de aire insatisfactoria, que afectará a los resultados de cocción, de limpieza y de enfriamiento.

Pre calentamiento y temperatura del horno

Preheating (Pre calentamiento)

Cuando comience un ciclo de Bake (Hornear) u Convect Bake (Hornear por convección), el horno empezará a precalentarse después de que se presione la tecla Start (Inicio). El horno tardará de 12 a 18 minutos aproximadamente para alcanzar 350 °F (177 °C) con todas las parrillas de horno provistas con el horno dentro de la cavidad. Cuanto mayor sea la temperatura, más tiempo tomará precalentar el horno. El ciclo Preheat (Pre calentamiento) aumenta rápidamente la temperatura del horno. La temperatura real del horno superará la temperatura fijada para compensar la pérdida de calor cuando se abra la puerta del horno para introducir los alimentos. Esto asegura que el horno comience a la temperatura correcta cuando se coloquen los alimentos en el horno. Introduzca los alimentos cuando suene el tono de pre calentamiento. No abra la puerta durante el pre calentamiento, antes de que suene el tono.

NOTA: Si el temporizador de cocción está programado y la puerta del horno se abre durante el pre calentamiento, el temporizador se iniciará automáticamente.

Temperatura del horno

Mientras están en uso, los elementos del horno se encenderán y apagarán según sea necesario para mantener una temperatura constante. Pueden calentarse o enfriarse ligeramente en cualquier momento debido a este ciclo. Si se abre la puerta del horno mientras se encuentra en uso, saldrá el aire caliente y el horno se enfriará, lo que podría afectar el tiempo y el rendimiento de la cocción. Se recomienda usar la luz del horno para controlar el progreso de la cocción.

Hornear y asar

IMPORTANTE: El ventilador y el elemento de convección pueden funcionar durante la función Bake (Hornear) para mejorar el rendimiento y la distribución.

El horno tardará de 12 a 18 minutos aproximadamente para alcanzar 350 °F (177 °C) con todas las parrillas de horno dentro de la cavidad. El ciclo de precalentamiento aumenta rápidamente la temperatura del horno. Cuanto mayor sea la temperatura, más tiempo tomará precalentar el horno. Los factores que pueden afectar a los tiempos de precalentamiento son la temperatura ambiente, la temperatura del horno y el número de parrillas. Para reducir el tiempo de precalentamiento, pueden sacarse las parrillas del horno que no se usen antes de precalentarlo. La temperatura real del horno superará la temperatura fijada para compensar la pérdida de calor cuando se abra la puerta del horno para introducir los alimentos. Esto asegura que el horno tendrá la temperatura adecuada al introducir los alimentos. Introduzca el alimento cuando suene el tono de precalentamiento. No abra la puerta durante el precalentamiento, antes de que suene el tono.

Durante el horneado y el asado, los elementos de horneado y asado a la parrilla se encienden y se apagan en intervalos para mantener la temperatura del horno.

Dependiendo del modelo, si se abre la puerta del horno durante el horneado o el asado, los elementos de calor (de horneado y de asado) se apagarán unos 30 segundos después de la apertura de la puerta. Se volverán a encender aproximadamente 30 segundos después de que la puerta se cierre.

Broiling (Asar a la parrilla)

El asado a la parrilla usa calor radiante directo para cocinar los alimentos.

El elemento se enciende y se apaga en intervalos para mantener la temperatura del horno.

NOTA: No se requiere precalentamiento para la función Broiling (Asar a la parrilla).

IMPORTANTE: Cierre la puerta para garantizar una temperatura adecuada para asar a la parrilla.

Cuando se abra la puerta del horno mientras se asa a la parrilla, elemento asador se apagará en aproximadamente 30 segundos. Cuando se cierre la puerta del horno, el elemento se volverá a encender en aproximadamente 30 segundos.

- Para obtener resultados óptimos, utilice una charola para asar y una parrilla. Están diseñados para drenar los jugos y ayudar a evitar salpicaduras y humo.
- Para un drenaje adecuado, no cubra la rejilla con papel de aluminio. La base de la charola para asar puede cubrirse con papel de aluminio para facilitar la limpieza.
- Recorte el exceso de grasa para reducir las salpicaduras. Corte la grasa restante de los bordes para evitar que se curven.
- Jale la parrilla del horno hasta la posición de tope antes de dar vuelta o de retirar los alimentos. Use pinzas para dar vuelta los alimentos y así evitar que pierdan jugos. Los cortes muy delgados de pescado, aves o carne tal vez no necesiten darse vuelta.
- Después de asar a la parrilla, saque la charola del horno cuando retire el alimento. Si se dejan derrames en el horno caliente, se hornearán en la charola, lo que hará la limpieza más difícil.

Convección

En un horno de convección, el aire caliente que circula por el ventilador distribuye el calor de manera más uniforme. Este movimiento de aire caliente ayuda a mantener una temperatura uniforme en todo el horno, cocina los alimentos más uniformemente a la vez que atrapa la humedad.

Con el modo de horneado por convección, la mayoría de los alimentos, pueden cocinarse bajando las temperaturas de cocción 25 °F (14 °C). El tiempo de cocción puede acortarse significativamente cuando se usa Convection Roast (Asar por convección), especialmente para pavos grandes y asados.

- Es importante no cubrir los alimentos con tapas o papel de aluminio para que las superficies permanezcan expuestas al aire circulante y se puedan dorar y tostar.
- Mantenga la pérdida de calor al mínimo y abra la puerta del horno solo cuando sea necesario. Se recomienda usar la luz del horno para controlar el progreso.
- Elija bandejas para galletas sin lados y charolas para asar con lados más bajos para permitir que el aire se mueva libremente alrededor de los alimentos.
- Revise el punto de cocción de los alimentos horneados pocos minutos antes del tiempo mínimo de cocción y use un método como un palillo.
- Use un termómetro para carnes o la sonda de temperatura para determinar el punto de cocción de carnes y aves. Revise la temperatura de la carne de cerdo y las aves en 2 o 3 lugares diferentes.

Convection Bake (Hornear por convección)

Convection Bake (Hornear por convección) utiliza el elemento de convección y ventilador.

- Use la rejilla de convección. Coloque la bandeja giratoria.
- Use guantes para el horno ya que la puerta y las rejillas estarán calientes.

Para usar Convection Bake (Hornear por convección):

1. Toque POWER (Potencia) o MICROWAVE (Microondas) (en los modelos de hornos de combinación).
2. Desde el menú de modos de cocción, seleccione Convection Bake (Hornear por convección).
3. Con el control giratorio, seleccione la temperatura del horno de microondas, y luego toque START (Iniciar).
4. (Opcional) Cuando se establece un temporizador del microondas, aparecerá la opción WHEN DONE (Cuando esté listo). Esta opción le permite seleccionar el comportamiento del horno de microondas al final del ciclo actual de cocción. Puede seleccionar entre Keep warm (Mantener caliente), Hold Temp (Conservar temperatura) y MW Off (Apagar microondas). Keep Warm (Mantener caliente) hará que el horno funcione con una potencia del 10 % por 60 minutos, Hold Temp (Conservar temperatura) mantiene el ciclo de cocción seleccionado después de que expira el temporizador, y MW Off (Apagar el microondas) desactiva el ciclo de cocción cuando expira el temporizador.
NOTA: La temperatura predeterminada es de 325 °F (163 °C). Si están habilitados, sonarán los tonos de fin de ciclo.
5. (Opcional) Después de que termine el ciclo de cocción, toque ADD 30 SEC. (Añadir 30 segundos). Esto añadirá automáticamente 30 segundos al tiempo de cocción.
6. Toque MICROWAVE CANCEL (Cancelar microondas), para apagar el horno.

Convect Roast (Asar por convección)

La función Roast (asar) usa el elemento de convección con o sin potencia de microondas. Esta función requiere que se ingrese un tiempo y temperatura (y microondas si lo desea). El nivel de microondas más alto que puede usarse es de 30 %.

- Use la rejilla de convección. Coloque la bandeja giratoria.
- Use guantes para el horno ya que la puerta y las rejillas estarán calientes.

Para usar Convect Roast (Asar por convección):

1. Toque POWER (Potencia) o MICROWAVE (Microondas) (en los modelos de hornos de combinación).
2. Desde el menú de modos de cocción, seleccione Convect Roast (Asar por convección).
3. Con el control giratorio, seleccione la temperatura del horno.
NOTA: La temperatura predeterminada es de 325 °F (163 °C) y el nivel de potencia predeterminado del microondas es de 0 %.
4. Toque START (Iniciar).
o
5. Para ajustar el nivel de potencia, toque POWER (Potencia), seleccione un nuevo nivel, toque SET (Establecer) (el rango establecido es entre 0% y 30 %), y luego toque START (Iniciar).
6. Para ingresar un tiempo de cocción, toque MW TIMER (Temporizador del microondas) después de que haya comenzado el ciclo de cocción, use el control giratorio para seleccionar un tiempo de cocción (00:00:00) y luego toque START (Iniciar). La duración máxima es 11:59:00. Si están habilitados, sonarán los tonos de fin de ciclo.
7. Cuando se establece un temporizador del microondas, aparecerá la opción WHEN DONE (Cuando esté listo). Esta opción le permite seleccionar el comportamiento del horno de microondas al final del ciclo actual de cocción. Puede seleccionar entre Keep warm (Mantener caliente), Hold Temp (Conservar temperatura) y MW Off (Apagar microondas). Keep Warm (Mantener caliente) hará que el horno funcione con una potencia del 10 % por 60 minutos, Hold Temp (Conservar temperatura) mantiene el ciclo de cocción seleccionado después de que expira el temporizador, y MW Off (Apagar el microondas) desactiva el ciclo de cocción cuando expira el temporizador. Cuando se alcanza el tiempo de paro, el horno mantendrá la temperatura de forma predeterminada o se comportará como se establezca en el menú When Done (Cuando termine).
8. (Opcional) Después de que termine el ciclo de cocción, toque ADD 30 SEC. (Añadir 30 segundos). Esto añadirá automáticamente 30 segundos al tiempo de cocción.
9. Toque MICROWAVE CANCEL (Cancelar microondas), para apagar el horno.

Convection Broil (Asar a la parrilla por convección)

Durante el asado a la parrilla por convección, el elemento para asar se enciende y se apaga en intervalos a fin de mantener la temperatura del horno, mientras que el ventilador hace que el aire caliente circule.

El valor predeterminado de la temperatura es 550 °F (288 °C), pero se puede cambiar a otra temperatura. Los tiempos de cocción variarán según la posición de la parrilla y la temperatura y puede ser necesario ajustarlos.

Si la puerta del horno se abre durante el horneado por convección, el ventilador se apaga inmediatamente y se enciende tan pronto como se cierra la puerta. Los elementos de asado a la parrilla se apagan aproximadamente 30 segundos después de que se abra la puerta del horno. Se volverán a encender aproximadamente 30 segundos después de que la puerta se cierre.

NOTA: Es normal que el ventilador de convección funcione durante los ciclos que no son de convección y durante el precalentamiento.

Para Convection Broil (Asar a la parrilla por convección):

Para un funcionamiento ideal, deje que el horno se precaliente durante 5 minutos (no sonará ningún tono de precalentamiento). Coloque el alimento sobre la rejilla sin calentar en una charola para asar y después colóquela en el centro de la parrilla del horno con el costado más largo paralelo a la puerta.

Broil & Grill (Asar y asar a la parrilla)

La función de asar usa el elemento para asar a la parrilla y las microondas, para asar el alimento.

- La cavidad y la puerta del horno de microondas se calentarán mucho durante el ciclo de Grill (Dorar). Use guantes para horno.
- La rejilla para asar y la de convección se calentarán mucho. Use guantes para horno para agarrar la rejilla y sacarla del horno de microondas.
- Para piezas grandes como pollo, use la sartén de tostado abajo de la rejilla de convección o la de asar para atrapar gotitas.
- Para obtener los mejores resultados, use un poco de aceite de cocina en la rejilla para asar o la de convección.
- Cuando esté en uso el elemento para asar a la parrilla, el ventilador de enfriamiento se encenderá y así permanecerá durante hasta 10 minutos después de que se haya terminado el ciclo.

Utilice la siguiente tabla como guía.

Cuadro para asar

ALIMENTOS	CANTIDAD
Manual*	
Piezas de pollo con hueso	1-2 piezas

*Manual Grill (Asar de forma manual) requiere que se introduzca un tiempo de cocción.

Para usar Programmed Broil & Grill (Asar y asar a la parrilla programado):

NOTA: Para las unidades de combinación, toque MICROWAVE (Microondas) para acceder al menú del microondas.

1. Desde el menú Mode (Modo), seleccione Broil & Grill (Asar y asar a la parrilla).
2. Seleccione Piezas de pollo y luego toque NEXT (Siguiendo).
3. Desplácese para seleccionar el tamaño de la porción y luego toque NEXT (Siguiendo).
4. (Opcional) Para ajustar el término, toque DONENESS (Término), lea la información de la pantalla, y luego toque Doneness (Término). Seleccione More Done (Más cocido), Suggested (Sugerido), o Less Done (Menos cocido), y luego toque SET (Establecer).
5. Lea las recomendaciones de la pantalla y luego toque START (Iniciar).
6. Toque Microwave Cancel (Cancelar microondas), para apagar el horno.

7. (Opcional) Después de que termine el ciclo de cocción, toque el botón ADD 30 SEC. (Añadir 30 segundos). Esto añadirá automáticamente 30 segundos al tiempo de cocción.

NOTA: El ventilador enfriador del horno de microondas puede seguir funcionando varios minutos después de completado el ciclo de cocción. La cocción con microondas no continúa después de finalizado el ciclo de cocción.

Use Manual Broil & Grill (Asar y asar a la parrilla manual):

1. Desde el menú Mode (Modo), seleccione Broil & Grill (Asar y asar a la parrilla).
2. Seleccione Manual y luego toque NEXT (Siguiente).
NOTA: El nivel de potencia predeterminado es 0 %.
3. Ingrese un tiempo de cocción (–:–:–). La duración máxima es 89:59.
4. (Opcional) Para ajustar el nivel de potencia, toque Power (Potencia) 0 % y, desplácese para seleccionar un rango entre 1-40 % y luego toque SET (Establecer).
5. Toque START (Iniciar).
6. (Opcional) Después de que termine el ciclo de cocción, toque el botón ADD 30 SEC. (Añadir 30 segundos). Esto añadirá automáticamente 30 segundos al tiempo de cocción.
7. Toque Microwave Cancel (Cancelar microondas), para apagar el horno.

NOTA: El ventilador enfriador del horno de microondas puede seguir funcionando varios minutos después de completado el ciclo de cocción. La cocción con microondas no continúa después de finalizado el ciclo de cocción.

Cómo leudar pan

Al leudar el pan, la masa se prepara activando la levadura. Se recomienda leudar dos veces, a menos que la receta indique otra cosa.

Para leudar:

Para lograr un mejor funcionamiento, asegúrese de que la temperatura de la cavidad del horno esté por debajo de los 120 °F (49 °C) antes de poner la masa en la cavidad. Antes del primer leudado, coloque la masa en un tazón ligeramente engrasado y cúbrala de modo flojo con envoltura de plástico revestida de manteca o aerosol para cocinar. Coloque en una parrilla de la posición 2. Consulte “Colocación de las parrillas y los utensilios para hornear” para ver el diagrama. Cierre la puerta.

1. Toque PROOF (Leudar). La pantalla mostrará 100 °F (38 °C).
2. Toque START (Iniciar).
Deje que la masa se esponje hasta que esté casi al doble de su tamaño. Revise a los 20 y 25 minutos. El tiempo de leudado puede variar según el tipo y la cantidad de masa.
3. Toque CANCEL (Cancelar) para el horno seleccionado cuando termine el leudado.

Antes de poner a leudar la masa por segunda vez, dele forma, colóquela en los moldes para hornear y cúbrala ligeramente. Siga los mismos pasos detallados anteriormente para ubicar y controlar la masa. Antes de hornear, retire el papel encerado o la envoltura de plástico.

Sonda de temperatura

La sonda para temperatura mide con exactitud la temperatura interna de carnes aves y guisados con líquido y se debe usar para determinar el punto de cocción de la carne y el pollo. La sonda para temperatura solo debe usarse con los modos Bake (Hornear), Convect Bake (Hornear por convección) o Convect Roast (Asar por convección).

Siempre desenchufe y retire la sonda del horno cuando retire los alimentos.

Forma de uso:

Antes de usar, inserte la sonda en el alimento. Para las carnes, el extremo de la sonda se debe ubicar en el centro de la parte con más espesor de la carne y no dentro de grasa ni tocando un hueso. Coloque los alimentos dentro del horno y conecte la sonda de temperatura en el conector. Mantenga la sonda tan alejada de la fuente de calor como sea posible. Cierre la puerta del horno.

NOTA: La sonda para temperatura debe insertarse en el alimento antes de seleccionar el modo.

1. Toque el botón Power (Potencia) o seleccione “Probe Cook” (Cocción con sonda) desde el menú de modo.
2. Desplácese hasta el modo de cocción deseado.
3. Desplácese hasta la temperatura del horno deseada.
4. Desplácese hasta la temperatura de los alimentos deseada.
5. Toque START (Iniciar).

o Toque DELAY (Diferir) para diferir el ciclo de horneado.

Consulte la sección “Cocción programada” para establecer las horas de inicio y finalización diferidas.

Cocción programada

⚠ ADVERTENCIA

Peligro de intoxicación alimentaria

No deje sus alimentos en el horno por más de una hora antes o después de su cocción.

No seguir esta instrucción puede ocasionar intoxicación alimentaria o enfermedad.

Cook Time (Tiempo de cocción) y Delay Start (Inicio diferido) permiten que los hornos se programen para encenderse a una determinada hora del día, cocinar durante un tiempo determinado y/o apagarse automáticamente. El inicio diferido no debe usarse para alimentos como panes y pasteles, ya que es posible que no se horneen correctamente.

Para establecer el temporizador del horno:

El temporizador del horno apagará el horno seleccionado cuando termine el tiempo establecido. La duración máxima es 11:59:00.

1. Toque el modo de cocción deseado y desplácese hasta la temperatura del horno deseada, luego toque START (Iniciar).
2. Toque OVEN TIMER (Temporizador del horno) junto al modo de cocción y temperatura mostrados.
3. Desplácese hasta la duración deseada para el temporizador del horno.

4. Toque START (Iniciar).

O

Toque WHEN DONE (Cuando termine) para seleccionar el comportamiento del horno después de que termine el temporizador del horno. Elija entre HOLD TEMP (Mantener temperatura) (predeterminado), KEEP WARM (Mantener caliente) (Mantener caliente) y OVEN OFF (Horno apagado). Toque SET (Establecer).

Cuando el temporizador del horno termina, comenzará el comportamiento When Done (Cuando termine) y se mostrará un mensaje de TIMER ENDED AT XX: XX (El temporizador terminó a las XX: XX [la hora del día]).

Si están habilitados, sonarán los tonos de final de ciclo y después, los tonos sonarán cada minuto.

5. Toque CANCEL (Cancelar) para el horno seleccionado, o abra y cierre la puerta del horno, para borrar la pantalla y/o detener los tonos recordatorios.

Para establecer una hora de inicio diferido y una hora de finalización:

Antes de fijar el reloj, asegúrese de que esté en la hora correcta del día. Para hornos dobles, asegúrese de seleccionar el horno deseado antes de proceder.

1. Toque el modo de cocción deseado y desplácese hasta la temperatura del horno deseada.

NOTA: El inicio diferido se puede utilizar con la función Bread Proof (Leudar pan), pero la temperatura no es ajustable.

2. Toque DELAY (Diferir).

3. Desplácese hasta la hora deseada de "Cooking start at" (La cocción inicia a).

NOTA: Las horas de inicio y finalización se redondean al cuarto de hora más cercano (00:00, 00:15, 00:30 o 00:45)

4. Desplácese hasta la hora deseada de "Cooking end at" (La cocción termina a).

5. Toque SET (Establecer).

O

Toque START NOW (Iniciar ahora) para iniciar inmediatamente el temporizador de cocción.

La diferencia entre la hora de "Cooking start at" (La cocción inicia a) y "Cooking ends at" (La cocción termina a) se usa como el temporizador de cocción.

El horno se encenderá automáticamente cuando haya alcanzado la hora de inicio. La cuenta regresiva en minutos aparecerá en la pantalla del horno.

Cuando el temporizador del horno termina, comenzará el comportamiento When Done (Cuando termine) y se mostrará un mensaje de TIMER ENDED AT XX: XX (El temporizador terminó a las XX: XX [la hora del día]).

Si están habilitados, sonarán los tonos de final de ciclo y, después, los tonos recordatorios sonarán cada minuto.

6. Toque CANCEL (Cancelar) para que el horno seleccionado cancele el ciclo actual y regrese al menú principal.

Si la puerta del horno se abre y se cierra después de que finaliza el ciclo, la pantalla se borrará y los tonos recordatorios se detendrán, pero el horno continuará funcionando en el comportamiento de fin de ciclo seleccionado (Keep Warm [Mantener caliente] es el comportamiento predeterminado).

Uso de combinación de microondas

El magnetrón del horno produce microondas que se reflejan del piso de metal, las paredes y el techo y atraviesan la bandeja giratoria y los utensilios adecuados hasta los alimentos. La grasa, el azúcar y las moléculas de agua de los alimentos atraen y absorben las microondas, que los hace mover y producir la fricción y el calor que cocinan los alimentos.

- Para evitar daños al horno de microondas, no se apoye en la puerta ni permita que los niños jueguen con ella.
- Para evitar daños al horno de microondas, no lo haga funcionar vacío.
- La bandeja giratoria debe estar en su lugar con el lado correcto hacia arriba cuando el horno de microondas esté en uso. No lo use si la bandeja giratoria está desportillada o quebrada. Para obtener información sobre cómo realizar pedidos, consulte la Guía rápida de inicio.
- Los biberones y los tarros de comida para bebé no se deben calentar en el horno de microondas.
- No se debe secar ropa, flores, fruta, hierbas, madera, jarcas, papel, incluso bolsas de papel marrón y periódico en el horno de microondas.
- La cera de parafina no se derretirá en el horno porque no absorbe las microondas.
- Use guantes para hornear o agarraderas para retirar recipientes del horno de microondas.
- No recueza las papas. Al cabo del tiempo de cocción recomendado, las papas deberán estar ligeramente firmes. Déjelas reposar durante 5 minutos. Se terminarán de cocinar durante el reposo.
- No cocine ni recaliente huevos enteros dentro de la cáscara. La acumulación de vapor en los huevos enteros puede causar que estallen. Cubra los huevos escalfados y déjelos reposar por cierto tiempo.

Características de los alimentos

Al cocinar con microondas, la cantidad, el tamaño y la forma, la temperatura de inicio, la composición y la densidad de los alimentos afectan los resultados de la cocción.

Cantidad de alimentos

Cuanto mayor sea la cantidad de alimentos que se caliente simultáneamente, más tiempo de cocción se necesitará. Verifique el grado de cocción y agregue breves incrementos de tiempo si fuera necesario.

Tamaño y forma

Los pedazos de alimentos más pequeños se cocinarán con mayor rapidez que los pedazos grandes y los alimentos de forma pareja se cocinarán con mayor uniformidad que los de forma irregular.

Temperatura inicial

Los alimentos que estén a temperatura ambiente se calentarán con mayor rapidez que los refrigerados y los alimentos refrigerados se calentarán con mayor rapidez que los congelados.

Composición y densidad

Los alimentos con alto contenido de grasa y de azúcar alcanzarán mayor temperatura y se calentarán con mayor rapidez que otros alimentos. Los alimentos pesados y densos, como la carne y papas necesitan un tiempo de cocción más prolongado que el mismo tamaño de alimentos con densidad ligera y porosa como los pasteles o tortas.

Pautas para cocinar

Cubrir

Cubrir los alimentos ayuda a retener la humedad, acortar el tiempo de cocción y producir menos salpicaduras. Use la tapa provista con los utensilios de cocina. Si no tiene una tapa, puede usar papel de cera, toallas de papel o envoltorios de plástico aptos para hornos de microondas. Los envoltorios de plástico se deben doblar en una esquina para proporcionar una abertura para que salga el vapor. La condensación en la puerta y en las superficies de la cavidad es normal durante una cocción intensa.

Revolver y voltear los alimentos

Al revolver y voltear los alimentos, el calor se redistribuye uniformemente y se evita recocer los bordes exteriores de los alimentos. Revuelva de afuera hacia el centro. De ser posible, dé vuelta los alimentos de abajo hacia arriba.

Disponer los alimentos

Al calentar alimentos de tamaño irregular o de diversos tamaños, las partes más delgadas y los alimentos más pequeños deben disponerse hacia el centro. Al cocinar varios alimentos del mismo tamaño y forma, colóquelos en círculo, dejando vacío el centro del círculo.

Pinchar los alimentos

Antes de calentar, use un tenedor o un cuchillo pequeño para pinchar o hacer piquetes en los alimentos que tienen cáscara o piel, como las papas, yemas de huevo, hígados de pollo, hot dogs y salchichas. Perfore en varios lugares para dejar que salga el vapor.

Proteger los alimentos

Use pedazos pequeños y planos de papel de aluminio para proteger las partes delgadas de alimentos de forma irregular, huesos y alimentos como las alas de pollo, puntas de patas de pollo y colas de pescado. Consulte primero la sección "Papel de aluminio y metal".

Tiempo de reposo

Los alimentos continuarán cocinándose por la conducción natural del calor aún después de terminado el ciclo de cocción por microondas. La duración del tiempo de reposo depende del volumen y la densidad de los alimentos.

Encendido/apagado de la bandeja giratoria

Para un mejor funcionamiento, la bandeja giratoria debe estar encendida durante la cocción con microondas.

Si utiliza utensilios grandes que no se mueven con libertad en la bandeja giratoria, desactívela. Consulte la sección "Bandeja giratoria" para ver información adicional.

Durante la cocción del microondas con la bandeja giratoria apagada, los alimentos deben darse vuelta a la mitad del proceso de cocción.

Utensilios de cocina y vajilla

Los utensilios de cocina y la vajilla deben caber en la bandeja giratoria. Siempre use guantes para hornear o agarraderas para manipular los utensilios, ya que cualquier plato puede calentarse por el calor transferido de los alimentos. No use utensilios ni vajilla con bordes dorados o plateados. Use el cuadro siguiente a modo de guía y luego pruebe los utensilios antes de utilizarlos.

MATERIAL	RECOMENDACIONES
Papel de aluminio, metal	Consulte la sección "Papel de aluminio y metal".
Plato para dorar	El fondo debe estar al menos a 3/16" (5 mm) por encima de la bandeja giratoria. Siga las recomendaciones del fabricante.
Vidrio de cerámica, vidrio	Se puede usar.
Porcelana, loza de barro	Siga las recomendaciones del fabricante.
Melamina	Siga las recomendaciones del fabricante.
Papel: Toallas, vajilla, servilletas	Use papel no reciclado y los que el fabricante apruebe como aptos para horno de microondas.
Plástico: Envoltorios, bolsas, cubiertas, vajilla, recipientes	Use los que el fabricante apruebe como aptos para horno de microondas.
Cerámica, arcilla	Siga las recomendaciones del fabricante.
Utensilios para hornear de silicona	Siga las recomendaciones del fabricante.
Recipientes de paja, de mimbre y de madera	No los use en el horno de microondas.
Espuma de estireno [†]	No los use en el horno de microondas.
Papel de cera	Se puede usar.

Para probar los utensilios de cocina o la vajilla que se usarán en el microondas:

1. Coloque los utensilios de cocina o vajilla en el horno microondas con 1 taza (250 ml) de agua al lado.
2. Cocine a una potencia del 100 % durante un minuto.

No use el utensilio de cocina ni la vajilla si se pone caliente y el agua permanece fría.

Papel de aluminio y metal

Siempre use guantes para hornear o agarraderas al retirar los recipientes del horno de microondas.

El papel de aluminio y algunos tipos de metal pueden usarse en el horno de microondas. Si no se usan debidamente, pueden producir chispas (ráfagas azules de luz) y causar daños al horno de microondas.

[†]STYROFOAM es una marca registrada de The Dow Chemical Company.

Uso permitido

Las rejillas y los utensilios para hornear provistos con el horno de microondas (en algunos modelos), el papel de aluminio para protección y los termómetros para carne aprobados se pueden utilizar teniendo en cuenta las siguientes pautas:

- Para evitar daños al horno de microondas, no permita que el papel de aluminio o el metal toquen las paredes, el techo o el piso de la cavidad interior.
- Siempre use la bandeja giratoria.
- Para evitar daños al horno de microondas, evite el contacto con otros objetos metálicos durante la cocción por microondas.

Uso no permitido

No deben utilizarse en el horno de microondas utensilios de cocina y de hornear metálicos, oro, plata, peltre, termómetros para carne no aprobados, pinchos, precintos, forros de papel metálico como envoltorios para emparedados, grapas y objetos con bordes de oro o plata con glaseado metálico.

Potencia de cocción del microondas

Muchas recetas para cocinar en microondas especifican la potencia de cocción que se debe utilizar por porcentaje, por nombre o por número. Por ejemplo, 70 % = Medio-Alto.

Use la tabla siguiente como guía general para la potencia de cocción sugerida para alimentos específicos.

Tabla de potencia de cocción con microondas

PORCENTAJE/ NOMBRE	NÚMERO	USO
100 %, Alta (valor predeterminado)	10	Calentar rápidamente alimentos preparados y alimentos con alto contenido de agua, como sopas, bebidas y la mayoría de las verduras.
90 %	9	Cocinar trozos pequeños de carne tierna, carne molida, trozos de ave y filetes de pescado. Calentar sopas cremosas.
80%	8	Calentar arroz, pasta o guisados. Cocinar y calentar alimentos que necesitan una potencia de cocción más baja que la alta. Por ejemplo, pescado entero y rollo de carne molida.
70 %, Media-Alta	7	Recalentar una sola porción de comida.
60%	6	Cocinar alimentos delicados como platos con queso y huevos, budines y natillas. Cocinar guisados que no pueden revolverse, como la lasaña.
50 %, Media	5	Cocinar jamón, aves enteras y cazuelas. Cocinar estofados de manera lenta.

PORCENTAJE/ NOMBRE	NÚMERO	USO
40%	4	Derretir chocolate. Calentar pan, bollos y pasteles.
30 %, Media-Baja, Defrost (Descongelar)	30	Descongelar pan, pescado, carnes, aves y alimentos precocidos.
20%	2	Ablandar mantequilla, queso y helado.
10 %, Baja	1	Llevar las frutas a temperatura ambiente.

NOTA: Un porcentaje de 0 % también es aceptable. No calentará.

Sensor de cocción

Durante la función Sensor Cook (Cocción con sensor), un sensor ajusta automáticamente el tiempo de cocción y el nivel de potencia.

La pantalla del horno de microondas mostrará la cuenta regresiva del tiempo una vez que el sensor identifique la duración de la cocción.

Si la puerta del horno de microondas se abre durante una función con sensor, el horno de microondas se apagará y se cancelarán todas las funciones adicionales.

Para un rendimiento óptimo de la cocción:

Antes de usar una función de cocción con sensor, asegúrese de que el horno de microondas haya estado enchufado por lo menos 2 minutos, que la temperatura ambiente no supere los 95 °F (35 °C) y que el exterior del recipiente de cocción y la cavidad del horno de microondas estén secos.

Mis creaciones

My Creations (Mis creaciones) permite la personalización de los procesos de cocción. Cuando selecciona My Creations (Mis creaciones) en el menú principal se muestra una lista de creaciones existentes y es posible crear otras nuevas.

1. Desde el menú Cooking Mode (Modos de cocción), desplácese hasta que aparezca My Creations (Mis creaciones).
2. Seleccione entre Create New (Crear nueva), Use Saved (Usar guardada) o Delete/Edit (Borrar/editar).
NOTA: La primera vez que se utiliza MY CREATIONS (Mis creaciones), solo aparecerá Create New (Crear nueva).
3. Toque el botón Create New (Crear nueva) y luego toque NEXT (Siguiente).
4. Seleccione el modo de cocción deseado. Elija entre Convection Roast (Asar por convección), Convection Bake (Hornear por convección), Steam Cook (Cocción al vapor), Defrost (Descongelar), Reheat (Recalentar), Cook (Cocinar), Keep Warm (Mantener caliente), Soften (Ablandar), Melt (Derretir), Boil & Simmer (Hervir y hervir a fuego lento), Broil & Grill (Asar y asar a la parrilla) y Browning Pan (Sartén para dorar).
5. Ingrese un tiempo de cocción (—:—:—).
NOTA: La duración total máxima de todas las tres etapas disponibles es 12:00:00.
6. Toque POWER (Potencia) para ajustar la potencia de cocción, selecciónela y luego toque SET (Establecer).

o

- Si elige Convect Bake (Hornear por convección) o Convect Roast (Asar por convección), elija una temperatura de cocción entre 170 °F y 450 °F (77 °C y 232 °C), toque NEXT (Siguiendo), ingrese el tiempo de cocción (–:–:–), y luego toque SET (Establecer) y vaya al paso 9.
NOTA: En el modo “Convect Bake” (Hornear por convección), no está disponible la selección de nivel de potencia.
- Toque NEXT (Siguiendo).
- Revise su configuración. Si se necesita una etapa adicional, toque la etapa que desea establecer, y luego toque ADD (Añadir).
NOTA: Cada etapa muestra la siguiente información: Mode (Modo), Power/Temperature (Potencia/temperatura) y Cook Time (Tiempo de cocción). Es posible tener tres etapas.
- Ingrese la información en cada etapa, y luego toque SAVE (Guardar).
- Use el control giratorio para seleccionar el menú de atajos donde se guardará la creación.
- Toque SAVE (Guardar) u OVERWRITE (Sobreescribir). Aparecerá la palabra Overwrite (Sobreescribir) si hay una creación previa guardada en el menú de atajos elegido.

Para usar lo guardado

- Use el control giratorio para seleccionar Use Saved (Usar lo guardado) desde la selección del menú, y luego toque NEXT (Siguiendo).
- Seleccione la creación de cocina que desee usar, y luego toque START (Iniciar).
NOTA: Es posible que se le solicite que abra y cierre la puerta antes de que la creación pueda comenzar a cocinarse.

Para borrar

- Use el control giratorio para seleccionar Delete/Edit (Borrar/Editar) en la selección del menú y luego toque NEXT (Siguiendo).
- Con el control giratorio, seleccione la creación que desea borrar.
- Toque DELETE (Iniciar).

Para editar

- Use el control giratorio para seleccionar Delete/Edit (Borrar/Editar) en la selección del menú y luego toque NEXT (Siguiendo).
- Con el control giratorio, seleccione la creación que desea editar y luego toque EDIT (Editar).
- Use el control giratorio para seleccionar la etapa que va a modificar y luego toque EDIT (Editar).
NOTA: Si una etapa está vacía, puede tocar ADD (Añadir) para agregar una acción a esa etapa.
- Seleccione el modo de cocción deseado. Elija entre Convect Roast (Asar por convección), Convect Bake (Hornear por convección), Steam Cook (Cocción al vapor), Defrost (Descongelar), Reheat (Recalentar), Cook (Cocinar), Keep Warm (Mantener caliente), Soften (Ablandar), Melt (Derretir), Boil & Simmer (Hervir y hervir a fuego lento), Broil & Grill (Asar y asar a la parrilla) y Browning Pan (Sartén para dorar).
- Ingrese un tiempo de cocción (–:–:–).
NOTA: La duración total máxima de todas las tres etapas disponibles es 12:00:00.
- Toque POWER (Potencia) para ajustar la potencia de cocción, selecciónela y luego toque SET (Establecer).
o
Si elige Convect Bake (Hornear por convección) o Convect Roast (Asar por convección), elija una temperatura de cocción entre 170 °F y 450 °F (77 °C y 232 °C), toque NEXT (Siguiendo), ingrese el tiempo de cocción (–:–:–), y luego toque SET (Establecer) y vaya al paso 8.
- Toque NEXT (Siguiendo).

- Revise su configuración. Si se necesita una etapa adicional, toque la etapa que desea establecer, y luego toque ADD (Añadir).
NOTA: Cada etapa muestra la siguiente información: Mode (Modo), Power/Temperature (Potencia/temperatura) y Cook Time (Tiempo de cocción). Es posible tener tres etapas.
- Ingrese la información en cada etapa y luego toque SAVE (Guardar).
- Use el control giratorio para seleccionar el menú de atajos donde se guardará la creación.
- Toque SAVE (Guardar) u OVERWRITE (Sobreescribir). Aparecerá la palabra Overwrite (Sobreescribir) si hay una creación previa guardada en el menú de atajos elegido.

Funciones de cocción

- Toque el botón POWER (Potencia) o toque el botón MICROWAVE (Microondas) (en modelos de hornos de combinación).
- Seleccione el modo de cocción deseado. Elija entre Convect Roast (Asar por convección), Convect Bake (Hornear por convección), Convert Recipe for Convection (Convertir receta para convección), Steam Cook (Cocción al vapor), SpeedCook (Cocción rápida), My Creation (Mi creación), Auto Cook (Cocción automática), Defrost (Descongelar), Reheat (Recalentar), Cook (Cocinar), Popcorn (Palomitas de maíz), Baked Potato (Papa al horno), Beverage (Bebidas), Keep Warm (Mantener caliente), Soften (Ablandar), Melt (Derretir), Boil & Simmer (Hervir y hervir a fuego lento), Broil & Grill (Asar y asar a la parrilla) y Browning Pan (Sartén para dorar).
- Ingrese un tiempo de cocción (–:–:–). La duración máxima es 01:29:59.
NOTA: La selección del tiempo de cocción no está disponible para los modos de cocción por sensor.
- Para ajustar el nivel de potencia de cocción, toque POWER (Potencia), seleccione la potencia deseada, luego toque SET (Establecer). Los rangos disponibles aparecen en la siguiente tabla.

MODO	RANGO
Convect Roast (Asar por convección)	170–450 °F (77–232 °C)
	Predeterminado 325 °F (163 °C) a 0 % de potencia
	Potencia: 0–30 % (Predeterminado 0 %)
Convect Bake (Hornear por convección)	170–450 °F (77–232 °C)
	Predeterminado 325 °F (163 °C)
Convert Recipe For Convection (Convertir la receta para convección)	Roast (Rostizar)
	Bake (Hornear) (Predeterminado)
	170–450 °F (77–232 °C)
	Predeterminado 325 °F (163 °C)
Steam Cook (Cocción al vapor)	Manual (Predeterminado a 100 % de potencia)
	Espárragos
	Brócoli
	Zanahorias
	Coliflor

MODO	RANGO
	Mazorcas de maíz
	Filetes de pescado
	Verduras congeladas
	Arvejas
	Papas
	Camarones
	Espinaca
	Zapallo de verano
Alimentos de cocción rápida	Panes
	Guisado
	Alimentos preparados (Predeterminado)
	Postre
	Pescado
	Carnes
	Aves
	Verduras
My Creation (Mi creación)	Crear nueva (Predeterminado)
Auto Cook (Cocción automática)	Asado de carne de res
	Pan
	Galletas
	Plato principal congelado
	Cereal caliente (Predeterminado)
	Huevos revueltos
Defrost (Descongelar)	Pan
	Pescado
	Jugo
	Carnes
	Manual (Predeterminado a 20% de potencia)
	Aves
	Mariscos
Reheat (Recalentar)	Manual (Predeterminado a 100 % de potencia)
	Guisado
	Plato de cena
	Rebanada de pizza
	Salsa
	Sopa

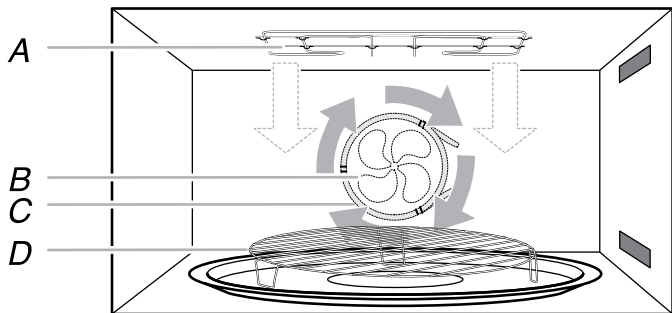
MODO	RANGO
Cook (Cocinar)	00:01–89:59
	10–100% (Predeterminado 100%)
Palomitas de maíz	Bolsa de 1,75 de 3,5 oz
Papa al horno	4 papas
	3 papas
	2 papas
	1 papa (Predeterminado)
Bebidas	2 tazas (16 oz)
	1 taza (8 oz) (Predeterminado)
Keep Warm (Mantener caliente)	00:01–89:59 (Predeterminado 60:00 a 10 % de potencia)
Soften (Ablandar)	Manual (Predeterminado a 20% de potencia)
	Mantequilla
	Queso crema
	Helado
	Margarina
Melt (Derretir)	Manual (Predeterminado a 30% de potencia)
	Mantequilla
	Queso
	Chocolate
	Margarina
	Malvaviscos
Boil & Simmer (Hervir y cocinar a fuego lento)	Manual (Predeterminado a 100 % de potencia)
	Tallarines finos secos
	Macaroni secos
	Mostacholes secos
	Rotini secos
	Espaguetis secos
	Macarrones planos
	Arroz largo
	Ravioles
	Tortelines
	Arroz corto
Broil & Grill (Asar y asar a la parrilla)	Manual (Predeterminado a 0% de potencia)
	Piezas de pollo

MODO	RANGO
Browning Pan (Sartén para dorar)	Manual (Predeterminado a 100 % de potencia)
	Tocino
	Pechugas sin hueso
	Papas fritas a la francesa
	Hamburguesas
	Rollos de pizza
	Tortitas de papa
	Pizza masa elevada
Pizza masa fina	

5. Toque START (Iniciar). La pantalla hará la cuenta regresiva del tiempo de cocción. Cuando se llegue a la hora de detención, el horno se apagará automáticamente.
Si están habilitados, sonarán los tonos de fin de ciclo.
6. Toque MICROWAVE CANCEL o CANCEL MICROWAVE (en modelos de hornos de combinación) (Cancelar microondas) o abra la puerta para borrar la pantalla.

NOTA: El ventilador enfriador del horno de microondas puede seguir funcionando varios minutos después de completado el ciclo de cocción. La cocción con microondas no continúa después de finalizado el ciclo de cocción.

Conversión a convección automática



- Elemento para asar a la parrilla
- Ventilador de convección
- Elemento de convección
- Rejilla para asar o rejilla de convección

La cocción por convección usa el elemento de convección, el elemento de asar al horno y el ventilador. El ventilador hace que el aire caliente circule por toda la cavidad del horno. El aire en movimiento constante rodea los alimentos para calentar la parte exterior rápidamente.

- La función de convección se puede usar para cocinar cantidades pequeñas de alimentos sobre una sola rejilla.
- Use siempre la rejilla para asar o la de convección colóquela sobre la bandeja giratoria.
- Para evitar dañar el horno de microondas, no tape la bandeja giratoria, la rejilla para asar o de convección, ni la bandeja para hornear con papel aluminio.
- No use recipientes de plástico ligeros, envoltorio de plástico o productos de papel. En la cocción por convección se puede usar recipientes a prueba de calor o utensilios metálicos. Las charolas redondas para pizza son excelentes para cocinar por convección.

- Cuando esté en uso el elemento para asar a la parrilla, el ventilador de enfriamiento se encenderá y así permanecerá durante hasta 10 minutos después de que se haya terminado el ciclo.
- Use la cocción por convección cuando cocine alimentos como suflés, panes, galletas, pasteles de ángel, pizza y la mayoría de carnes y pescado.

La conversión automática por convección es una función que convierte un tiempo y temperatura de cocción de horneado térmico estándar en un tiempo y temperatura de cocción ideales para la cocción por convección.

Las temperaturas y los tiempos de cocción por convección son diferentes de los de la cocción común. El horno reducirá automáticamente las temperaturas y tiempos de las recetas estándar para la cocción por convección.

Es posible que la conversión no sea exacta, ya que los alimentos se agrupan en categorías generales.

Utilice la siguiente tabla como guía.

Tabla de convección

AJUSTE	ALIMENTOS
Bake (Hornear)	Guisados y alimentos horneados
Roast (Rostizar)	Carnes y verduras

Para utilizar la conversión de receta:

1. Si no requiere precalentar, coloque los alimentos en el horno o en la rejilla de convección sobre la bandeja giratoria y cierre la puerta.
2. Toque POWER (Potencia) o MICROWAVE (Microondas) (en los modelos de hornos de combinación).
3. Desde el menú de modo de Cocina, seleccione Convert Recipe (Convertir receta para convección).
4. Seleccione entre Roast (Asar), Bake (Hornear), para convertir una receta tradicional a un método de cocción por convección. Toque NEXT (Siguiendo).
5. Ingrese la temperatura estándar entre 170 °F y 450 °F (77 °C y 232 °C).
6. Toque NEXT (Siguiendo).
7. Seleccione el tiempo de horneado/asado de la receta original y toque SET (Establecer).
o
8. Toque SKIP TIMER (Saltar temporizador) para avanzar al siguiente paso.
9. Toque START (Iniciar). Si se requiere precalentar, ponga los alimentos en el horno o en la rejilla de convección sobre la bandeja giratoria después del tono de precalentado. La pantalla hará la cuenta regresiva del tiempo de cocción. Cuando se alcanza la hora de paro, el horno mostrará Cooking Ended (Cocción terminada) y pasará a conservar la temperatura, que mantiene la temperatura del horno. Si están habilitados, sonarán los tonos de fin de ciclo.
10. (Opcional) Después de que termine el ciclo de cocción, toque el botón ADD 30 SEC. (Añadir 30 segundos). Esto añadirá automáticamente 30 segundos al tiempo de cocción.
11. Toque MICROWAVE CANCEL (Cancelar microondas), para apagar el horno de microondas.

Defrost (Descongelar)

Se puede usar la función Defrost (Descongelar), o el horno de microondas se puede ajustar para descongelar con potencia de cocción del 20 %.

- Para obtener resultados óptimos, los alimentos deben estar a 0 °F (-18 °C) o más fríos al descongelarlos.
- Quite el envoltorio de los alimentos y retire las tapas (de los jugos de fruta) antes de descongelar.
- Los paquetes poco profundos se descongelarán con más rapidez que los bloques profundos.
- Separe los trozos de alimentos lo antes posible, durante o al final del ciclo, para lograr un descongelado más uniforme.
- Los alimentos que quedan fuera del congelador más de 20 minutos o los alimentos listos para consumir congelados no deben descongelarse con la función Custom Defrost (Descongelado personalizado) sino manualmente.
- Use pedazos pequeños de papel de aluminio para proteger partes de los alimentos como las alas y las puntas de las patas del pollo y las colas de los pescados. Consulte primero la sección "Papel de aluminio y metal".
- Se han programado previamente tiempos y potencias de cocción para descongelar varios tipos de alimentos. Para cada categoría, puede ingresarse una cantidad precisa de alimento o seleccionarse cantidades preprogramadas.

Alimentos de cocción rápida

La función de SpeedCook (Cocción rápida) utiliza el elemento para asar a la parrilla, elemento de convección y ventilador, y microondas. Todo el ciclo se enciende y se apaga en intervalos.

- Los utensilios para hornear y las superficies interiores del horno, incluida la puerta, se calentarán.
- Utilice siempre un termómetro de lectura instantánea para determinar el grado de cocción de las carnes y aves.
- Use utensilios para hornear aptos para microondas.
- No use cubiertas o recipientes hechos de papel de aluminio, papel, papel encerado o plástico no recomendado para su uso en un horno convencional.
- Al asar, las carnes y aves pueden salpicar. Para facilitar la limpieza, pueden usarse bolsas de plástico para horno diseñadas para uso en hornos convencionales. Siga las recomendaciones del fabricante.
- Cuando use la rejilla para asar o la de convección, colóquela directamente en la bandeja giratoria.
- Acomode las piezas de alimento en una sola capa sobre la sartén doradora o plato para hornear.

Antes de cocinar a velocidad, coloque los alimentos en el horno y cierre la puerta. No necesita precalentar.

Cómo utilizar la opción de alimentos de cocción rápida:

NOTA: Para las unidades de combinación, toque MICROWAVE (Microondas) para acceder al menú del microondas.

1. Desde el menú Mode (Modo), seleccione SPEEDCOOK FOODS (Alimentos de cocción rápida).
2. Desplácese hasta la categoría de alimentos deseada y toque NEXT (Siguiente).
3. Desplácese hasta el alimento deseado y toque NEXT (Siguiente).
NOTA: Algunas selecciones de cocción pueden solicitar información adicional, como peso de los alimentos o tamaño de la sartén. Si esto ocurre, haga la selección adecuada y toque NEXT (Siguiente).
4. Lea y siga las instrucciones de cocción de la pantalla.

5. Toque START (Iniciar) para iniciar el ciclo.
o
Toque DONENESS (Término) y desplácese para seleccionar entre More Done (Más cocido), Suggested (Sugerido), o Less Done (Menos cocido), y luego toque SET (Establecer) para regresar a la pantalla anterior, y luego toque START (Inicio) para que comience el ciclo de cocción.
6. Toque MICROWAVE CANCEL (Cancelar microondas), para apagar el horno.

AJUSTE	CANTIDAD
Carnes	
Costillas de cerdo con hueso	0,4 - 1,5 lb (0,2- 0,7 kg)
Rosbif sin hueso	1,5 - 5,0 lb (0,7- 2,3 kg)
Jamón sin hueso	1,0 - 4,5 lb (0,5- 2,0 kg)
Chuletas de cerdo sin hueso	0,3 - 1,6 lb (0,1- 0,7 kg)
Asado de cerdo deshuesado	1,0 - 5,0 lb (0,5- 2,3 kg)
Pastel de carne	1,5 - 2,0 lb (0,7- 0,9 kg)
Albóndigas	20 piezas
Bistec suizo	1,0 - 2,0 lb (0,5- 0,9 kg)
Aves	
Frituras de pollo congeladas	5-20 piezas
Pechuga de pollo	0,2 - 2,0 lb (0,1- 0,9 kg)
Croquetas de pollo	6-24 piezas
Piezas de pollo - con piel	0,5 - 2,0 lb (0,2- 0,9 kg)
Pollo frito congelado	4-8 piezas
Pechuga de pavo	3,0 lb (1,4 kg)
Pollo entero	3,0 - 5,5 lb (1,4- 2,5 kg)
Piezas de pollo con hueso	0,5 - 2,0 lb (0,2- 0,9 kg)
Alitas de pollo congeladas	0,5 - 1,5 lb (0,2- 0,7 kg)
Pescado	
Filetes de pescado	0,4 - 1,2 lb (0,2- 0,5 kg)
Palitos de pescado congelados	4-16 piezas
Pescado congelado, rebozado	2-8 piezas
Panes	
Panecillos refrigerados - grande, 1 sartén	8 piezas
Panecillos refrigerados - pequeño, 1 sartén	10 piezas
Roles de canela - grande, 1 sartén	5 piezas
Roles de canela - pequeño, 1 sartén	8 piezas
Rollos de media luna - 1 sartén	8 piezas

AJUSTE	CANTIDAD
Palitos de pan congelados - 1 sartén	6 piezas
Pan de ajo/queso - 1 hogaza	8 oz (226,8 g)
Verduras	
Papas al horno	1-8 papas
Papas fritas a la francesa	3 - 12 oz (85,0- 340,2 g)
Aros de cebolla congelados	4 - 16 oz (113,4- 453,6 g)
Croquetas de papa congeladas	3 - 12 oz (85,0- 340,2 g)
Piel de papa congeladas	1-4 porciones
Cuñas de papa congeladas	1-4 porciones
Verduras asadas	2-8 tazas (500 ml-2000 ml)
Camotes	1-6 papas
Postres	
Brownies - (Sartén de 8" x 8" [20,3 x 20,3 cm] o 9" x 13" [22,9 x 33 cm])	–
Pastel, tarta bretona	–
Masa para galleta - 1 sartén	8 galletas
Guisado	
Guisado recién hecho - (Sartén de 8" x 8" [20,3 x 20,3 cm] o 9" x 13" [22,9 x 33 cm])	–
Lasaña recién hecha - (Sartén de o 8" x 8" [20,3 x 20,3 cm])	–
Lasaña congelada	10,0 - 60,0 oz (284 g- 1,7 g)
Alimentos precocinados	
Bocaditos de bagel	9 piezas
Palitos de queso	4-16 piezas
Rollitos primavera congelados	1-8 piezas
Torreja congelada	1-4 piezas
Salchichas congeladas	2-10 piezas
Pastelitos de embutidos congelados	2-8 piezas
Waffles congelados	1-4 piezas
Hot dogs	2-10 piezas
Jalapeño poppers	5-20 piezas
Nachos - 1 sartén	–
Pizza - recalentar	1-4 rebanadas

Cook (Cocinar)

Para utilizar Manual Cook (Cocción manual):

NOTA: Para las unidades de combinación, toque MICROWAVE (Microondas) para acceder al menú del microondas.

- Desde el menú Mode (Modo), seleccione Cook (Cocinar) (modo predeterminado).
NOTA: El ajuste de potencia predeterminado es 100 %.
- Desplácese para ingresar un tiempo de cocción (–:–). La duración máxima es 89:59.
- (Opcional) Para ajustar el nivel de potencia, toque "Power 100 %", desplácese para seleccionar el nivel de potencia deseado y luego toque SET (Establecer). El rango es entre 10 % y 100 %.
- Toque START (Iniciar).
Cuando se llegue a la hora de detención, el horno se apagará automáticamente.
NOTA: El ventilador enfriador del horno de microondas puede seguir funcionando varios minutos después de completado el ciclo de cocción. La cocción con microondas no continúa después de finalizado el ciclo de cocción.
- (Opcional) Después de que termine el ciclo de cocción, toque el botón ADD 30 SEC. (Añadir 30 segundos). Esto añadirá automáticamente 30 segundos al tiempo de cocción.
- Toque Microwave Cancel (Cancelar microondas), para apagar el horno.

Palomitas de maíz

Haga reventar solo un paquete a la vez.

Escuche hasta que se reduzca la velocidad del proceso de reventado hasta 1 cada 1 o 2 segundos; después, detenga el ciclo.

Para usar el modo Popcorn (Palomitas de maíz):

- Desde el menú Mode (Modo), seleccione Popcorn (Palomitas de maíz).
- (Opcional) Para ajustar el término, toque DONENESS (Término), lea la información de la pantalla, y luego toque DONENESS (Término). Seleccione More Done (Más cocido), Suggested (Sugerido), o Less Done (Menos cocido), y luego toque SET (Establecer).
- Toque START (Iniciar).
- Toque Microwave Cancel (Cancelar microondas), para apagar el horno.

Cuando se llegue a la hora de detención, el horno se apagará automáticamente.

NOTA: El ventilador enfriador del horno de microondas puede seguir funcionando varios minutos después de completado el ciclo de cocción. La cocción con microondas no continúa después de finalizado el ciclo de cocción.

Bebidas

Use un recipiente apto para hornos de microondas.

No cubra.

Para usar el modo Beverage (Bebidas):

NOTA: Para las unidades de combinación, toque MICROWAVE (Microondas) para acceder al menú del microondas.

- Desde el menú Mode (Modo), seleccione BEVERAGE (Bebidas).
- Seleccione la cantidad.

- (Opcional) Para ajustar el término, toque DONENESS (Término), lea la información de la pantalla, y luego toque Doneness (Término). Seleccione More Done (Más cocido), Suggested (Sugerido), o Less Done (Menos cocido), y luego toque SET (Establecer).
- Toque START (Iniciar).
- Toque Microwave Cancel (Cancelar microondas), para apagar el horno.

Cuando se llegue a la hora de detención, el horno se apagará automáticamente.

NOTA: El ventilador enfriador del horno de microondas puede seguir funcionando varios minutos después de completado el ciclo de cocción. La cocción con microondas no continúa después de finalizado el ciclo de cocción.

Steam (Vapor)

Steam (Vapor) es una función de cocción con sensor que usa microondas para cocer los alimentos al vapor. Use la cocción al vapor para alimentos como verduras, pescados y papas.

- Se han programado previamente tiempos y potencias de cocción al vapor de varios tipos de alimentos.
- Use una vaporera apta para microondas.

Utilice la siguiente tabla como guía.

Cuadro de cocción al vapor

ALIMENTOS	CANTIDAD
Manual*	–
Espárragos	8– 16 oz
Brócoli	2–6 tazas
Zanahorias	2–6 tazas
Coliflor	2–6 tazas
Mazorcas de maíz	2–4 mazorcas
Filetes de pescado	0,5–1,5 lb
Verdurascongeladas	2–6 tazas
Arvejas	2–6 tazas
Papas	2–6 tazas
Camarones	5– 8 oz
Espinaca	4–8 tazas
Zapallo de verano	2–6 tazas

*Manual Steam (Cocción al vapor manual) requiere que se introduzca un tiempo de cocción.

(Opcional) Modifique el punto de los alimentos tocando el tablero Doneness (Término). Seleccione More Done (Más cocido), Suggested (Sugerido) o Less Done (Menos cocido), luego toque SET (Establecer), revise los ajustes de cocción, y luego toque START (Iniciar).

Melt (Derretir)

La función Melt (Derretir) puede utilizarse para derretir alimentos. Se han programado previamente tiempos y potencias de cocción para varios tipos de alimentos. Utilice la siguiente tabla como guía.

Tabla de derretido

ALIMENTOS	CANTIDAD
Manual*	–
Mantequilla	1/2 barra 1 barra 1 1/2 barras 2 barras
Queso	8 oz 16 oz
Chocolate	1– 12 oz
Margarina	1/2 barra 1 barra 1 1/2 barras 2 barras
Malvaviscos	5 oz 10 oz

*Manual Melt (Derretido manual) requiere que se introduzca un tiempo de cocción.

(Opcional) Modifique el punto de los alimentos tocando el tablero Doneness (Término). Seleccione More Done (Más cocido), Suggested (Sugerido) o Less Done (Menos cocido), luego toque SET (Establecer), revise los ajustes de cocción, y luego toque START (Iniciar).

Reheat (Recalentar)

Se han programado previamente tiempos y potencias para recalentar varios tipos de alimentos.

Utilice la siguiente tabla como guía.

Tabla de recalentado personalizado

ALIMENTOS	CANTIDAD
Manual*	El nivel de potencia predeterminado es 100 %.
Guisado	1-4 tazas (250 ml-1 l) Coloque en un recipiente apto para microondas. Cubra con un envoltorio de plástico y perforo un orificio de ventilación. Revuelva y deje reposar 2 o 3 minutos después de recalentar.
Plato de cena	8 - 16 oz (227- 454 g) Coloque el alimento en un plato. Cubra con un envoltorio de plástico y perforo un orificio de ventilación. Deje reposar por 2 a 3 minutos después de recalentar.

ALIMENTOS	CANTIDAD
Rebanadas de pizza Coloque sobre una toalla de papel.	1 a 3 rebanadas (3 oz [85 g] cada una)
Salsa Coloque en un recipiente apto para microondas. Cubra con un envoltorio de plástico y perforo un orificio de ventilación. Revuelva y deje reposar 2 o 3 minutos después de recalentar.	1-4 tazas (250 ml-1 l)
Sopa Coloque en un recipiente apto para microondas. Cubra con un envoltorio de plástico y perfore un orificio de ventilación. Revuelva y deje reposar 2 o 3 minutos después de recalentar.	1-4 tazas (250 ml-1 l)

*Manual Reheat (Recalentado manual) requiere que se introduzca un tiempo de cocción.

Para utilizar Programmed Reheat (Recalentamiento programado):

Para los hornos de combinación, empiece por tocar el botón MICROWAVE (Microondas).

- Desplácese hasta REHEAT (Recalentar) en el menú de modo de cocción.
- Desplácese hasta la categoría de alimentos deseada y toque NEXT (Siguiendo). Si elige DINNER PLATE (Plato de cena), salte al paso 4.
- Desplácese para seleccionar una de las cantidades preestablecidas y luego toque NEXT (Siguiendo).
- Toque START (Iniciar).
o
Toque DONESS (Término) y desplácese para seleccionar entre More Done (Más cocido), Suggested (Sugerido), o Less Done (Menos cocido), y luego toque SET (Establecer) para regresar a la pantalla anterior, y luego toque START (Inicio) para que comience el ciclo de cocción.
- Toque MICROWAVE CANCEL (Cancelar microondas), para apagar el horno.

Para utilizar Manual Reheat (Recalentar manual):

Para los hornos de combinación, empiece por tocar el botón MICROWAVE (Microondas).

- Desplácese hasta REHEAT (Recalentar) en el menú de modo de cocción.
- Desplácese hasta la categoría de alimentos MANUAL y toque NEXT (Siguiendo).
- Desplácese por el marcador de minutos y segundos para establecer la cantidad de tiempo de cocción.
NOTA: El ajuste de potencia predeterminado es 100 %.
- (Opcional) La bandeja giratoria predeterminada está encendida. Para cambiar el ajuste de la bandeja giratoria, toque TURNTABLE IS ON (La bandeja giratoria está encendida). El botón mostrará TURNTABLE IS OFF (La bandeja giratoria está apagada). Repita el proceso para volver a encender a bandeja giratoria.
NOTA: Una vez que finalice el ciclo de cocción, la bandeja giratoria regresará al ajuste predeterminado de encendido.

- (Opcional) Para ajustar el nivel de potencia, toque "Power 100 %", luego desplácese hasta el nivel de potencia deseado y luego toque SET (Establecer). El rango es entre 10 % y 100 %.
- Toque START (Iniciar) para iniciar el ciclo.
- Toque MICROWAVE CANCEL (Cancelar microondas), para apagar el horno.

Soften (Ablandar)

La función Soften (Ablandar) puede utilizarse para ablandar alimentos. Se han programado previamente tiempos y potencias de cocción para varios tipos de alimentos.

Utilice la siguiente tabla como guía.

Tabla de ablandado

ALIMENTOS	CANTIDAD
Manual*	—
Mantequilla	1/2 barra
	1 barra
	1 1/2 barras
	2 barras
Queso crema	3 oz
	8 oz
Helado	16 oz
	32 oz
	64 oz
Margarina	1/2 barra
	1 barra
	1 1/2 barras
	2 barras

*Manual Soften (Ablandado manual) requiere que se introduzca un tiempo de cocción.

(Opcional) Modifique el punto de los alimentos tocando el tablero Doneness (Término). Seleccione More Done (Más cocido), Suggested (Sugerido) o Less Done (Menos cocido), luego toque SET (Establecer), revise los ajustes de cocción, y luego toque START (Iniciar).

Boil & Simmer (Hervir y cocinar a fuego lento)

Boil & Simmer (Hervir y cocinar a fuego lento) es una función de sensor y usa solamente microondas para hervir su alimento a fuego lento.

- Siga las recomendaciones de cantidades de agua y alimentos que aparecen en la pantalla.
- Para obtener mejores resultados de cocción, no use envoltorio de plástico para cubrir durante el ciclo de Boil & Simmer (Hervir y cocinar a fuego lento).
- No retire la tapa mientras el plato esté todavía en el horno, ya que la ráfaga de vapor afectará las lecturas del sensor.
- Use un plato apto para microondas con tapa floja.

Utilice la siguiente tabla como guía.

Tabla para hervir y cocinar a fuego lento

ALIMENTOS	CANTIDAD
Tallarines secos, espagueti seco	2– 8 oz (57–227 g)
Macarrones secos, mostacholes secos, rotini seco	1/2–2 tazas (118–473 ml)
Linguini, ravioli, tortellini	9 o 18 oz (255 o 510 g)
Grano de arroz blanco largo o corto	1/2–2 tazas (118–473 ml)

- Use la función Manual Simmer (Cocinar a fuego lento manual) para alimentos como sopas, guisos y otros alimentos líquidos.
- Manual Boil & Simmer (Hervir y cocinar a fuego lento) requiere que se introduzca un tiempo de cocción.

Para usar Programmed Boil & Simmer (Hervir y cocinar a fuego lento programado):

Para empezar la función en hornos de combinación, toque MICROWAVE (Microondas).

1. Desplácese hasta Boil & Simmer (Hervir y cocinar a fuego lento) en el menú de modo de cocción.
2. Desplácese para seleccionar el tipo de alimento deseado y toque NEXT (Siguiente).
3. Desplácese para seleccionar una de las cantidades preestablecidas y luego toque NEXT (Siguiente).
4. (Opcional) Para ajustar el término, toque DONESS (Término), lea la información de la pantalla, y luego toque DONESS (Término). Seleccione More Done (Más cocido), Suggested (Sugerido), o Less Done (Menos cocido), y luego toque SET (Establecer).
5. Toque START (Iniciar).
NOTA: Cuando cocine pasta, el horno hará una pausa para añadir la pasta al agua. Luego reiniciará. Si están habilitados, sonarán los tonos de fin de ciclo.
6. (Opcional) Después de que termine el ciclo de cocción, toque el botón ADD 30 SEC. (Añadir 30 segundos). Esto añadirá automáticamente 30 segundos al tiempo de cocción.
7. Toque Microwave Cancel (Cancelar microondas), para apagar el horno.

Para usar Manual Boil & Simmer (Hervir y cocinar a fuego lento manual):

Para empezar la función en hornos de combinación, toque MICROWAVE (Microondas).

1. Desplácese hasta Boil & Simmer (Hervir y cocinar a fuego lento) en el menú de modo de cocción.
2. Desplácese hasta Manual y toque NEXT (Siguiente).
3. Ingrese un tiempo de cocción (–:–:–). La duración máxima es 89:59.
NOTA: En el modo Boil & Simmer (Hervir y cocinar a fuego lento), el microondas controla la potencia. Después de que el agua comience a hervir, la comida se cocinará a fuego lento durante el tiempo de cocción.
4. Toque START (Iniciar). Una vez alcanzado el punto de hervor, la pantalla iniciará la cuenta regresiva del tiempo de cocción. Si están habilitados, sonarán los tonos de fin de ciclo.
5. (Opcional) Después de que termine el ciclo de cocción, toque el botón ADD 30 SEC. (Añadir 30 segundos). Esto añadirá automáticamente 3 segundos al tiempo de cocción.

6. Toque Microwave Cancel (Cancelar microondas), para apagar el horno.

Cuadro de cocción a fuego lento manual

ALIMENTOS	INSTRUCCIONES
Pasta*	Agregue una cucharada sopera (15 ml) de aceite al agua. Coloque en el horno de microondas el recipiente que contiene el agua. Ingrese 1 segundo de tiempo de cocción a fuego lento. El agua se calentará hasta hervir y entonces se apagará el horno. Coloque la pasta en el agua y tape el recipiente. Repita los pasos del 1 al 4 bajo "Para usar la cocción a fuego lento manual", luego ingrese el tiempo de cocción deseado.
Arroz y verduras	Coloque el agua y el alimento en el recipiente. Coloque la comida en el horno. Establezca el tiempo de cocción a fuego lento.
Sopas y alimentos líquidos	Coloque el alimento en un recipiente y colóquelo en el horno. Establezca el tiempo de cocción a fuego lento.

* Utilice un recipiente suficientemente grande para poder cubrir con agua todo el alimento.

(Opcional) Modifique el punto de los alimentos tocando el tablero Doneness (Término). Seleccione More Done (Más cocido), Suggested (Sugerido) o Less Done (Menos cocido), luego toque SET (Establecer), revise los ajustes de cocción, y luego toque START (Iniciar).

Keep Warm (Mantener caliente)

⚠ ADVERTENCIA

Peligro de intoxicación alimentaria

No deje sus alimentos en el horno por más de una hora antes o después de su cocción.

No seguir esta instrucción puede ocasionar intoxicación alimentaria o enfermedad.

La comida cocida puede mantenerse caliente en el horno de microondas.

La función de Keep Warm™ (Mantener caliente) puede usarse sola, o puede programarse para que siga a un ciclo de cocción.

- Cubra los platos con alimentos.
- Tape los alimentos que estuvieron cubiertos durante la cocción.
- Para obtener los mejores resultados, no cubra alimentos horneados tales como productos de repostería, pies, empanadas, etc.

Para usar Keep Warm (Mantener caliente):

1. Toque POWER (Potencia) o MICROWAVE (Microondas) (en los modelos de hornos de combinación).
2. Desde el menú de modo de cocción, toque KEEP WARM (Mantener caliente).
NOTA: El nivel de potencia predeterminado es 10%.
3. Seleccione el tiempo para mantener caliente (–:–:–). La duración máxima es 01:29:59.

- Toque START (Iniciar). La pantalla del horno hará la cuenta regresiva del tiempo de cocción.
Cuando se llegue a la hora de detención, el horno de microondas se apagará automáticamente.
Si están habilitados, sonarán los tonos de fin de ciclo.
- Toque MICROWAVE CANCEL (Cancelar microondas), para apagar el horno.

NOTA: El ventilador enfriador del horno de microondas puede seguir funcionando varios minutos después de completado el ciclo de cocción. La cocción con microondas no continúa después de finalizado el ciclo de cocción.

Browning Pan (Sartén para dorar)

La función Browning Pan (Sartén para dorar) utiliza la sartén doradora, el elemento para asar y el microondas para dorar y tostar los alimentos. Mientras las microondas calientan los alimentos desde la parte superior, también calientan la sartén desde el fondo para dorar y tostar los alimentos.

La sartén para dorar se puede usar para saltear carnes y verduras, freír tocino y huevos, y para dorar y tostar pizza y papas fritas.

Algunos ciclos de Browning Pan (Sartén para dorar) están programados para precalentar la sartén vacía durante 3 minutos antes de comenzar la cocción. Cuando se haya terminado el ciclo de precalentamiento, el horno de microondas se detendrá y le indicará que agregue el alimento a la sartén de tostado. Es posible que el horno de microondas le indique dar vuelta el alimento durante el ciclo.

- Use siempre la sartén de tostado.
- Consulte la sección Sartén doradora recubierta y manija antes de usar.
- La cavidad y la puerta del horno de microondas se calentarán mucho durante el uso del elemento para asar. Se recomienda el uso de guantes para horno.
- La sartén doradora se calentará mucho. Para agarrar y extraer la sartén del horno utilice la manija. No coloque la sartén doradora caliente sobre superficies sensibles al calor. Pueden ocurrir daños.
- Para evitar dañar los utensilios de plástico, no los use con la bandeja de tostado, ya que se calienta mucho y podría derretir los utensilios.
- No use utensilios de metal ya que podrían rayar la sartén.
- Para obtener mejores resultados, no use la sartén en ningún otro horno de microondas ni en un horno térmico.
- Para obtener mejores resultados de cocción, no coloque la sartén doradora en la rejilla para asar o la rejilla de convección. Siempre use la bandeja giratoria como soporte para la sartén.
- Para obtener óptimos resultados, unte ligeramente la sartén con aceite de cocina para sacar los alimentos con facilidad y simplificar la limpieza.

Cuando esté utilizando la función de tostado, utilice como guía el cuadro que aparece a continuación.

Preprogrammed Browning Pan (Sartén para dorar preprogramado)

Los tiempos y la potencia de cocción han sido preprogramados para dorar varios tipos de alimentos.

Tabla de cocción para la sartén doradora

ALIMENTOS	CANTIDAD
Manual*	
Tocino	2– 4 rebanadas
Pechuga de ave sin hueso	1– 3 piezas

ALIMENTOS	CANTIDAD
Papas fritas a la francesa	1– 3 porciones
Hamburguesas	1–4 piezas
Rollos de pizza	1– 4 porciones
Tortitas de papa	1– 4 porciones
Pizza congelada, masa gruesa	6 a 12" (15–30,5 cm)
Pizza congelada, masa fina	6 a 12" (15–30,5 cm)

*Manual Browning (Dorado manual) requiere que se introduzca un tiempo de cocción.

Para usar Programmed Browning Pan (Sartén para dorar programado):

- Toque POWER (Potencia) o MICROWAVE (Microondas) (en los modelos de hornos de combinación).
- Desde el menú de modo de cocción, toque BROWNING PAN (Sartén para dorar).
- Seleccione el tipo de alimento, y luego toque NEXT (Siguiente).
- Use el control giratorio para seleccionar una de las cantidades preestablecidas, luego toque NEXT (Siguiente) para iniciar la cocción al término recomendado.
o
- Modifique el punto de los alimentos tocando el tablero Doneness (Término). Seleccione More Done (Más cocido), o Less Done (Menos cocido), y luego toque SET (Establecer).
- Toque START (Iniciar).
Cuando se llegue a la hora de detención, el horno de microondas se apagará automáticamente.
NOTA: El ventilador enfriador del horno de microondas puede seguir funcionando varios minutos después de completado el ciclo de cocción. La cocción con microondas no continúa después de finalizado el ciclo de cocción.
Si están habilitados, sonarán los tonos de fin de ciclo.
- (Opcional) Después de que termina el ciclo de cocción, seleccione Keep Warm (Mantener caliente) desde el menú de modo de cocción, y luego toque START (Iniciar). Esto iniciará un nuevo ciclo de cocción que mantendrá los alimentos calientes. El microondas funcionará al 10 % de potencia durante un tiempo predeterminado de 60 minutos, pero se puede configurar hasta 01:29:59. Consulte la sección "Mantener caliente" para ver información adicional.
- (Opcional) Después de que termine el ciclo de cocción, toque ADD 30 SEC. (Añadir 30 segundos). Esto añadirá automáticamente 30 segundos al tiempo de cocción.
- Toque MICROWAVE CANCEL (Cancelar microondas), para apagar el horno.

Para usar Manual Browning Pan (Sartén para dorar manual):

1. Toque POWER (Potencia) o MICROWAVE (Microondas) (en los modelos de hornos de combinación).
2. Desde el menú de modo de cocción, toque BROWNING PAN (Sartén para dorar).
3. Toque NEXT (Siguiente).
4. Para ingresar un tiempo de cocción, use el control para seleccionar un tiempo de cocción (00:00:00) y luego toque START (Iniciar). La duración máxima es 01:29:59.
NOTA: En el modo Browning Pan (Sartén para dorar), el microondas controla la potencia. Se requiere una potencia alta para calentar la sartén.
5. Toque START (Iniciar). La pantalla hará la cuenta regresiva del tiempo de cocción. Cuando se llegue a la hora de detención, el horno se apagará automáticamente.
NOTA: El ventilador enfriador del horno de microondas puede seguir funcionando varios minutos después de completado el ciclo de cocción. La cocción con microondas no continúa después de finalizado el ciclo de cocción.
Si están habilitados, sonarán los tonos de fin de ciclo.
6. (Opcional) Después de que termina el ciclo de cocción, seleccione Keep Warm (Mantener caliente) desde el menú de modo de cocción, y luego toque START (Iniciar). Esto iniciará un nuevo ciclo de cocción que mantendrá los alimentos calientes. El microondas funcionará al 10 % de potencia durante un tiempo predeterminado de 60 minutos, pero se puede configurar hasta 01:29:59. Consulte la sección "Mantener caliente" para ver información adicional.
7. (Opcional) Después de que termine el ciclo de cocción, toque ADD 30 SEC. (Añadir 30 segundos). Esto añadirá automáticamente 30 segundos al tiempo de cocción.
8. Toque MICROWAVE CANCEL (Cancelar microondas), para apagar el horno.