





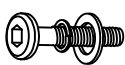



ASSEMBLY INSTRUCTIONS

**CROWN MARK
MODEL : B4680-1
DRESSER**

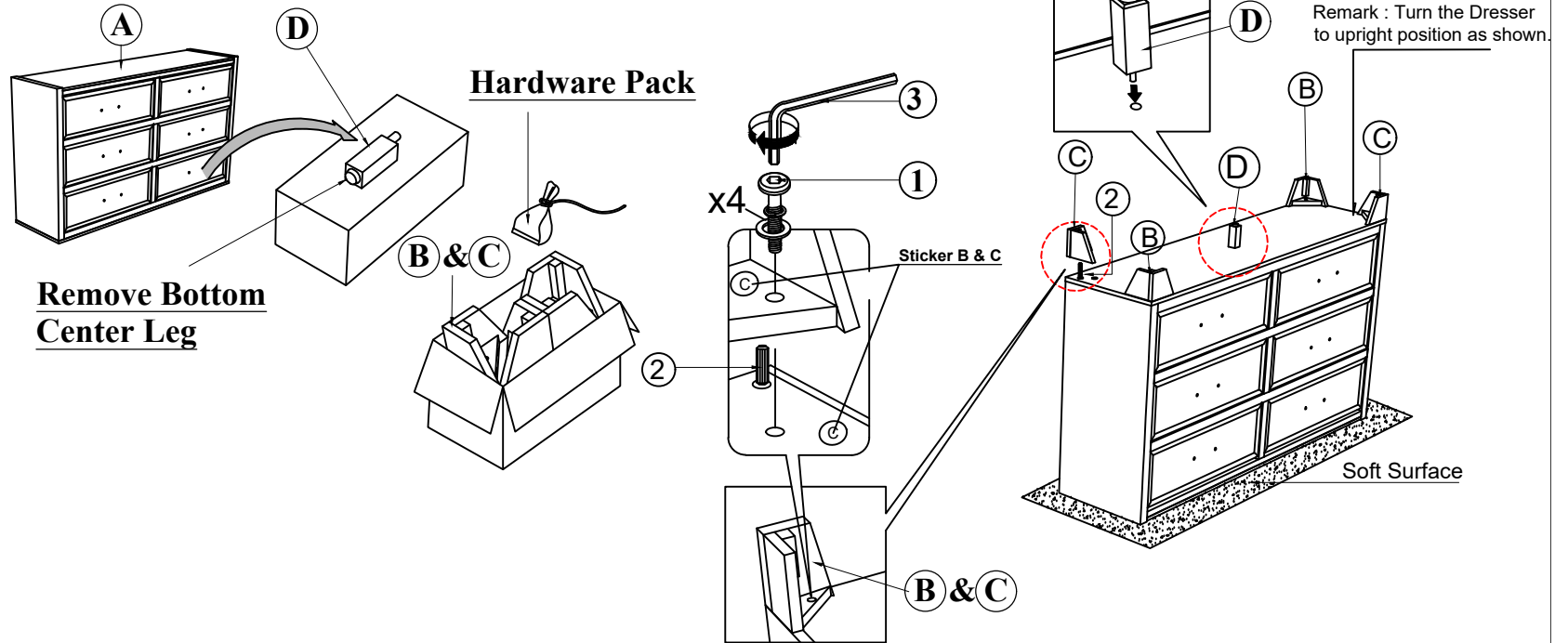
**(BOX 1)
BOX OF DRESSER**

NO	ITEM	QTY
	DRESSER	
A		1 pc
B	KD LEG RIGHT 	2 pcs
C	KD LEG LEFT 	2 pcs
D	BOTTOM CENTER LEG 	1 pc

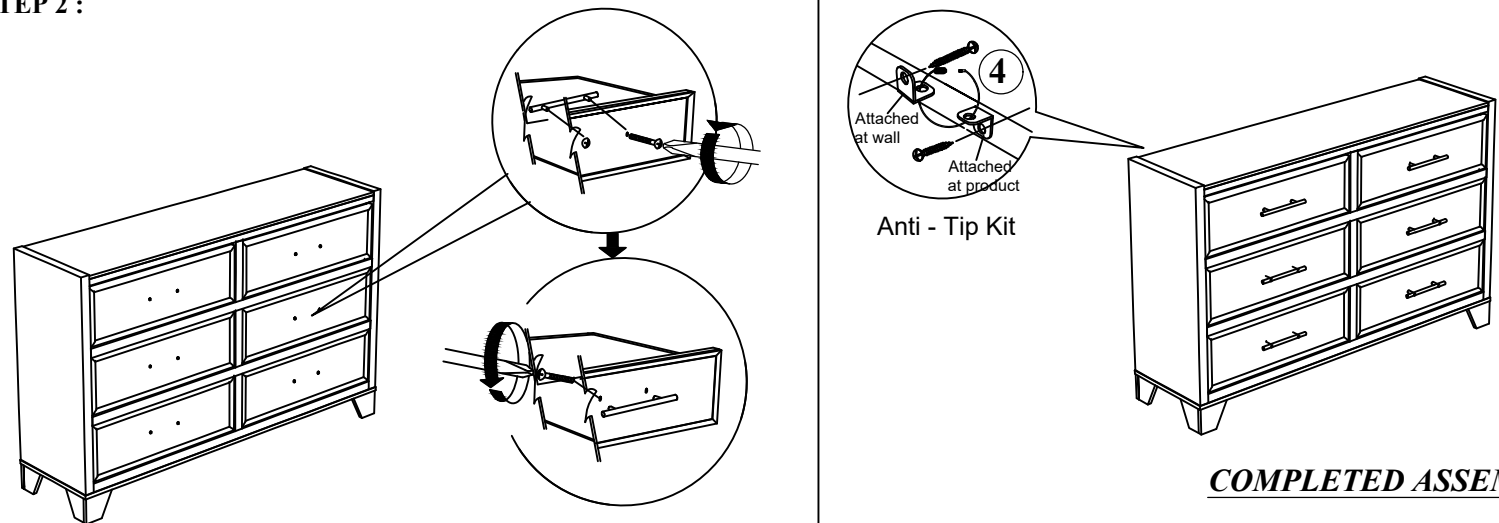
**(BOX 1)
HARDWARE LIST**

NO	ITEM	QTY
1	JCBC Bolt m6 x 35mm Blk 	4 pcs
2	Wood Dowel 8 x 20mm 	4 pcs
3	Allen Key m4 x 65mm Blk 	1 pc
4	Tipping Restraint 	1 pc

STEP 1 : Pull the bottom drawer and take out the KD Leg carton. Insert wood dowel (2) into the bottom panel (A) as shown. Attach the KD Leg (B) & (C) and using the JCBC Bolt (1) and securing with Allen Key (3) as shown.
THE HARDWARE IS LOCATED IN THE PACKING ITEM.
THE ANTI-TIPPING HARDWARE IS LOCATED IN THE TOP DRAWER RIGHT.



STEP 2 :



NOTE : Periodically check to ensure that all connectors (bolts, screws, etc.) are tight.