

LEVONE

PCHLV630SS, PCHLV636SS, PCHLV136SS, PCHLV142SS, PCHLV148SS

Don's Appliances

Exceptional Brands and Service Since 1971



SUPERIOR
PERFORMANCE



FINE
PRECISION



AIR FLOW
CONTROL



THERMAL
BARRIER



BAFFLE
FILTERS



QUIET
SYSTEM

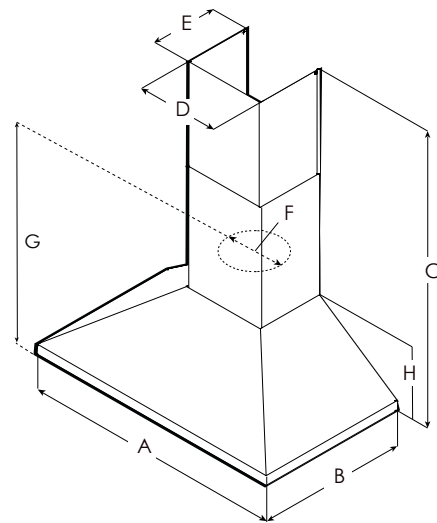
Levone's comes with crisp lines, seamless welded craftsmanship, beveled rim and gleaming stainless steel. Levone has the extra depth (24") and power 1200 CFM needed to support professional ranges and cooktops.

No ear plugs required with Levone's Quiet system, enables you to comfortably talk and entertain, even when cooking up a storm. Available in 36" width, Levone features backlit hidden knob controls, which operate the 4-speed blower and LED lighting

MOUNTING HEIGHT RANGE



 $\geq 24'' \geq 30''$



	PCHLV630SS	PCHLV636SS PCHLV136SS	PCHLV142SS	PCHLV148SS
A	30" (76.2 cm)	36" (91.4 cm)	42" (106.7 cm)	48" (121.9 cm)
B	24" (61 cm)			
C	Max: 47 5/8" (120.9 cm) Min: 30" (76.2 cm)			
D	13 1/8" (33.2 cm)			
E	10 5/8" (27 cm)			
F	8" (20.3 cm)			
G	16 7/8" (16.8 cm)			
H	12 3/16" (12.1 cm)			

SPECIFICATIONS

Width:	30" Unit	36" Unit	42" Unit	48" Unit
Model:	PCHLV630SS	PCHLV636SS PCHLV136SS	PCHLV142SS	PCHLV148SS
Dimensions:	30"W x 24"D x 12 1/8"H	36"W x 24"D x 12 1/8"H	42"W x 24"D x 12 1/8 "H	48"W x 24"D x 12 1/8 "H
Blower Type(internal):**	600 CFM(4-speed)	600 CFM (4-speed) 1200 CFM (4-speed)	1200 CFM(4-speed)	1200 CFM(4-speed)
Noise (sones):**	1.0 - 7.0 Sones	1.0 - 7.0 Sones 3.0 - 8.5 Sones	3.0 - 8.5 Sones	3.0 - 8.5 Sones
Finish:	Stainless Steel			
Controls:	Fully Retractable Rotating Knobs with White Backlight			
Illumination:	2 LED, 6.5 W, 3000 K, 540 Lumen/Lamp			
Grease Filter:	Dishwasher-Safe, Professional Stainless Steel Baffle 2 for 30", 36", 42" & 3 for 48"			
Duct Transition:	8" Round with BackDraft Damper (top only)			
Installation Type:	Ducted or Recirculating with kit			
Telescopic Chimney:	For ceiling heights 7'6" - 10'0" (over electric cooking), 8'0" - 10'0" (over gas cooking)			
Electrical:	120V - 60 Hz, 463 W	120V - 60 Hz, 490 W 120V - 60 Hz, 913 W	120V - 60 Hz, 913 W	120V - 60 Hz, 913 W
KITS:				
Long Chimney Ext.:	ACC02785 (can reach up to 13' ceilings) ACC01935 (can reach up to 11'4" ceilings)			
Inline Blower Shell Kit:				
External Blower Shell Kit:	ACC0179549 (8" or 10" duct size compatible,for 1200 CFM blowers only)			
6" Round Transition Kit:	BH01UB (Replaces 8" transition - for 600 CFM blower only)			
Recirculation Kit:	ACC0192765 (4 round carbon filters) + ACC0192759 (8" round metal deflector)			
WARRANTY:	Two (2) years parts & in-home labor			

PLUS FEATURES



QUIET SYSTEM - Specialized technology that allows reducing sound levels of your hood, which can effectively decrease noise by more than 35%.



Grease Collecting Baffle Filters - Intended for high airflow cooking, Their "S" shape design and Stainless Steel finish is crafted to capture significant amounts of grease.



Thermal barrier - The system detects extreme temperatures above 158 degrees and automatically increases the blower speed to HIGH.



AIR FLOW CONTROL - AFC technology enables the user to reduce the maximum blower CFM achieving <300 CFMs, to meet local code requirements.



Fine precision - Constructed with great attention to detail with High-quality stainless steel, result in a seamless and flawless finish.



Superior performance - High performance ventilation with blowers ranging from 600 to 1200 CFM.



Model	Certified Ratings	High Speed	Working Speed	Duct Size
PCHLV148SS PCHLV142SS PCHLV136SS	CFM Sones	780 12.5	310 3	8" Vertical
PCHLV630SS	CFM Sones	460 9.5	160 0.8	10" (Vertical) 10" (Vertical)

* The product images shown are for illustration purposes only and may not be an exact representation of the product.

** Blower performance indicates the performance of the blower by itself. Performance claims are not AHAM certified but were established in accordance with HVI Standardized test procedure. For Certified Ratings, please refer to AHAM Certified Product Directory. Electric Ratings are declared according to UL.