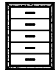
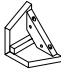




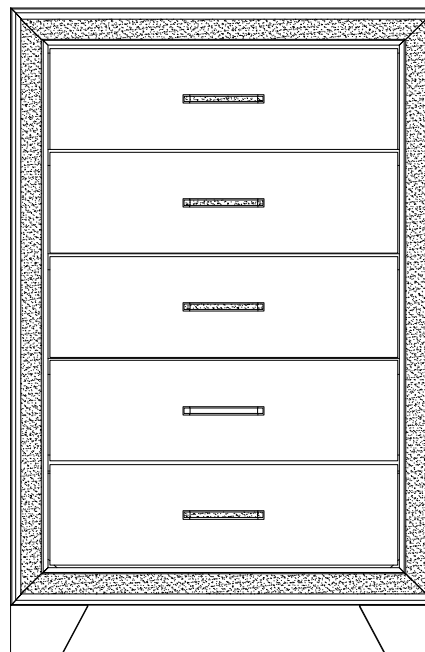
# ASSEMBLY INSTRUCTION

## B4750-4 KAIA CHEST

### BOX 1

BOX OF CHEST			
NO	DESCRIPTION	DRAWING	QTY
A	CHEST		1
B	BUNFOOT *		4

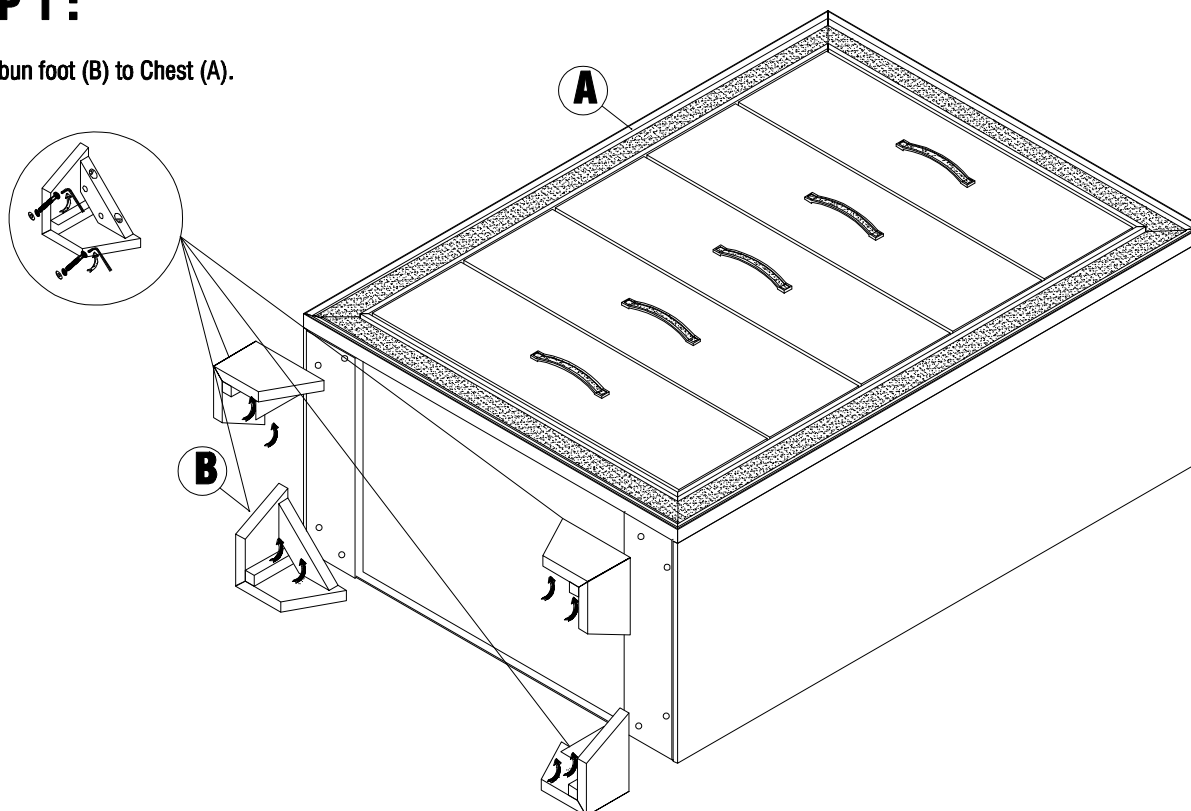
HARDWARE LIST			
NO	DESCRIPTION	DRAWING	QTY
1	BOLT(M6 X 35) SPRING WASHER, FLAT WASHER		8
2	ALLEN KEY M6		1



\* Bun Foot packed inside Chest Bottom Drawer

### STEP 1 :

Attach bun foot (B) to Chest (A).



THE ANTI TIPPING HARDWARE IS LOCATED IN THE TOP DRAWER OF CHEST.

PAGE 1 OF 2

**THE HARDWARE IS LOCATED IN THE PACKING ITEMS.**