

PFW870SSVWW/SPVRS

GE Profile™ 5.3 cu. ft. Capacity Smart Front Load ENERGY STAR® Washer with UltraFresh™ Vent System+ with OdorBlock™

DIMENSIONS AND INSTALLATION INFORMATION (IN INCHES)

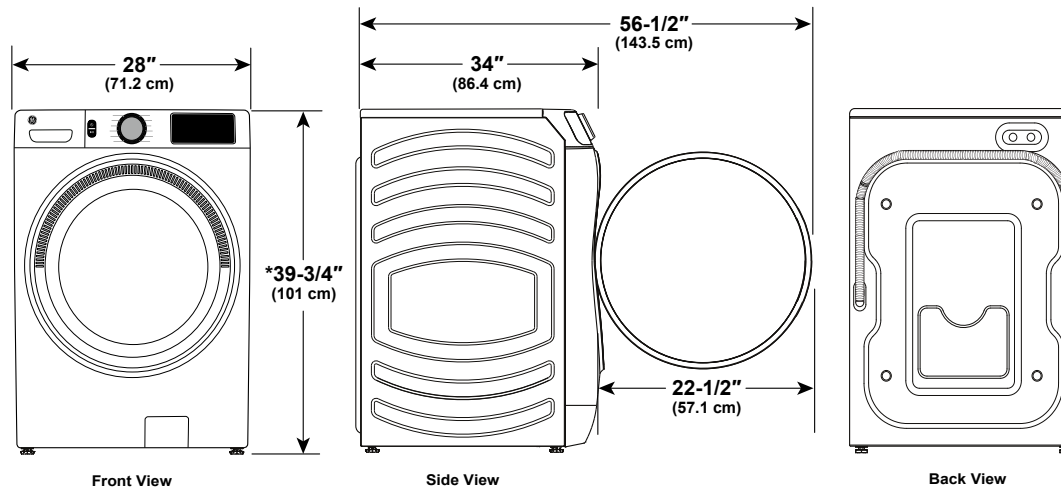
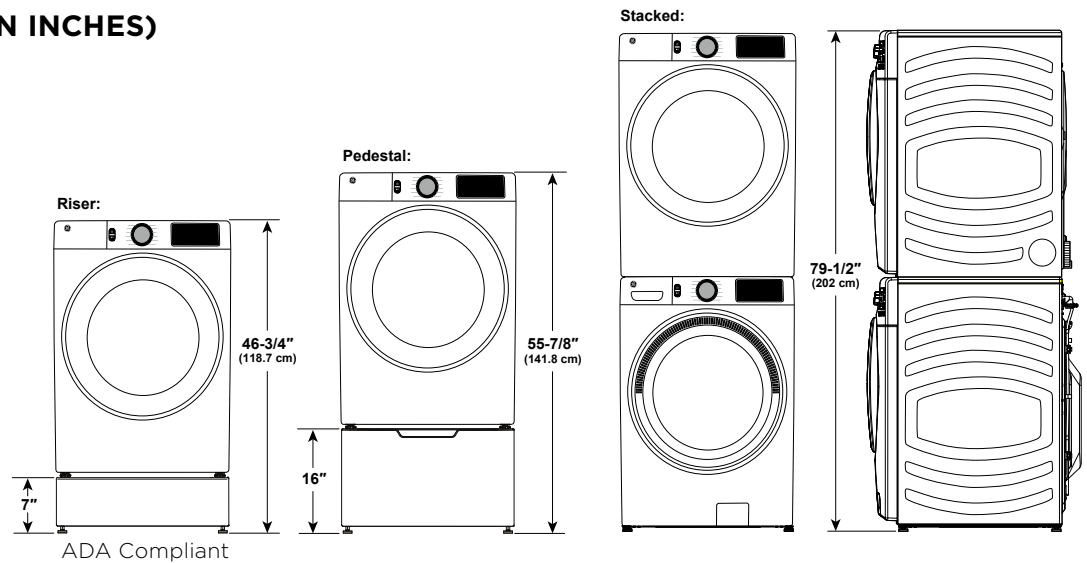
| ELECTRIC RATING | |
|-----------------|-------------|
| 120V | 11.0A, 60HZ |

INSTALLATION INFORMATION:

For complete information, see installation instructions packed with your washer.

INCLUDED:

- Power cord - up to 66" length
- Drain hose - up to 60" length



*With leveling legs retracted:
39-3/4" (101 cm).
With leveling legs fully extended:
40-5/8" (103.1 cm).



For answers to your Monogram, Café™, GE Profile™ or GE Appliances product questions, visit our website at geappliances.com or call GE Answer Center® Service, 800.626.2000.



Specification Revised 11/23

PFW870SSVWW/SPVRS

GE Profile™ 5.3 cu. ft. Capacity Smart Front Load ENERGY STAR® Washer with UltraFresh™ Vent System+ with OdorBlock™

SPECIAL INSTALLATION REQUIREMENTS:

STACKED INSTALLATION:

- Brackets for stacking dryer over washer are not included with the dryer. Order part no. GFA28KITN.

ALCOVE OR CLOSET INSTALLATION:

- Minimum clearances between washer cabinet and adjacent walls or other surfaces are: 0" all sides and top.*
- Closet doors must be louvered or otherwise ventilated and must contain a minimum of 60 sq. in. of open area equally distributed. If this closet contains both a washer and a dryer, doors must contain a minimum of 120 sq. in. of open area equally distributed.

No other fuel-burning appliance shall be installed in the same closet with a gas dryer.

- If your dryer is approved for installation in an alcove or closet, it will be stated on a label on the dryer back.
- The dryer MUST be exhausted to the outside.

BATHROOM OR BEDROOM INSTALLATION: THE DRYER MUST BE EXHAUSTED TO THE OUTDOORS.

- The installation must conform with the local codes, or in the absence of local codes, with the National Electric Code and National Plumbing Code, ANSI Z223 for gas dryers.

FOR MORE INFORMATION ON VENTING KITS AND ACCESSORIES, PLEASE CALL 1-800-GE-CARES.

*For improved performance, a 1/2" clearance is suggested on each side.

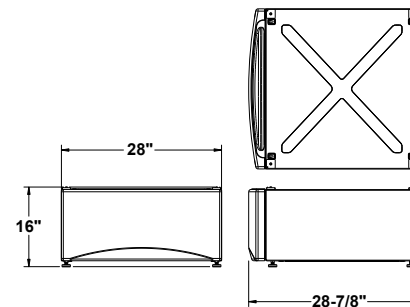
**Accessories sold separately.

WASHER ACCESSORIES**

| GE Part Number | Description |
|----------------|---|
| WB64X5025 | Touch-up Paint (White) 0.6 fl oz |
| WH97X30578 | Touch-Up Paint (Royal Sapphire) - 0.6 fl oz |
| WH49X316 | Drain Hose Extension |
| PM7X2 | Universal Low-Profile Floor Tray (white) |
| WH41X10207 | Fill Hose |
| WX17X10001CA | Vibration Pads |
| GFP1528SNWW | Pedestal Assembly (White) |
| GFP1528PNRS | Pedestal Assembly (Royal Sapphire) |
| GFR0728SNWW | Riser (White) |
| GFR0728PNRS | Riser (Royal Sapphire) |
| GFA28KITN | Stacking Kit |
| WX14X10011 | 6 ft stainless steel washer hoses with 90° elbows; 2-pack |

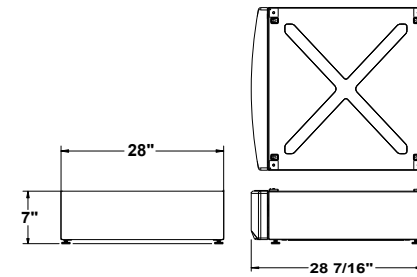
WARRANTY

| | |
|----------------|--|
| Labor Warranty | Limited 1-year entire appliance |
| Parts Warranty | Limited 1-year entire appliance Limited 10-year motor |



PEDESTAL DIMENSIONS (IN INCHES)

The optional 16" pedestal raises the door opening and height of the washer or dryer.



RISER DIMENSIONS (IN INCHES)

The optional 7" riser raises the door opening and height of the washer or dryer while remaining ADA compliant.



For answers to your Monogram, Café™, GE Profile™ or GE Appliances product questions, visit our website at geappliances.com or call GE Answer Center® Service, 800.626.2000.



Specification Revised 11/23

PFW870SSVWW/SPVRS

GE Profile™ 5.3 cu. ft. Capacity Smart Front Load ENERGY STAR® Washer with UltraFresh™ Vent System+ with OdorBlock™

FEATURES AND BENEFITS

UltraFresh™ Vent System+ with OdorBlock™ – The first and only UltraFresh™ Vent System+ is enhanced with a sensor that detects and eliminates excess moisture to help prevent odors, ensuring your washer stays fresh and clean.

Microban® Antimicrobial Technology – Built into components including the gasket, dispenser and draining system, delivering protection that lives on, load after load.

SmartDispense™ Technology – Save time and make laundry effortless with our intelligent dispenser that holds up to 32 loads of detergent and automatically dispenses the perfect amount, based on load weight and fabric type, for optimal cleaning performance.

Smart Features Powered by SmartHQ™ with Downloaded Cycles – When connected to the SmartHQ™ app, you can make sure your washer always has the latest features! Plus, receive remote cycle status notifications, enable remote capabilities and select from download specialty cycles.

Dynamic Balancing Technology (dB™) – Our patented, time-saving technology senses and rebalances uneven loads during the spin cycle, providing a quiet wash.

Reversible Door – Easily reverse your washer and dryer doors for superior installation flexibility.

Steam Cycle – Safely penetrates deep into fabric fibers, loosening stains to deliver enhanced cleaning performance.

More Energy Efficient – Tier 2 Certified – This ENERGY STAR® certified clothes washer also meets CEE Tier 2 specifications. Save on utility costs and reduce your environmental impact with our eco-friendly design. Experience efficient washing without compromising performance.

Soak Rinse for Sanitizers – Reduces bacteria and viruses with a final 16-minute cold soaking rinse when using color-safe liquid sanitizers to boost your detergent's cleaning power and remove tough odors on even your most delicate laundry.

Sanitize + Allergen – Industry-first cycle sanitizes fabrics to kill 99% of common bacteria and allergens such as dust mites.



For answers to your Monogram, Café™, GE Profile™ or GE Appliances product questions, visit our website at geappliances.com or call GE Answer Center® Service, 800.626.2000.



Specification Revised 11/23