

OVERALL DIMENSIONS



SPECIFICATIONS

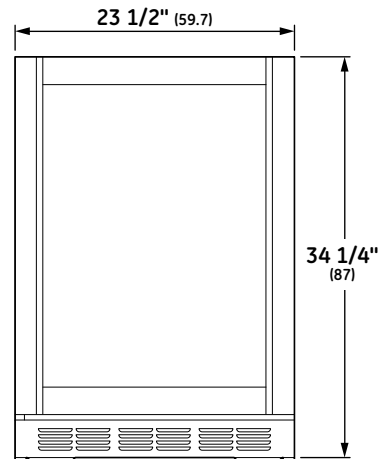
Overall Width	23 1/2" (59.7 cm)
Overall Height	34 1/4" (87 cm)
Overall Depth	23 9/16" (58.6 cm)
Door Clearance	9 3/8" (23.8 cm) @ 110° 5/8" (1.6 cm) @ 90° 23 5/8" (58.6) door length
Overall Capacity	5.5 cu. ft.
Minimum Cabinet Width	23 3/4" (60.3 cm)
Minimum Cabinet Depth	24" (60.9 cm)
Cutout Width	23 3/4" (60.3 cm)
Cutout Height	34 1/2" (87.7 cm) Min 35" (89 cm) Max
Electrical Requirements	1.2 A
Voltz/Hertz/Amps	120 V, 60 Hz, 15 or 20 amp circuit
Shipping Weight	146 lb (66 kg)

ATTENTION ELECTRICIAN:

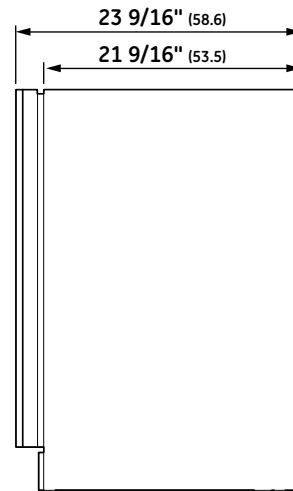
A 115 volt 60Hz., 15 or 20 amp power supply is required. An individual properly grounded branch circuit or circuit breaker is recommended. Install a properly grounded 3-prong electrical receptacle recessed into the back wall.

Dimensions in parentheses are in centimeters unless otherwise noted.

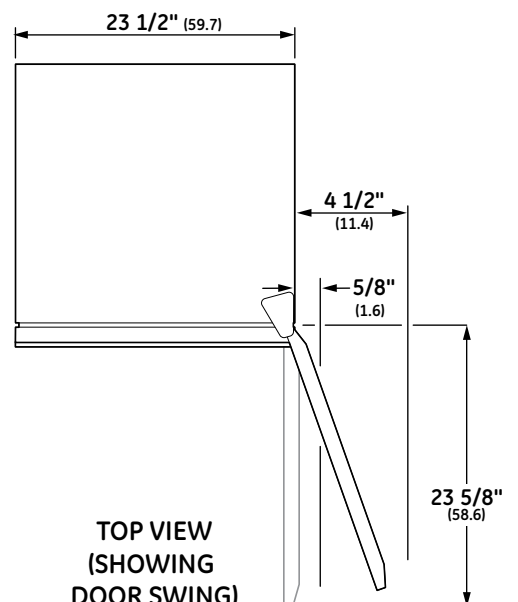
Actual product dimension may vary due to manufacturing tolerances.



FRONT VIEW

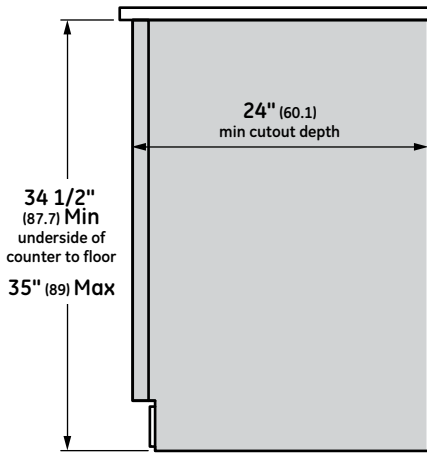


SIDE VIEW

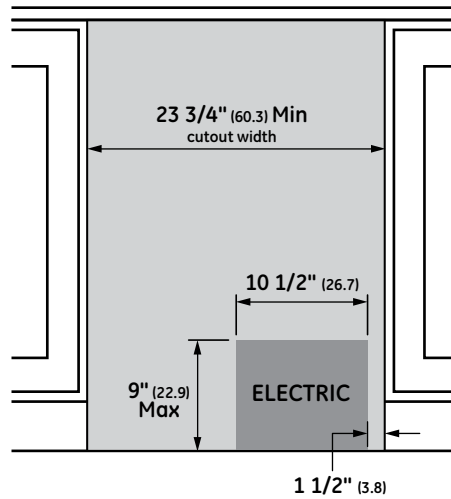


TOP VIEW (SHOWING DOOR SWING)

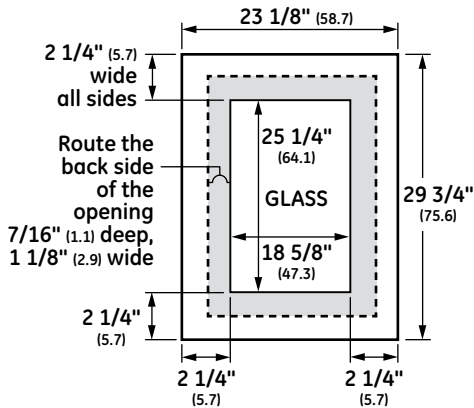
INSTALLATION



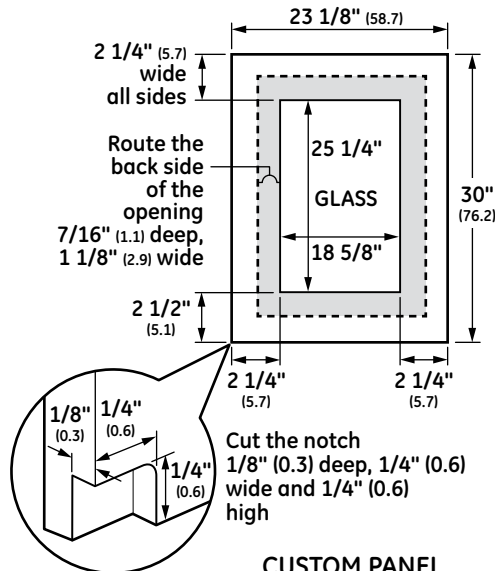
FLUSH CUTOUT INSTALLATION
SIDE VIEW



INSTALLATION CUTOUT
FRONT VIEW



CUSTOM PANEL
OPTION 1



CUSTOM PANEL
OPTION 2

NOTES

- The cutout depth must be 24"
- The cutout dimensions shown allow for a full door swing and access to the pull-out racks when installed as a built-in.
- The wine reserve can be free-standing.
- Note: If installing between frameless cabinets, a 1/2" wide filler strip or side panel may be required. The filler strip will act as a spacer between the door case and adjacent cabinet and will prevent interference with cabinet door swing. The width of the opening must include filler panels.
- Wine reserve is vented at the front toekick to allow built-in undercounter installation.

FEATURES AND BENEFITS

Custom-Panel Option - Lets you coordinate models with cabinetry for a look of elegant understatement

Adjustable Temperature Control - Maintains a consistent temperature

Full-Extension Racks - Offer fronts made of solid heart-of-cherry, which can be finished to complete cabinetry

Precise Digital Controls - Are discreetly concealed behind the door, where they can be easily adjusted

Digital Touch Temperature Controls - Allow you to select precise temperature settings, which are essential for proper wine storage

Storage Convenience - Full-extension sliding racks store up to 57 wine bottles and keep them close at hand

Flexible Installation - The free-standing wine reserve may be built into cabinetry, and the door swing is easily reversed as needed

