

Dual Fuel Range, 48", 4 Burners, 4 Induction Zones, Self-cleaning

Series 9 | Professional

Stainless Steel with Black Glass | Natural gas



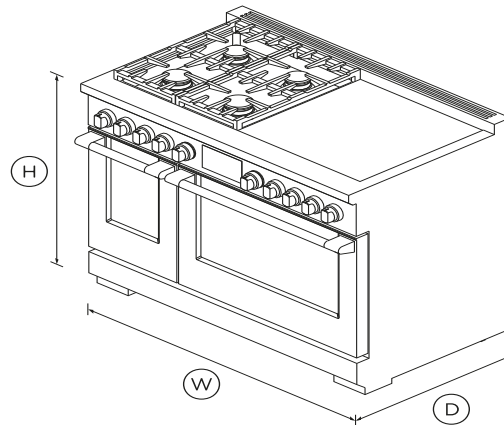
With both induction and gas cooktops and two convection ovens, you're ready to create a feast - guided by an intuitive touchscreen.

- Guided cooking using your touchscreen makes it simple to cook by food, function or recipe.
- Top burner heat of 23,500 BTU, for seriously fast boiling
- Four induction cooking zones, which can be paired to form two SmartZones

- 6.9 cu ft total oven capacity across two oven cavities

DIMENSIONS

Height	35 ³ / ₄ - 36 ³ / ₄ "
Width	47 ⁷ / ₈ "
Depth	29 ¹ / ₈ "



FEATURES & BENEFITS

Cook with confidence

Our touchscreen interface provides an intuitive guided cooking experience that helps deliver perfect results, whether you've been cooking all your life or just starting out. Cook with a favorite method, a hero ingredient, or a go-to cooking function or recipe. The screen tilts for improved ergonomics and optimal visibility while cooking.

SPECIFICATIONS

Accessories

Square handle option	AH-R48
----------------------	--------

Capacity

Total capacity	6.9cu ft
----------------	----------

Cleaning

- Dishwasher proof trivets
- Pyrolytic self-clean

Controls

- High resolution display
- Metal illuminated dials
- Sabbath mode

Gas requirements

Fitting and pipe	½ NPT, min. ⅝" Ø flex
Supply Pressure (natural gas)	6" to 9" W.C

Main oven features

- Bake
- Clean
- Convection Bake
- Convection Broil
- Large broil pan
- Main oven- Self cleaning
- Main oven- True convection

Number of main oven functions **15**

Oven features

- Concealed element •
- Electronic oven control •
- Full extension telescopic **2**
- Internal light •
- Pyrolytic self-clean •
- True Convection •

Oven functions

- Pyrolytic self-clean •

Oven performance

Main Oven Shelf Positions **5**

Main Oven Total Capacity **4.8cu ft**

Main Oven Usable Capacity **3.8cu ft**

Main oven- Bake **4600W**

Main oven- Broil **4000W**

Main oven- True convection **2500W**

Secondary Oven- Bake **2450W**

Secondary Oven- Broil **3600W**

Secondary Oven- Capacity **2.1**

Secondary Oven- Capacity **1.8cu ft**

Secondary Oven- Shelf **5**

Power requirements

Electric circuit **4 wire**

Rated current **50A**

Supply frequency **60Hz**

Supply voltage **120 - 240V**

Product dimensions

Depth **29 1/8 "**

Depth (Excluding handles) **29 1/8 "**

Height **35 3/4 - 36 3/4 "**

Height (excluding vent trim) **35 3/4 - 36 3/4 "**

Width **47 7/8 "**

Rangetop features

Gentle heat **3 settings (111°F, 158°F, 201°F)**

Heat settings **9**

Induction cooking technology •

PowerBoost all zones **up to 3700W**

Sealed Dual Flow Burners™ **4**

Sealed range top •

Simmer on all burners **140°F**

SmartZone **2**

Vent trim included **Flat vent trim**

Zone bridging •

Rangetop Performance

Left front zone rating **2100W/37000W**

Left rear zone rating **2100W/37000W**

Max burner power **23500BTU**

Power back left **18500BTU**

Power back right **18500BTU**

Power front left **23500BTU**

Power front right **18500BTU**

PowerBoost •

PowerBoost all zones **up to 3700W**

Right front zone rating **2100W/37000W**

Right rear zone rating **2100W/37000W**

Total cooktop power **79000BTU**

Safety

- Pan detection system •
- Safety time out •
- Surface hot indicators •

Secondary Oven features

- Bake •
- Convection Bake •
- Convection Broil •
- Secondary oven functions **11**

Warranty

Parts and labor **Limited 2 Years Parts & Labor**

SKU **81890**

The product dimensions and specifications in this page apply to the specific product and model. Under our policy of continuous improvement, these dimensions and specifications may change at any time. You should therefore check with Fisher & Paykel's Customer Care Centre to ensure this page correctly describes the model currently available. © Fisher & Paykel Appliances Ltd 2019.



A PEACE OF MIND SALE

24 Hours 7 Days a Week Customer Support

T 1300 650 590 W www.fisherpaykel.com