

# Oven, 30", 17 Function, Self-cleaning

Series 9 | Contemporary

Stainless Steel

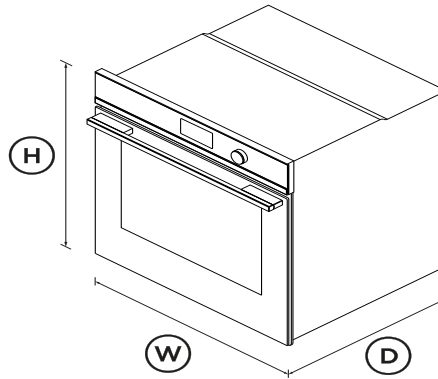


A highlight of the Fisher & Paykel collection, this Series 9 oven with touchscreen guided cooking helps to ensure every dish is cooked to perfection.

- Touchscreen guided cooking capability offers helpful tips for different food types as well as full recipes
- 4.1 cu ft total capacity, with 17 oven functions including Pastry Bake, Roast, Air Fry and Dehydrate
- Pyrolytic self-cleaning function breaks down food residue for an easy clean
- Moisture level control with ActiveVent technology

## DIMENSIONS

Height	27 3/16"
Width	29 15/16"
Depth	23 15/16"



## FEATURES & BENEFITS

### COOK WITH CONFIDENCE

Using the large 5" touchscreen interface, you can cook with a favorite method, a hero ingredient, or a go-to cooking function or recipe. Your oven will guide you through the steps, or change the temperature and heat type automatically, depending on your selection.

### GENEROUS CAPACITY

With an exceptional 3 cu ft total capacity, you can create several

perfectly cooked dishes at once using multiple shelves.

### MULTI-FUNCTION FLEXIBILITY

Each function has been tailored, tested and perfected to ensure that no matter what you're cooking, you've got the right heat to match. A Wired Temperature Sensor precisely monitors cooking in real time, giving you complete control.

### EXCEPTIONAL PERFORMANCE

AeroTech™ circulates heat evenly for a consistent temperature throughout the cavity, helping you ensure perfect results even when cooking on multiple shelves.

### SELF-CLEANING

Pyrolytic self-clean breaks down food residue at a very high temperature, leaving a light ash that's easily removed with a damp cloth. The enamel coated side racks don't need to be removed when using this function.

### DESIGN FREEDOM

Designed to fit seamlessly into your kitchen, this built-in oven features premium materials and detailing to support a cohesive, considered kitchen design.

### SAFE AND SOUND

The CoolTouch door features triple glazing and a cooling system that ensures it's safe to touch from the outside - protecting both your hands and the surrounding cabinetry.

## SPECIFICATIONS

### Accessories

Pyrolytic proof shelf runners	1 set
Wired food probe	1

### Cleaning

Acid resistant graphite enamel	•
Descale cycle	•

Drying cycle	•	Self-clean	•
Pyrolytic self-clean	•	Slow cook	•
Removable oven door	•	Steam clean (oven)	•
Removable oven door inner	•	True Aero	•
Removable shelf runners	•	Vent bake	•
Steam clean (oven)	•	Warm	•

**Controls**

Dial with illuminated halo	•
Halogen lights	•
Intuitive touchscreen display	•
Multi-language display	<b>UK English, US English,</b>
Sabbath mode	•
Soft close doors	•
Wi-Fi connectivity	•

**Performance**

ActiveVent™ system	•
AeroTech™ technology	•

**Product dimensions**

Depth	<b>23 15/16"</b>
Height	<b>27 3/16"</b>
Width	<b>29 15/16"</b>

**Functions**

Aero Bake	•
Aero Broil	•
Air fry	•
Bake	•
Broil	•
Classic bake	•
Dehydrate	•
Maxi Broil	•
Number of functions	<b>16</b>
Pastry Bake	•
Pizza bake	•
Rapid proof	•
Roast	•

SKU	<b>82536</b>
-----	--------------

The product dimensions and specifications in this page apply to the specific product and model. Under our policy of continuous improvement, these dimensions and specifications may change at any time. You should therefore check with Fisher & Paykel's Customer Care Centre to ensure this page correctly describes the model currently available. ? Fisher & Paykel Appliances Ltd 2020

**Other product downloads available at fisherpaykel.com**

- [↓](#) Service & Warranty
- [↓](#) Data Sheet Oven



**A PEACE OF MIND SALE**

**24 Hours 7 Days a Week Customer Support**

**T 1.888.936.7872 W www.fisherpaykel.com**