

24" Dishwasher

Dishwasher

Available Products: EDSP4944CS

Available Colors: Stainless Steel

Version: 03/26

Product Specifications

Dishwasher

Detergent Dispenser	Yes
Filter Material	Stainless Steel
Filter Trap	Removable
Filtered Water	100 %
Hard Food Disposer or Filtration	Yes
Interior Light	Yes
Leak Detection System	Yes
Motor Speeds	Multi-Speed
Place Setting Capacity	14
Rinse Aid Dispenser	Yes
Smart Soil Sensor	Yes
Lower Spray Arm	Orbit
Middle Spray Arm	Bi-Beam
Upper Spray Arm	Spray Arm
Status Indicator Floor Beam	Yes
Tub Color	Stainless Steel
Tub Design	Tall Tub
Tub Material	Stainless Steel
Wash Levels	5
Wash System	Direct Feed

Dishwasher Options

Dry - Air	Yes
Dry - Heat	Yes
Dry - Max	Yes
Drying System	Even Dry
High Temperature	Yes
Start/Cancel	Yes

Upper Rack

Cup Shelf	Yes
Fold-Down	Yes
Maximum Height Clearance	10 3/8"
Minimum Height Clearance	8 1/2"
Rack Coating	Nylon
Rack Type	Deluxe
Stemware Holder	Yes
Targeted Wash Zone	Yes

Dishwasher Cycles

China Crystal	Yes
Energy Saver	Yes
Favorite	Yes
Heavy	Yes
Normal	Yes
Number of Cycles	8
Quick	Yes
Rinse Only	Yes
Sanitize	Yes

Lower Rack

Fold-Down	Yes
Maximum Height Clearance	13 1/4"
Minimum Height Clearance	11 1/4"
Number of Silverware Basket	1
Number of Silverware Basket Lids	2
Rack Coating	Nylon
Rack Type	Deluxe

Third Level Rack

Third Level Rack	Yes
Rack Coating	Nylon

Exterior

Door and Handle Design	Wide Pocket
Door Latch	Pull
Door Type	StayPut

Electrical Specifications

Amps @ 120 Volts	15 Amps
Voltage Rating	120 V

General Specifications

Sound Level	42 dBA
Annual Energy	225 kWh
Warranty - Labor	1 Year
Warranty - Parts	1 Year

Controls

Control Location	Top
Control Lock	Yes
Delay Start Hours	1-12 Hours
Digital Display	Yes
Rinse Aid Indicator	Yes

Safety Certifications and Approvals

cUL Listed	Yes
ETL Listed	Yes
Meets ASSE 1006 Requirements	Yes
NSF Certified	Yes
UL Listed	Yes

Dimensions and Volume

Minimum Height	33 3/4"
Maximum Height	35 3/4"
Width	24"
Depth	24 1/4"
Depth With Door Open	50 1/4"

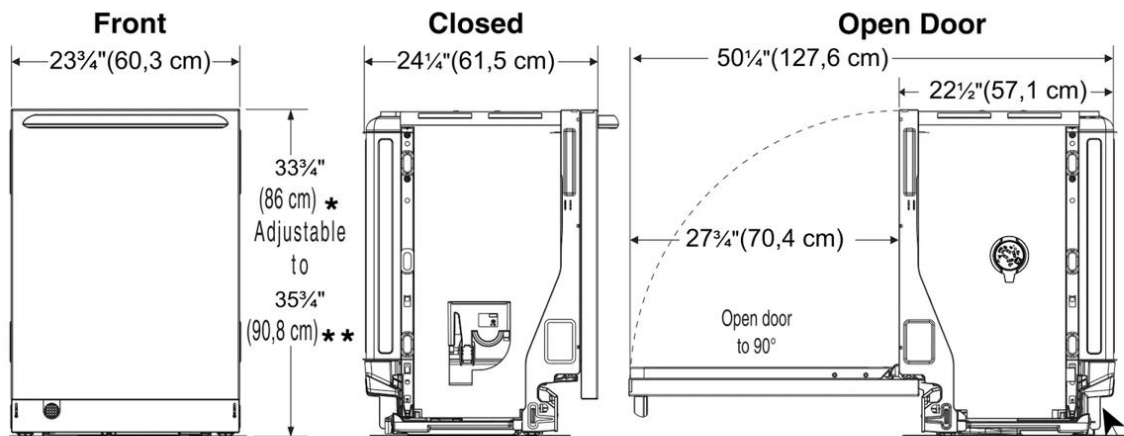
Installation

Connection Location	Right Bottom
Number of Leveling Legs	3
Water Inlet Location	Left Bottom Front

Performance Certifications and Approvals

CEE Tier	Tier 1
ENERGY STAR Certified	Yes

Installation Diagram



** Height only adjustable to 35 3/4" (90,8 cm) max when installed in 35 3/4" (90,8 cm) max standard cabinetry cutout. to 35 3/4"

* DIMENSIONS DO NOT INCLUDE INSULATION - INSULATION BLANKET MAY BE COMPRESSED UPON INSTALLATION. Power supply/water inlet location

