

RF29DB9600

SAMSUNG

Bespoke 4-Door Flex™ Refrigerator with Beverage Center™



Signature Features

Beverage Center™

Enjoy quick access to refreshingly cool, filtered water in two ways. Choose from an internal dispenser or a built-in AutoFill Water Pitcher that automatically refills, with the option to infuse with a flavor.

Dual Ice Maker with Ice Bites™

Select from cubed ice or Ice Bites™ that chills your drink faster.*

FlexZone™

Customize your lower-right storage space to be a refrigerator or freezer with five adjustable temperature settings.

*Compared to cubed ice.

Bespoke 4-Door Flex™ Standard Color Models



Stainless Steel



White Glass



Beverage Center™



Dual Ice Maker with Ice Bites™

Design

- Bespoke Design
- Beverage Center™
- Slide-In Shelf
- LED Lighting
- Gallon Door Bin

Technology

- Wi-Fi Enabled
- UV Deodorizing Filter
- Power Cool & Power Freeze
- Door Alarm
- Water Filter Indicator

Performance

- FlexZone™
- Dual Auto Ice Maker with Ice Bites™ and Cubed Ice
- Extra-Large Flexible Storage
- 2 Crisper Drawers
- Triple Cooling
- Metal Cooling

Rating



ENERGY STAR® rated:
634 kWh/yr

RF29DB9600

SAMSUNG

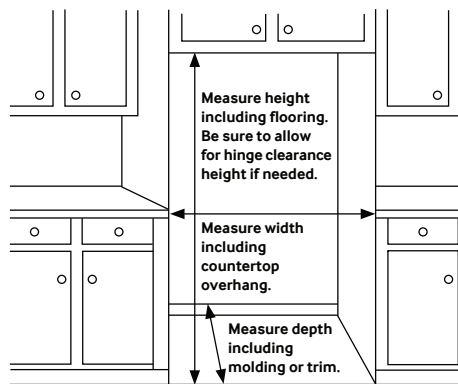
Bespoke 4-Door Flex™ Refrigerator with Beverage Center™

Installation Specifications

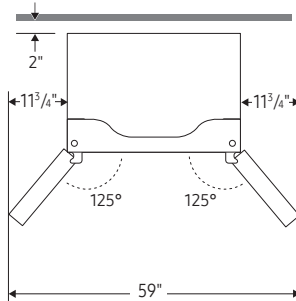
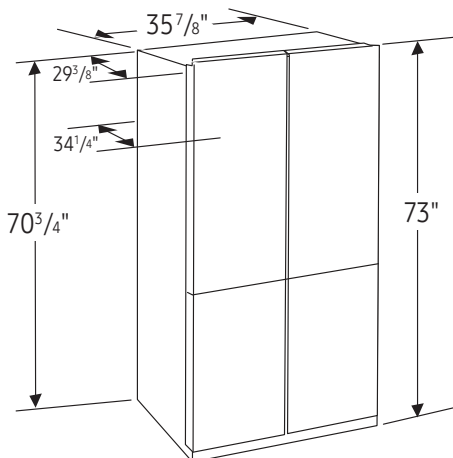
1. Measure the height, width and depth of the opening, making sure to include baseboards, molding tile, countertop overhang, etc. Check to be sure there is enough room to open the door (consider walls, islands or other obstacles when measuring).
2. Refer to illustrations below to determine dimensions.
3. Allow 2.5" of clearance on hinge side of refrigerator when installing next to a wall.
4. Allow 2" minimum clearance at rear for proper air circulation and water/electrical connections. Allow a 3/8" minimum clearance at sides and top for ease of installation.
5. Ensure each door and entryway in the home is wide enough for the refrigerator to be moved through easily.

For optimal usage and ability to open refrigerator doors completely, do not install next to a wall.

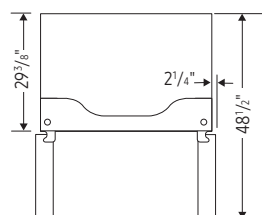
Please note: The following dimensions and cutout information is for planning purposes only. For complete installation details, consult manual packed with product or download manual online at samsung.com.



Dimensions



NOTE: Please allow 3/4" of clearance when installing along a wall.



Total Capacity: 28.6 cu. ft.

Refrigerator: 17 cu. ft.

- 1 Slide-In Shelf, 3 Tempered Glass Spill-Proof Shelves
- 2 Clear Crisper Drawers
- 6 Door Bins with 1 Gallon Door Bin
- LED Lighting

Freezer: 5.8 cu. ft.

- Dual Ice Maker in Freezer (Ice Bites™ or Cubed Ice)
2 Ice Buckets with Cover and 1 Scoop
- 4 Slide-Out Shelves
- 6 Door Bins
- LED Lighting

FlexZone™: 5.8 cu. ft.

- 5 Temperature Settings: Freeze, Soft Freeze, Meat/Fish, Fruit/Veggies, Beverage

Accessories

Water Filter: HAF-QIN

Warranty

One (1) Year Parts and Labor on Refrigerator

Five (5) Years Parts and Labor on Sealed Refrigeration System Only*

Ten (10) Years Parts and Five (5) Years

Labor on Digital Inverter Compressor

*Compressor, evaporator, condenser, drier and connecting tubing.

Product Dimensions

Dimensions (WxHxD with hinges and doors):

35⁷/₈" x 73" x 34¹/₄"

Dimensions (WxHxD without hinges and doors):

35⁷/₈" x 70³/₄" x 29³/₈"

Shipping Dimensions (WxHxD)

Dimensions: 38¹/₄" x 78⁵/₈" x 36¹/₄"

Color	Model #	UPC Code	Product & Shipping Weight (lbs)	
Fingerprint Resistant Stainless Steel	RF29DB9600QL	887276826936	332.9	354.9
White Glass	RF29DB960012	887276826912	341.7	363.8