

GE® 5.0 cu. ft. Capacity Front Load ENERGY STAR® Steam Washer with SmartDispense™ and UltraFresh Vent System with OdorBlock™

GE® 5.0 cu. ft. Capacity Front Load

ENERGY STAR® Steam Washer with SmartDispense™ and UltraFresh Vent System with OdorBlock™

DIMENSIONS AND INSTALLATION INFORMATION (IN INCHES)

ELECTRIC RATING

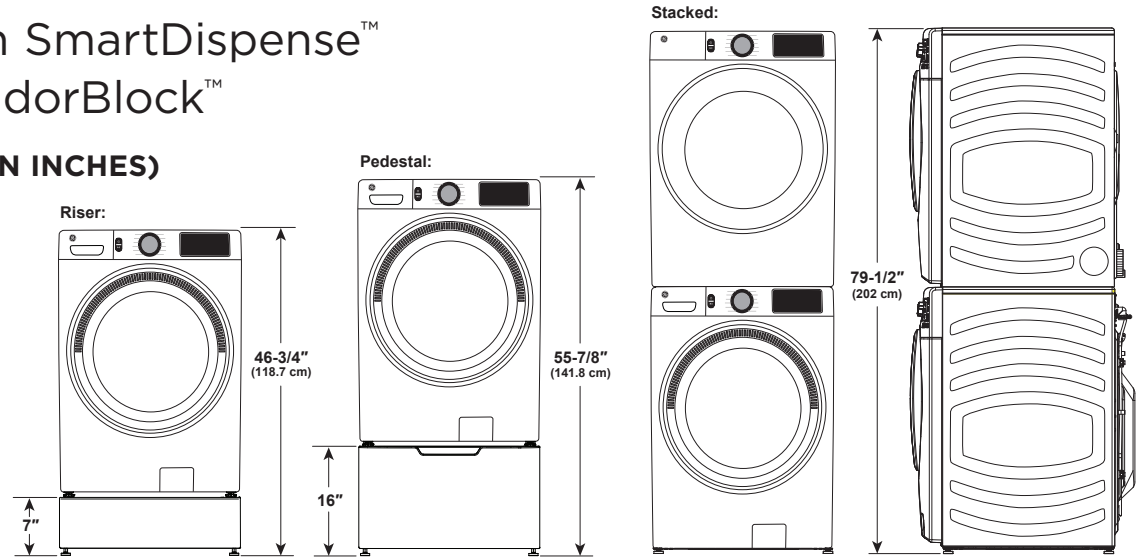
120V	11.0A, 60Hz
------	-------------

INSTALLATION INFORMATION:

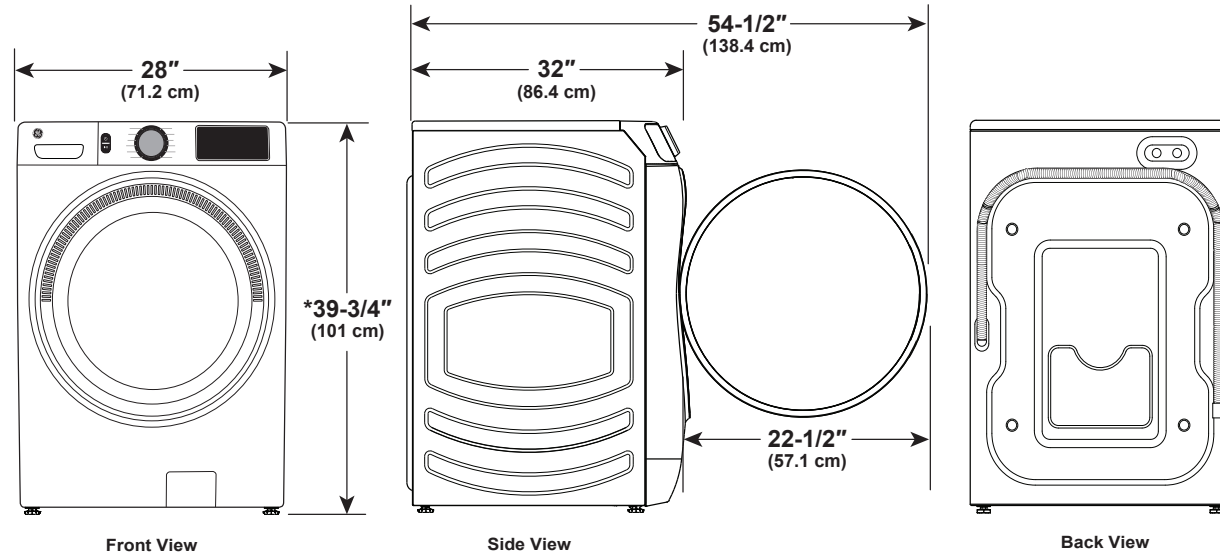
For complete information, see installation instructions packed with your washer.

INCLUDED:

- Power cord - up to 66" length
- Drain hose - up to 60" length



ADA Compliant



*With leveling legs retracted:
39-3/4" (101 cm).
With leveling legs fully extended:
40-5/8" (103.1 cm).



For answers to your Monogram, GE Café™, GE Profile™ or GE Appliances product questions, visit our website at geappliances.com or call GE Answer Center® Service, 800.626.2000.



GE® 5.0 cu. ft. Capacity Front Load ENERGY STAR® Steam Washer with SmartDispense™ and UltraFresh Vent System with OdorBlock™

GFW655SSVWW / GFW655SPVDS

SPECIAL INSTALLATION REQUIREMENTS:

STACKED INSTALLATION:

-Brackets for stacking dryer over washer are not included with the washer. Order part no. GFA28KITN.

ALCOVE OR CLOSET INSTALLATION:

-If your dryer is approved for installation in an alcove or closet, it will be stated on a label on the dryer back.

-The dryer MUST be exhausted to the outside.

-Minimum clearances between dryer cabinet and adjacent walls or other surfaces are: 0" all sides and top.*

-Closet doors must be louvered or otherwise ventilated and must contain a minimum of 60 sq. in. of open area equally distributed. If this closet contains both a washer and a dryer, doors must contain a minimum of 120 sq. in. of open area equally distributed.

-No other fuel-burning appliance shall be installed in the same closet with a gas dryer.

BATHROOM OR BEDROOM INSTALLATION:

-The dryer MUST be exhausted to the outdoors.

-The installation must conform with the local codes, or in the absence of local codes, with the National Electric Code and National Fuel Gas Code, ANSI Z223.

MINIMUM CLEARANCE OTHER THAN ALCOVE OR CLOSET INSTALLATIONS:

-Minimum clearances to combustible surfaces 0" all sides and top.*

FOR MORE INFORMATION ON VENTING KITS AND ACCESSORIES, PLEASE CALL 1-800-GE-CARES.

*For improved performance, a 1/2" clearance is suggested on each side.

**Accessories sold separately.



For answers to your Monogram, GE Café™, GE Profile™ or GE Appliances product questions, visit our website at geappliances.com or call GE Answer Center® Service, 800.626.2000.

WEIGHT

-Carton weight 255.7 lbs.

-Product weight 246 lbs.

ACCESSORIES**

GE Part Number	Description
WR97X27706	Touch-up Paint (Carbon Graphite) .06 oz.
WB64X5025	Touch-up Paint (White) .06 oz.
WH49X316	Drain Hose Extension
PM7X2	Universal Low-Profile Floors Tray (White)
WX17X10001CA	Vibration Pads
WH41X10207	Fill Hose
GFP1528SNWW	Pedestal Accessory (White)
GFP1528PTDS	Pedestal Accessory (Carbon Graphite)
GFR0728SNWW	Riser (White)
GFR0728PTDS	Riser (Carbon Graphite)
GFA28KITN	Stacking Kit

WARRANTY

Labor Warranty	Limited 1-year entire appliance
Parts Warranty	Limited 1-year entire appliance Limited 10-year motor



Listed by Underwriters Laboratories

GE® 5.0 cu. ft. Capacity Front Load ENERGY STAR® Steam Washer with SmartDispense™ and UltraFresh Vent System with OdorBlock™

GE® 5.0 cu. ft. Capacity Front Load ENERGY STAR® Steam Washer with SmartDispense™ and UltraFresh Vent System with OdorBlock™

FEATURES AND BENEFITS

UltraFresh Vent System with OdorBlock™ – The first and only UltraFresh Vent System with OdorBlock™ eliminates excess moisture to help prevent odors ensuring your washer stays fresh and clean.

Microban® Antimicrobial Technology – Built into components including the gasket, dispenser and draining system delivers protection that lives on load after load.

SmartDispense™ Technology – Save time and make laundry effortless with an intelligent dispenser that holds up to 32 loads of detergent and automatically dispenses the right amount each time.

Built-in WiFi – Start, stop and monitor your laundry from anywhere while receiving real-time notifications and updates.

Dynamic Balancing Technology (dBT™) – Our patented, time saving technology senses and re-balances uneven loads during the spin cycle, providing a quiet wash.

Reversible Door – Easily reverse your washer and dryer door for superior installation flexibility.

Quick Wash Cycle – Provides a fast 20 minute wash for lightly soiled items.

Sanitize + Allergen – Industry-first cycle sanitizes fabrics to kill 99% of common bacteria and allergens such as dust mites.

Steam Cycles – Safely penetrates deep into fabric fibers, loosening stains to deliver enhanced cleaning performance.

Dryer Control™ – When units are stacked, turn on and control your dryer settings right from your washer's control panel, eliminating the need to reach the dryer's control panel.

More Water Option – For bulky items like a king-sized comforter or for heavily soiled loads, this option adds up to an additional 3 gallons of water for a deep water wash and rinse.

Shallow Depth – Never compromise on convenience with this 32" shallow depth washer that easily fits into tight spaces like an alcove or closet, making it a suitable solution for homes of any size.

Time Saver – When you need to get a full load of clothes clean in only 37 minutes.

My Settings – Store preferred dry cycle settings for later use, maximize time and alleviate adjusting cycle preferences with every load.

Model GFW655SSVWW – White

Model GFW655SPVDS – Carbon Graphite



For answers to your Monogram, GE Café™, GE Profile™ or GE Appliances product questions, visit our website at geappliances.com or call GE Answer Center® Service, 800.626.2000.



Listed by
Underwriters
Laboratories