

Built-In
30" Freezer

F 1813 SF / F 1803 SF



Built-In 30" Freezer

F 1813 SF / F 1803 SF



Features:

- MasterCool controls
- ClearView lighting system
- Drop and Lock Shelves
- SmartFresh storage drawers
- FullView storage drawers
- Ice maker
- RemoteVision capable
- Acoustic door and temperature alarm
- Optical door and temperature alarm
- Energy Star

SPECIFICATIONS

F 1803 SF — Item 37180311USA - Right Hinged

F 1813 SF — Item 37181311USA - Left Hinged

Overall Unit Width - Excluding Fascia Dimension 29³/₄" (755 mm)

Overall Unit Height - Excluding Fascia Dimension 83¹/₂" - 85³/₁₆" (2121 mm - 2165 mm)

Overall Unit Depth - Excluding Fascia Dimension 24" (610 mm)

Overall Fascia Dimensions 30¹/₂" (775 mm) W x 84" - 85¹¹/₁₆" (2134 mm - 2176.5 mm) H x ³/₄" (19 mm) D

Niche

Minimum Cabinet Opening Width 30" (762 mm)

Minimum Cabinet Opening Height 83⁵/₈" (2124 mm)

Minimum Cabinet Opening Depth 24" (610 mm)

Plumbing

Water Supply Requirements Connect to a cold water supply only. Must be connected to a shut-off valve. The water shut-off valve must be accessible after installation. The water pressure must be between 25 psi (1.7 bar) and may not exceed 80 psi (5.5 bar). If the pressure is higher than 80 psi (5.5 bar), a pressure reducing valve must be installed.

Water Connection Line Standard 1/4" O.D flexible water line needed. The maximum outer diameter of the water pipe (without fittings): 3/8" (10 mm). (water line is not included).

Electrical

Electrical Requirements - Volts/Amps 110V / 120V, 60Hz, 15 Amps
In the case of side-by-side installations, a separate outlet must be used for each appliance.

Power Cord - Plug and length Yes - NEMA 5-15 plug, 5 ft (1.52 m)

Shipping

Shipping Weight 470 lbs (213 kg)

Shipping Dimensions 33⁵/₈" W x 89³/₄" H x 29¹/₄" D

Support

Call Miele 800.843.7231

Miele Website www.mieleusa.com

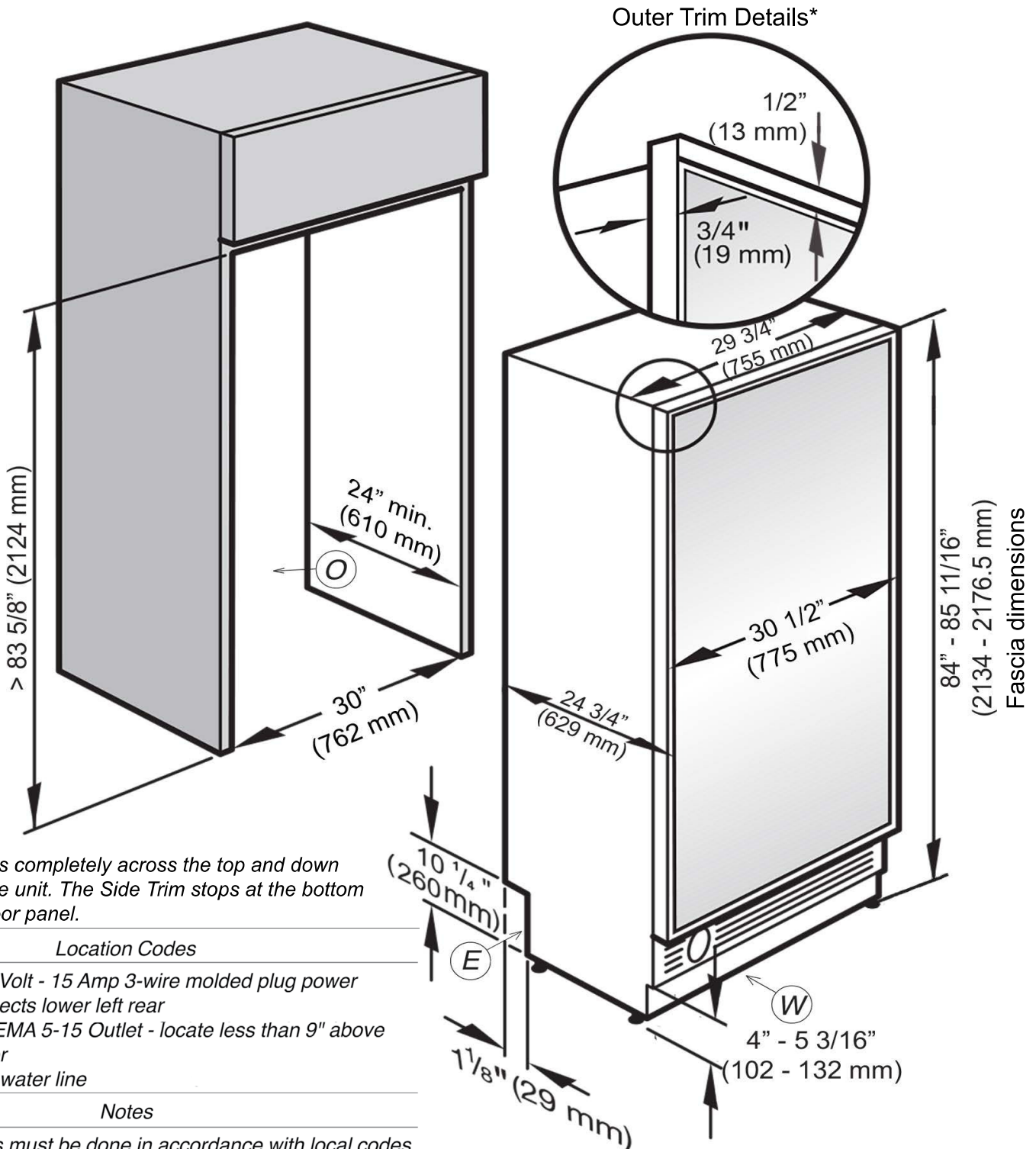
20/20 Link 2020technologies.com

Built-In 30" Freezer

F 1813 SF / F 1803 SF



FOR PROUD INSTALLATION



* Outer Trim runs completely across the top and down the sides of the unit. The Side Trim stops at the bottom edge of the door panel.

Location Codes

- E - 5 foot - 120 Volt - 15 Amp 3-wire molded plug power supply connects lower left rear
- O - Standard NEMA 5-15 Outlet - locate less than 9" above finished floor
- W - 1/4" flexible water line

Notes

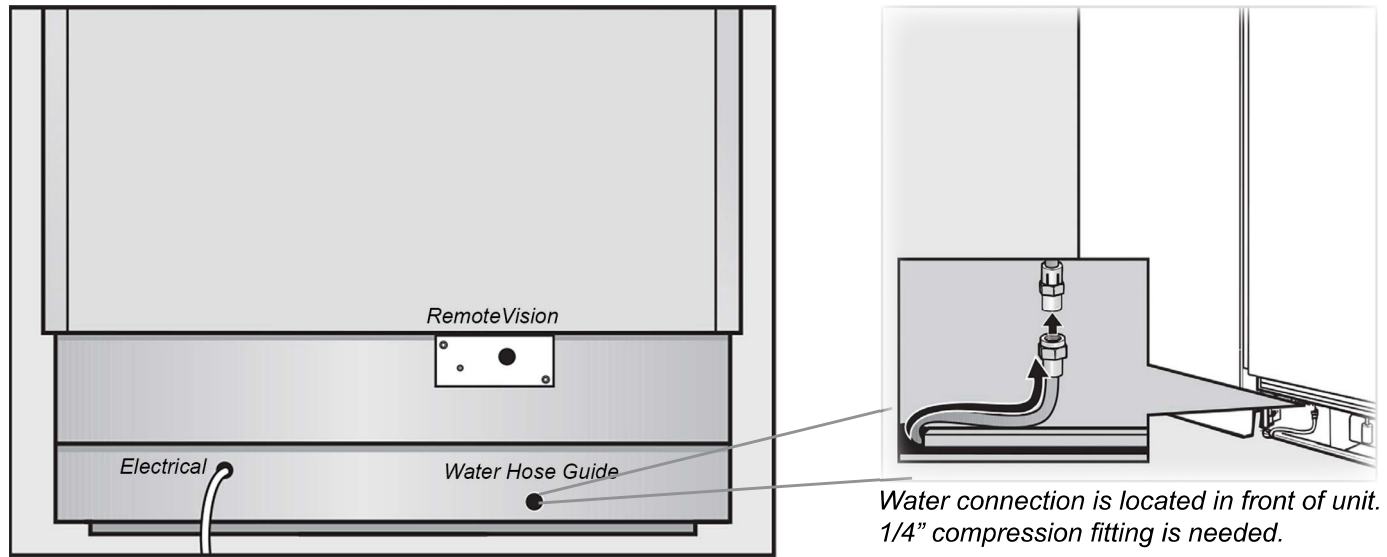
- All Installations must be done in accordance with local codes
- Sides of adjoining cabinets should be filled (flush to frame) to insure proper fit and finish
- For Proud Installation - please adjust accordingly

Built-In 30" Freezer

F 1813 SF / F 1803 SF

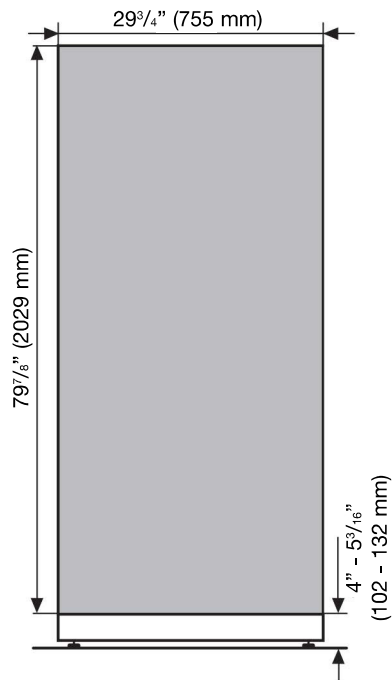


POWER SUPPLY AND WATER CONNECTION BACK VIEW



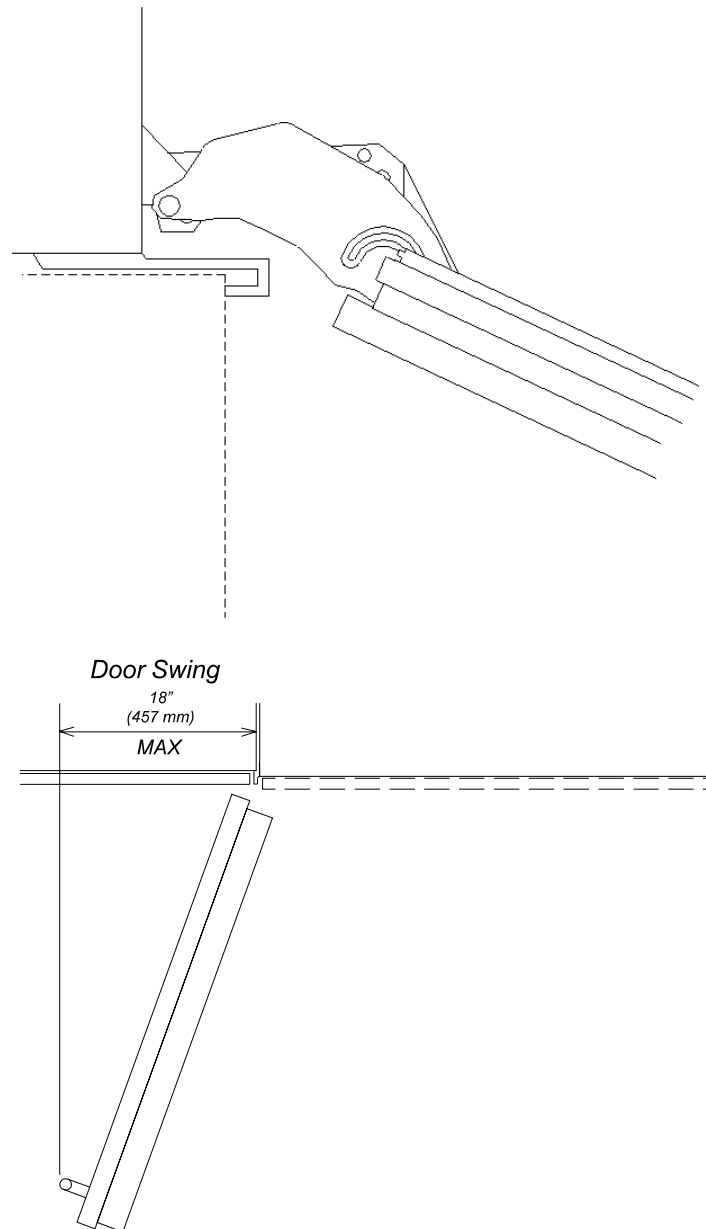
Electrical - 5 foot (1.52 m) - 120 Volt - 15 Amp - NEMA 5-15 molded plug
Water line - 1/4" flexible water line - not included

DOOR PANEL DIMENSIONS WITHOUT OUTER TRIM



HINGING DETAILS

115° Door



NOTE: Additional space needed depending on the thickness of front panels and handle used.
Freezer units cannot be stop pinned at 90°