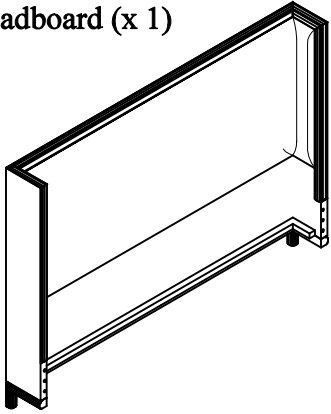
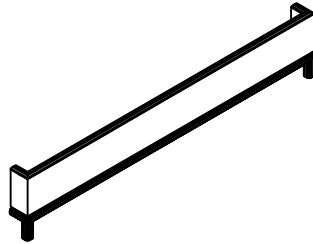


TA82106/ TA83106/ TA84106 ASSEMBLY INSTRUCTION

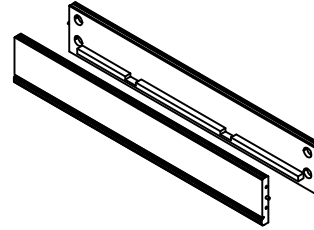
P1 Headboard (x 1)



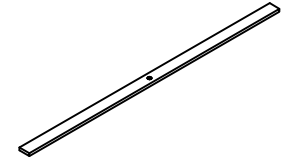
P2 Footboard (x 1)



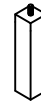
P3 Side rail (x 1)



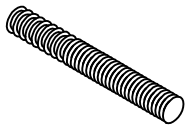
P4 Center Slat (x 2)



P5 Center Support (x 2)



1 Steel threaded bar (x 8)



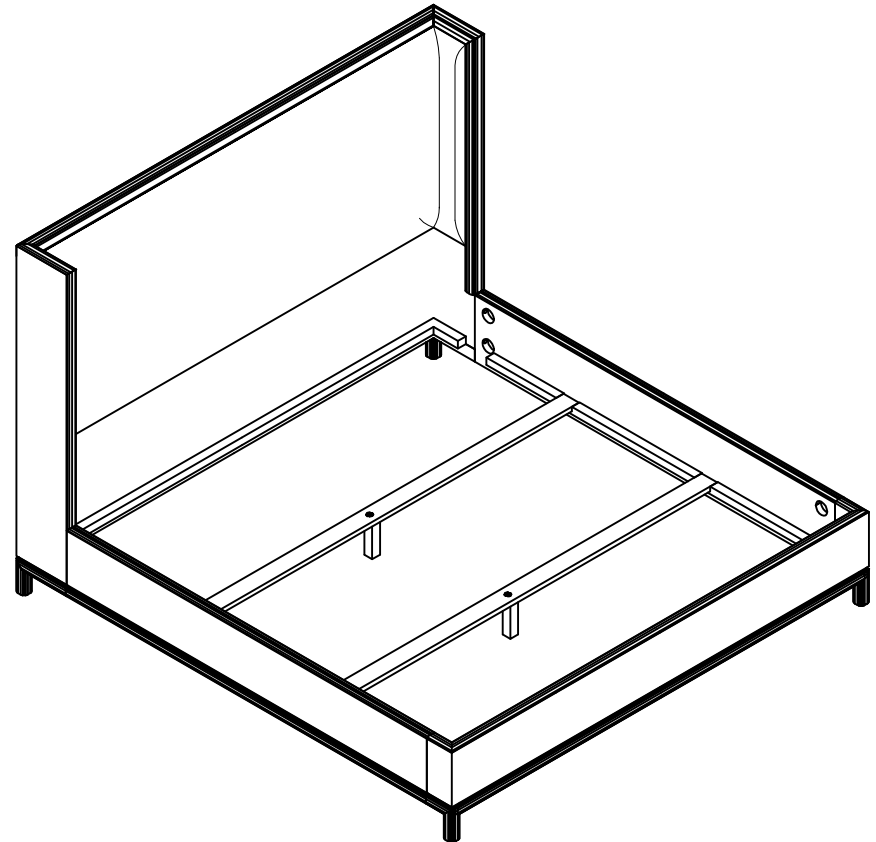
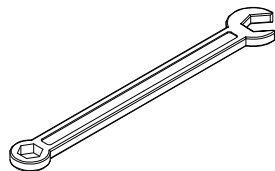
3 Hexagonal nut, lock, flat washer (x 8)



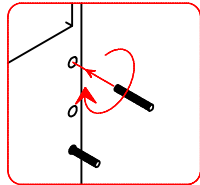
2 Half moon washer (x 8)



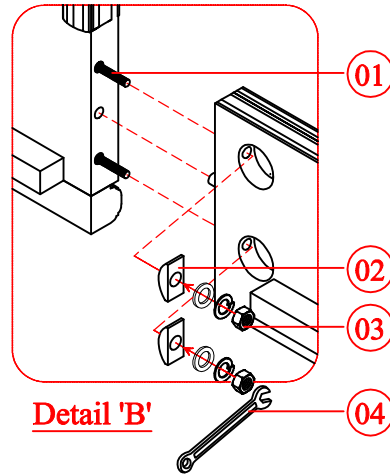
4 Steel open wrench (x 1)



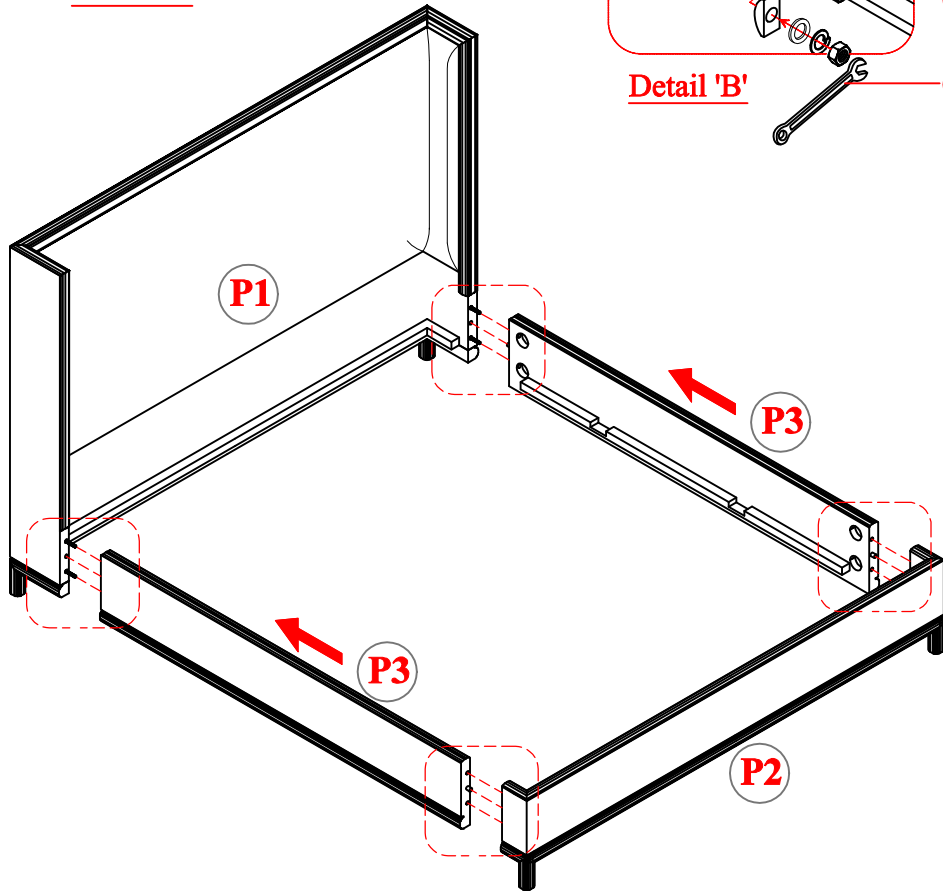
STEP 1 :



Detail 'A'

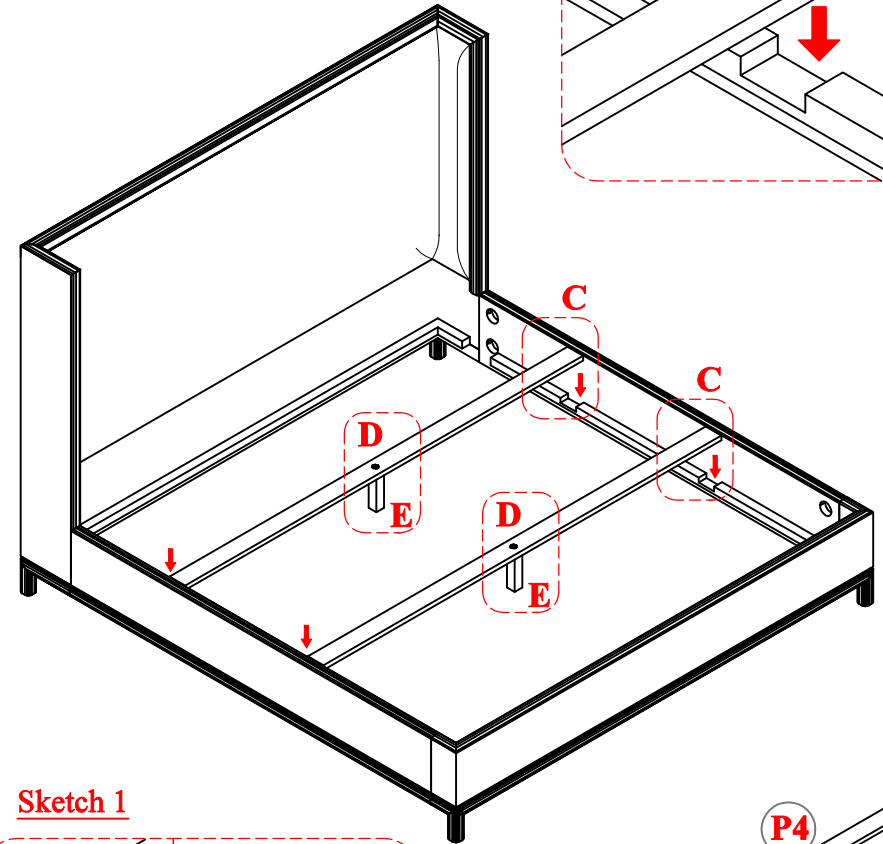
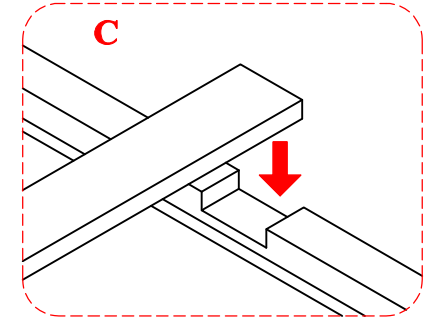


Detail 'B'



STEP 2 :

Sketch 2



Sketch 1

