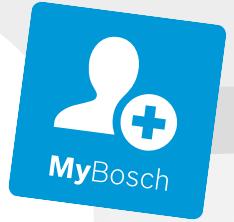




**Register** your  
appliance and join  
the Bosch  
family of perks:  
[bosch-home.com/us/  
mybosch](https://bosch-home.com/us/mybosch)



# Free-standing range

**HDS8055U   HDS8055C   HDS8045U   HDS8045C**

**[en-us]** Use and Care Manual  
**[fr-ca]** Manuel d'utilisation

Free-standing range  
Cuisinière amovible

2  
46

## Table of contents

<b>1 IMPORTANT SAFETY INSTRUCTIONS.....</b>	<b>3</b>	8.5 Panel lock .....	26
1.1 Safety definitions.....	4	8.6 Getting the most out of your appliance .....	26
1.2 General information.....	4	<b>9 Cleaning and maintenance.....</b>	<b>30</b>
1.3 Intended use .....	4	9.1 Cleaning and maintenance-cooktop .....	30
1.4 Restriction on user group .....	4	9.2 Cleaning and maintenance - oven.....	31
1.5 Safe use.....	4	<b>10 Cooking charts .....</b>	<b>36</b>
1.6 Child safety .....	7	10.1 Baked goods/entrees .....	36
1.7 Gas safety.....	8	10.2 Meats .....	38
1.8 Cleaning function .....	8	<b>11 Troubleshooting.....</b>	<b>42</b>
1.9 Proper installation and maintenance .....	8	<b>12 Disposal.....</b>	<b>43</b>
1.10 Conversion to Liquefied Petroleum gas.....	9	12.1 Disposal of your old appliance.....	43
1.11 High altitude installation .....	10	<b>13 Customer Service.....</b>	<b>43</b>
1.12 State of California Proposition 65 Warnings .....	10	13.1 Model number (E-Nr.) and production number (FD).....	43
<b>2 Preventing material damage .....</b>	<b>11</b>	13.2 Rating plate location.....	43
2.1 Preventing oven cavity damage .....	11	<b>14 STATEMENT OF LIMITED PRODUCT WARRANTY .....</b>	<b>44</b>
2.2 Preventing cooktop damage.....	11	14.1 What this warranty covers & Who it applies to.....	44
<b>3 Environmental protection and energy-saving .....</b>	<b>11</b>	14.2 How long the warranty lasts .....	44
3.1 Disposal of packaging .....	11	14.3 Repair/replace as your exclusive remedy .....	44
3.2 Saving energy when using the oven.....	11	14.4 Out of warranty product.....	45
3.3 Saving energy when using the cooktop.....	12	14.5 Warranty exclusions.....	45
<b>4 Familiarizing yourself with your appliance .....</b>	<b>13</b>	14.6 Obtaining warranty service .....	45
4.1 Appliance .....	13	14.7 Product information .....	45
<b>5 Accessories.....</b>	<b>17</b>		
5.1 Other accessories .....	17		
5.2 Fitting the telescopic rail set.....	17		
5.3 Inserting racks.....	17		
5.4 Griddle .....	18		
5.5 Installing the griddle .....	18		
<b>6 Before using for the first time .....</b>	<b>18</b>		
6.1 Before using the oven for the first time .....	19		
6.2 Before using the cooktop for the first time .....	19		
<b>7 Cooktop operation .....</b>	<b>20</b>		
7.1 About the appliance .....	20		
7.2 To operate .....	20		
7.3 In case of power failure .....	20		
7.4 Flame failure safety system.....	20		
7.5 Normal operation - electronic ignition .....	20		
7.6 Before first use.....	20		
7.7 Getting the most out of your appliance.....	20		
7.8 Settings recommendations.....	21		
7.9 Standard burner cooking table .....	21		
7.10 Notes regarding cookware .....	23		
<b>8 Oven operation.....</b>	<b>24</b>		
8.1 Switching on the oven .....	24		
8.2 Time-setting options.....	24		
8.3 Core temperature meat probe .....	25		
8.4 Sabbath mode.....	26		



# IMPORTANT SAFETY INSTRUCTIONS

## READ AND SAVE THESE INSTRUCTIONS

---

Read all instructions carefully before use. These precautions will reduce the risk of electrical shock, fire and injury to persons. When using kitchen appliances, basic safety precautions must be followed including those in the following pages.

**⚠ WARNING:** If the information in these instructions is not followed exactly, a fire or explosion may result causing property damage, personal injury or death.

- Do not store or use gasoline or other flammable vapors and liquids in the vicinity of this or any other appliance.
- **WHAT TO DO IF YOU SMELL GAS**
  - Do not try to light any appliance.
  - Do not touch any electrical switch.
  - Do not use any phone in your building.
  - Immediately call your gas supplier from a neighbor's phone. Follow the gas supplier's instructions.
  - If you cannot reach your gas supplier, call the fire department.
- Installation and service must be performed by a qualified installer, service agency or the gas supplier.

**⚠ WARNING:**

**Never Operate the Top Surface Cooking Section of this Appliance Unattended.**

- Failure to follow this warning statement could result in fire, explosion, or burn hazard that could cause property damage, personal injury, or death.
- If a fire should occur, keep away from the appliance and immediately call your fire department.

**DO NOT ATTEMPT TO EXTINGUISH  
AN OIL/GREASE FIRE WITH WATER.**



# IMPORTANT SAFETY INSTRUCTIONS

## READ AND SAVE THESE INSTRUCTIONS

---

### 1.1 Safety definitions

Here you can find explanations of the safety signal words used in this manual.

#### **WARNING**

This indicates that death or serious injuries may occur as a result of non-observance of this warning.

#### **CAUTION**

This indicates that minor or moderate injuries may occur as a result of non-observance of this warning.

#### **NOTICE:**

This indicates that damage to the appliance or property may occur as a result of non-compliance with this advisory.

**Note:** This alerts you to important information and/or tips.

### 1.2 General information

- Read this manual carefully.
- Do not connect the appliance if it has been damaged in transit.

### 1.3 Intended use

Only use this appliance:

- To prepare meals and drinks.
- Under supervision. Never leave the appliance unattended when cooking for short periods.
- For normal household use and in enclosed spaces in a residential environment.

Do not use the appliance:

- On boats or in vehicles.
- as a room heater.
- This appliance is not intended for operation with an external time switch or external remote control.

Call Customer Service if you want to convert your appliance to a different type of gas.

### 1.4 Restriction on user group

This appliance is not intended for use by persons (including children) with reduced physical, sensory or mental capabilities, or lack of experience and knowledge,

unless they have been given supervision or instruction concerning use of the appliance by a person responsible for their safety.

When children become old enough to use the appliance, it is the responsibility of the parents or legal guardians to ensure that they are instructed in safe practices by qualified persons.

Children should be supervised to ensure that they do not play with the appliance.

Do not let children play with the appliance.

### 1.5 Safe use

#### **WARNING**

When properly cared for, your new appliance has been designed to be safe and reliable.

- ▶ Read all instructions carefully before use. These precautions will reduce the risk of burns, electric shock, fire, and injury to persons.
- ▶ When using kitchen appliances, basic safety precautions must be followed, including those in the following pages.

#### **WARNING**

Overheated materials can cause fire or burns.

- ▶ Do not allow aluminum foil, plastic, paper or cloth to come in contact with a hot surface element, burner or grate.
  - ▶ Do not allow pans to boil dry.
- Set the burner control so that the flame does not extend beyond the bottom of the pan.
- Take care that drafts like those from fans or forced air vents do not push the flames so that they extend beyond the edges of the pan.

Unattended cooking on a cooktop with fat or oil can be dangerous and may result in a fire.

- ▶ Do not leave the cooktop unattended when in use. If materials inside an oven or warming drawer should ignite, keep door closed.
- ▶ Turn off the appliance and disconnect the circuit at the circuit breaker box.

A fire could occur during cooking.

- ▶ Always have a working smoke detector near the kitchen.
- ▶ Have an appropriate fire extinguisher available, nearby, highly visible and easily accessible near the appliance.



# IMPORTANT SAFETY INSTRUCTIONS

## READ AND SAVE THESE INSTRUCTIONS

NEVER cover any slots, holes or passages in the oven bottom or cover an entire rack with materials such as aluminum foil.

- ▶ Doing so blocks air flow through the oven and may cause carbon monoxide poisoning.
- ▶ Aluminum foil linings may also trap heat, causing a fire hazard.

If the cooktop is near a window, forced air vent or fan, be certain that flammable materials such as window coverings do not blow over or near the burners or heating elements. They could catch on fire.

Cooking fires can spread if extinguished incorrectly.

- ▶ Never use water on cooking fires.

### WARNING

TO REDUCE THE RISK OF A RANGE TOP GREASE FIRE

- ▶ Never Leave Surface Units Unattended at High Settings - Boilovers cause smoking and greasy spillovers that may ignite. Heat oils slowly on low or medium settings.
- ▶ Always turn hood ON when cooking at high heat or when flambing food (i.e. Crepes Suzette, Cherries Jubilee, Peppercorn Beef Flambe').
- ▶ Clean ventilating fans frequently. Grease should not be allowed to accumulate on fan or filter.
- ▶ Use proper pan size. Always use cookware appropriate for the size of the surface element.

Flames can be drawn into the ventilation system.

- ▶ Whenever possible, do not operate the ventilation system during a cooktop fire. However, do not reach through fire to turn it off.

Cookware Handles Should be Turned Inward and Not Extend Over Adjacent Surface Units.

- ▶ To reduce the risk of burns, ignition of flammable materials, and spillage due to unintentional contact with the cookware, the handle of a cookware should be positioned so that it is turned inward, and does not extend over adjacent surface units.

Wear Proper Apparel. Loose-fitting or hanging garments, such as ties, scarves, jewelry, or dangling sleeves, should never be worn while using the appliance.

- ▶ Tie long hair so that it does not hang loose.
- ▶ Secure all loose garments, etc. before beginning.

### CAUTION

The cooking process has to be supervised. A short term cooking process has to be supervised continuously.

### WARNING

To avoid risk of fire do not store items on the cooking surfaces.

In the event that personal clothing or hair catches fire, drop and roll immediately to extinguish flames.

Do Not Use Water on Grease Fires.

- ▶ Smother fire or flame or use dry chemical or foam-type extinguisher.

Adjust burner flame size so that it does not extend beyond the edge of the cookware. Proper relationship of cookware to burner flame reduces safety risks.

### CAUTION

The oven vents are important for air circulation. Covering the oven vents will cause the oven to overheat. Refer to the appliance overview for the location of the oven vents.

→ *Page 13*

- ▶ Do not obstruct the front oven vent or rear vent trim.

### WARNING

Use Only Dry Potholders - Moist or damp potholders on hot surfaces may result in burns from steam.

- ▶ Do not let potholders touch hot heating elements.
  - ▶ Do not use a towel or other bulky cloth.
- Hot oil is capable of causing extreme burns and injury.
- ▶ Use high heat settings on the cooktop only when necessary.
  - ▶ To avoid bubbling and splattering, heat oil slowly on no more than a low-medium setting.
  - ▶ Never move a pan of hot oil, especially a deep fat fryer. Wait until it is cool.

Spills of hot food may cause burns.

- ▶ Hold the handle of the pan when stirring or turning food.

This helps prevent spills and movement of the pan.

DO NOT TOUCH SURFACE UNITS OR AREAS NEAR UNITS. Surface units may be hot even though they are dark in color. Areas near surface units may become hot enough to cause burns.

- ▶ During and after use, do not touch, or let clothing, potholders, or other flammable materials contact surface units or areas near units until they have had sufficient time to cool. Among these areas are the cooktop and areas facing the cooktop.

DO NOT TOUCH HEATING ELEMENTS OR INTERIOR SURFACES OF OVEN - Heating elements may be hot even though they are dark in color. Interior surfaces of an oven become hot enough to cause burns.

- ▶ During and after use, do not touch, or let clothing, potholders, or other flammable materials contact heating elements or interior surfaces of oven until they



# IMPORTANT SAFETY INSTRUCTIONS

## READ AND SAVE THESE INSTRUCTIONS

have had sufficient time to cool. Other surfaces of the appliance may become hot enough to cause burns.

Among these surfaces are oven vent openings, surfaces near these openings and oven doors.

Exercise caution when opening the appliance.

- ▶ Standing to the side, open the door (or drawer) slowly and slightly to let hot air and/or steam escape.
- ▶ Keep your face clear of the opening and make sure there are no children or pets near the unit.
- ▶ After the release of hot air and/or steam, proceed with your cooking.
- ▶ Keep doors shut unless necessary for cooking or cleaning purposes.
- ▶ Do not leave open doors unattended.

Do not clean the appliance while it is still hot. Some cleaners produce noxious fumes when applied to a hot surface. Wet clothes and sponges can cause burns from steam.

After a spill or boilover, turn off the burner and allow the cooktop to cool.

- ▶ Clean around the burner and burner ports.
- ▶ After cleaning, check for proper operation.

Inspect your cookware for damage or excessive wear before using it.

### CAUTION

Use caution when cooking foods with high alcohol content (e.g. rum, brandy, bourbon) in the oven. Alcohol evaporates at high temperatures. There is a risk of burning as the alcohol vapors may catch fire in the oven.

- ▶ Use only small quantities of alcohol in foods, and open the oven door carefully.

The oven racks and the oven cavity surfaces become very hot during cooking.

- ▶ Place oven racks in the desired positions before turning oven on.
- ▶ Always use oven mitts when the oven is warm.
- ▶ If a rack must be moved while the oven is hot, do not let oven mitts contact hot heating elements.
- ▶ Use caution when removing oven racks from the lowest rack position to avoid contact with the hot oven door.

### WARNING

Avoid reaching or leaning over the appliance.

- ▶ Be aware that certain clothing and hair sprays may contain flammable chemicals that could be ignited if brought in to contact with hot surface units or heating elements and may cause severe burns.

Do not place any objects on the projecting control panel in front of the burners. The area becomes very hot during cooking.

The oven interior and the meat probe become very hot.

- ▶ Use oven mitts to plug and unplug the meat probe.

### WARNING

Storage in or on Appliance - The use of corrosive chemicals in heating or cleaning will damage the appliance and could result in injury.

- ▶ Flammable materials, corrosive chemicals, vapors or non-food products should not be stored or used in an oven or on or near surface units.
- ▶ The appliance is specifically designed for use when heating or cooking food.

This appliance is intended for normal family household use only.

- ▶ It is not approved for outdoor use.
- ▶ See the Statement of Limited Product Warranty. If you have any questions, contact the manufacturer.

### WARNING

Using this appliance other than for its intended use can cause fire or injury to persons.

- ▶ Use this appliance only for its intended use as described in this manual.
  - ▶ NEVER use your appliances as a space heater for warming or heating the room. Doing so may result in overheating the appliance.
  - ▶ Never use the appliance for storage.
- WARNING - TO REDUCE THE RISK OF INJURY TO PERSONS IN THE EVENT OF A RANGE TOP GREASE FIRE, OBSERVE THE FOLLOWING.**
- ▶ **SMOTHER FLAMES** with a close-fitting lid, cookie sheet, or metal tray, then turn off the burner. **BE CAREFUL TO PREVENT BURNS.** If the flames do not go out immediately, **EVACUATE AND CALL THE FIRE DEPARTMENT.**
  - ▶ **NEVER PICK UP A FLAMING PAN** – You may be burned.
  - ▶ **DO NOT USE WATER**, including wet dishcloths or towels – a violent steam explosion will result.
  - ▶ Use an extinguisher **ONLY** if:
    - You know you have a Class ABC extinguisher, and you already know how to operate it.
    - The fire is small and contained in the area where it started.
    - The fire department is being called.
    - You can fight the fire with your back to an exit.



# IMPORTANT SAFETY INSTRUCTIONS

## READ AND SAVE THESE INSTRUCTIONS

Do not heat or warm unopened food containers. Build-up of pressure may cause the container to burst and cause injury.

Failure to operate knobs properly may result in personal injury and damage to the appliance.

Glazed Cooking Utensils - Only certain types of glass, glass/ceramic, ceramic, earthenware, or other glazed utensils are suitable for cooktop or range-top service without breaking due to the sudden change in temperature.

Cooking or roasting bags might explode.

- ▶ Follow the manufacturer's directions when using cooking or roasting bags.

### CAUTION

To avoid possible injury or damage to the appliance, ensure oven rack is installed exactly per installation instructions and not backwards or upside down.

Do not place anything on the oven cavity bottom. Do not cover it with aluminum foil. A build-up of heat could damage the appliance or cause injury.

### WARNING

Moisture intrusion may cause an electric shock.

- ▶ Do not use any steam cleaners or high-pressure cleaners to clean the appliance.

If the appliance or the power cord is damaged, this is dangerous.

- ▶ Do not turn the power on if the appliance or the power cord is damaged. Doing so may cause injury.
- ▶ Never operate a damaged appliance.
- ▶ If the appliance or the power cord is damaged, immediately unplug the power cord or switch off the breaker in the circuit breaker box and turn off the gas supply.
- ▶ Call Customer Service. → *Page 43*
- ▶ Repairs to the appliance must only be performed by an authorized service provider.

### WARNING

Scratched glass in the appliance door may develop into a crack.

- ▶ Do not use any harsh or abrasive cleaners or sharp metal scrapers to clean the glass on the oven door, as they may scratch the surface.

Use of a wrong meat probe can damage the insulation. Use only the meat probe intended for this appliance.

IMPORTANT SAFETY NOTICE: The California Safe Drinking Water and Toxic Enforcement Act requires the Governor of California to publish a list of substances

known to the state to cause cancer, birth defects or other reproductive harm, and requires businesses to warn customers of potential exposure to such substances. The burning of gas cooking fuel and the elimination of soil during self-cleaning can generate some by-products which are on the list. To minimize exposure to these substances, always operate this unit according to the instructions contained in this booklet and provide good ventilation.

### 1.6 Child safety

This appliance is not intended for use by persons (including children) with reduced physical, sensory or mental capabilities, or lack of experience and knowledge, unless they have been given supervision or instruction concerning use of the appliance by a person responsible for their safety.

When children become old enough to use the appliance, it is the responsibility of the parents or legal guardians to ensure that they are instructed in safe practices by qualified persons.

### WARNING

Do not allow children to use this appliance unless closely supervised by an adult.

- ▶ Children and pets should not be left alone or unattended in the area where the appliance is in use. They should never be allowed to play in its vicinity, whether or not the appliance is in use.

Do not allow anyone to climb, stand, lean, sit, or hang on any part of an appliance, especially a door, warming drawer, or storage drawer.

- ▶ This can damage the appliance, and the unit may tip over, potentially causing severe injury.

Do not let children play with the appliance.

### CAUTION

Do not store items of interest to children in cabinets above a range or on the backguard of a range. Children climbing on the range to reach items could be seriously injured. Do Not Leave Children Alone.

- ▶ Children should not be left alone or unattended in the area where the appliance is in use.
- ▶ They should never be allowed to sit or stand on any part of the appliance.
- ▶ Always check inside the oven before turning it on.



# IMPORTANT SAFETY INSTRUCTIONS

## READ AND SAVE THESE INSTRUCTIONS

### WARNING

To avoid the risk of suffocation:

- ▶ Do not allow children to play with packaging material.
- ▶ Store small parts safely as they can be a choke hazard.

## 1.7 Gas safety

### WARNING

To prevent carbon monoxide build-up, do not block appliance air vents.

### WARNING

Have the installer show you where the gas shut-off valve is located.

If a burner goes out and gas escapes, open windows and doors. Wait until gas dissipates before using the appliance.

If you smell gas, your installer has not done a proper job of checking for leaks. If the connections are not perfectly tight, you can have a small leak and, therefore, a faint smell. Finding a gas leak is not a “do-it-yourself” procedure. Some leaks can only be found with the burner control in the ON position and this must be done by a qualified service technician. Read the WARNING about gas smell.

### WARNING

Keep the igniter ports clean for proper lighting performance of the burners. It is necessary to clean these when there is a boilover or when the burner does not light even though the electronic igniters click.

For proper burner performance, keep igniters clean and dry.

### CAUTION

All igniters spark when any single burner is turned on.

- ▶ Do not touch any of the burners when the cooktop is in use.

### WARNING

To prevent flare-ups all grates must be properly positioned on the cooktop whenever the cooktop is in use. Each of the feet must be placed into the corresponding dimples in the cooktop.

- ▶ Do not use a grate if the rubber feet are missing or damaged.

### WARNING

Do not clean or touch any of the burners when an extra low burner (if equipped) is in use. When the extra low burner automatically reignites the ignitor at the burner will spark.

### WARNING

To prevent flare-ups do not use the cooktop without all burner caps and all burner grates properly positioned.

### WARNING

Use this appliance only for its intended use as described in this manual.

- ▶ NEVER use this appliance as a space heater to heat or warm the room. Doing so may result in carbon monoxide poisoning and overheating the appliance.
- ▶ Never use the appliance for storage.

### WARNING

The burning of gas cooking fuel can create small amounts of carbon monoxide, benzene, formaldehyde and soot. To minimize exposure to these substances the burners should be adjusted by a certified installer or agency to ensure proper combustion.

- ▶ Ensure proper ventilation with an open window or use a ventilation fan or hood when cooking with gas.
- ▶ Always operate the unit according to the instructions in this manual.

## 1.8 Cleaning function

Follow these safety instructions when using the cleaning function.

### WARNING

The outside of the appliance gets very hot when the cleaning function is in progress.

- ▶ Never touch the appliance door.
- ▶ Allow the appliance to cool down.
- ▶ Keep children at a safe distance.

### WARNING

Do not use a protective coating to line the oven and do not use commercial oven cleaner.

Clean only parts listed in this manual.

## 1.9 Proper installation and maintenance

### WARNING

TIP OVER HAZARD! A child or adult can tip the range over and be killed.



- ▶ Install the anti-tip device to the structure and/or the range.





# IMPORTANT SAFETY INSTRUCTIONS

## READ AND SAVE THESE INSTRUCTIONS

- ▶ Verify the anti-tip device has been properly installed and engaged.
- ▶ Engage the range to the anti-tip device. Ensure the anti-tip device is re-engaged when the range is moved.
- ▶ Re-engage the anti-tip device if the range is moved. Do not operate the range without the anti-tip device in place and engaged.
- ▶ See installation instructions for details.
- ▶ Failure to follow the instructions in this manual can result in death or serious burns to children and adults.
- ▶ Check for proper installation and use of the anti-tip bracket. Carefully tip the range forward pulling from the back to ensure that the anti-tip bracket engages the range leg and prevents tip-over. The range should not move more than 1" (2.5 cm).

### WARNING

In the event of a malfunction, it might become necessary to turn off the power supply.

- ▶ Have the installer show you the circuit breaker or fuse. Mark it for easy reference.

To avoid electrical shock hazard, before servicing the appliance, turn power off at the service panel and lock the panel to prevent the power from being switched on accidentally.

Proper Installation - Improper installation or grounding can cause electric shock.

- ▶ This appliance must be properly installed and grounded by a qualified technician.
- ▶ Connect only to properly grounded outlet.
- ▶ Refer to installation instructions for details.

User Servicing - Do not repair or replace any part of the appliance unless specifically recommended in this manual.

- ▶ All other servicing should be referred to an authorized service provider.

Light socket is live when door is open if main power supply is not turned off.

- ▶ Turn off main power supply at the service panel before changing the light bulbs.

### WARNING

Make sure the appliance and lights are cool and power to the appliance has been turned off before replacing the light bulb(s). Failure to do so could result in electrical shock or burns.

- ▶ The lenses must be in place when using the appliance.
- ▶ The lenses serve to protect the light bulb from breaking.

- ▶ The lenses are made of glass. Handle carefully to avoid breaking. Broken glass can cause an injury.

Failure to follow these instructions when removing the oven door may lead to personal injury or product damage.

- ▶ Make sure oven is cool and power to the oven has been turned off before removing the door. Failure to do so could result in electrical shock or burns.
- ▶ The oven door is heavy and parts of it are fragile. Use both hands to remove the oven door.
- ▶ The door front is glass. Handle it carefully to avoid breakage.
- ▶ Grasp only the side of the oven door. Do not grasp the handle. It may swing in your hand and cause damage or injury. Failure to grasp the oven door firmly and properly could result in personal injury or product damage.
- ▶ To avoid injury from hinge bracket snapping closed, be sure both levers are securely in place before removing the door.
- ▶ Do not force the door open or closed. The hinge could be damaged and cause damage or injury.
- ▶ Do not lay the removed door on sharp or pointed objects as this could break the glass. Lay it on a flat, smooth surface, positioned so that the door cannot fall over.

### WARNING

Grease and fat can ignite when heated.

- ▶ Keep the oven free from grease build up.

### CAUTION

In the event of an error the display flashes and beeps continuously.

- ▶ Disconnect appliance from the power supply and call an authorized service provider.

### WARNING

Malfunctions can cause injuries.

- ▶ Do not operate this appliance if it is not working properly, or if it has been damaged. Contact an authorized service provider.

## 1.10 Conversion to Liquefied Petroleum gas

### WARNING

Personal injury or death from electrical shock may occur, if the range is not installed by a qualified installer or electrician. Any additions, changes, or conversions



# IMPORTANT SAFETY INSTRUCTIONS

## READ AND SAVE THESE INSTRUCTIONS

required in order for this appliance to satisfactorily meet the application needs must be made by a qualified technician.

Your gas range model is designed to allow for LP conversion by a qualified service technician.

- ▶ Before installing the kit, be sure to follow the LP Installation Instructions carefully.

### WARNING

**This conversion kit shall be installed by a qualified service agency in accordance with the manufacturer's instructions and all applicable codes and requirements of the authority having jurisdiction. If the information in these instructions is not followed exactly, a fire, explosion or production of carbon monoxide may result causing property damage, personal injury or loss of life. The qualified service agency is responsible for the proper installation of this kit. The installation is not proper and complete until the operation of the converted appliance is checked as specified in the manufacturer's instructions supplied with the kit.**

#### 1.11 High altitude installation

This appliance has been tested for operation up to an altitude of 10,000 ft (3,048 m) elevation above sea level. If desired, for altitudes above 2,000 ft (610 m) elevation above sea level, adjustments may be made. Burners should be checked at the lowest setting, if the flame is not stable the simmer should be increased until the flame is stable. This can be done by adjusting the bypass screw in the valve. If flame performance is satisfactory, adjustment will not be required. It is required that a Certified Professional make the high altitude adjustments during installation. High altitude nozzle sets for natural gas and propane gas are available for installations at 2,000-6,500 ft (610-1,981 m) or 6,501-10,000 ft (1,982-3,048 m) if the adjustments using the bypass screw don't resolve performance issues.

#### 1.12 State of California Proposition 65 Warnings

This product may contain a chemical known to the State of California, which can cause cancer or reproductive harm. Therefore, the packaging of your product may bear the following label as required by California:

STATE OF CALIFORNIA PROPOSITION 65 WARNING:

 **WARNING**

Cancer and Reproductive Harm - [www.P65Warnings.ca.gov](http://www.P65Warnings.ca.gov)

---

## 2 Preventing material damage

### 2.1 Preventing oven cavity damage

**NOTICE:**

The presence of objects on the oven cavity bottom will cause heat to build up. The baking and roasting times will no longer be correct and the enamel will be damaged.

- ▶ Do not cover the oven cavity bottom with any sort of foil or greaseproof paper.

- ▶ Do not place accessories on the oven cavity bottom.

Do not allow aluminum foil in the oven cavity to come into contact with the door glass, it could cause permanent discoloration.

Never pour water into the oven cavity when it is still hot.

Never place cookware containing water on the oven cavity bottom.

The prolonged presence of moisture in the oven cavity leads to corrosion.

- ▶ Allow the oven cavity to dry after use.

- ▶ Do not keep moist food in the oven cavity for a long time with the door closed.

- ▶ Do not store food in the oven cavity.

Leaving the appliance to cool down with the door open will damage the front of neighboring kitchen units over time.

- ▶ Always allow the oven cavity to cool down with the door closed after cooking at high temperatures. Only leave the oven cavity to dry with the door open if a lot of moisture was produced during operation.

- ▶ Take care not to trap anything in the appliance door.

Fruit juice dripping from the baking tray leaves stains that cannot be removed.

- ▶ When baking very juicy fruit pies, do not pack too much on the baking tray.

If the seal is very dirty, the appliance door will not close properly when the appliance is in operation. This may damage the front of adjacent kitchen units.

- ▶ Keep the seal clean at all times.

- ▶ Never operate the appliance if the seal is damaged or missing.

Sitting or placing objects on the appliance door may damage it.

- ▶ Do not place or hang objects on the appliance door.

- ▶ Do not place cookware or accessories on the appliance door.

With certain models, accessories may scratch the door glass when closing the appliance door.

- ▶ Always push accessories fully into the oven cavity.

Carrying the appliance by the door handle could break it.

The door handle cannot support the weight of the appliance.

- ▶ Do not carry or hold the appliance by the door handle.

### 2.2 Preventing cooktop damage

**NOTICE:**

OPERATIONAL FAULT.

- ▶ Always turn the control knob to the **OFF** position when the appliance is not being used.

Overheating can damage the cookware.

- ▶ Do not heat empty pots or pans.

A build-up of heat may damage the appliance.

- ▶ Never cover the cooktop, for example with aluminum foil or oven protectors.

- ▶ Do not place roasters, frying pans or grill stones on more than one burner at a time.

- ▶ Only use the accessories specified.

Acidic liquids such as lemon juice or vinegar may damage the surface finish of the appliance.

- ▶ Remove spilled liquids immediately. Use caution while the burners are still hot.

Heat may cause damage to adjacent appliances or furniture. If the appliance is in operation for an extended period, heat and moisture will be generated. Additional ventilation is required.

- ▶ Open the window or switch on an extractor hood that discharges the extracted air and moisture outside the building.

---

## 3 Environmental protection and energy-saving

### 3.1 Disposal of packaging

The packaging materials are environmentally compatible and can be recycled.

- ▶ Sort the individual components by type and dispose of them separately.

### 3.2 Saving energy when using the oven

If you follow these tips, your appliance consumes less energy.

Only preheat the appliance if the recipe or the recommended settings tell you to do so.

- ✓ Not preheating the appliance can reduce the energy used.

Use dark-colored, black-coated or enameled baking pans.

- ✓ These types of baking pans absorb the heat particularly well.

Open the appliance door as little as possible during operation.

- ✓ This will maintain the temperature in the oven cavity and eliminate the need for the appliance to reheat.

When baking multiple dishes, do so in succession or at the same time.

- ✓ The oven cavity is heated after baking the first dish. This reduces the baking time for the second dish.

If the cooking time is relatively long, you can switch the appliance off 10 minutes before the cooking time ends.

- ✓ There will be enough residual heat to finish cooking the dish.

Remove any accessories that are not being used from the oven cavity.

- ✓ An extra pan without food affects the browning and cooking.

Allow frozen food to defrost before cooking.

- ✓ This will save the energy that would otherwise be required to defrost it.

### **3.3 Saving energy when using the cooktop**

If you follow these tips, your appliance consumes less energy.

Select a cookware diameter that matches the burner.  
Center the cookware on the burner.

**Tip:** Cookware manufacturers usually state the top diameter of the cookware. The diameter of the cookware base is usually smaller.

- ✓ The energy is targeted at the cookware.  
If you use cookware that is too small, energy is wasted.  
If the cookware is too large, much energy is used to heat up the cookware.

Close cookware with a fitting lid.

- ✓ Cooking without a lid consumes more energy.

Only lift the lid when necessary.

- ✓ If you lift the lid, a lot of energy can escape.

Use a glass lid.

- ✓ If you use a glass lid, you can look inside the cookware without lifting the lid.

Use cookware with a solid flat bottom.

- ✓ Curved cookware bases increase energy consumption.

Use a cookware size that matches the amount of food you want to cook.

- ✓ Cookware with little content consumes a lot of energy.

Cook with a small amount of water.

- ✓ More water requires more energy to heat it up.

Select a lower power level as soon as possible. Select a suitable power level to continue cooking.

- ✓ For ongoing cooking a lower power level is sufficient.

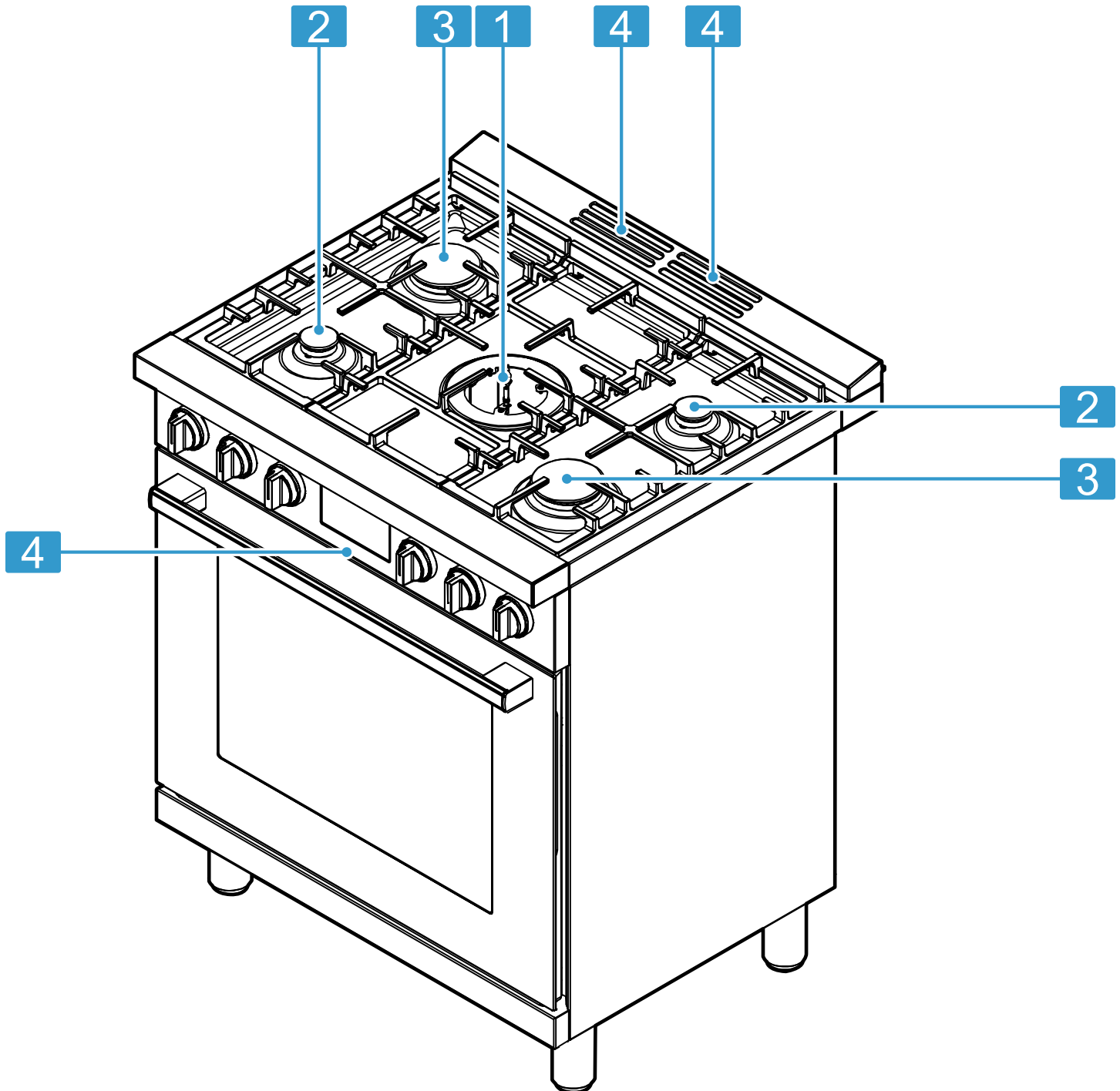
## 4 Familiarizing yourself with your appliance

This Use and Care Manual covers several models. Your model may have some but not all of the features listed.

### 4.1 Appliance

Here you can find an overview of the parts of your appliance.

#### 30" Range



No.	Designation
1	Dual-flame burner (18,000 BTU / 5.3 kW)
2	Small burner (5,000 BTU / 1.5 kW)
3	Large burner (10,000 BTU / 2.9 kW)

4	Oven vent
---	-----------

#### Oven features

##### Cooling fan

The cooling fan runs during all cooking modes.


The fan can be heard when it is running, and warm air may be felt as it is released from the oven vent. The fan may also run after the oven is off.

### Temperature indicator

The temperature indicator bars show the heating-up phases or residual heat in the oven cavity.

Heating-up indicator	The temperature indicator shows the progress of pre-heat in the oven cavity. When all bars are filled, the optimal time for placing the food in the oven has been reached. In the broiling and cleaning settings, the bars are all already filled at the start. The bars are not filled for the gentle top/bottom heating type.
Residual heat indicator	When the appliance is switched off, the temperature indicator shows the residual heat in the oven cavity. Once the temperature has dropped to approximately 140 °F (60 °C), the indicator goes out.

### Oven light

Your appliance is equipped with an oven light. You can turn the oven light on and off by pressing .

### Surfaces in the oven cavity

The back wall and side parts in the oven cavity are selfcleaning. You can tell this from the rough surface. The oven cavity floor and ceiling are enameled and have smooth surfaces.

### Burner assembly

#### Sealed burners

Your cooktop has sealed gas burners. There are no burner parts under the cooktop to clean, disassemble or adjust. Your cooktop has three different burner sizes: small, large and dual-flame.

#### WARNING

To prevent flare-ups do not use the cooktop without all burner caps and all burner grates properly positioned.

#### CAUTION

To prevent burns, do not touch burner caps or grates while hot.

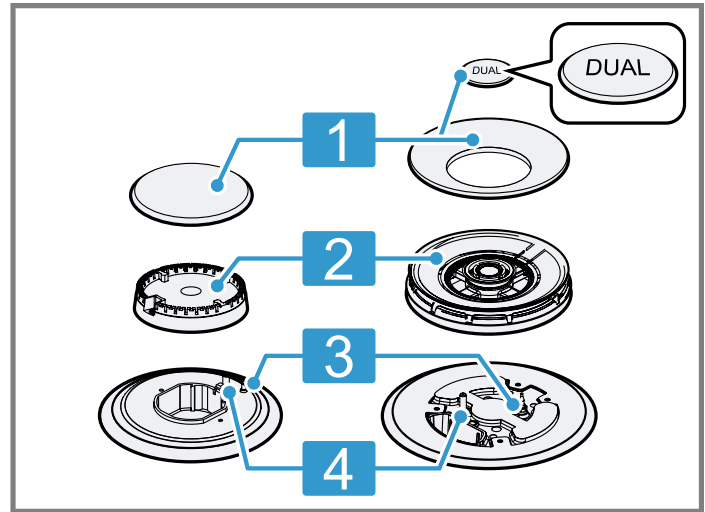
- ▶ Turn the cooktop off and allow the burners to cool.

### Notes

- The burner caps must be properly placed for the cooktop to function properly.
- If the burner cap is not properly placed, one or more of the following may occur:
  - Burner flames are too high
  - Flames shoot out of the burners
  - Stainless steel discolorations
  - Burners do not ignite
  - Burner flames light unevenly
  - Burner emits gas odor

### Burner parts

The burner caps must be properly placed for the cooktop to function properly.



- 1 Burner cap
- 2 Burner base
- 3 Thermocouple
- 4 Igniter

### Burner cap and burner base placement

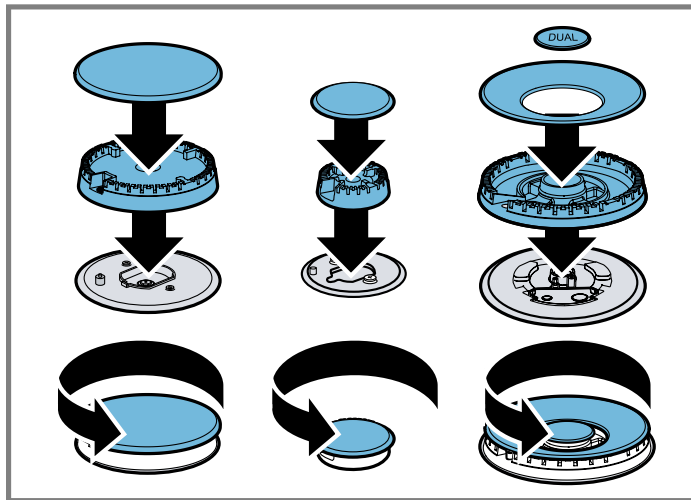
After electrical connection is complete, place each burner base on the corresponding location on the cooktop. One of the three bars on the burner base should line up with the notch and prevent the base from rotating. The small hole or cutout near the edge should also line up with the igniter. Pay special attention to avoid damaging the igniter during installation of the base. See Illustration below.

Once each base is located and resting evenly, place each burner cap on its correct burner base. See Illustration.

**Note:** Do not swap burner caps. These will affect the stability of the flame and make the burner impossible or difficult to light. The smallest burner cap marked "DUAL" is to be used exclusively on the Dual-flame burner. Do not put it on the small burner.

Place burner cap gently on top of base so that the prongs of the burner base fit snugly into the groove of the burner cap.

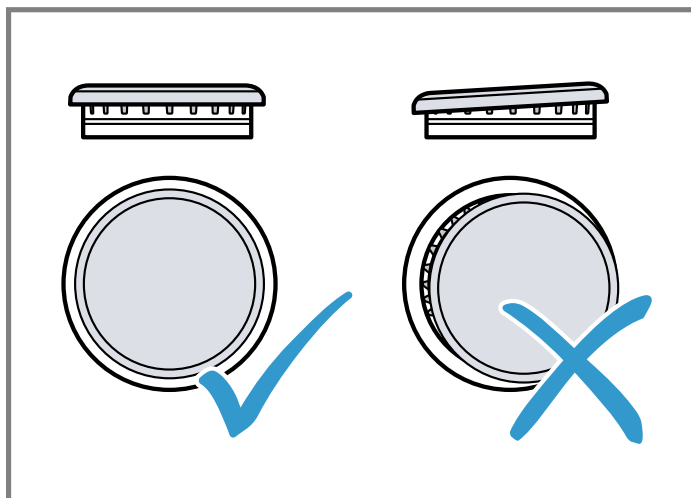
If the maintop is removed by a certified installer (for example to check electrical or gas connection) the panhead screws that were removed must be re-installed to ensure proper functionality of burners.



Burner	Burner cap dimensions
Dual-flame burner	Inner dual: 1 <sup>3</sup> / <sub>4</sub> " (45 mm) Ring: 5 <sup>15</sup> / <sub>16</sub> " (150 mm)
Small burner	2 <sup>3</sup> / <sub>16</sub> " (55 mm)
Large burner	3 <sup>15</sup> / <sub>16</sub> " (100 mm)

**Checking burner cap placement**

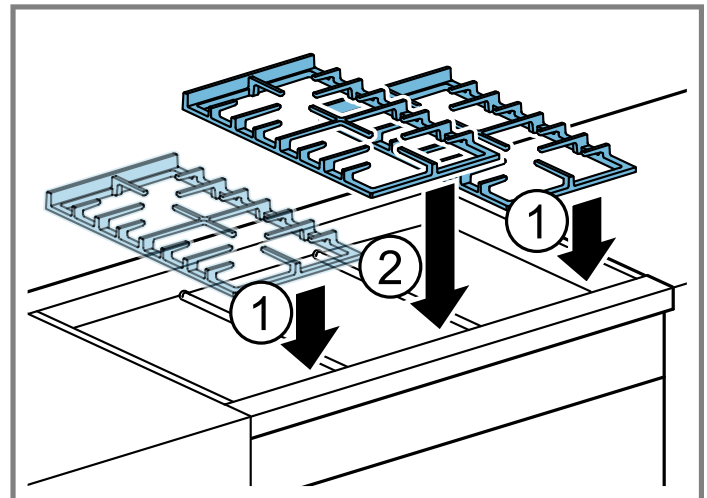
Check to make sure that there is no gap between the burner cap and burner base. See illustration for correct and incorrect placements of the burner cap. You may gently try to move the burner cap from side to side to check if it is properly placed. If properly placed, the cap will click from side to side as the prongs hit the groove ridge.



**Install grates**

First position the outer grates, followed by the center grate.

If you only have two grates, the order in which you position them is not relevant.



**Control panels**

You can use the control panel to configure all functions of your appliance and to obtain information about the operating status.

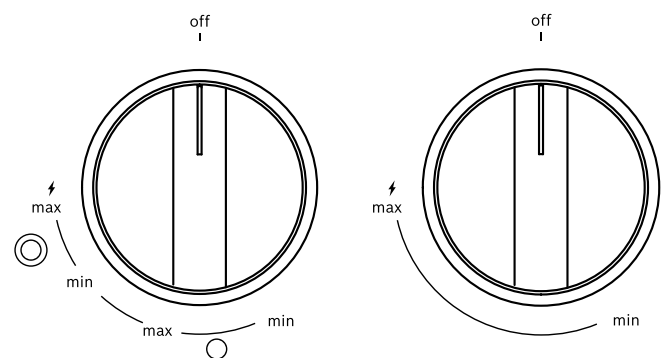
**Cooktop control panel**

The cooktop has one control knob for each burner. Push in and turn to the left to light and set the desired heat setting. Once the flame appears, keep the knob pressed in fully for 2-3 seconds before releasing and adjusting the flame.

**⚠ WARNING**

Failure to operate knobs properly may result in personal injury and damage to the appliance.

The cooktop has standard burner controls.

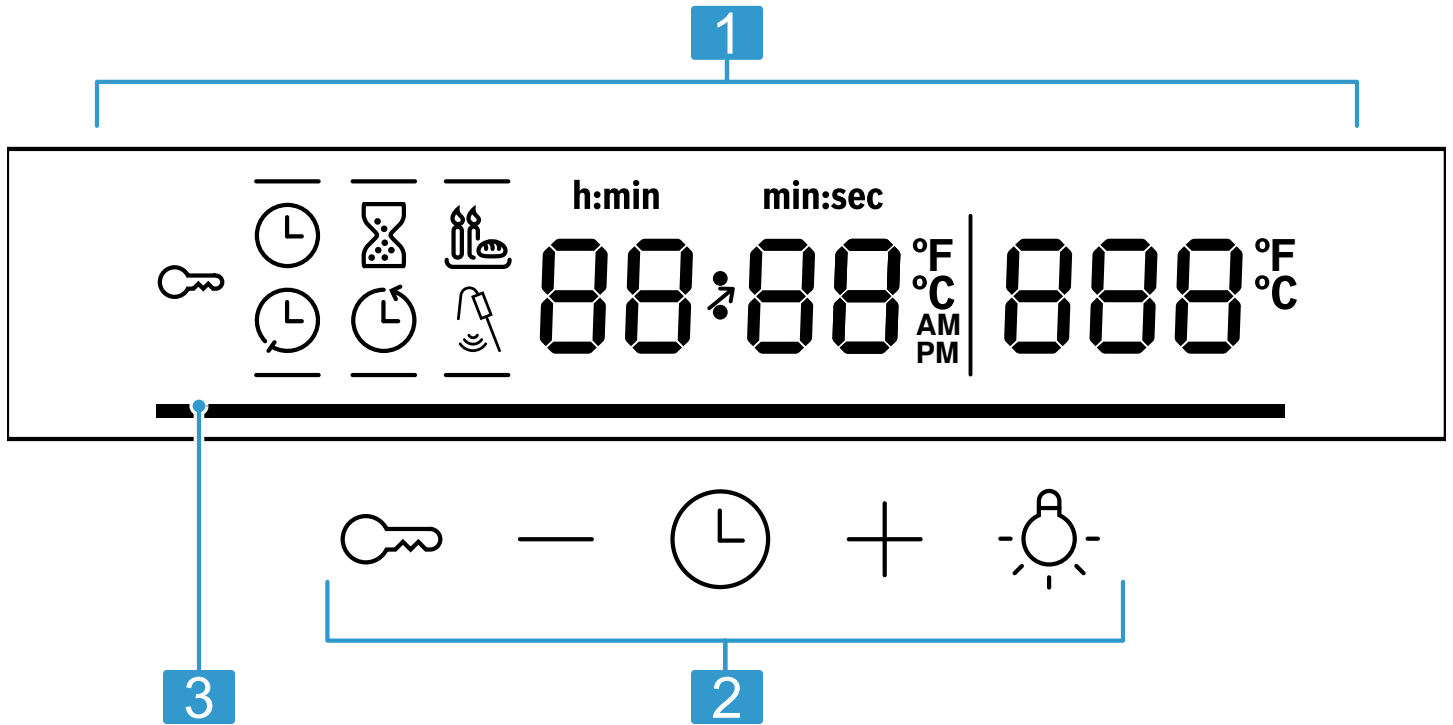


Symbol	Meaning
off	Cooking zone switched off
min	Minimum power
max	Maximum power
○	Inner flame switched on

Symbol	Meaning
⊙	Inner and outer flame switched on

Symbol	Meaning
⚡	Recommended ignition position

Oven control panel



- 1** Display
- 2** Touch keys
- 3** Temperature indicator → *Page 14*

Symbol	Meaning
🍖	Meat probe
h:min	Time in hours and minutes
min:sec	Time in minutes and seconds
AM/PM	Time

Buttons

Symbol	Meaning
🔒	Panel lock or settings
—	Minus
🕒	Time functions
+	Plus
💡	Oven light

**Note:** You only need to press lightly on the touch keys to operate them.

Display

Symbol	Meaning
🔒	Panel lock
🕒	Clock
🕒	Kitchen timer
🕒	End time
🕒	Duration
🕒	Sabbath mode

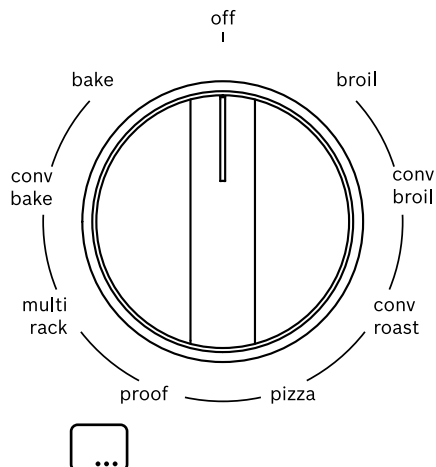
Control knobs

**⚠️ WARNING**  
Failure to operate knobs properly may result in personal injury and damage to the appliance.



## Oven

Set the required heating type using the rotary selector for the oven.



Knob position	Function
off	Oven switched off
broil	Switching on Broiling
conv broil	Switching on Convection Broil
conv roast	Switching on Convection Roast
pizza	Switching on Pizza mode
proof	Switching on Proofing
multi rack	Switching on Multi Rack mode
conv bake	Switching on Convection Bake
bake	Switching on Bake

**To operate:** Turn to the required type of heating. Turn off by turning the control knob to off.

## 5 Accessories

Only use original accessories. These are designed especially for your appliance.

The accessories supplied may differ depending on the appliance model.

Accessories	Use
Wire rack	Inserting cake pans, baking dishes, cookware, meat and frozen meals.
Meat probe	Determining the degree of cooking and the temperature in food items such as meat and poultry.

### 5.1 Other accessories

You can purchase other accessories from our Customer Service, specialist retailers or online.

You will find a comprehensive range of products for your appliance in our brochures and online:

[www.bosch-home.com](http://www.bosch-home.com)

Accessories are appliance-specific. When purchasing, always check for compatibility with your appliance model number (E-Nr).

You can find out which accessories are available for your appliance in our online shop or from our Customer Service.

### Wok ring

Use

- Only suitable for dual-flame burners. Use cookware with a rounded bottom.
- Order number: HEZ9GW23UC

### Griddle

Use

- The griddle plate allows meals that are usually cooked in a pan to be prepared with reduced fat.
- Order number: HEZ9GR41UC

### Telescopic rail

Use

- Pull wire rack out further without tipping.
- Order number: 12029918

### Side panel extension

Use

- Side cover for appliances without adjacent kitchen units. Order numbers:
  - stainless steel: HEZ9YZ04UC
  - black stainless steel: HEZ8YZ04UC

### 5.2 Fitting the telescopic rail set

Instructions on fitting the telescopic rail set are enclosed with the set.

### 5.3 Inserting racks

The wire rack can be inserted into the oven cavity at 6 different levels.

#### ⚠ CAUTION

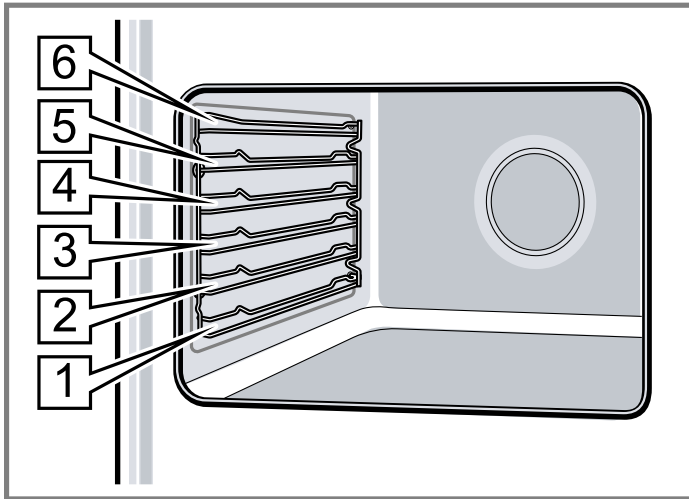
The oven racks and the oven cavity surfaces become very hot during cooking.

- Place oven racks in the desired positions before turning oven on.
- Always use oven mitts when the oven is warm.
- If a rack must be moved while the oven is hot, do not let oven mitts contact hot heating elements.
- Use caution when removing oven racks from the lowest rack position to avoid contact with the hot oven door.

#### ⚠ CAUTION

To avoid possible injury or damage to the appliance, ensure oven rack is installed exactly per installation instructions and not backwards or upside down.

Always push racks in fully so that they do not touch the door panel. Make sure that you always insert the racks into the oven cavity the right way, and not backwards or upside down.

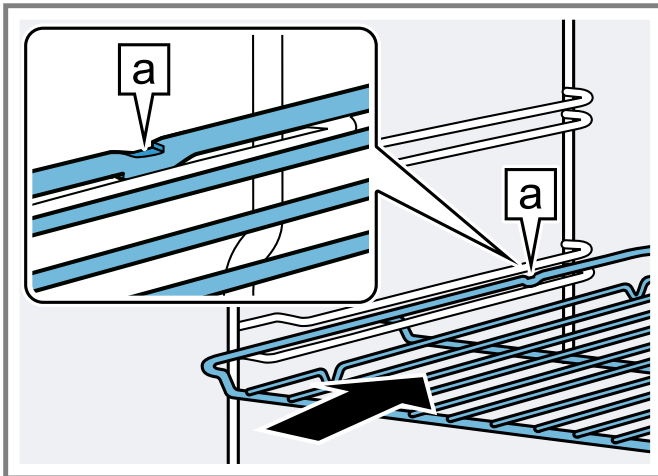


### Flat rack

The rack is designed with a stop so it will stop before coming completely out of the oven.

### Inserting the wire rack into oven

1. Grasp the rack firmly on both sides.
2. Insert the rack.



3. Tilt the rack up to allow the stop to slide onto the rack guide.
4. Bring the rack to a horizontal position and push it in the rest of the way.

The rack should be straight and level.

### Removing the flat rack from the oven

1. Grasp the rack firmly on both sides and pull it toward you.
2. When the stop is reached, tilt the rack up and pull it out fully.

## 5.4 Griddle

To cook most foods on the griddle, the surface must be pre-heated.

The burner power may require adjustment if the griddle is used for a long time.

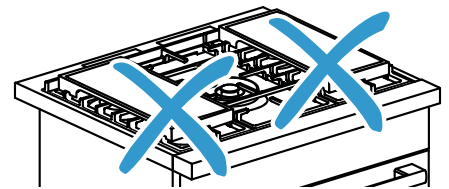
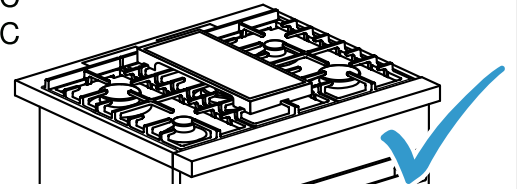
## 5.5 Installing the griddle

The griddle is customized to fit only on the grates illustrated below.

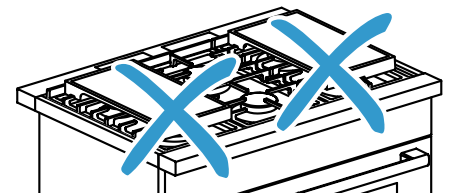
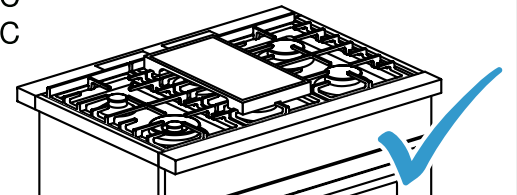
### ⚠ WARNING

Place and remove the griddle only when all grates and the griddle have cooled down and all burners are off.

HGS8055UC  
HGS8045UC  
HDS8055U  
HDS8055C  
HDS8045U  
HDS8045C



HGS8655UC  
HGS8645UC  
HDS8655U  
HDS8655C  
HDS8645U  
HDS8645C



## 6 Before using for the first time

Carry out these steps before using your appliance.

- The appliance must be properly installed by a qualified service provider before use.
- Read and understand all safety precautions → *Page 3* and information in the Use and Care Manual prior to operating.
- This Use and Care Manual covers several models. Not all features are available on all models.

## 6.1 Before using the oven for the first time

- Remove all packing materials and literature from the cooktop surface.
- Wipe with a clean, damp sponge and dry.
- There may be a slight odor during the first several uses. This is normal and will disappear.
- Optimum cooking results depend on the proper cookware being selected and used. See "Choosing Cookware - Cookware Recommendations".
- Read and understand all safety precautions and information in the Use and Care Manual prior to operating.

### Setting the time

Once the appliance is connected to a power supply, 12:00 flashes on the display. Set the time.

- Use the  $-$  and  $+$  buttons to set the time.
  - Press the  $\odot$  button.
- ✓ The time has now been set.

**Note:** Once the period allowed for setting the time on the clock has elapsed, the time will automatically be saved.

### Prepping the oven

- Remove the accessories and the rack guides from the oven cavity.
- Completely remove any leftover packaging, e.g. small pieces of polystyrene, from the oven cavity.
- Remove protection film from parts.
- Clean the outside of the appliance with a soft, damp cloth.
- Clean the oven cavity with hot soapy water.

### Pre-cleaning the oven

- Remove the accessories and the hook-in rack guides from the oven cavity.
- Completely remove any leftover packaging, e.g. small pieces of polystyrene, from the oven cavity.
- Some parts are covered with a protective film. Remove this scratch protection film.
- Clean the outside of the appliance with a soft, damp cloth.
- Clean the oven cavity with hot soapy water.

### Initial start up

In order to prevent excess smoke and odor from manufacturing oils, heat up the oven for the first time when it is empty and closed.

**Note:** Make sure that there is no leftover packaging, such as polystyrene pellets, in the oven cavity. Before heating the appliance, wipe the smooth surfaces in the oven cavity with a soft, damp cloth. Keep the kitchen ventilated while the appliance is heating.

- Turn the function selector to **bake**.
- Use  $+$  to set the maximum temperature.
- Switch the oven off after one hour.

- Once oven has cooled wipe out with hot soapy water and replace rack guides.

**Note:** When the appliance is heating up for the first time, you may hear crackling noises coming from the oven.

### Re-cleaning the oven

- Clean the oven cavity with hot soapy water.
- Reinstall the rack guides.
- If necessary, clean the door panels.

### Cleaning the accessories

- Before using the accessories, clean them thoroughly using a cloth and warm soapy water.

## 6.2 Before using the cooktop for the first time

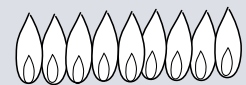
- Remove all packing materials and literature from the cooktop surface.
- Wipe with a clean, damp sponge and dry.
- There may be a slight odor during the first several uses. This is normal and will disappear.
- Optimum cooking results depend on the proper cookware being selected and used.  
→ "Cookware recommendations", Page 23
- Read and understand all safety precautions and information in the Use and Care Manual prior to operating.

### Typical flame characteristics

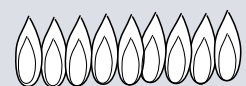
The burner flame should be blue in color and stable with no yellow tips, excessive noise or fluttering. It should burn completely around the burner cap.

#### Checking the flame characteristics:

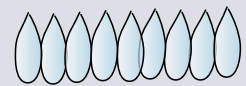
Yellow flames:  
Further adjustment is required.



Yellow tips on outer cones:  
Normal for propane gas.



Soft blue flames:  
Normal for natural gas.  
Orange flames:  
Can be normal if certain types of humidifiers are used in the home. Flames should return to blue without the humidifier running.



#### Note

- If the flame is completely or mostly yellow, verify that the regulator is set for the correct fuel. Retest after adjustment.

- Some yellow streaking is normal during the initial startup. Allow the appliance to operate for 4–5 minutes and reevaluate before making adjustments.
- Foreign particles in the gas line may cause an orange flame during initial use. This should disappear with use. Check the burner to make sure that port holes are not obstructed. If the ports are clogged.  
→ "Customer Service", Page 43
- An audible "pop" may be heard when the burner is turned off manually. The "popping" may be louder with propane gas than with natural gas. This is normal.

## 7 Cooktop operation

Here you will find out everything you need to know about operating your cooktop.

### 7.1 About the appliance

Use the cooktop for surface cooking applications such as boiling, frying, simmering, steaming and sautéing.

#### WARNING

The burning of gas cooking fuel can create small amounts of carbon monoxide, benzene, formaldehyde and soot. To minimize exposure to these substances the burners should be adjusted by a certified installer or agency to ensure proper combustion.

- Ensure proper ventilation with an open window or use a ventilation fan or hood when cooking with gas.
- Always operate the unit according to the instructions in this manual.


### 7.2 To operate

Select the appropriate control knob, push in and turn counterclockwise to the desired flame setting.

With this motion, burner sparking and gas flow will be initiated. Keep the knob pressed and once the flame appears keep the knob pressed in fully for 2-3 seconds before releasing and adjusting the flame.

Turn off by turning the control knob clockwise to off.

#### Notes

- It is normal that sparks will appear at all burners.
- The symbol  on the control knobs indicates the position recommended for igniting the burner.

### 7.3 In case of power failure

In the event of a power failure, the burners may be lit by an alternate flame source.

Hold a lit flame source next to the burner gas exit ports, turn corresponding knob to max position, and remove flame source immediately upon burner lighting.

### 7.4 Flame failure safety system

Your cooktop is equipped with a safety system that cuts off the gas flow in case the flame extinguishes by accident, (i.e. because of a strong draft or high amount of spillage), preventing an escape of unburned gas.

This system requires that the knob has to be pressed in completely for 2-3 seconds until the thermocouple is heated up by the flame and keeps the gas flowing.

### 7.5 Normal operation - electronic ignition

The cooktop uses electronic igniters to light the burners. There is no pilot light. Each burner has its own igniter. All igniters are activated when a control knob is pushed.

#### CAUTION

To avoid possible injury or damage to the appliance, ensure grates are installed exactly per installation instructions and not backwards or upside down.

The igniter should be clean and dry for proper operation.

- Avoid getting water or food on the igniter.
- If the igniter is wet or soiled, it may spark without igniting the burner, or even spark continuously when a flame is present.

**Note:** If the burner does not light within 4 seconds, turn the burner off. Check to see that the burner cap is positioned correctly → Page 14. Check that the igniter is clean and dry. Wait at least 5 minutes before igniting the burner again. If a burner still fails to ignite, see "Before Calling for Service".

### 7.6 Before first use

Before using your new griddle, wash it in hot, soapy water, rinse and dry.

### 7.7 Getting the most out of your appliance

#### Cooking suggestions for best results

- Boil water in covered pot on High using largest burner for best results. If water boils over, turn to a lower setting.
- When melting chocolate or butter, use smallest burner with a water bath for best results.
- When simmering, bring food to a boil first. Stir well to be sure all the food is boiling, then cover and reduce the flame to the desired setting to simmer.
- There should be steam and slight quivering of the liquid's surface while simmering.
- Use a lid to keep a more constant cooking temperature and heat food faster.
- Check the food occasionally to see if the control knob should be turned to a lower or higher setting.
- It is normal to stir food occasionally.
- Center the pan over the burner before turning the burner on.
- Use proper cookware.

- Refer to the settings recommendations in the following chart for suggested settings.

## 7.8 Settings recommendations

Here you can find recommendations on cooking and an overview of various dishes with suitable heat levels.

Uses	Heat setting
Boiling (i.e. water, stock, etc.)	High

Uses	Heat setting
Pan frying, sautéing, browning meat, deep frying	Medium High
Shallow frying, eggs, pancakes, bacon	Medium
Steaming, braising	Medium Low
Melting chocolate, melting butter, simmering sauces, soups and stews (i.e. tomato sauce, alfredo sauce, beef stew, etc.)	Low

## 7.9 Standard burner cooking table

The table lists the optimal heating setting for various dishes.

The temperature and cooking time depend on the amount, composition and temperature of the food. Setting ranges are indicated for this reason. Try using the lower values at first. During cooking heat may be increased.

### Beverages

Food	Burner	Heat Level Start Cooking (boil, melt, brown, fry, etc.)	Heat Level Continue Cooking (simmer, braise, poach, hold, etc.)
Mulled Cider	Dual Flame Large	High	Medium Low
Hot Chocolate	Dual Flame Large	Medium High	Low
Tea	Small	High	Low

### Breads

Food	Burner	Heat Level Start Cooking (boil, melt, brown, fry, etc.)	Heat Level Continue Cooking (simmer, braise, poach, hold, etc.)
French toast	Dual Flame Large	Medium	Medium-Medium Low
Pancakes	Dual Flame Large	Medium	Medium-Medium Low
Grilled Sandwiches	Dual Flame Large	Medium	Medium-Medium Low

### Cereals

Food	Burner	Heat Level Start Cooking (boil, melt, brown, fry, etc.)	Heat Level Continue Cooking (simmer, braise, poach, hold, etc.)
Beans	Dual Flame Large	High	Medium-Medium Low
Cornmeal/Polenta	Large	High	Medium-Medium Low
Grits	Large	High	Medium-Medium Low
Oatmeal	Large	High	Medium-Medium Low

**Deep Frying**

<b>Food</b>	<b>Burner</b>	<b>Heat Level Start Cooking (boil, melt, brown. fry, etc.)</b>	<b>Heat Level Continue Cooking (simmer, braise, poach, hold, etc.)</b>
French Fries	Dual Flame	Medium High	Medium High
Donuts	Dual Flame	Medium High	Medium High

**Desserts**

<b>Food</b>	<b>Burner</b>	<b>Heat Level Start Cooking (boil, melt, brown. fry, etc.)</b>	<b>Heat Level Continue Cooking (simmer, braise, poach, hold, etc.)</b>
Pie Filling, Fruit Compote	Small	Medium Low	Medium-Medium Low
Pudding	Small	Medium Low	Medium-Medium Low
Poached Fruit	Dual Flame Large	High-Medium High	Medium-Medium Low

**Eggs**

<b>Food</b>	<b>Burner</b>	<b>Heat Level Start Cooking (boil, melt, brown. fry, etc.)</b>	<b>Heat Level Continue Cooking (simmer, braise, poach, hold, etc.)</b>
Fried	Dual Flame Large	Medium High	Medium Low
Scrambled	Dual Flame Large	Medium High	Medium Low-Low

**Meat, Fish, Poultry**

<b>Food</b>	<b>Burner</b>	<b>Heat Level Start Cooking (boil, melt, brown. fry, etc.)</b>	<b>Heat Level Continue Cooking (simmer, braise, poach, hold, etc.)</b>
Bacon, Sausage Patties	Dual Flame	Medium High	Medium-Medium Low
Braising: Swiss Steak, Pot Roast, Stew Meat	Dual Flame	Medium High	Low
Shallow Frying: Chicken, Fish	Dual Flame	Medium	Medium-Medium Low
Pan Frying: Lamb Chops, Thin Steaks, Hamburgers, Link Sausage	Dual Flame	Medium High	Medium
Simmering: Stewed Chicken, Corned Beef, Poaching Fish	Dual Flame	High	Medium Low

**Pasta**

<b>Food</b>	<b>Burner</b>	<b>Heat Level Start Cooking (boil, melt, brown. fry, etc.)</b>	<b>Heat Level Continue Cooking (simmer, braise, poach, hold, etc.)</b>
All types	Dual Flame Large	High	High

**Rice**

<b>Food</b>	<b>Burner</b>	<b>Heat Level Start Cooking (boil, melt, brown. fry, etc.)</b>	<b>Heat Level Continue Cooking (simmer, braise, poach, hold, etc.)</b>
White Rice	Large	High	Low

Food	Burner	Heat Level Start Cooking (boil, melt, brown. fry, etc.)	Heat Level Continue Cooking (simmer, braise, poach, hold, etc.)
Brown Rice	Large	High	Low

#### Sauces

Food	Burner	Heat Level Start Cooking (boil, melt, brown. fry, etc.)	Heat Level Continue Cooking (simmer, braise, poach, hold, etc.)
Tomato Sauce: Marinara, Bolognese	Dual Flame	High	Low
Cream Sauce: Alfredo, Queso	Dual Flame	Medium	Low
Butter Sauce: Bearnaise, Hollandaise	Large Small	Medium	Low

#### Soups and Stocks

Food	Burner	Heat Level Start Cooking (boil, melt, brown. fry, etc.)	Heat Level Continue Cooking (simmer, braise, poach, hold, etc.)
Cream Soup	Dual Flame Large	Medium	Low
Broth Soup	Dual Flame Large	High	Low
Stock: Beef, Chicken, Vegetable	Dual Flame Large	High	Low

#### Vegetables

Food	Burner	Heat Level Start Cooking (boil, melt, brown. fry, etc.)	Heat Level Continue Cooking (simmer, braise, poach, hold, etc.)
Fresh	Large Small	High	Medium
Frozen	Large Small	High	Medium

## 7.10 Notes regarding cookware

The following information and tips have been provided to help you save energy and avoid damaging your cookware.

### Suitable cookware

Burner	Recommended pan base diameter
Small burner	5" - 8" (127 - 203 mm)
Large burner	7" - 9½" (178 - 240 mm)
Dual-flame burner	7" - 11" (178 - 280 mm)

Pans with a diameter of less than 4.7" (120 mm) or more than 11.0" (280 mm) should not be used. If you do use larger pans, these should not protrude beyond the edges of the appliance.

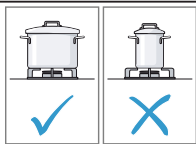
### Cookware recommendations

**Note:** When using certain pots or pans, a slight and temporary deformation of the steel cooking surface may occur. This is normal and does not affect the functionality of the appliance.

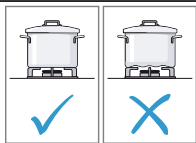
#### Proper Cookware

- Aluminum or copper bottomed pans conduct heat evenly.
- Steel pans, if not combined with other metals, may cook unevenly.
- Cast-iron cookware absorbs heat slowly and cooks more evenly at low-to-medium settings.
- Flat heavy bottom pans provide even heat and stability.
- DO NOT USE pans that are thin, warped, dented or ridged as they heat unevenly.

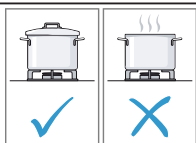
## Information for use



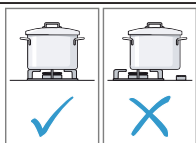
Use cooking vessels of appropriate size for the particular burner. Don't use small cooking vessels on large burners. The flame shouldn't come in contact with the sides of the cooking vessel.



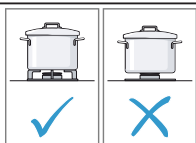
Don't use any deformed cooking vessels that don't stand solidly on the cooktop. The vessels could tip over. Only use cooking vessels with flat and thick bottoms.



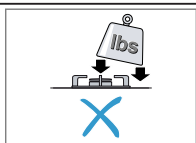
Don't cook without a lid or if the lid is not on all the way. The majority of the heat is lost.



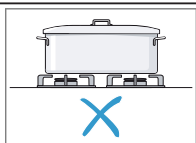
Place the cooking vessel in the center of the burner, otherwise it may tip over. Don't place large pots on the burners near the stove controls. They could overheat and become damaged.



Place the pots on the pan supports, never directly onto the burners. Prior to use, ensure that the pan supports and lids of the gas burners are positioned correctly.



Handle vessels carefully on the cooktop. Don't bang the cooktop and don't place any heavy weight on it.



Never heat a cooking vessel (e.g. roasting tin, pan, cooking stone) with multiple burners, except for the griddle plate. The resulting accumulation of heat causes damage to the appliance.

## 8 Oven operation

Here you will find out everything you need to know about operating your oven.

### 8.1 Switching on the oven

**Note:** Always keep the appliance door closed when it is in operation.

1. Turn the function selector to the desired operating mode.
  - ✓ A default value for the temperature or grill setting is displayed.
2. Use **+** or **-** to set the desired temperature or grill setting.
  - ✓ The oven switches on.

### Grill settings

You must set a grill setting for the "broil" and "conv boil" types of heating.

You can choose from the following grill settings:

---	Minimum
---	Medium
---	Maximum

### Switching off the oven

- ▶ Turn the function selector to "off".

## 8.2 Time-setting options

### Setting the electronic clock

You can alter the clock if you need to (e.g. for daylight savings time). To do this, the oven must be switched off.

1. Press the **⌚** button twice.
  - ✓ **⌚** lights up in the display.
2. Change the time using the **+** and **-** buttons.
  - ✓ The time is saved automatically.

### Setting the kitchen timer

The kitchen timer is a countdown timer that has no affect on oven heating. The duration of the kitchen timer can be set from 30 seconds to 23 hours and 59 minutes.

1. Press the **⌚** button.
  - ✓ **⌚** lights up.
2. Use the **+** and **-** buttons to set the desired time for the timer.
  - ✓ An audible signal sounds once the time has elapsed.

### Notes

- – To change the remaining time, press the **⌚** button. Then use the **+** and **-** buttons to change the remaining time.
- To cancel the kitchen timer, press the **⌚** button. Then set the remaining time to zero using the **+** and **-** buttons.
- The kitchen timer will be deleted if the meat probe is inserted.

### Switching off the signal tone

- ▶ Press any button to switch off the audible signal.

**Note:** You can change the duration of the audible signal in the basic settings.

### Setting the cooking time

The cooking timer automatically ends a heating mode after a set period of time.

1. Set the required type of heating and temperature.
  - ✓ The oven starts.
2. Press the **⌚** button twice.
  - ✓ **⌚** lights up in the display.
3. Use the **+** and **-** buttons to set the operating time duration.



The operating time duration can be set from 1 minute to 13 hours. The cooking time can be set in one-minute increments up to one hour, and then in five-minute increments.

- ✓ The cooking time counts down in the display.

#### Notes

- Press the  $\odot$  button twice and use the  $+$  and  $-$  buttons to change the remaining time.
- The cooking time will be deleted if the meat probe is inserted.

#### The cooking time has elapsed

An audible signal sounds. The appliance stops heating up.

1. To switch the signal off, press any button or open the appliance door.

After a short time, the audible signal stops automatically.

2. Turn the function selector to the zero setting.

#### Setting the end time

With this feature you can program your oven to finish a heating mode at a predetermined time.

1. Set the required type of heating and temperature.

- ✓ The oven starts.

2. Press the  $\odot$  button twice.

- ✓  $\odot$  lights up in the display.

3. Use the  $+$  and  $-$  buttons to set the operating time duration.

The operating time duration can be set from 1 minute to 13 hours. The cooking time can be set in one-minute increments up to one hour, and then in five-minute increments.

- ✓ The cooking time has been set.

4. Press the  $\odot$  button.

When the button is first pressed, a value is suggested on the display. This suggested value is calculated using the current time on the clock and the cooking time.

- ✓  $\odot$  lights up in the display.

5. Use the  $+$  and  $-$  buttons to set the required end time.

- ✓ The display shows the end time. The appliance switches to standby mode until programmed starting time.

**Note:** The end time will be deleted if the meat probe is inserted.

#### The cooking time has elapsed

An audible signal sounds. The appliance stops heating up.

1. To switch the signal off, press any button or open the appliance door.

After a short time, the audible signal stops automatically.

2. Turn the function selector to the zero setting.

## 8.3 Core temperature meat probe

The meat probe measures the internal temperature of the food. You can set a core temperature and the heating mode turns off automatically as soon as the set temperature is reached.

### Setting the core temperature

1. Insert the probe into the meat as described below.
2. Connect the probe to the socket in the upper left of the cooking compartment.
3. Close the oven door.
- ✓  $\text{Ⓜ}$  appears in the display.
4. Turn the function selector to “bake”, “conv bake”, “multi rack” or “conv roast”.
5. Set the cooking temperature with  $+$  or  $-$ .
6. Press  $\text{Ⓜ}$  to switch to the meat probe target temperature.
7. Set the meat probe target temperature with  $+$  or  $-$  (70 °F (20 °C) - 195 °F (90 °C)).

**Note:** If a duration time is set and the meat probe is inserted after, the cooking ends when the meat probe reaches the desired temperature.

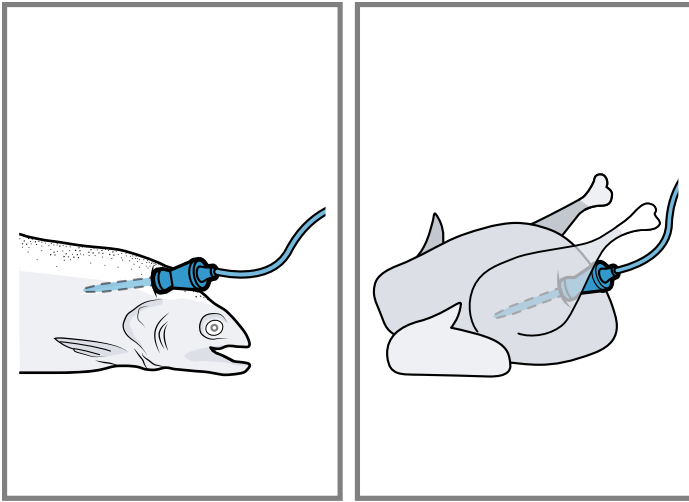
#### Tip

- The range for the probe temperature is between 70 °F (20 °C) and 195 °F (90 °C).
- Do not store the probe in the oven.
- Always use the handle of the probe for inserting and removing.
- Always use a potholder to remove the probe since it becomes hot.
- Since meat continues to cook after being removed from the oven, set the internal (probe) temperature 5 - 10 degrees below the desired final internal temperature (exception poultry).

### Insert the meat probe in the food to be cooked

Insert the meat probe in the food to be cooked before you place it in the oven interior.

- Insert the metal tip at the thickest point in the food you are cooking.
- Make sure that the end of the tip is approximately in the center.
- It must not be placed in the fat and must not touch any cookware or bones.
- If there are several pieces, insert the meat probe in the middle of the thickest piece.
- Insert the meat probe completely, if possible. In the case of poultry, make sure that the tip of the meat probe is not in the center cavity, but in the meat between the belly and upper leg.



## 8.4 Sabbath mode

Sabbath mode enables those of particular faiths to use their ovens on the Sabbath. In Sabbath mode, the oven continues to operate for a maximum of 74 hours.

### Setting the Sabbath mode

1. Make sure the Sabbath mode is activated in the basic settings.  
→ "Basic settings", Page 28
  2. Turn the function selector to "bake".
  3. Press four times.  
✓ appears in the display during Sabbath mode.
  4. Set the temperature — or + (100 °F (40 °C) – 450 °F (230 °C)).
  5. Press .
  6. Set duration with — or +.
  7. Press .
- ✓ Sabbath mode is set. appears in the display, all other display symbols are off. The oven light is off.

**Tip:** Turn the function selector to "off" to cancel Sabbath mode.

## 8.5 Panel lock

The oven has a panel lock to prevent the oven from being switched on accidentally.

When the panel lock is activated, the panel is locked and the oven function selector is deactivated.

**Note:** If the cooktop is being used, it will not be affected by the panel lock on the oven.

### Activating the panel lock

The appliance must be switched off.

- ▶ Press and hold the button for approx. four seconds.
- ✓ The symbol appears on the display. The panel lock has now been activated.

### Deactivating the panel lock

- ▶ Press and hold the button for approx. four seconds.
- ✓ The symbol on the display goes out. The panel lock has now been deactivated.

## 8.6 Getting the most out of your appliance

### Aluminum foil

#### WARNING

Do not use aluminum foil or protective liners to line any part of the appliance, especially the oven bottom. Installing these liners may result in risk of electric shock or fire.

### Preheating the oven

- Place oven racks in the required position before heating the oven.
- Always preheat the oven.
- Allow the oven to preheat while preparing recipe ingredients or food items.
- Increasing the oven temperature will require a longer preheat time.
- The heating-up indicator displays the rising temperature in the oven cavity.  
→ "Temperature indicator", Page 14
- When the oven has preheated a beep indicator will sound for 2 seconds.
- Once the oven is preheated, place the food in the oven as quickly as possible to minimize the loss of heat and reduction of oven temperature.

### Baking pans and dishes

- Glass baking dishes absorb heat. Some cookware manufacturers recommend reducing the temperature by 25 °F (14 °C) when using this type of dish. Follow the manufacturers' recommendations.
- Cookie sheets should have at least 1" clearance on all sides.
- Use pans that provide the desired level of browning. For tender, light, golden brown crusts, use light, anodized or shiny metal bakeware.
- Dark, rough or dull pans (nonstick or anodized) will absorb heat and result in a browner, crisper crust. Some manufacturers recommend reducing the temperature by 25 °F (14 °C) when using this type of pan. Follow the manufacturers' recommendations.
- Insulated cookie sheets or bakeware may increase the length of cooking time.
- Do not place broil pans or any other heavy objects down on the open oven door.
- Do not store empty pans or pizza stones in the oven during cooking as this changes the cooking performance. Store pans outside of the oven.

### Opening the oven door

Open and close the appliance door only by holding the door handle.

To avoid risk of burns, do not touch any other parts of the door. Open the door as briefly as possible to avoid temperature reduction. Use the interior oven light to view the food through the oven window rather than opening the door frequently.

### High altitude baking

When cooking at high altitudes, recipes and cooking times will vary.

For accurate information, write the Extension Service, Colorado State University, Fort Collins, Colorado 80521. There may be a cost for the guides. Specify which high altitude food preparation guide you prefer: general information, cakes, cookies, breads, etc.

### Condensation

It is normal for certain amount of moisture to evaporate from the food during any cooking process. The amount depends on the moisture content of the food. The moisture may condense on any surface cooler than the inside of the oven, such as the control panel.

### Bake

Bake is cooking with dry, heated air. Both the upper and lower elements cycle to maintain the oven temperature. Bake mode can be used to prepare a variety of food items, from pastries to casseroles. Refer to recipe or package directions for oven temperature and baking time.

#### Tip

- Preheat the oven if the recipe recommends it.
- Baking time will vary with the size, shape and finish of the bakeware. Dark metal pans or nonstick coatings will cook faster with darker results. Insulated bakeware will lengthen the cooking time for most foods.
- For best results, bake food on a single rack with at least 1–1½" space between pans or dishes and oven walls.
- Eliminate heat loss from the oven by using the window to periodically check food for doneness instead of opening the door.

### Convection bake

Convection Bake is similar to Bake. Heat comes from the upper and lower heating elements. The main difference in convection baking is that the heat is circulated throughout the appliance by the convection fan. Convection Bake mode is well suited for cakes, bar cookies and breads to take advantage of the bottom heat, yielding a better crust on baked items.

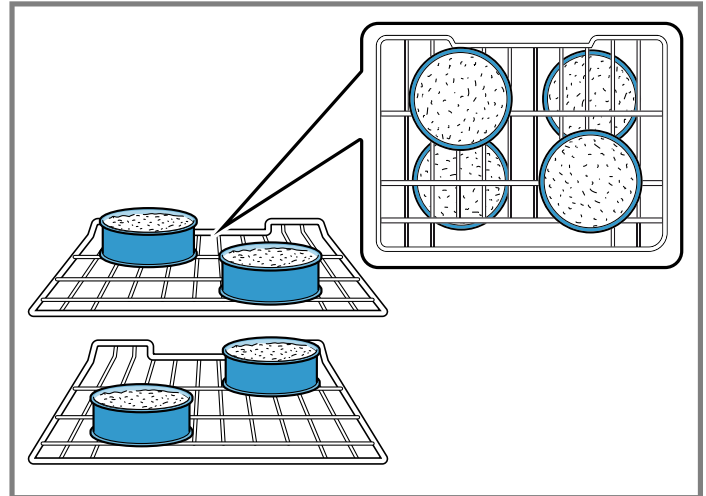
The benefits of Convection Bake include:

- Slight decrease in cooking time.
- Higher volume (yeast items rise higher).

#### Tip

- Place food in shallow, uncovered pans, such as cookie sheets without sides.
- If baking more than one pan on a rack, allow at least 1–1½" of air space around the pan.

- For cakes, use rack positions 2 and 5. Stagger pans so that one is not directly above the other (see following graphic).



### Multi-Rack

Convection Multi-Rack cooks with heat from a third element behind the back wall of the oven.

The heat is circulated throughout the oven by the convection fan. Convection Multi-Rack is well suited for cooking individual serving-sized foods such as cookies and biscuits. It is also good for cooking on multiple racks (2 or 3) at the same time. Baking cookies is possible on 5 racks simultaneously. In this case, the baking time increases slightly.

The benefits of Convection Multi-Rack include:

- Even browning.
- Time savings as a result of using multiple racks at one time.

#### Tip

- Place food in low-sided, uncovered pans such as cookie sheets without sides.
- If baking more than one pan on a rack, allow at least 1" to 1½" of air space around the pan. Stagger pans so that one is not directly above the other.

### Proof

In Proof mode, the appliance uses the lower elements to maintain a low temperature to proof bread or other yeast doughs.

- No preheating is necessary.
- Proofing is the rising of yeast dough.
- In Proof mode, the temperature is 85 °F (30 °C) to 125 °F (50 °C).
- Loosely cover the bowl or pan and use any rack that accommodates the size of the container.
- Keep the door closed and use the oven light to check the rising of the dough.

### Pizza

In Pizza mode, heat from the upper and lower elements is circulated throughout the oven by the convection fan. Use Pizza mode for fresh or frozen pizza.

### Tip

- When baking a frozen pizza: For a crispy crust, place directly on the rack. For a softer crust, use a pizza pan.
- When proofing pizza dough, coat dough with olive oil and cover it in a bowl tightly with plastic wrap to prevent crust formation.
- Sprinkle cornmeal on the pizza pan to prevent sticking.
- If using a pizza paddle, sprinkle the paddle liberally with cornmeal for ease in transferring the dough to the pan.
- If par baking handmade pizza dough, prick the dough with a fork before baking.
- If using a pizza pan, choose a dark, perforated pan for a more crisp crust and a non-perforated pan for a softer crust.
- Preheat baking stones following manufacturer's recommendations while the oven is preheating.
- Bake homemade pizzas on rack position 2 in the center of the rack.
- Follow manufacturer's directions for frozen pizza.

### Convection roast

Convection Roast uses heat from the lower elements as well as heat circulated by the convection fan.

Convection Roast mode is well suited for preparing tender cuts of meat and poultry. It is also suitable for roasting vegetables.

The benefits of Convection Roast mode include:

- As much as 25 % faster cooking than non-convection modes.
- Rich, golden browning.

### Tip

- Preheating the oven is not necessary.
- Use the same temperature as indicated in the recipe.
- Check doneness early, since roasting time may decrease.
- Do not cover meat or use cooking bags.
- Use a broil pan with a rack and grid or a shallow, uncovered pan with a rack for roasting.
- Use a meat thermometer to determine the internal temperature of the meat.
- If the meat is browned to your liking, but is not yet done, foil can be placed over the meat to prevent overbrowning.
- Let meat stand covered with foil for 10–15 minutes after removing it from the oven.

### Convection broil

Convection Broil is similar to Broil.

### Basic settings

You can configure your appliance to meet your needs.

### List of basic settings

Depending on the features of your appliance, not all basic settings will be available.

It combines intense heat from the upper element with heat circulated by a convection fan. Convection Broil mode is well suited for cooking thick, tender cuts of meat, poultry and fish. Convection Broil is not recommended for browning breads, casseroles and other foods. Always use Convection Broil with the door closed. In addition to the benefits of standard broiling, convection broiling is faster.

### Tip

- Preheat oven for 3–4 minutes. Do not preheat for more than 5 minutes.
- Steaks and chops should be at least 1–1½" thick.
- Use the broil pan and grid or a deep pan with a metal rack for broiling.
- Do not cover the broil grid with foil. It is designed to drain fats and oils away from the cooking surface to prevent smoking and spattering.
- Turn meats (other than fish) once during the recommended cooking time. Fish does not need to be turned.
- Never use heat-proof glass (Pyrex®); it cannot tolerate the high temperature.

### Broil

Broil uses intense heat radiated from the upper element. Broil mode is best suited for cooking thin, tender cuts of meat (1" or less), poultry and fish. It can also be used to brown breads and casseroles. Always broil with the door closed.

The benefits of broiling include:

- Fast and efficient cooking.
- Cooking without the addition of fats or liquids.

### Tip

- Preheat oven for 3–4 minutes. Do not preheat for more than 5 minutes.
- Steaks and chops should be at least ¾" thick.
- Brush fish and poultry with butter or oil to prevent sticking.
- Use broiler pan with grid when broiling.
- Do not cover the broil grid with foil. It is designed to drain fats and oils away from the cooking surface to prevent smoking and spattering.
- Turn meats (other than fish) once during the recommended cooking time. Fish does not need to be turned.
- When browning the top of casseroles, use only metal or glass ceramic dishes.
- Never use heat-proof glass; it cannot tolerate the high temperature.

Display	Function	Options
<i>SOUND</i>	Signal duration upon completion of a cooking time or timer duration	<i>10 SEC</i> = approx. 10 seconds <i>30 SEC</i> = approx. 30 seconds <sup>1</sup> <i>120 SEC</i> = approx. 2 minutes
<i>TIME OUT</i>	Waiting time until a setting is applied	<i>3 SEC</i> = approx. 3 seconds <sup>1</sup> <i>6 SEC</i> = approx. 6 seconds <i>10 SEC</i> = approx. 10 seconds
<i>TONE</i>	Button tone that sounds when a button is touched	<i>NO</i> = off <i>YES</i> = on <sup>1</sup>
<i>DISPLAY</i>	Brightness of the display illumination	<i>1</i> = dim <i>2</i> = medium <sup>1</sup> <i>3</i> = bright
<i>CLOCK</i>	Displays the clock time	<i>NO</i> = hide the clock <i>12 HR ES</i> = display the 12-hour clock <sup>1</sup> <i>24 HR ES</i> = display the 24-hour clock
<i>LIGHT</i>	Interior lighting on when appliance in operation	<i>OFF</i> = no <i>ON</i> = yes <sup>1</sup>
<i>COOL FAN</i>	Cooling fan run-on time	<i>284 °F / 140 °C</i> = At over 284 °F / 140 °C <sup>1</sup> <i>230 °F / 110 °C</i> = At over 230 °F / 110 °C <i>176 °F / 80 °C</i> = At over 176 °F / 80 °C <i>140 °F / 60 °C</i> = At over 140 °F / 60 °C
<i>FACTORY</i>	Reset all values to factory settings	<i>NO</i> = no <sup>1</sup> <i>YES</i> = yes
<i>DEMO</i>	Activate demo mode. Demo mode is used for demonstration purposes – the oven does not actually heat in demo mode. Demo mode can only be activated within 5 minutes of connecting the appliance to the mains power supply.	<i>OFF</i> = no <sup>1</sup> <i>ON</i> = yes
<i>TEMP ind</i>	Set the temperature unit.	<i>FAHRENH</i> = Fahrenheit (°F) <sup>1</sup> <i>CELSIUS</i> = Celsius (°C)
<i>SABBATH</i>	Sabbath mode available	<i>OFF</i> = no <i>ON</i> = yes <sup>1</sup>

<sup>1</sup> Factory setting (may vary according to model)

### Changing the basic settings

The function selector must be set to the "Off" position.

1. Press and hold the  $\ominus$  button for approx. 4 seconds. The first basic setting appears on the display, e.g., *SOUND*.
2. Press the  $\ominus$  button again to change the selected basic setting.
3. Use the  $-$  or  $+$  button to change the basic setting.
4. Press the  $\ominus$  button again to save the basic setting.
5. Use the  $+$  button to navigate to the next basic setting.
6. Use the  $-$  or  $+$  button to continue going through all of the basic settings as described above and use the  $\ominus$  button to select and change the settings if necessary.

7. When you have finished, press and hold the  $\ominus$  button again for approx. 4 seconds to confirm the settings. This applies all the basic settings.

✓ This applies all the basic settings.

#### Note

- You can change the basic settings again at any time. Demo mode can only be activated within 5 minutes of connecting the appliance to the mains power supply.
- Your changes to the basic settings will be retained even after a power failure.

## 9 Cleaning and maintenance

To keep your appliance working efficiently for a long time, it is important to clean and maintain it carefully.

### 9.1 Cleaning and maintenance-cooktop

The entire cooktop can be safely cleaned by wiping with a soapy sponge, then rinsing and drying. If stubborn soil remains, follow the recommended cleaning methods below.

Cleaning recommendations:

- Always keep the appliance area clear and free from combustible materials, gasoline, and other flammable vapors and liquids.
- Always use the mildest cleaner that will do the job. Use clean, soft cloths, sponges or paper towels.
- Rub stainless steel finishes in the direction of the grain. Wipe area dry to avoid water marks.
- Before cleaning, be certain the burners are turned off and the grates and burners are cool.

- Do not clean removable cooktop parts in any self cleaning oven or dishwasher.
- Do not obstruct air flow around cooktop burners, range backguard and door area.
- After cleaning, place all parts in their proper positions before using cooktop.
- For proper burner performance, keep igniters clean and dry.
- Keep the igniter ports clean for proper lighting performance of the burners. It is necessary to clean these when there is a boilover or when the burner does not light even though the electronic igniters click.
- Do not use flammable cleansers such as lighter fluid.
- Do not use chlorine based cleaners.
- Always test cleaners on a small inconspicuous area first.

#### CAUTION

All igniters spark when any single burner is turned on.

- ▶ Do not touch any of the burners when the cooktop is in use.

### Cleaning guidelines

The cleaners recommended below and on the following page indicate a type and do not constitute an endorsement of a particular brand. Use all products according to package directions.

Cooktop part / material	Suggested cleaners	Recommendations
Burner base / aluminum alloy	<ul style="list-style-type: none"> <li>■ Detergent and hot water; rinse and dry thoroughly.</li> <li>■ Stiff nylon bristle tooth brush to clean port openings.</li> <li>■ Abrasive cleansers: Brillo®<sup>1</sup> or S.O.S.®<sup>1</sup> pads. Rinse and dry.</li> </ul>	<ul style="list-style-type: none"> <li>■ Do not scratch or gouge the port openings.</li> <li>■ Clean ports with a wire or straightened paper clip.</li> <li>■ Do not use a toothpick that may break off.</li> <li>■ Do not soak burner bases.</li> </ul>
Burner cap / porcelain enamel	<ul style="list-style-type: none"> <li>■ Detergent and hot water; rinse and dry thoroughly.</li> <li>■ Nonabrasive Cleansers: Omit ammonia, Fantastic®<sup>1</sup>, Formula 409®<sup>1</sup>.</li> <li>■ Mild Abrasive Cleansers: Bon Ami®<sup>1</sup>, Ajax®<sup>1</sup>, Comet®<sup>1</sup>.</li> <li>■ Liquid cleaners: Bar Keeper's Friend®<sup>1</sup>, Soft Scrub®<sup>1</sup>.</li> <li>■ Bar Keeper's Friend Soft Cleanser Liquid ®<sup>1</sup>.</li> <li>■ Reassemble, make sure that the cap is seated on the base.</li> </ul>	<ul style="list-style-type: none"> <li>■ Acidic and sugar-laden spills deteriorate the porcelain enamel.</li> <li>■ Remove soil immediately after unit has cooled enough to touch.</li> <li>■ Do not use wet sponge or towel on hot porcelain.</li> <li>■ Do not soak burner caps.</li> <li>■ Always apply minimal pressure with abrasive cleaners.</li> <li>■ Dry thoroughly after cleaning.</li> </ul>
Control knobs and bezels	<ul style="list-style-type: none"> <li>■ Detergent and hot water; rinse and dry thoroughly.</li> <li>■ To remove knobs, pull outward.</li> </ul>	<ul style="list-style-type: none"> <li>■ Do not soak knobs.</li> <li>■ Do not use abrasive scrubbers or cleansers, such as Bon Ami®<sup>1</sup>, Ajax®<sup>1</sup>, or Comet®<sup>1</sup>. They may permanently damage the finish or remove graphics.</li> </ul>

<sup>1</sup> These marks are registered trademarks of their respective owners. All other trademarks are trademarks of BSH Home Appliances Corporation or its affiliated companies.

Cooktop part / material	Suggested cleaners	Recommendations
Exterior finish / stainless steel	<ul style="list-style-type: none"> <li>■ Nonabrasive Cleaners: Hot water and detergent, Fantastic®<sup>1</sup>, Formula 409®<sup>1</sup>. Rinse and dry immediately.</li> <li>■ Bosch Stainless Steel Conditioner (Order number: 00576696)</li> <li>■ Cleaner Polish: Stainless Steel Magic®<sup>1</sup> to protect the finish from staining and pitting; enhances appearance.</li> <li>■ Hard water spots: Household white vinegar.</li> <li>■ Mild Abrasive Cleaners: Bon Ami®<sup>1</sup>.</li> <li>■ Heat discoloration: Bar Keepers Friend®<sup>1</sup></li> </ul>	<ul style="list-style-type: none"> <li>■ Do not use steel wool pads. They will scratch the surface.</li> <li>■ Stainless steel resists most food stains and pit marks providing the surface is kept clean and protected.</li> <li>■ Never allow food stains or salt to remain on stainless steel for any length of time.</li> <li>■ Rub lightly in the direction of the grain.</li> <li>■ Chlorine or chlorine compounds in some cleaners are corrosive to stainless steel. Check ingredients on label before using.</li> </ul>
Grates and grate bridge / porcelain enamel on cast iron	<ul style="list-style-type: none"> <li>■ Nonabrasive cleaners: Hot water and detergent, Fantastic®, Formula 409®<sup>1</sup>. Rinse and dry immediately.</li> <li>■ Mild abrasive cleaners: Bon Ami®<sup>1</sup> and Soft Scrub®<sup>1</sup>.</li> <li>■ Abrasive cleaners for stubborn stains: soap-filled steel wool pad.</li> <li>■ You may also clean the burner grates in the dishwasher. Remove any burnt-on food prior to placing the burner grates in the dishwasher. Place them on the lowest rack of dishwasher and use the dishwasher manufacturer's recommended detergent.</li> </ul>	<ul style="list-style-type: none"> <li>■ The grates are heavy; use care when lifting. Place on a protected surface for cleaning.</li> <li>■ Blisters/ crazing/ chips are common due to the extreme temperatures on grate fingers and rapid temperature changes.</li> <li>■ Acidic and sugar-laden spills deteriorate the enamel. Remove soil immediately after unit has cooled enough to touch.</li> <li>■ Abrasive cleaners, used too vigorously or too often can eventually mar the enamel.</li> <li>■ Do not clean in a self-cleaning oven.</li> </ul>
Igniters / ceramic	<ul style="list-style-type: none"> <li>■ Carefully wipe with a cotton swab dampened with water or Formula 409®<sup>1</sup>.</li> <li>■ Gently scrape soil off with a toothpick.</li> </ul>	<ul style="list-style-type: none"> <li>■ Avoid excess water on the igniter. A damp igniter will prevent burner from lighting.</li> <li>■ Remove any lint that may remain after cleaning.</li> </ul>

<sup>1</sup> These marks are registered trademarks of their respective owners. All other trademarks are trademarks of BSH Home Appliances Corporation or its affiliated companies.

### Burnt-on dirt

For hard-to-remove, burnt-on dirt, you can order a cleaning gel from our online shop, from your specialist retailer or our Customer Service (item number 00311859). It is suitable for pan supports and the stainless steel recess. If necessary, let the dirt soak overnight. Follow the instructions on the cleaning agent.

#### **NOTICE:**

#### **DAMAGE TO THE SURFACE**

- ▶ Do not use the cleaning gel on the burner parts.

## 9.2 Cleaning and maintenance - oven

To avoid electrical shock hazard, before servicing the appliance, switch power off at the service panel and lock the panel to prevent the power from being switched on accidentally.

### Cleaning the oven

#### **Avoid These Cleaners**

Do not use commercial oven cleaners such as Easy Off®. They may damage the oven finish or parts. Chlorine or chlorine compounds in some cleansers are corrosive to stainless steel. Check ingredients on label. Never use scouring pads or abrasive cleaners.

#### **Oven cleaning guide**

The cleaners recommended below and on the following page indicate a type and do not constitute an endorsement of a particular brand. Use all products according to package directions.

Part	Recommendations
Flat rack	Clean with soapy water. Rinse thoroughly and dry, or gently rub with cleansing powder or soapfilled pads as directed.
Telescopic rail	Clean with soapy water. Rinse thoroughly and dry, or gently rub with cleansing powder or soapfilled pads as directed. Avoid getting cleansing powder in the telescopic slides. Re-lubrication may become necessary. Use only high-temperature food-grade lubricants to re-lubricate slides.
Door seal	The seal should be soft and elastic. To keep the door seal clean, use a non-abrasive sponge and wash with lukewarm water.
Glass	Clean with soapy water or glass cleaner. Apply Fantastik® <sup>1</sup> or Formula 409® <sup>1</sup> to a clean sponge or paper towel and wipe clean. Avoid using powder cleaning agents, steel wool pads and oven cleaners.
Painted surfaces	Clean with soapy water or apply Fantastik® <sup>1</sup> or Formula 409® <sup>1</sup> to a clean sponge or paper towel and wipe clean. Avoid using powder cleaning agents, steel wool pads and oven cleaners.
Porcelain surfaces	Immediately wipe up acid spills like fruit juice, milk and tomatoes with a dry cloth when surface is cool enough to touch. Do not use a moistened sponge/cloth on hot porcelain. When cool, clean with soapy water or apply Bon-Ami® <sup>1</sup> or Soft Scrub® <sup>1</sup> to a damp sponge. Rinse and dry. For stubborn stains, use soap-filled pads. It is normal for porcelain to show fine lines with age due to exposure to heat and food soil.
Stainless steel surfaces (HGS8.55UC, HDS8.55.)	Never allow food stains or salt to remain on stainless steel for any length of time. Always wipe or rub in the direction of the grain. Clean with a soapy sponge, then rinse and dry, or wipe with Fantastik® <sup>1</sup> or Formula 409® <sup>1</sup> sprayed onto a paper towel. Protect and polish with Stainless Steel Magic® <sup>1</sup> and a soft cloth. Protect and condition with the Bosch Stainless Steel Conditioner (order no. 00576696) and a soft cloth. Do not apply to logos and labeling. Remove water spots with

<sup>1</sup> These marks are registered trademarks of their respective owners. All other trademarks are trademarks of BSH Home Appliances Corporation or its affiliated companies.

Part	Recommendations
	a cloth dampened with white vinegar. Use Bar Keeper´s Friend® <sup>1</sup> to remove heat discoloration. Chlorine or chlorine compounds in some cleansers are corrosive to stainless steel. Check the ingredients on the label.
Black stainless surfaces (HGS8.45UC, HDS8.45.)	For black stainless steel and antifingerprint surfaces, use a soft, dry towel. For stubborn dirt, use warm water diluted with a nonabrasive, mild cleansing soap. Never use stainless steel polish.
Plastic & controls	When cool, clean with soapy water, rinse and dry.
Probe (HDS8..5.)	Wipe with soapy water. Do not submerge. Do not wash in the dishwasher.
Printed areas (words & numbers)	Do not use abrasive cleaners or petroleum based solvents.

<sup>1</sup> These marks are registered trademarks of their respective owners. All other trademarks are trademarks of BSH Home Appliances Corporation or its affiliated companies.

### Cleaning self-cleaning surfaces

#### CAUTION

Do not use oven cleaner on the self-cleaning surfaces. These will damage the surfaces.

- ▶ If oven cleaner does get onto these surfaces, dab it off immediately using water and a sponge cloth.
- ▶ Do not rub the surface and do not use abrasive cleaning aids.

1. Use a microfiber cloth with soapy water to clean the upper and lower part of the self-cleaning surfaces.
2. Select Multi-Rack, and set the temperature to 550 °F (290 °C).
3. Switch off the appliance after one hour.
4. **Note:** The self-cleaning surface on the back panel must remain in the oven cavity.  
If the side, self-cleaning surfaces are particularly dirty, remove these from the oven cavity.  
→ "How to remove the rack guides and self-cleaning surfaces", Page 33
5. Wash the self-cleaning surfaces with hot soapy water.
6. Rinse and dry the self-cleaning surfaces.
7. Insert the self-cleaning surfaces into the oven cavity.
8. Select Multi-Rack, and set the temperature to 350 °F (175 °C).
9. Switch off the appliance after one hour.



## Maintenance

### How to remove the rack guides and self-cleaning surfaces

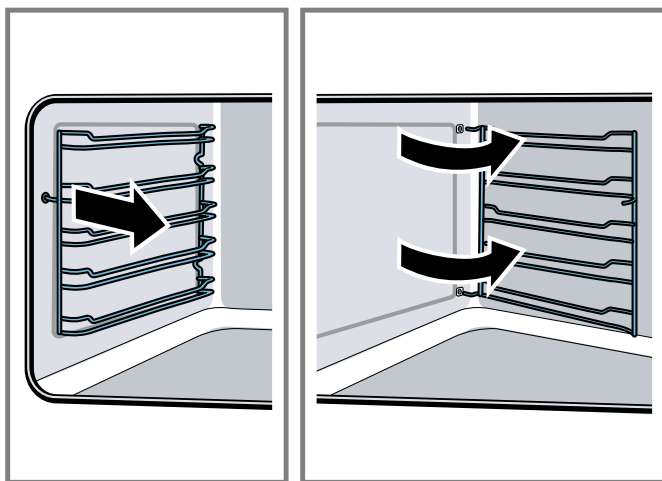
The rack guides are fixed to the side panels of the oven cavity at three points. The self-cleaning surfaces are fixed with the rack guides.

#### **⚠ WARNING**

The rack guides and self-cleaning surfaces get very hot.

- ▶ Never touch the rack guides and self-cleaning surfaces when they are hot.
- ▶ Always allow the appliance to cool down.
- ▶ Keep children at a safe distance.

1. When the oven is cool, grip the front of the rack guide and pull it round to the middle of the oven cavity.
- ✓ The front hook of the rack guide will come out of the hole.
2. Swing the rack guide round further and pull it out of the rear holes in the side panel.
3. Remove the rack guides from the oven cavity.



4. Replace the self-cleaning surfaces and rack guides in the reverse order in which they were removed.

### How to remove the oven door glass

For easier cleaning the internal glass panes of the door can be removed.

#### **⚠ WARNING**

The glass panels are big, heavy and parts are fragile. Failure to grasp the glass firmly and properly could result in personal injury or product damage.

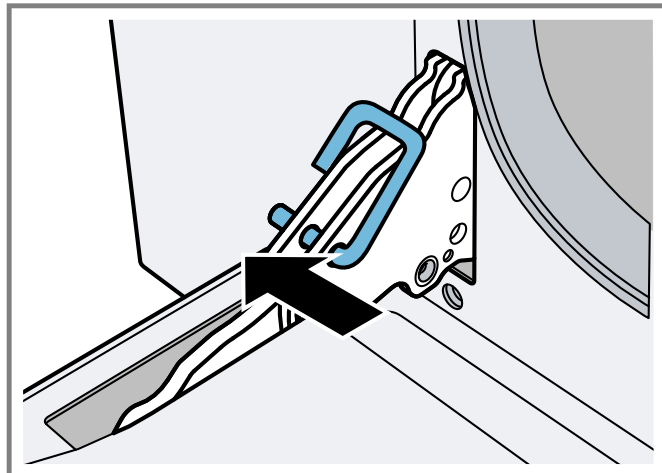
- ▶ Use both hands to remove the glass.
- ▶ Handle carefully to avoid breakage.
- ▶ Do not place the glass on sharp or pointed objects as this could break the glass.
- ▶ Lay on a flat, smooth surface, positioned so that the glass cannot fall over.

#### **⚠ CAUTION**

Wear gloves to avoid cutting fingers on broken glass.

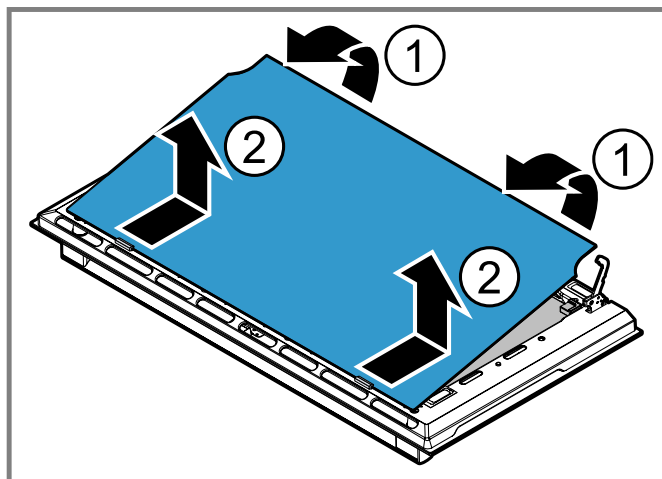
1. Open the oven door fully.

2. Lock the two hinges on the left and right using the locking pin. The locking pins must be fully inserted into the holes in the hinges.

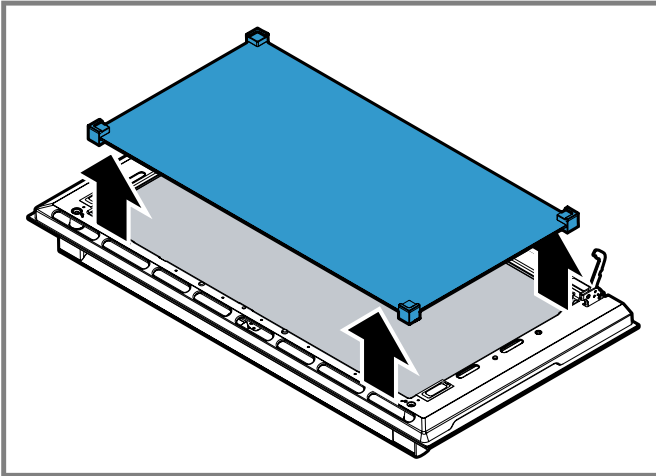


3. **⚠ CAUTION** Move the glass pane slowly to avoid damage to the glass and the oven cavity frame.

Remove the internal glass pane by pulling the rear part gently upwards, following the movement indicated by the arrows ①. This way, the first 2 pins attached to the rear of the glass detach from their housings in the oven door. Then, push the glass pane slightly towards the oven cavity and pull it upwards ②. This way, the other 2 pins attached to the front of the glass detach from their housings in the oven door.



- Remove the intermediate glass pane by lifting it upwards.



- Clean the external glass pane and the panes removed previously.

Use absorbent kitchen roll. In case of stubborn dirt, wash with a damp sponge and neutral detergent.

- Reinsert the middle panel.

Make sure that the panel is seated correctly. All rubber mounts must lay flat against the outer panel.

- ✓ If the Low-E symbol can be read, the middle panel is inserted correctly.

- CAUTION** Do not use with intermediate glass pane not correctly re-fitted.

Reposition the internal glass pane. First insert the front part into the two clips and the 2 pins in the front into their housings. Then insert the 2 pins in the rear into their housings in the oven door by applying slight pressure.

- Remove the locking pins and close the oven door.

### How to remove the oven door

#### **WARNING**

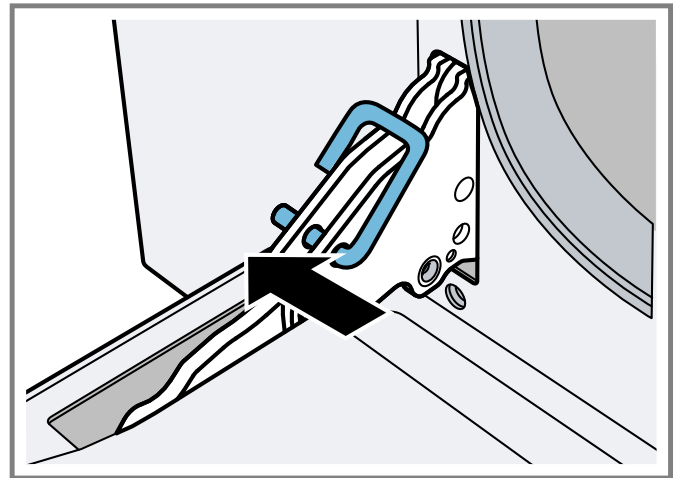
Failure to follow these instructions when removing the oven door may lead to personal injury or product damage.

- ▶ Make sure oven is cool and power to the oven has been turned off before removing the door. Failure to do so could result in electrical shock or burns.
- ▶ The oven door is heavy and parts of it are fragile. Use both hands to remove the oven door.
- ▶ The door front is glass. Handle it carefully to avoid breakage.
- ▶ Grasp only the side of the oven door. Do not grasp the handle. It may swing in your hand and cause damage or injury. Failure to grasp the oven door firmly and properly could result in personal injury or product damage.
- ▶ To avoid injury from hinge bracket snapping closed, be sure both levers are securely in place before removing the door.
- ▶ Do not force the door open or closed. The hinge could be damaged and cause damage or injury.

- ▶ Do not lay the removed door on sharp or pointed objects as this could break the glass. Lay it on a flat, smooth surface, positioned so that the door cannot fall over.

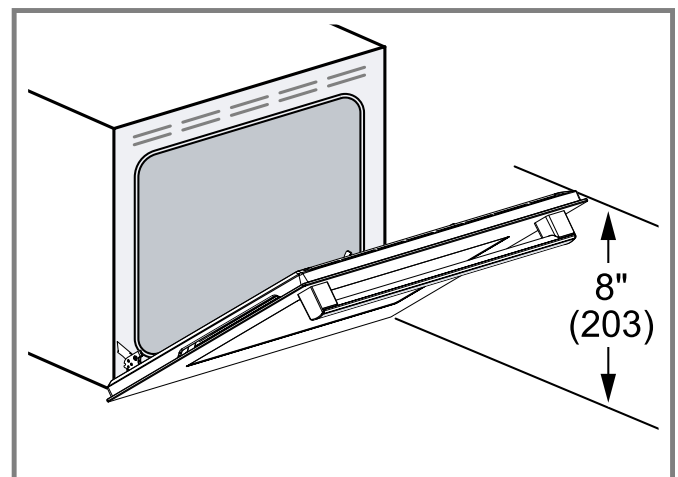
**Note:** To avoid injury or damage, make sure that you read the above WARNING before attempting to remove the oven door.

- Open the oven door to its fully open position.
- Lock the two hinges on the left and right using the locking pin. The locking pins must be fully inserted into the holes in the hinges.



- CAUTION** Closing the door by 8" (203 mm) takes the pressure off the spring. If this is not done, the door can still be removed but the latch will now slam shut and may pinch or cut your hand.

Close the oven door until it catches on the hinge stop levers, locking the hinges at the correct angle for door removal. The door can be removed when it is pulled up from the open position by about 8 inches (203 mm). This takes the tension off the spring-loaded hinges so that the door can be easily lifted out.



- The door is heavy. Use both hands to firmly grip it by the sides. Do not grip the door by the handle. Keeping the angle of the door the same, lift the door straight up

approximately 3/4" (19 mm) to unhook the hinges from the slots. Pull the door out towards you until the hinges are clear of the oven housing.

5. Place the door in a convenient and stable location for cleaning.
6. Refit the door in the reverse order in which it was removed.

**Note:** Do not throw away the locking pins. Keep them in a safe place. They will be needed anytime the door is removed from the appliance.

### Replacing an oven light

#### **⚠ WARNING**

WHEN REPLACING AN OVEN LIGHT:

- ▶ Make sure the appliance and lights are cool and that the power to the appliance has been turned off before replacing the light bulb(s). Failure to do so may result in electrical shock or burns.
- ▶ Wear gloves.
- ▶ The lenses must be in place when using the appliance.
- ▶ The lenses serve to protect the light bulb from breaking.
- ▶ The lenses are made of glass. Handle carefully to avoid breaking. Broken glass may cause an injury.
- ▶ The light socket is live when the door is open.

Bulb specifications:

- Voltage: 120 V
- Power: 40 W
- Fitting: G9
- Temperature resistance: 575 °F (300 °C)

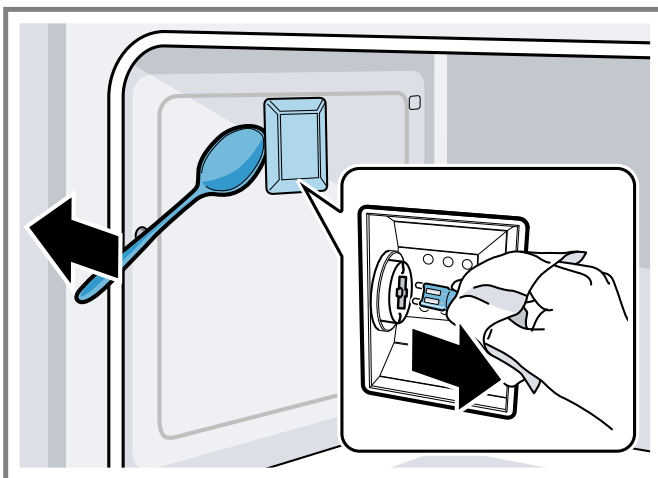
#### **To change the bulb**

1. Allow the cooking compartment to cool down.
2. Open the appliance door.
3. Place a cloth in the oven cavity to prevent damage.
4. Remove the racks and rack guides.
5. Remove the glass cover.

To do this, open the glass cover at the front with your hand. Should you experience difficulties removing the glass cover, use a spoon to help.

6. Remove the oven light bulb.

7. Replace the oven light bulb with a bulb of the same type.
8. Replace the glass cover for the oven light bulb.
9. Replace rack guides and racks.
10. Remove the cloth.
11. Switch the circuit breaker back on.
12. Check that the oven lighting is working again.



## 10 Cooking charts

The charts can be used as a guide. Follow the package or recipe directions.

### 10.1 Baked goods/entrees

The charts can be used as a guide. Follow package or recipe directions.

#### Cakes

Food	Recommended cooking mode	Oven temperature in °F (°C)	Preheat oven	Number of racks	Rack position	Time in min.	Pan size and type
Angel food	bake	350 (175)	Yes	Single	2, 3	45-55	10" tube
Angel food	conv bake	325 (160)	Yes	Single	2, 3	45-55	10" tube
Bundt® <sup>1</sup>	bake	350 (175)	Yes	Single	2, 3	55-65	12-cup Bundt® <sup>1</sup>
Bundt® <sup>1</sup>	conv bake	325 (160)	Yes	Single	2, 3	55-65	12-cup Bundt® <sup>1</sup>
Cupcakes	bake	375 (190)	Yes	Single	2, 3	15-20	12-cup muffin pan
Cupcakes	conv bake	350 (175)	Yes	Single	2, 3	15-20	12-cup muffin pan
Cupcakes	multi rack	350 (175)	Yes	Multiple	2 & 4	15-20	12-cup muffin pan
Round layers	bake	350 (175)	Yes	Single	2, 3	25-35	8" or 9" round
4 Round layers	multi rack	325 (160)	Yes	Multiple	2 & 4	25-35	8" or 9" round
Sheet cake	bake	350 (175)	Yes	Single	2, 3	30-35	13" x 9" x 2"
Apple Pie	bake	375 (190)	Yes	Single	2, 3	50-55	9" pie dish

<sup>1</sup> These marks are registered trademarks of their respective owners. All other trademarks are trademarks of BSH Home Appliances Corporation or its affiliated companies.

#### Cookies

Food	Recommended cooking mode	Oven temperature in °F (°C)	Preheat oven	Number of racks	Rack position	Time in min.	Pan size and type
Brownies	bake	350 (175)	Yes	Single	2, 3	30-45	8" or 9" square
Chocolate chips	bake	350 (175)	Yes	Single	2, 3	9-15	Cookie sheet
Chocolate chips	multi rack	350 (175)	Yes	Multiple	2 & 4	9-15	Cookie sheet
Cookie bars	conv bake	350 (175)	Yes	Single	2, 3	20-35	8" or 9" square
Sugar cookies	bake	375 (190)	Yes	Single	3	8-12	Cookie sheet
Sugar cookies	multi rack	350 (175)	Yes	Multiple	2 & 4	8-12	Cookie sheet

**Entrées**

Food	Recommended cooking mode	Oven temperature in °F (°C)	Preheat oven	Number of racks	Rack position	Time in min.	Pan size and type
Casseroles	bake	recipe temp.	Yes	Single	2, 3	recipe time	Casserole dish
Quiche	bake	375 (190)	Yes	Single	2, 3	40-55	Quiche dish
Soufflé	bake	350 (175)	Yes	Single	2, 3	35-50	Soufflé dish
Vegetables	conv roast	recipe temp.	No	Single	2, 3	recipe time	Casserole dish

**Pastries**

Food	Recommended cooking mode	Oven temperature in °F (°C)	Preheat oven	Number of racks	Rack position	Time in min.	Pan size and type
Cream puffs	multi rack	350 (175)	Yes	Single	2, 3	30-40	Cookie sheet
Cream puffs	multi rack	350 (175)	Yes	Multiple	2 & 4	35-45	Cookie sheet
Puff pastry	conv bake multi rack	375 (190)	Yes	Single	2, 3	15-25	Cookie sheet

**Pies**

Food	Recommended cooking mode	Oven temperature in °F (°C)	Preheat oven	Number of racks	Rack position	Time in min.	Pan size and type
1 Crust shell	bake	450 (230)	Yes	Single	2, 3	10-20	9" pie pan
1 Crust shell	conv bake	425 (220)	Yes	Single	2, 3	10-20	9" pie pan
2 Crust, fruit	bake	375 (190)	Yes	Single	2, 3	45-60	9" pie pan
2 Crust, fruit	conv bake	350 (175)	Yes	Single	2, 3	45-60	9" pie pan
Frozen	bake	400 (205)	Yes	Single	2, 3	package time	Package directions
Pecan	bake	350 (175)	Yes	Single	2, 3	45-60	9" pie pan
Pumpkin	bake	350 (175)	Yes	Single	2, 3	40-60	9" pie pan

**Pizza**

Food	Recommended cooking mode	Oven temperature in °F (°C)	Preheat oven	Number of racks	Rack position	Time in min.	Pan size and type
Baking stone	bake pizza	500 (260)	Yes	Single	2	recipe time	Baking stone
Fresh	pizza	425 (220)	Yes	Single	1, 2	10-20	Baking stone, Pizza pan
Thick crust, frozen	pizza	on package	Yes	Single	on package	recipe time	Package directions

Food	Recommended cooking mode	Oven temperature in °F (°C)	Preheat oven	Number of racks	Rack position	Time in min.	Pan size and type
Thin crust, frozen	pizza	on package	Yes	Single	on package	recipe time	Package directions

### Quick breads

Food	Recommended cooking mode	Oven temperature in °F (°C)	Preheat oven	Number of racks	Rack position	Time in min.	Pan size and type
Biscuits	bake	350 (175)	Yes	Single	3	15-20	Cookie sheet
Biscuits	multi rack	325 (160)	Yes	Multiple	2 & 4	15-20	Cookie sheet
Loaf	bake	375 (190)	Yes	Single	2, 3	50-60	8" x 4" loaf pan
Muffins	bake	375 (190)	Yes	Single	2, 3	18-30	12-cup muffin pan
Muffins	conv bake	350 (175)	Yes	Single	2, 3	18-30	12-cup muffin pan
Muffins	multi rack	350 (175)	Yes	Multiple	2 & 4	20-35	12-cup muffin pan

### Yeast breads

Food	Recommended cooking mode	Oven temperature in °F (°C)	Preheat oven	Number of racks	Rack position	Time in min.	Pan size and type
Dinner rolls	bake	350 (175)	Yes	Single	2, 3	15-30	Cookie sheet
Dinner rolls	multi rack	325 (160)	Yes	Multiple	2 & 4	20-35	Cookie sheet
Loaf	conv bake multi rack	400 (205)	Yes	Single	2, 3	25-40	9" x 5" loaf pan
Sweet rolls	conv bake multi rack	350 (175)	Yes	Single	2, 3	20-30	Cookie sheet
Focaccia bread	bake	450 (230)	Yes	Single	2	10-20	Cookie sheet

### Frozen food

Food	Recommended cooking mode	Oven temperature in °F (°C)	Preheat oven	Number of racks	Rack position	Time in min.	Pan size and type
Lasagne	bake	400 (205)	Yes	Single	1	package time	Package directions

## 10.2 Meats

The charts can be used as a guide. Follow package or recipe directions. Roasting times are approximate and may vary depending on the shape of the meat.

**Note:** Internal food temperatures are USDA recommended temperatures as measured by a digital cooking thermometer.

**Beef**

<b>Food</b>	<b>Recommended cooking mode</b>	<b>Oven temperature in °F (°C)</b>	<b>Rack position</b>	<b>Doneness, internal temperature in °F (°C)</b>	<b>Time in min.</b>	<b>Food covered</b>	<b>Stand time in min.</b>
Hamburgers, 0.3 lbs each	broil	High	5	Medium, 160 (71)	Side 1: 8; Side 2: 7	No	none
Rib eye, boneless, 3-3.5 lbs	conv roast	325 (160) <sup>1</sup>	2, 3	Medium-rare, 145 (63)	27-31 min/ lb	No	10-15
Rib eye, boneless, 3-3.5 lbs	conv roast	325 (160) <sup>1</sup>	2, 3	Medium, 160 (71)	30-38 min/ lb	No	10-15
Rump, eye, sirloin, boneless, 3-4 lbs	conv roast	325 (160)	2, 3	Medium-rare, 145 (63)	18-33 min/ lb	No	10-15
Steak, 1" thick	broil	High	5	Medium-rare, 145 (63)	Side 1: 5-8; Side 2: 4-6	No	none
Tenderloin, 3-4 lbs	conv roast	425 (220)	2, 3	Medium-rare, 145 (63)	15-24 min/ lb	No	10-15

<sup>1</sup> Preheat the appliance**Lamb**

<b>Food</b>	<b>Recommended cooking mode</b>	<b>Oven temperature in °F (°C)</b>	<b>Rack position</b>	<b>Doneness, internal temperature in °F (°C)</b>	<b>Time in min.</b>	<b>Food covered</b>	<b>Stand time in min.</b>
Leg, boneless, 2-4.5 lbs	conv roast	325 (160) <sup>1</sup>	2, 3	Medium-rare, 145 (63)	25-30 min/ lb	No	10-15
Leg, boneless, 2-4.5 lbs	conv roast	325 (160) <sup>1</sup>	2, 3	Medium, 160 (71)	30-35 min/ lb	No	10-15
Chops, 1" thick	broil	High <sup>1</sup>	5	Medium-rare, 145 (63)	Side 1: 4-6; Side 2: 4-5	No	10-15
Chops, 1" thick	broil	High <sup>1</sup>	5	Medium, 160 (71)	Side 1: 5-7; Side 2: 5-6	No	none

<sup>1</sup> Preheat the appliance

**Pork**

Food	Recommended cooking mode	Oven temperature in °F (°C)	Rack position	Doneness, internal temperature in °F (°C)	Time in min.	Food covered	Stand time in min.
Loin roast, 2.2-6.5 lbs	conv roast	350 (175) <sup>1</sup>	2	Medium, 160 (71)	16-25 min/ lb	No	none
Chops, 0.3-0.4 lbs	broil	High	5	160 (71)	Side 1: 8-12; Side 2: 6-10	No	none
Sausage, fresh	broil	High	5	170 (75)	Side 1: 5-7; Side 2: 4-6	No	none
Tenderloin, 2-3 lbs	conv roast	425 (220)	2	Medium, 160 (71)	15-28 min/ lb	No	none

<sup>1</sup> Preheat the appliance

**Poultry**

Stuffed turkey requires additional roasting time. The minimum safe temperature for stuffing in poultry is 165 °F (75 °C).

Food	Recommended cooking mode	Oven temperature in °F (°C)	Rack position	Doneness, internal temperature in °F (°C)	Time in min.	Food covered	Stand time in min.
Chicken breasts, bone-in	broil	High	4	170 (75)	Side 1: 15-20; Side 2: 13-18	No	none
Chicken thighs, bone-in	broil	High	4	180 (82)	Side 1: 12-15; Side 2: 9-11	No	none
Chicken, whole, 3-6.6 lbs	conv roast	375 (190) <sup>1</sup>	2	180 (82)	15-25 min/ lb	No	none
Cornish game hens, 1-1½" lbs	conv roast	350 (175)	2	180 (82)	45-75 min total time	No	none
Turkey breast, 4-8 lbs	conv roast	325 (160) <sup>1</sup>	2, 3	180 (82)	17-25 min/ lb	Foil to prevent over-browning	none
Turkey, unstuffed, 12-19 lbs	conv roast	325 (160) <sup>1</sup>	2	180 (82)	7-15 min/ lb	Foil to prevent over-browning	none
Turkey, unstuffed, 20-30 lbs	conv roast	325 (160) <sup>1</sup>	2	180 (82)	7-15 min/ lb	Foil to prevent over-browning	none

<sup>1</sup> Preheat the appliance



**Seafood**

<b>Food</b>	<b>Recommended cooking mode</b>	<b>Oven temperature in °F (°C)</b>	<b>Rack position</b>	<b>Doneness, internal temperature in °F (°C)</b>	<b>Time in min.</b>	<b>Food covered</b>	<b>Stand time in min.</b>
Fish filets	broil	High <sup>1</sup>	4	145 (60)	Side 1: 11-15; Side 2: 11-15	No	none

<sup>1</sup> Preheat the appliance

## 11 Troubleshooting

You can eliminate minor issues on your appliance yourself. Please read the information on eliminating issues before contacting Customer Service. This may avoid unnecessary repair costs.

**⚠ WARNING**

Improper repairs are dangerous.

- ▶ Only authorized service providers should repair the appliance.

- ▶ If the appliance has an issue, call Customer Service.

**⚠ WARNING**

Improper repairs are dangerous.

- ▶ Repairs to the appliance should only be performed by authorized service providers.
- ▶ Only original spare parts may be used to repair the appliance.

Issue	Cause and troubleshooting
Burner(s) do not light or igniters do not spark.	The gas shut-off valve is not in the "ON" position or the gas supply to the house is shut off. <ul style="list-style-type: none"> <li>▶ Ensure that the gas shut-off valve is in the "ON" position and the gas supply to the house is not shut off.</li> </ul> <hr/> The burner caps, burner bases or burner ports are clogged. <ol style="list-style-type: none"> <li>1. Ensure that the burner caps and burner bases and the burner ports are not clogged.</li> <li>2. Clear ports with a wire or straightened paper clip if clogged.</li> </ol> <hr/> The igniters are dirty or wet. <ul style="list-style-type: none"> <li>▶ Make sure the igniters are clean and dry.</li> </ul> <hr/> The power supply is not properly grounded or has the wrong polarity. <ul style="list-style-type: none"> <li>▶ Check the power supply. It should be properly grounded with the correct polarity.</li> </ul> <hr/> The unit's power cord is not fully plugged into the power outlet or the circuit breaker has tripped. <ul style="list-style-type: none"> <li>▶ Ensure that the unit's power cord is fully plugged into the power outlet and the circuit breaker has not tripped.</li> </ul>
The burner flame goes out unexpectedly.	There is a draft in the room. <ul style="list-style-type: none"> <li>▶ Ensure that there is no draft in the room.</li> </ul>
Cooktop burner(s) does not start correctly or flame extinguishes at burner as soon as knob is released.	The pushing time was too short or the pushing was too soft. <ol style="list-style-type: none"> <li>1. Use the recommended lighting position ⚡.</li> <li>2. Push the knob completely.</li> <li>3. Keep it fully pushed during the whole lighting procedure.</li> <li>4. Release the knob after min. 3-5 seconds.</li> </ol> <hr/> The burner cap not well positioned. <ul style="list-style-type: none"> <li>▶ Check the correct placement of the burner caps. → "Burner assembly", Page 14</li> </ul> <hr/> Dirt or moisture on burner, spark plug or thermocouple. <ul style="list-style-type: none"> <li>▶ Clean and dry these parts.</li> </ul> <hr/> Not enough gas in pipe. <ul style="list-style-type: none"> <li>▶ Check main gas valves and pressure regulator and make sure that pipes are purged from air.</li> </ul>
The small burner or the dual-flame burner does not light properly or is not stable or extinguishes.	The small burner caps are swapped. <ul style="list-style-type: none"> <li>▶ Check the correct placement of the burner caps. → "Burner assembly", Page 14</li> <li>▶ The burner cap with the smallest diameter must always be placed in the middle of the dual-flame burner.</li> <li>▶ If one of your burner caps is marked with "DUAL", it has to be placed in the middle of the dual-flame burner.</li> </ul>
Sparks appear on the wrong burner.	No fault: On starting one burner on all burners sparks will be generated.

Issue	Cause and troubleshooting
The igniters spark even though the knobs are in the off position.	The electrical power connection has been activated at the first power-up or reconnected after an outage. <ul style="list-style-type: none"> <li>▶ The igniters may spark once or twice, even though all burner knobs are in the "OFF" position. This is normal.</li> </ul>
The display is frozen or does not respond.	Various causes are possible. <ol style="list-style-type: none"> <li>1. Check if the panel lock function is active. <ul style="list-style-type: none"> <li>– Deactivate the panel lock. → <i>"Deactivating the panel lock", Page 26</i></li> </ul> </li> <li>2. If the panel lock function is not active: <ul style="list-style-type: none"> <li>– Disconnect the appliance from the power supply, using the corresponding switch on the domestic switch board.</li> <li>– Wait a couple of seconds and reconnect the appliance to the power supply.</li> </ul> </li> </ol>
Cooking results are not as expected.	The cooktop burner is not properly levelled. <ul style="list-style-type: none"> <li>▶ Check the level of the cooktop burner during installation.</li> </ul>
	The cookware does not fit on the surface being used. <ul style="list-style-type: none"> <li>▶ Choose a different surface or a different piece of cookware.</li> </ul>
	The cookware is not the recommended type or size. <ul style="list-style-type: none"> <li>▶ See "Notes regarding cookware" and "Baking pans and dishes". → <i>"Getting the most out of your appliance", Page 26</i></li> </ul>
The oven door feels hotter than before, after the oven door glass has been removed for cleaning.	The oven door glass is not inserted the right way round. <ul style="list-style-type: none"> <li>▶ Check if the oven door glass is inserted the right way round (low-E symbol can be read).</li> </ul>
The oven door is not balanced.	The inner door glass is missing or has not been inserted during reassembly. <ul style="list-style-type: none"> <li>▶ Check if the inner door glass is present or has been inserted during reassembly.</li> </ul>
Cooling fan continues to run when the oven is switched off.	No fault: The cooling fan will cool down until the oven temperature has reached the temperature chosen in the settings. → <i>"List of basic settings", Page 28</i>

## 12 Disposal

### 12.1 Disposal of your old appliance

Environmentally compatible disposal allows valuable raw materials to be recycled.

1. Unplug the appliance from the power supply.
2. Cut through the power cord.
3. Dispose of the appliance in an environmentally responsible manner.

Information about current disposal methods can be obtained from your specialist dealer or local authority.

## 13 Customer Service

With any warranty repair, we will make sure your appliance is repaired by an authorized service provider using genuine replacement parts. We use only genuine replacement parts for all repairs.

Detailed information on the warranty period and terms of warranty can be found in the Statement of Limited Product Warranty, from your retailer, or on our website.

If you contact Customer Service, you will need the model number (E-Nr.) and the production number (FD) of your appliance.

USA:

1-800-944-2904

[www.bosch-home.com/us/owner-support/get-support](http://www.bosch-home.com/us/owner-support/get-support)

[www.bosch-home.com/us/shop](http://www.bosch-home.com/us/shop)

CA:

1-800-944-2904

[www.bosch-home.ca/en/service/get-support](http://www.bosch-home.ca/en/service/get-support)

[www.bosch-home.ca/en/service/cleaners-and-accessories](http://www.bosch-home.ca/en/service/cleaners-and-accessories)

### 13.1 Model number (E-Nr.) and production number (FD)

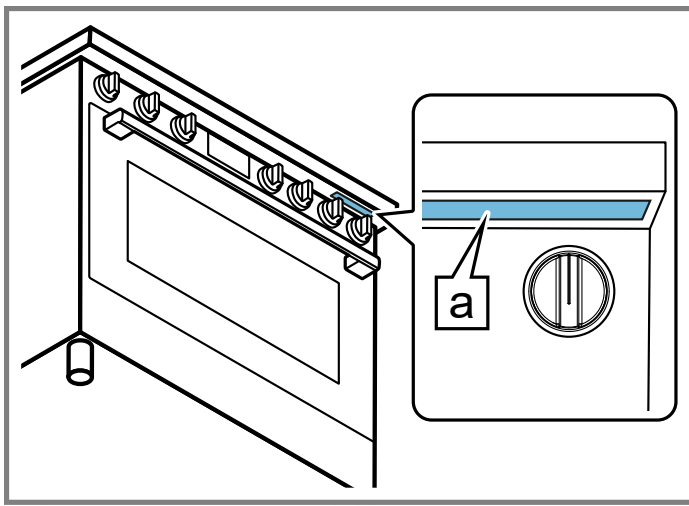
You can find the model number (E-Nr.) and the production number (FD) on the appliance's rating plate.

Making a note of your appliance's details and the Customer Service telephone number will enable you to find them again quickly.

### 13.2 Rating plate location

You can find the rating plate of your appliance:

- on the underside of the projecting control panel.
- on the rear of the appliance.



**a** Rating plate

## 14 STATEMENT OF LIMITED PRODUCT WARRANTY

### 14.1 What this warranty covers & Who it applies to

The limited warranty provided by BSH Home Appliances ("Bosch") in this Statement of Limited Product Warranty applies only to the Bosch appliance sold to you ("Product"), provided that the Product was purchased:

- For your normal, household (non-commercial) use, and has in fact at all times only been used for normal household purposes.
- New at retail from a BSH authorized dealer or directly from BSH (not a display, "as is", or previously returned model), and not for resale, or commercial use.
- Within the United States or Canada, and has at all times remained within the country of original purchase.

The warranties stated herein apply to the original purchaser of the product warranted herein and to each succeeding owner of the product purchased for ordinary home use during the term of the warranty.

Please make sure to register your Product; while not necessary to effectuate warranty coverage, it is the best way for Bosch to notify you in the unlikely event of a safety notice or product recall.

### 14.2 How long the warranty lasts

Bosch warrants that the Product is free from defects in materials and workmanship for a period of three hundred and sixty-five (365) days from the date of the original delivery. The foregoing timeline begins to run upon the date of the original delivery, and shall not be stalled, tolled, extended, or suspended, for any reason whatsoever. This Product is also warranted to be free from **cosmetic** defects in material and workmanship (such as scratches of stainless steel, paint/porcelain blemishes, chips, dents, or other damage to the finish) of the Product, for a period of thirty (30) days from the date of delivery or closing date for

new construction. This **cosmetic** warranty excludes slight color variations due to inherent differences in painted and porcelain parts, as well as differences caused by kitchen lighting, product location, or other similar factors. This **cosmetic** warranty specifically excludes any display, floor, "As Is", or "B" stock appliances.

### 14.3 Repair/replace as your exclusive remedy

During this warranty period, Bosch or one of its authorized service providers will repair your Product without charge to you (subject to certain limitations stated herein) if your Product proves to have been manufactured with a defect in materials or workmanship. If reasonable attempts to repair the Product have been made without success, then Bosch will replace your Product (upgraded models may be available to you, in Bosch's sole discretion, for an additional charge). Nothing in this warranty requires damaged or defective parts to be replaced with parts of a different type or design than the original part. All removed parts and components shall become the property of Bosch at its sole option. All replaced and/or repaired parts shall assume the identity of the original part for purposes of this warranty and this warranty shall not be extended with respect to such parts. Bosch's sole liability and responsibility hereunder is to repair manufacturer-defective Product only, using a Bosch authorized service provider during normal business hours. For safety and property damage concerns, Bosch highly recommends that you do not attempt to repair the Product yourself, or use a non-authorized service provider; Bosch will have no responsibility or liability for damage resulting from repairs or work performed by a non-authorized service provider. Authorized service providers are those persons or companies that have been specially trained on Bosch products, and who possess, in Bosch's opinion, a superior reputation for customer service and technical ability (note that they are independent entities and are not agents, partners, affiliates or representatives of Bosch). Nevertheless, taking your product to be serviced by a repair shop that is not affiliated with or an authorized dealer of Bosch will not void this warranty. Also, using third-party parts will not void this warranty. Notwithstanding the foregoing, Bosch will not incur any liability, or have responsibility, for the Product if it is located in a remote area (more than 100 miles from an authorized service provider) or is reasonably inaccessible, hazardous, threatening, or treacherous locale, surroundings, or environment; in any such event, if you request, Bosch would still pay for labor and parts and ship the parts to the nearest authorized service provider, but you would still be fully liable and responsible for any travel time or other special charges by the service company, assuming they agree to make the service call. Further, to the extent you have installed the Product in a difficult-to-access location or have otherwise installed temporary or permanent fixtures that create barriers to accessing or removing the Product, Bosch will not incur any liability for, or have responsibility, for work or costs associated with

moving the Product or otherwise creating access to the Product in order to repair or replace it. All such costs shall be your sole responsibility.

#### 14.4 Out of warranty product

Bosch is under no obligation, at law or otherwise, to provide you with any concessions, including repairs, prorates, or Product replacement, once this warranty has expired.

#### 14.5 Warranty exclusions

The warranty coverage described herein excludes all defects or damage that are not the direct fault of Bosch, including without limitation, one or more of the following:

- Use of the Product in anything other than its normal, customary and intended manner (including without limitation, any form of commercial use, use or storage of an indoor product outdoors, use of the Product in conjunction with air or water-going vessels).
- Any party's willful misconduct, negligence, misuse, abuse, accidents, neglect, improper operation, failure to maintain, improper or negligent installation, tampering, failure to follow operating instructions, mishandling, unauthorized service (including selfperformed "fixing" or exploration of the appliance's internal workings).
- Adjustment, alteration or modification of any kind.
- A failure to comply with any applicable state, local, city, or county electrical, plumbing and/or building codes, regulations, or laws, including failure to install the product in strict conformity with local fire and building codes and regulations.
- Ordinary wear and tear, spills of food, liquid, grease accumulations, or other substances that accumulate on, in, or around the Product.
- Any external, elemental and/or environmental forces and factors, including without limitation, rain, wind, sand, floods, fires, mud slides, freezing temperatures, excessive moisture or extended exposure to humidity, lightning, power surges, structural failures surrounding the appliance, and acts of God.
- Service calls to correct the installation of your Product, to instruct you how to use your Product, to replace house fuses or correct house wiring or plumbing.
- Removal and replacement of trim or decorative panels that interfere with servicing the Product.
- Damage or defects caused by labor or parts installed by any non-authorized service provider, unless approved by Bosch before service is performed.

In no event shall Bosch have any liability or responsibility whatsoever for damage to surrounding property, including cabinetry, floors, ceilings, and other structures or objects around the Product. Also excluded from this warranty are Products, on which the serial numbers have been altered, defaced, or removed; service visits to teach you how to use the Product, or visits where there is nothing wrong with the Product; correction of installation problems (you are solely responsible for any structure and setting for the Product, including all electrical, plumbing or other

connecting facilities, for proper foundation/flooring, and for any alterations including without limitation cabinetry, walls, floors, shelving, etc.); and resetting of breakers or fuses TO THE EXTENT ALLOWED BY LAW, THIS WARRANTY SETS OUT YOUR EXCLUSIVE REMEDIES WITH RESPECT TO PRODUCT, WHETHER THE CLAIM ARISES IN CONTRACT OR TORT (INCLUDING STRICT LIABILITY, OR NEGLIGENCE) OR OTHERWISE. THIS WARRANTY IS IN LIEU OF ALL OTHER WARRANTIES, WHETHER EXPRESS OR IMPLIED. ANY WARRANTY IMPLIED BY LAW, WHETHER FOR MERCHANTABILITY OR FITNESS FOR A PARTICULAR PURPOSE, OR OTHERWISE, SHALL BE EFFECTIVE ONLY FOR THE PERIOD THAT THIS EXPRESS LIMITED WARRANTY IS EFFECTIVE. IN NO EVENT WILL THE MANUFACTURER BE LIABLE FOR CONSEQUENTIAL, SPECIAL, INCIDENTAL, INDIRECT, "BUSINESS LOSS", AND/OR PUNITIVE DAMAGES, LOSSES, OR EXPENSES, INCLUDING WITHOUT LIMITATION TIME AWAY FROM WORK, HOTELS AND/OR RESTAURANT MEALS, REMODELLING EXPENSES IN EXCESS OF DIRECT DAMAGES WHICH ARE DEFINITELY CAUSED EXCLUSIVELY BY BOSCH, OR OTHERWISE. SOME STATES DO NOT ALLOW THE EXCLUSION OR LIMITATION OF INCIDENTAL OR CONSEQUENTIAL DAMAGES, AND SOME STATES DO NOT ALLOW LIMITATIONS ON HOW LONG AN IMPLIED WARRANTY LASTS, SO THE ABOVE EXCLUSIONS OR LIMITATIONS MAY NOT APPLY TO YOU. THIS WARRANTY GIVES YOU SPECIFIC LEGAL RIGHTS, AND YOU MAY ALSO HAVE OTHER RIGHTS WHICH VARY FROM STATE TO STATE.

No attempt to alter, modify or amend this warranty shall be effective unless authorized in writing by an officer of BSH.

#### 14.6 Obtaining warranty service

To obtain warranty service for your product, you should contact Bosch Customer Support at 1-800-944-2904 to schedule a repair.

#### 14.7 Product information

For handy reference, copy the information below from the rating plate. Keep your invoice and/or delivery documents for warranty validation.

---

Model number (E-Nr.)

---

Production number  
(FD)

---

Date of delivery

---

## Table des matières

<b>1 IMPORTANTES CONSIGNES DE SÉCURITÉ .....</b>	<b>47</b>	8.3 Sonde à viande à température interne.....	72
1.1 Définitions des termes de sécurité .....	48	8.4 Mode Sabbat.....	73
1.2 Indications générales .....	48	8.5 Verrouillage du panneau .....	73
1.3 Utilisation prévue .....	48	8.6 Tirer le meilleur parti de votre appareil .....	73
1.4 Restriction sur le groupe d'utilisateurs.....	48	<b>9 Nettoyage et entretien .....</b>	<b>77</b>
1.5 Utilisation sécuritaire .....	48	9.1 Nettoyage et entretien – Table de cuisson .....	77
1.6 Sécurité des enfants .....	52	9.2 Nettoyage et entretien – Four .....	80
1.7 Sécurité des gaz .....	53	<b>10 Tableaux de cuisson.....</b>	<b>85</b>
1.8 Fonction de nettoyage.....	53	10.1 Produits de boulangerie/entrées.....	85
1.9 Installation et entretien appropriés .....	54	10.2 Viandes.....	88
1.10 Conversion au gaz de pétrole liquéfié .....	55	<b>11 Dépannage.....</b>	<b>92</b>
1.11 Installation à haute altitude.....	55	<b>12 Élimination.....</b>	<b>93</b>
1.12 Mises en garde conformément à la proposition 65 de l'État de Californie .....	56	12.1 Éliminer un appareil usagé .....	93
<b>2 Prévenir les bris matériels .....</b>	<b>57</b>	<b>13 Service à la clientèle .....</b>	<b>93</b>
2.1 Prévenir les dommages à la cavité du four.....	57	13.1 Numéro de modèle (E-Nr.) et numéro de fabrication (FD) .....	94
2.2 Éviter d'endommager la table de cuisson.....	57	13.2 Emplacement de la plaque signalétique .....	94
<b>3 Protection de l'environnement et économies .....</b>	<b>57</b>	<b>14 ÉNONCÉ DE LA GARANTIE LIMITÉE DU PRODUIT.....</b>	<b>94</b>
3.1 Mise au rebut de l'emballage .....	57	14.1 Couverture de la garantie limitée.....	94
3.2 Économie d'énergie lors de l'utilisation du four.....	57	14.2 Durée de la garantie.....	94
3.3 Économie d'énergie lors de l'utilisation de la table de cuisson.....	58	14.3 Réparation ou remplacement : votre recours exclusif .....	94
<b>4 Description de l'appareil .....</b>	<b>59</b>	14.4 Produit hors garantie .....	95
4.1 Électroménager.....	59	14.5 Exclusions de garantie .....	95
<b>5 Accessoires.....</b>	<b>63</b>	14.6 Obtention du service de garantie.....	96
5.1 Autres accessoires.....	63	14.7 Information sur le produit.....	96
5.2 Montage du jeu de rails télescopiques .....	64		
5.3 Insertion des grilles .....	64		
5.4 Plaque.....	64		
5.5 Installation de la plaque .....	64		
<b>6 Avant d'utiliser pour la première fois .....</b>	<b>65</b>		
6.1 Avant d'utiliser le four pour la première fois.....	65		
6.2 Avant d'utiliser la table de cuisson pour la première fois .....	66		
<b>7 Fonctionnement de la table de cuisson .....</b>	<b>66</b>		
7.1 À propos de l'appareil .....	66		
7.2 Fonctionnement .....	66		
7.3 En cas de panne de courant .....	67		
7.4 Système de sécurité anti-flamme .....	67		
7.5 Fonctionnement normal - allumage électronique .....	67		
7.6 Avant la première utilisation .....	67		
7.7 Tirer le meilleur parti de votre appareil .....	67		
7.8 Recommandations de réglages.....	67		
7.9 Tableau de cuisson au brûleur normal .....	68		
7.10 Remarque concernant les ustensiles .....	70		
<b>8 Fonctionnement du four.....</b>	<b>71</b>		
8.1 Mise en marche du four .....	71		
8.2 Options de réglage du temps .....	71		



# IMPORTANTES CONSIGNES DE SÉCURITÉ

## LIRE ET CONSERVER CES INSTRUCTIONS

Lisez toutes les instructions attentivement avant l'utilisation. Ces précautions réduiront le risque d'électrocution, d'incendie et de blessure pour les personnes utilisant l'appareil. Lorsque vous utilisez des appareils électroménagers, il importe de suivre les précautions de sécurité de base, y compris celles indiquées dans les pages suivantes.

**⚠ AVERTISSEMENT : Si les directives ne sont pas suivies à la lettre, il y a un risque d'incendie ou d'explosion pouvant entraîner des dommages matériels, des blessures ou un décès.**

- Ne pas conserver ou utiliser de l'essence ou d'autres liquides ou vapeurs inflammables à proximité de cet appareil ou de tout autre appareil.
- **QUE FAIRE SI VOUS PERCEVEZ UNE ODEUR DE GAZ**
  - Ne pas essayer de mettre un appareil sous tension.
  - Ne pas toucher d'interrupteur de courant électrique.
  - Ne pas utiliser de téléphones dans l'édifice.
  - Communiquer immédiatement avec le fournisseur de gaz depuis l'appareil téléphonique d'un voisin. Respecter les directives du fournisseur de gaz.
  - S'il s'avère impossible de joindre le fournisseur de gaz, communiquer avec les pompiers.
- Utiliser les services d'un installateur ou d'une agence de services qualifiés ou le fournisseur de gaz pour procéder à l'installation et aux réparations.

### **⚠ AVERTISSEMENT :**

Ne jamais faire fonctionner la surface de la table de cuisson de cet appareil sans surveillance.

- Le non-respect de cet avertissement pourrait entraîner un risque d'incendie, d'explosion ou de brûlure qui pourrait provoquer des dommages matériels, des blessures ou un décès.
- En cas d'incendie, se tenir à l'écart de l'appareil et appeler immédiatement les pompiers.

**NE PAS ESSAYER D'ÉTEINDRE UN INCENDIE DE GRAISSE OU D'HUILE AVEC DE L'EAU.**



# IMPORTANTES CONSIGNES DE SÉCURITÉ

## LIRE ET CONSERVER CES INSTRUCTIONS

### 1.1 Définitions des termes de sécurité

Vous trouverez ici des explications sur les mots de signalisation de sécurité utilisés dans ce manuel.

#### **AVERTISSEMENT**

Signale un risque de mort ou de blessure grave si l'avertissement n'est pas respecté.

#### **MISE EN GARDE**

Signale un risque de blessures mineures ou modérées si l'avertissement n'est pas respecté.

#### **AVIS :**

Ceci indique que la non-conformité à cet avis de sécurité peut entraîner des dégâts matériels ou endommager l'appareil.

**Remarque :** Ceci vous signale des informations et/ou indications importantes.

### 1.2 Indications générales

- Lisez attentivement cette notice.
- Ne branchez pas l'appareil si ce dernier a été endommagé durant le transport.

### 1.3 Utilisation prévue

Utilisez uniquement cet appareil :

- pour préparer des aliments et des boissons.
- sous surveillance. Surveillez constamment les processus de cuisson de courte durée.
- dans un domicile privé et dans une pièce fermée de l'environnement domestique.

N'utilisez pas l'appareil :

- sur des bateaux ou dans des véhicules.
- comme chauffage d'appoint.
- Cet appareil n'est pas conçu pour fonctionner avec une minuterie externe ou une télécommande externe.

Pour l'adaptation à un autre type de gaz, appelez le service après-vente.

### 1.4 Restriction sur le groupe d'utilisateurs

Cet appareil n'est pas destiné à être utilisé par des personnes (y compris des enfants) présentant des capacités physiques, sensorielles ou mentales réduites, à

moins qu'elles n'aient été informées de la manière d'utiliser l'appareil par une personne responsable de leur sécurité.

Lorsque les enfants sont assez âgés pour utiliser l'appareil, il incombe aux parents ou tuteurs légaux de veiller à ce qu'ils soient formés aux pratiques sécuritaires par des personnes qualifiées.

Les enfants doivent être surveillés afin de s'assurer qu'ils ne jouent pas avec l'appareil.

Ne laissez pas les enfants jouer avec l'appareil.

### 1.5 Utilisation sécuritaire

#### **AVERTISSEMENT**

Lorsqu'il est correctement entretenu, votre nouvel appareil a été conçu pour être sûr et fiable.

- ▶ Lisez toutes les instructions attentivement avant l'utilisation. Ces consignes réduiront le risque de brûlure, d'électrocution, d'incendie et de blessure pour les personnes utilisant l'appareil.
- ▶ Lorsque vous utilisez des appareils électroménagers, il importe de suivre les précautions de sécurité de base, y compris celles indiquées dans les pages suivantes.

#### **AVERTISSEMENT**

Les matériaux surchauffés peuvent provoquer un incendie ou des brûlures.

- ▶ Ne laissez pas de papier d'aluminium, du plastique, du papier ou du tissu entrer en contact avec un élément de surface chaud, un brûleur ou une grille.
- ▶ Ne laissez pas les casseroles bouillir à sec.

Réglez la commande du brûleur de sorte que la flamme ne dépasse pas le fond de la casserole.

Veillez à ce que les courants d'air comme ceux des ventilateurs ou des événements à air forcé ne poussent pas les flammes de manière à ce qu'elles dépassent les bords de la casserole.

La cuisson sans surveillance sur une table de cuisson avec de la graisse ou de l'huile peut être dangereuse et peut provoquer un incendie.

- ▶ Ne laissez pas la table de cuisson sans surveillance lors de son utilisation.

Si une matière à l'intérieur du four ou un tiroir-réchaud venait à prendre feu, conservez la porte fermée.

- ▶ Éteindre l'appareil et déconnecter le circuit depuis le boîtier de disjoncteurs.

Un incendie pourrait se produire pendant la cuisson.

- ▶ Toujours avoir un détecteur de fumée en état de marche près de la cuisine.





# IMPORTANTES CONSIGNES DE SÉCURITÉ

## LIRE ET CONSERVER CES INSTRUCTIONS

- ▶ Prière d'avoir à portée de main un extincteur d'incendie en bon état de marche, placé visiblement près de l'appareil électroménager et facile d'accès.

NE couvrez JAMAIS les fentes, les orifices ou les canaux de la sole du four, ni ne couvrez toute une grille avec une matière comme du papier d'aluminium.

- ▶ Une telle couverture bloque le débit d'air dans le four et pourrait entraîner une intoxication par monoxyde de carbone.
- ▶ Utiliser une feuille de papier aluminium pourrait également emprisonner la chaleur, entraînant un risque d'incendie.

Si la table de cuisson est près d'une fenêtre, d'une ventilation à air forcé ou d'un ventilateur, assurez-vous que les matériaux inflammables tels que les couvre-fenêtres ne soufflent pas sur ou près des brûleurs ou des éléments chauffants. Ils pourraient prendre feu. Les incendies de cuisson peuvent se propager s'ils ne s'éteignent pas correctement.

- ▶ Ne jamais utiliser d'eau sur les feux de cuisson.

### AVERTISSEMENT

POUR RÉDUIRE LE RISQUE D'UN INCENDIE DE GRAISSE AU-DESSUS DE LA CUISINIÈRE

- ▶ Ne laissez jamais les unités de surface sans surveillance à des réglages élevés - Les débordements provoquent de la fumée et des débordements graisseux qui peuvent s'enflammer. Chauffez l'huile lentement à feu doux ou moyen.
- ▶ Mettez toujours la hotte en marche lorsque vous cuisinez à feu vif ou lorsque vous flambez des aliments (c.-à-d. Crêpes Suzette, cerise Jubilee, bœuf au poivre flambé).
- ▶ Nettoyez régulièrement les ventilateurs. Ne pas laisser la graisse s'accumuler sur le ventilateur ou sur le filtre.
- ▶ Utilisez une taille de casserole appropriée. Toujours utiliser des ustensiles de cuisson adaptés à la taille de l'élément de surface.

Des flammes peuvent être aspirées dans le système de ventilation.

- ▶ Dans la mesure du possible, ne mettez pas en marche le système de ventilation pendant un feu de table de cuisson. Toutefois, ne passez pas la main à travers le feu pour l'éteindre.

Les poignées des ustensiles de cuisine doivent être tournées vers l'intérieur et ne pas s'étendre sur les unités de surface adjacentes.

- ▶ Pour réduire le risque de brûlures, d'inflammation de matériaux inflammables et de déversements dus à un contact involontaire avec l'ustensiles de cuisine, la poignée d'un ustensile doit être positionnée de manière à ce qu'il soit tourné vers l'intérieur et ne dépasse pas les unités de surface adjacentes. Pour réduire le risque de brûlures, d'inflammation de matériaux inflammables et de déversements dus à un contact involontaire avec l'ustensile, la poignée d'un ustensiles de cuisine doit être positionnée de manière à ce qu'il soit tourné vers l'intérieur et ne dépasse pas les unités de surface adjacentes.

Portez des vêtements appropriés. Les vêtements amples ou suspendus, tels que les cravates, les foulards, les bijoux ou les manches pendantes, ne doivent jamais être portés lors de l'utilisation de l'appareil.

- ▶ Attachez les cheveux longs pour qu'ils ne pendent pas.
- ▶ Fixez tous les vêtements amples, etc. avant de commencer.

### MISE EN GARDE

Le processus de cuisson doit être supervisé. Un processus de cuisson à court terme doit être supervisé en continu.

### AVERTISSEMENT

Pour éviter tout risque d'incendie, ne stockez pas d'articles sur les surfaces de cuisson.

Si des vêtements ou des cheveux s'enflamment, rouler par terre immédiatement pour éteindre les flammes. N'utilisez pas d'eau sur les feux de graisse.

- ▶ Éteuffer le feu ou la flamme ou utiliser un extincteur à sec chimique ou à mousse.

Ajustez la taille de la flamme du brûleur afin qu'elle ne dépasse pas le bord de la casserole. Une bonne relation entre les ustensiles de cuisine et la flamme du brûleur réduit les risques pour la sécurité.

### MISE EN GARDE

Les événements du four sont importants pour la circulation de l'air. Couvrir les événements du four entraînera une surchauffe du four. Reportez-vous à l'aperçu de l'appareil pour connaître l'emplacement des événements du four. → Page 59

- ▶ N'obstruez pas l'évent avant du four ou la garniture d'évent arrière.



# IMPORTANTES CONSIGNES DE SÉCURITÉ

## LIRE ET CONSERVER CES INSTRUCTIONS

### AVERTISSEMENT

Utiliser seulement des maniques sèches - Des maniques mouillées ou humides sur des surfaces chaudes peuvent entraîner en brûlures de vapeur.

- ▶ Ne laissez pas les maniques toucher les éléments chauffants chauds.
- ▶ N'utilisez pas de serviette ou autre chiffon volumineux. L'huile chaude peut causer des brûlures et des blessures extrêmes.
- ▶ Utiliser les réglages de température élevée sur la table de cuisson, seulement si nécessaire.
- ▶ Pour éviter les bouillons et les éclaboussures, chauffer l'huile lentement à une température qui ne dépasse pas le réglage faible-moyen.

▶ Ne jamais déplacer un récipient rempli d'huile chaude, surtout une friteuse. Attendre qu'elle refroidisse.

Les déversements d'aliments chauds peuvent provoquer des brûlures.

- ▶ Tenir la poignée de la casserole en mélangeant ou en retournant l'aliment. Cela aide à prévenir les éclaboussures et les mouvements de la casserole.

**NE PAS TOUCHER LES UNITÉS DE SURFACE OU LES ZONES À PROXIMITÉ DES UNITÉS.** Les éléments de surface peuvent être chauds, même s'ils sont foncés. Les zones à proximité des éléments peuvent devenir suffisamment chaudes pour causer des brûlures.

- ▶ Pendant et après l'utilisation, ne touchez pas et ne laissez pas les vêtements, les maniques ou autres matériaux inflammables entrer en contact avec les unités de surface ou les zones proches des unités avant d'avoir suffisamment de temps pour refroidir.

Parmi ces zones se trouvent la table de cuisson et les zones faisant face à la table de cuisson.

**NE PAS TOUCHER LES ÉLÉMENTS CHAUFFANTS OU LES SURFACES INTÉRIEURES DU FOUR** - Les éléments chauffants peuvent être chauds même s'ils sont de couleur sombre. Les parois intérieures d'un four peuvent devenir suffisamment chaudes pour provoquer des brûlures.

- ▶ Pendant et après l'utilisation, ne touchez pas et ne laissez pas les vêtements, les maniques ou autres matériaux inflammables entrer en contact avec les éléments chauffants ou les surfaces intérieures du four avant d'avoir suffisamment de temps pour refroidir. Les autres surfaces de l'appareil peuvent devenir suffisamment chaudes pour provoquer des brûlures. Parmi ces surfaces se trouvent les ouvertures de ventilation du four, les surfaces proches de ces ouvertures et les portes du four.

Faire attention en ouvrant l'appareil.

- ▶ En se plaçant sur le côté, ouvrir la porte lentement et légèrement pour laisser l'air chaud et/ou la vapeur s'échapper du four.
- ▶ Éloigner le visage de l'ouverture et s'assurer qu'aucun enfant ou animal ne se trouve près de l'appareil.
- ▶ Une fois l'air chaud et/ou la vapeur sortis, continuer la cuisson.
- ▶ Ne pas laisser les portes ouvertes à moins que l'on soit en train de cuisiner ou de nettoyer.
- ▶ Ne pas laisser les portes ouvertes sans surveillance. Ne pas nettoyer l'appareil pendant qu'il est encore chaud. Certains nettoyeurs produisent des émanations toxiques lorsqu'ils sont appliqués sur une surface chaude. Les vêtements et les éponges mouillés peuvent provoquer des brûlures causées par la vapeur. Après un déversement ou un débordement, éteignez le brûleur et laissez refroidir la table de cuisson.
- ▶ Nettoyez autour du brûleur et des orifices du brûleur.
- ▶ Après le nettoyage, vérifiez le bon fonctionnement. Avant d'utiliser un ustensile de cuisson, l'inspecter à la recherche de dommages ou d'usure excessive.

### MISE EN GARDE

Soyez prudent lorsque vous cuisinez des aliments à forte teneur en alcool (par exemple rhum, brandy, bourbon) dans le four. L'alcool s'évapore à des températures élevées. Il y a un risque de brûlure car les vapeurs d'alcool peuvent prendre feu dans le four.

- ▶ N'utilisez que de petites quantités d'alcool dans les aliments et ouvrez soigneusement la porte du four.

Les grilles du four et les surfaces des cavités du four deviennent très chaudes pendant la cuisson.

- ▶ Placez les grilles du four dans les positions souhaitées avant d'allumer le four.
- ▶ Utilisez toujours des gants de cuisine lorsque le four est chaud.
- ▶ Si une grille doit être déplacée alors que le four est chaud, ne laissez pas les gants de cuisine entrer en contact avec les éléments chauffants chauds.
- ▶ Soyez prudent lorsque vous retirez les grilles du four de la position la plus basse pour éviter tout contact avec la porte chaude du four.



# IMPORTANTES CONSIGNES DE SÉCURITÉ

## LIRE ET CONSERVER CES INSTRUCTIONS

### AVERTISSEMENT

Éviter de se pencher au-dessus de l'appareil.

- ▶ Se rappeler que certains vêtements et produits capillaires contiennent des produits chimiques inflammables qui peuvent s'enflammer au contact des éléments de surface ou des brûleurs chauds et causer des blessures graves.

Ne pas placer des objets sur le panneau de commande de projection devant les brûleurs. La zone devient très chaude lors de la cuisson.

L'intérieur du four et la sonde thermométrique peuvent devenir très chauds.

- ▶ Utiliser des gants de four pour enficher et débrancher la sonde thermométrique.

### AVERTISSEMENT

Stockage dans ou sur l'appareil - L'utilisation de produits chimiques corrosifs dans le chauffage ou le nettoyage endommagera l'appareil et pourrait entraîner des blessures.

- ▶ Les matériaux inflammables, les produits chimiques corrosifs, les vapeurs ou les produits non alimentaires ne doivent pas être stockés ou utilisés dans un four ou sur ou près des unités de surface.
- ▶ L'appareil est spécialement conçu pour être utilisé lors du chauffage ou de la cuisson des aliments.

Cet appareil électroménager est conçu uniquement pour un usage domestique habituel.

- ▶ Il n'est pas approuvé pour une utilisation en extérieur.
- ▶ Consultez l'énoncé de garantie limitée de produit. Pour toute question, veiller à communiquer avec le fabricant.

### AVERTISSEMENT

L'utilisation de cet appareil autrement que pour son utilisation prévue peut provoquer un incendie ou des blessures corporelles.

- ▶ N'utilisez cet appareil que pour l'usage auquel il est destiné, comme décrit dans ce manuel.
- ▶ N'utilisez JAMAIS vos appareils comme appareil de chauffage pour réchauffer ou chauffer la pièce. Cela pourrait entraîner une surchauffe de l'appareil.
- ▶ N'utilisez jamais l'appareil pour le stockage.

**AVERTISSEMENT-POUR RÉDUIRE LE RISQUE DE BLESSURES EN CAS D'INCENDIE DE GRAISSE DE CUISINIÈRE, RESPECTER LES INDICATIONS SUIVANTES.**

- ▶ **FLAMMES PLUS DOUCES** avec un ajustement serré du couvercle, plaque à biscuits ou plateau métallique, puis éteignez le brûleur. **FAIRE ATTENTION AUX**

**BRÛLURES.** Si les flammes ne s'éteignent pas immédiatement, **ÉVACUEZ ET APPELEZ LE SERVICE D'INCENDIE.**

- ▶ **NE JAMAIS PRENDRE UNE POÊLE À FLAMBER** - vous pourriez vous brûler.
- ▶ **NE PAS UTILISER D'EAU**, y compris des torchons ou des serviettes mouillés, cela provoquerait une violente explosion de vapeur.
- ▶ Utilisez un extincteur **UNIQUEMENT** si :
  - Vous savez que vous avez un extincteur de classe ABC, et vous savez déjà comment le faire fonctionner.
  - L'incendie est petit et contenu dans la zone où il a commencé.
  - Si vous avez appelé les pompiers.
  - Vous pouvez combattre l'incendie en gardant le dos tourné vers la sortie.

Ne chauffez pas et ne réchauffez pas des récipients non ouverts. L'accumulation de pression peut faire exploser le contenant et provoquer des blessures.

Le fait de ne pas utiliser correctement les boutons peut entraîner des blessures corporelles et des dommages à l'appareil.

Ustensiles de cuisson vitrés - Seuls certains types de verre, verre/céramique, de céramique, de faïence ou d'autres ustensiles vitrés conviennent à la table de cuisson ou au service de cuisinière sans se casser en raison du changement soudain de température.

Les sacs de cuisson ou de rôtissage peuvent exploser.

- ▶ Observez les instructions du fabricant lors de l'utilisation de sacs de cuisson ou de rôtissage.

### MISE EN GARDE

Pour éviter d'éventuelles blessures ou dommages à l'appareil, assurez-vous que la grille du four est installée exactement selon les instructions d'installation et non vers l'arrière ou à l'envers.

Ne placez rien sur le fond de la cavité du four. Ne couvrez pas la sole avec une feuille de papier aluminium. Une accumulation de chaleur pourrait endommager l'appareil ou causer des blessures.

### AVERTISSEMENT

L'humidité qui pénètre peut occasionner une électrocution.

- ▶ N'utilisez pas de nettoyeur haute pression ou de nettoyeur à vapeur pour nettoyer l'appareil.



# IMPORTANTES CONSIGNES DE SÉCURITÉ

## LIRE ET CONSERVER CES INSTRUCTIONS

Si l'appareil ou le cordon d'alimentation est endommagé, cela est dangereux.

- ▶ Ne mettez pas l'appareil sous tension si l'appareil ou le cordon d'alimentation est endommagé. Cela pourrait causer des blessures.
- ▶ Ne faites jamais fonctionner un appareil endommagé.
- ▶ Si l'appareil ou le cordon d'alimentation est endommagé, débranchez immédiatement le cordon d'alimentation ou coupez le disjoncteur dans le boîtier du disjoncteur et coupez l'alimentation en gaz.
- ▶ Communiquez avec le service à la clientèle.  
→ Page 93
- ▶ Les réparations de l'appareil ne doivent être effectuées que par du personnel qualifié formé à cet effet.

### AVERTISSEMENT

Si la porte de l'appareil est rayée, le verre peut se fissurer.

- ▶ N'utilisez pas de nettoyants agressifs ou abrasifs ou de grattoirs métalliques tranchants pour nettoyer la vitre de la porte du four, car ils pourraient rayer la surface.

L'utilisation de la mauvaise sonde thermométrique peut endommager l'isolant. Utiliser uniquement la sonde thermométrique conçue pour cet appareil électroménager.

**AVIS DE SÉCURITÉ IMPORTANT :** Le California Safe Drinking Water and Toxic Enforcement Act oblige le gouverneur de Californie à publier une liste des substances reconnues par l'État pour causer le cancer, des anomalies congénitales ou d'autres troubles de la reproduction, et oblige les entreprises à avertir les clients d'une exposition potentielle à de tels substances. La combustion du combustible de cuisson au gaz et l'élimination des salissures lors de l'auto-nettoyage peuvent générer certains sous-produits qui figurent sur la liste. Pour minimiser l'exposition à ces substances, faites toujours fonctionner cet appareil conformément aux instructions contenues dans ce livret et assurez une bonne ventilation.

## 1.6 Sécurité des enfants

Cet appareil n'est pas destiné à être utilisé par des personnes (y compris des enfants) présentant des capacités physiques, sensorielles ou mentales réduites, à

moins qu'elles n'aient été informées de la manière d'utiliser l'appareil par une personne responsable de leur sécurité.

Lorsque les enfants sont assez âgés pour utiliser l'appareil, il incombe aux parents ou tuteurs légaux de veiller à ce qu'ils soient formés aux pratiques sécuritaires par des personnes qualifiées.

### AVERTISSEMENT

Ne pas permettre aux enfants d'utiliser cet appareil électroménager à moins d'être étroitement surveillés par un adulte.

- ▶ Les enfants et les animaux domestiques ne doivent pas être laissés seuls ou sans surveillance à un endroit où un appareil électroménager est utilisé. Ils ne doivent jamais jouer à proximité, que l'appareil soit utilisé ou non.

Ne pas laisser quiconque monter, se tenir debout, se pencher, s'asseoir ou se suspendre sur une partie quelconque de l'appareil électroménager, principalement une porte, un tiroir chauffant ou un tiroir de rangement.

- ▶ Cela peut endommager l'appareil et l'appareil peut basculer et provoquer des blessures graves.

Ne laissez pas les enfants jouer avec l'appareil.

### MISE EN GARDE

Ne stockez pas les articles qui intéressent les enfants dans des armoires au-dessus d'une cuisinière ou sur le panneau arrière d'une cuisinière. Les enfants grimpant sur la cuisinière pour atteindre des objets pourraient être gravement blessés.

Ne laissez pas les enfants seuls.

- ▶ Les enfants ne doivent pas être laissés seuls ou sans surveillance à un endroit où un appareil électroménager est utilisé.
- ▶ Les enfants ne doivent jamais s'asseoir ou rester debout sur une partie quelconque de l'appareil.
- ▶ Vérifiez toujours l'intérieur du four avant de l'allumer.

### AVERTISSEMENT

Pour éviter tout risque d'étouffement :

- ▶ Ne jamais laisser les enfants jouer avec le matériel d'emballage.
- ▶ Conservez les pièces de petite taille dans un endroit sûr, car elles peuvent être avalées facilement.



# IMPORTANTES CONSIGNES DE SÉCURITÉ

## LIRE ET CONSERVER CES INSTRUCTIONS

### 1.7 Sécurité des gaz

#### AVERTISSEMENT

Pour éviter l'accumulation de monoxyde de carbone, ne bloquez pas les orifices d'aération de l'appareil.

#### AVERTISSEMENT

Demandez à l'installateur de vous montrer où se trouve la vanne d'arrêt de gaz.

Si un brûleur s'éteint et que du gaz s'échappe, ouvrez les fenêtres et les portes. Attendez que le gaz se dissipe avant d'utiliser l'appareil.

Si vous sentez des effluves de gaz, l'installateur n'a pas correctement vérifié la présence de fuites. Si les raccordements de son pas parfaitement serrés, vous pouvez avoir une petite fuite et une faible odeur de gaz. Trouver une fuite de gaz n'est pas une procédure « à faire soi-même ». Certaines fuites ne peuvent être détectées que lorsque la commande du brûleur est en position ON (EN MARCHE) et cela doit être fait par un technicien de service qualifié. Lisez l'AVERTISSEMENT sur l'odeur de gaz.

#### AVERTISSEMENT

Maintenez les ports de l'allumeur propre pour optimiser le rendement du brûleur. Il est nécessaire de nettoyer les ports de l'allumeur après un débordement ou quand le brûleur ne s'allume pas au déclenchement des allumeurs électroniques.

Pour optimiser le rendement du brûleur, gardez les allumeurs propres et secs.

#### MISE EN GARDE

Tous les allumeurs produisent une étincelle lorsqu'on allume un brûleur quelconque.

- ▶ Ne touchez pas les brûleurs lorsque la table de cuisson est en cours d'utilisation.

#### AVERTISSEMENT

Pour éviter les flambées, toutes les grilles doivent être correctement positionnées sur la table de cuisson chaque fois que la table de cuisson est utilisée. Chacun des pieds doit s'appuyer dans les petites dépressions correspondantes de la table de cuisson.

- ▶ Ne pas utiliser une grille si les pieds de caoutchouc sont manquants ou endommagés.

#### AVERTISSEMENT

Ne nettoyez ou ne touchez aucun des brûleurs lorsqu'un brûleur très bas (le cas échéant) est utilisé. Lorsque le brûleur très bas se rallume automatiquement, l'allumeur du brûleur produira des étincelles.

#### AVERTISSEMENT

Pour éviter des flambées, ne pas utiliser la table de cuisson sans tous les chapeaux de brûleurs en place et toutes les grilles de brûleur bien positionnées.

#### AVERTISSEMENT

N'utilisez cet appareil que pour l'usage auquel il est destiné, comme décrit dans ce manuel.

- ▶ N'utilisez JAMAIS cet appareil comme radiateur pour chauffer ou réchauffer la pièce. Cela pourrait entraîner une intoxication au monoxyde de carbone et une surchauffe de l'appareil.
- ▶ N'utilisez jamais l'appareil pour le stockage.

#### AVERTISSEMENT

La combustion de gaz combustible pour la cuisson peut générer de faibles quantités de monoxyde de carbone, de benzène, de formaldéhyde et de suie. Pour minimiser l'exposition à ces substances, les brûleurs doivent être réglés par un installateur ou un organisme agréé pour assurer une combustion adéquate.

- ▶ Pour une bonne ventilation, utilisez une fenêtre ouverte, un ventilateur ou une hotte lorsque vous cuisinez au gaz.
- ▶ Toujours faire fonctionner l'appareil en suivant les consignes de ce manuel.

### 1.8 Fonction de nettoyage

Suivez ces consignes de sécurité lorsque vous utilisez la fonction de nettoyage.

#### AVERTISSEMENT

L'extérieur de l'appareil devient très chaud lorsque la fonction de nettoyage est en cours.

- ▶ Ne touchez jamais la porte de l'appareil électroménager.
- ▶ Laissez refroidir l'appareil.
- ▶ Gardez les enfants à une distance sécuritaire.

#### AVERTISSEMENT

N'utilisez pas de revêtement protecteur pour recouvrir le four et n'utilisez pas de nettoyant pour four du commerce. Nettoyez uniquement les pièces répertoriées dans ce manuel.



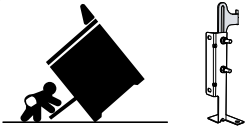
# IMPORTANTES CONSIGNES DE SÉCURITÉ

## LIRE ET CONSERVER CES INSTRUCTIONS

### 1.9 Installation et entretien appropriés

#### AVERTISSEMENT

**DANGER DE RENVERSEMENT!** Un enfant ou un adulte peut renverser le four et être tué.



- ▶ Installer le dispositif anti-basculement sur la structure et / ou le four.
- ▶ Vérifiez que le dispositif anti-basculement a été correctement installé et engagé.
- ▶ Engagez le four sur le dispositif anti-basculer. Assurez-vous que le dispositif anti-basculer est réengagé lorsque la cuisinière est déplacée.
- ▶ Réengager le dispositif anti-basculement si la cuisinière est déplacée. Ne pas utiliser la cuisinière sans le dispositif anti-basculer en place et engagé.
- ▶ Voir les instructions d'installation pour plus de détails.
- ▶ Non-respect des instructions de ce manuel peut entraîner la mort ou des brûlures graves pour les enfants et les adultes.
- ▶ Vérifiez que le support anti-basculement est correctement installé et utilisé. Inclinez délicatement la cuisinière vers l'avant de l'arrière pour s'assurer que le support anti-basculer s'engage dans la patte de la cuisinière et empêche le renversement. La portée ne doit pas dépasser 1 po (2,5 cm).

#### AVERTISSEMENT

En cas de dysfonctionnement, il peut s'avérer nécessaire de couper l'alimentation.

- ▶ Demandez à l'installateur de vous montrer le disjoncteur ou le fusible. Identifiez sa position pour pouvoir le retrouver facilement.
- Pour éviter les risques d'électrocution, avant de réparer l'appareil, coupez l'alimentation au niveau du panneau de service et verrouillez le panneau pour éviter que l'alimentation ne soit accidentellement activée.
- Installation correcte - Une installation ou une mise à la terre incorrecte peut provoquer un choc électrique.
- ▶ L'appareil doit être correctement installé et mis à la terre par un technicien qualifié.
  - ▶ Raccordez l'appareil uniquement à une prise de courant correctement mise à la terre.
  - ▶ Reportez-vous aux instructions d'installation pour plus de détails.

Entretien par l'utilisateur - Ne réparez ni ne remplacez aucune pièce de l'appareil à moins que ce ne soit spécifiquement recommandé dans ce manuel.

- ▶ Tous les autres services doivent être référés à un fournisseur de services agréé.

La prise d'éclairage est sous tension lorsque la porte est ouverte si l'alimentation principale n'est pas coupée.

- ▶ Coupez l'alimentation électrique principale sur le panneau de service avant de changer les ampoules.

#### AVERTISSEMENT

S'assurer que l'appareil et l'éclairage sont froids et veiller à couper l'alimentation électrique de l'appareil avant de remplacer la ou les ampoules. Le non-respect de cette précaution pourrait entraîner un choc électrique ou des brûlures.

- ▶ Les lentilles doivent être en place lors de l'utilisation de l'appareil.
- ▶ Les lentilles servent à protéger l'ampoule de la rupture.
- ▶ Les lentilles sont en verre. Manipulez les lentilles avec précaution pour éviter de les endommager. Les éclats de verre peuvent entraîner une blessure.

Le non-respect de ces instructions lors du retrait de la porte du four peut entraîner des blessures ou endommager le produit.

- ▶ Avant de démonter la porte, s'assurer que le four soit froid et que le courant qui l'alimente a été coupé. Le non-respect de cette précaution pourrait entraîner un choc électrique ou des brûlures.
- ▶ La porte du four est lourde et certaines parties sont fragiles. Utilisez les deux mains pour retirer la porte du four.
- ▶ Le devant de la porte est en verre. Manipulez-la avec précaution pour éviter des cassures.
- ▶ Saisir uniquement les côtés de la porte. Ne saisissez pas la poignée. Il peut osciller dans votre main et provoquer des dommages ou des blessures. Si la porte du four n'est pas saisie fermement et correctement, il y a un risque de blessure ou de dommage à l'appareil.
- ▶ Pour éviter toute blessure causée par l'enclenchement soudain du support de charnière, s'assurer que les deux leviers sont bien enclenchés avant d'enlever la porte.
- ▶ Ne forcez pas la porte pour l'ouvrir ou la fermer. La charnière pourrait être endommagée et provoquer des dommages ou des blessures.



# IMPORTANTES CONSIGNES DE SÉCURITÉ

## LIRE ET CONSERVER CES INSTRUCTIONS

- ▶ Ne pas déposer la porte sur des objets acérés ou pointus, car ils risquent de briser la vitre. Posez-la sur une surface plane et lisse, positionnée de manière à ce que la porte ne puisse pas tomber.

### AVERTISSEMENT

La graisse et le gras peuvent s'enflammer lorsqu'elles sont chauffées.

- ▶ Gardez le four exempt de graisse.

### MISE EN GARDE

En cas d'erreur, l'écran clignote et un signal sonore retentit en permanence.

- ▶ Débranchez l'appareil de l'alimentation électrique et appelez un prestataire de services agréé.

### AVERTISSEMENT

Les dysfonctionnements peuvent provoquer des blessures.

- ▶ Ne pas utiliser cet appareil électroménager s'il ne fonctionne pas correctement ou s'il a été endommagé. Contactez un prestataire de services agréé.

## 1.10 Conversion au gaz de pétrole liquéfié

### AVERTISSEMENT

Si la cuisinière n'est pas installée par un installateur ou un électricien qualifié, des blessures corporelles ou la mort par électrocution peuvent survenir. Tous les ajouts, modifications ou conversions nécessaires pour que cet appareil réponde de manière satisfaisante aux besoins de l'application doivent être effectués par un technicien qualifié.

Votre modèle de cuisinière à gaz est conçu pour permettre la conversion de LP par un technicien de service qualifié.

- ▶ Avant d'installer la trousse, assurez-vous de suivre attentivement les instructions d'installation LP.

## AVERTISSEMENT

**Cette trousse de conversion doit être installée par une agence de réparation qualifiée en conformité aux directives du fabricant et de tous les autres codes et toutes les exigences en vigueur de l'autorité ayant juridiction. Si les directives ne sont pas suivies à la lettre, il y a un risque d'incendie, d'explosion ou de génération de monoxyde de carbone pouvant entraîner des dommages matériels, des blessures ou une perte de vie. L'agence de réparation qualifiée est responsable de la bonne installation de cette trousse. L'installation n'est pas jugée terminée et adéquate jusqu'à ce que l'on ait testé l'appareil converti comme précisé dans les directives du fabricant fournies avec la trousse.**

## 1.11 Installation à haute altitude

Cet appareil a été testé pour fonctionner à une altitude allant jusqu'à 3 078 m (10 000 pi) au-dessus du niveau de la mer.

Le cas échéant, il faudrait procéder à des ajustements pour les utiliser à des altitudes au-dessus de 2 000 m (610 pi). Veuillez vérifier les brûleurs au réglage le plus bas. Si la flamme est instable, haussez la flamme de



# IMPORTANTES CONSIGNES DE SÉCURITÉ

## LIRE ET CONSERVER CES INSTRUCTIONS

---

mijotage jusqu'à ce qu'elle soit stable. Vous pouvez le faire en réglant la vis de dérivation de la soupape. Si la flamme réagit de manière satisfaisante, aucun ajustement n'est requis. Lors de l'installation, il est obligatoire de faire appel à un professionnel certifié pour procéder aux réglages d'utilisation à altitude élevée. Des ensembles de buses à haute altitude pour le gaz naturel et le gaz propane sont disponibles pour les installations à 2 000-6 500 pi (610 à 1 981 m) ou 6 501 à 10 000 pi (1 982 à 3 048 m) si les réglages à l'aide de la vis de dérivation ne résolvent pas les problèmes de performance.

### 1.12 Mises en garde conformément à la proposition 65 de l'État de Californie

Ce produit pourrait contenir un produit chimique reconnu par l'État de la Californie comme cancérigène ou ayant des effets nocifs sur la reproduction. Par conséquent, vous pourriez devoir apposer l'étiquette suivante sur l'emballage du produit comme requis par la Californie :

**AVERTISSEMENT ISSUE DE LA PROPOSITION 65 DE L'ÉTAT DE LA CALIFORNIE :**



**AVERTISSEMENT**

Cancer et dommages à la reproduction -  
[www.P65Warnings.ca.gov](http://www.P65Warnings.ca.gov)



## 2 Prévenir les bris matériels

### 2.1 Prévenir les dommages à la cavité du four

#### AVIS :

La présence d'objets sur le fond de la cavité du four provoquera une accumulation de chaleur. Les temps de cuisson et de rôtissage ne seront alors plus exacts et cela risque d'endommager l'émail.

- ▶ Ne couvrez pas le fond de la cavité du four avec du papier d'aluminium ou du papier sulfurisé.
- ▶ Ne placez pas d'accessoires sur le fond de la cavité du four.

Ne laissez pas le papier d'aluminium dans la cavité du four entrer en contact avec la vitre de la porte, cela pourrait provoquer une décoloration permanente.

Ne versez jamais d'eau dans la cavité du four lorsqu'elle est encore chaude. Ne placez jamais d'ustensiles de cuisine contenant de l'eau sur le fond de la cavité du four. La présence prolongée d'humidité dans la cavité du four entraîne une corrosion.

- ▶ Laissez la cavité du four sécher après usage.
- ▶ Ne gardez pas les aliments humides dans la cavité du four pendant une longue période avec la porte fermée.
- ▶ Ne conservez pas d'aliments dans la cavité du four.

Laisser l'appareil refroidir avec la porte ouverte endommagera le devant des éléments de cuisine voisins au fil du temps.

- ▶ Laissez toujours la cavité du four refroidir avec la porte fermée après la cuisson à des températures élevées. Ne laissez la cavité du four sécher avec la porte ouverte que si beaucoup d'humidité a été produite pendant le fonctionnement.

- ▶ Veillez à ne rien coincer dans la porte de l'appareil.

Le jus de fruit qui s'égoutte d'un moule laisse des taches qui ne peuvent pas s'enlever.

- ▶ Lors de la cuisson de tartes aux fruits très juteuses, n'en mettez pas trop sur la plaque à pâtisserie.

Si le joint est très sale, la porte de l'appareil ne se fermera pas correctement lorsque l'appareil est en marche. Cela pourrait endommager l'avant des unités de cuisine adjacentes.

- ▶ Gardez le joint propre en tout temps.
- ▶ Ne faites pas fonctionner l'appareil si le joint est endommagé ou manquant. Ne faites pas fonctionner l'appareil si le joint est endommagé ou manquant.

S'asseoir ou placer des objets sur la porte de l'appareil peut l'endommager.

- ▶ Ne placez pas et ne suspendez pas d'objets sur la porte de l'appareil.
- ▶ Ne placez pas d'ustensiles de cuisine ou d'accessoires sur la porte de l'appareil.

Avec certains modèles, les accessoires peuvent rayer la vitre de la porte lors de la fermeture de la porte de l'appareil.

- ▶ Poussez toujours complètement les accessoires dans la cavité du four.

Le transport de l'appareil par la poignée de porte pourrait le casser. La poignée de porte ne peut pas supporter le poids de l'appareil.

- ▶ Ne pas porter ou tenir l'appareil par la porte.

### 2.2 Éviter d'endommager la table de cuisson

#### AVIS :

DÉFAUT DE FONCTIONNEMENT.

- ▶ Tournez toujours le bouton de commande sur la position **OFF** lorsque l'appareil n'est pas utilisé. La surchauffe peut endommager la batterie de cuisine.
- ▶ Ne chauffez pas de casseroles ou poêles vides.

Une accumulation de chaleur peut endommager l'appareil.

- ▶ Ne couvrez jamais la table de cuisson, par exemple avec du papier d'aluminium ou des protecteurs de four.
- ▶ Ne placez pas les rôtissoires, les poêles à frire ou les pierres à griller sur plus d'un brûleur à la fois.
- ▶ N'utilisez que les accessoires spécifiés.

Les liquides acides tels que le jus de citron ou le vinaigre peuvent endommager la finition de surface de l'appareil.

- ▶ Retirez immédiatement les liquides renversés. Soyez prudent lorsque les brûleurs sont encore chauds.

La chaleur peut endommager les appareils ou les meubles adjacents. Si l'appareil fonctionne pendant une période prolongée, de la chaleur et de l'humidité seront générées.

Une ventilation supplémentaire est nécessaire.

- ▶ Ouvrez la fenêtre ou allumez une hotte aspirante qui évacue l'air extrait et l'humidité à l'extérieur du bâtiment.

## 3 Protection de l'environnement et économies

### 3.1 Mise au rebut de l'emballage

Les matériaux d'emballage sont écologiques et recyclables.

- ▶ Veuillez éliminer les pièces détachées après les avoir triées par matières.

### 3.2 Économie d'énergie lors de l'utilisation du four

Si vous suivez ces conseils, votre appareil consomme moins d'énergie.

Préchauffez l'appareil uniquement si la recette ou les réglages recommandés vous le demandent.

- ✓ Ne pas préchauffer l'appareil peut réduire l'énergie consommée.

Utilisez des plaques de cuisson de couleur foncée, à revêtement noir ou émaillées.

- ✓ Ces types de moules absorbent particulièrement bien la chaleur.

Ouvrez la porte de l'appareil le moins possible pendant le fonctionnement.

- ✓ Cela maintiendra la température dans la cavité du four et éliminera le besoin de réchauffer l'appareil.

Lors de la cuisson de plusieurs plats, faites-le successivement ou en même temps.

- ✓ La cavité du four est chauffée après la cuisson du premier plat. Cela réduit le temps de cuisson du deuxième plat.

Si le temps de cuisson est relativement long, vous pouvez éteindre l'appareil 10 minutes avant la fin du temps de cuisson.

- ✓ Il y aura suffisamment de chaleur résiduelle pour terminer la cuisson du plat.

Retirez tous les accessoires non utilisés de la cavité du four.

- ✓ Une casserole supplémentaire sans nourriture affecte le brunissement et la cuisson.

Laissez décongeler les aliments congelés avant de les cuire.

- ✓ Cela permettra d'économiser l'énergie qui serait autrement nécessaire pour le dégivrer.

### 3.3 Économie d'énergie lors de l'utilisation de la table de cuisson

Si vous suivez ces conseils, votre appareil consomme moins d'énergie.

Sélectionnez un diamètre d'ustensile qui correspond au brûleur. Centrez la casserole sur le brûleur.

**Conseil :** Les fabricants d'ustensiles de cuisine indiquent généralement le diamètre supérieur de l'ustensile. Le diamètre de la base de la batterie de cuisine est généralement plus petit.

- ✓ L'énergie est destinée à la batterie de cuisine. Si vous utilisez des ustensiles de cuisine trop petits, vous gaspillez de l'énergie. Si la batterie de cuisine est trop grande, beaucoup d'énergie est utilisée pour chauffer la batterie de cuisine.

Fermez la casserole avec un couvercle approprié.

- ✓ Cuire sans couvercle consomme plus d'énergie.

Ne soulevez le couvercle que si nécessaire.

- ✓ Si vous soulevez le couvercle, beaucoup d'énergie peut s'échapper.

Utilisez un couvercle en verre.

- ✓ Si vous utilisez un couvercle en verre, vous pouvez regarder à l'intérieur de l'ustensile sans soulever le couvercle.

Utiliser des ustensiles de cuisson à base solide plate.

- ✓ Les bases incurvées des ustensiles de cuisine augmentent la consommation d'énergie.

Utilisez une taille d'ustensile qui correspond à la quantité d'aliments que vous souhaitez cuire.

- ✓ Les ustensiles de cuisine avec peu de contenu consomment beaucoup d'énergie.

Faites cuire avec un peu d'eau.

- ✓ Plus d'eau nécessite plus d'énergie pour la chauffer.

Sélectionnez un niveau de puissance inférieur dès que possible. Sélectionnez un niveau de puissance adapté pour poursuivre la cuisson.

- ✓ Pour une cuisson en cours, un niveau de puissance inférieur est suffisant.

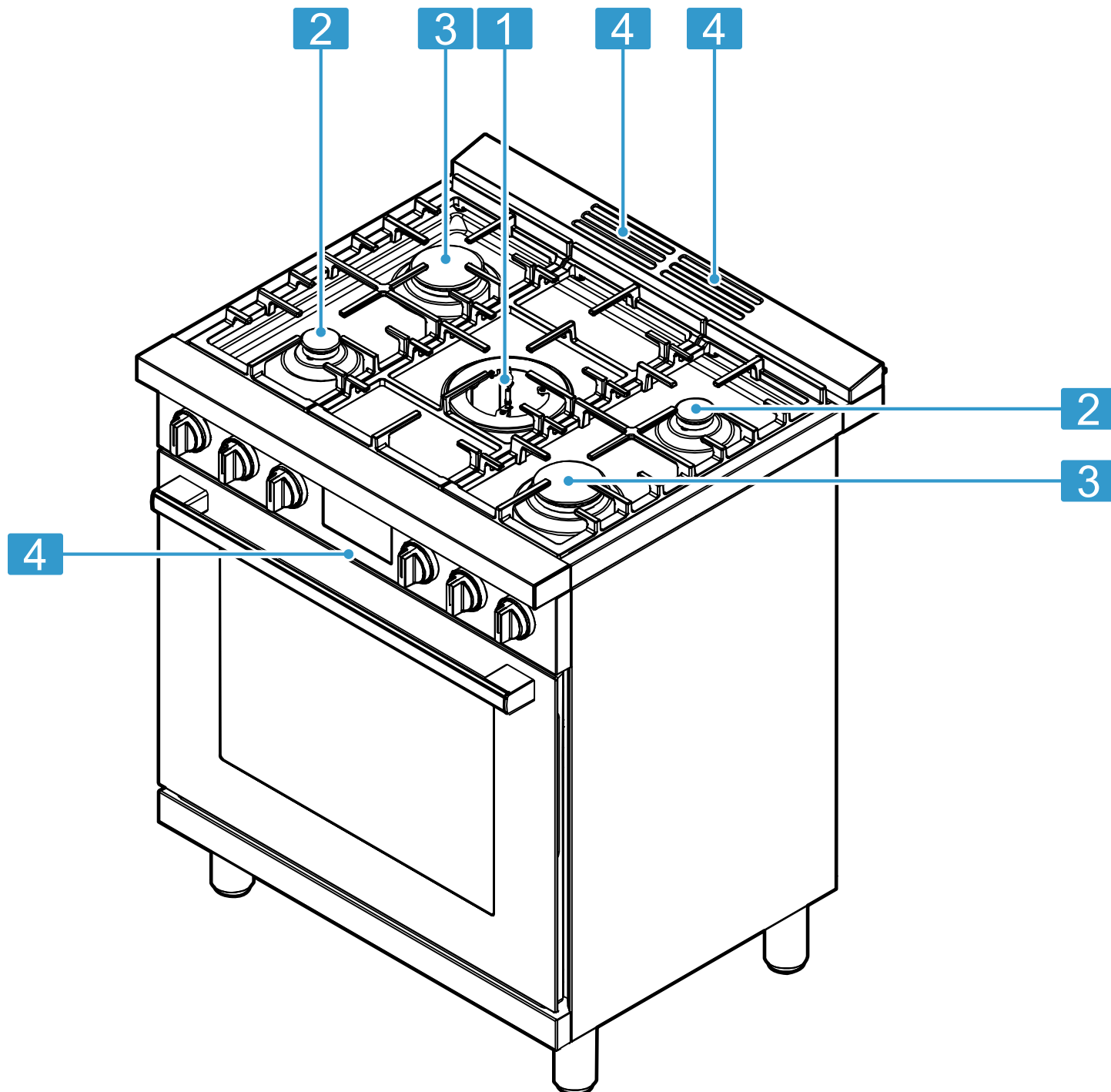
## 4 Description de l'appareil

Ce manuel couvre plusieurs modèles. Votre modèle peut avoir certaines des caractéristiques répertoriées, mais pas toutes.

### 4.1 Électroménager

Cette section contient une vue d'ensemble des composants de votre appareil.

Cuisinière de 30 po



N°	Désignation
1	Brûleur à double flamme (18 000 BTU/5,3 kW)
2	Petit brûleur (5 000 BTU/1,5 kW)

3	Grand brûleur (10 000 BTU/2,9 kW)
4	Évent de four

## Caractéristiques du four

### Ventilateur de refroidissement

Le ventilateur de refroidissement est en marche dans tous les modes de cuisson.


Lorsque le four est en marche, le ventilateur est audible et l'air chaud peut être ressenti par la ventilation du four. Il se peut également que le ventilateur continue de tourner après que le four a été éteint.

### Indicateur de température

Les barres indicatrices de température indiquent les phases de chauffe ou la chaleur résiduelle dans la cavité du four.

Indicateur de chauffe	L'indicateur de température indique la progression du préchauffage dans la cavité du four. Lorsque toutes les barres sont pleines, le moment optimal pour placer les aliments dans le four est atteint. Dans les réglages de grillage et de nettoyage, les barres sont toutes déjà remplies au début. Les barres ne sont pas remplies pour le type de chauffage doux haut/bas.
Témoin de chaleur résiduelle	Lorsque l'appareil est éteint, l'indicateur de température indique la chaleur résiduelle dans la cavité du four. Une fois la température descendue à environ 140 °F (60 °C), l'indicateur s'éteint.

### Éclairage de four

Votre appareil est équipé d'un éclairage de four. Vous pouvez allumer et éteindre l'éclairage du four en appuyant sur .

### Surfaces dans la cavité du four

La paroi arrière et les parties latérales de la cavité du four sont auto-nettoyantes. Vous pouvez le voir par la surface rugueuse.

Le plancher et le plafond de la cavité du four sont émaillés et ont des surfaces lisses.

## Assemblage du brûleur

### Brûleurs scellés

Votre nouvelle table de cuisson neuve dispose de brûleurs à gaz scellés.

Il n'y a aucune pièce de brûleur à nettoyer, démonter ou régler sous la table de cuisson. Votre table de cuisson a trois tailles de brûleurs différentes : petite, grande et double flamme.

### AVERTISSEMENT

Pour éviter des flambées, ne pas utiliser la table de cuisson sans tous les chapeaux de brûleurs en place et toutes les grilles de brûleur bien positionnées.

### MISE EN GARDE

Pour éviter les brûlures, ne pas toucher aux chapeaux de brûleur ni aux grilles quand ils sont chauds.

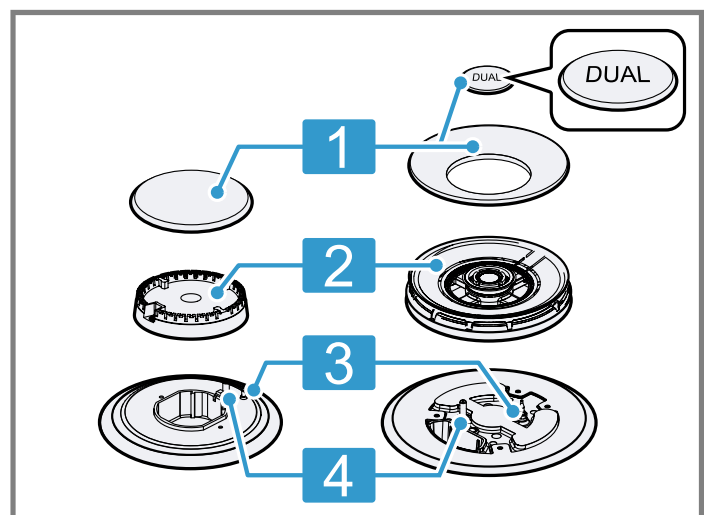
- ▶ Éteindre la table de cuisson et laisser les brûleurs refroidir.

### Remarques

- Il faut que les chapeaux de brûleurs soient correctement positionnés pour le bon fonctionnement de la table de cuisson.
- Si le chapeau du brûleur n'est pas correctement placé, une ou plusieurs des situations suivantes peuvent se produire :
  - La flamme du brûleur est trop élevée
  - Des flammes jaillissent des brûleurs
  - Décolorations de l'acier inoxydable
  - Les brûleurs ne s'allument pas
  - La flamme du brûleur n'est pas uniforme
  - Une odeur de gaz se dégage du brûleur

### Pièces de brûleur

Il faut que les chapeaux de brûleurs soient correctement positionnés pour le bon fonctionnement de la table de cuisson.



**1** Chapeau du brûleur

**2** Base du brûleur

**3** Thermocouple

**4** Allumeur

### Positionnement du chapeau et de la base du brûleur

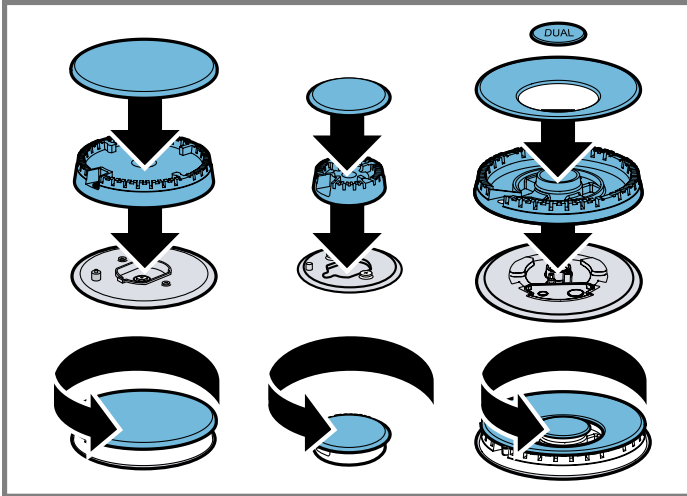
Après avoir terminé le raccordement électrique, déposer chaque base de brûleur à l'endroit correspondant sur la table de cuisson.

Une des trois rainures sur la base du brûleur doit être alignée avec l'encoche pour empêcher son pivotement. Le petit trou ou la petite découpe près du rebord doit aussi être aligné(e) avec l'allumeur. Faire très attention de ne pas endommager l'allumeur lors de l'installation de la base. Voir l'illustration ci-dessous.

Une fois toutes les bases installées et bien appuyées, placer les chapeaux de brûleur sur la base correspondante. Voir l'illustration.

**Remarque :** Ne permutez pas les chapeaux des brûleurs. Ceux-ci affecteront la stabilité de la flamme et rendront le brûleur impossible ou difficile à allumer. Le plus petit chapeau de brûleur marqué « DUAL » doit être utilisé exclusivement sur le brûleur à double flamme. Ne le mettez pas sur le petit brûleur.

Déposer délicatement le chapeau de brûleur sur le dessus de la base de sorte que les pattes de la base soient bien ajustées dans la goulotte du chapeau du brûleur. Si un installateur certifié retire la table de travail (par exemple pour vérifier le raccordement électrique ou les conduites), il faut réinsérer les vis à tête cylindrique large pour assurer le bon fonctionnement des brûleurs.



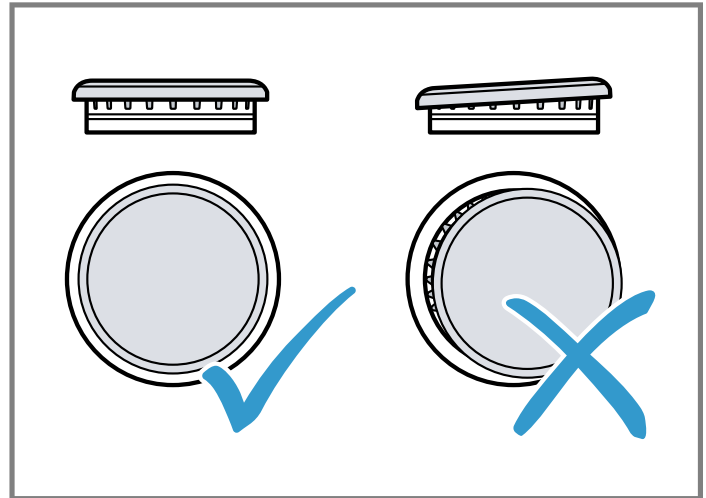
Brûleur	Dimensions du chapeau de brûleur
Brûleur à flamme double	Double intérieur : 1 <sup>3</sup> / <sub>4</sub> po (45 mm) Anneau : 5 <sup>15</sup> / <sub>16</sub> po (150 mm)
Petit brûleur	2 <sup>3</sup> / <sub>16</sub> po (55 mm)
Grand brûleur	3 <sup>15</sup> / <sub>16</sub> po (100 mm)

#### Vérification du positionnement du chapeau du brûleur

S'assurer qu'il n'y a aucun espace entre le chapeau et la base du brûleur.

Consulter l'illustration ci-dessous pour voir un positionnement correct et incorrect du chapeau du brûleur.

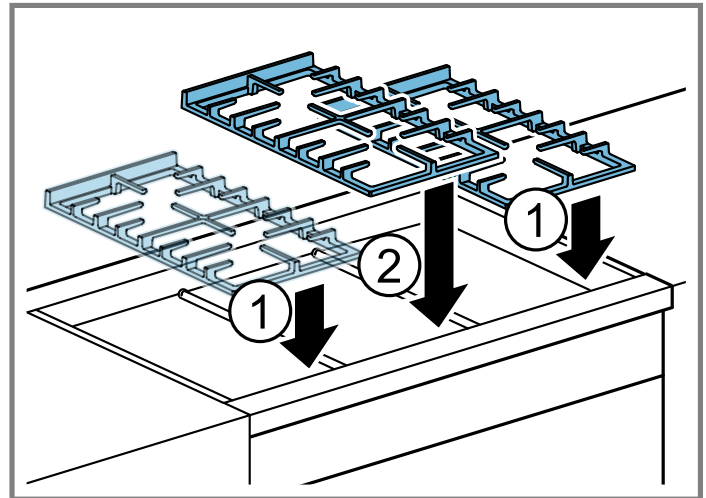
Vous pouvez essayer délicatement de bouger le chapeau du brûleur pour vérifier s'il est correctement positionné. Si tel est le cas, un clic se fera entendre lorsque les pattes du chapeau frapperont la saillie de la goulotte.



#### Installation des grilles

Positionnez d'abord les grilles extérieures, puis la grille centrale.

Si vous n'avez que deux grilles, l'ordre dans lequel vous les positionnez n'est pas important.



#### Panneaux de commande

Le bandeau de commande vous permet de configurer toutes les fonctions de votre appareil et d'obtenir des informations sur son état de fonctionnement.

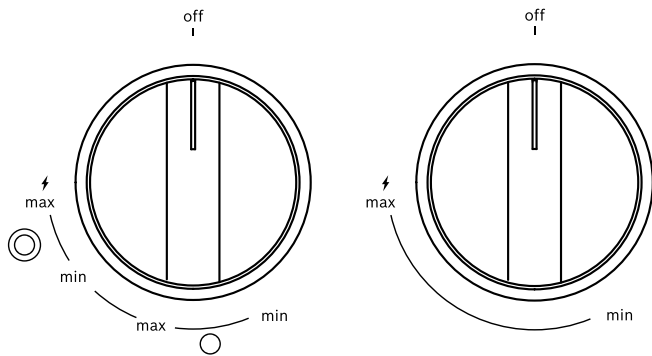
#### Bandeau de commande de la table de cuisson

La table de cuisson dispose d'un bouton de commande par brûleur. Poussez et tournez vers la gauche pour allumer et régler la chaleur sur la température désirée. Une fois que la flamme apparaît, maintenez le bouton enfoncé à fond pendant 2 à 3 secondes avant de relâcher et de régler la flamme.

#### ⚠ AVERTISSEMENT

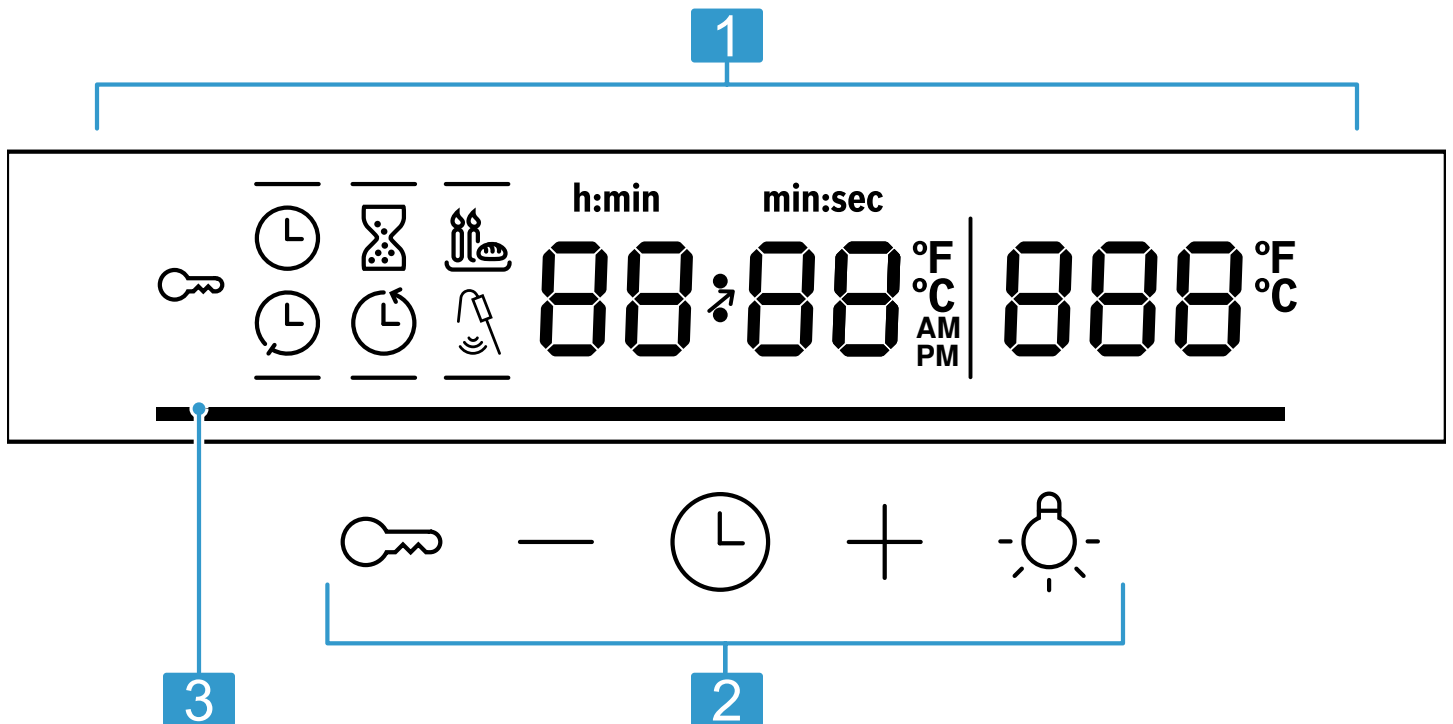
Le fait de ne pas utiliser correctement les boutons peut entraîner des blessures corporelles et des dommages à l'appareil.

La plaque de cuisson est équipée de commandes de brûleur standard.



Symbole	Signification
off	Zone de cuisson désactivée
min	Puissance minimum
max	Puissance maximum
○	Flamme intérieure allumée
◎	Flamme intérieure et extérieure activées
⚡	Position d'allumage recommandée

### Bandeau de commande du four



- 1** Affichage
- 2** Touches tactiles
- 3** Indicateur de température → Page 60

**Remarque :** Il suffit d'appuyer légèrement sur les touches tactiles pour les faire fonctionner.

#### Boutons

Symbole	Signification
🔑	Verrouillage du panneau ou paramètres
—	Moins
🕒	Fonctions temporelles
+	Plus
💡	Éclairage de four

#### Écran

Symbole	Signification
🔑	Verrouillage du panneau
🕒	Clock (Horloge)
🕒	Minuterie de cuisine
🕒	Heure de fin
🕒	Durée
🔥	Mode Sabbat
🍖	Sonde à viande

Symbole	Signification
h : min	Temps donnée en heures et en minutes
min : sec	Temps donnée en minutes et en secondes
AM/PM	Temps

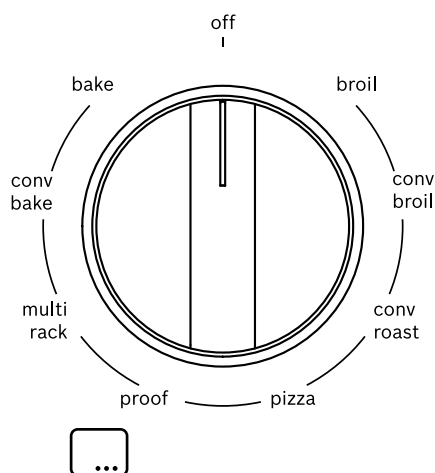
### Boutons de commande

#### **⚠** AVERTISSEMENT

Le fait de ne pas utiliser correctement les boutons peut entraîner des blessures corporelles et des dommages à l'appareil.

### Four

Réglez le type de chauffage souhaité à l'aide du sélecteur rotatif du four.



Position du bouton	Fonction
off	Four éteint
broil	Mise en marche du grillage
conv broil	Mise en marche du gril à convection
conv roast	Mise en marche du rôtissage par convection
pizza	Mise en marche du mode pizza
proof	Mise en marche de l'apprêt
multi rack	Mise en marche du mode multi-rack
conv bake	Mise en marche de la cuisson à convection
bake	Mise en marche de la cuisson

**Pour fonctionner :** sélectionnez le type de chauffage souhaité. Éteignez en faisant tourner le bouton de commande dans le sens horaire.

## 5 Accessoires

Utilisez uniquement des accessoires d'origine. Ils ont été spécialement conçus pour votre appareil. Les accessoires fournis peuvent différer selon le modèle d'appareil.

Accessoires	Utilisation
Grille métallique	Mise en place de moules à gâteaux, plats cuisinés, ustensiles de cuisine, viandes et plats surgelés.
Sonde à viande	Déterminez le degré de cuisson et la température des aliments tels que la viande et la volaille.

### 5.1 Autres accessoires

Vous pouvez acheter des accessoires supplémentaires auprès du service client, de revendeurs spécialisés ou sur Internet.

Vous pouvez trouver une gamme complète de votre appareil sur Internet ou dans nos brochures:

[www.bosch-home.com](http://www.bosch-home.com)

Les accessoires sont spécifiques à l'appareil. Indiquez toujours la description exacte (n ° E) de votre appareil lors de l'achat.

Vous pouvez connaître les accessoires disponibles pour votre appareil dans la boutique en ligne ou auprès du service client.

#### Adaptateur pour poêle wok

Utilisation

- Convient uniquement aux brûleurs à double flamme. Utilisez un ustensile de cuisson à fond arrondi.
- Numéro de commande : HEZ9GW23UC

#### Plaque

Utilisation

- La plaque chauffante permet des repas qui sont généralement cuits dans une poêle à préparer avec une teneur réduite en matières grasses.
- Numéro de commande : HEZ9GR41UC

#### Rail télescopique

Utilisation

- Tirez la grille plus loin sans la faire basculer.
- Numéro de commande : 12029918

#### Côté d'extension du panneau

Utilisation

- Couvercle latéral pour appareils sans éléments de cuisine adjacents.

Numéros de référence :

- acier inoxydable : HEZ9YZ04UC
- acier inoxydable noir : HEZ8YZ04UC

## 5.2 Montage du jeu de rails télescopiques

Les instructions de montage du jeu de rails télescopiques sont fournies avec le jeu.

## 5.3 Insertion des grilles

La grille peut être insérée dans la cavité du four à 6 niveaux différents.

### ⚠ MISE EN GARDE

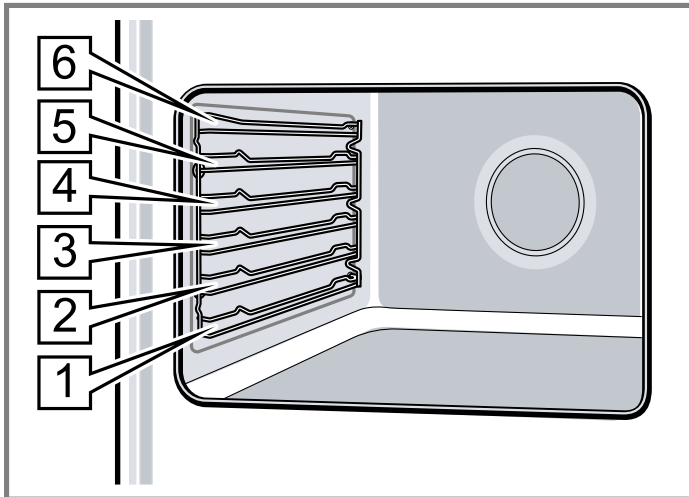
Les grilles du four et les surfaces des cavités du four deviennent très chaudes pendant la cuisson.

- ▶ Placez les grilles du four dans les positions souhaitées avant d'allumer le four.
- ▶ Utilisez toujours des gants de cuisine lorsque le four est chaud.
- ▶ Si une grille doit être déplacée alors que le four est chaud, ne laissez pas les gants de cuisine entrer en contact avec les éléments chauffants chauds.
- ▶ Soyez prudent lorsque vous retirez les grilles du four de la position la plus basse pour éviter tout contact avec la porte chaude du four.

### ⚠ MISE EN GARDE

Pour éviter d'éventuelles blessures ou dommages à l'appareil, assurez-vous que la grille du four est installée exactement selon les instructions d'installation et non vers l'arrière ou à l'envers.

Enfoncez toujours les grilles à fond pour qu'ils ne touchent pas le panneau de porte. Assurez-vous que vous insérez toujours les grilles dans la cavité du four dans le bon sens, et non à l'envers ou retourné.



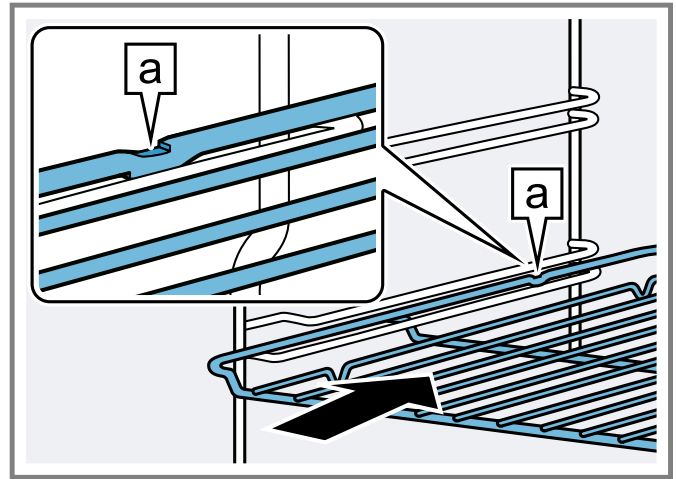
### Grille plate

La grille est conçue avec une butée, de manière à ce qu'elle s'arrête avant de sortir complètement du four.

### Insertion de la grille dans le four

1. Saisissez fermement la grille des deux côtés.

2. Installez la grille.



3. Inclinez la grille vers le haut pour permettre à la butée de glisser sur le guide de grille.
4. Amenez la grille en position horizontale et poussez-la à fond.

La grille doit être droite et de niveau.

### Retirer la grille plate du four

1. Saisissez fermement la grille des deux côtés et tirez-la vers vous.
2. Lorsque la butée est atteinte, inclinez la crémaillère vers le haut et retirez-la complètement.

## 5.4 Plaque

Pour cuire la plupart des aliments sur la plaque chauffante, la surface doit être préchauffée.

La puissance du brûleur peut nécessiter un réglage si la plaque chauffante est utilisée depuis longtemps.

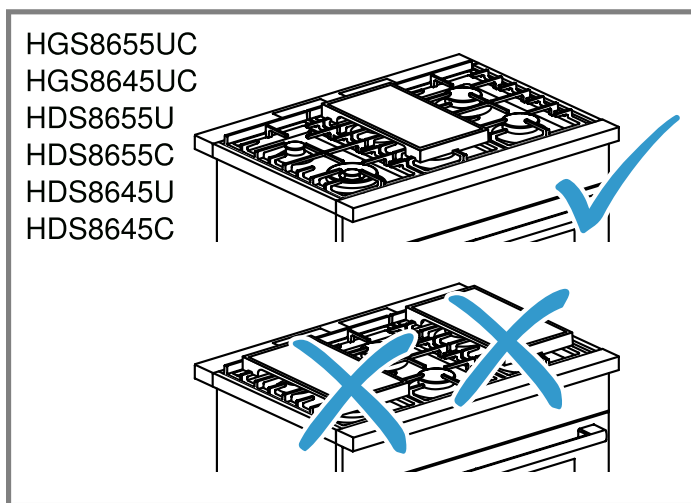
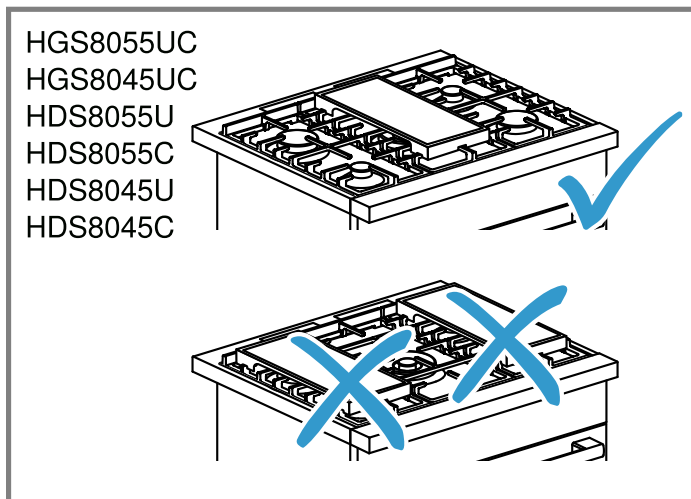
## 5.5 Installation de la plaque

La plaque chauffante est personnalisée pour s'adapter uniquement sur les grilles illustrées ci-dessous.

### ⚠ AVERTISSEMENT

Placer et retirer la plaque chauffante uniquement lorsque toutes les grilles et la plaque chauffante ont refroidi et tous les brûleurs sont éteints.





## 6 Avant d'utiliser pour la première fois

Effectuez ces étapes avant d'utiliser votre appareil.

- L'appareil doit être correctement installé par un prestataire de services qualifié avant l'utilisation.
- Lisez et comprenez toutes les précautions et informations de sécurité → Page 47 dans le manuel avant de l'utiliser.
- Ce manuel couvre plusieurs modèles. Toutes les fonctionnalités ne sont pas disponibles sur tous les modèles.

### 6.1 Avant d'utiliser le four pour la première fois

- Retirez tout le matériel d'emballage et la documentation de la surface de la table de cuisson.
- Essuyer la surface avec une éponge humide et propre puis sécher.
- Il peut y avoir une légère odeur pendant les premières utilisations. Ceci est normal et disparaîtra.
- L'optimisation des résultats de cuisson dépendent de la sélection et de l'utilisation des bons ustensiles de cuisine. Voir « Choisir une batterie de cuisine - Recommandations concernant la batterie de cuisine ».

- Lisez et comprenez toutes les précautions et informations de sécurité dans le manuel avant de l'utiliser.

### Fixer le temps

Une fois l'appareil raccordé à une alimentation électrique, *i2* : *00* se met à clignoter sur l'écran. Réglez l'heure.

1. Utilisez les boutons  $-$  et  $+$  pour régler l'heure de fin requise.
  2. Effleurez le bouton  $\odot$ .
- ✓ L'heure est maintenant réglée.

**Remarque :** Une fois que la période autorisée pour régler l'heure sur l'horloge s'est écoulée, l'heure sera automatiquement enregistrée.

### Préparation du four

1. Retirez les accessoires et les guides de grille de la cavité du four.
2. Retirez complètement les emballages restants, par ex. petits morceaux de polystyrène, de la cavité du four.
3. Retirez le film de protection des pièces.
4. Nettoyez le corps de la machine avec un tissu doux et humide.
5. Nettoyez la cavité du four avec de l'eau chaude savonneuse.

### Pré-nettoyage du four

1. Retirez les accessoires et les guides de grille de la cavité du four.
2. Retirez complètement les emballages restants, par ex. petits morceaux de polystyrène, de la cavité du four.
3. Certaines parties sont recouvertes d'un film protecteur. Retirez ce film protecteur.
4. Nettoyez le corps de la machine avec un tissu doux et humide.
5. Nettoyez la cavité du four avec de l'eau chaude savonneuse.

### Configuration initiale

Afin de prévenir l'excès de fumée et d'odeur provenant de l'extraction des huiles, faites chauffer le four une première fois vide et fermé.

**Remarque :** Assurez-vous qu'il n'y a pas de restes d'emballage, tels que des granulés de polystyrène, dans la cavité du four. Avant de chauffer l'appareil, essuyez les surfaces lisses de la cavité du four avec un chiffon doux et humide. Gardez la cuisine ventilée pendant que l'appareil chauffe.

1. Positionnez le sélecteur de fonction sur **cuire**.
2. Utilisez la touche  $+$  pour régler la température maximale.
3. Éteignez le four au bout d'une heure.
4. Une fois le four refroidi, essuyez-le avec de l'eau chaude savonneuse et replacez les guides de crémaillère.

**Remarque :** Lorsque l'appareil chauffe pour la première fois, il se peut que vous entendiez des craquements provenant du four.

### Re-nettoyage du four

1. Nettoyez la cavité du four avec de l'eau chaude savonneuse.
2. Réinstallez les guides de rack.
3. Si nécessaire, nettoyez les panneaux de porte.

### Nettoyage des accessoires

- ▶ Avant d'utiliser les accessoires, nettoyez-les soigneusement à l'aide d'un chiffon et de l'eau chaude savonneuse.

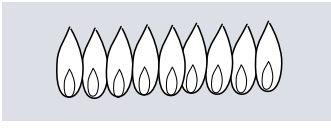
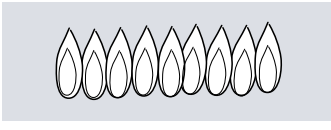
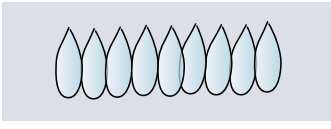
## 6.2 Avant d'utiliser la table de cuisson pour la première fois

- Retirez tout le matériel d'emballage et la documentation de la surface de la table de cuisson.
- Essuyer la surface avec une éponge humide et propre puis sécher.
- Il peut y avoir une légère odeur pendant les premières utilisations. Ceci est normal et disparaîtra.
- L'optimisation des résultats de cuisson dépendent de la sélection et de l'utilisation des bons ustensiles de cuisine.  
→ "Recommandations en matière d'ustensiles de cuisson", Page 71
- Lisez et comprenez toutes les précautions et informations de sécurité dans le manuel avant de l'utiliser.

### Caractéristiques typiques de la flamme

La flamme du brûleur doit être de couleur bleue et stable, sans pointes jaunes, ni bruits excessifs, ni scintillements. Des flammes devraient apparaître autour du chapeau du brûleur.

#### Vérification des caractéristiques de la flamme :

Flammes jaunes : Des ajustements supplémentaires sont nécessaires.	
Pointes jaunes sur les cônes extérieurs : Normal pour le gaz au propane.	
Flammes bleues douces : Normal pour le gaz naturel. Flammes oranges : Peut être normal si certains types d'humidificateurs sont utilisés dans la maison. Les flammes devraient redevenir bleues sans que l'humidificateur soit en marche.	

### Remarque

- Si la flamme est complètement ou presque jaune, vérifiez que le régulateur est réglé avec le bon carburant. Recommencez le test après le réglage.
- Des stries jaunes sont normales lors de la première mise en service. Laissez l'appareil fonctionner pendant 4 à 5 minutes et réévaluez la situation avant d'effectuer les réglages.
- Des particules étrangères dans la conduite de gaz peuvent provoquer une flamme orange lors de la première utilisation. Cela devrait disparaître après quelques temps d'utilisation. Vérifiez le brûleur pour vous assurer que les orifices ne sont pas obstrués. Si les ports sont obstrués.  
→ "Service à la clientèle", Page 93
- Un « bruit sourd » peut se faire entendre lorsque le brûleur est éteint manuellement. Il est possible qu'il soit plus intense avec du gaz au propane qu'avec du gaz naturel. Cela est normal.

## 7 Fonctionnement de la table de cuisson

Vous trouverez ici tout ce que vous devez savoir sur le fonctionnement de votre table de cuisson.

### 7.1 À propos de l'appareil

Utiliser la table de cuisson pour des applications de cuisson sur une surface comme bouillir, frire, mijoter, cuire à la vapeur et sauter.

#### AVERTISSEMENT

La combustion de gaz combustible pour la cuisson peut générer de faibles quantités de monoxyde de carbone, de benzène, de formaldéhyde et de suie. Pour minimiser l'exposition à ces substances, les brûleurs doivent être réglés par un installateur ou un organisme agréé pour assurer une combustion adéquate.

- ▶ Pour une bonne ventilation, utilisez une fenêtre ouverte, un ventilateur ou une hotte lorsque vous cuisinez au gaz.
- ▶ Toujours faire fonctionner l'appareil en suivant les consignes de ce manuel.

### 7.2 Fonctionnement

Sélectionnez le bouton de commande approprié, poussez et tournez dans le sens antihoraire jusqu'au réglage de flamme souhaité.

Avec ce mouvement, les étincelles du brûleur et le flux de gaz seront initiés. Maintenez le bouton enfoncé et une fois que la flamme apparaît, maintenez le bouton enfoncé à fond pendant 2 à 3 secondes avant de relâcher et de régler la flamme.

Fermer le brûleur en tournant le bouton de commande en sens horaire à arrêt (off).

## Remarques

- Il est normal que des étincelles apparaissent sur tous les brûleurs.
- Le symbole ⚡ sur les boutons de contrôle indique la position préconisée pour l'allumage du brûleur.

## 7.3 En cas de panne de courant

En cas de panne de courant, les brûleurs peuvent être allumés par une autre source de flamme. Tenez une source de flamme allumée à côté des orifices de sortie de gaz du brûleur, tourner le bouton correspondant en position max, et retirez la source de flamme immédiatement après l'allumage du brûleur.

## 7.4 Système de sécurité anti-flamme

Votre cuisinière est équipée d'un système de sécurité qui coupe le flux de gaz en cas d'extinction de la flamme par accident, c'est-à-dire à cause d'un fort courant d'air ou d'un déversement important - empêchant ainsi une fuite de gaz non brûlé.

Ce système nécessite que le bouton soit complètement enfoncé pendant 2 à 3 secondes jusqu'à ce que le thermocouple soit chauffé par la flamme et maintienne le flux de gaz.

## 7.5 Fonctionnement normal - allumage électronique

Les brûleurs de la table de cuisson s'allument avec des allumeurs électroniques.

Il n'y a aucune flamme pilote. Chaque brûleur dispose de son propre allumeur électronique. Tous les allumeurs sont activés lorsqu'un bouton de commande est enfoncé.

### MISE EN GARDE

Pour éviter toute possibilité de blessure ou d'endommagement de l'électroménager, s'assurer que les grilles sont installées exactement suivant les consignes de montage et non à l'envers ou sens dessus dessous.

Pour un bon fonctionnement, l'allumeur doit être propre et sec.

- Éviter de mouiller ou de laisser tomber des aliments sur l'allumeur.
- Si l'allumeur est mouillé ou sale, il peut produire une étincelle sans toutefois allumer le brûleur ou même continuer à produire des étincelles malgré la présence d'une flamme.

**Remarque :** Si un brûleur ne s'allume pas dans les quatre secondes, éteindre le brûleur. Vérifier si le chapeau du brûleur est bien installé → Page 60. Vérifiez que l'allumeur est propre et sec. Attendez au moins 5 minutes avant d'essayer de rallumer le brûleur. Si un brûleur refuse toujours de s'allumer, consultez la section « Avant d'appeler le service de dépannage ».

## 7.6 Avant la première utilisation

Avant d'utiliser votre nouvelle plaque chauffante, lavez-la dans de l'eau chaude savonneuse, rincez et séchez.

## 7.7 Tirer le meilleur parti de votre appareil

### Suggestions de cuisson pour optimiser les résultats

- Faites bouillir l'eau dans une casserole avec un couvercle à température élevée en utilisant le plus grand brûleur pour optimiser les résultats. Si l'eau bouillante déborde, abaissez la température.
- Pour optimiser les résultats et faites fondre du chocolat ou du beurre et utilisez le plus petit brûleur avec un bain-marie.
- Pour faire mijoter un plat, amenez d'abord les aliments à ébullition. Mélangez correctement pour vous assurer que tout le contenu soit à ébullition puis mettez le couvercle et réduisez la chaleur pour laisser mijoter.
- Quand un plat mijote, on doit voir un peu de vapeur et la surface du liquide doit osciller légèrement.
- Utilisez un couvercle pour maintenir une température de cuisson uniforme et aider à réchauffer les aliments plus rapidement.
- Vérifiez les aliments à l'occasion, pour voir s'il faut abaisser ou hausser la température avec le bouton de commande.
- Il est normal de remuer les aliments à l'occasion.
- Déposez la casserole au centre du brûleur avant de l'allumer.
- Utilisez l'ustensile qui convient.
- Consultez les recommandations de réglage dans le tableau suivant pour connaître les suggestions.

## 7.8 Recommandations de réglages

Vous trouverez ici des recommandations sur la cuisson et un aperçu de différents plats avec des niveaux de chaleur appropriés.

Utilisations	Réglage de chaleur
Bouillir (par ex., de l'eau, du bouillon, etc.)	Élevé
Friture à la poêle, sauter, faire dorer la viande, grande friture	Moyenne élevée
Cuisson sauté, œufs, crêpes, bacon	Moyen
Cuire à la vapeur, braiser	Moyenne faible
Faites fondre du chocolat ou du beurre, faites mijoter des sauces, de la soupe et des ragoûts (par ex., sauce tomate ou alfredo, mijoté de bœuf, etc.)	Faible

## 7.9 Tableau de cuisson au brûleur normal

Le tableau présente l'optimisation des réglages de chaleur pour différents plats.

La température et le temps de cuisson varient en fonction de la quantité et de la température des aliments, et de la composition du plat. Pour cette raison, nous indiquons des

fourchettes de réglages. Essayer d'abord d'utiliser le niveau de chaleur le plus faible. Pendant la cuisson, la chaleur peut être augmentée.

### Boissons

Aliment	Brûleur	Niveau de chaleur Démarrer la cuisson (bouillir, faire fondre, faire revenir, faire frire, etc.)	Niveau de chaleur Démarrer la cuisson (bouillir, faire fondre, faire revenir, faire frire, etc.)
Cidre chaud	Flamme double Grand	Élevé	Moyenne faible
Chocolat chaud	Flamme double Grand	Moyenne élevée	Faible
Thé	Petit	Élevé	Faible

### Pains

Aliment	Brûleur	Niveau de chaleur Démarrer la cuisson (bouillir, faire fondre, faire revenir, faire frire, etc.)	Niveau de chaleur Démarrer la cuisson (bouillir, faire fondre, faire revenir, faire frire, etc.)
Pain doré	Flamme double Grand	Moyen	Moyenne - Moyenne faible
Crêpes	Flamme double Grand	Moyen	Moyenne - Moyenne faible
Sandwichs grillés	Flamme double Grand	Moyen	Moyenne - Moyenne faible

### Céréales

Aliment	Brûleur	Niveau de chaleur Démarrer la cuisson (bouillir, faire fondre, faire revenir, faire frire, etc.)	Niveau de chaleur Démarrer la cuisson (bouillir, faire fondre, faire revenir, faire frire, etc.)
Haricots	Flamme double Grand	Élevé	Moyenne - Moyenne faible
Semoule de maïs/Polenta	Grand	Élevé	Moyenne - Moyenne faible
Gruau de maïs	Grand	Élevé	Moyenne - Moyenne faible
Gruau	Grand	Élevé	Moyenne - Moyenne faible

### Grande friture

Aliment	Brûleur	Niveau de chaleur Démarrer la cuisson (bouillir, faire fondre, faire revenir, faire frire, etc.)	Niveau de chaleur Démarrer la cuisson (bouillir, faire fondre, faire revenir, faire frire, etc.)
Frites	Flamme double	Moyenne élevée	Moyenne élevée
Beignes	Flamme double	Moyenne élevée	Moyenne élevée

**Desserts**

<b>Aliment</b>	<b>Brûleur</b>	<b>Niveau de chaleur Démarrer la cuisson (bouillir, faire fondre, faire revenir, faire frire, etc.)</b>	<b>Niveau de chaleur Démarrer la cuisson (bouillir, faire fondre, faire revenir, faire frire, etc.)</b>
Garniture pour tarte, compote de fruits	Petit	Moyenne faible	Moyenne - Moyenne faible
Pouding	Petit	Moyenne faible	Moyenne - Moyenne faible
Fruits pochés	Flamme double Grand	Élevée - moyenne élevée	Moyenne - Moyenne faible

**Œufs**

<b>Aliment</b>	<b>Brûleur</b>	<b>Niveau de chaleur Démarrer la cuisson (bouillir, faire fondre, faire revenir, faire frire, etc.)</b>	<b>Niveau de chaleur Démarrer la cuisson (bouillir, faire fondre, faire revenir, faire frire, etc.)</b>
Frits	Flamme double Grand	Moyenne élevée	Moyenne faible
Brouillés	Flamme double Grand	Moyenne élevée	Moyenne faible - faible

**Viande, poisson, volaille**

<b>Aliment</b>	<b>Brûleur</b>	<b>Niveau de chaleur Démarrer la cuisson (bouillir, faire fondre, faire revenir, faire frire, etc.)</b>	<b>Niveau de chaleur Démarrer la cuisson (bouillir, faire fondre, faire revenir, faire frire, etc.)</b>
Bacon, galettes à la saucisse	Flamme double	Moyenne élevée	Moyenne - Moyenne faible
Braiser : Viande braisée, bœuf braisé, viande à ragoût	Flamme double	Moyenne élevée	Faible
Cuisson sautée : poulet, poisson	Flamme double	Moyen	Moyenne - Moyenne faible
Friture à la poêle : côtelettes d'agneau, steaks minces, galettes pour hamburger, saucisses en chapelet	Flamme double	Moyenne élevée	Moyen
Mijoter : ragoût de poulet, bœuf en conserve, poisson poché	Flamme double	Élevé	Moyenne faible

**Pâtes**

<b>Aliment</b>	<b>Brûleur</b>	<b>Niveau de chaleur Démarrer la cuisson (bouillir, faire fondre, faire revenir, faire frire, etc.)</b>	<b>Niveau de chaleur Démarrer la cuisson (bouillir, faire fondre, faire revenir, faire frire, etc.)</b>
Tout type	Flamme double Grand	Élevé	Élevé

**Riz**

<b>Aliment</b>	<b>Brûleur</b>	<b>Niveau de chaleur Démarrer la cuisson (bouillir, faire fondre, faire revenir, faire frire, etc.)</b>	<b>Niveau de chaleur Démarrer la cuisson (bouillir, faire fondre, faire revenir, faire frire, etc.)</b>
Riz blanc	Grand	Élevé	Faible
Riz brun	Grand	Élevé	Faible

**Sauces**

<b>Aliment</b>	<b>Brûleur</b>	<b>Niveau de chaleur Démarrer la cuisson (bouillir, faire fondre, faire revenir, faire frire, etc.)</b>	<b>Niveau de chaleur Démarrer la cuisson (bouillir, faire fondre, faire revenir, faire frire, etc.)</b>
Sauce tomates : Marinara, bolognaise	Flamme double	Élevé	Faible
Sauces à base de crème : Alfredo, au fromage	Flamme double	Moyen	Faible
Sauces à base de beurre : Béarnaise, Hollandaise	Grand Petit	Moyen	Faible

**Soupes et bouillons**

<b>Aliment</b>	<b>Brûleur</b>	<b>Niveau de chaleur Démarrer la cuisson (bouillir, faire fondre, faire revenir, faire frire, etc.)</b>	<b>Niveau de chaleur Démarrer la cuisson (bouillir, faire fondre, faire revenir, faire frire, etc.)</b>
Soupe crémeuse	Flamme double Grand	Moyen	Faible
Soupe à base de bouillon	Flamme double Grand	Élevé	Faible
Bouillon : Bœuf, poulet, légumes	Flamme double Grand	Élevé	Faible

**Légumes**

<b>Aliment</b>	<b>Brûleur</b>	<b>Niveau de chaleur Démarrer la cuisson (bouillir, faire fondre, faire revenir, faire frire, etc.)</b>	<b>Niveau de chaleur Démarrer la cuisson (bouillir, faire fondre, faire revenir, faire frire, etc.)</b>
Frais	Grand Petit	Élevé	Moyen
Produits	Grand Petit	Élevé	Moyen

**7.10 Remarque concernant les ustensiles**

Les informations et conseils suivants ont été fournis pour vous aider à économiser de l'énergie et à éviter d'endommager vos ustensiles de cuisine.

**Ustensile de cuisson convenable**

<b>Brûleur</b>	<b>Diamètre recommandé de la base du fond de la casserole</b>
Petit brûleur	5 po - 8 po (127 - 203 mm)

<b>Brûleur</b>	<b>Diamètre recommandé de la base du fond de la casserole</b>
Grand brûleur	7 po - 9 ½ po (178 - 240 mm)
Brûleur à flamme double	7 po - 11 po (178 - 280 mm)

Les poêles d'un diamètre inférieur à 4,7 po (120 mm) ou supérieur à 11,0 po (280 mm) ne doivent pas être utilisées. Si vous utilisez des casseroles plus grandes, celles-ci ne doivent pas dépasser les bords de l'appareil.

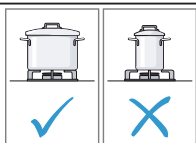
## Recommandations en matière d'ustensiles de cuisson

**Remarque :** Il est possible de percevoir une déformation temporaire de l'acier de la surface de cuisson lorsque vous utilisez certaines casseroles ou poêles. La déformation temporaire est normale et n'influence pas la fonctionnalité de l'appareil électroménager.

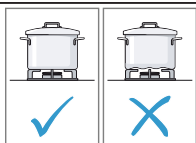
Ustensile de cuisson adéquat

- Les casseroles à fond d'aluminium ou de cuivre conduisent la chaleur de façon uniforme.
- Les casseroles en acier inoxydable sans autres métaux n'offrent pas toujours une cuisson uniforme.
- Les ustensiles de fonte absorbent la chaleur lentement et cuisent plus uniformément à réglage moyen-faible.
- Des casseroles résistantes à fond plat sont stables et distribuent la chaleur uniformément.
- NE PAS UTILISER de casseroles minces, voilées, bosselées ou sillonnées, car elles ne distribuent pas la chaleur uniformément.

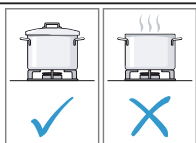
## Informations pour l'utilisation



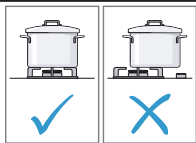
Utilisez des récipients de cuisson de taille appropriée pour le brûleur particulier.  
N'utilisez pas de petits récipients de cuisson sur de gros brûleurs. La flamme ne doit pas entrer en contact avec les parois du récipient de cuisson.



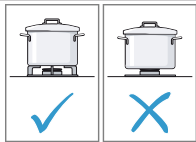
N'utilisez pas de récipients de cuisson déformés qui ne reposent pas solidement sur la table de cuisson. Les récipients pourraient basculer.  
N'utilisez que des récipients de cuisson à fond plat et épais.



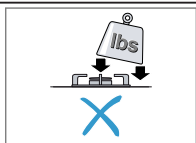
Ne cuisinez pas sans couvercle ou si le couvercle n'est pas complètement en place. La majorité de la chaleur est perdue.



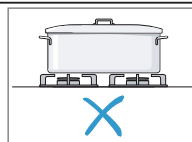
Placez le récipient de cuisson au centre du brûleur, sinon il risque de basculer.  
Ne placez pas de grandes casseroles sur les brûleurs près des commandes du poêle. Ils pourraient surchauffer et s'endommager.



Placez les casseroles sur les supports de casseroles, jamais directement sur les brûleurs.  
Avant utilisation, assurez-vous que les supports de casseroles et les couvercles des brûleurs à gaz sont correctement positionnés.



Manipulez les récipients avec précaution sur la table de cuisson.  
Ne frappez pas la table de cuisson et ne placez pas de poids lourds dessus.



Ne jamais chauffer un récipient de cuisson (p. ex. plat à rôtir, poêle, pierre à cuire) avec plusieurs brûleurs, à l'exception de la plaque chauffante.  
L'accumulation résultante de la chaleur endommage l'appareil.

## 8 Fonctionnement du four

Vous trouverez ici tout ce que vous devez savoir sur le fonctionnement de votre four.

### 8.1 Mise en marche du four

**Remarque :** Gardez toujours la porte de l'appareil fermée lorsqu'il fonctionne.

1. Tournez le sélecteur de fonctions au mode de fonctionnement souhaité.
  - ✓ Une valeur par défaut pour la température ou le réglage du gril s'affiche.
2. Utilisez les boutons + ou - pour régler la température souhaitée ou régler le gril.
  - ✓ Le four s'allume.

### Réglages du gril

Vous devez définir un réglage de gril pour les types de chauffage « gril » et « ébullition par conv ». Vous pouvez choisir les réglages de gril suivants :

---	Minimum
---	Moyen
---	Maximum

### Arrêt du four

- ▶ Tournez le sélecteur de fonctions sur « Arrêt » (OFF).

### 8.2 Options de réglage du temps

#### Réglage de l'horloge électronique

Vous pouvez modifier l'horloge si vous en avez besoin (par exemple pour l'heure d'été). Pour ce faire, le four doit être éteint.

1. Appuyez sur le bouton ⌚ deux fois.
  - ✓ ⌚ s'allume sur l'écran.
2. Modifiez l'heure à l'aide des boutons + et -.
- ✓ Le temps est enregistré automatiquement.

#### Réglage de la minuterie de cuisine



La minuterie de cuisine est une minuterie à compte à rebours qui n'a aucun effet sur le chauffage du four. La durée de la minuterie de cuisine peut être réglée de 30 secondes à 23 heures et 59 minutes.

1. Appuyez sur la touche ⌚.
- ✓ ⌚ s'allume.

2. Utilisez les boutons + et – pour régler l'heure souhaitée de la minuterie.

✓ Un signal sonore retentit une fois le temps écoulé.

#### Remarques

- – Pour modifier le temps restant, appuyez sur le bouton . Utilisez ensuite les boutons + et – pour modifier le temps restant.
- Pour annuler la minuterie de cuisine, appuyez sur le bouton . Réglez ensuite le temps restant à zéro à l'aide des boutons + et –.
- La minuterie de cuisine sera supprimée si la sonde thermique est insérée.

#### Désactivation de la tonalité

▶ Appuyez sur n'importe quel bouton pour désactiver le signal sonore.


**Remarque :** Vous pouvez modifier la durée du signal sonore dans les paramètres de base.

#### Règlage du temps de cuisson

La minuterie du four termine automatiquement un mode de chauffage après une période de temps définie.

1. Réglez le type de mode de cuisson et la température.

✓ Le four démarre.

2. Appuyez sur le bouton  deux fois.


✓  s'allume sur l'écran.

3. Utilisez les boutons + et – pour régler la durée de fonctionnement.

La durée de fonctionnement peut être réglée de 1 minute à 13 heures. Le temps de cuisson peut être réglé par incréments d'une minute jusqu'à une heure, puis par incréments de cinq minutes.

✓ Le temps de cuisson s'écoule à l'écran.

#### Remarques

- Effleurez le bouton  deux fois et utilisez les boutons + et – pour modifier le temps restant.
- Le temps de cuisson sera supprimé si la sonde thermique est insérée.

#### Temps de cuisson écoulé

Un signal sonore retentit. L'appareil électroménager cesse de chauffer.

1. Pour désactiver le signal, appuyez sur n'importe quel bouton ou ouvrez la porte de l'appareil.

Après un court instant, le signal sonore s'arrête automatiquement.


2. Positionnez le sélecteur de fonction sur la position zéro.

#### Réglez l'heure de fin

Avec cette fonction, vous pouvez programmer votre four pour terminer un mode de chauffage à une heure prédéterminée.

1. Réglez le type de mode de cuisson et la température.

✓ Le four démarre.


2. Appuyez sur le bouton  deux fois.

✓  s'allume sur l'écran.

3. Utilisez les boutons + et – pour régler la durée de fonctionnement.

La durée de fonctionnement peut être réglée de 1 minute à 13 heures. Le temps de cuisson peut être réglé par incréments d'une minute jusqu'à une heure, puis par incréments de cinq minutes.

✓ Le temps de cuisson a été réglé.

4. Appuyez sur la touche .

Lorsque le bouton est enfoncé pour la première fois, une valeur est suggérée à l'écran. Cette valeur suggérée est calculée en utilisant l'heure actuelle sur l'horloge et le temps de cuisson.

✓  s'allume sur l'écran.

5. Utilisez les boutons + et – pour régler l'heure de fin requise.

✓ L'écran affiche l'heure de fin. L'appareil passe en mode veille jusqu'à l'heure de démarrage programmée.

**Remarque :** L'heure de fin sera supprimée si la sonde thermique est insérée.

#### Temps de cuisson écoulé

Un signal sonore retentit. L'appareil électroménager cesse de chauffer.

1. Pour désactiver le signal, appuyez sur n'importe quel bouton ou ouvrez la porte de l'appareil.

Après un court instant, le signal sonore s'arrête automatiquement.

2. Positionnez le sélecteur de fonction sur la position zéro.

### 8.3 Sonde à viande à température interne

La sonde à viande mesure la température interne de l'aliment. Vous pouvez régler une température à cœur et le mode de chauffage s'éteint automatiquement dès que la température réglée est atteinte.

#### Réglage de la température interne

1. Insérez la sonde dans la viande comme décrit ci-dessous.


2. Raccordez la sonde à la prise en haut à gauche du compartiment de cuisson.

3. Fermez la porte du four.

✓  s'affiche à l'écran.

4. Tournez le sélecteur de fonctions à « cuire », « cuisson à conv », « multi-grille » ou « rôtissage à conv ».

5. Réglez la température de cuisson avec les boutons + ou –.

6. Appuyez sur  pour passer à la température cible de la sonde thermométrique.

7. Réglez la température cible de la sonde thermométrique avec les boutons + ou – (70 F (20 C) - 195 F (90 C)).

**Remarque :** Si une durée est réglée et que la sonde thermométrique est insérée après, la cuisson se termine lorsque la sonde thermométrique atteint la température souhaitée.



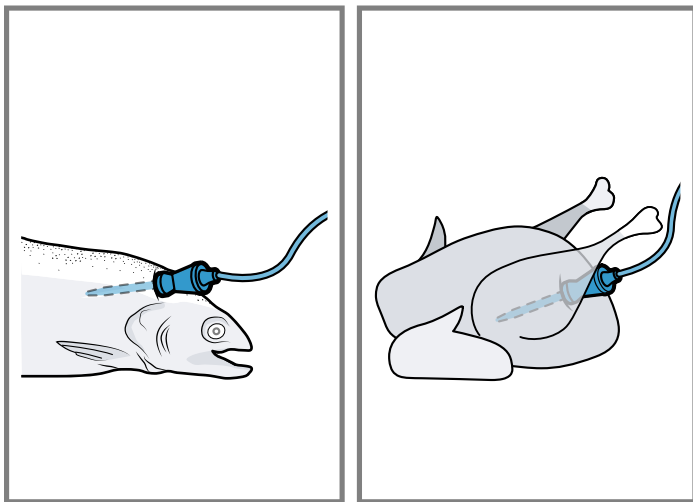
**Conseil**

- La variation pour la température de la sonde est comprise entre 70 F (20 C) et 195 F (90 C).
- Ne rangez pas la sonde dans le four.
- Utilisez toujours la sonde par la poignée pour l'insérer et la retirer.
- Utilisez toujours une manique pour retirer la sonde car elle est chaude.
- Puisque la viande continue à cuire après avoir été sortie du four, réglez la température interne (sonde) de 5 à 10 degrés en dessous de la température finale souhaitée température interne (exception volaille).

**Insérez la sonde à viande dans l'aliment à cuire**

Insérez la sonde à viande dans l'aliment à cuire avant de la placer à l'intérieur du four.

- Introduisez la pointe métallique dans la partie la plus épaisse de l'aliment que vous cuisinez.
- Assurez-vous que l'extrémité de la pointe se trouve plus ou moins au centre.
- Elle ne doit pas être placée dans la graisse et ne doit pas toucher les ustensiles de cuisine ou les os.
- S'il y a plusieurs morceaux, insérez la sonde à viande au milieu du morceau le plus épais.
- Insérez complètement la sonde à viande, si possible. Dans le cas de la volaille, assurez-vous que la pointe de la sonde à viande ne se trouve pas dans la cavité centrale, mais dans la viande entre le ventre et le haut de la cuisse.

**8.4 Mode Sabbath**

Le mode Sabbath permet aux personnes de religions spécifiques d'utiliser leur four le jour du Sabbath. En mode Sabbath, la durée maximum de fonctionnement du four est de 74 heures.


**Réglage du mode Sabbath**

1. Assurez-vous que le mode Sabbath est activé dans les paramètres de base.  
→ "Réglages de base", Page 76
2. Tournez le sélecteur de fonctions sur « cuisson ».

3. Effleurez  quatre fois.


✓  s'affiche à l'écran lors du mode Sabbath .

4. Réglez la température — ou + (100 °F (40 °C) - 450 °F (230 °C)).

5. Appuyez sur .

6. Réglez la durée en utilisant — ou +.

7. Appuyez sur .

✓ Le mode Sabbath est réglé.  apparaît à l'écran, tous les autres symboles d'affichage sont éteints. La lumière du four est éteinte.

**Conseil :** Tournez le sélecteur de fonctions sur « arrêt » (off) pour annuler le mode Sabbath.

**8.5 Verrouillage du panneau**



Le four est doté d'un panneau de verrouillage pour éviter toute mise en marche accidentelle.

Lorsque le verrouillage du panneau est activé, le panneau est verrouillé et le sélecteur de fonction du four est désactivé.



**Remarque :** Si la table de cuisson est utilisée, elle ne sera pas affectée par le verrouillage du panneau du four.

**Activation du panneau de verrouillage**

L'appareil doit être en arrêt.

- ▶ Appuyez et maintenez la touche  enfoncée pendant env. quatre secondes.
- ✓ Le symbole  apparaît à l'écran. Le verrouillage du panneau est maintenant activé.

**Désactivation du panneau de verrouillage**

- ▶ Appuyez et maintenez la touche  enfoncée pendant env. quatre secondes.
- ✓ Le symbole  sur l'écran s'éteint. Le verrouillage du panneau de commande est maintenant désactivé.

**8.6 Tirer le meilleur parti de votre appareil****Papier d'aluminium****⚠ AVERTISSEMENT**

Ne pas utiliser de papier aluminium ou de doublure de protection pour revêtir toute partie de l'appareil électroménager, et en particulier la sole du four.

L'utilisation de ces doublures peut entraîner un risque de choc électrique ou d'incendie.

**Préchauffer le four**

- Mettez les grilles du four dans la position désirée avant de faire chauffer le four.
- Faites toujours préchauffer le four.
- Laissez le four préchauffer pendant la préparation des ingrédients de la recette ou des aliments.
- Si vous augmentez la température du four, vous aurez besoin d'un temps de préchauffage plus long.
- L'indicateur de chauffe affiche l'augmentation de la température dans la cavité du four.  
→ "Indicateur de température", Page 60

- Lorsque le four est préchauffé, un bip sonore retentit pendant 2 secondes.
- Une fois le four préchauffé, placez les aliments dans le four le plus rapidement possible pour minimiser la perte de chaleur et la diminution de la température du four.

### Poêles et plats de cuisson

- Les plats de cuisson en verre absorbent la chaleur. Certains fabricants d'ustensiles de cuisine recommandent de réduire la température de 25 °F lorsque vous utilisez ce type de plat. Respectez les recommandations du fabricant.
- Les plaques à biscuits doivent avoir au moins 1 po de dégagement des deux côtés.
- Utilisez des plats adaptés au degré de brunissage désiré. Pour obtenir une croûte tendre, légère et brun doré, utilisez des plats allant au four en métal anodisé ou brillant.
- Les plats foncés, rugueux ou mats (antiadhésifs ou anodisés) absorbent la chaleur et donnent une croûte plus dorée et plus croustillante. Certains fabricants recommandent de réduire la température de 25 °F (14 °C) lorsque vous utilisez ce type de poêle. Respectez les recommandations du fabricant.
- Les plaques à biscuits ou les plats allant au four isolés feront augmenter la durée de cuisson.
- Ne posez pas de gril ou d'autres objets lourds sur la porte ouverte du four.
- Ne rangez pas les poêles vides ou les pierres à pizza dans le four pendant la cuisson, car cela risquerait de modifier le résultat de la cuisson. Rangez les poêles à l'extérieur du four.

### Ouverture de la porte du four

Ouvrez et fermez la porte de l'appareil uniquement en tenant la poignée de porte.  
Pour éviter tout risque de brûlure, ne touchez aucune autre partie de la porte. Ouvrez la porte aussi brièvement que possible pour éviter toute baisse de température. Utilisez la lumière intérieure du four pour voir les aliments à travers la fenêtre du four plutôt que d'ouvrir la porte fréquemment.

### Cuisson à haute altitude

À haute altitude, les recettes et les temps de cuisson peuvent varier.  
Pour des renseignements plus précis, écrire au Service de vulgarisation de la Colorado State University, à Fort Collins, Colorado 80521. Des frais peuvent être exigés pour l'achat de ces guides de cuisson. Préciser le nom du guide de préparation culinaire à haute altitude que vous désirez : renseignements généraux, gâteaux, biscuits, pains, etc.

### Condensation

Il est normal de voir une certaine quantité de vapeur d'eau s'échapper des aliments lors de la cuisson.

La quantité dépend de la teneur en humidité de l'aliment. L'humidité peut se condenser sur n'importe quelle surface plus froide que la cavité du four, comme par exemple sur le bandeau de commande.

### Cuisson

Le mode Cuisson revient à faire cuire avec de l'air chaud et sec.

Les éléments supérieur et inférieur chauffent à intervalles réguliers pour maintenir la température du four. Le mode Cuisson peut être utilisé pour préparer toute sorte d'aliments, depuis les pâtisseries jusqu'aux plats en casserole. Consultez les conseils de préparation de la recette ou de l'emballage pour connaître les températures et les temps de cuisson.

### Conseil

- Préchauffez le four si la recette le recommande.
- Le temps de cuisson varie selon la taille, la forme et le revêtement de l'ustensile utilisé. Les récipients en métal foncés ou les revêtements antiadhésifs permettent d'obtenir une cuisson plus rapide et un brunissage plus intense. Les ustensiles de cuisson isolants, augmentent la durée de cuisson pour la plupart des aliments.
- Pour de meilleurs résultats, faire cuire les aliments sur une seule grille en laissant 1 - 1 ½ po d'espace minimum entre les ustensiles ou les plats et les parois du four.
- Évitez les pertes de chaleur en vérifiant périodiquement la cuisson des aliments par le hublot du four au lieu d'ouvrir la porte.

### Cuisson à convection

Le mode Cuisson par Convection est similaire au mode Cuisson.

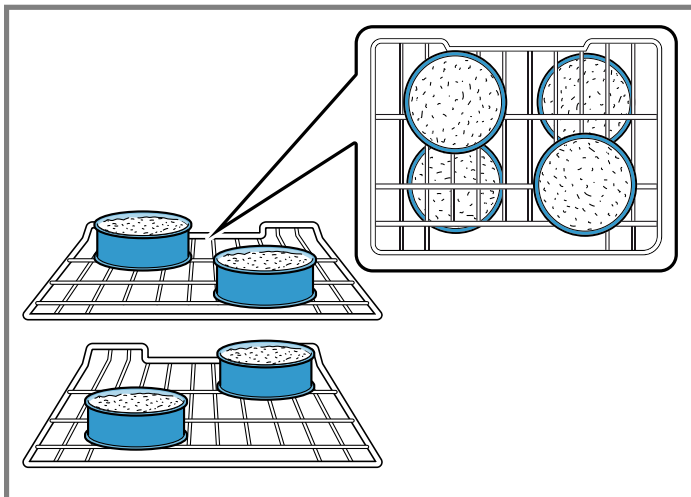
La chaleur provient des éléments chauffants supérieur et inférieur. La principale différence est que la chaleur circule à l'intérieur de la cavité du four grâce au ventilateur à convection. Le mode de Cuisson par Convection est idéal pour la cuisson des gâteaux, des biscuits en barres et des pains pour tirer profit de la chaleur de l'élément inférieur qui donne aux aliments cuits au four une croûte plus savoureuse.

Les avantages du mode Cuisson par Convection sont :

- Une légère diminution de la durée du temps de cuisson.
- Un volume plus élevé (les aliments à base de levure lèvent mieux).

### Conseil

- Mettez les aliments dans des moules peu profonds, non couverts, telles des plaques à biscuit sans rebords.
- Si l'on dispose plusieurs moules sur une même grille, laissez au moins 1 po à 1,5 po (2,5 cm à 3,8 cm) d'espace entre les moules.
- Pour les gâteaux, utilisez les positions 2 et 5. Étagez les moules de manière à ce que l'un ne soit pas placé directement au-dessus de l'autre (voir l'illustration suivante).



### Multi-grille

Le mode Convection Multi-Rack utilise la chaleur diffusée par un troisième élément situé derrière la paroi arrière du four.

La chaleur circule à l'intérieur du four grâce au ventilateur à convection. Le mode Convection multi-grille convient tout particulièrement aux aliments en portions individuelles, tels les biscuits et les biscottines. Il est également efficace pour la cuisson sur plusieurs grilles (2 ou 3) en même temps. La cuisson des biscuits peut se faire sur 5 grilles différentes simultanément. Dans ce cas, le temps de cuisson augmente légèrement.

Les avantages du mode Multi-Rack sont :

- Un brunissage uniforme.
- Des économies de temps provenant de l'utilisation de plusieurs grilles en même temps.

### Conseil

- Mettez les aliments dans des plats peu profonds, non couverts, telles des plaques à biscuit sans rebords.
- Si plus d'un plat cuit sur une grille, laissez environ 1 ½ à 1,5 po (2 à 2,5 cm) d'espace entre les plats. Étagez les plats de manière à ce que l'un ne soit pas placé directement au-dessus de l'autre.

### Fermentation

Le mode Apprêt utilise les éléments inférieurs du four pour faire lever la pâte à pain ou d'autres types de pâtes à base de levure en les maintenant à basse température.

- Aucun préchauffage n'est nécessaire.
- L'apprêt consiste à faire lever la pâte à levure.
- En utilisant le mode apprêt, la température est comprise entre 85 °F (30 °C) et 125 °F (50 °C).
- Couvrez sans serrer le bol ou l'ustensile de cuisson et utilisez une grille adaptée à la taille du contenant.
- Laissez la porte fermée et utilisez l'éclairage du four pour vérifier la levée de la pâte.

### Pizza

En mode Pizza, la chaleur diffusée par les éléments supérieur et inférieur circule dans la cavité du four grâce au ventilateur à convection.

Utilisez le mode Pizza pour les pizzas fraîches ou surgelées.

### Conseil

- Lors de la cuisson d'une pizza surgelée : Pour une croûte croustillante, placez-la directement sur la grille. Pour obtenir une croûte plus molle, utilisez une plaque à pizza.
- Pour apprêter la pâte à pizza, badigeonnez celle-ci d'huile d'olive et mettez-la dans un saladier couvert hermétiquement d'un film plastique pour éviter qu'une croûte ne se forme à la surface.
- Saupoudrez de la semoule de maïs sur la plaque à pizza pour éviter que la pâte n'adhère.
- Si vous utilisez une palette à pizza, saupoudrez généreusement celle-ci de semoule de maïs pour transférer la pâte sur la plaque.
- Si vous faites cuire à blanc une pâte à pizza faites à la main, piquez le fond avec une fourchette avant de la mettre au four.
- Si vous utilisez un moule à pizza, choisissez un moule foncé muni de trous pour obtenir une croûte plus croustillante et un moule non troué pour obtenir une croûte plus molle.
- Faites préchauffer les pierres à pizza au four en suivant les recommandations du fabricant pendant.
- Faites cuire les pizzas maison au centre de la grille et placez celles-ci en position 2.
- Pour les pizzas congelées, observez les recommandations du fabricant.

### Rôtissage par convection

Le mode Rôtisserie à convection utilise la chaleur diffusée par les éléments inférieurs ainsi que la chaleur qui circule dans la cavité grâce au ventilateur à convection.

Le mode Rôtissage Convection est bien adapté à la préparation des coupes de viande tendres et de la volaille. Il convient également au rôtissage de légumes.

Les avantages du mode Rôtissage Convection sont :

- Une cuisson jusqu'à 25 % plus rapide que les modes n'utilisant pas la cuisson par convection.
- Un brunissage riche, doré.

### Conseil

- Il n'est pas nécessaire de préchauffer le four.
- Utilisez la température exacte indiquée sur la recette.
- Vérifiez la cuisson au début car la durée de rôtissage peut être écourtée.
- Ne couvrez pas la viande. N'utilisez pas de sac brunisseur.
- Utilisez un plat à rôtir avec une grille, un lèche frite ou un plat peu profond, à découvert, doté d'une grille pour le rôtissage.
- Utilisez un thermomètre à viande pour déterminer la température interne de celle-ci.
- Si la viande est dorée à votre goût, mais n'est pas encore terminée, du papier d'aluminium peut être placé sur la viande pour éviter la coloration excessive.
- Une fois la viande sortie du four, couvrez-la de papier d'aluminium et laissez reposer de 10 à 15 minutes.

### Gril à convection

Le mode Gril Convection est similaire au mode Gril.

Ce mode allie la chaleur intense diffusée par l'élément supérieur à l'air chaud qui circule sous l'action d'un ventilateur à convection. Le mode Gril Convection (Gril à convection) est bien adapté à la cuisson des coupes de viande épaisses et tendres, de la volaille et du poisson. Le mode Gril Convection (Gril à convection) n'est pas recommandé pour le brunissage des pains, des plats en casserole et autres aliments. Utilisez toujours le mode Gril Convection avec la porte fermée. Outre les avantages de la cuisson au gril normale, le mode Gril Convection (Gril à convection) est plus rapide.

#### Conseil

- Préchauffez le four pendant 3 à 4 minutes. Ne préchauffez pas plus de 5 minutes.
- Les biftecks et les côtelettes doivent avoir au moins 1 à 1 ½ po d'épaisseur.
- Pour le rôtissage, utilisez un plat à rôtir, un lèche frite ou un plat profond doté d'une plaque-gril en métal.
- Ne recouvrez pas la grille avec du papier d'aluminium. Elle est conçue pour évacuer les graisses et les huiles de la surface de cuisson afin d'éviter la fumée et les éclaboussures.
- Retournez les viandes (autres que le poisson) une fois pendant le temps de cuisson recommandé. Le poisson n'a pas besoin d'être retourné.
- N'utilisez jamais de verre résistant à la chaleur (Pyrex®); il ne supporte pas les températures élevées.

#### Gril

Le Gril utilise la chaleur intense diffusée par l'élément supérieur.

#### Réglages de base

L'appareil peut être réglé en fonction de vos besoins personnels.

#### Liste des réglages de base

Selon les caractéristiques de votre appareil, tous les réglages de base ne sont pas disponibles.

Écran	Fonction	Options
<i>SOUND</i>	Durée du signal à la fin d'un temps de cuisson ou d'une minuterie	<i>10 SEC</i> = env. 10 secondes <i>30 SEC</i> = env. 30 secondes <sup>1</sup> <i>120 SEC</i> = env. 2 minutes
<i>TIME OUT</i>	Temps d'attente jusqu'à ce qu'un paramètre soit appliqué	<i>3 SEC</i> = env. 3 secondes <sup>1</sup> <i>6 SEC</i> = env. 6 secondes <i>10 SEC</i> = env. 10 secondes
<i>TONE</i>	Bouton de tonalité retentit lorsqu'on touche un bouton	<i>NO</i> = arrêt <i>YES</i> = en marche <sup>1</sup>
<i>DISPLAY</i>	Luminosité de l'éclairage de l'écran	<i>1</i> = dim <i>2</i> = moyenne <sup>1</sup> <i>3</i> = lumineux

<sup>1</sup> Réglages d'usine (peut varier selon l'appareil)

Le mode grille convient mieux à la cuisson de morceaux de viande (1 po ou moins), de volaille et de poisson fins et tendres. On peut l'utiliser également pour faire griller le pain et gratiner les plats en casserole. Faites toujours griller les aliments avec la porte fermée.

Les avantages de la cuisson au gril comprennent :

- Une cuisson rapide et efficace.
- Une cuisson sans ajout de graisses ou de liquides.

#### Conseil











- Préchauffez le four pendant 3 à 4 minutes. Ne préchauffez pas plus de 5 minutes.
- Les biftecks et les côtelettes doivent avoir au moins 3/4 po d'épaisseur.
- Badigeonnez le poisson et la volaille de beurre ou d'huile pour éviter qu'ils ne collent.
- Utilisez un lèche frite avec une grille lors de la cuisson au gril.
- Ne recouvrez pas la grille avec du papier d'aluminium. Elle est conçue pour évacuer les graisses et les huiles de la surface de cuisson afin d'éviter la fumée et les éclaboussures.
- Retournez les viandes (autres que le poisson) une fois pendant le temps de cuisson recommandé. Le poisson n'a pas besoin d'être retourné.
- Lorsque vous faites dorer le dessus des casseroles, n'utilisez que des plats en métal ou en vitrocéramique.
- N'utilisez jamais de verre résistant à la chaleur ; il ne supporte pas les températures élevées.

Écran	Fonction	Options
<i>CLOCK</i>	Affiche l'heure de l'horloge	<i>NO</i> = cacher l'horloge <i>12 YH ES</i> = affichage de l'horloge sur 12 heures <sup>1</sup> <i>24 YH ES</i> = affichage de l'horloge sur 24 heures
<i>LIGHT</i>	L'éclairage intérieur est allumé lorsque l'appareil est en fonctionnement	<i>OFF</i> = non <i>ON</i> = oui <sup>1</sup>
<i>COOL FAN</i>	Temps de fonctionnement du ventilateur de refroidissement	<i>284 °F / 140 °C</i> = À plus de 284 °F / 140 °C <sup>1</sup> <i>230 °F / 110 °C</i> = À plus de 230 °F / 110 °C <i>176 °F / 80 °C</i> = À plus de 176 °F / 80 °C <i>140 °F / 60 °C</i> = À plus de 140 °F / 60 °C
<i>FACTORY</i>	Réinitialisez toutes les valeurs aux réglages d'usine	<i>NO</i> = non <sup>1</sup> <i>YES</i> = oui
<i>DEMO</i>	Activez le mode démo. Le mode démo est utilisé pour la démonstration - le four ne chauffe pas réellement en mode démo. Le mode démo ne peut être activé que dans les 5 minutes suivant le raccordement à l'alimentation principale.	<i>OFF</i> = non <sup>1</sup> <i>ON</i> = oui
<i>TEMP Ind</i>	Régler l'unité de température.	<i>FAHRENH</i> = Fahrenheit (°F) <sup>1</sup> <i>CELSIUS</i> = Celsius (°C)
<i>SABBATH</i>	Mode Sabbat disponible	<i>OFF</i> = non <i>ON</i> = oui <sup>1</sup>

<sup>1</sup> Réglages d'usine (peut varier selon l'appareil)

### Modification des réglages de base

Le sélecteur de fonction doit être à la position « Arrêt » (Off).

- Appuyez et maintenez la touche  enfoncée pendant env. 4 secondes. Le premier réglage de base s'affiche à l'écran, par ex. *SOUND*.
  - Appuyez de nouveau sur le bouton  pour modifier le réglage de base.
  - Utilisez les boutons  ou  pour modifier le réglage de base.
  - Appuyez de nouveau sur le bouton  pour enregistrer le réglage de base.
  - Utilisez les boutons  pour accéder au paramètre de base suivant.
  - Utilisez le bouton  ou  pour continuer à travers tous les réglages de base comme décrit ci-dessus et utilisez le bouton  pour sélectionner et modifier les paramètres si nécessaire.
  - Lorsque vous avez terminé, appuyez de nouveau sur le bouton  et maintenez-le enfoncé pendant env. 4 secondes afin de confirmer les réglages. Cela s'applique à tous les réglages de base.
- ✓ Cela s'applique à tous les réglages de base.

### Remarque

- Vous pouvez à nouveau modifier les paramètres de base à tout moment. Le mode démo ne peut être activé que dans les 5 minutes suivant le raccordement à l'alimentation principale.
- Vos modifications des réglages de base seront conservées même après une panne de courant.

## 9 Nettoyage et entretien

Pour que votre appareil reste longtemps opérationnel, nettoyez-le et entretenez-le avec soin.

### 9.1 Nettoyage et entretien – Table de cuisson

Vous pouvez nettoyer l'ensemble la table de cuisson en toute sécurité en l'essuyant avec une éponge et de l'eau savonneuse, en la rinçant puis en l'essuyant. Pour les taches tenaces restantes, respectez les méthodes de nettoyage recommandées ci-dessous.

Recommandations en matière de nettoyage :

- Gardez toujours la zone de l'appareil propre et exempte de matériaux combustibles, d'essence et d'autres vapeurs et liquides inflammables.

- Utilisez toujours le produit nettoyant le plus doux possible pour la tâche à accomplir. Utilisez des éponges ou des chiffons doux et propres ou des essuie-tout.
- Frottez la fini en acier inoxydable dans le sens du grain. Séchez la surface pour éviter les marques d'eau.
- Avant de nettoyer, assurez-vous que les brûleurs sont éteints et que les grilles et les brûleurs aient refroidi.
- Ne nettoyez pas les pièces amovibles de la table de cuisson dans un four autonettoyant ou au lave-vaisselle.
- N'obstruez pas le flux d'air qui se trouve autour des brûleurs de la table de cuisson, de la protection arrière de la cuisinière et de la porte.
- Après le nettoyage, remettez toutes les pièces à la bonne position avant d'utiliser la table de cuisson.
- Pour optimiser le rendement du brûleur, gardez les allumeurs propres et secs.
- Maintenez les ports de l'allumeur propre pour optimiser le rendement du brûleur. Il est nécessaire de nettoyer les ports de l'allumeur après un débordement ou quand le brûleur ne s'allume pas au déclenchement des allumeurs électroniques.
- N'utilisez pas de produit nettoyant inflammable tel que l'essence à briquet.
- N'utilisez pas des nettoyants à base de chlore.
- Commencez toujours par tester les nettoyants sur une petite zone peu visible.

### MISE EN GARDE

Tous les allumeurs produisent une étincelle lorsqu'on allume un brûleur quelconque.

- ▶ Ne touchez pas les brûleurs lorsque la table de cuisson est en cours d'utilisation.

## Lignes directrices de nettoyage

Les produits nettoyants recommandés ci-dessous et à la page suivante indiquent un type et ne signifient pas que nous cautionnons une marque en particulier. Utilisez tous les produits en suivant les instructions de l'emballage.

Pièces/matériel de la table de cuisson	Produits nettoyants suggérés	Recommandations
Base de brûleur / alliage d'aluminium	<ul style="list-style-type: none"> <li>■ Détergent et eau chaude; rincez et séchez soigneusement.</li> <li>■ Brosse à dents à soies de nylon rigides pour nettoyer les ports.</li> <li>■ Produits nettoyants abrasifs : Tampons Brillo®<sup>1</sup> ou S.O.S.®<sup>1</sup>. Rincez et séchez.</li> </ul>	<ul style="list-style-type: none"> <li>■ N'égratignez ou n'abîmez pas les ouvertures de ports.</li> <li>■ Nettoyez les ports avec un fil ou un trombone étiré.</li> <li>■ N'utilisez pas de cure-dents, car ils risquent de casser.</li> <li>■ Ne pas immerger les bases des brûleurs.</li> </ul>
Chapeau du brûleur / Émail vitrifié	<ul style="list-style-type: none"> <li>■ Détergent et eau chaude; rincez et séchez soigneusement.</li> <li>■ Produits nettoyants non abrasifs : omettre l'ammoniaque, Fantastic®<sup>1</sup>, Formula 409®<sup>1</sup>.</li> <li>■ Produits nettoyants légèrement abrasifs : Bon Ami®<sup>1</sup>, Ajax®<sup>1</sup>, Comet®<sup>1</sup>.</li> <li>■ Nettoyants liquides : Bar Keeper's Friend®<sup>1</sup>, Soft Scrub®<sup>1</sup>.</li> <li>■ Nettoyant doux liquide de Bar Keeper's Friend®<sup>1</sup>.</li> <li>■ Remontez, assurez-vous que le capuchon est bien en place sur la base.</li> </ul>	<ul style="list-style-type: none"> <li>■ Les éclaboussures d'aliments acides et très sucrés détériorent l'émail vitrifié.</li> <li>■ Nettoyez immédiatement les salissures dès que l'appareil a assez refroidi pour y toucher.</li> <li>■ N'utilisez pas d'éponge ou de serviette mouillée sur de la porcelaine chaude.</li> <li>■ N'immergez pas les chapeaux des brûleurs.</li> <li>■ Utilisez toujours une pression minimale avec des produits nettoyants abrasifs.</li> <li>■ Sécher soigneusement après le nettoyage.</li> </ul>

<sup>1</sup> Ces marques sont des marques déposées de leurs propriétaires respectifs. Toutes les autres marques sont des marques de BSH Home Appliances Corporation ou ses sociétés affiliées.

Pièces/matériel de la table de cuisson	Produits nettoyants suggérés	Recommandations
Boutons de commandes et manettes	<ul style="list-style-type: none"> <li>■ Détergent et eau chaude; rincez et séchez soigneusement.</li> <li>■ Pour retirer les boutons, tirez vers l'extérieur.</li> </ul>	<ul style="list-style-type: none"> <li>■ Ne faites pas tremper les boutons.</li> <li>■ N'utilisez pas de produits nettoyants abrasifs ou de tampons à récurer comme Bon Ami®<sup>1</sup>, Ajax®<sup>1</sup> ou Comet®<sup>1</sup>. Ils peuvent endommager le fini de façon permanente ou enlever les dessins.</li> </ul>
Finis extérieur / Acier inoxydable	<ul style="list-style-type: none"> <li>■ Produits nettoyants non abrasifs : eau chaude et détergent, Fantastic®<sup>1</sup>, Formula 409®<sup>1</sup>. Rincer et sécher immédiatement.</li> <li>■ Conditionneur pour acier inoxydable Bosch (Numéro de commande : 00576696)</li> <li>■ Agent polissant : Stainless Steel Magic®<sup>1</sup> pour protéger le fini des taches et de la corrosion; améliore l'apparence.</li> <li>■ Taches de calcaire : vinaigre blanc domestique.</li> <li>■ Produits nettoyants légèrement abrasifs : Bon Ami®,<sup>1</sup></li> <li>■ Décoloration par la chaleur : Bar Keepers Friend®<sup>1</sup></li> </ul>	<ul style="list-style-type: none"> <li>■ N'utilisez pas de tampons de laine d'acier. Ils égratigneront la surface.</li> <li>■ L'acier inoxydable résiste à la plupart des taches alimentaires et aux marques de corrosion pourvu que la surface soit propre et protégée.</li> <li>■ Ne laissez jamais de taches alimentaires ou du sel sur de l'acier inoxydable, peu importe la durée de temps.</li> <li>■ Frottez délicatement dans le sens du grain.</li> <li>■ Le chlore ou les composés chlorés contenus dans certains produits nettoyants peuvent oxyder l'acier inoxydable. Vérifiez les ingrédients sur l'étiquette avant d'utiliser le produit.</li> </ul>
Grilles et pont de grille / porcelaine émaillée sur fonte	<ul style="list-style-type: none"> <li>■ Nettoyants non abrasifs : eau chaude et détergent, Fantastic®, Formula 409®<sup>1</sup>. Rincer et sécher immédiatement.</li> <li>■ Produits nettoyants légèrement abrasifs : Bon Ami®<sup>1</sup> ou Soft Scrub®<sup>1</sup>.</li> <li>■ Produits nettoyants pour taches tenaces : tampons métalliques savonneux.</li> <li>■ Vous pourriez aussi nettoyer les grilles de brûleurs dans le lave-vaisselle. Enlevez tous les aliments brûlés avant de déposer les grilles de brûleurs dans le lave-vaisselle. Placez-les dans le panier inférieur du lave-vaisselle et utilisez le détergent à lave-vaisselle recommandé par le fabricant.</li> </ul>	<ul style="list-style-type: none"> <li>■ Les grilles sont lourdes; utilisez-les avec prudence. Déposez sur une surface protégée pour les nettoyer.</li> <li>■ Les boursouffures, les fendillements et les éclats sont courants en raison des températures extrêmes sur les pattes des grilles et des changements rapides de températures.</li> <li>■ Les éclaboussures d'aliments acides et très sucrés détériorent l'émail. Les éclaboussures d'aliments acides et très sucrés détériorent l'émail. Nettoyez immédiatement les salissures dès que l'appareil a assez refroidi pour y toucher.</li> <li>■ Un produit nettoyant abrasif utilisé trop vigoureusement ou souvent peut éventuellement marquer l'émail.</li> <li>■ Ne nettoyez pas la grille dans un four autonettoyant.</li> </ul>
Allumeurs / céramique	<ul style="list-style-type: none"> <li>■ Essuyez délicatement avec un coton-tige trempé dans l'eau ou le Formula 409®<sup>1</sup>.</li> <li>■ Retirez délicatement les salissures à l'aide d'un cure-dent.</li> </ul>	<ul style="list-style-type: none"> <li>■ Évitez les excès d'eau sur l'allumeur. Un allumeur humide empêchera le brûleur de s'allumer.</li> <li>■ Enlevez les éventuelles peluches pouvant subsister après le nettoyage.</li> </ul>

<sup>1</sup> Ces marques sont des marques déposées de leurs propriétaires respectifs. Toutes les autres marques sont des marques de BSH Home Appliances Corporation ou ses sociétés affiliées.

## Saleté brûlée

Pour les salissures tenaces et brûlées, vous pouvez commander un gel nettoyant dans notre boutique en ligne, auprès de votre revendeur spécialisé ou de notre service à la clientèle (référence 00311859). Il convient aux supports de casseroles et à l'évidement en acier inoxydable. Si nécessaire, laissez la saleté tremper pendant la nuit. Suivez les instructions sur l'agent de nettoyage.

### AVIS :

#### DOMMAGES À LA SURFACE

- N'utilisez pas de gel nettoyant sur les pièces du brûleur.

## 9.2 Nettoyage et entretien – Four

Pour éviter les risques d'électrocution, avant de réparer l'appareil, coupez l'alimentation au niveau du panneau de service et verrouillez le panneau pour éviter que l'alimentation ne soit accidentellement activée.

### Nettoyage du four

#### Éviter ces produits de nettoyage

Ne pas utiliser les produits de nettoyage commerciaux tels que Easy Off®. Ils risquent d'abîmer le fini ou les pièces du four.

Le chlore ou les composés chlorés de certains nettoyants sont corrosifs pour l'acier inoxydable. Vérifier les ingrédients sur l'étiquette.

Ne jamais utiliser des tampons à récurer ou des produits de nettoyage abrasifs.

#### Guide de nettoyage de four

Les produits nettoyants recommandés ci-dessous et à la page suivante indiquent un type et ne signifient pas que nous cautionnons une marque en particulier. Utilisez tous les produits en suivant les instructions de l'emballage.

Pièce	Recommandations
Grille plate	Nettoyez à l'eau chaude savonneuse. Rincer soigneusement et sécher, ou frotter doucement avec de la poudre nettoyante ou des tampons remplis de savon comme indiqué.
Rail télescopique	Nettoyez à l'eau chaude savonneuse. Rincer soigneusement et sécher, ou frotter doucement avec de la poudre nettoyante ou des tampons remplis de savon comme indiqué. Évitez d'insérer de la poudre de nettoyage dans les rails télescopiques. Il peut s'avérer nécessaire de lubrifier de nouveau les glissières. Utilisez uniquement des lubrifiants pour haute température de qualité alimentaire pour les lubrifier.

<sup>1</sup> Ces marques sont des marques déposées de leurs propriétaires respectifs. Toutes les autres marques sont des marques de BSH Home Appliances Corporation ou ses sociétés affiliées.

Pièce	Recommandations
Joint de porte	Le joint doit être souple et élastique. Pour garder le joint de porte propre, utilisez une éponge non abrasive et lavez à l'eau tiède.
Verre	Nettoyez avec de l'eau savonneuse ou avec un nettoyant pour vitres. Appliquez le produit Fantastik® <sup>1</sup> ou Formula 409® <sup>1</sup> sur une éponge ou un essuie-tout propre et essuyez-le. Évitez d'utiliser des produits de nettoyage en poudre, des tampons de laine d'acier et des nettoyants pour fours.
Surfaces peintes	Nettoyez à l'eau savonneuse ou appliquez les produits Fantastik® <sup>1</sup> ou Formula 409® <sup>1</sup> sur une éponge propre ou un essuie-tout et essuyer. Évitez d'utiliser des produits de nettoyage en poudre, des tampons de laine d'acier et des nettoyants pour fours.
Surfaces en porcelaine	Essuyez immédiatement les déversements acides comme le jus de fruits, le lait et les tomates avec un chiffon sec quand la surface est assez froide pour être touchée. N'utilisez pas d'éponge ou de chiffon humide sur la porcelaine chaude. Une fois refroidi, nettoyez avec de l'eau chaude savonneuse ou appliquez le nettoyant Bon-Ami® <sup>1</sup> ou Soft Scrub® <sup>1</sup> sur une éponge humide. Rincez et séchez. Pour les taches tenaces, utiliser des tampons savonneux. Il est normal que la porcelaine présente de fines ridules avec l'âge en raison de l'exposition à la chaleur et au sol alimentaire.
Surfaces en acier inoxydable (HGS8.55UC, HDS8.55.)	Ne laissez jamais de taches alimentaires ou du sel sur de l'acier inoxydable, peu importe la durée de temps. Essuyez ou frottez toujours dans la direction du grain. Nettoyez avec une éponge savonneuse puis rincez, séchez, ou essuyez avec le produit Fantastik® <sup>1</sup> ou Formula 409® <sup>1</sup> vaporisé sur un essuie-tout. Protégez et polissez avec le produit Stainless Steel Magic® <sup>1</sup> et un chiffon doux. Protégez et conditionnez avec le conditionneur d'acier inoxydable Bosch (n° de commande 00576696) et un chiffon doux. Ne pas appliquer sur les logos et l'étiquetage. Retirer les traces d'eau avec un chiffon humecté de

<sup>1</sup> Ces marques sont des marques déposées de leurs propriétaires respectifs. Toutes les autres marques sont des marques de BSH Home Appliances Corporation ou ses sociétés affiliées.



Pièce	Recommandations
	vinaigre blanc. Utilisez Bar Keeper's Friend® <sup>1</sup> pour éliminer les traces d'oxydation. Le chlore ou les composés chlorés de certains nettoyants sont corrosif pour l'acier inoxydable. Vérifiez les ingrédients sur l'étiquette.
Surfaces inoxydables noires (HGS8.45UC, HDS8.45.)	Pour les surfaces en acier inoxydable noir et anti-empreintes digitales, utilisez une serviette douce et sèche. Pour les saletés tenaces, utilisez de l'eau tiède diluée avec un savon nettoyant doux non abrasif. N'utilisez jamais de produit à polir pour acier inoxydable.
Plastique et contrôles	Lorsqu'il est refroidi, nettoyez à l'eau savonneuse puis rincez et séchez.
Sonde thermométrique (HDS8..5.)	Essuyez à l'eau savonneuse. Ne plongez pas dans l'eau. Ne lavez pas au lave-vaisselle.
Zones imprimées (mots et chiffres)	N'utilisez pas de nettoyants abrasifs ou de solvants à base de pétrole.

<sup>1</sup> Ces marques sont des marques déposées de leurs propriétaires respectifs. Toutes les autres marques sont des marques de BSH Home Appliances Corporation ou ses sociétés affiliées.

## Nettoyage des surfaces autonettoyantes

### ⚠ MISE EN GARDE

N'utilisez pas de nettoyant pour four sur les surfaces autonettoyantes. Cela endommagera les surfaces.

- ▶ Si le nettoyant pour four entre en contact avec ces surfaces, épongez immédiatement avec de l'eau et un tissu-éponge.
- ▶ Ne frottez pas la surface et n'utilisez pas de produits de nettoyage abrasifs.

1. Utilisez un tissu microfibre avec de l'eau savonneuse pour nettoyer les parties supérieures et inférieures des surfaces auto-nettoyantes.
2. Sélectionnez Multi-Grille, et réglez la température à 550 °F (290 °C).
3. Éteignez l'appareil au bout d'une heure.
4. **Remarque :** La surface auto-nettoyante du panneau arrière doit rester dans la cavité du four.  
Si les surfaces latérales auto-nettoyantes sont particulièrement sales, retirez-les de la cavité du four.  
→ "Comment retirer les guides de grille et les surfaces auto-nettoyantes", Page 81
5. Lavez les surfaces autonettoyantes à l'eau chaude savonneuse.
6. Rincez et séchez les surfaces auto-nettoyantes.
7. Insérez les surfaces auto-nettoyantes dans la cavité du four.

8. Sélectionnez Multi-Grille, et réglez la température à 350 °F (175 °C).
9. Éteignez l'appareil au bout d'une heure.

## Entretien

### Comment retirer les guides de grille et les surfaces auto-nettoyantes

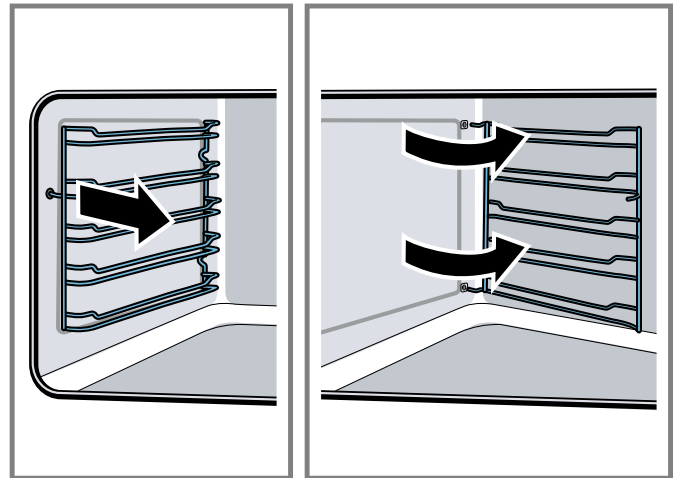
Les guides de grille sont fixés aux panneaux latéraux de la cavité du four en trois points. Les surfaces autonettoyantes sont maintenues par les guides de crémaillère.

### ⚠ AVERTISSEMENT

Les guides de crémaillère et les surfaces auto-nettoyantes deviennent très chauds.

- ▶ Ne touchez jamais les guides de grille et les surfaces auto-nettoyantes lorsqu'ils sont chauds.
- ▶ Toujours laisser l'appareil électroménager refroidir.
- ▶ Gardez les enfants à une distance sécuritaire.

1. Lorsque le four est froid, saisissez l'avant du guide de grille et tirez-le vers le milieu de la cavité du four.  
✓ Le crochet avant du guide de crémaillère sortira du trou.
2. Faites pivoter le guide de grille davantage et retirez-le des trous arrière du panneau latéral.
3. Retirez les guides de grille de la cavité du four.



4. Remplacez les surfaces auto-nettoyantes et les guides de grille dans l'ordre inverse dans lequel ils ont été enlevés.

### Comment retirer la vitre de la porte du four

Pour faciliter le nettoyage, les vitres intérieures de la porte peuvent être enlevées.

### ⚠ AVERTISSEMENT

Les panneaux de verre sont grands, lourds et certaines parties sont fragiles. Si le verre n'est pas saisi fermement et correctement, il y a un risque de blessure ou de dommage à l'appareil.

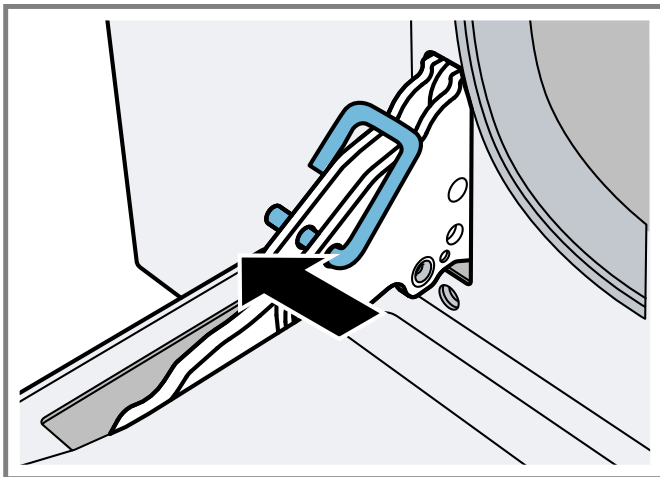
- ▶ Utilisez les deux mains pour retirer le verre.
- ▶ Manipulez-les avec précaution pour éviter des cassures.
- ▶ Ne posez pas le verre enlevé sur des objets pointus ou tranchants, car cela pourrait la briser.

- Posez le verre sur une surface plane et lisse de sorte qu'il ne risque pas de tomber.

**⚠ MISE EN GARDE**

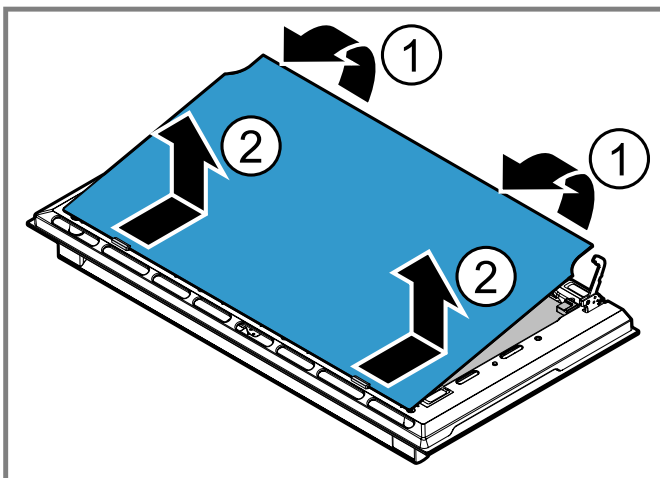
Pour éviter de se couper les doigts sur du verre cassé, portez des gants.

1. Ouvrez complètement la porte du four.
2. Verrouillez les charnières gauche et droite à l'aide de la goupille de verrouillage. Les goupilles de verrouillage doivent être complètement insérées dans les trous des charnières.

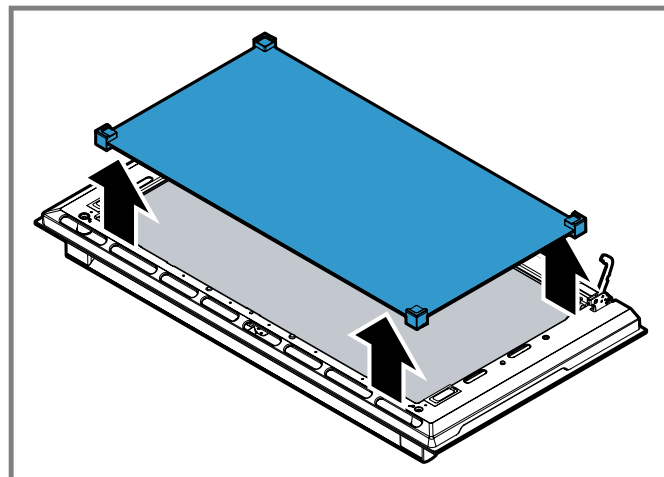


3. **⚠ MISE EN GARDE** Déplacez lentement la vitre pour éviter d'endommager la vitre et le cadre de la cavité du four.

Enlevez la vitre intérieure en tirant doucement la partie arrière vers le haut, tout en suivant le mouvement indiqué par les flèches ①. De cette façon, les 2 premières broches attaché à l'arrière de la vitre se détachent de leurs logements dans la porte du four. Ensuite, poussez légèrement la vitre vers la cavité du four et tirez-la vers le haut ②. De cette façon, les 2 autres broches attaché à l'avant de la vitre se détachent de leurs logements de la porte du four.



4. Retirez la vitre intermédiaire en la soulevant vers le haut.



5. Nettoyez la vitre extérieure et celles retirées précédemment.  
Utilisez du papier absorbant. En cas de saleté tenace, lavez avec une éponge humide et un détergent neutre.
6. Remettez en place le panneau central.  
Assurez-vous que le panneau soit correctement installé. Tous les supports en caoutchouc doivent être posés à plat contre le panneau extérieur.  
✓ Si le symbole Faible-E peut être lu, cela signifie que le panneau central est correctement installé.
7. **⚠ MISE EN GARDE** Ne pas utiliser si la vitre intermédiaire n'est pas correctement remontée.  
Repositionnez la vitre intérieure. Insérez d'abord la partie avant dans les deux clips et les 2 broches à l'avant dans leurs logements. Insérez ensuite les 2 broches à l'arrière dans leurs logements dans la porte du four en appliquant une légère pression.
8. Retirez les goupilles de blocage et fermez la porte du four.

**Comment retirer la porte du four**

**⚠ AVERTISSEMENT**

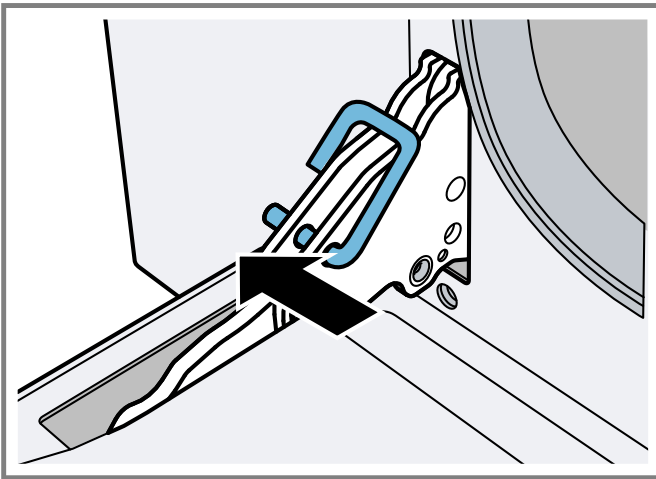
Le non-respect de ces instructions lors du retrait de la porte du four peut entraîner des blessures ou endommager le produit.

- Avant de démonter la porte, s'assurer que le four soit froid et que le courant qui l'alimente a été coupé. Le non-respect de cette précaution pourrait entraîner un choc électrique ou des brûlures.
- La porte du four est lourde et certaines parties sont fragiles. Utilisez les deux mains pour retirer la porte du four.
- Le devant de la porte est en verre. Manipulez-la avec précaution pour éviter des cassures.
- Saisir uniquement les côtés de la porte. Ne saisissez pas la poignée. Il peut osciller dans votre main et provoquer des dommages ou des blessures. Si la porte du four n'est pas saisie fermement et correctement, il y a un risque de blessure ou de dommage à l'appareil.

- ▶ Pour éviter toute blessure causée par l'enclenchement soudain du support de charnière, s'assurer que les deux leviers sont bien enclenchés avant d'enlever la porte.
- ▶ Ne forcez pas la porte pour l'ouvrir ou la fermer. La charnière pourrait être endommagée et provoquer des dommages ou des blessures.
- ▶ Ne pas déposer la porte sur des objets acérés ou pointus, car ils risquent de briser la vitre. Posez-la sur une surface plane et lisse, positionnée de manière à ce que la porte ne puisse pas tomber.

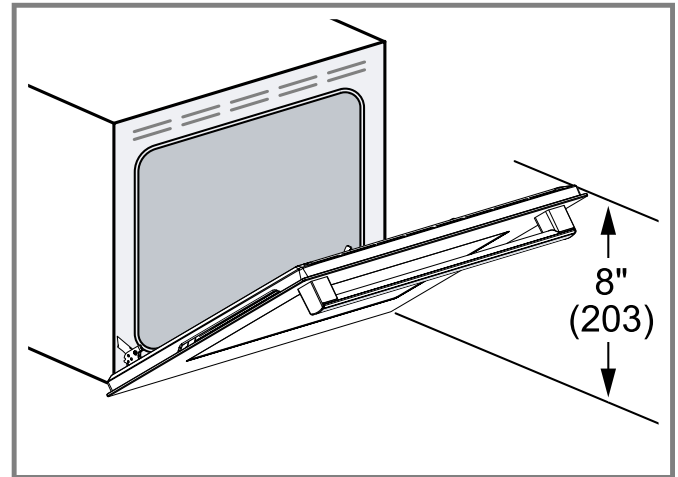
**Remarque :** Pour éviter de vous blesser ou d'endommager l'appareil, lisez attentivement l'AVERTISSEMENT ci-dessus avant d'essayer d'enlever la porte du four.

1. Ouvrez la porte du four dans sa position complètement ouverte.
2. Verrouillez les charnières gauche et droite à l'aide de la goupille de verrouillage. Les goupilles de verrouillage doivent être complètement insérées dans les trous des charnières.



3. **⚠ MISE EN GARDE** La fermeture de la porte de 8 po (203 mm) enlève la pression du ressort. Si cela n'est pas fait, la porte peut toujours être retirée, mais le loquet peut se refermer et vous pincer ou vous couper la main.

Fermez la porte du four jusqu'à ce qu'elle s'enclenche sur les leviers d'arrêt des charnières tout en verrouillant ces dernières selon l'angle correct pour le retrait de la porte. La porte peut être retirée lorsqu'elle est soulevée d'environ 8 pouces (203 mm) de la position ouverte. La tension des charnières à ressort est ainsi relâchée, ce qui permet à la porte de s'ouvrir facilement.



4. La porte est lourde. Utilisez les deux mains pour le saisir fermement par les côtés. Ne saisissez pas la porte par la poignée. En maintenant l'angle de la porte au même niveau, soulevez cette dernière d'environ 3/4 po (19 mm) vers le haut pour décrocher les charnières des fentes. Tirez la porte vers vous jusqu'à ce que les charnières soient dégagées du boîtier du four.
5. Placez la porte dans un endroit pratique et stable pour le nettoyage.
6. Remplacez la porte dans l'ordre inverse dans lequel elle a été retirée.

**Remarque :** Ne jetez pas les goupilles de verrouillage. Gardez-les en lieu sûr. Ils seront nécessaires chaque fois que la porte sera retirée de l'appareil.

### Remplacement d'un éclairage de four

#### **⚠ AVERTISSEMENT**

LORS DU REMPLACEMENT D'UNE LAMPE DU FOUR :

- ▶ Assurez-vous que l'appareil et les lumières sont froids et que l'appareil a été mis hors tension avant de remplacer la ou les ampoules. Le non-respect de cette consigne peut entraîner un choc électrique ou des brûlures.
- ▶ Portez des gants.
- ▶ Les lentilles doivent être en place lors de l'utilisation de l'appareil.
- ▶ Les lentilles servent à protéger l'ampoule de la rupture.

- ▶ Les lentilles sont en verre. Manipulez les lentilles avec précaution pour éviter de les endommager. Le verre brisé peut causer des blessures.
- ▶ La prise de courant est sous tension lorsque la porte est ouverte.

Caractéristiques des ampoules :

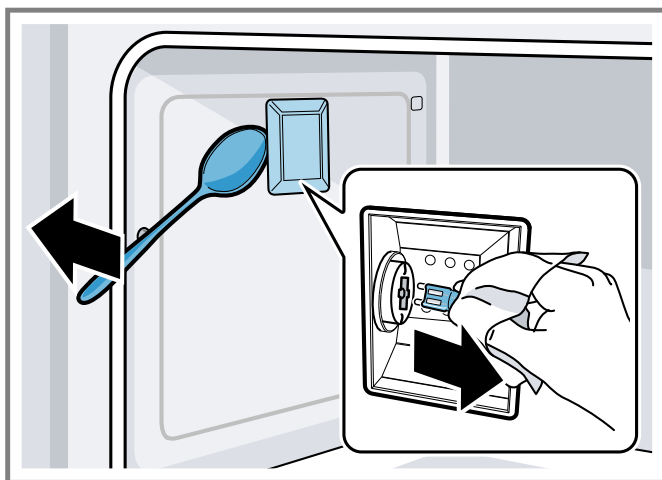
- Voltage : 120 V;
- Puissance : 40 W;
- Ajustement : G9;
- Résistance à la température : 575 °F (300 °C)

#### **Pour changer l'ampoule :**

1. Laissez refroidir le compartiment de cuisson.
2. Ouvrez la porte de l'appareil électroménager.
3. Placez un linge dans la cavité du four pour éviter de l'endommager.
4. Retirez les grilles et les guides de grille.
5. Retirez le couvercle en verre.

Pour ce faire, ouvrez manuellement le couvercle en verre situé à l'avant. Si vous avez de la difficulté à enlever le couvercle en verre, utilisez une cuillère pour vous aider.

6. Retirez l'ampoule du four.



7. Remplacez l'ampoule du four par une ampoule du même type.
8. Remplacez le couvercle en verre de l'ampoule du four.
9. Remplacez les guides de grille et les grilles.
10. Retirez le linge.
11. Réenclenchez le disjoncteur.
12. Vérifiez que l'éclairage du four fonctionne à nouveau.

## 10 Tableaux de cuisson

Les tableaux sont à titre indicatif. Suivez les instructions sur l'emballage ou la recette.

### 10.1 Produits de boulangerie/entrées

Les tableaux sont à titre indicatif. Respectez le mode de préparation de l'emballage ou de la recette.

#### Gâteaux

Aliment	Mode de cuisson recommandé	Température du four en °F (°C)	Préchauffez le four	Nombre de grilles	Position de la grille	Durée en minute	Taille et type de casserole
Gâteau des anges	bake	350 (175)	Oui	Simple	2, 3	45-55	Tube de 10 po (25 cm)
Gâteau des anges	conv bake	325 (160)	Oui	Simple	2, 3	45-55	Tube de 10 po (25 cm)
Bundt® <sup>1</sup>	bake	350 (175)	Oui	Simple	2, 3	55-65	Bundt® <sup>1</sup> 12 tasses
Bundt® <sup>1</sup>	conv bake	325 (160)	Oui	Simple	2, 3	55-65	Bundt® <sup>1</sup> 12 tasses
Cupcakes	bake	375 (190)	Oui	Simple	2, 3	15-20	Moule à muffins de 12 alvéoles
Cupcakes	conv bake	350 (175)	Oui	Simple	2, 3	15-20	Moule à muffins de 12 alvéoles
Cupcakes	multi rack	350 (175)	Oui	Multiple	2 & 4	15-20	Moule à muffins de 12 alvéoles
Ronds de gâteaux	bake	350 (175)	Oui	Simple	2, 3	25-35	Rond de gâteau de 8 po ou 9 po (20 cm ou 23 cm)
4 Ronds de gâteaux	multi rack	325 (160)	Oui	Multiple	2 & 4	25-35	Rond de gâteau de 8 po ou 9 po (20 cm ou 23 cm)
Gâteau en feuille	bake	350 (175)	Oui	Simple	2, 3	30-35	13 po x 9 po x 2 po (33 cm x 23 cm x 5 cm)
Tarte aux pommes	bake	375 (190)	Oui	Simple	2, 3	50-55	Moule à tarte de 9 po (23 cm)

<sup>1</sup> Ces marques sont des marques déposées de leurs propriétaires respectifs. Toutes les autres marques sont des marques de BSH Home Appliances Corporation ou ses sociétés affiliées.

#### Biscuits

Aliment	Mode de cuisson recommandé	Température du four en °F (°C)	Préchauffez le four	Nombre de grilles	Position de la grille	Durée en minute	Taille et type de casserole
Brownies	bake	350 (175)	Oui	Simple	2, 3	30-45	Moule carré de 8 po ou 9 po (20 cm ou 23 cm)

Aliment	Mode de cuisson recommandé	Température du four en °F (°C)	Préchauffez le four	Nombre de grilles	Position de la grille	Durée en minute	Taille et type de casserole
Biscuits aux brisures de chocolat	bake	350 (175)	Oui	Simple	2, 3	9-15	Plaque à biscuits
Biscuits aux brisures de chocolat	multi rack	350 (175)	Oui	Multiple	2 & 4	9-15	Plaque à biscuits
Barres de biscuits	conv bake	350 (175)	Oui	Simple	2, 3	20-35	Moule carré de 8 po ou 9 po (20 cm ou 23 cm)
Biscuits au sucre	bake	375 (190)	Oui	Simple	3	8-12	Plaque à biscuits
Biscuits au sucre	multi rack	350 (175)	Oui	Multiple	2 & 4	8-12	Plaque à biscuits

### Entrées

Aliment	Mode de cuisson recommandé	Température du four en °F (°C)	Préchauffez le four	Nombre de grilles	Position de la grille	Durée en minute	Taille et type de casserole
Plats en casserole	bake	recette	Oui	Simple	2, 3	recette	Plat pour mets en casserole
Quiche	bake	375 (190)	Oui	Simple	2, 3	40-55	Moule à quiche
Soufflé	bake	350 (175)	Oui	Simple	2, 3	35-50	Moule à soufflé
Légumes	conv roast	recette	Non	Simple	2, 3	recette	Plat pour mets en casserole

### Pâtisseries

Aliment	Mode de cuisson recommandé	Température du four en °F (°C)	Préchauffez le four	Nombre de grilles	Position de la grille	Durée en minute	Taille et type de casserole
Choux à la crème	multi rack	350 (175)	Oui	Simple	2, 3	30-40	Plaque à biscuits
Choux à la crème	multi rack	350 (175)	Oui	Multiple	2 & 4	35-45	Plaque à biscuits
Pâte feuilletée	conv bake multi rack	375 (190)	Oui	Simple	2, 3	15-25	Plaque à biscuits

### Tartes

Aliment	Mode de cuisson recommandé	Température du four en °F (°C)	Préchauffez le four	Nombre de grilles	Position de la grille	Durée en minute	Taille et type de casserole
1 croûte de tarte	bake	450 (230)	Oui	Simple	2, 3	10-20	Moule à tarte de 9 po (22 cm)

Aliment	Mode de cuisson recommandé	Température du four en °F (°C)	Préchauffez le four	Nombre de grilles	Position de la grille	Durée en minute	Taille et type de casserole
1 croûte de tarte	conv bake	425 (220)	Oui	Simple	2, 3	10-20	Moule à tarte de 9 po (22 cm)
2 croûtes, fruit	bake	375 (190)	Oui	Simple	2, 3	45-60	Moule à tarte de 9 po (22 cm)
2 croûtes, fruit	conv bake	350 (175)	Oui	Simple	2, 3	45-60	Moule à tarte de 9 po (22 cm)
Produits	bake	400 (205)	Oui	Simple	2, 3	sur l'emballage	Mode de préparation sur l'emballage
Pacane	bake	350 (175)	Oui	Simple	2, 3	45-60	Moule à tarte de 9 po (22 cm)
Citrouille	bake	350 (175)	Oui	Simple	2, 3	40-60	Moule à tarte de 9 po (22 cm)

## Pizza

Aliment	Mode de cuisson recommandé	Température du four en °F (°C)	Préchauffez le four	Nombre de grilles	Position de la grille	Durée en minute	Taille et type de casserole
Pierre à cuisson	bake pizza	500 (260)	Oui	Simple	2	recette	Pierre à cuisson
Frais	pizza	425 (220)	Oui	Simple	1, 2	10-20	Pierre à cuisson, plaque à pizza
Croûte épaisse, congelée	pizza	sur l'emballage	Oui	Simple	sur l'emballage	recette	Mode de préparation sur l'emballage
Croûte mince, congelée	pizza	sur l'emballage	Oui	Simple	sur l'emballage	recette	Mode de préparation sur l'emballage

## Pains éclair

Aliment	Mode de cuisson recommandé	Température du four en °F (°C)	Préchauffez le four	Nombre de grilles	Position de la grille	Durée en minute	Taille et type de casserole
Biscuits	bake	350 (175)	Oui	Simple	3	15-20	Plaque à biscuits
Biscuits	multi rack	325 (160)	Oui	Multiple	2 & 4	15-20	Plaque à biscuits
Pain	bake	375 (190)	Oui	Simple	2, 3	50-60	Moule à pain 8 po x 4 po (20 cm x 10 cm)
Muffins	bake	375 (190)	Oui	Simple	2, 3	18-30	Moule à muffins de 12 alvéoles
Muffins	conv bake	350 (175)	Oui	Simple	2, 3	18-30	Moule à muffins de 12 alvéoles

Aliment	Mode de cuisson recommandé	Température du four en °F (°C)	Préchauffez le four	Nombre de grilles	Position de la grille	Durée en minute	Taille et type de casserole
Muffins	multi rack	350 (175)	Oui	Multiple	2 & 4	20-35	Moule à muffins de 12 alvéoles

### Pains à la levure

Aliment	Mode de cuisson recommandé	Température du four en °F (°C)	Préchauffez le four	Nombre de grilles	Position de la grille	Durée en minute	Taille et type de casserole
Petits pains	bake	350 (175)	Oui	Simple	2, 3	15-30	Plaque à biscuits
Petits pains	multi rack	325 (160)	Oui	Multiple	2 & 4	20-35	Plaque à biscuits
Pain	conv bake multi rack	400 (205)	Oui	Simple	2, 3	25-40	Moule à pain 9 po x 5 po (23 cm x 13 cm)
Viennoiseries	conv bake multi rack	350 (175)	Oui	Simple	2, 3	20-30	Plaque à biscuits
Pain focaccia	bake	450 (230)	Oui	Simple	2	10-20	Plaque à biscuits

### Aliments congelés

Aliment	Mode de cuisson recommandé	Température du four en °F (°C)	Préchauffez le four	Nombre de grilles	Position de la grille	Durée en minute	Taille et type de casserole
Lasagne	bake	400 (205)	Oui	Simple	1	sur l'emballage	Mode de préparation sur l'emballage

## 10.2 Viandes

Les tableaux sont à titre indicatif. Respectez le mode de préparation de l'emballage ou de la recette. Les temps de rôtissage sont approximatifs et peuvent varier en fonction de la forme de la viande.

**Remarque :** La USDA recommande de mesurer la température interne des aliments à l'aide d'un thermomètre à viande numérique.

### Bœuf

Aliment	Mode de cuisson recommandé	Température du four en °F (°C)	Position de la grille	Température de cuisson interne en °F (°C)	Durée en minute	Nourriture couverte	Temps de repos en min.
Hamburgers, 0,3 lb (0,136 g) chacun	broil	élevée	5	Moyen, 160 (71)	Coté 1: 8; Coté 2: 7	Non	aucun

<sup>1</sup> Préchauffez le four



Aliment	Mode de cuisson recommandé	Température du four en °F (°C)	Position de la grille	Température de cuisson interne en °F (°C)	Durée en minute	Nourriture couverte	Temps de repos en min.
Faux-filet, désossé, 3 - 3,5 lb	conv roast	325 (160) <sup>1</sup>	2, 3	Rosé, 145 (63)	27-31 min/ lb	Non	10-15
Faux-filet, désossé, 3 - 3,5 lb	conv roast	325 (160) <sup>1</sup>	2, 3	Moyen, 160 (71)	30-38 min/ lb	Non	10-15
Croupion, faux-filet, surlonge, désossé, 3 - 4 lb	conv roast	325 (160)	2, 3	Rosé, 145 (63)	18-33 min/ lb	Non	10-15
Steak, 1 po d'épaisseur	broil	élevée	5	Rosé, 145 (63)	Coté 1: 5-8; Coté 2: 4-6	Non	aucun
Filet, 3 - 4 lb (1,4 kg - 1,8 kg)	conv roast	425 (220)	2, 3	Rosé, 145 (63)	15-24 min/ lb	Non	10-15

<sup>1</sup> Préchauffez le four

## Agneau

Aliment	Mode de cuisson recommandé	Température du four en °F (°C)	Position de la grille	Température de cuisson interne en °F (°C)	Durée en minute	Nourriture couverte	Temps de repos en min.
Gigot, désossé, 2 lb - 4,5 lb (900 g - 1,8 kg)	conv roast	325 (160) <sup>1</sup>	2, 3	Rosé, 145 (63)	25-30 min/ lb	Non	10-15
Gigot, désossé, 2 lb - 4,5 lb (900 g - 1,8 kg)	conv roast	325 (160) <sup>1</sup>	2, 3	Moyen, 160 (71)	30-35 min/ lb	Non	10-15
Côtelettes, 1 po d'épaisseur	broil	élevée <sup>1</sup>	5	Rosé, 145 (63)	Coté 1: 4-6; Coté 2: 4-5	Non	10-15
Côtelettes, 1 po d'épaisseur	broil	élevée <sup>1</sup>	5	Moyen, 160 (71)	Coté 1: 5-7; Coté 2: 5-6	Non	aucun

<sup>1</sup> Préchauffez le four

**Porc**

Aliment	Mode de cuisson recommandé	Température du four en °F (°C)	Position de la grille	Température de cuisson interne en °F (°C)	Durée en minute	Nourriture couverte	Temps de repos en min.
Rôti de longe, 2,2 lb - 6,5 lb (0,2 kg - 2,72 kg)	conv roast	350 (175) <sup>1</sup>	2	Moyen, 160 (71)	16-25 min/lb	Non	aucun
Côtelettes, 0,3 - 0,4 lb (0,136 - 0,181 kg)	broil	élevée	5	160 (71)	Coté 1: 8-12; Coté 2: 6-10	Non	aucun
Saucisse, fraîche	broil	élevée	5	170 (75)	Coté 1: 5-7; Coté 2: 4-6	Non	aucun
Filet, 2 lb - 3 lb (900 g - 1,4 kg)	conv roast	425 (220)	2	Moyen, 160 (71)	15-28 min/lb	Non	aucun

<sup>1</sup> Préchauffez le four

**Volaille**

Une dinde farcie exige un temps de cuisson plus long. La température sécuritaire minimum pour une farce de volaille est de 165 °F (75 °C).

Aliment	Mode de cuisson recommandé	Température du four en °F (°C)	Position de la grille	Température de cuisson interne en °F (°C)	Durée en minute	Nourriture couverte	Temps de repos en min.
Poitrines de poulet, avec os	broil	élevée	4	170 (75)	Coté 1: 15-20; Coté 2: 13-18	Non	aucun
Cuisses de poulet, avec os	broil	élevée	4	180 (82)	Coté 1: 12-15; Coté 2: 9-11	Non	aucun
Poulet entier, 3 - 6,6 lb	conv roast	375 (190) <sup>1</sup>	2	180 (82)	15-25 min/lb	Non	aucun
Poulets de Cornouaille, 1 lb - 1,5 lb (450 g - 680 g)	conv roast	350 (175)	2	180 (82)	45-75 min temps total	Non	aucun
Poitrine de dinde, 4 - 8 lb	conv roast	325 (160) <sup>1</sup>	2, 3	180 (82)	17-25 min/lb	Feuille d'aluminium pour éviter le brunissement excessif	aucun

<sup>1</sup> Préchauffez le four

Aliment	Mode de cuisson recommandé	Température du four en °F (°C)	Position de la grille	Température de cuisson interne en °F (°C)	Durée en minute	Nourriture couverte	Temps de repos en min.
Dinde, non farcie, 12 - 19 lb	conv roast	325 (160) <sup>1</sup>	2	180 (82)	7-15 min/ lb	Feuille d'aluminium pour éviter le brunissement excessif	aucun
Dinde, non farcie, 20 - 30 lb	conv roast	325 (160) <sup>1</sup>	2	180 (82)	7-15 min/ lb	Feuille d'aluminium pour éviter le brunissement excessif	aucun

<sup>1</sup> Préchauffez le four

### Fruits de mer

Aliment	Mode de cuisson recommandé	Température du four en °F (°C)	Position de la grille	Température de cuisson interne en °F (°C)	Durée en minute	Nourriture couverte	Temps de repos en min.
Filets de poisson	broil	élevée <sup>1</sup>	4	145 (60)	Coté 1: 11-15; Coté: 11-15	Non	aucun

<sup>1</sup> Préchauffez le four

## 11 Dépannage

Vous pouvez éliminer vous-même les défauts mineurs de votre appareil. Veuillez lire les informations de dépannage avant de contacter le service à la clientèle. Cela peut éviter des frais de réparation inutiles.

### AVERTISSEMENT

Des réparations mal exécutées sont dangereuses.

- ▶ Seuls les prestataires de services agréés doivent réparer l'appareil.

- ▶ Si l'appareil a un problème, appelez le service client.

### AVERTISSEMENT

Les réparations non conformes sont dangereuses.

- ▶ Les réparations de l'appareil ne doivent être effectuées que par des prestataires de services agréés.
- ▶ Seules des pièces de rechange d'origine peuvent être utilisées pour réparer l'appareil.

Défaut	Cause et dépannage
Le(s) brûleur(s) ne s'allument pas ou les allumeurs ne produisent pas d'étincelles.	<p>Le robinet d'arrêt du gaz n'est pas en position « ON (ACTIVÉ) » ou l'alimentation en gaz de la maison est coupée.</p> <ul style="list-style-type: none"> <li>▶ Assurez-vous que la soupape d'arrêt du gaz est en position "ON" et que l'alimentation en gaz de la maison n'est pas coupée.</li> </ul> <p>Les chapeaux de brûleur, les bases de brûleur ou les orifices de brûleur sont obstrués.</p> <ol style="list-style-type: none"> <li>1. Veillez à ce que les capots, les bases et les orifices du brûleur ne soient pas obstrués.</li> <li>2. Dégagez les ports avec un fil ou un trombone déplié s'ils sont bouchés.</li> </ol> <p>Les allumeurs sont sales ou humides.</p> <ul style="list-style-type: none"> <li>▶ Assurez-vous que les allumeurs sont propres et secs.</li> </ul> <p>L'alimentation n'est pas correctement mise à la terre ou a une polarité incorrecte.</p> <ul style="list-style-type: none"> <li>▶ Vérifiez l'alimentation électrique. Elle doit être correctement mise à la terre avec la bonne polarité.</li> </ul> <p>Le cordon d'alimentation de l'appareil n'est pas complètement branché dans la prise de courant ou le disjoncteur s'est déclenché.</p> <ul style="list-style-type: none"> <li>▶ Assurez-vous que le cordon d'alimentation de l'appareil est complètement branché dans la prise de courant et que le disjoncteur ne s'est pas déclenché.</li> </ul>
La flamme du brûleur s'éteint soudainement.	<p>Il y a un courant d'air dans la pièce.</p> <ul style="list-style-type: none"> <li>▶ Assurez-vous qu'il n'y a pas de courant d'air dans la pièce.</li> </ul>
Le ou les brûleurs de la table de cuisson ne démarrent pas correctement ou la flamme s'éteint au niveau du brûleur dès que le bouton est relâché.	<p>Le temps de poussée était trop court ou la poussée était trop douce.</p> <ol style="list-style-type: none"> <li>1. Utilisez la position d'éclairage ⚡ recommandée.</li> <li>2. Poussez complètement le bouton.</li> <li>3. Maintenez-le complètement enfoncé pendant toute la procédure d'allumage.</li> <li>4. Relâcher le bouton après min. 3 à 5 secondes.</li> </ol> <p>Le chapeau du brûleur n'est pas bien positionné.</p> <ul style="list-style-type: none"> <li>▶ Vérifiez le placement correct des chapeaux de brûleur. → "Assemblage du brûleur", Page 60</li> </ul> <p>Saleté ou humidité sur le brûleur, la bougie ou le thermocouple.</p> <ul style="list-style-type: none"> <li>▶ Nettoyez et séchez ces pièces.</li> </ul> <p>Pas assez de gaz dans le tuyau.</p> <ul style="list-style-type: none"> <li>▶ Vérifiez les vannes de gaz principales et le régulateur de pression et assurez-vous que les tuyaux sont purgés de l'air.</li> </ul>
Le petit brûleur ou le brûleur à double flamme ne s'allume pas correctement ou n'est pas stable ou s'éteint.	<p>Les petits chapeaux de brûleurs sont intervertis.</p> <ul style="list-style-type: none"> <li>▶ Vérifiez le placement correct des chapeaux de brûleur. → "Assemblage du brûleur", Page 60</li> <li>▶ Le chapeau de brûleur avec le plus petit diamètre doit toujours être placé au milieu du brûleur à double flamme.</li> <li>▶ Si l'un de vos chapeaux de brûleur porte la mention « DUAL », il doit être placé au milieu du brûleur à double flamme.</li> </ul>

Défaut	Cause et dépannage
Des étincelles apparaissent sur le mauvais brûleur.	Pas de défaut : lors du démarrage d'un brûleur sur tous les brûleurs, des étincelles seront générées.
Les allumeurs s'allument même si les boutons sont en position d'arrêt.	Le raccordement électrique a été activé lors de la première mise sous tension ou reconnecté après une panne. <ul style="list-style-type: none"> <li>▶ Les allumeurs peuvent produire une ou deux étincelles, même si tous les boutons des brûleurs sont en position « OFF (ACTIVÉ) ». Cela est normal.</li> </ul>
L'affichage est figé ou ne répond pas.	Ce problème peut avoir de nombreuses causes. <ol style="list-style-type: none"> <li>1. Vérifiez si la fonction de verrouillage du panneau est active. <ul style="list-style-type: none"> <li>– Désactivez le verrouillage du panneau.  → "Désactivation du panneau de verrouillage", Page 73</li> </ul> </li> <li>2. Si la fonction de verrouillage du panneau n'est pas active : <ul style="list-style-type: none"> <li>– Débranchez l'appareil de l'alimentation électrique à l'aide de l'interrupteur correspondant sur le tableau électrique domestique.</li> <li>– Attendez quelques secondes et rebranchez l'appareil à l'alimentation électrique.</li> </ul> </li> </ol>
Les résultats de cuisson ne sont pas ceux attendus.	Le brûleur de la table de cuisson n'est pas correctement nivelé. <ul style="list-style-type: none"> <li>▶ Vérifiez le niveau du brûleur de la plaque de cuisson pendant l'installation.</li> </ul> <hr/> La batterie de cuisine ne s'adapte pas à la surface utilisée. <ul style="list-style-type: none"> <li>▶ Choisissez une autre surface ou une autre batterie de cuisine.</li> </ul> <hr/> L'ustensile de cuisson n'est pas du type ou de la taille recommandée. <ul style="list-style-type: none"> <li>▶ Voir « Notes concernant les batteries de cuisson » et « Poêles et plats de cuisson ».  → "Tirer le meilleur parti de votre appareil", Page 73</li> </ul>
La porte du four est plus chaude qu'auparavant, une fois que la vitre de la porte du four a été retirée pour le nettoyage.	La vitre de la porte du four n'est pas insérée dans le bon sens. <ul style="list-style-type: none"> <li>▶ Vérifiez si la vitre de la porte du four est insérée dans le bon sens (le symbole faible-E peut être lu).</li> </ul>
La porte du four n'est pas équilibrée.	La vitre intérieure de la porte est manquante ou n'a pas été insérée lors du remontage. <ul style="list-style-type: none"> <li>▶ Vérifiez si la vitre intérieure de la porte est présente ou a été insérée lors du remontage.</li> </ul>
Le ventilateur de refroidissement continue de fonctionner lorsque le four est éteint.	Pas de défaut : Le ventilateur de refroidissement refroidira jusqu'à ce que la température du four atteigne la température choisie dans les réglages. → "Liste des réglages de base", Page 76

## 12 Élimination

### 12.1 Éliminer un appareil usagé

L'élimination dans le respect de l'environnement permet de récupérer de précieuses matières premières.

1. Débranchez la fiche du secteur.
2. Coupez le câble de raccordement secteur.
3. Éliminez l'appareil dans le respect de l'environnement.  
Pour connaître les circuits d'élimination actuels, veuillez vous adresser à votre revendeur ou à votre administration municipale.

## 13 Service à la clientèle

Lors de toute réparation réalisée dans le cadre de la garantie, nous nous assurons que votre appareil est réparé avec des pièces de rechange d'origine par un technicien dûment formé et agréé. Nous utilisons exclusivement des pièces de rechange d'origine lors des réparations.

Pour plus d'informations sur la durée et les conditions de la garantie dans votre pays, consultez nos modalités de garantie auprès de votre détaillant ou sur notre site Web. Si vous contactez le service à la clientèle, indiquez le numéro de modèle (E-Nr.) et le numéro de fabrication (FD) de l'appareil.

USA:

1-800-944-2904

[www.bosch-home.com/us/owner-support/get-support](http://www.bosch-home.com/us/owner-support/get-support)

[www.bosch-home.com/us/shop](http://www.bosch-home.com/us/shop)

CA:  
1-800-944-2904  
www.bosch-home.ca/en/service/get-support  
www.bosch-home.ca/en/service/cleaners-and-accessories

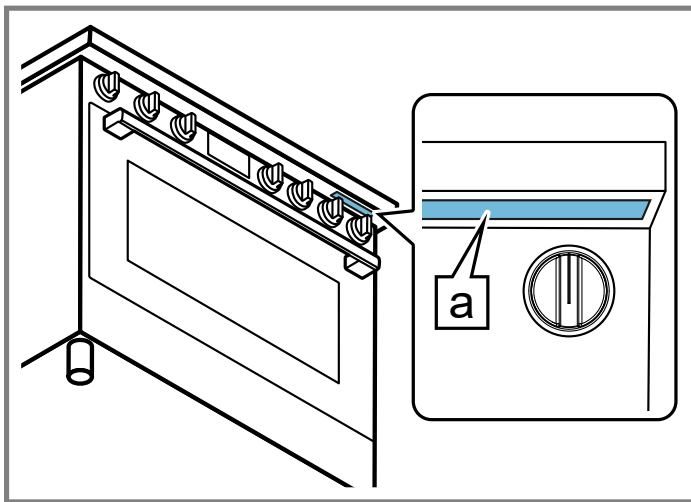
### 13.1 Numéro de modèle (E-Nr.) et numéro de fabrication (FD)

Le numéro de modèle (E-Nr.) et le numéro de fabrication (FD) sont indiqués sur la plaque signalétique de l'appareil. Pour retrouver rapidement les données de votre appareil et le numéro de téléphone du service à la clientèle, n'hésitez pas à les recopier ailleurs.

### 13.2 Emplacement de la plaque signalétique

Vous trouverez la plaque signalétique de votre appareil :

- sur le dessous du panneau de contrôle de projection.
- À l'arrière de l'appareil.



a Plaque signalétique

## 14 ÉNONCÉ DE LA GARANTIE LIMITÉE DU PRODUIT

### 14.1 Couverture de la garantie limitée

La garantie limitée fournie par BSH Home Appliances (« Bosch ») dans cet énoncé de garantie limitée s'applique seulement à l'appareil Bosch qui vous a été vendu (« Produit »), pour autant que le produit ait été acheté :

- Pour une utilisation normale résidentielle (non commerciale), et qu'il a été utilisé en tout temps pour un usage domestique normal.
- Neuf au détail auprès d'un revendeur agréé BSH ou directement auprès de BSH (pas un présentoir, « tel quel », ou un modèle précédemment retourné), et non destiné à la vente ou à un usage commercial.
- Aux États-Unis ou au Canada et qu'il est demeuré en tout temps dans son pays d'achat.

Les garanties aux présentes s'appliquent à l'acheteur original du produit sous garantie et à tout propriétaire successif du produit acheté pour une utilisation résidentielle habituelle et la durée de la garantie. Assurez-vous d'enregistrer votre produit ; bien qu'il ne soit pas nécessaire pour appliquer la garantie, c'est le meilleur moyen pour Bosch de vous informer dans le cas peu probable d'un avis de sécurité ou d'un rappel de produit.

### 14.2 Durée de la garantie

Bosch garantit que le produit est exempt de défauts de matériaux et de fabrication pendant une période de trois cent soixante-cinq (365) jours à compter de la date de livraison initiale. La période susmentionnée commence à partir de la date de livraison et ne doit pas être retenue, retardée, prolongée, ou interrompue pour une raison quelconque. Ce produit est également garanti exempt de défauts **cosmétiques** de matériaux et de fabrication (tels que des rayures sur l'acier inoxydable, des taches de peinture/porcelaine, des éclats, des bosses ou d'autres dommages à la finition) du produit, pendant une période de trente (30) jours à compter de la date de livraison ou de la date de clôture pour les nouvelles constructions. La présente garantie **cosmétique** exclut les variations légères de couleur causées par les différences inhérentes entre les sections peintes et les sections en porcelaine, de même que les différences causées par l'éclairage de la cuisine, l'emplacement du produit et autres facteurs similaires. La présente garantie **cosmétique** exclut spécifiquement tous les appareils en montre, de plancher, « tel quel » et remis à neuf.

### 14.3 Réparation ou remplacement : votre recours exclusif

Pendant cette période de garantie, Bosch ou l'un de ses centres de réparations autorisés réparera gratuitement votre produit (sous réserve de certaines restrictions aux présentes) si celui-ci présente des défauts de matériels ou de fabrication. Si des tentatives raisonnables pour réparer le produit sont vaines, alors Bosch remplacera le produit (un modèle supérieur peut être offert, à la seule discrétion de Bosch, moyennant des frais supplémentaires). Rien dans cette garantie n'exige que les pièces endommagées ou défectueuses soient remplacées par des pièces d'un type ou d'une conception différent de la pièce d'origine. Toutes les pièces ou les composants enlevés demeurent la seule propriété de Bosch. Toute pièce remplacée ou réparée doit être identique à la pièce d'origine aux fins de la présente garantie et la garantie ne sera pas prolongée en regard de telles pièces. La seule responsabilité de Bosch est de faire réparer le produit défectueux uniquement par un centre de réparation autorisé pendant les heures de travail normales. Pour des raisons de sécurité et de dommages matériels, Bosch vous recommande fortement de ne pas essayer de réparer le produit vous-même ou de faire appel à un prestataire de services non agréé ; Bosch décline toute responsabilité en cas de dommages résultant de réparations ou de travaux

effectués par un prestataire de services non agréé. Les centres de réparation autorisés sont les personnes ou les entreprises qui ont été spécialement formées sur les produits Bosch et qui possèdent, selon l'opinion de Bosch, une réputation supérieure pour le service après-vente et la capacité technique (il est à noter qu'elles sont des entités indépendantes et non des agents, partenaires, affiliés ou représentants de Bosch). Néanmoins, le fait de confier l'entretien de votre produit à un atelier de réparation non affilié ou à un revendeur agréé Bosch n'annulera pas cette garantie. De plus, l'utilisation de pièces tierces n'annulera pas cette garantie. Nonobstant ce qui précède, Bosch ne sera pas tenue responsable d'aucune façon si le produit est situé dans une région éloignée (supérieure à 100 miles d'un centre de réparation autorisé) ou n'est pas accessible de façon raisonnable, dans un environnement ou un local dangereux, menaçant ou périlleux; dans une telle éventualité, à la demande du consommateur, Bosch pourrait encore payer les frais de main-d'œuvre et de pièces et expédier les pièces au centre de réparation autorisé le plus près, mais le consommateur serait entièrement responsable pour tous les frais de déplacement et autres frais spéciaux encourus par le centre de réparation, en autant qu'il accepte la demande de réparation. En outre, dans la mesure où vous avez installé le produit dans un endroit difficile d'accès ou si vous avez installé des installations temporaires ou permanentes qui créent des obstacles à l'accès ou au retrait du produit, Bosch n'encourra aucune responsabilité ou n'aura aucune responsabilité pour les travaux ou les coûts associés au déplacement du Produit ou à la création d'un accès au Produit afin de le réparer ou de le remplacer. Tous ces frais seront à votre charge exclusive.

#### 14.4 Produit hors garantie

Bosch n'a aucune obligation, aux termes de la loi ou autrement, d'offrir toute concession, incluant réparation, prorata ou remplacement de produit une fois la garantie expirée.

#### 14.5 Exclusions de garantie

La couverture de garantie décrite dans les présentes exclut tous les défauts ou dommages pour lesquels Bosch serait directement imputable, y compris, sans s'y limiter, l'un ou plusieurs des cas suivants :

- Utilisation du produit autre qu'un usage normal, habituel et de la façon destinée (incluant, sans s'y limiter, toute forme d'utilisation commerciale, d'utilisation ou de rangement d'un produit pour l'intérieur à l'extérieur, d'utilisation du produit de concert avec un transporteur aérien ou marin).
- Mauvaise conduite de toute partie, négligence, mauvaise utilisation, abus, accidents, fonctionnement inadéquat, mauvais entretien, installation inadéquate ou négligente, altération, manquement d'observer les instructions de fonctionnement, mauvaise manipulation,

service non autorisé (incluant réparation par le consommateur ou exploration du fonctionnement interne du produit).

- Réglage, modification ou altération de tout type.
- Non conformité aux normes fédérales, provinciales, municipales ou électriques en vigueur au pays, aux codes de plomberie ou du bâtiment, aux réglementations ou aux lois, incluant le non respect d'installer le produit en stricte conformité avec les codes et les réglementations du bâtiment et d'incendie locaux.
- Bris et usure normaux, déversements d'aliments ou de liquides, accumulations de graisse ou d'autres substances dans, sur ou autour du Produit.
- Toute force ou tout facteur externe, élémentaire et / ou environnemental, incluant sans limitation, la pluie, le vent, le sable, les inondations, les incendies, les coulées de boue, le gel, l'humidité excessive ou l'exposition prolongée à l'humidité, la foudre, les surtensions, les problèmes de structure autour de l'appareil et les désastres naturels.
- Demandes de service visant à corriger l'installation de votre Produit, à obtenir des conseils à propos de son utilisation, à remplacer les fusibles de votre maison ou à réparer l'installation électrique ou la plomberie de votre foyer.
- Retrait et remplacement de la garniture ou des panneaux de décoration qui entravent l'entretien du produit.
- Dommages ou défauts résultant de la main-d'œuvre ou de pièces installées par un centre de réparation non autorisé, à moins d'être approuvé par Bosch avant de procéder à sa réparation.

En aucun cas, Bosch ne sera tenue responsable de dommages survenus à la propriété environnantes, incluant les armoires, les planchers, les plafonds et les autres objets ou structures situés autour du produit. Également exclus de la garantie sont les Produits dont les numéros de série ont été modifiés, effacés ou enlevés; les demandes de réparations pour enseigner le fonctionnement du Produit ou les visites où il n'y a aucun problème avec le produit; la correction de problèmes d'installation (le consommateur est seul responsable pour toute structure et tout réglage du Produit, incluant l'électricité, la plomberie et les autres raccordements nécessaires, pour une fondation / plancher approprié[e], et pour toute modification incluant, sans limitation, armoires, murs, planchers, tablettes, etc.) et le réenclenchement de disjoncteurs ou le remplacement de fusibles.

DANS LA MESURE AUTORISÉE PAR LOI, LA PRÉSENTE GARANTIE PRÉCISE LES RECOURS EXCLUSIFS DONT VOUS DISEPOSEZ À L'ÉGARD DU PRODUIT, QUE LA DEMANDE SOIT FONDÉE SUR UN CONTRAT OU DÉLIT (Y COMPRIS RESPONSABILITÉ ABSOLUE OU NÉGLIGENCE) OU AUTRE. LA PRÉSENTE GARANTIE REMPLACE TOUTES LES AUTRES GARANTIES, EXPRESSES OU IMPLICITES. TOUTES GARANTIES IMPLICITES AUX TERMES DE LA LOI, QUE SE SOIT LES GARANTIES DE QUALITÉ MARCHANDE OU D'APTITUDE À UN USAGE

PARTICULIER, OU AUTRES, SONT LIMITÉES DANS LE TEMPS À LA DURÉE DE CETTE GARANTIE LIMITÉE EXPRESSE. LE FABRICANT NE SERA EN AUCUN CAS RESPONSABLE DE DOMMAGES CONSÉCUTIFS, SPÉCIAUX, ACCESSOIRES, INDIRECTS OU DE « PERTES COMMERCIALES » ET / OU DE DOMMAGES PUNITIFS, DE PERTES OU DE DÉPENSES, Y COMPRIS SANS S'Y LIMITER, ABSENCE DU TRAVAIL, FRAIS D'HÔTEL ET / OU FRAIS DE RESTAURANT, FRAIS DE REMANIEMENT EN EXCÉDENT DES DOMMAGES DIRECTS QUI SONT DÉFINITIVEMENT CAUSÉS EXCLUSIVEMENT PAR BOSCH, OU AUTREMENT. CERTAINS ÉTATS N'AUTORISENT PAS L'EXCLUSION OU LA LIMITATION DE DOMMAGES ACCESSOIRES OU CONSÉCUTIFS, ET CERTAINS ÉTATS N'AUTORISENT PAS LA LIMITATION DE LA DURÉE DES GARANTIES IMPLICITES. PAR CONSÉQUENT, LES EXCLUSIONS OU LES LIMITES SUSMENTIONNÉES POURRAIENT NE PAS VOUS CONCERNER. LA PRÉSENTE GARANTIE VOUS DONNE DES DROITS PRÉCIS RECONNUS PAR LA LOI ET VOUS POUVEZ ÉGALEMENT AVOIR D'AUTRES DROITS QUI VARIENT D'UN ÉTAT À L'AUTRE.

Aucune tentative de modifier, changer ou amender la présente garantie ne peut être valide sans le consentement écrit autorisé par un dirigeant de BSH.

#### **14.6 Obtention du service de garantie**

Pour obtenir le service de garantie de votre produit, vous devez contacter le service client Bosch au 1-800-944-2904 pour planifier une réparation.

#### **14.7 Information sur le produit**

Pour référence pratique, copiez l'information ci-après de la plaque signalétique. Conservez votre facture et/ou vos documents de livraison pour la validation de la garantie.

---

Numéro de modèle  
(E-Nr.)

---

Numéro de  
fabrication (FD)

---

Date de livraison

---











## Register your appliance to enjoy customized benefits.

Thank you for being a Bosch customer!  
Simply create a MyBosch account, then register your appliance.  
You'll find a variety of customized information in MyBosch such as:

- **Discounts for filters, cleaners, accessories & parts**
- **Easy access to manuals & appliance specifications**
- **Easy access to part lists**
- **Customized offer for the Bosch Appliance Service Plan (sent by mail after appliance registration)**

Register here:  
[www.bosch-home.com/us/owner-support/mybosch](http://www.bosch-home.com/us/owner-support/mybosch)

**BOSCH**  
HOME APPLIANCES  
**SERVICE**

## Looking for help? You'll find it here.

No matter what, no matter when: Bosch is here to support you.  
We're here to assist with usage instructions, cleaning tips,  
accessories & parts, troubleshooting, and repairs.  
Find online resources such as FAQs, how-to-videos, manuals,  
warranties and authorized Bosch servicers at:  
[www.bosch-home.com/us/owner-support/get-support](http://www.bosch-home.com/us/owner-support/get-support)

Contact us:  
**Please have your Model Number (E-Nr) ready when contacting us.**  
1-800-944-2904  
[www.bosch-home.com/us/owner-support/contact-us](http://www.bosch-home.com/us/owner-support/contact-us)

**BSH Home Appliances Corporation**  
1901 Main Street, Suite 600  
Irvine, CA 92614  
USA  
[www.bosch-home.com](http://www.bosch-home.com)  
1-800-944-2904  
© 2021 BSH Home Appliances Corporation



**9001639011** (030522)

en-us, fr-ca