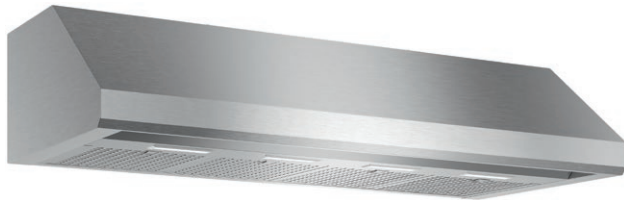


# HMWB481WS

## LOW-PROFILE WALL HOOD WITH BLOWER

### (48-INCH WIDTH)

MASTERPIECE® SERIES



#### FEATURES & BENEFITS

- Masterpiece® Series wall hoods add distinct flair to your kitchen and crafted to complete the ultimate Thermador cooking system
- ★ - Noise Control Technology™ reduces noise while hood is in use
- ★ - Equipped with the Thermador Connected Experience by Home Connect™
  - Stainless Steel
  - Beautiful illumination with multi-level, vivid LED lights

#### ACCESSORIES (OPTIONAL)

16" Tall Duct Cover, 48" Wide	DCT4816W
28" - 65" Tall Duct Cover, 48" Wide	DC48MTW
Built-In Remote Control Panel	
REMCPU - Ability to vertically install on cabinetry or wall to control hood in a convenient location	

#### GENERAL PROPERTIES

##### Features

Cooktop Hood-Sync Enabled, Noise Control Technology™, Multi-Level LED Lights with Fading Transitions, Automatic Mode, Check Filter Reminder Light, Delay Shut-Off

Operating Mode	Ducted
Maximum CFM (blower)	1000 CFM
CFM (HVI)	1000 HS / 360 WS
Sones (HVI)	14 HS / 2.5 WS
Number of Speed Settings	4-Stage
Motor Location	Integrated
Number Of Lights	4
Bulb Type	LED
Light Lumens	100 – 150
Light Color	3500 – 4000 °K
Total Power Of The Lamps	4.8 W
Damper Included	Yes
Grease Filter Material	Washable Stainless Steel
Grease Filter Type	Hybrid Mesh
Home Connect™ (Wi-Fi Enabled)	Yes

#### TECHNICAL DETAILS

Watts	898 W
Current	15 A
Volts	120 V
Frequency	60 HZ
Plug Type	Fixed Connection

#### DIMENSIONS & WEIGHT

Overall Appliance Dimensions (Width Of Canopy Included) (HxWxD)	11" x 47 15/16" x 23 1/8"
Minimum Distance Above Gas / Electric Cooking Surface	30" / 30"
Diameter of Air Duct Top	10"
Diameter of Air Duct Back	N/A
Net Weight	68 lbs

#### WARRANTY

Limited Warranty Parts And Labor	2 Year
----------------------------------	--------

HS=High Speed; WS=Working Speed

# HMWB481WS

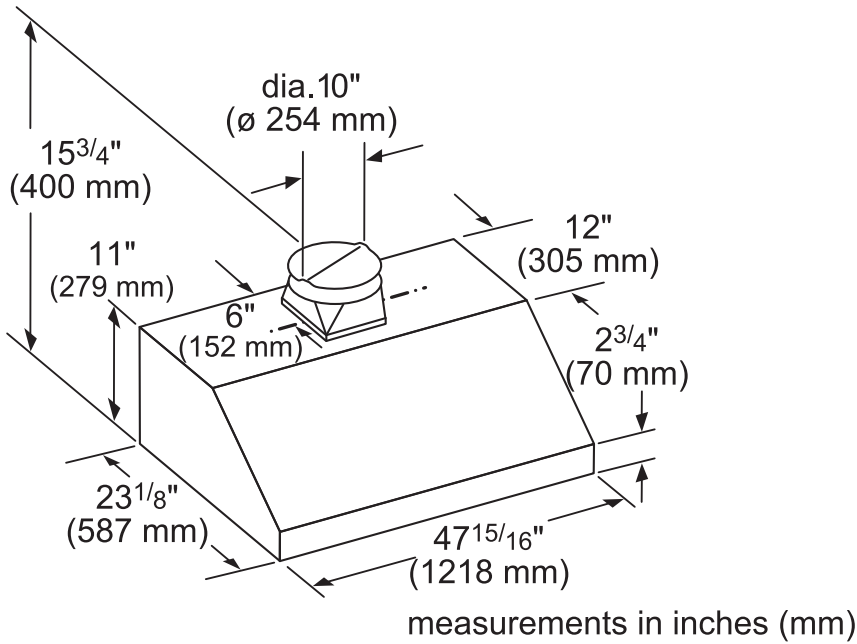
## LOW-PROFILE WALL HOOD WITH BLOWER

### (48-INCH WIDTH)

MASTERPIECE® SERIES



#### HOOD DIMENSIONS

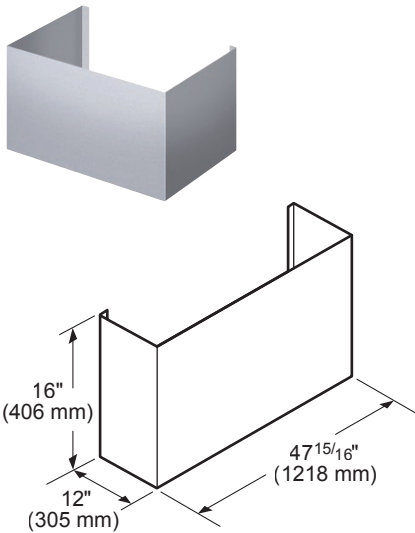


#### OPTIONAL ACCESSORIES

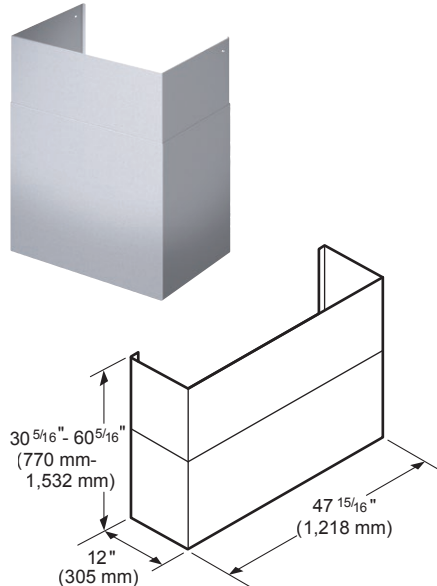
##### 48" WIDE DUCT COVER

Stainless steel duct cover for wall hood applications

##### DCT4816W 16" TALL



##### DC48MTW 28"-65" TALL



##### REMOTE CONTROL PANEL REMCPW



Convenience at your fingertips: The remote control accessory offers the freedom to extend your hood controls to a more reachable spot

These warranties give you specific legal rights and you may have other rights that vary from state to state. Limited warranty from date of purchase. For complete warranty details, refer to your Use & Care manual, or ask your dealer.

Specifications are for planning purposes only. Refer to installation instructions and consult your countertop supplier prior to making counter opening. Consult with a heating and ventilation engineer for your specific ventilation requirements. For the most detailed information, refer to installation instructions accompanying product or write to Thermador indicating the model number. Specifications are correct at time of printing. Thermador reserves the right to change product specifications or design without notice. Some models are certified for use in Canada. Thermador is not responsible for products that are transported from the U.S. for use in Canada.