

ACT™

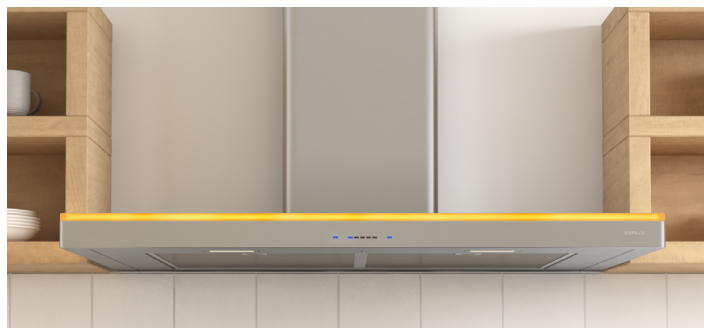
	INTERNAL BLOWER STANDARD	INTERNAL BLOWER with ACT™ AIRFLOW CONTROL TECHNOLOGY™*	
Min. - Max. CFM	200 - 600	200 - 390	200 - 290
Min. - Max. Sones	1 - 6	*AIRFLOW CONTROL TECHNOLOGY™ (ACT™) is an exclusive feature built into specific Zephyr hoods which can limit the maximum blower CFM to meet local code requirements.	



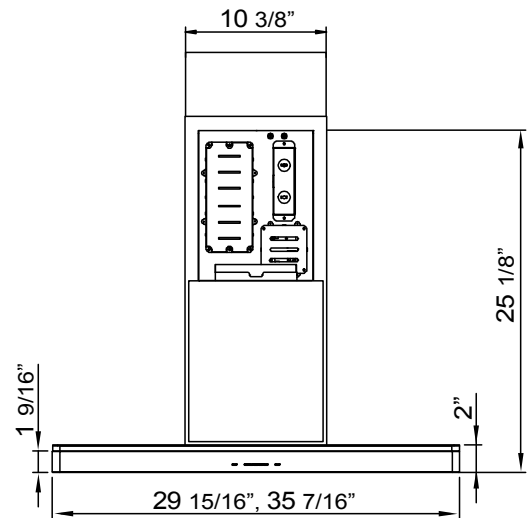
Cloud White LED Accent Light



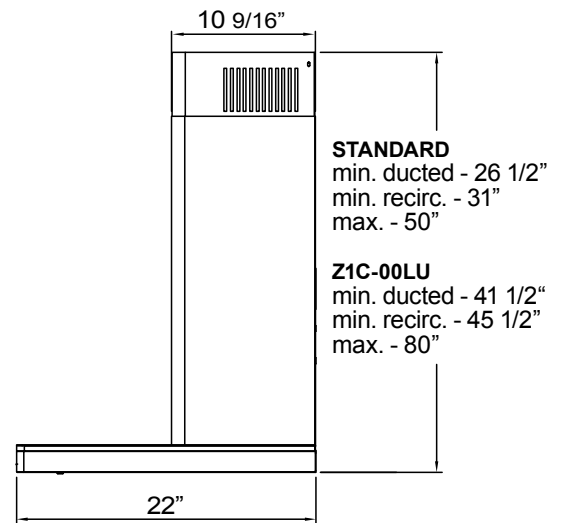
Deep Blue LED Accent Light



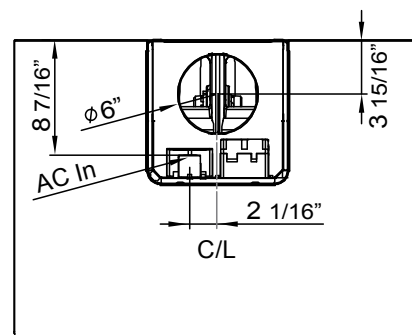
Amber LED Accent Light



BACK



SIDE



TOP

MODEL

Stainless Steel w/ Accent Lighting Size	ZLU-E30CS 30"	ZLU-M90CS 36"
-----------------------------------------	------------------	------------------

BLOWER PERFORMANCE

Blower CFM (Min. - Max.)	200 - 600	200 - 600
Sones (Min. - Max.)	1 - 6	1 - 6
ACT 390 CFM (Min. - Max.)	200 - 390	200 - 390
ACT 290 CFM (Min. - Max.)	200 - 290	200 - 290

FEATURES

ACT™ Technology	390, 290	390, 290
Controls	ICON Touch®	ICON Touch®
Speed Levels	5*	5*
Auto Delay-Off	Yes	Yes
Lighting	LumiLight LED, 6W x2	LumiLight LED, 6W x2
Dual-Level Lighting	Yes	Yes
LED Accent Light	Yes; Cloud White, Deep Blue & Amber	Yes; Cloud White, Deep Blue & Amber
Filters	Aluminum Mesh x2	Aluminum Mesh x2
Recirculating Option	Yes	Yes
Extension Duct Cover Option	Yes, Up to 12' Ceiling	Yes, Up to 12' Ceiling
ADA Compliant	Yes, w/ remote accessory	Yes, w/ remote accessory

DUCT SPECIFICATIONS

Vertical Internal Blower	6" Round	6" Round
Horizontal Internal Blower	NA	NA
AC POWER	120V, 60Hz at Max. 3A	120V, 60Hz at Max. 3A

OPTIONAL ACCESSORIES

Wireless Remote Control Kit	RC-0002	RC-0002
Recirculating Kit	ZRC-00LU	ZRC-00LU
Extension Duct Cover	Z1C-00LU	Z1C-00LU
Stainless Steel Telescopic Backsplash	AK1710	NA
Make-Up Air Kit	MUA006A	MUA006A

MOUNTING HEIGHT RANGE**	26" - 34"	26" - 34"
-------------------------	-----------	-----------

WARRANTY	3 years parts, 1 year labor	3 years parts, 1 year labor
----------	-----------------------------	-----------------------------

CEILING HEIGHT		8'	8.5'	9'	9.5'	10'	10.5'	11'	12'
STANDARD DUCT COVER	Ducted Mounting Height**	26" - 33.5"	26" - 34"	26" - 34"	28" - 34"	34" - 34"	NA	NA	NA
	Recirc Mounting Height**	26" - 29"	26" - 34"	26" - 34"	28" - 34"	34" - 34"	NA	NA	NA
EXTENSION DUCT COVER	Ducted Mounting Height**	NA	NA	26" - 30.5"	26" - 34"	26" - 34"	26" - 34"	26" - 34"	28" - 34"
	Recirc Mounting Height**	NA	NA	26" - 26.5"	26" - 32.5"	26" - 34"	26" - 34"	26" - 34"	28" - 34"

*When ACT™ is enabled the maximum speed levels will change. ACT 390 CFM = 3 speeds and ACT 290 CFM = 2 speeds.

**Mounting height refers to distance between top of a 36" tall cooking surface and bottom of hood.

ACT™ Airflow Control Technology™ (ACT™) is an exclusive feature built into specific Zephyr hoods which can limit the maximum blower CFM to meet local code requirements.

Specifications subject to change, check zephyronline.com for up-to-date information.
Zephyr Ventilation | 2277 Harbor Bay Parkway, Alameda, CA 94502 | 888.880.VENT

APR22.0101

