

# WA50R5400AV

SAMSUNG

## Samsung Top Load Washer with Super Speed

5.0 cu. ft. Capacity DOE



### Signature Features

#### Super Speed

- Uses advanced cleaning technologies to wash a full load of laundry in just 36 minutes,<sup>1</sup> without sacrificing cleaning performance.



#### Active WaterJet

- Built-in water faucet lets you easily pretreat heavily soiled and stained clothes with just a press of a button.

#### EZ Access

- Our new EZ Access tub design allows you to easily reach the bottom of the washer tub to remove your clothes after the cycle finishes.

### Available Colors

-  Fingerprint Resistant Black Stainless Steel (shown)
-  White



Active WaterJet



EZ Access

### Features

- Super Speed
- Active WaterJet
- EZ Access
- Deep Fill
- Smart Care
- VRT Plus™ Technology
- Swirl+ Tub Design
- Self Clean
- Soft-Close Lid
- 750 RPM Maximum Spin Speed
- Direct Drive Motor
- 12 Preset Washing Cycles
- 8 Additional Washing Options
- 5 Temperature Levels
- LED Display: Ice Blue

### Convenience

- Child Lock
- Dispenser Trays: Main Wash, Softener, Bleach
- EZ Drawer Dispenser

### Rating



ENERGY STAR®-rated  
IMEF = 2.06  
IWF = 4.3

<sup>1</sup>Based on using Super Speed on a normal cycle with an 8 lb load.

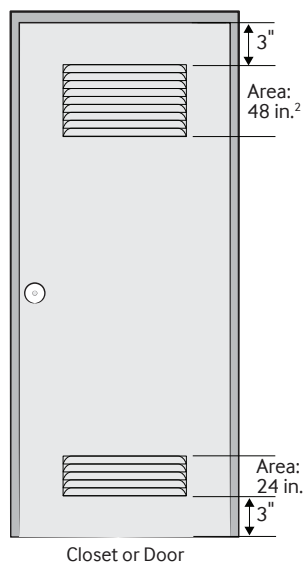
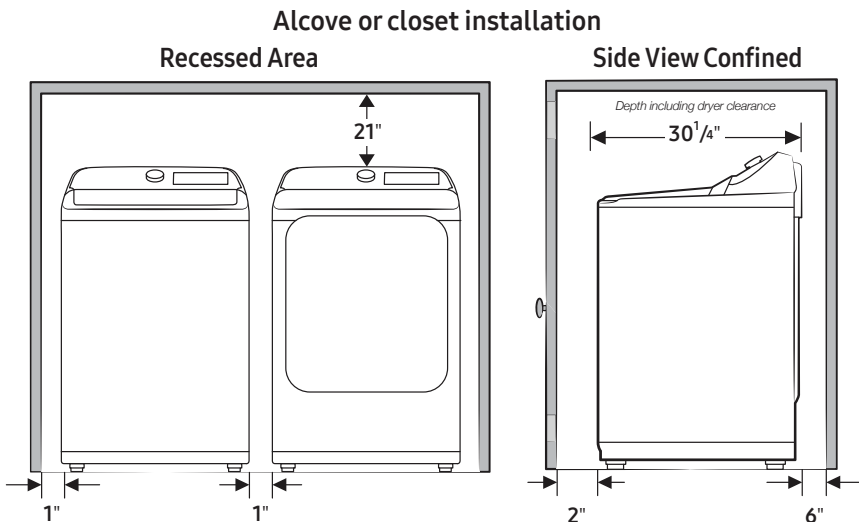
# WA50R5400AV

**SAMSUNG**

## Samsung Top Load Washer with Super Speed

5.0 cu. ft. Capacity DOE

### Installation Specifications



#### Minimum clearances for closets and alcoves:

Sides – 1"  
 Area: 48 in.<sup>2</sup>  
 Top – 21"  
 Rear – 6"  
 Closet Front – 2"

If both the washer and a dryer are installed in the same location, the front of the alcove or closet must have two unobstructed air openings for a combined minimum total area of 72-inch<sup>2</sup>. This clearance requirement is applicable for washers only.

For dryer's clearance requirement, see the dryer's user manual.

#### 12 Preset Washing Cycles:

Normal, Bedding/WaterProof, Heavy Duty, Permanent Press, Darks, Whites, Activewear, Delicates/Hand Wash, Quick Wash, Self Clean, Rinse and Spin, Spin Only

#### 8 Additional Washing Options:

Delay End, Presoak, Alarm Off, Child Lock, Fabric Softener, Deep Fill, Super Speed, Smart Care

#### 5 Temperature Levels:

Hot, Warmer, Warm, Cool, Cold

#### 5 Spin Speeds:

High, Medium High, Medium, Low, No Spin

#### 5 Soil Levels:

Heavy, Medium Heavy, Normal, Medium Low, Light

#### Dispenser Trays:

Main Wash, Softener, Bleach

#### Warranty

One (1) Year Parts and Labor  
 Three (3) Years Stainless Steel Tub (Part Only)  
 Ten (10) Years Direct Drive Motor (Part Only)

#### Product Dimensions & Weight (WxHxD)

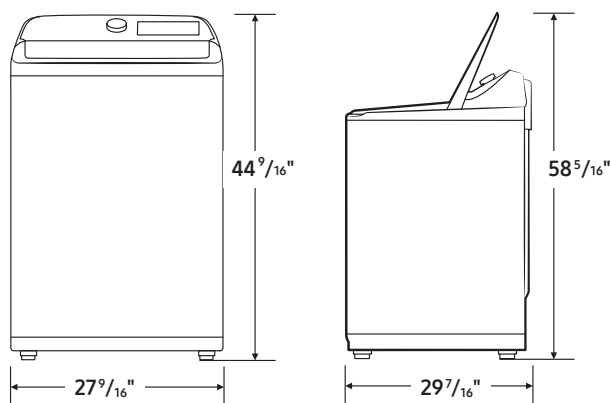
Dimensions: 27<sup>9</sup>/<sub>16</sub>" x 44<sup>9</sup>/<sub>16</sub>" x 29<sup>7</sup>/<sub>16</sub>"  
 Weight: 130.1 lbs

#### Shipping Dimensions & Weight (WxHxD)

Dimensions: 30<sup>1</sup>/<sub>8</sub>" x 46<sup>7</sup>/<sub>8</sub>" x 31<sup>1</sup>/<sub>4</sub>"  
 Weight: 138.9 lbs

Color	Model #	UPC Code
Fingerprint Resistant Black Stainless Steel	WA50R5400AV	887276300535
White	WA50R5400AW	887276300542

### Dimensions



#### Matching Dryer (Electric/Gas)

Fingerprint Resistant Black Stainless Steel	DVE50R5400V	887276300740
White	DVE50R5400W	887276300757
Fingerprint Resistant Black Stainless Steel	DVG50R5400V	887276300771
White	DVG50R5400W	887276300788