

Use & Care Manual

5 SERIES

Professional Freestanding Gas Ranges

VGR53044B | VGR53646B | VGR53644G

VGR54848B | VGR54846G | VGR56046GQ



Congratulations

Congratulations and welcome an elite world of ownership. We hope you will enjoy and appreciate the care and attention we have put into every detail of your new, state-of-the-art range.

Your range is designed to offer years of reliable service. This Use and Care Manual will provide you with the information you need to become familiar with your range's care and operation.

Your complete satisfaction is our ultimate goal. If you have any questions or comments about this product, please contact our Consumer Support Center at 1-888-845-4641.

We appreciate your choice of our range and hope that you will again select our products for your other major appliance needs.

For more information about the complete and growing selection of products, visit us online at vikingrange.com

Table of Contents

Getting Started3	Baking	15
Warnings	3	Bake	15
Before Using Range	8	Convection Bake	15
Product Controls8	Broiling	20
Oven Functions and Settings	8	Broiling Instructions	20
Range Features	9	Convection Dehydrate	21
Operation	10	Convection Defrost	21
Surface Operation	10	Product Care	22
Lighting Burners	10	Cleaning and Maintenance	22
Surface Burners-Automatic Reignition	10	Replacing Oven Lights	24
Vari-Simmer™	10	Door Removal	25
TruPower Plus™ Burner (where applicable).	10	Door Replacement	25
Surface Cooking Tips	10	Troubleshooting	26
Cooking Vessels	11	Service Information	27
Griddle/Simmer Plate (on applicable models)	11		
Char-Grill (on applicable models)	13		
Oven Features.	14		
Rack Positions	14		
Gentle Close Door Feature	14		
Using the Oven	14		
Conventional and Convection Cooking	14		
Convection Cooking Tips	15		

GETTING STARTED


Warnings

Warning and Important Safety Instructions appearing in this manual are not meant to cover all possible conditions and situations that may occur. Common sense, caution, and care must be exercised when installing, maintaining, or operating the appliance.

ALWAYS contact the manufacturer about problems or conditions you do not understand.


Recognize Safety Symbols, Words, Labels

⚠ DANGER
Hazards or unsafe practices which WILL result in death or severe personal injury.
⚠ WARNING
Hazards or unsafe practices which COULD result in death or severe personal injury.
⚠ CAUTION
Hazards or unsafe practices which COULD result in minor personal injury.
All safety messages will identify the hazard, tell you how to reduce the chance of injury, and tell you what can happen if the instructions are not followed.

⚠ WARNING
 To avoid risk of property damage, personal injury or death; follow information in this manual exactly to prevent a fire or explosion. DO NOT store or use gasoline or other flammable vapors and liquids in the vicinity of this or any appliance.

⚠ WARNING
DO NOT use commercial oven cleaners inside the oven. Use of these cleaners can produce hazardous fumes or can damage the porcelain finishes.

⚠ WARNING
If the information in this manual is not followed exactly, a fire or explosion may result causing property damage, personal injury or death. WHAT TO DO IF YOU SMELL GAS:
<ul style="list-style-type: none"> • DO NOT try to light any appliance. • DO NOT touch any electrical switch. • DO NOT use any phone in your building. • Immediately call your gas supplier from a neighbor's phone. Follow the gas supplier's instructions. • If you cannot reach your gas supplier, call the fire department. Installation and service must be performed by a qualified installer, service agency or the gas supplier.

⚠ WARNING
TIPPING HAZARD
 To reduce the risk of the appliance tipping, it must be secured by a properly installed anti-tip bracket(s). To make sure the bracket has been installed properly, look behind the range with a flashlight to verify proper installation engaged in the rear top left corner of the range.
<ul style="list-style-type: none"> • THIS RANGE CAN TIP • INJURIES TO PERSONS CAN RESULT • INSTALL ANTI-TIP DEVICE PACKED WITH RANGE • SEE INSTALLATION INSTRUCTIONS

Read and follow all instructions before using this appliance to prevent the potential risk of fire, electric shock, personal injury or damage to the appliance as a result of improper usage of the appliance. Use appliance only for its intended purpose as described in this manual.

To ensure proper and safe operation: Appliance must be properly installed and grounded by a qualified technician. **DO NOT** attempt to adjust, repair, service, or replace any part of your appliance unless it is specifically recommended in this manual. All other servicing should be referred to a qualified servicer. Have the installer show you the location of the gas shutoff valve and how to shut it off in an emergency. A certified technician is required for any adjustments or conversions to Natural or LP gas.

KEEP THESE INSTRUCTIONS FOR FUTURE REFERENCE.

To Prevent Fire or Smoke Damage

- Be sure all packing materials are removed from the appliance before operating it.
- Keep area around appliance clear and free from combustible materials, gasoline, and other flammable vapors and materials.
- If appliance is installed near a window, proper precautions should be taken to prevent curtains from blowing over burners.
- **NEVER** leave any items on the rangetop. The hot air from the vent may ignite flammable items and may increase pressure in closed containers which may cause them to burst.
- Many aerosol-type spray cans are **EXPLOSIVE** when exposed to heat and may be highly flammable. Avoid their use or storage near an appliance.
- Many plastics are vulnerable to heat. Keep plastics away from parts of the appliance that may become warm or hot. **DO NOT** leave plastic items on the rangetop as they may melt or soften if left too close to the vent or a lighted surface burner.
- Combustible items (paper, plastic, etc.) may ignite and metallic items may become hot and cause burns. **DO NOT** pour spirits over hot foods. **DO NOT** leave oven unsupervised when drying herbs, breads, mushrooms, etc; fire hazard.

In Case of Fire

Turn off appliance and ventilating hood to avoid spreading the flame. Extinguish flame then turn on hood to remove smoke and odor.

- **Cooktop:** Smother fire or flame in a pan with a lid or cookie sheet.
- **NEVER** pick up or move a flaming pan.
- **Oven:** Smother fire or flame by closing the oven door. **DO NOT** use water on grease fires. Use baking soda, a dry chemical or foam-type extinguisher to smother fire or flame.
- **GREASE**—Grease is flammable and should be handled carefully. **DO NOT** use water on grease fires. Flaming grease can be extinguished with baking soda or, if available, a multipurpose dry chemical or foam type extinguisher. Let fat cool before attempting to handle it. **DO NOT** allow grease to collect around the oven or in vents. Wipe up spillovers immediately.

Child Safety

- **NEVER** leave children alone or unsupervised near the appliance when it is in use or is still hot.
- **NEVER** allow children to sit or stand on any part of the appliance as they could be injured or burned.
- **DO NOT** store items of interest to children over the unit. Children climbing to reach items could be seriously injured.
- Children must be taught that the appliance and utensils in it can be hot. Let hot utensils cool in a safe place, out of reach of small children. Children should be taught that an appliance is not a toy. Children should not be allowed to play with controls or other parts of the appliance.

Cooking Safety

- To eliminate the hazard of reaching over hot surface burners, cabinet storage should not be provided directly above a unit. If storage is provided, it should be limited to items which are used infrequently and which are safely stored in an area subjected to heat from an appliance. Temperatures may be unsafe for some items, such as volatile liquids, cleaners or aerosol sprays.
- **ALWAYS** place a pan on a surface burner before turning it on. Be sure you know which knob controls which surface burner. Make sure the correct burner is turned on and that the burner has ignited. When cooking is completed, turn burner off before removing pan to prevent exposure to burner flame.
- **ALWAYS** adjust surface burner flame so that it does not extend beyond the bottom edge of the pan. An excessive flame is hazardous, wastes energy and may damage the appliance, pan or cabinets above the appliance. This is based on safety considerations.
- **NEVER** leave a surface cooking operation unattended especially when using a high heat setting or when deep fat frying. Boilovers cause smoking and greasy spillovers may ignite. Clean up greasy spills as soon as possible. **DO NOT** use high heat for extended cooking operations.
- **DO NOT** heat unopened food containers, build up of pressure may cause the container to explode and result in injury.

- Use dry, sturdy pot-holders. Damp pot-holders may cause burns from steam. Dishtowels or other substitutes should **NEVER** be used as potholders because they can trail across hot surface burners and ignite or get caught on appliance parts.
- **ALWAYS** let quantities of hot fat used for deep fat frying cool before attempting to move or handle.
- **DO NOT** let cooking grease or other flammable materials accumulate in or near the appliance, hood or vent fan. Clean hood frequently to prevent grease from accumulating on hood or filter. When flaming foods under the hood, turn the fan off.
- **NEVER** wear garments made of flammable material or loose fitting or long-sleeved apparel while cooking. Clothing may ignite or catch utensil handles. **DO NOT** drape towels or materials on oven door handles. These items could ignite and cause burns.
- **ALWAYS** place oven racks in the desired positions while oven is cool. Slide oven rack out to add or remove food, using dry, sturdy pot-holders.
- **ALWAYS** avoid reaching into the oven to add or remove food. If a rack must be moved while hot, use a dry pot-holder.
- **ALWAYS** turn the oven off at the end of cooking.
- Use care when opening the oven door. Let hot air or steam escape before moving or replacing food.
- **NEVER** use aluminum foil to cover oven racks or oven bottom. This could result in risk of electric shock, fire, or damage to the appliance. Use foil only as directed in this guide.
- **DO NOT** cook directly on the oven bottom. This could result in damage to the appliance. Always place pans on oven racks.
- **PREPARED FOOD WARNING:** Follow food manufacturer's instructions. If a plastic frozen food container and/or its cover distorts, warps, or is otherwise damaged during cooking, immediately discard the food and its container. The food could be contaminated.
- If you are "flaming" liquor or other spirits under an exhaust, **TURN THE FAN OFF**. The draft could cause the flames to spread out of control.
- Once the unit has been installed as outlined in the Installation Instructions, it is important that the fresh air supply is not obstructed. The use of a gas cooking appliance results in the production of heat and moisture in the room in which it is installed. Ensure that the kitchen is well-ventilated. Keep natural venting holes open or install a mechanical ventilation device. Prolonged or intensive use of the appliance may call for additional (such as opening a window) or more effective ventilation (such as increasing the level of a mechanical ventilation if present).

Utensil Safety

- Use pans with flat bottoms and handles that are easily grasped and stay cool. Avoid using unstable, warped, easily tipped or loose-handled pans. Also avoid using pans, especially small pans, with heavy handles as they could be unstable and easily tip. Pans that are heavy to move when filled with food may also be hazardous.
- Be sure utensil is large enough to properly contain food and avoid boilovers. Pan size is particularly important in deep fat frying. Be sure pan will accommodate the volume of food that is to be added as well as the bubble action of fat.
- To minimize burns, ignition of flammable materials and spillage due to unintentional contact with the utensil, **DO NOT** extend handles over adjacent surface burners. **ALWAYS** turn pan handles toward the side or back of the appliance, not out into the room where they are easily hit or reached by small children.
- **NEVER** let a pan boil dry as this could damage the utensil and the appliance.
- Follow the manufacturer's directions when using oven cooking bags.
- Only certain types of glass, glass/ceramic, ceramic or glazed utensils are suitable for rangetop surface or oven usage without breaking due to the sudden change in temperature. Follow manufacturer's instructions when using glass.
- This appliance has been tested for safe performance using conventional cookware. **DO NOT** use any devices or accessories that are not specifically recommended in this guide. **DO NOT** use eyelid covers for the surface units, stovetop grills, or add-on oven convection systems. The use of devices or accessories that are not expressly recommended in this manual can create serious safety hazards, result in performance problems, and reduce the life of the components of the appliance.
- The flame of the burner should be adjusted to just cover the bottom of the pan or pot. Excessive burner setting may cause scorching of adjacent counter-top surfaces, as well as the outside of the utensil. This is based on safety considerations.

Burners

- **NEVER** touch oven bake and broil burner areas or interior surfaces of oven.
- Bake and broil burners may be hot even though they are dark in color. Areas near burners and interior surfaces of an oven may become hot enough to cause burns.
- During and after use, **DO NOT** touch or let clothing or other flammable materials contact hot burners, or interior surfaces of oven until they have had sufficient time to cool. Other surfaces of the oven may become hot enough to cause burns, such as the oven vent opening, the surface near the vent opening, and the oven door window.

Cleaning Safety

- Turn off all controls and wait for appliance parts to cool before touching or cleaning them. **DO NOT** touch the burner grates or surrounding areas until they have had sufficient time to cool.
- Clean appliance with caution. Use care to avoid steam burns if a wet sponge or cloth is used to wipe spills on a hot surface. Some cleaners can produce noxious fumes if applied to a hot surface.
- **DO NOT** clean door gasket. It is essential for a good tight seal. Care should be taken not to rub, damage, or move the gasket.
- No commercial oven cleaner or oven liner protective coating such as aluminum foil should be used in or around any part of the oven. Improper oven liners may result in a risk of electric shock or fire. Keep oven free from grease buildup.

Important Safety Notice and Warning

The California Safe Drinking Water and Toxic Enforcement Act of 1986 (Proposition 65) requires the Governor of California to publish a list of substances known to the State of California to cause cancer or reproductive harm, and requires businesses to warn customers of potential exposures to such substances. Users of this appliance are hereby warned that when the oven is engaged in the self-clean cycle, there may be some low-level exposure to some of the listed substances, including carbon monoxide. Exposure to these substances can be minimized by properly venting the oven to the outdoors by opening the windows and/or door in the room where the appliance is located during the self-clean cycle.

Important notice regarding pet birds:

NEVER keep pet birds in the kitchen or in rooms where the fumes from the kitchen could reach. Birds have a very sensitive respiratory system. Fumes released during an oven self-cleaning cycle may be harmful or fatal to birds. Fumes released due to overheated cooking oil, fat, margarine and overheated non-stick cookware may be equally harmful.

About Your Appliance

- For proper oven performance and operation, **DO NOT** block or obstruct the oven vent duct located on the right side of the air grille.
- Avoid touching oven vent area while oven is on and for several minutes after oven is turned off. When the oven is in use, the vent and surrounding area become hot enough to cause burns. After oven is turned off, **DO NOT** touch the oven vent or surrounding areas until they have had sufficient time to cool.
- Other potentially hot surfaces include rangetop, areas facing the rangetop, oven vent, surfaces near the vent opening, oven door, areas around the oven door and oven window.
- The misuse of oven doors (e.g. stepping, sitting, or leaning on them) can result in potential hazards and/or injuries.

Power Failure

If power failure occurs, the electric igniters will not work. No attempt should be made to operate the appliance during a power failure. Make sure the oven control is in the "OFF" position.

Momentary power failure can occur unnoticed. The range is affected only when the power is interrupted. When it comes back on, the range will function properly without any adjustments. A "brown-out" may or may not affect range operation, depending on how severe the power loss is.

⚠ WARNING

NEVER use appliance as a space heater to heat or warm a room to prevent potential hazard to the user and damage to the appliance. Also, **DO NOT** use the rangetop or oven as a storage area for food or cooking utensils.

⚠ WARNING



ELECTRICAL SHOCK HAZARD

DO NOT touch a hot oven light bulb with a damp cloth as the bulb could break. Should the bulb break, disconnect power to the appliance before removing bulb to avoid electrical shock.

⚠ WARNING

NEVER cover any slots, holes or passages in the oven bottom or cover an entire rack with materials such as aluminum foil. Doing so blocks air flow through the oven and may cause carbon monoxide poisoning. Aluminum foil linings may also trap heat, causing a fire hazard.

⚠ WARNING

NEVER place pans directly on the oven bottom. Doing so could cause damage to the appliance. Always use the oven racks when cooking.

⚠ WARNING



ELECTRICAL SHOCK HAZARD

Disconnect the electric power at the main fuse or circuit breaker before replacing bulb.

⚠ WARNING



BURN OR ELECTRICAL SHOCK HAZARD

Make sure all controls are OFF and oven is COOL before cleaning. Failure to do so can result in burns or electrical shock

⚠ CAUTION

To avoid sickness and food waste, **DO NOT** allow defrosted food to remain in the oven for more than two hours.

⚠ WARNING

BURN HAZARD



The oven door, especially the glass, can get hot.

Danger of burning: DO NOT touch the glass!

⚠ WARNING

DO NOT store items of interest to children over the unit. Children climbing to reach items could be seriously injured.

⚠ CAUTION

This appliance is not to be used by persons (including children) with reduced physical, sensory or mental capabilities, or lack of experience and knowledge, unless they have been given supervision or instruction concerning the use of the appliance by a person responsible for their safety. Children should be supervised to ensure that they do not play with the appliance.

⚠ NOTICE

DO NOT turn the Temperature Control on during defrosting. Turning the convection fan on will accelerate the natural defrosting of the food without the heat.

⚠ WARNING

You must carefully check the food during the dehydration process to ensure that it does not catch fire.

Before Using Range

All products are wiped clean with solvents at the factory to remove any visible signs of dirt, oil, and grease which may have remained from the manufacturing process. Before starting to cook, clean the range thoroughly with hot, soapy water. There may be some burn off and odors on first use of the appliance—this is normal.

Oven

Important! Before first use, wipe interior with soapy water and dry thoroughly. Then set the oven selector to bake, the temperature knob to 450°F, and operate for an hour.

All VDR5 Gas models include:

- **Exclusive!** VSH™ (VariSimmer-to-high) Pro Sealed Burner System front right burner equipped with TruPower Plus™ 18,500 BTU burner. All other burners equipped with 15,000 BTU's.
- **Exclusive** VariSimmer™ Setting for all burners provides gentle, even simmering.
- **Exclusive** SureSpark™ Ignition System with automatic re-ignition for consistent and reliable ignition on all burners.
- **Exclusive** one-piece tooled and porcelainized cooking surface contains spills for easy cleaning.
- Five performance modes—including convection baking and convection broiling—providing air circulation for shorter cooking times with even results.
- Convection baking with a hidden 30,000 BTU burner provides fast, even baking for all your casserole dishes as well as easy cleanup.
- The 1500°F closed door, infrared broiler allows intense heat to sear delicate cuts of meat providing that restaurant taste.
- Two halogen lights illuminate the oven cavity with less glare.
- Six rack positions and three racks provide ample space for your baking needs.

PRODUCT CONTROLS

Oven Functions and Settings

BAKE (Natural Airflow Bake)

Use this setting for baking, roasting, and casseroles.

CONVECTION BAKE

Use this setting to bake and roast foods at the same time with minimal taste transfer.

BROIL (Infrared Broil)

Use this setting for broiling dark meats at 1" thickness or less where rare or medium doneness is desired.

CONVECTION BROIL (Infrared Convection Broil)

Use this setting to broil thick cuts of meat.

CONVECTION DEHYDRATE (Convection Bake with heat)

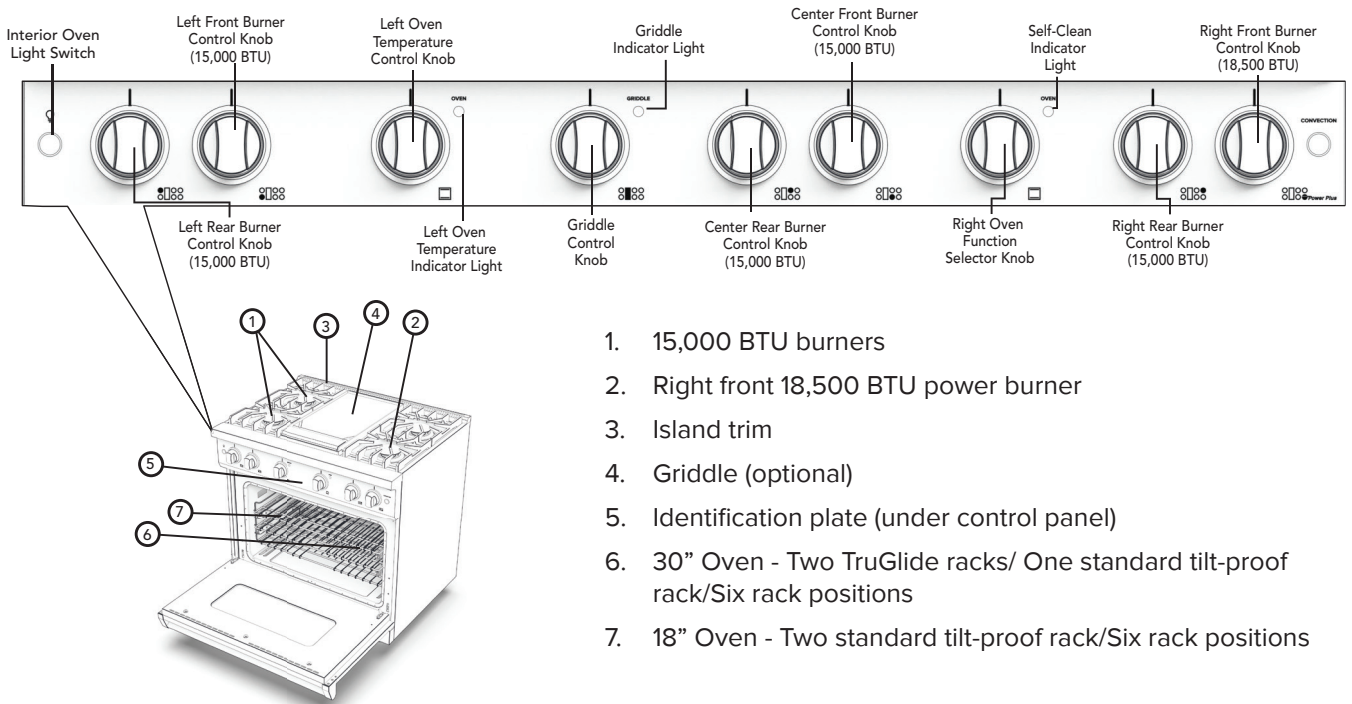
Use this function to dehydrate fruits and vegetables.

CONVECTION DEFROST (Convection Bake without heat)

Use this function to defrost foods.


Note: For more information on oven functions see "Operation" section.

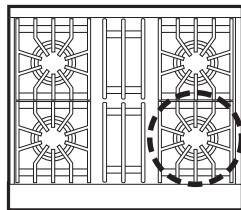
Range Features



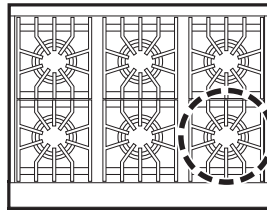
48" Four-Burner/Griddle model shown

Burner Configurations

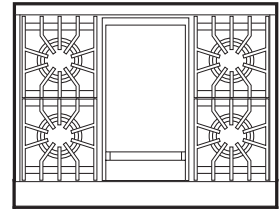
 Denotes models which have a 18,500 BTU TruPower Plus™ Burner



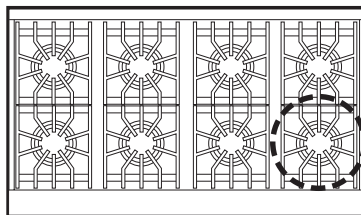
30" (76 cm)
Four-Burner



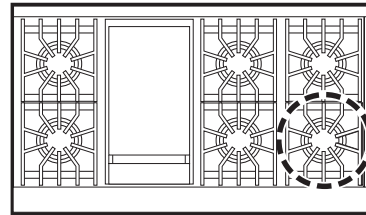
36" (91 cm)
Six-Burner



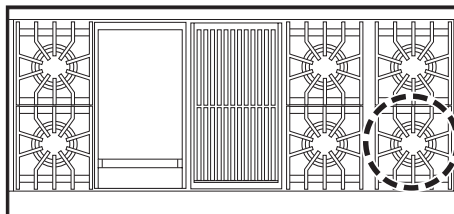
36" (91 cm)
Four-Burner/Griddle



48" (122 cm)
Eight Burner



48" (122 cm)
Six-Burner/Griddle



60" (152 cm)
Six-Burner/Grill/Griddle

OPERATION

Surface Operation

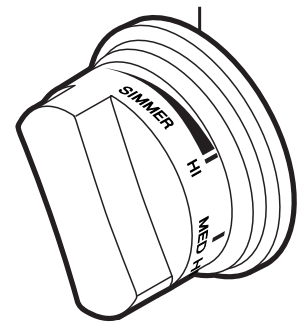
Our ranges are equipped with an exclusive VSH™ (VariSimmer-to-high) Pro Sealed burner System. This unique burner system is equipped with 15,000 BTU burners and one 18,500 front burner.

Lighting Burners

All burners are ignited by electric ignition. There are no open-flame, “standing” pilots.

Surface Burners-Automatic Reignition

To light the surface burners, push and turn the appropriate control knob counter clockwise to any position. This control is both a gas valve and an electric switch. Burners will ignite at any “ON” position with the automatic re-ignition system. If the flame goes out for any reason, the burners will automatically reignite if the gas is still flowing. When gas is permitted to flow to the burners, the electric igniters start sparking. On all surface igniters you should hear a “clicking” sound. If you do not, turn off the control and check that the unit is plugged in and that the fuse or circuit breaker is not blown or tripped.



Within a few moments, enough gas will have traveled to the burner to light. When the burner lights, turn the burner control to any position to adjust the flame size. Setting the proper flame height for the desired cooking process and selecting the correct cooking vessel will result in superior cooking performance, while also saving time and energy.

Vari-Simmer™

Simmering is a cooking technique in which foods are cooked in hot liquids kept at or just barely below the boiling point of water. Simmering ensures gentler treatment than boiling to prevent food from toughening and/or breaking up. The size of the pan and the volume of food can have a significant effect on how high or low a flame is needed for simmering. For this reason, Viking range and rangetop burners are engineered with a Vari-Simmer setting. The Vari-Simmer setting is not just one simmer setting, but provides a variable range of simmer settings. This variable range of simmer settings allows you to adjust the flame height to achieve the best simmer depending on the type and quantity of food being simmered. It is this ability that makes the Vari-Simmer setting the most accurate and trustworthy simmer on the market.

TruPower Plus™ Burner (where applicable)

Certain model ranges are equipped with a TruPower Plus burner in the front right burner position. This burner is designed to provide extra high heat output, especially when using large pans, and should be used for boiling large quantities or if you need to bring something to a boil quickly. While TruPower Plus burner has the extra power needed to bring large quantities of liquid to a boil rapidly, it is also able to be turned down low enough to provide a very low and delicate simmer making this burner the most versatile burner on the market.

Surface Cooking Tips

- Use low or medium flame heights when cooking in vessels that are poor conductors of heat, such as glass, ceramic, and cast-iron. Reduce the flame height until it covers approximately 1/3 of the cooking vessel diameter. This will ensure more even heating within the cooking vessel and reduce the likelihood of burning or scorching the food.
- Reduce the flame if it is extending beyond the bottom of the cooking vessel. A flame that extends along the sides of the vessel is potentially dangerous, heats the utensil handle and kitchen instead of the food, and wastes energy.
- Reduce the flame height to the minimum level necessary to perform the desired cooking process. Remember that food cooks just as quickly at a gentle boil as it does at a rolling boil. Maintaining a higher boil than is necessary wastes energy, cooks away moisture, and causes a loss in food flavor and nutrient level.

- The minimum pot or pan (vessel) diameter recommended is 6” (15 cm). Use of pots or pans as small as 4” (10 cm) is possible but not recommended.

Surface Heat Settings*

Heat Setting	Use
Simmer	Melting small quantities Steaming rice Simmering sauces
Low	Melting large quantities
Med Low	Low-temperature frying (eggs, etc.) Simmering large quantities Heating milk, cream sauces, gravies, and puddings
Med	Sauteing and browning, braising, and pan-frying Maintaining slow boil on large quantities
Med High	High-temperature frying Pan broiling Maintaining fast boil on large quantities
High	Boiling water quickly Deep-fat frying in large utensil

**Note: The above information is given as a guide only. You may need to vary the heat settings to suit your personal requirements.*

Cooking Vessels

Each cook has his or her own preference for the particular cooking vessels that are most appropriate for the type of cooking being done. Any and all cooking vessels are suitable for use in the range and it is not necessary to replace your present domestic vessels with commercial cookware. This is a matter of personal choice. As with any cookware, yours should be in good condition and free from excessive dents on the bottom to provide maximum performance and convenience.

Note: When using big pots and/or high flames, it is recommended to use the front burners. There is more room in the front and potential cleanup at rear of appliance due to staining or discoloration will be minimized.

Griddle/Simmer Plate (on applicable models)

Griddle/Simmer Plate (on select models)

The optional 15,000 BTU griddle is constructed of machined steel with a blanchard finish and is uniquely designed to offer excellent cooking performance as well as easy clean up. The griddle is equipped with an electronic thermostat to maintain an even temperature across the griddle once the desired temperature has been set. The griddle has a power “ON” indicator light which glows when the griddle thermostat has been turned on. This will cycle on and off as needed to indicate the thermostat is maintaining the selected temperature. Before the griddle is used, it is important to season the griddle. this seasoning process will change the appearance of the griddle. However, it will also prevent food from sticking and protect the surface from moisture.

Seasoning the Griddle Before the First Use

- Scrub the griddle plate with a mixture of one quart warm water and 1/4 cup white vinegar, using a blue Scotch-Brite™ pad. Dry thoroughly.
- Wash griddle with warm, soapy water. Rinse off and dry thoroughly.
- Season griddle by thinly coating the surface with approximately 1/2 to 1 teaspoon unsalted vegetable oil. Apply to entire griddle using a paper towel or clean cloth. Let oil sit on griddle for approximately 1 hour and then wipe with a clean cloth or paper towel to absorb any residual oil. The griddle is now ready to be used.

Griddle/Simmer Plate Operation

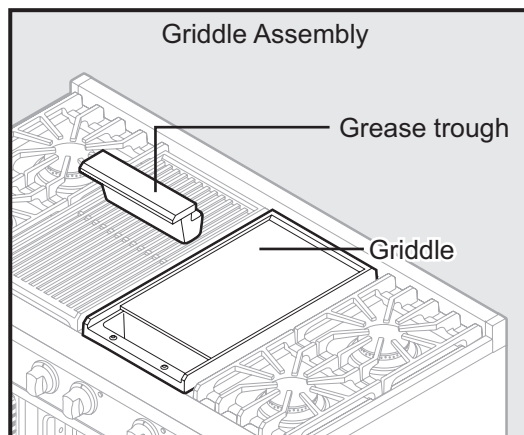
- Turn the griddle control knob counterclockwise to the desired temperature setting. The power “ON” indicator light will glow indicating the griddle thermostat is on.
- When the griddle has reached the desired temperature, the power “ON” indicator light will turn off indicating the griddle is preheated to the selected temperature.
- Use liquid cooking oil or butter for eggs, pancakes, French toast, fish and sandwiches to prevent sticking.
- Routinely scrape loose food particles with a metal or heat resistant spatula during cooking to make the cleanup easier and to avoid the particles mixing with the food.
- To turn the griddle off, turn the thermostat knob clockwise to the “OFF” position.
- ALWAYS turn to the “OFF” position when not in use and lower the heat between cooking loads.

Griddle Cooking Chart

Food	Temp (°F)	Temp (°C)
Eggs	200	93
Bacon	300-325	149-163
Pancakes	375-400	191-205
French toast	400	205
Fish Fillets	250	121
Hamburger	350	177
Steaks	350	177

Griddle/Simmer Plate Clean Up & Care

- It is not necessary to wash the griddle after every use. When light cooking is performed and AFTER the griddle has cooled, simply wipe down the surface with a clean cloth or paper towel. The oils in the food which cooked on the griddle surface will naturally season the griddle providing a “natural” non-stick surface.
- After heavy cooking is completed and the griddle is still warm enough to create steam, pour a small amount of club soda at room temperature directly on the griddle. Using a metal spatula, pull oils and food particles toward the trough in front. Wipe entire surface with a paper towel. Follow with the seasoning process of applying oil.
- Keeping the griddle well seasoned will prevent the griddle from developing surface rust. If the griddle is not used for a period of time, it must be re-seasoned. The griddle must be re-seasoned each time after it is washed.
- Non-stick cooking spray is not recommended as it contains a high water content that has a tendency to burn quickly.
- Corn oil is not recommended as it has a high sugar level. It will caramelize and burn on the surface making it very difficult to remove.
- After using the griddle, always remove the grease trough located in the front. Simply pull the trough towards you and lift out. The trough or tray trap needs to be cleaned after each use. A fire hazard may occur if grease is accumulated
- Note - it is normal for the griddle to darken over time. This is the sign of a well seasoned griddle.
- Important: Never flood a hot griddle with cold water. This thermal shock promotes griddle warping and can cause the griddle to crack if continued over a period of time.



Char-Grill (on applicable models)

Char-Grill (on select models)

The optional 18,000 BTU char-grill is equipped with a single piece, heavy-duty porcelainized cast-iron grill grate for easy movement of grilling items. Beneath the grill grate is a slotted porcelainized flavor generator plate which is designed to catch drippings and circulate a smoke flavor back into the food. Beneath the flavor generator plate is a two piece drip pan which catches any drippings that might pass beyond the flavor generator plate. This unique grilling system is designed to provide outdoor quality grilling indoors.

Char-Grill Operation

- Turn the overhead ventilation on prior to turning the grill on.
- Turn the grill knob counterclockwise to HI
- Always preheat the grill for 5-10 minutes before placing food on the grill grate.
- Place food items on the grill, cook as desired.
- To turn the grill off, turn the grill knob clockwise to the OFF position.

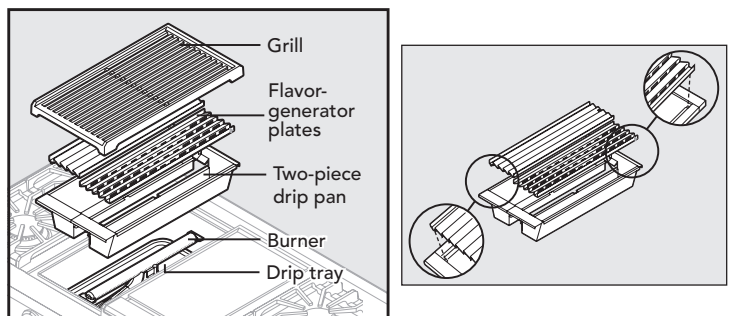
Char-Grill Cooking Tips

- When grilling chicken, roasts, well-done steaks or chops and thick pieces of meat, sear on HI. Then, reduce the heat setting to prevent excessive flare-up. This will allow the food to cook through without burning the outside.
- After steaks, chops, or hamburgers have been allowed to sear for approximately one minute, you may slide a spatula under the meat and turn it approximately 90 degrees so that a waffle pattern will be seared onto the food.
- Use a metal spatula instead of tongs or a fork to turn the meat. A spatula will not puncture the meat allowing juices to escape.
- Turn the meat over only once. Juices are lost when steaks, chops or hamburgers are turned several times. The best time to turn the meat is after the juices have begun to bubble to the surface.
- To test for doneness, make a small slash in the center of the meat, not the edge. This will prevent loss of juices.
- Occasionally there may be flare-ups or flames above the grill due to drops of fat falling on the flavor generator plates. It is normal to have some flare-up during grilling. Use a long handled spatula to move food to another area until the flames subside.
- For ease of cleaning, leave the char-grill on for 10 minutes when finished grilling. This will help make cleanup easier once the char-grill has cooled down.

Char-Grill Assembly

Follow these steps to disassemble the char-grill for cleaning. Make sure the char-grill is completely cool before attempting to disassemble for cleaning.

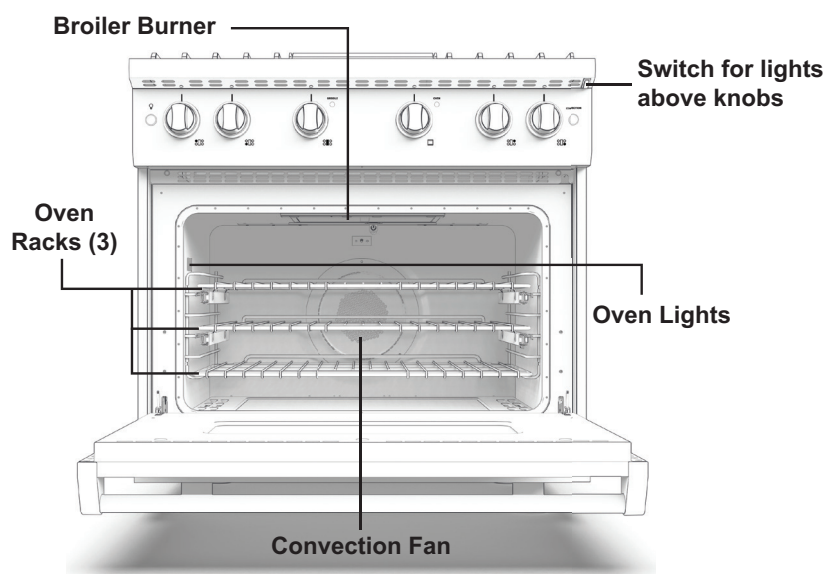
- Remove the char-grill grate.
- Remove the flavor generator plate.
- Remove the drip pan. Note that the drip pan is a two piece drip pan.
- Located beneath the burner is the drip tray. Under normal grilling circumstances very little if any grease will accumulate in the drip tray. If any grease has accumulated in the drip tray, then remove for cleaning.



Char-Grill Clean Up & Care

- Char-grill grates:
 - May be cleaned immediately after cooking is complete and before turning off the flame. Before cleaning the grill turn the flame down to a lower setting such as Med or Low. Use a soft bristle brush to scrub the grill grate. Dip the brush frequently into a bowl of water. Steam is created as the water contacts the hot grate. The steam assists the cleaning process by softening the food particles.
 - For a thorough cleaning of the grill grate, use grill cleaner according to manufacturer's directions and then soak 15-20 minutes in a hot water and mild detergent solution. After soaking, scrub with a blue Scotch-Brite™ pad. Do not use a steel wool pad or abrasive cleaner, for risk of damaging the porcelain finish. Dry thoroughly.
- Flavor generator plates, drip pan and drip tray:
 - Scrape off all burned on debris. The flavor-generator plates, drip pan and drip tray are dishwasher safe. If you choose to not wash these components in the dishwasher then simply soak for 15-20 minutes in a hot water and mild detergent solution. After soaking, scrub with a blue Scotch-Brite™ pad.

Oven Features



Rack Positions

The 30", 36", 48" right-hand and both 60" W. ovens are equipped with three tilt-proof racks. The 18" left-hand oven is equipped with two standard tilt-proof racks. All ovens have six rack positions. Position 6 is the farthest from the oven bottom. Position 1 is the closest to the oven bottom. The racks can be easily removed and arranged at various levels. For best results with conventional baking, **DO NOT** use more than one rack at a time. It is also recommended, when using two racks, to bake with the racks in positions 2 and 4 or positions 3 and 5.

Gentle Close Door Feature

All oven doors come standard with a gentle close feature. The door will remain in an open position until the door is approximately 5" (12.7 cm) away from the oven. When reaching this point, the door will require a slight push to engage the gentle close mechanism. The closing speed of the door will vary according to the oven temperature.

Using the Oven

Conventional and Convection Cooking

Because of variations in food density, surface texture and consistency, some foods may be prepared more successfully using the conventional bake setting. For this reason, conventional baking is recommended when preparing baked goods such as custard. The user may find other foods that are also prepared more consistently in conventional bake. It is recommended to use this function for single-rack baking.

Convection Cooking Tips

Convection cooking is a technique utilizing fan-forced air which is circulated throughout the entire oven cavity creating the optimum cooking environment. Cooking with convection is intended when performing multi-rack baking and for heavier foods. Below are some tips which will allow you to get the best results out of your oven when cooking with convection.

- As a general rule, to convert conventional recipes to convection recipes, reduce the temperature by 25°F (14°C) when using a convection cooking function.
- Cooking times for standard baking and convection baking will be the same. However, if using convection to cook a single item or smaller load, then it is possible to have 10-15% reduction in cooking time. (Remember convection cooking is designed for multi-rack baking or cooking large loads.)
- If cooking items which require longer than 45 minutes, then it is possible to see a 10-15% reduction in cooking time.
- A major benefit of convection cooking is the ability to prepare foods in quantity. The uniform air circulation makes this possible. Foods that can be prepared on two of three racks at the same time include: pizza, cakes, cookies, biscuits, muffins, rolls, and frozen convenience foods.
- For three-rack baking, use any combination of rack positions 2, 3, 4, and 5. For two-rack baking, use rack positions 2 and 4 or positions 3 and 5. Remember that the racks are numbered from bottom to top.

Baking

Bake

(Natural Airflow Bake)

Full power heat is radiated from the bake burners in the bottom of the oven cavity and is circulated with natural airflow. This function is recommended for single rack baking. Many cookbooks contain recipes to be cooked in the conventional manner. Conventional baking is suitable for dishes that require a high temperature. Use this setting for baking and casseroles.

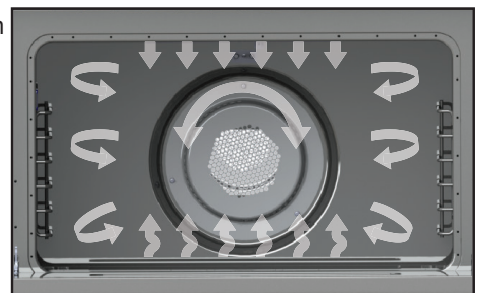


To Use BAKE Function

1. Arrange the oven rack in the desired position before turning oven on.
2. Close the door.
3. Set the oven temperature control knob to desired temperature.

Convection Bake

Heat is radiated from the U-shaped bake burners in the bottom of the oven cavity. The heated air is circulated by one motorized fan in the rear of the oven providing a more even heat distribution. Multiple rack use is possible for the largest baking job. When roasting, cool air is quickly replaced—searing meats on the outside and retaining more juices and natural flavor on the inside with less shrinkage. This even circulation of air equalizes the temperature throughout the oven cavity and eliminates the hot and cold spots found in conventional ovens.



To Use CONVECTION BAKE Function

1. Arrange the oven rack in the desired position before turning oven on.
2. Close the door.
3. Set the oven temperature control knob to desired temperature and turn on the convection fan switch.

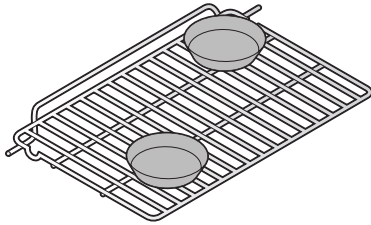
Baking Tips

- Make sure the oven racks are in the desired position before you turn on the oven.
- **DO NOT** open the door frequently during baking. Look through the door window to check doneness whenever possible. If you must open the door, the best time is during the last quarter of the baking time.
- Bake to the shortest time suggested and check for doneness before adding more time. For baked goods, a stainless steel knife placed in the center of the product should come out clean when done.
- Use the pan size and type recommended by the recipe to ensure best results. Cakes, quick breads, muffins, and cookies should be baked in shiny, reflective pans for light, golden crusts. Avoid the use of old, darkened pans. Warped, dented, stainless steel and tin-coated pans heat unevenly and will not give uniform baking results.

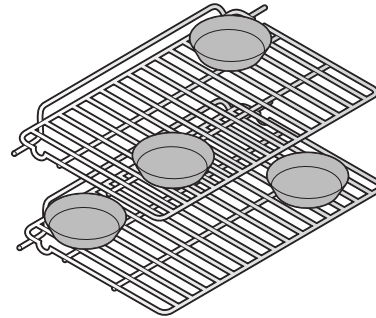
Pan Placement Tips

- When using large (15" x 13") flat pans or trays that cover most of the rack, rack positions 2 or 3 produce the best results.
- When baking on more than one rack, it is recommended to use the 3rd and 5th position for more consistent even baking.
- Stagger pans in opposite directions when two racks and several pans are used in conventional bake. If possible, no pan should be directly above another.
- Allow 1 to 2 inches of air space around all sides of each pan for even air circulation.

Single Rack Pan Placement



Multiple Rack Pan Placement



Solving Baking Problems

Baking problems can occur for many reasons. Check the chart below for the causes and remedies for the most common problems. It is important to remember that the temperature setting and cooking times you are accustomed to using with your previous oven may vary slightly from those required with this oven. If you find this to be true, it is necessary for you to adjust your recipes and cooking times accordingly.

COMMON BAKING PROBLEMS/REMEDIES		
Problems	Cause	Remedy
Cakes burned on the sides or not done in center	<ol style="list-style-type: none"> Oven was too hot Wrong size pan Too many pans 	<ol style="list-style-type: none"> Reduce temperature Use recommended pan size Reduce number of pans
Cakes crack on top	<ol style="list-style-type: none"> Batter too thick Oven too hot Wrong pan size 	<ol style="list-style-type: none"> Follow recipe, add liquid Reduce temperature Use recommended pan size
Cakes are not level	<ol style="list-style-type: none"> Batter uneven Oven or rack not level Pan was warped 	<ol style="list-style-type: none"> Distribute batter evenly Level oven or rack Use proper pan
Food too brown on bottom	<ol style="list-style-type: none"> Oven door opened too often Dark pans being used Incorrect rack positions Wrong bake setting Pan too large 	<ol style="list-style-type: none"> Use door window to check food Use shiny pans Use recommended rack position Adjust to conventional or convection setting as needed. Use proper pan
Food too brown on top	<ol style="list-style-type: none"> Rack position too high Oven not preheated Sides of pan too high 	<ol style="list-style-type: none"> Use recommended rack position Allow oven to preheat Use proper pans
Cookies too flat	<ol style="list-style-type: none"> Hot cookie sheet 	<ol style="list-style-type: none"> Allow sheet to cool between batches
Pies burned around edges	<ol style="list-style-type: none"> Oven too hot Too many pans used Oven not preheated 	<ol style="list-style-type: none"> Reduce temperature Reduce number of pans Allow oven to preheat
Pies too light on top	<ol style="list-style-type: none"> Oven not hot enough Too many pans used Oven not preheated 	<ol style="list-style-type: none"> Increase temperature Reduce number of pans Allow oven to preheat

CONVENTIONAL BAKING CHART				
Food	Pan Size	Single Rack Position	Temperature	Time (min.)
BREADS				
Biscuits	Cookie sheet	3 or 4	400°F (204°C)	10 - 12
Yeast loaf	Loaf pan	3 or 4	375°F (191°C)	30 - 35
Yeast rolls	Cookie sheet	3 or 4	400°F (204°C)	12 - 15
Nut bread	Loaf pan	3 or 4	375°F (191°C)	30 - 35
Cornbread	8" x 8"	3 or 4	400°F (204°C)	25 - 30
Gingerbread	8" x 8"	3 or 4	350°F (177°C)	35 - 40
Muffins	Muffin tin	3 or 4	375°F (191°C)	15 - 20
Corn Muffin	Muffin tin	3 or 4	375°F (191°C)	15 - 20
CAKES				
Angel food	Tube pan	3 or 4	375°F (191°C)	35 - 45
Bundt	Tube pan	3 or 4	350°F (177°C)	45 - 55
Cupcakes	Muffin pan	3 or 4	350°F (177°C)	16 - 20
Layer, sheet	13" x 9"	3 or 4	350°F (177°C)	40 - 50
Layer, two	9" round	3 or 4	350°F (177°C)	30 - 35
Pound	Loaf pan	3 or 4	350°F (177°C)	60 - 65
COOKIES				
Brownies	13" x 9"	3 or 4	350°F (177°C)	25 - 30
Chocolate Chip	Cookie sheet	3 or 4	375°F (191°C)	12 - 15
Sugar	Cookie sheet	3 or 4	375°F (191°C)	10 - 12
PASTRY				
Cream puffs	Cookie sheet	3 or 4	400°F (204°C)	30 - 35
PIES				
Crust, unfilled	9" round	3 or 4	400°F (204°C)	10 - 12
Crust, filled	9" round	3 or 4	350°F (177°C)	55 - 60
Lemon meringue	9" round	3 or 4	350°F (177°C)	12 - 15
Pumpkin	9" round	3 or 4	350°F (177°C)	35 - 40
Custard	6-4 oz. cups	3 or 4	350°F (177°C)	35 - 40
ENTREES				
Egg rolls	Cookie sheet	3 or 4	400°F (204°C)	25 - 30
Fish sticks	Cookie sheet	3 or 4	425°F (218°C)	10 - 15
Lasagna, frozen	Cookie sheet	3 or 4	375°F (191°C)	55 - 60
Pot pie	Cookie sheet	3 or 4	400°F (204°C)	35 - 40
Green peppers, stuffed	13" x 9"	3 or 4	375°F (191°C)	60 - 70
Quiche	9" round	3 or 4	400°F (204°C)	25 - 30
Pizza, 12"	Cookie sheet	3 or 4	400°F (204°C)	15 - 20
Mac & cheese, frz	Cookie sheet	3 or 4	375°F (191°C)	35 - 40
VEGETABLES				
Baked potato	On rack	3 or 4	375°F (191°C)	60 - 65
Spinach souffle	1 quart casserole	3 or 4	350°F (177°C)	45 - 50
Squash	Cookie sheet	3 or 4	375°F (191°C)	50 - 55
French fries	Cookie sheet	3 or 4	425°F (218°C)	20 - 25

***Note:** The above information is given as a guide only.

CONVECTION BAKING CHART				
Food	Pan Size	Single Rack Position	Temperature	Time (min.)
BREADS				
Biscuits	Cookie sheet	3 or 4	375°F (191°C)	7 - 9
Yeast loaf	Loaf pan	3 or 4	375°F (191°C)	25 - 30
Yeast rolls	Cookie sheet	3 or 4	375°F (191°C)	11 - 13
Nut bread	Loaf pan	3 or 4	350°F (177°C)	25 - 30
Cornbread	8" x 8"	3 or 4	375°F (191°C)	20 - 25
Gingerbread	8" x 8"	3 or 4	325°F (163°C)	30 - 35
Muffins	Muffin tin	3 or 4	350°F (177°C)	12 - 15
Corn Muffin	Muffin tin	3 or 4	350°F (177°C)	10 - 12
CAKES				
Angel food	Tube pan	3 or 4	350°F (177°C)	35 - 45
Bundt	Tube pan	3 or 4	325°F (163°C)	35 - 40
Cupcakes	Muffin pan	3 or 4	325°F (163°C)	15 - 17
Layer, sheet	13" x 9"	3 or 4	325°F (163°C)	30 - 35
Layer, two	9" round	3 or 4	325°F (163°C)	25 - 30
Pound	Loaf pan	3 or 4	325°F (163°C)	45 - 50
COOKIES				
Brownies	13" x 9"	3 or 4	325°F (163°C)	20 - 25
Chocolate Chip	Cookie sheet	3 or 4	350°F (177°C)	7 - 10
Sugar	Cookie sheet	3 or 4	350°F (177°C)	7 - 10
PIES				
Crust, unfilled	9" round	3 or 4	375°F (191°C)	7 - 9
Crust, filled	9" round	3 or 4	325°F (163°C)	50 - 55
Lemon meringue	9" round	3 or 4	325°F (163°C)	10 - 12
Pumpkin	9" round	3 or 4	325°F (163°C)	45 - 55
Custard	Not recommended			
ENTREES				
Egg rolls	Cookie sheet	3 or 4	375°F (191°C)	15 - 20
Fish sticks	Cookie sheet	3 or 4	400°F (204°C)	8 - 10
Lasagna, frozen	Cookie sheet	3 or 4	350°F (177°C)	45 - 50
Pot pie	Cookie sheet	3 or 4	350°F (177°C)	35 - 40
Green peppers, stuffed	13" x 9"	3 or 4	350°F (177°C)	45 - 50
Quiche	Not recommended			
Pizza, 12"	Cookie sheet	3 or 4	375°F (191°C)	15 - 20
Mac & cheese, frz	Cookie sheet	3 or 4	350°F (177°C)	25 - 35
VEGETABLES				
Baked potato	On rack	3 or 4	350°F (177°C)	50 - 55
Spinach souffle	1 quart casserole	3 or 4	325°F (163°C)	35 - 40
Squash	Cookie sheet	3 or 4	350°F (177°C)	40 - 45
French fries	Cookie sheet	3 or 4	400°F (204°C)	15 - 20

***Note:** The above information is given as a guide only.

Broiling

Broiling Instructions

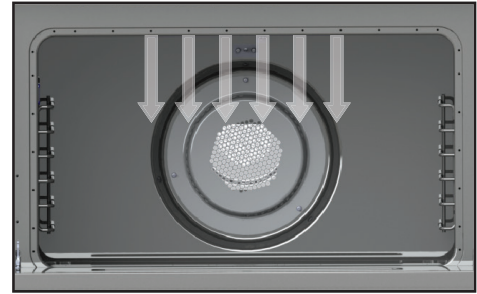
Broiling is a dry-heat cooking method using direct or radiant heat. It is used for small, individualized cuts such as steaks, chops, and patties. Broiling speed is determined by the distance between the food and the broil element. Choose the rack position based on desired results.

Only use closed door broiling.

Conventional broiling is most successful for cuts of meat 1-2 inches thick and is also more suitable for flat pieces of meat. Convection broiling has the advantage of broiling food slightly quicker than conventional. Convection broiling of meats produces better results, especially for thick cuts. The meat sears on the outside and retains more juices and natural flavor inside with less shrinkage.

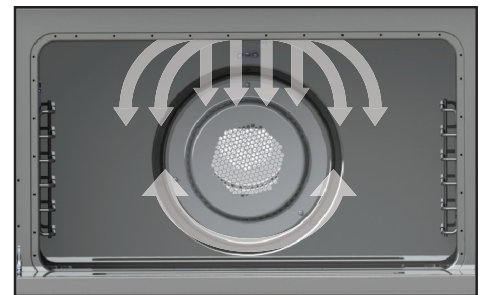
BROIL (Infrared Broil)

The broil burner at the top of the oven heats the metal screen until it glows. Heat radiates from the GourmetGlo™ infrared broiler located at the top of the oven cavity. The distance between the foods and the broil elements determines broiling speed. For “fast” broiling, food may be as close as 2 inches (5 cm) to the broil element. “Fast” broiling is best for meats where rare to medium doneness is desired. Use this setting for broiling small and average cuts of meat.



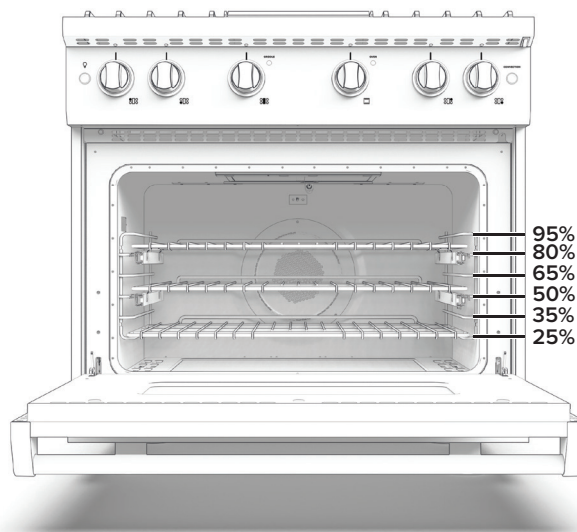
CONVECTION BROIL (Infrared Convection Broil)

The top burner operates at full power. This function is exactly the same as regular broiling with the additional benefit of air circulation by the motorized fan in the rear of the oven. Smoke is reduced since the airflow also reduces peak temperatures on the food. Use this setting for broiling thick cuts of meats.



Rack Positions for Broiling

The broiler uses heat rays to help cook the food. Because these rays travel only in straight lines, the effective cooking area of the broiler is reduced when using the higher rack position. At high-rack positions, the rays cannot reach all corners of the broiler grid, so larger pieces of meat might not broil sufficiently at the outer edges. The effective cooking areas on the broiler grid for each rack position is shown.



Note: Position 6 is the closest to the broiler and position 1 is the closest to the oven bottom.

To Use Broil or Convection Broil

1. Arrange the oven rack in the desired position before turning broiler on.
2. Center the food on a cold broiler pan and grid. Place broiler pan in oven.
3. Set the oven temperature control knob to “Broil”. Turn on the convection fan switch if you wish to convection broil.
4. Close the door. Only use closed door broiling. With closed door broiling the broil element might cycle on and off if an extended broiling time is required. A built-in smoke “eliminator” in the top of the oven helps reduce smoke and odors.

Broiling Tips

- ONLY use closed door broiling
- ALWAYS use a broiler pan and grid for broiling. They are designed to provide drainage of excess liquid and fat away from the cooking surface to help prevent splatter, smoke, and fire.
- To keep meat from curling, slit fatty edge.
- Brush chicken and fish with butter several times as they broil to prevent drying out. To prevent sticking, lightly grease broiler tray.
- Broil on first side for slightly more than half the recommended time, season, and turn. Season second side just before removing.
- ALWAYS pull rack out to stop position before turning or removing food.
- Use tongs or a spatula to turn meats. NEVER pierce meat with a fork, as this allows the juices to escape.
- Remove the broiler pan from the oven when you remove the food. Drippings will bake onto the pan if it is left in the heated oven after broiling.

BROILING CHART				
Type and Cut of Meat	Weight	Setting	Rack	Time (min.)
BEEF				
Sirloin, 1”				
Rare	12 oz.	Broil	3	4
Medium	12 oz.	Broil	3	5
Well done	12 oz.	Broil	3	6
T-Bone, 3/4”				
Rare	10 oz.	Broil	3	4
Medium	10 oz.	Broil	3	6
Well done	10 oz.	Broil	3	8
Hamburger, 1/2”				
Medium	1/4 lb.	Broil	3	6
Well done	1/4 lb.	Broil	3	8
CHICKEN				
Boneless breast, 1”	1/2 lb.	Broil	3	15
Boneless breast, 1”	1/2 lb.	Convection Broil	3	15
Bone-in breast	2 - 3 lbs. total	Broil	1	22
Bone-in breast	2 - 3 lbs. total	Convection Broil	1	20
Chicken pieces	2 - 3 lbs. total	Broil	3	22
Chicken pieces	2 - 3 lbs. total	Convection Broil	3	20
HAM				
Ham slice, 1”	1 lb.	Broil	3	10
LAMB				
Rib chops	12 oz.	Convection Broil	2	8
PORK				
Loin chops, 3/4”	1 lb.	Convection Broil	2	10
Bacon		Broil	2	3
FISH				
Salmon steak	1 lb.	Broil	2	8
Fillet	1 lb.	Broil	2	8

***Note:** The above information is given as a guide only.

Convection Dehydrate

This oven is designed not only to cook, but also to dehydrate fruits and vegetables. Warm air is circulated by a motorized fan in the rear of the oven and over a period of time, the water is removed from the food by evaporation. Removal of water inhibits growth of microorganisms and retards the activity of enzymes. It is important to remember that dehydration does not improve the quality, so only fresh, top-quality foods should be used.

1. Prepare the food as recommended.
2. Arrange the food on drying racks (not included with the oven; contact a local store handling speciality cooking utensils).
3. Set the temperature control to 200°F (93.3°C) and turn on the convection fan switch.

WARNING

You must carefully check the food during the dehydration process to ensure that it does not catch fire.

Convection Defrost

Air is circulated by a motorized fan in the rear of the oven. The fan accelerates natural defrosting of the food without heat. To avoid sickness and food waste, **DO NOT** allow defrosted food to remain in the oven for more than two hours.

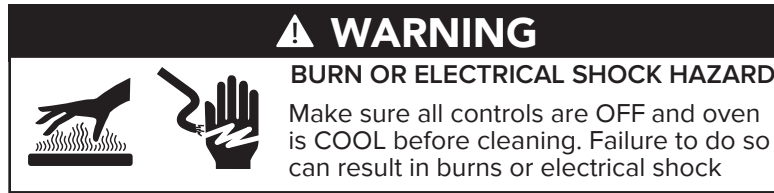
1. Place the frozen food on a baking sheet.
2. Set the oven temperature control knob to "OFF" and turn the oven selector to TRU CONV.

WARNING

To avoid sickness and food waste, **DO NOT** allow defrosted food to remain in the oven for more than two hours.

PRODUCT CARE

Cleaning and Maintenance



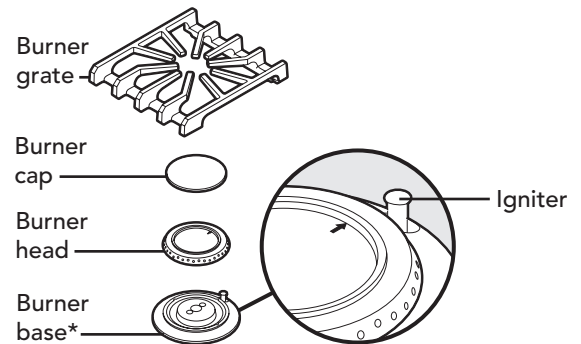
Any piece of equipment works better and lasts longer when maintained properly and kept clean. Cooking equipment is no exception. Your range must be kept clean and maintained properly. Before cleaning, make sure all controls are in the "OFF" position. Disconnect power if you are going to clean thoroughly with water

Surface Burners

NOTE: When replacing burner head, arrow must be pointing towards back of range.

Wipe up spill-overs as soon as possible after they occur and before they get a chance to burn in and cook solid. In the event of a spill-over, follow these steps:

- Allow the burner and grate to cool to a safe temperature level.
- Lift off the burner grate. Wash in warm soapy water.
- Remove the burner head and burner base and clean.



Burner Caps

The surface burner caps should be routinely removed and cleaned. **ALWAYS** clean the burner caps after a spill-over. Keeping the burner caps clean will prevent improper ignition and uneven flames. To clean, pull burner cap straight up from the burner head. Wipe off with warm, soapy water and a soft cloth after each use. Use a non-abrasive cleanser such as Bon Ami™ and a soft brush or soft Scotch Brite™ pad for cooked-on foods. Dry thoroughly after cleaning. For best cleaning and to avoid possible rusting, **DO NOT** clean in dishwasher or self-cleaning oven.

Burner Heads

If ports on burner head are clogged, clean with a straight pin. **DO NOT** enlarge or distort the ports. **DO NOT** use a toothpick to clean the ports. When replacing the burner head, carefully align the 2 tabs underneath the burner head with the outside edge of the burner base. Make sure the tabs are not aligned with the igniter and that the burner cap is level. The arrow on the burner must be pointing towards back of range.

Burner Base

The base should be wiped regularly with hot soapy water at the end of each cooling period. **DO NOT** use steel wool, abrasive cloths, cleanser, or powders. To remove encrusted materials, soak the area with a hot towel to loosen the material, then use a wooden or nylon spatula. **DO NOT** use a metal knife, spatula, or any other metal tool to scrape the aluminum base.

- Wipe up any spills which remain on the sealed top surface.
- Replace burner cap, burner head, and grates after drying thoroughly.

Note: For stubborn stains, use a non abrasive cleanser such as Bon Ami™ and a soft brush or soft Scotch Brite™ pad.

Cleaning Tip: For difficult to clean burner caps and heads, place parts in a zip seal bag with ammonia.

Control Panel

DO NOT use any cleaners containing ammonia or abrasives. They could remove the graphics from the control panel. Use hot, soapy water and a soft clean cloth.

Control Knobs

MAKE SURE ALL THE CONTROL KNOBS POINT TO THE OFF POSITION BEFORE REMOVING. Pull the knobs straight off. Wash in detergent and warm water. Dry completely and replace by pushing firmly onto stem. **DO NOT** use any cleaners containing ammonia or abrasives. They could remove the graphics from the knob.



Oven Surfaces

Several different finishes have been used in your oven. **NEVER USE AMMONIA, STEEL WOOL PADS OR ABRASIVE CLOTHS, CLEANSERS, OVEN CLEANERS, OR ABRASIVE POWDERS. THEY CAN PERMANENTLY DAMAGE YOUR OVEN.**

Stainless Steel Parts

All stainless steel body parts should be wiped regularly with hot soapy water after they have cooled and with a liquid cleaner designed for that material when soapy water will not do the job. **DO NOT** use steel wool, abrasive cloths, cleansers, or powders. If necessary, scrape stainless steel to remove encrusted materials, soak the area with hot towels to loosen the material, then use a wooden or nylon spatula or scraper. **DO NOT** use a metal knife, spatula, or any other metal tool to scrape stainless steel. **DO NOT** permit citrus or tomato juice to remain on stainless steel surface, as citric acid will permanently discolor stainless steel. Wipe up any spills immediately.

Glass Surfaces

Clean with detergent and warm water. Glass cleaner can be used to remove fingerprints. If using glass cleaner ammonia, make sure that it does not run down on exterior door surface.

Broiler Pan and Grid

Clean with detergent and hot water. For stubborn spots, use a soap-filled steel wool pad.

Oven Racks

Using oven cleaner on a chrome-plated or coated oven racks may cause permanent discoloration, pitting, peeling, or loss to the protective finish. This can affect the rack's ability to slide smoothly and may shorten the lifespan. Avoid harsh chemicals and cleaners. Clean with detergent and hot water. Stubborn spots can be scoured with a soap filled steel wool pad. Soaking the racks in equal parts of baking soda and white vinegar can also be effective. To thoroughly dry racks towel dry and then place in oven at low heat for 15 -20 minutes.

⚠ WARNING

NEVER cover any slots, holes or passages in the oven bottom or cover an entire rack with materials such as aluminum foil. Doing so blocks air flow through the oven and may cause carbon monoxide poisoning. Aluminum foil linings may also trap heat, causing a fire hazard.

Replacing Oven Lights

⚠ WARNING



ELECTRICAL SHOCK HAZARD

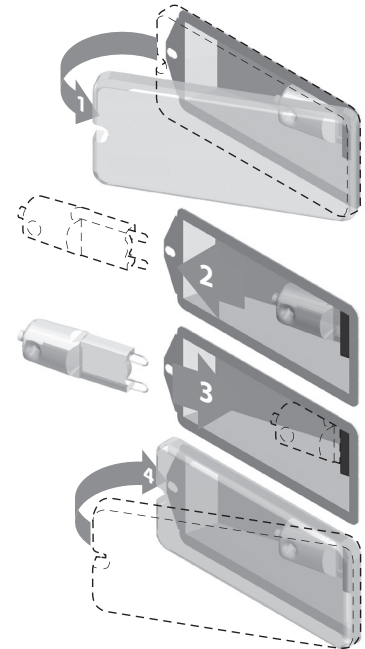
Disconnect the electric power at the main fuse or circuit breaker before replacing bulb.

⚠ WARNING

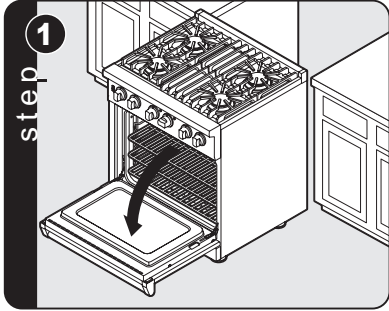
DO NOT touch bulb with bare hands. Clean off any signs of oil from the bulb and handle with a soft cloth.

DO NOT touch bulb with bare hands. Clean off any signs of oil from the bulb and handle with a soft cloth.

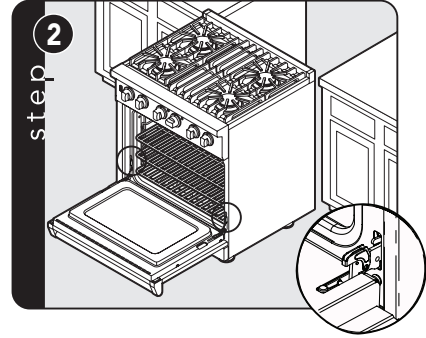
1. Unsnap glass light cover using a screwdriver in the access groove.
2. Firmly grasp light bulb and pull out.
3. Replace with halogen bulb using volt and wattage requirements listed on glass cover.
4. Replace the light cover by snapping glass cover onto metal box.
5. Reconnect power at the main fuse or circuit breaker.



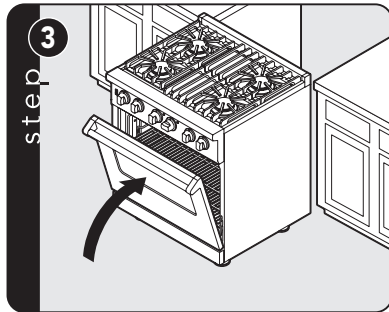
Door Removal



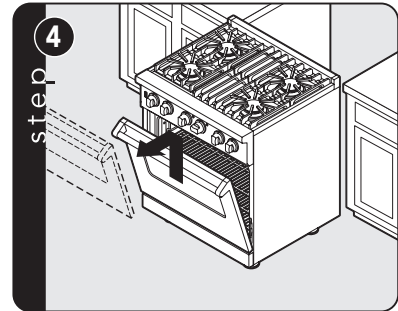
Open door completely.



Fold latches backward until locked in place.

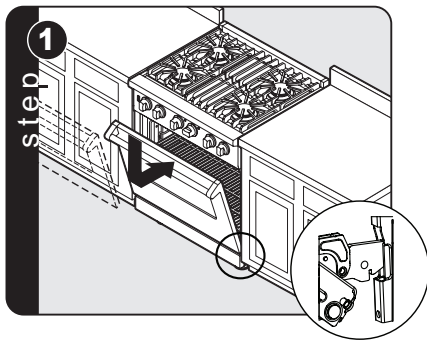


Slowly close until latches stop door.

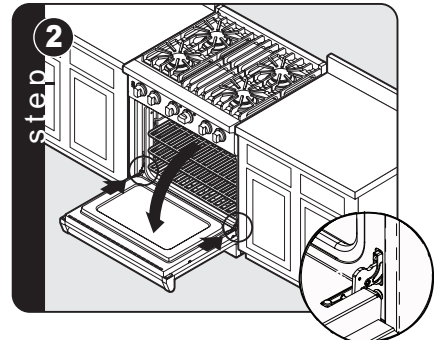


Lift door up and out.

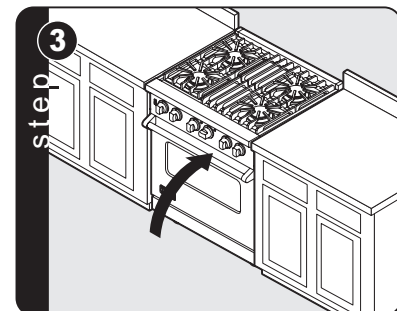
Door Replacement



Carefully realign door on hinges.
Slide in and down.



Open door completely.
Fold latches forward until locked in place.



Close door.

Troubleshooting

Problem	Possible Cause and/or Remedy
Range will not function.	Range is not connected to electrical power: Have electrician check power circuit breaker, wiring, and fuses.
Broil does not work.	Temperature control knob is rotated too far past broil position.
Oven light will not work.	Light bulb is burned out. Range is not connected to power.
Igniters will not work.	Circuit is tripped. Fuse is blown. Range is not connected to power.
Igniters sparking but no flame ignition.	Gas supply valve is in "OFF" position. Gas supply is interrupted.
Igniters sparking continuously after flame ignition.	Power supply is not grounded. Power supply polarity is reversed. Igniters are wet or dirty.
Burner ignites but flame is large, distorted, or yellow.	Burner ports are clogged. Unit is being operated on wrong type of gas. Air shutters not properly adjusted.
Strong odor and/or smoke is noticed first few times oven is used.	This is normal burn off of insulation and protective oils in oven. This will go away after using oven a few times.
Oven indicator light on; oven will not heat.	Oven is operating properly. Unit will resume heating function once it has cooled.

Service Information

If service is required, contact your authorized service agency.

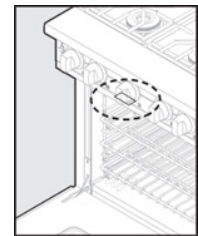
Have the following information readily available.

- Model number
- Serial number
- Date purchased
- Name of dealer from whom purchased

Clearly describe the problem that you are having. If you are unable to obtain the name of an authorized service agency, or if you continue to have service problems, contact Viking Range, LLC at 1-888-845-4641, or write to:

Viking Range, LLC
PREFERRED SERVICE
 111 Front Street
 Greenwood, Mississippi 38930 USA

Record the information indicated below. You will need it if service is ever required. The model and serial number for your range can be found by opening door and looking under the control panel. .



Model no. _____

Serial no. _____

Date of purchase _____

Date installed _____

Dealer's name _____

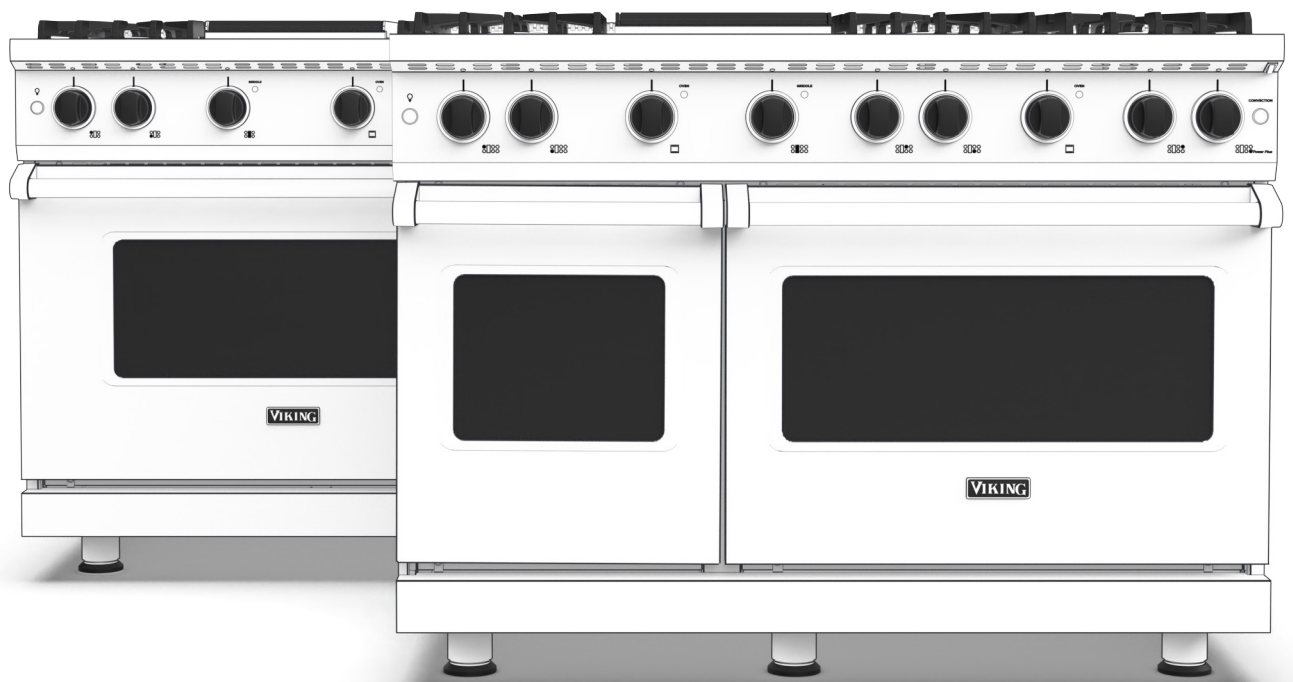
Address _____

If service requires installation of parts, use only authorized parts to insure protection under the warranty.

These installation instructions should remain with the unit for future reference.

Viking Range, LLC
 111 Front Street
 Greenwood, Mississippi 38930 USA
 (662) 455-1200

For product information, call 1-888-845-4641
 or visit our website at vikingrange.com



Manual d'utilisation et d'entretien

5 SÉRIES

Cuisinières au gaz professionnelles

VGR53044B | VGR53646B | VGR53644G

VGR54848B | VGR54846G | VGR56046GQ



Félicitations

Félicitations et bienvenue au club très sélect des propriétaires d'appareils Viking. Nous espérons que vous aimerez et apprécierez le soin et l'attention que nous avons prêtés à chaque détail de votre nouvelle cuisinière à la pointe de la technique.

Votre cuisinière a été conçue pour vous offrir des années de service fiable. Ce manuel d'utilisation et d'entretien vous fournira les informations nécessaires pour vous familiariser avec le fonctionnement et l'entretien de votre cuisinière.

Votre satisfaction complète est notre seul et unique objectif. Pour toute question ou tout commentaire sur ce produit, contactez le revendeur chez lequel vous l'avez acheté ou contactez notre Centre de service clientèle au 1-888-845-4641.

Nous apprécions votre choix d'une cuisinière Viking et espérons que vous choisirez de nouveau nos produits pour d'autres appareils électroménagers majeurs.

Pour plus d'informations sur la gamme croissante et complète de produits Viking, allez voir notre site Web www.vikingrange.com

Table des matières

Mise en route3	Gril	20
Avertissements3	Déshydratation par convection	22
Avant d'utiliser la cuisinière8	Décongélation par convection.	23
Commandes8	Entretien du produit23
Fonctions et réglages du four8	Nettoyage et Maintenance.	23
Fonctions et caractéristiques de la cuisinière9	Remplacement des Lampes Intérieures	25
Mode d'emploi10	Démontage de la porte.	26
Fonctionnement des plaques de cuisson.	10	Remplacement de la Porte	26
Allumage des brûleurs.	10	Dépannage	27
Brûleurs – rallumage automatique	10	Service Après-vente	28
Vari-Simmer™	10		
Conseils de cuisson (cuisinière).	10		
Récipients de cuisson	11		
Fonctionnement de la plaque chauffante/plaque à mijoter	12		
Fonctionnement Char-Gril	13		
Caractéristiques et fonctions du four	14		
Positions de grille.	14		
Mode d'emploi du four	15		
Cuisson conventionnelle/par convection	15		
BAKE (cuisson au four par circulation d'air naturelle)	15		
CONVECTION BAKE	16		

MISE EN ROUTE

Avertissements


Les avertissements et consignes de sécurité importantes qui apparaissent dans ce manuel ne couvrent pas toutes les conditions et situations possibles. Vous devrez faire preuve de bon sens et de prudence lors de l'installation, de la maintenance et de l'utilisation de l'appareil.

Contactez **TOUJOURS** le fabricant pour tout problème ou toute condition que vous ne comprenez pas.

Reconnaissance des symboles, mots et étiquettes de sécurité

⚠ DANGER
Dangers ou pratiques dangereuses qui CAUSERONT des blessures graves ou mort d'homme.
⚠ AVERTISSEMENT
Dangers ou pratiques dangereuses qui RISQUENT de causer des blessures graves ou mort d'homme.
⚠ ATTENTION
Dangers ou pratiques dangereuses qui RISQUENT de causer des blessures mineures.
Toutes les consignes de sécurité identifieront le danger, expliqueront comment réduire le risque de blessure et ce qui risque de se produire si ces instructions ne sont pas suivies.

⚠ AVERTISSEMENT
NE PAS utiliser de nettoyeurs pour four vendus dans le commerce pour nettoyer l'intérieur du four. L'utilisation de ces produits nettoyeurs peut engendrer des vapeurs dangereuses et endommager la finition en porcelaine.

⚠ AVERTISSEMENT
 Pour éviter tout risque de dégâts matériels, de blessure ou de mort d'homme, suivre à la lettre les informations figurant dans ce manuel afin d'empêcher un incendie ou une explosion. NE PAS ranger et utiliser d'essence ou d'autres vapeurs et liquides inflammables à proximité de cet appareil ou d'un autre appareil.

⚠ AVERTISSEMENT
Si les informations figurant dans ce manuel ne sont pas suivies à la lettre, il peut en résulter un incendie ou une explosion pouvant causer des dégâts matériels, des blessures, voire mort d'homme.
QUE FAIRE SI VOUS SENTEZ UNE ODEUR DE GAZ:
<ul style="list-style-type: none"> • NE PAS essayer d'allumer un appareil • NE PAS toucher d'interrupteur électrique. • NE PAS utiliser de téléphone dans votre bâtiment. • Appeler immédiatement votre fournisseur de gaz depuis chez un voisin. Suivre les instructions de votre fournisseur de gaz. • Si le fournisseur de gaz ne peut être rejoint, appeler les pompiers. L'installation et la maintenance doivent être confiées à un installateur qualifié, un réparateur agréé ou le fournisseur de gaz.

⚠ AVERTISSEMENT
RISQUE DE BASCULEMENT
  Pour réduire le risque de basculement de l'appareil, le fixer à l'aide d'équerres anti-basculement correctement installées. Pour s'assurer que l'équerre a été correctement installée, regarder derrière la cuisinière avec une lampe de poche pour vérifier son enclenchement correct en haut à gauche de la cuisinière.
<ul style="list-style-type: none"> • CETTE CUISINIÈRE PEUT BASCULER. • RISQUE DE BLESSURE. • INSTALLER LE DISPOSITIF ANTI-BASCULEMENT FOURNI AVEC LA CUISINIÈRE. • VOIR LES INSTRUCTIONS D'INSTALLATION.

Lire et suivre toutes les instructions avant d'utiliser cet appareil pour éviter tout risque d'incendie, d'électrocution, de blessure et de dégâts matériels résultant de l'utilisation impropre de l'appareil. Utiliser cet appareil uniquement aux fins indiquées dans ce manuel.

Pour garantir un fonctionnement correct et sûr: L'appareil doit être correctement installé et mis à la terre par un technicien qualifié. **NE PAS** essayer de régler, de réparer ou de remplacer une pièce de l'appareil, sauf recommandation contraire spécifique dans le manuel. Toute autre maintenance devra être confiée à un technicien qualifié. Demander à l'installateur de montrer l'endroit du robinet d'arrêt de gaz et la procédure de fermeture du robinet en cas d'urgence. L'intervention d'un technicien qualifié est obligatoire pour tout réglage ou conversion du gaz naturel au gaz PL.

CONSERVER CES INSTRUCTIONS À TITRE DE RÉFÉRENCE ULTÉRIEURE.

Pour éviter tout risque d'incendie et de fumée

- Veiller à retirer tous les matériaux d'emballage de l'appareil avant de l'utiliser.
- Laisser la zone autour de l'appareil dégagée et dépourvue de matériaux combustibles, d'essence et autres vapeurs et liquides inflammables.
- Si l'appareil est installé près d'une fenêtre, prendre les précautions adéquates pour empêcher les rideaux de flotter au-dessus des plaques de cuisson.
- **NE JAMAIS** rien laisser sur la cuisinière. L'air chaud de la bouche d'aération risque d'enflammer les articles inflammables et d'augmenter la pression dans les récipients fermés, ce qui risque de les faire exploser.
- De nombreuses bombes à aérosol peuvent **EXPLOSER** lorsqu'elles sont exposées à la chaleur et être très inflammables. Éviter de les utiliser ou de les ranger près d'un appareil.
- De nombreux plastiques sont vulnérables à la chaleur. Tenir les plastiques à l'écart des composants de l'appareil qui sont susceptibles de chauffer. **NE PAS** laisser d'articles en plastique sur la cuisinière; ils pourraient fondre ou ramollir s'ils restent trop près d'une bouche d'aération ou d'un brûleur allumé.
- Les articles combustibles (papier, plastique, etc.) pourraient s'enflammer et les articles métalliques risquent de chauffer et de causer des brûlures. **NE PAS** verser d'alcool sur des aliments chauds. **NE PAS** laisser le four sans supervision lorsque vous faites sécher des herbes, du pain, des champignons, etc.; risque d'incendie.

En cas d'incendie

Éteindre l'appareil et la hotte aspirante pour éviter de propager l'incendie. Éteindre la flamme, puis allumer la hotte aspirante pour éliminer la fumée et l'odeur.

- **Cuisinière** : Éteindre le feu ou la flamme dans une poêle à l'aide d'un couvercle ou d'une tôle de cuisson.
- **NE JAMAIS** saisir ou déplacer une poêle contenant des flammes
- **Four** : Éteindre le feu ou la flamme en fermant la porte du four. **NE PAS** utiliser d'eau pour éteindre de la graisse qui s'est enflammée. Utiliser du bicarbonate de soude, un extincteur à poudre chimique ou un extincteur à mousse pour éteindre un incendie ou une flamme.
- **GRAISSE** – La graisse est inflammable et doit être manipulée avec précaution. **NE PAS** utiliser d'eau pour éteindre de la graisse qui s'est enflammée. La graisse enflammée s'éteint avec du bicarbonate de soude ou, si disponible, un extincteur polyvalent du type à mousse ou à poudre pour feux spéciaux. Laisser refroidir complètement avant d'essayer de la manipuler. **NE PAS** laisser la graisse s'accumuler autour du four ou dans les bouches d'aération. Essuyer immédiatement les déversements.

Sécurité des enfants

- **NE JAMAIS** laisser d'enfants seuls ou sans supervision près de l'appareil quand il est utilisé ou encore chaud.
- **NE JAMAIS** laisser un enfant s'asseoir ou se tenir debout sur une partie de l'appareil; il y aurait risque de blessure ou de brûlure.
- **NE RIEN** ranger qui puisse attirer un enfant sur le four. Les enfants qui grimpent pour atteindre des objets pourraient être gravement blessés.
- Les enfants doivent apprendre que l'appareil et les ustensiles qu'il contient peuvent être chauds. Laisser refroidir les ustensiles en lieu sûr, hors de portée des enfants. Il faut apprendre aux enfants que l'appareil n'est pas un jouet. Les enfants ne doivent pas être autorisés à manier les commandes ou d'autres composants de l'appareil.

Sécurité liée à la cuisson

- Afin d'éliminer le danger pour les enfants qui tendent le bras au-dessus de brûleurs, aucun placard ne doit se trouver juste au-dessus de la cuisinière. Si une armoire se trouve à cet endroit, y ranger uniquement des articles peu utilisés et sans risque de stockage à un endroit sujet à la chaleur d'un appareil. Certaines températures peuvent être dangereuses pour certains produits, comme des liquides volatils, des nettoyants ou des aérosols.
- **TOUJOURS** placer la poêle sur le brûleur avant de l'allumer. Vérifier quel bouton commande quel brûleur. S'assurer que le bon brûleur est activé et qu'il s'est allumé. Une fois la cuisson terminée, éteindre le brûleur avant de retirer la poêle ou la casserole pour empêcher toute exposition à la flamme du brûleur.
- **TOUJOURS** ajuster la flamme du brûleur pour qu'elle ne dépasse pas du dessous de la poêle ou de la casserole. Une flamme excessive est dangereuse, gaspille de l'énergie et risque d'endommager l'appareil, la poêle ou la casserole ou les armoires au-dessus de l'appareil. Ces conclusions sont basées sur des considérations de sécurité.

- **NE JAMAIS** laisser une cuisinière en marche sans surveillance, surtout sur feu fort ou en cas de cuisson dans un bain de friture. Les débordements causent de la fumée et des déversements gras sont susceptibles de s'enflammer. Nettoyer les déversements gras le plus tôt possible. **NE PAS** utiliser un feu fort pendant de longs temps de cuisson.
- **NE PAS** faire chauffer des boîtes d'aliments non ouvertes; l'accumulation de pression risque d'entraîner l'explosion de la boîte.
- Utiliser des maniques solides et sèches. Les maniques humides risquent de causer des brûlures par la vapeur. Les torchons ou autres ne doivent **JAMAIS** être utilisés comme maniques, car ils peuvent traîner sur un brûleur et s'enflammer ou se prendre sur les composants de l'appareil.
- **TOUJOURS** laisser refroidir la graisse brûlante utilisée pour la friture avant d'essayer de la déplacer ou de la manipuler.
- Faire attention lors de l'ouverture de la porte du four. Laisser l'air chaud ou la vapeur s'échapper avant de retirer ou de remettre des aliments à l'intérieur.
- **NE JAMAIS** utiliser de papier d'aluminium pour recouvrir les grilles et le fond du four; cela pourrait provoquer une électrocution, un incendie ou des dégâts matériels. Utiliser du papier d'aluminium uniquement comme indiqué dans ce guide.
- Não cozinhe diretamente na parte inferior do forno. Isto pode resultar em danos ao aparelho. Coloque sempre panelas nas prateleiras do forno.
- **AVERTISSEMENT LIÉ AUX PLATS PRÉPARÉS** : Suivre les instructions du fabricant. Si une boîte de congélation en plastique et/ou son couvercle se déforme ou est endommagé d'une autre manière en cours de cuisson, jeter immédiatement le plat cuisiné et sa boîte. Les aliments sont peut-être contaminés.
- Avant de faire flamber un plat à l'alcool sous une hotte aspirante, **ÉTEINDRE LA HOTTE**. Le courant d'air risque de causer la propagation des flammes.
- Une fois l'appareil installé comme indiqué dans les instructions d'installation, il est important que l'arrivée d'air frais ne soit pas obstruée. L'utilisation d'un appareil de cuisson au gaz engendre la production de chaleur et d'humidité dans la pièce. S'assurer que la cuisine est bien ventilée. Maintenir les trous naturels de ventilation ouverts ou installer un dispositif de ventilation mécanique. L'utilisation prolongée ou intensive de l'appareil pourra exiger une ventilation supplémentaire (comme l'ouverture d'une fenêtre) ou plus efficace (augmentation du niveau de ventilation mécanique, si possible).

Sécurité liée aux ustensiles

- Utiliser des poêles et casseroles à fond plat et à manche ou poignées faciles à saisir et qui ne chauffent pas. Éviter d'utiliser des poêles et casseroles bancales, déformées, faciles à renverser ou dont le manche ou les poignées ont du jeu. Éviter également l'utilisation de poêles et casseroles, surtout de petite taille, à manche lourd, car elles risquent d'être instables et d'être facilement renversées. Les poêles et casseroles lourdes qui sont difficiles à déplacer lorsqu'elles sont pleines d'aliments peuvent également être dangereuses.
- S'assurer que l'ustensile est assez grand pour contenir facilement les aliments et éviter les débordements. La taille de la poêle ou de la casserole est particulièrement importante dans le cas de la cuisson dans un bain de friture. S'assurer que la poêle ou la casserole pourra contenir le volume d'aliments à ajouter, en tenant compte de l'action de la graisse en ébullition.
- Pour minimiser les brûlures, l'inflammation de matières inflammables et les déversements en raison d'un contact accidentel avec l'ustensile, **NE PAS** faire orienter les manches au-dessus des brûleurs adjacents. **TOUJOURS** tourner les manches de casserole et poêle vers le côté ou l'arrière de l'appareil, et non pas vers l'avant de la cuisinière, où de jeunes enfants pourraient facilement les atteindre ou les cogner.
- **NE JAMAIS** laisser toute l'eau s'évaporer d'une casserole contenant de l'eau en ébullition; cela pourrait endommager l'ustensile et l'appareil.
- Suivre le mode d'emploi du fabricant lorsque des sacs de cuisson au four sont utilisés.
- Seuls certains types d'ustensiles en verre, verre/céramique, céramique ou émaillés sont adaptés à une utilisation sur les plaques de cuisson ou dans le four sans risque de bris sous l'effet du changement subit de température. Suivre les instructions du fabricant de l'ustensile en question.
- La bonne performance de cet appareil a été testée à l'aide d'une batterie de cuisine conventionnelle. **NE PAS** utiliser de dispositifs ou d'accessoires qui ne sont pas spécifiquement recommandés dans ce guide. **NE PAS** utiliser de couvercles sur les plaques de cuisson, les grils sur cuisinière ou les systèmes supplémentaires de cuisson au four par convection. L'utilisation de dispositifs ou d'accessoires non expressément recommandés dans ce manuel risque de poser des problèmes graves de sécurité et des problèmes de performance et de réduire la durée de vie des composants de l'appareil.
- La flamme du brûleur devra être ajustée pour couvrir juste le fond de la casserole ou de la poêle sans dépasser.

Un brûleur réglé trop fort risque de faire brûler la surface des comptoirs adjacents, de même que l'extérieur de l'ustensile. Ces conclusions sont basées sur des considérations de sécurité.

Brûleurs

- **NE JAMAIS** toucher les zones à proximité des brûleurs de cuisson au four et du gril ou les surfaces intérieures du four.
- Ils risquent d'être brûlants, même s'ils ne luisent pas. Les zones à proximité des brûleurs et les surfaces intérieures d'un four risquent de chauffer suffisamment pour causer des brûlures.
- Durant et après utilisation, **NE PAS** toucher ni laisser vêtements ou autres produits inflammables entrer en contact avec des brûleurs, les zones à proximité des éléments chauffants ou les surfaces intérieures du four avant qu'ils n'aient eu le temps de refroidir. Les autres surfaces du four peuvent chauffer au point de causer des brûlures, notamment la bouche d'aération, la surface près de la bouche d'aération et la vitre de la porte du four.

Sécurité liée au nettoyage

- Éteindre toutes les commandes et attendre le refroidissement des composants de l'appareil avant de les toucher ou de les nettoyer. **NE PAS** toucher les grilles de brûleur ou les zones avoisinantes avant qu'elles n'aient eu le temps de refroidir.
- Nettoyer l'appareil avec précaution. Faire attention pour éviter les brûlures par la vapeur si une éponge ou un chiffon mouillés sont utilisés pour essuyer un déversement de liquide sur une surface brûlante. Certains nettoyeurs peuvent dégager des vapeurs toxiques s'ils sont appliqués sur une surface brûlante.
- **NE PAS** nettoyer le joint de porte. Cela est essentiel pour le maintien d'une bonne étanchéité. Veiller à ne pas frotter, endommager ou déplacer le joint.
- N'utiliser aucun nettoyant pour four commercial ou chemisage de protection comme du papier d'aluminium dans ou sur une partie quelconque du four. Le chemisage impropre du four présente un risque d'électrocution ou d'incendie. Empêcher l'accumulation de graisse dans le four.

Consigne de sécurité et avertissement importants

- La loi Safe Drinking Water and Toxic Enforcement Act promulguée en 1986 en Californie (Proposition 65) exige que le gouverneur de Californie publie la liste des substances connues dans l'État de la Californie comme causant un cancer ou des problèmes de reproduction et que les entreprises avertissent leurs clients des risques d'exposition à de telles substances. Les utilisateurs de cet appareil sont ici avertis que lorsque le cycle de nettoyage automatique démarre, une exposition à de bas niveaux des substances indiquées, notamment du monoxyde de carbone, est possible. Une exposition à ces substances peut être minimisée en ventilant correctement le four vers l'extérieur en ouvrant les fenêtres et/ou la porte de la pièce où se trouve le four durant le cycle de nettoyage automatique.

Avis important lié aux oiseaux domestiques

NE JAMAIS laisser d'oiseaux domestiques dans la cuisine ou dans des pièces où peuvent entrer les vapeurs de la cuisine. Les oiseaux ont un appareil respiratoire très sensible. Les vapeurs dégagées durant un cycle de nettoyage automatique peuvent être nocives, voire mortelles, pour les oiseaux. Les vapeurs dégagées suite à la surchauffe de l'huile ou de la graisse de cuisson, de la margarine et d'une poêle à revêtement anti-adhésif peuvent être tout aussi nocives.

À propos de votre appareil

- Pour assurer le fonctionnement correct et efficace du four, **NE PAS** bloquer ni obstruer la conduite de ventilation située à droite de la grille d'aération.
- Éviter de toucher la zone de ventilation du four pendant que le four est allumé et pour plusieurs minutes après son extinction. Lorsque le four est en marche, la zone de ventilation et la zone avoisinante deviennent assez chaudes pour causer des brûlures. Après l'arrêt du four, **NE PAS** toucher la zone de ventilation ou les zones avoisinantes avant qu'elles n'aient eu le temps de refroidir.
- Les autres surfaces potentiellement brûlantes incluent la cuisinière, les zones face à la cuisinière, la zone de ventilation du four, les surfaces proches de la bouche d'aération, la porte du four et le pourtour de la porte et de la vitre du four.
- L'utilisation impropre des portes de four (en montant, s'asseyant ou s'appuyant dessus) comporte des dangers et/ou peut provoquer des blessures

Panne de courant

En cas de panne de courant, les allumeurs électriques ne fonctionneront pas. N'essayez pas d'utiliser l'appareil en cas de panne de courant. Assurez-vous que les commandes du four sont sur OFF.

Une panne de courant momentanée peut passer inaperçue. La cuisinière est affectée uniquement en cas de panne de courant. Une fois l'électricité rétablie, la cuisinière fonctionnera correctement sans réglage. Une panne de courant partielle peut affecter ou non le fonctionnement de la cuisinière, selon la sévérité de la panne. Si la cuisinière est en cycle de nettoyage automatique durant une panne de courant, attendez le rétablissement du courant et attendez le déverrouillage automatique de la porte. Mettez toutes les commandes sur OFF et redémarrez le cycle de nettoyage automatique, en suivant les instructions.

⚠ AVERTISSEMENT

NE JAMAIS utiliser l'appareil comme radiateur d'ambiance pour chauffer la pièce; cela pourrait causer des blessures et des dégâts matériels. De plus, **NE PAS** utiliser la cuisinière ou le four comme zone de rangement d'aliments ou d'ustensiles de cuisson.

⚠ AVERTISSEMENT

NE JAMAIS couvrir de trou, fente ou passage au fond du four ou une grille tout entière de papier d'aluminium. Cela entraverait la circulation d'air dans le four et risquerait d'engendrer un empoisonnement au monoxyde de carbone. Le chemisage des grilles avec du papier d'aluminium risque également d'emprisonner la chaleur et de créer un risque d'incendie.

⚠ AVERTISSEMENT

Ne placez jamais de casseroles directement au fond du four. Cela pourrait endommager l'appareil. Utilisez toujours les grilles du four pour la cuisson.

⚠ AVERTISSEMENT

RISQUE D'ÉLECTROCUTION

 Débrancher l'alimentation électrique au niveau du fusible ou du disjoncteur général avant de remplacer l'ampoule.

⚠ AVERTISSEMENT

RISQUE DE BRÛLURE OU D'ÉLECTROCUTION


 S'assurer que toutes les commandes sont sur OFF et que le four est FROID avant de nettoyer le four, sinon il pourrait y avoir risque de brûlure ou d'électrocution.

⚠ ATTENTION

Pour éviter la maladie et le gaspillage d'aliments, **NE PAS** laisser les aliments dégelés au four pendant plus de deux heures.

⚠ AVERTISSEMENT

RISQUE D'ÉLECTROCUTION

 **NE PAS** toucher l'ampoule de four brûlante avec un chiffon humide; cela pourrait casser l'ampoule. Si l'ampoule se casse, débrancher l'alimentation de l'appareil avant de retirer l'ampoule afin d'éviter l'électrocution.

⚠ AVERTISSEMENT

RISQUE DE BRÛLURE

 La porte du four, surtout la vitre, peut devenir brûlante.
Risque de brûlure : NE PAS toucher le verre!

⚠ AVERTISSEMENT

NE RIEN ranger qui puisse attirer un enfant sur le four. Les enfants qui grimpent pour atteindre des objets pourraient être gravement blessés.

⚠ ATTENTION

NE PAS activer le sélecteur de température en cours de décongélation. En effet, la mise en marche du ventilateur de convection accélérera la décongélation naturelle des aliments sans la chaleur.

⚠ AVIS

Vous devez contrôler de près les aliments durant le processus de déshydratation pour veiller à ce qu'ils ne prennent pas feu.

⚠ AVERTISSEMENT

Cet appareil n'a pas été conçu pour être utilisé par des personnes (notamment des enfants) ayant des capacités physiques, sensorielles ou mentales réduites ou n'ayant pas suffisamment d'expérience ou de connaissances, à moins qu'elles ne soient supervisées ou n'aient reçu des instructions concernant l'utilisation de l'appareil par une personne responsable de leur sécurité. Les enfants doivent être surveillés afin de garantir qu'ils ne jouent pas avec l'appareil.

Avant d'utiliser la cuisinière

Tous les produits sont nettoyés à l'usine avec des solvants pour éliminer tout signe visible de salissures, d'huile et de graisse pouvant rester du processus de fabrication. Avant de commencer à faire cuire, nettoyez minutieusement la cuisinière avec de l'eau savonneuse et chaude. Il est possible qu'une légère odeur de brûlé se dégage lors de la première utilisation de l'appareil – cela est normal.

Four

Important! Avant la première utilisation, passez de l'eau savonneuse à l'intérieur avec une éponge et essuyez bien. Ensuite, réglez le sélecteur du four sur BAKE et le thermostat à 450 °F et faites marcher pendant une heure.

Tous les modèles de cuisinière à gaz VGR5 comprennent:

- **Exclusif!** Un Système de Brûleurs étanches VSH™ (VariSimmer™ à High) brûleur droit avant équipé de TruPower Plus™ 18 500 BTU Brûleur. Tous les autres brûleurs équipés de 15 000 BTU.
- **Exclusif** Le Réglage VariSimmer™ pour tous les brûleurs offre une cuisson douce et constante.
- **Exclusif** Le Système d'Allumage SureSpark™ avec rallumage automatique pour un allumage adéquat et fiable de tous les brûleurs.
- **Exclusif** Une surface de cuisson à pièce unique travaillée et en porcelaine qui permet de confiner les débordements pour un nettoyage facile.
- Cinq modes de performance—notamment la cuisson au four par convection et la cuisson au gril par convection—qui permettent la circulation de l'air pour des durées de cuisson plus courtes avec les mêmes résultats.
- La cuisson au four par convection à l'aide d'un brûleur caché de 30 000 BTU permet de réaliser une cuisson au four rapide pour tous les plats à casserole et facilite le nettoyage.
- Un gril infrarouge à porte fermée de 1500°F permet à la chaleur intense de griller des coupes de viande délicates, pour une qualité restaurant.
- Deux ampoules halogènes illuminent la cavité du four sans vous éblouir.
- Six supports de grille et trois grilles offrent assez d'espace pour vos cuissons au four.

COMMANDES

Fonctions et réglages du four

BAKE (cuisson au four avec deux éléments chauffants)

Utilisez ce réglage pour faire cuire des gâteaux, des rôtis et des plats en cocotte.

CONV BAKE (cuisson au four par convection)

Utilisez ce réglage pour faire cuire pâtisseries, pains et rôtis en même temps avec un transfert de goût minimum.

BROIL (cuisson au gril infrarouge)

Utilisez ce réglage pour faire griller les viandes brunes de 2,5 cm d'épaisseur maximum devant être cuites à point ou saignantes.

CONVECTION BROIL (cuisson au gril infrarouge par convection)

Utilisez ce réglage pour faire griller des morceaux épais de viande.

CONVECTION BAKE (Déshydratation par convection)

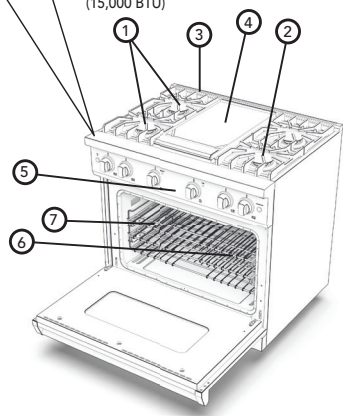
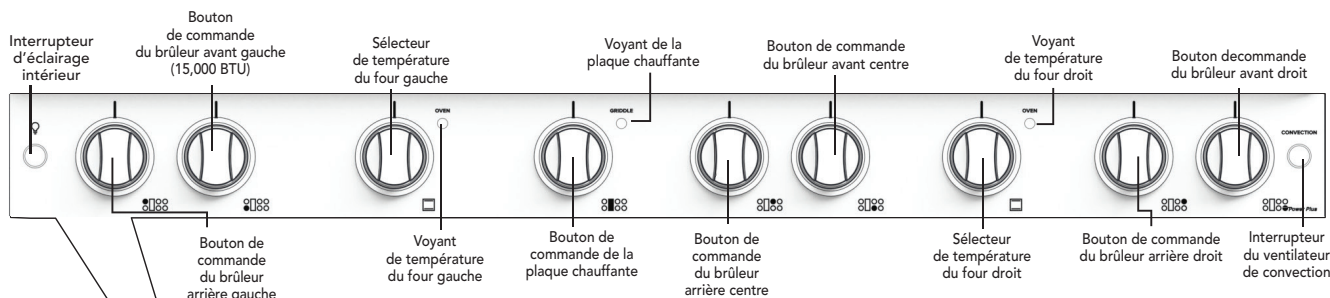
Utilisez cette fonction pour déshydrater fruits et légumes.

CONVECTION BAKE (Décongélation par convection)

Utilisez cette fonction pour décongeler les aliments.

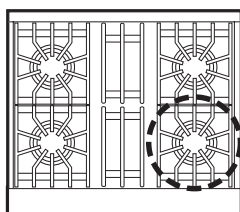
Remarque: Pour plus d'informations sur les fonctions du four, voir la section « Mode d'emploi ».

Fonctions et caractéristiques de la cuisinière

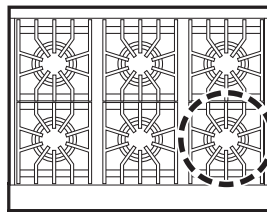


1. Brûleurs étanches 15 000 BTU avec chapeaux de brûleur en fonte/porcelaine et allumage/rallumage automatiques
2. Brûleurs étanches 18 500 BTU avec chapeaux de brûleur en fonte/porcelaine et allumage/rallumage automatiques
3. Plaque chauffante (option)
4. Garniture d'îlot
5. Plaque d'identification
6. Deux grilles pleine extension/Un courante grille/six positions de grille
7. Trois courante grille/ six positions de grille

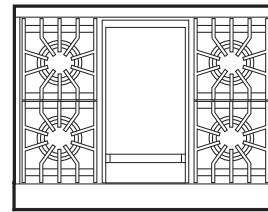

 Désigne les modèles dotés d'un brûleur TruPower Plus™ 18 500 BTU



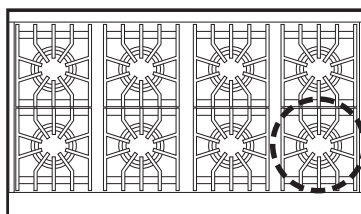
30" (76 cm)
quatre brûleurs



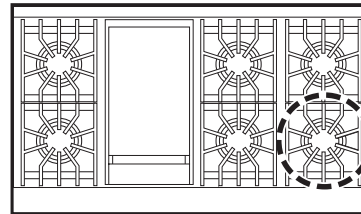
36" (91 cm)
six brûleurs



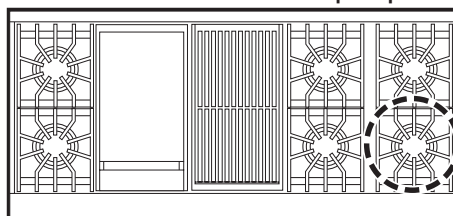
36" (91 cm)
quatre brûleurs/
plaque chauffante



48" (122 cm)
huit brûleurs



48" (122 cm)
six brûleurs/
plaque chauffante



60" (152 cm)
six brûleurs/
gril/plaque chauffante

MODE D'EMPLOI

Fonctionnement des plaques de cuisson

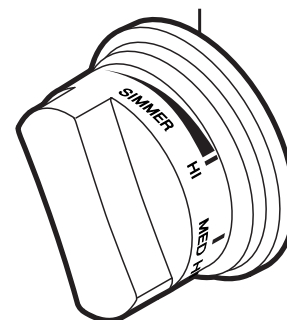
Allumage des brûleurs

Tous les brûleurs sont à allumage électrique. Il n'y a pas de veilleuses à flamme nue.

Brûleurs – rallumage automatique

Pour allumer les brûleurs, poussez et tournez le bouton approprié dans le sens anti-horaire sur une position quelconque. Cette commande fait à la fois office de robinet de gaz et d'interrupteur électrique. Les brûleurs s'allument sur toute position ON grâce au système de rallumage automatique. Si la flamme s'éteint pour une raison quelconque, les brûleurs se rallument automatiquement si le gaz circule encore. Lorsque le gaz circule jusqu'aux brûleurs, les allumeurs électriques commencent à faire des étincelles. Sur tous les allumeurs de surface, vous devriez entendre un cliquetis. Si ce n'est pas le cas, arrêtez la commande et assurez-vous que l'appareil est branché et que le fusible ou le disjoncteur n'a pas fondu ou ne s'est pas déclenché.

Peu après, une quantité suffisante de gaz devrait avoir été acheminée jusqu'au brûleur pour permettre son allumage. Une fois le brûleur allumé, tournez sa commande sur n'importe quelle position pour ajuster la hauteur de flamme. Le réglage de la hauteur de flamme correcte pour le processus de cuisson souhaité et la sélection de l'article de cuisson adapté donneront une performance de cuisson supérieure, tout en économisant du temps et de l'énergie.



Vari-Simmer™

Faire mijoter ou cuire à feu doux est une technique de cuisson par laquelle les aliments sont cuits dans un liquide chaud maintenu au point d'ébullition de l'eau ou juste en dessous. En faisant mijoter, vous exposez les aliments à un traitement plus doux qu'une cuisson à gros bouillons et empêchez leur durcissement et/ou leur réduction en miettes. La taille du faitout et le volume d'aliments peuvent avoir un effet significatif sur la hauteur de flamme nécessaire pour faire mijoter. C'est pourquoi les brûleurs de cuisinière Viking sont conçus avec un réglage Vari-Simmer. Le réglage Vari-Simmer n'a pas qu'un seul réglage pour faire mijoter, mais une plage variable de réglages. Cette plage variable de réglages pour faire mijoter vous permet d'ajuster la hauteur de flamme pour donner le meilleur résultat selon le type et la quantité d'aliments mijotés. Cette caractéristique fait du réglage Vari-Simmer la commande de ce type la plus précise et fiable sur le marché.

Brûleur TruPower Plus™ (le cas échéant)

Certains modèles de plaques de cuisson sont équipés d'un brûleur TruPower Plus de 18 500 BTU sur l'avant à droite. Ce brûleur ultra-chaud fournit un surcroît de chaleur et il est particulièrement utile lorsque vous cuisez dans des grandes casseroles; il est conseillé de l'utiliser pour saisir de grandes quantités ou pour porter un liquide à ébullition rapidement. Bien que le brûleur TruPower Plus soit assez puissant pour vite porter à ébullition de grands volumes de liquide, il peut également être baissé suffisamment pour fournir un petit feu et faire mijoter, ce brûleur étant le plus polyvalent qui existe actuellement.

Conseils de cuisson (cuisinière)

- Utilisez un feu doux ou moyen avec des articles de cuisson qui ne conduisent pas bien la chaleur, tels que le verre, la céramique et la fonte. Baissez le feu jusqu'à ce qu'il couvre approximativement 1/3 du diamètre de l'article de cuisson. Vous garantirez ainsi la chauffe uniforme de l'article de cuisson et réduirez le risque de brûlure des aliments.
- Baissez le feu si des flammes dépassent du fond de l'article de cuisson. Une flamme qui lèche les parois de l'article de cuisson est potentiellement dangereuse, chauffera son manche ou ses poignées et la cuisine au lieu des aliments, se soldant par un gaspillage d'énergie.
- Baissez le feu au minimum nécessaire pour effectuer la cuisson souhaitée. Rappelez-vous que les aliments cuisent aussi vite à petits bouillons qu'à gros bouillons. Le maintien d'un gros bouillon est un gaspillage inutile d'énergie, déshydrate les aliments et engendre une perte de goût et d'éléments nutritifs.

- Le diamètre de casserole ou poêle minimum recommandé est de 6 po (15 cm). L'utilisation de casseroles ou poêles de 4 po (10 cm) est possible, mais non recommandée.

Fonctionnement des plaques de cuisson

Réglages des brûleurs*

Réglage	Utilisation
Simmer	Faire fondre de petites quantités Cuisson du riz à la vapeur Faire mijoter les sauces
Low	Faire fondre de grandes quantités
Med Low	Faire frire à basse température (œufs, etc.) Faire mijoter de grandes quantités Faire chauffer le lait, les sauces à la crème, les sauces au jus et les poudings
Med	Faire sauter et dorer, braiser et cuire à la poêle Maintenir un petit bouillon sur de grandes quantités
Med High	Faire frire à haute température Faire griller à la poêle Maintenir un gros bouillon sur de grandes quantités
High	Pour porter rapidement l'eau à ébullition Cuisson en bain de friture dans un grand ustensile

**Remarque: Les informations ci-dessus sont fournies à titre de référence seulement. Il est possible que vous deviez varier les réglages en fonction de vos exigences personnelles.*

Récipients de cuisson

Chaque cuisinier a ses préférences pour ce qui est des récipients de cuisson les mieux adaptés au type de cuisson. Tout récipient de cuisson est adapté à une utilisation sur la cuisinière, et il est inutile de remplacer votre batterie de cuisine actuelle par des articles de cuisine commerciaux. C'est une question de choix personnel. Comme tout article de cuisson, les vôtres doivent être en bon état et non cabossés au fond pour fournir une performance et une commodité maximums.

Remarque: Lorsque vous utilisez de gros faitouts et/ou un feu fort, il est recommandé d'utiliser les brûleurs avant. Vous disposerez de plus de place sur l'avant et minimiserez le nettoyage potentiel de l'arrière de l'appareil (taches et décoloration).

Plaque chauffante/plaque à mijoter (sur les modèles dotés de ces options)

La plaque chauffante de 15 000 BTU en option est faite d'acier usiné avec une finition blanchard et elle a été spécialement conçue pour offrir une excellente performance de cuisson ainsi qu'un nettoyage simple. La plaque chauffante est équipée d'un thermostat électronique qui maintient une chaleur uniforme à travers, une fois la température souhaitée définie. La plaque chauffante a un voyant d'alimentation qui s'allume dès l'activation du thermostat. Il s'allume et s'éteint successivement pour indiquer que le thermostat maintient la température sélectionnée. Avant d'utiliser la plaque chauffante, il est important de la conditionner. Cette procédure changera l'aspect de la plaque, mais elle empêchera les aliments de coller et protégera la surface contre l'humidité.

Conditionnement de la plaque chauffante avant la première utilisation

- Frottez la plaque chauffante avec un mélange d'un litre d'eau chaude et de 1/4 de tasse de vinaigre blanc, à l'aide d'un tampon récurant Scotch-Brite™ bleu. Essuyez complètement.
- Lavez la plaque chauffante à l'eau savonneuse chaude. Rincez bien et essuyez complètement.
- Conditionnez la plaque chauffante en revêtant sa surface d'une fine pellicule d'huile végétale non salée (1/2 à 1 c. à thé environ). Appliquez sur l'ensemble de la plaque avec un essuie-tout ou un torchon propre. Laissez reposer l'huile sur la plaque chauffante pendant 1 heure environ, puis essuyez toute l'huile résiduelle avec un torchon propre ou un essuie-tout. La plaque chauffante est désormais prête à l'emploi.

Fonctionnement de la plaque chauffante/plaque à mijoter

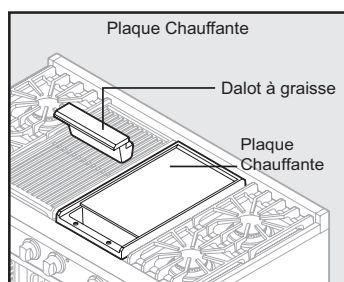
Tableau de cuisson sur la plaque chauffante

Aliments	Temp. (°F)	Temp. (°C)
OEufs	200	93
Bacon	300-325	149-163
Crêpes	375-400	191-205
Pain doré	400	205
Filets de poisson	250	121
Hamburger	350	177
Biftecks	350	177

- Tournez le bouton de commande de la plaque chauffante dans le sens antihoraire au réglage de température souhaité. Le voyant d'alimentation s'allume, indiquant le démarrage du thermostat de la plaque chauffante.
- La double plaque chauffante a deux boutons de commande de thermostat destinés à des brûleurs séparés situés sous la plaque chauffante.
- Une fois que la plaque a atteint la température souhaitée, le voyant d'alimentation s'éteint, indiquant que la plaque est correctement préchauffée.
- Utilisez de l'huile de cuisson liquide ou du beurre pour les oeufs, les crêpes, le pain doré, le poisson et les sandwichs afin d'éviter qu'ils collent.
- Grattez régulièrement la plaque avec une spatule métallique pour décoller les particules d'aliments en cours de cuisson afin de faciliter le nettoyage et d'éviter que ces particules se mélangent avec les aliments.
- Pour éteindre la plaque chauffante, tournez le bouton du thermostat dans le sens horaire à la position OFF.
- Éteignez TOUJOURS la plaque chauffante lorsqu'elle n'est pas utilisée ou baissez le feu entre deux cuissons.

Nettoyage et entretien de la plaque chauffante/plaque à mijoter

- Il est inutile de nettoyer la plaque chauffante après chaque utilisation. Lorsqu'une cuisson légère a lieu et que la plaque chauffante a refroidi, essuyez simplement la surface avec un torchon propre ou un essuie-tout. Les huiles dans les aliments qui ont cuit sur la plaque chauffante conditionneront naturellement la plaque chauffante, fournissant une surface anti-adhésive « naturelle ».
- Après une cuisson lourde et avec la plaque chauffante encore assez chaude pour former de la vapeur, versez une petite quantité d'eau gazéifiée à température ambiante directement sur la plaque chauffante. À l'aide d'une spatule métallique, tirez les huiles et les particules d'aliments vers le dalot à graisse sur l'avant. Essuyez toute la surface avec un essuie-tout. Suivez la procédure de conditionnement par application d'huile.
- Le bon conditionnement de la plaque empêchera la plaque chauffante de développer de la rouille en surface. Si la plaque chauffante ne doit pas être utilisée pendant un certain temps, elle devra être reconditionnée. Reconditionnez la plaque chauffante après chaque lavage.
- L'emploi d'un vaporisateur de cuisson pour empêcher les aliments de coller n'est pas recommandé, car ce type de produit contient une forte teneur en eau qui a tendance à brûler rapidement.
- L'huile de maïs est déconseillée en raison de sa forte teneur en sucre. Elle caramélisera et brûlera sur la surface, ce qui rendra son retrait difficile.
- Après avoir utilisé la plaque chauffante, retirez toujours le dalot à graisse situé sur l'avant. Tirez simplement le dalot à graisse vers vous et soulevez. Le dalot à graisse et la lèchefrite doivent être nettoyés après chaque utilisation. Risque d'incendie si de la graisse s'accumule dans le dalot à graisse.
- **Remarque** - Il est normal que la plaque chauffante fonce à l'usage. C'est le signe d'une plaque chauffante bien conditionnée.



Fonctionnement Char-Gril

Char-Gril (sur les modèles applicables)

Le gril 18 000 BTU en option est équipé d'une grille une pièce en fonte porcelainisée ultra-robuste pour le mouvement facile des pièces à griller. Sous la grille se trouvent les deux plaques du générateur d'arôme porcelainisées à fentes, qui sont conçues pour récupérer les coulures et refaire circuler l'arôme de fumée vers les aliments. Sous les plaques du générateur d'arôme se trouve une lèchefrite qui récupère les coulures qui peuvent se glisser derrière les plaques. Ce système de gril unique a été conçu pour donner des grillades pouvant rivaliser avec des grillades sur barbecue d'extérieur.

Mode d'emploi du gril

- Allumez la hotte aspirante avant de mettre le gril en marche.
- Tournez le bouton du gril dans le sens anti-horaire sur HI.
- Faites toujours préchauffer le gril pendant 5 à 10 minutes avant de placer les aliments sur la grille.
- Placez les aliments sur le gril et faites cuire comme souhaité.
- Pour éteindre le gril, tournez le bouton du gril dans le sens horaire à la position OFF.

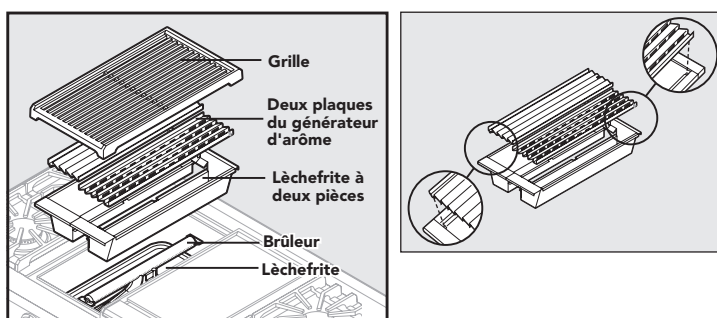
Astuces de cuisson au gril

- Lorsque vous faites griller du poulet, des rôtis, des biftecks bien cuits ou des côtelettes, et des pièces de viande épaisses, saisissez-les sur HI. Ensuite, baissez le feu pour éviter les grandes flammes excessives. Ainsi, les aliments seront bien cuits sans brûler sur l'extérieur.
- Après avoir saisi les biftecks, côtelettes ou hamburgers pendant 1 minute environ, glissez une spatule sous la viande et tournez-la de 90° environ pour former un motif en croisillons sur la viande.
- Utilisez une spatule ou une pince métallique au lieu d'une fourchette pour tourner la viande. Une spatule ne percera pas la viande et ne lui fera pas perdre ses sucs.
- Tournez la viande une fois seulement. Vous perdrez tous les sucs si vous retournez les biftecks, côtelettes ou hamburgers plusieurs fois. Le meilleur moment pour tourner la viande est après l'affleurement des sucs en surface sous forme de bulles.
- Pour vérifier la cuisson, faites une petite entaille au centre de la viande, pas au bord. Cela empêchera la perte des sucs.
- Occasionnellement, il pourra y avoir de longues flammèches au-dessus du gril causées par des gouttes de graisse qui tombent sur les plaques du générateur d'arôme. Il est normal d'avoir quelques épisodes de ce type en cours de cuisson sur gril. Utilisez une spatule à manche long pour déplacer les aliments à un autre endroit jusqu'à ce que les flammes se dissipent.
- Pour faciliter le nettoyage, laissez le gril allumé pendant 10 minutes une fois la cuisson terminée. Cela facilitera le nettoyage après le refroidissement du gril.

Démontage du gril pour nettoyage

Procédez comme suit pour démonter le gril afin de le nettoyer. Assurez-vous qu'il est complètement froid avant d'essayer de le démonter.

- Retirez le gril.
- Retirez la plaque du générateur d'arôme.
- Retirez la lèchefrite. Il est à noter que la lèchefrite est composée de deux pièces.
- La lèchefrite se situe sous le brûleur. Dans des circonstances normales de cuisson, très peu de graisse s'accumulera dans la lèchefrite. Si de la graisse s'est accumulée dans la lèchefrite, essuyez-la simplement avec un torchon humide ou du papier absorbant.



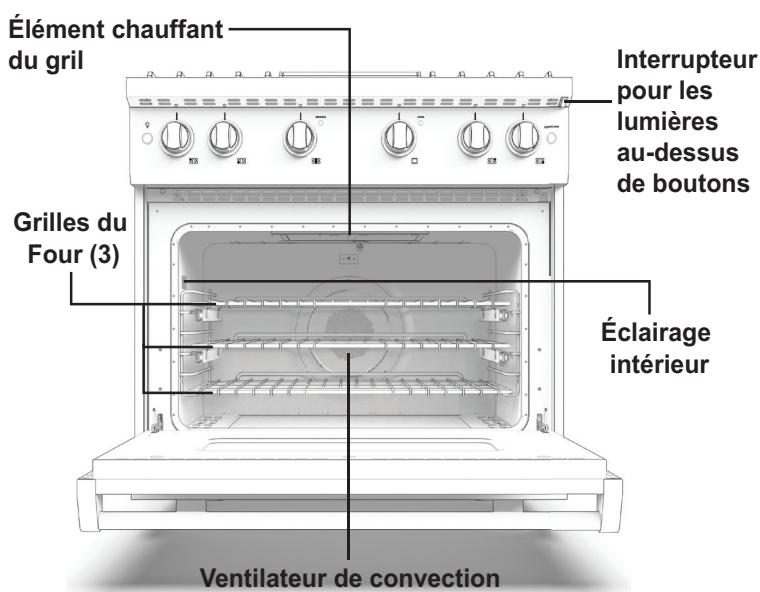
Nettoyage et entretien du gril

- Grilles du gril:
 - Se nettoient facilement juste après la cuisson et avant l’extinction de la flamme. Avant de nettoyer le gril, baissez le feu à Med ou Low. Utilisez une brosse à soies souples pour frotter la grille. Trempez souvent la brosse dans un bol d’eau. De la vapeur est créée lorsque l’eau entre en contact avec la grille chaude. Elle facilite le processus de nettoyage en ramollissant les particules d’aliment.
 - Pour un nettoyage minutieux de la grille, utilisez un nettoyant de grille en suivant le mode d’emploi du fabricant, puis faites tremper 15 à 20 minutes dans une solution d’eau chaude et de détergent doux. Après avoir fait tremper, frottez avec un tampon Scotch-Brite™ bleu. N’utilisez pas de nettoyant abrasif ou un tampon de laine d’acier; cela pourrait endommager la finition en porcelaine. Essuyez complètement.
- Plaques du générateur d’arôme et lèche-frite:
 - Grattez toutes les particules carbonisées. Les plaques du générateur d’arôme et la lèche-frite vont au lave-vaisselle. Si vous choisissez de ne pas laver ces composants au lave-vaisselle, laissez simplement tremper pendant 15-20 minutes dans une solution d’eau chaude et de détergent. Après avoir fait tremper, frottez avec un tampon Scotch-Brite™ bleu.

Nettoyage et entretien de la plaque chauffante/plaque à mijoter

- **Important:** *N’inondez jamais d’eau froide la plaque chauffante brûlante. Ce choc thermique la déformera et risque de la fendre s’il persiste.*
- Pour un nettoyage intensif, Viking Range, LLC propose un ensemble de nettoyage de plaque chauffante (modèle GCK). Ce système de nettoyage rapide et efficace de qualité commerciale nettoiera votre plaque chauffante en quelques minutes. Pour en commander, contactez votre revendeur ou allez sur le site web à brigade.ca.

Caractéristiques et fonctions du four



Positions de grille

Le 30", 36", 48" de droite et les deux 60" w. fours sont équipées de trois rack de l'inclinaison à l'épreuve. Le 18" four est équipé de deux grilles anti-basculement. Tous les fours ont six positions de grille. La position 6 est la plus éloignée du fond du four. La position 1 est la plus proche du fond du four. Les grilles peuvent être facilement retirées et placées à d'autres niveaux. Pour les meilleurs résultats par cuisson au four conventionnelle, **N'UTILISEZ PAS** plus d'une grille à la fois. Il est par ailleurs recommandé, lorsque vous utilisez deux grilles, de faire cuire avec les grilles aux positions 2 et 4 ou aux positions 3 et 5.

Mode d'emploi du four

Cuisson conventionnelle/par convection

Étant donné les différences de densité, de texture superficielle et de consistance entre les aliments, il est possible que certains aliments soient mieux préparés à l'aide du réglage de cuisson au four conventionnelle. C'est pourquoi la cuisson au four conventionnelle est recommandée lors de la préparation d'aliments cuits au four comme les crèmes renversées. L'utilisateur pourra remarquer que d'autres aliments sont également préparés plus uniformément par cuisson conventionnelle. Il est recommandé d'utiliser cette fonction pour une cuisson sur une seule grille.

Conseils de cuisson par convection

La cuisson par convection est une technique de cuisson qui utilise un ventilateur qui entraîne la circulation d'air forcé à travers le four, créant l'environnement de cuisson optimal. La cuisson par convection est prévue pour une cuisson sur plusieurs grilles ou pour la cuisson d'aliments plus épais. Vous trouverez ci-dessous certains conseils qui vous permettront de tirer les meilleurs résultats de votre four en mode de cuisson par convection.

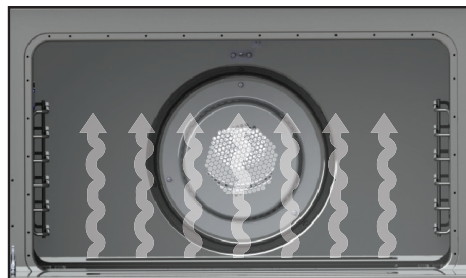
- En règle générale, pour convertir les recettes d'une cuisson conventionnelle à une cuisson par convection, baissez la température de 25 °F (10 °C) lorsque vous utilisez une fonction de cuisson par convection.
- Les temps de cuisson standard et par convection seront identiques. Toutefois, si vous utilisez la convection pour faire cuire un seul article ou un volume plus petit, il est possible que le temps de cuisson soit réduit de 10-15 %. (Rappelez-vous que la cuisson par convection a été conçue pour une cuisson sur plusieurs grilles ou la cuisson de gros volumes.)
- Si vous faites cuire des articles exigeant plus de 45 minutes de cuisson, vous pourrez constater une réduction de 10 à 15 % du temps de cuisson.
- Un avantage majeur de la cuisson par convection est la possibilité de préparer des aliments en quantité. C'est la circulation d'air uniforme qui rend cela possible. Les aliments pouvant être préparés sur deux ou trois grilles en même temps incluent : pizza, gâteaux, biscuits, biscuits à levure chimique, muffins, petits pains et plats préparés surgelés.
- Pour une cuisson sur trois grilles, utilisez toute combinaison des positions de grille 2, 3, 4 et 5. Pour une cuisson sur deux grilles, utilisez les positions de grille 2 et 4 ou les positions 3 et 5. Rappelez-vous que les grilles sont numérotées de bas en haut.

BAKE (cuisson au four par circulation d'air naturelle)

La forte chaleur rayonne à partir des brûleurs de cuisson au four en U en bas du four et circule naturellement. Cette fonction est recommandée pour la cuisson au four sur une grille. De nombreux livres de cuisine contiennent des recettes à cuisson conventionnelle. La cuisson conventionnelle au four est particulièrement adaptée aux plats exigeant une haute température. Utilisez ce réglage pour faire cuire des gâteaux et des plats en cocotte.

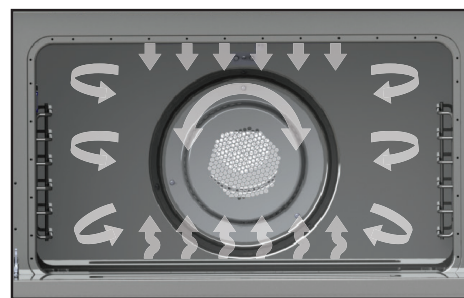
Pour utiliser la fonction BAKE

1. Placez la grille du four à la position souhaitée avant de mettre le four en marche.
2. Fermez la porte du four.
3. Tournez le sélecteur de température à la température souhaitée.



CONVECTION BAKE

La chaleur rayonne à partir des brûleurs de cuisson au four en U en bas du compartiment du four. L'air chauffé circule sous l'effet du ventilateur motorisé à l'arrière du four, fournissant une diffusion de chaleur plus uniforme. L'utilisation de plusieurs grilles est possible pour les plus gros volumes à cuire. Lors de la cuisson de rôtis, l'air frais est rapidement remplacé – ce qui permet de saisir les viandes sur l'extérieur et de piéger plus de sucs et d'arômes naturels à l'intérieur, avec un rétrécissement moindre. Cette circulation uniforme de l'air homogénéise la température à travers le compartiment du four et élimine les points chauds et froids caractéristiques des fours conventionnels.



Pour utiliser la fonction CONVECTION BAKE

1. Placez la grille du four à la position souhaitée avant de mettre le four en marche.
2. Fermez la porte.
3. Réglez le sélecteur de température à la température souhaitée et activez l'interrupteur du ventilateur de convection.

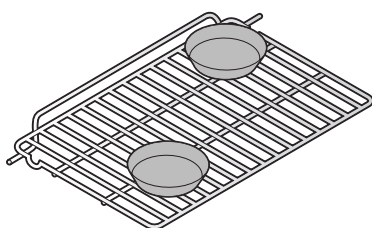
Conseils de cuisson

- Veillez à placer les grilles à la position souhaitée avant de mettre le four en marche.
- **N'OUVREZ PAS** souvent la porte du four en cours de cuisson. Regardez à travers la vitre du four pour vérifier la cuisson chaque fois que possible. Si vous devez ouvrir la porte, il est préférable de le faire pendant le dernier quart du temps de cuisson.
- Faites cuire pendant la plus courte durée suggérée et vérifiez la cuisson avant d'augmenter le temps de cuisson. Pour les gâteaux, une lame de couteau en inox insérée au centre du produit qui en ressort propre indique une cuisson suffisante.
- Utilisez le type et la taille de moule recommandés par la recette pour garantir les meilleurs résultats. Les gâteaux, les pains à levure chimique, les muffins et les biscuits doivent être cuits sur des tôles et dans des moules réfléchissants et brillants pour donner une légère couleur dorée. Évitez d'utiliser des tôles et des moules vieux et foncés. Les tôles et moules déformés, cabossés, en inox et étamés chauffent de manière irrégulière et ne donneront pas une cuisson uniforme.

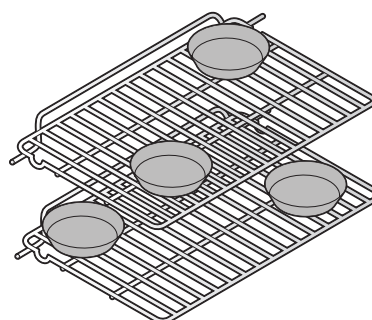
Conseils de positionnement des moules

- Lorsque vous utilisez de grands moules (38 cm x 33 cm) couvrant l'essentiel de la grille, la position 2 ou 3 produira les meilleurs résultats.
- Lors d'une cuisson sur plus d'une grille, il est recommandé d'utiliser les 3e et 5e positions pour obtenir une cuisson plus uniforme.
- Décalez les moules dans la direction opposée lorsque vous utilisez deux grilles et plusieurs moules avec un mode de cuisson conventionnelle. Si possible, ne placez pas les moules les uns au-dessus des autres.
- Laissez un espace de 2,5 à 5 cm sur tous les côtés de chaque moule afin de permettre une circulation d'air uniforme.

Positionnement des moules sur une grille



Positionnement des moules sur plusieurs grilles



Résolution de problèmes de cuisson au four

Les problèmes de cuisson peuvent être causés par plusieurs facteurs. Consultez le tableau des problèmes les plus courants pour y lire les causes et les solutions recommandées. Il est important de se rappeler que les réglages de température et les temps de cuisson auxquels vous êtes habitué avec votre ancien four pourront légèrement varier avec ce four. Si vous constatez ce fait, vous devrez ajuster vos recettes et temps de cuisson en conséquence.

PROBLÈMES DE CUISSON COURANTS/SOLUTIONS		
Problèmes	Cause	Solution
Gâteaux brûlés sur les côtés ou non cuits au centre	<ol style="list-style-type: none"> Four trop chaud Taille du moule incorrecte Trop de moules 	<ol style="list-style-type: none"> Baissez la température Utilisez la taille de moule recommandée. Réduisez le nombre de moules.
Gâteaux craquelés sur le dessus	<ol style="list-style-type: none"> Pâte trop épaisse Four trop chaud Taille du moule incorrecte 	<ol style="list-style-type: none"> Suivez la recette. Ajoutez du liquide. Baissez la température. Utilisez la taille de moule recommandée.
Gâteaux non horizontaux sur le dessus	<ol style="list-style-type: none"> Pâte mal étalée Four ou grille non horizontaux Moule déformé 	<ol style="list-style-type: none"> Répartissez uniformément la pâte. Mettez le four ou la grille à niveau. Utilisez un moule adapté.
Aliments trop cuits au fond	<ol style="list-style-type: none"> Porte du four ouverte trop souvent Moules foncés utilisés Position de grille incorrecte Mauvais réglage de cuisson Moule trop grand 	<ol style="list-style-type: none"> Vérifiez les aliments à travers la vitre du four. Utilisez des moules luisants. Utilisez la position de grille recommandée. Ajustez le réglage de cuisson conventionnelle ou par convection au besoin Utilisez un moule adapté.
Aliments trop cuits sur le dessus	<ol style="list-style-type: none"> Position de grille trop haute Four non préchauffé Parois du moule trop hautes 	<ol style="list-style-type: none"> Utilisez la position de grille recommandée Laissez préchauffer le four. Utilisez des moules adaptés.
Biscuits trop plats	<ol style="list-style-type: none"> Tôle à biscuits brûlante 	<ol style="list-style-type: none"> Attendez le refroidissement de la plaque entre les lots.
Tartes brûlées aux bords	<ol style="list-style-type: none"> Four trop chaud Trop de moules utilisés Four non préchauffé 	<ol style="list-style-type: none"> Baissez la température. Réduisez le nombre de moules. Préchauffez le four.
Tartes pâles sur le dessus	<ol style="list-style-type: none"> Four pas assez chaud Trop de moules utilisés Four non préchauffé 	<ol style="list-style-type: none"> Montez la température. Réduisez le nombre de moules. Préchauffez le four.

GUIDE DE CUISSON CONVENTIONNELLE				
Aliment	Plat/moule	Position de grille	Température	Temps (min)
PAINS				
Biscuits levés	Tôle à biscuits	3 ou 4	400°F (204°C)	10 - 12
Pain levé	Moule à pain	3 ou 4	375°F (191°C)	30 - 35
Petits pains levés	Tôle à biscuits	3 ou 4	400°F (204°C)	12 - 15
Pain aux noix	Moule à pain	3 ou 4	375°F (191°C)	30 - 35
Pain au maïs	20,3 cm x 20,3 cm	3 ou 4	400°F (204°C)	25 - 30
Pain au gingembre	20,3 cm x 20,3 cm	3 ou 4	350°F (177°C)	35 - 40
Muffins	Moule à muffins	3 ou 4	375°F (191°C)	15 - 20
Muffins au maïs	Moule à muffins	3 ou 4	375°F (191°C)	15 - 20
GÂTEAUX				
Gâteau des anges	Moule à savarin	3 ou 4	375°F (191°C)	35 - 45
Bundt	Moule à savarin	3 ou 4	350°F (177°C)	45 - 55
Petits gâteaux	Moule à muffins	3 ou 4	350°F (177°C)	16 - 20
Génoise, tôle	33 cm x 22,8 cm	3 ou 4	350°F (177°C)	40 - 50
Génoise, deux étages	Moule rond 22,8 cm	3 ou 4	350°F (177°C)	30 - 35
Quatre-quarts	Moule à cake	3 ou 4	350°F (177°C)	60 - 65
BISCUITS				
Carrés au chocolat	33 cm x 22,8 cm	3 ou 4	350°F (177°C)	25 - 30
Pépites de chocolat	Tôle à biscuits	3 ou 4	375°F (191°C)	12 - 15
Sucre	Tôle à biscuits	3 ou 4	375°F (191°C)	10 - 12
PÂTISSERIE				
Choux à la crème	Tôle à biscuits	3 or 4	400°F (204°C)	30 - 35
TARTES				
Pâte brisée, non fourrée	Moule rond 22,8 cm	3 ou 4	400°F (204°C)	10 - 12
Pâte brisée, fourrée	Moule rond 22,8 cm	3 ou 4	350°F (177°C)	55 - 60
Tarte au citron meringuée	Moule rond 22,8 cm	3 ou 4	350°F (177°C)	12 - 15
Citrouille	Moule rond 22,8 cm	3 ou 4	350°F (177°C)	35 - 40
Tarte à la crème	6 petits moules de 118 ml	3 ou 4	350°F (177°C)	35 - 40
PLATS PRINCIPAUX				
Pâtés impériaux	Tôle à biscuits	3 ou 4	400°F (204°C)	25 - 30
Bâtonnets de poisson panés	Tôle à biscuits	3 ou 4	425°F (218°C)	10 - 15
Lasagnes, congelées	Tôle à biscuits	3 ou 4	375°F (191°C)	55 - 60
Tourtière	Tôle à biscuits	3 ou 4	400°F (204°C)	35 - 40
Poivrons verts farcis	33 cm x 22,8 cm	3 ou 4	375°F (191°C)	60 - 70
Quiche	Moule rond 22,8 cm	3 ou 4	400°F (204°C)	25 - 30
Pizza, 30,5 cm	Tôle à biscuits	3 ou 4	400°F (204°C)	15 - 20
Mac. & Cheese, congelé	Tôle à biscuits	3 ou 4	375°F (191°C)	35 - 40
LÉGUMES				
Pommes de terre au four	Sur la grille	3 ou 4	375°F (191°C)	60 - 65
Soufflé aux épinards	Moule à soufflé d'un litre	3 ou 4	350°F (177°C)	45 - 50
Courge	Tôle à biscuits	3 ou 4	375°F (191°C)	50 - 55
Frites	Tôle à biscuits	3 ou 4	425°F (218°C)	20 - 25

***Remarque:** Les informations ci-dessus sont fournies à titre de référence seulement.

GUIDE DE CUISSON PAR CONVECTION				
Aliment	Plat/moule	Position de grille	Température	Temps (min)
PAINS				
Biscuits levés congelés	Tôle à biscuits	3 ou 4	375°F (191°C)	7 - 9
Pain levé	Moule à pain	3 ou 4	375°F (191°C)	25 - 30
Petits pains levés	Tôle à biscuits	3 ou 4	375°F (191°C)	11 - 13
Pain aux noix	Moule à pain	3 ou 4	350°F (177°C)	25 - 30
Pain au maïs	20,3 cm x 20,3 cm	3 ou 4	375°F (191°C)	20 - 25
Pain au gingembre	20,3 cm x 20,3 cm	3 ou 4	325°F (163°C)	30 - 35
Muffins	Moule à muffins	3 ou 4	350°F (177°C)	12 - 15
Muffins au maïs	Moule à muffins	3 ou 4	350°F (177°C)	10 - 12
GÂTEAUX				
Gâteau des anges	Moule à savarin	3 ou 4	350°F (177°C)	35 - 40
Bundt	Moule à savarin	3 ou 4	325°F (163°C)	35 - 40
Petits gâteaux	Moule à muffins	3 ou 4	325°F (163°C)	15 - 17
Génoise, tôle	33 cm x 22,8 cm	3 ou 4	325°F (163°C)	30 - 35
Génoise, deux étages	Moule rond 22,8 cm	3 ou 4	325°F (163°C)	25 - 30
Quatre-quarts	Moule à cake	3 ou 4	325°F (163°C)	45 - 50
BISCUITS				
Carrés au chocolat	33 cm x 22,8 cm	3 ou 4	350°F (177°C)	20 - 25
Pépites de chocolat	Tôle à biscuits	3 ou 4	350°F (177°C)	7 - 10
Sucre	Tôle à biscuits	3 ou 4	350°F (177°C)	7 - 10
TARTES				
Pâte brisée, non fourrée	Moule rond 22,8 cm	3 ou 4	375°F (191°C)	7 - 9
Pâte brisée, fourrée	Moule rond 22,8 cm	3 ou 4	325°F (163°C)	50 - 55
Tarte au citron meringuée	Moule rond 22,8 cm	3 ou 4	325°F (163°C)	10 - 12
Citrouille	Moule rond 22,8 cm	3 ou 4	325°F (163°C)	45 - 55
Tarte à la crème	Déconseillée			
PLATS PRINCIPAUX				
Pâtés impériaux	Tôle à biscuits	3 ou 4	375°F (191°C)	15 - 20
Bâtonnets de poisson panés	Tôle à biscuits	3 ou 4	400°F (204°C)	8 - 10
Lasagnes, congelées	Tôle à biscuits	3 ou 4	350°F (177°C)	45 - 50
Tourtière	Tôle à biscuits	3 ou 4	375°F (191°C)	35 - 40
Poivrons verts farcis	33 cm x 22,8 cm	3 ou 4	375°F (191°C)	60 - 70
Quiche	Déconseillée			
Pizza, 30,5 cm	Tôle à biscuits	3 ou 4	375°F (191°C)	15 - 20
Mac. & Cheese, congelé	Tôle à biscuits	3 ou 4	350°F (177°C)	25 - 35
LÉGUMES				
Pommes de terre au four	Sur la grille	3 ou 4	350°F (177°C)	50 - 55
Soufflé aux épinards	Moule à soufflé d'une pinte	3 ou 4	325°F (163°C)	35 - 40
Courge	Tôle à biscuits	3 ou 4	350°F (177°C)	40 - 45
Frites	Tôle à biscuits	3 ou 4	400°F (204°C)	15 - 20

***Remarque:** Les informations ci-dessus sont fournies à titre de référence seulement.

Gril

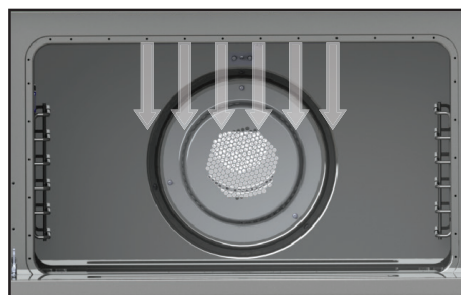
Instructions pour le gril

Le gril est une méthode de cuisson par chaleur sèche qui utilise la chaleur directe ou rayonnante. Cette méthode est utilisée pour cuire les petites pièces individuelles telles que les steaks, les côtelettes et les steaks hachés. La vitesse de cuisson est déterminée par la distance entre les aliments et le gril. Choisissez la position de la grille en fonction des résultats recherchés.

Le gril traditionnel convient mieux aux pièces de viande de 1 à 2 pouces (2,5 à 5 cm) d'épaisseur et également pour les morceaux de viande plats. Le gril à chaleur tournante présente l'avantage de griller les aliments légèrement plus rapidement que le gril traditionnel. Le gril par convection utilisé pour la viande produit de meilleurs résultats, en particulier pour les morceaux épais. La viande est grillée en surface et retient plus de jus et de saveurs naturelles à l'intérieur avec une réduction minimisée.

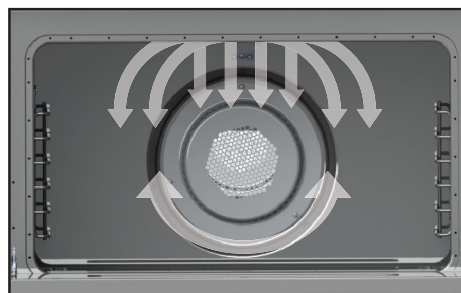
BROIL (Gril infrarouge)

Le brûleur du gril en haut du four chauffe l'écran métallique jusqu'à ce qu'il rougeoie. La chaleur émane du gril infrarouge GourmetGlo™ situé en haut du four. La distance entre les aliments et les éléments du gril détermine la vitesse de cuisson sous le gril. Pour une cuisson « rapide » sous le gril, la nourriture doit être placée à 2 pouces (5 cm) du gril ou sur l'élément de grillage. La cuisson « rapide » sous le gril convient particulièrement pour les viandes qui nécessitent une cuisson allant de saignant à à point. Utilisez ce réglage pour griller des pièces de viande de petite taille ou de taille moyenne.



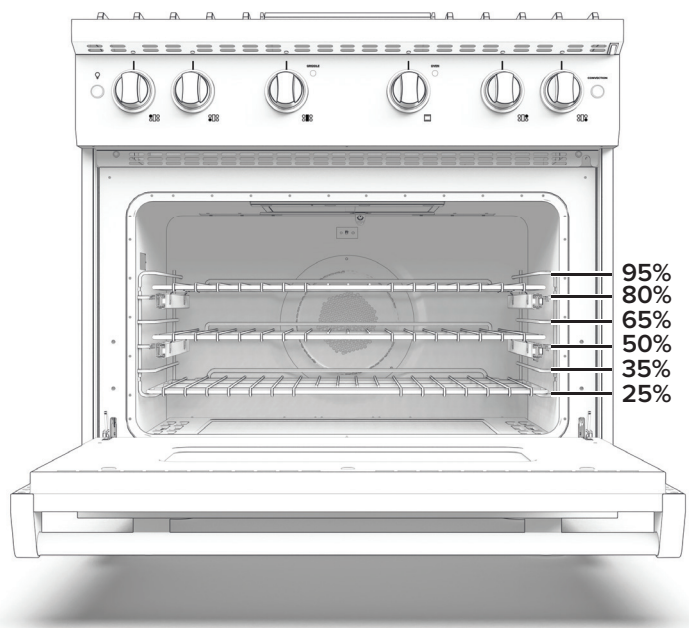
CONVECTION BROIL (Gril par convection infrarouge)

Le brûleur supérieur fonctionne à pleine puissance. Cette fonction est exactement la même que le gril ordinaire avec l'avantage supplémentaire de la circulation d'air provenant du ventilateur motorisé à l'arrière du four. La fumée est réduite car la circulation de l'air réduit également les pics de température sur les aliments. Utilisez ce réglage pour griller d'épaisses pièces de viande.



Positions de grille pour le gri

Le grilloir utilise des rayons de chaleur afin de cuire les aliments. Parce que ces rayons voyagent seulement dans les lignes droites, la zone de cuisson efficace de la salamandre est réduite lorsque vous utilisez les positions les plus élevées. À haute-grilles, les rayons ne peuvent atteindre tous les coins de la grille de la lèchefrite, sorte de gros morceaux de viande pourrait faire griller pas suffisamment à la périphérie. Les zones de cuisson efficaces sur la grille de la lèchefrite pour chaque position des grilles sont indiqués.



Remarque: La position 6 est la plus proche du gril et la position 1 est la plus proche du fond du four.

Préparez les aliments selon les recommandations.

1. Placez la grille du four à la position souhaitée avant de mettre le gril en marche.
2. Centrez l'aliment sur la lèchefrite et la grille froides. Placez la lèchefrite dans le four.
3. Réglez le sélecteur de température à BROIL. Activez l'interrupteur du ventilateur de convection si vous voulez griller par convection.
4. Fermez la porte. Utilisez uniquement la porte fermée au gri. En utilisant le gril avec la porte fermée, il est possible que l'élément chauffant du gril s'allume et s'éteigne si un temps de cuisson au gril prolongé est requis. Un éliminateur de fumée intégré en haut du four permet de réduire la fumée et les odeurs.

Conseils pour le gril

- Utilisez uniquement la porte fermée au gril.
- Utilisez TOUJOURS une lèchefrite et une grille pour faire griller des aliments. Elles sont conçues pour permettre l'évacuation de l'excès de liquide et de graisse de la surface de cuisson pour empêcher les éclaboussures, la fumée et les incendies.
- Pour empêcher la viande de se racornir, faites une fente sur les bords gras.
- Badigeonnez le poulet et le poisson de beurre plusieurs fois pendant la cuisson au gril pour les empêcher de se dessécher. Pour empêcher de coller, graissez légèrement la lèchefrite.
- Faites griller le premier côté pendant un peu plus de la moitié du temps de cuisson recommandé, assaisonnez et retournez. Assaisonnez le second côté juste avant de retirer la nourriture.
- Retirez TOUJOURS la grille en position d'arrêt avant de retourner ou de retirer la nourriture.
- Utilisez une pince ou une spatule pour retourner la viande. NE JAMAIS percer la viande avec une fourchette, car cela laisserait les jus s'écouler.
- Retirez la lèchefrite du four lorsque vous retirez la nourriture. Les graisses cuiront sur la plaque si vous la laissez dans le four chaud après la cuisson sur le gril.

GUIDE DE CUISSON AU GRIL				
Type et pièce de viande	Poids	Réglage	Grille	Temps (min)
BCEUF				
Surlonge, 2,5 cm				
Saignant	340 g	Broil	3	4
À point	340 g	Broil	3	5
Bien cuit	340 g	Broil	3	6
Aloyau, 1,9 cm				
Saignant	283 g	Broil	3	4
À point	283 g	Broil	3	6
Bien cuit	283 g	Broil	3	8
Hamburger, 1,2 cm				
À point	113 g	Broil	3	6
Bien cuit	113 g	Broil	3	8
POULET				
Poitrine désossée, 1,2 cm d'épaisseur	226 g	Broil	3	15
Poitrine désossée, 1,2 cm d'épaisseur	226 g	Convection Broil	3	15
Poitrine non désossée	907 g à 1,3 kg au total	Broil	1	22
Poitrine non désossée	907 g à 1,3 kg au total	Convection Broil	1	20
Morceaux de poulet	907 g à 1,3 kg au total	Broil	3	22
Morceaux de poulet	907 g à 1,3 kg au total	Convection Broil	3	20
JAMBON				
Tranche de jambon, 2,5 cm	453 g	Broil	3	10
LAMB				
Rib chops	340 g	Convection Broil	2	8
PORC				
Côtelettes, 1,9 cm	453 g	Convection Broil	2	10
Bacon		Broil	2	3
POISSON				
Darne de saumon	453 g	Broil	2	8
Filets	453 g	Broil	2	8

Remarque: Les informations ci-dessus sont fournies à titre de référence seulement.

Déshydratation par convection

Ce four est conçu non seulement pour cuire, mais aussi pour déshydrater des fruits et des légumes. De l'air chaud est envoyé par un ventilateur motorisé à l'arrière du four pendant un certain temps et l'eau est extraite des aliments par évaporation. Le fait de retirer l'eau empêche la croissance des microorganismes et retarde l'activité des enzymes. Il est important de se souvenir que la déshydratation n'améliore pas la qualité, c'est pourquoi il est préférable de choisir uniquement des aliments frais et de qualité supérieure.

1. Préparez les aliments selon les recommandations.
2. Disposez les aliments sur des grilles de dessiccation (non fournies avec le four; contactez un magasin local spécialisé dans les ustensiles de cuisine).
3. Réglez la commande de température sur 200°F (93,3°C) et allumez l'interrupteur du ventilateur à convection.

AVERTISSEMENT

Vous devez faire attention aux aliments pendant le processus de déshydratation pour vous assurer qu'ils ne s'enflamment pas.

Décongélation par convection

De l'air est envoyé par un ventilateur motorisé à l'arrière du four. Le ventilateur accélère la décongélation naturelle des aliments sans utiliser de chaleur. Afin d'éviter d'être malade et de gaspiller de la nourriture, **NE PAS** laisser des aliments décongelés dans le four pendant plus de deux heures.

1. Placez les aliments congelés sur une plaque à pâtisserie.
2. Réglez le bouton de commande de température du four sur « ARRÊT » et allumez l'interrupteur du ventilateur à convection.

⚠ AVERTISSEMENT

Afin d'éviter d'être malade et de gaspiller de la nourriture, **NE PAS** laisser des aliments décongelés dans le four pendant plus de deux heures.

ENTRETIEN DU PRODUIT

Nettoyage et Maintenance

⚠ AVERTISSEMENT



RISQUE DE BRÛLURE OU D'ÉLECTROCUTION

S'assurer que toutes les commandes sont sur OFF et que le four est FROID avant de nettoyer le four, sinon il pourrait y avoir risque de brûlure ou

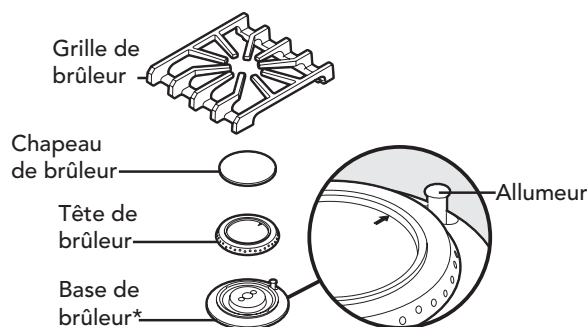
Tout équipement fonctionne mieux et dure plus longtemps lorsqu'il est correctement entretenu et maintenu propre. Les fours ne font pas exception à la règle. Votre cuisinière doit rester propre et être correctement entretenue. Avant de nettoyer, assurez-vous que toutes les commandes sont sur OFF. Débranchez l'alimentation si vous prévoyez effectuer un nettoyage minutieux à l'eau.

Brûleurs de cuisinière.

Essuyez les déversements de liquide le plus tôt possible après leur occurrence, avant qu'ils n'aient le temps de brûler et de se calciner. Procédez comme suit en cas de déversement :

- Laissez refroidir le brûleur et la grille à une température sûre.
- Soulevez la grille de brûleur. Lavez dans de l'eau savonneuse chaude.
- Retirez le chapeau et la tête de brûleur et nettoyez.

**Remarque: Lors de la remise en place de la tête de brûleur, la flèche doit pointer vers l'arrière de la cuisinière.*



Chapeaux de brûleur

Les chapeaux de brûleur doivent être régulièrement retirés et nettoyés. Nettoyez **TOUJOURS** les chapeaux de brûleur après un déversement. Le maintien de chapeaux de brûleur propres empêchera l'allumage impropre et les flammes irrégulières. Pour nettoyer, tirez droit le chapeau de la base de brûleur. Essuyez la surface des chapeaux de brûleur à l'eau savonneuse chaude et un chiffon doux après chaque utilisation. Utilisez un nettoyant non abrasif comme du Bon Ami™ et une brosse à soies douces ou un tampon Scotch Brite™ non abrasif pour les aliments calcinés. Essuyez bien après le nettoyage. Pour obtenir un nettoyage optimum et éviter la rouille, **NE NETTOYEZ PAS** au lave-vaisselle ou avec un produit nettoyant pour four.

Tête de brûleur

Si les trous de la tête de brûleur sont bouchés, nettoyez avec une épingle. Veillez à **NE PAS** agrandir ou déformer les trous. Veillez à **NE PAS** utiliser de cure-dent pour nettoyer les trous. Lorsque vous remettez la tête de brûleur en place, alignez minutieusement les 2 ergots sous la tête de brûleur sur le bord extérieur de la base du brûleur. Assurez-vous que les ergots ne sont pas alignés sur l'allumeur et que le chapeau du brûleur est horizontal.

Remarque: Pour les taches tenaces, utilisez un nettoyant non abrasif comme du Bon Ami™ et une brosse à soies douces ou un tampon Scotch Brite™ non abrasif.

Astuce de nettoyage: Pour les chapeaux et têtes de brûleur difficiles à nettoyer, placez ces composants dans un sac plastique fermé contenant de l'ammoniaque.

Base de brûleur

La base doit être régulièrement nettoyée en passant une éponge humectée d'eau savonneuse chaude à la fin de chaque période de refroidissement. **N'UTILISEZ PAS** de tampon en laine d'acier, chiffons, poudres ou nettoyants abrasifs! Pour retirer les particules incrustées, faites tout d'abord tremper la zone en appliquant un torchon mouillé chaud pour décoller les particules, puis utilisez une spatule en bois ou en nylon. **N'UTILISEZ PAS** de couteau ou spatule métallique ou tout autre ustensile métallique pour racler la base en aluminium.

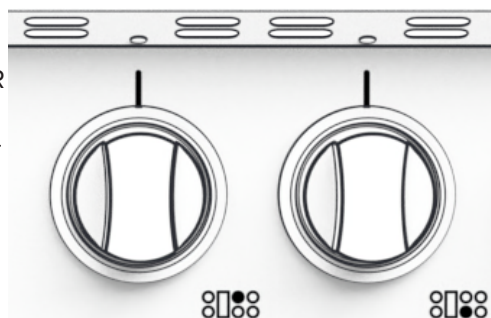
- Essuyez tous les déversements qui restent sur la surface étanche de la cuisinière.
- Remettez les chapeaux, les têtes et les grilles de brûleur, après les avoir bien essuyés.

Panneau de commande

N'UTILISEZ PAS de nettoyants contenant de l'ammoniaque ou des produits abrasifs. Ils risquent d'effacer les graphiques du panneau de commande. Utilisez de l'eau savonneuse chaude et un chiffon propre et doux.

Boutons de commande

ASSUREZ-VOUS QUE TOUS LES BOUTONS DE COMMANDE SONT SUR LA POSITION OFF AVANT DE LES RETIRER. Tirez droit dessus pour les retirer. Lavez-les dans du liquide à vaisselle et de l'eau chaude. Essuyez-les complètement et remettez-les en place en les poussant fermement sur la tige. **N'UTILISEZ PAS** de nettoyants contenant de l'ammoniaque ou des produits abrasifs. Ils risquent d'effacer les graphiques du bouton.



Surfaces du four

Plusieurs finitions différentes ont été utilisées dans votre four. **N'UTILISEZ JAMAIS D'AMMONIAQUE, DE TAMPONS EN LAINE D'ACIER OU DE CHIFFONS OU NETTOYANTS ABRASIFS, DE NETTOYANTS POUR FOUR OU D'AUTRES POUDRES ABRASIVES, CAR ILS RISQUENT D'ENDOMMAGER VOTRE FOUR EN PERMANENCE.**

Composants en inox

Tous les composants en inox doivent être régulièrement nettoyés en passant dessus un chiffon humecté d'eau savonneuse chaude à la fin de chaque période de refroidissement et avec un nettoyant liquide spécial inox lorsque l'eau savonneuse n'est pas assez efficace. **N'UTILISEZ PAS** de tampon en laine d'acier, chiffons, poudres ou nettoyants abrasifs! Au besoin, raclez l'inox pour retirer des particules incrustées, faites tout d'abord tremper la zone en appliquant des torchons mouillés chauds pour décoller les particules, puis utilisez une spatule ou une raclette en bois ou en nylon. **N'UTILISEZ PAS** de couteau ou spatule métallique ou tout autre ustensile métallique pour racler l'inox. **NE LAISSEZ PAS** stagner de jus de tomate ou d'agrumes sur les surfaces en inox, car l'acide citrique décolorera l'inox en permanence. Essuyez immédiatement tous les déversements.

Surfaces en verre

Nettoyez avec du liquide à vaisselle et de l'eau chaude. Les nettoyants pour vitres peuvent servir à retirer les traces de doigts. Si vous utilisez un nettoyant pour vitres à l'ammoniaque, assurez-vous qu'il ne coule pas sur la surface extérieure de la porte.

Lèchefrite et grille

Nettoyez avec du liquide à vaisselle et de l'eau chaude. Pour les taches tenaces, utilisez un tampon en laine d'acier imbibé d'eau savonneuse.

Grilles du four

L'utilisation d'un nettoyant pour four sur des grilles de four chromées ou revêtues peut provoquer une décoloration permanente, des piqûres, un écaillage ou une perte du revêtement protecteur. Cela peut affecter la capacité de la grille à glisser en douceur et peut raccourcir sa durée de vie. Évitez les produits chimiques et les nettoyants agressifs. Nettoyez avec du détergent et de l'eau chaude. Les taches tenaces peuvent être frottées avec un tampon de laine d'acier imprégné de savon. Faire tremper les grilles dans des parts égales de bicarbonate de soude et de vinaigre blanc peut également être efficace. Pour bien sécher les grilles, essuyez-les avec une serviette puis placez-les dans le four à basse température pendant 15 à 20 minutes.

⚠ AVERTISSEMENT

NE JAMAIS couvrir de trou, fente ou passage au fond du four ou une grille tout entière de papier d'aluminium. Cela entraverait la circulation d'air dans le four et risquerait d'engendrer un empoisonnement au monoxyde de carbone. Le chemisage des grilles avec du papier d'aluminium risque également d'emprisonner la chaleur et de créer un risque d'incendie.

Remplacement des Lampes Intérieures

⚠ AVERTISSEMENT



RISQUE D'ÉLECTROCUTION

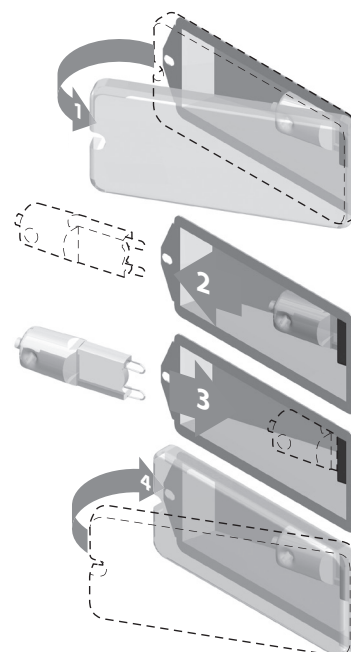
Débrancher l'alimentation électrique au niveau du fusible ou du disjoncteur général avant de remplacer l'ampoule.

⚠ AVERTISSEMENT

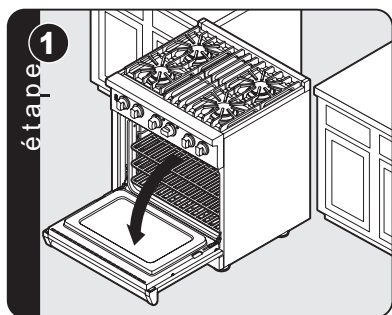
NE PAS saisir l'ampoule les mains nues. Nettoyez les traces d'huile sur l'ampoule et prenez-la avec un chiffon humide.

NE PAS saisir l'ampoule les mains nues. Nettoyez les traces d'huile sur l'ampoule et prenez-la avec un chiffon humide.

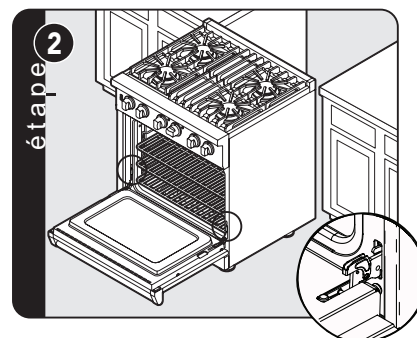
1. Détachez le couvercle de verre de l'ampoule à l'aide d'un tournevis dans la rainure d'accès.
2. Saisissez fermement l'ampoule et tirez.
3. Remplacez par une ampoule halogène en respectant les exigences de tension et de puissance indiquées sur le couvercle de verre.
4. Remettez le couvercle de verre en l'enclenchant sur le boîtier métallique.
5. Rebranchez au niveau du fusible principal ou du disjoncteur.



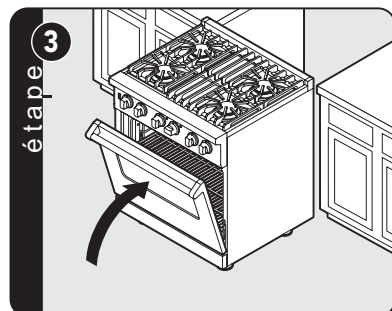
Démontage de la porte



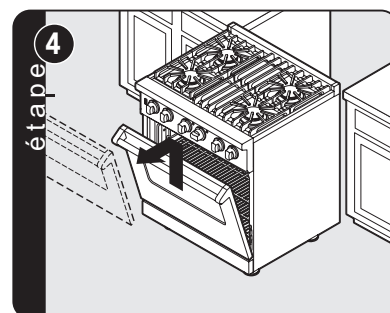
Ouvrez la porte complètement.



Pliez les loquets vers l'arrière jusqu'à ce qu'ils se verrouillent.

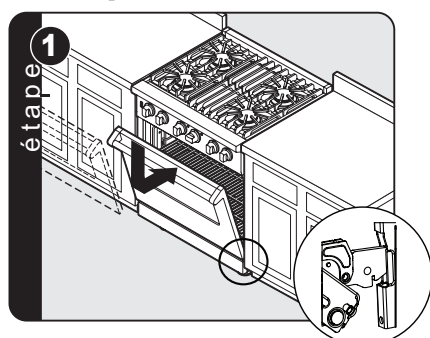


Fermez lentement jusqu'à ce que les loquets arrêtent la porte

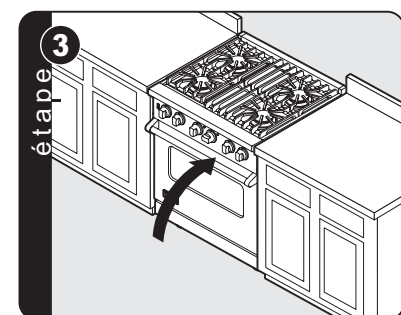


Soulevez la porte et retirez-la.

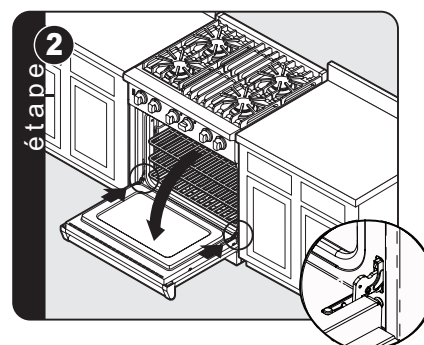
Remplacement de la Porte



Alignez de nouveau attentivement la porte sur les charnières. Faites coulisser à l'intérieur et vers le bas.



Fermez la porte.



Ouvrez la porte entièrement. Pliez les loquets vers l'avant jusqu'à ce qu'ils se verrouillent.

Dépannage

Problème	Cause possible et/ou solution
La cuisinière ne fonctionne pas.	La cuisinière n'est pas branchée sur l'alimentation électrique : Demandez à un électricien de vérifier le disjoncteur, le câblage et les fusibles.
Le gril ne fonctionne pas.	Le bouton de commande de la température est tourné trop loin par rapport à la position gril.
La porte ne s'ouvre pas.	Le four est encore en mode auto-nettoyage. Si le four est chaud, le loquet se dégage lorsque la température de sécurité est atteinte.
L'éclairage du four ne fonctionne pas.	L'ampoule est grillée. La cuisinière n'est pas branchée sur l'alimentation électrique.
Les allumeurs ne fonctionnent pas.	Le disjoncteur s'est déclenché. Le fusible est grillé. La cuisinière n'est pas branchée à l'alimentation.
Les allumeurs font des étincelles mais il n'y a pas de flamme.	La soupape d'alimentation en gaz est en position « OFF ». L'alimentation en gaz est interrompue.
Les allumeurs continuent à faire des étincelles après l'allumage de la flamme.	L'alimentation électrique n'est pas reliée à la terre. La polarité de l'alimentation électrique est inversée. Les allumeurs sont humides ou sales.
Le brûleur s'allume mais la flamme est large, déformée ou jaune.	Les orifices de brûleur sont bouchés. L'appareil fonctionne avec le mauvais type de gaz. Les volets d'air ne sont pas correctement réglés.
Vous remarquez une forte odeur et/ou de la fumée pendant les premières utilisations du four.	Ceci est normal, ce sont les huiles de protection et d'isolation qui brûlent dans le four. La fumée et l'odeur partiront après quelques utilisations du four.
Le témoin d'alimentation du four est allumé ; le four ne chauffe pas.	Le four fonctionne correctement. L'appareil se remet à chauffer une fois qu'il a refroidi.

Service Après-vente

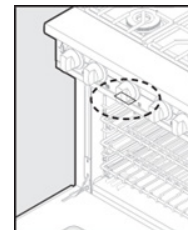
Si un SAV s'impose, appelez votre un centre de réparation agréé.

Tenez-vous prêt à fournir les informations suivantes.

- Numéro de modèle
- Numéro de série
- Date d'achat
- Nom du revendeur où vous avez fait l'achat

Décrivez clairement le problème. Si vous ne pouvez pas obtenir les coordonnées d'un centre de réparation agréé le plus proche ou si vos problèmes persistent, contactez la Viking Range, LLC au 1-888-845-4641 ou écrivez à:

Viking Range, LLC
PREFERRED SERVICE
 111 Front Street
 Greenwood, Mississippi 38930 États-Unis



Notez les informations indiquées ci-dessous. Vous en aurez besoin pour tout service après-vente nécessaire. Pour trouver le numéro de série et le numéro de modèle de votre cuisinière, ouvrez la porte et regardez sous le panneau de commande. Une étiquette en double figure au dos de l'appareil.

N° de modèle. _____

N° de série. _____

Date d'achat _____

Date d'installation _____

Nom du revendeur _____

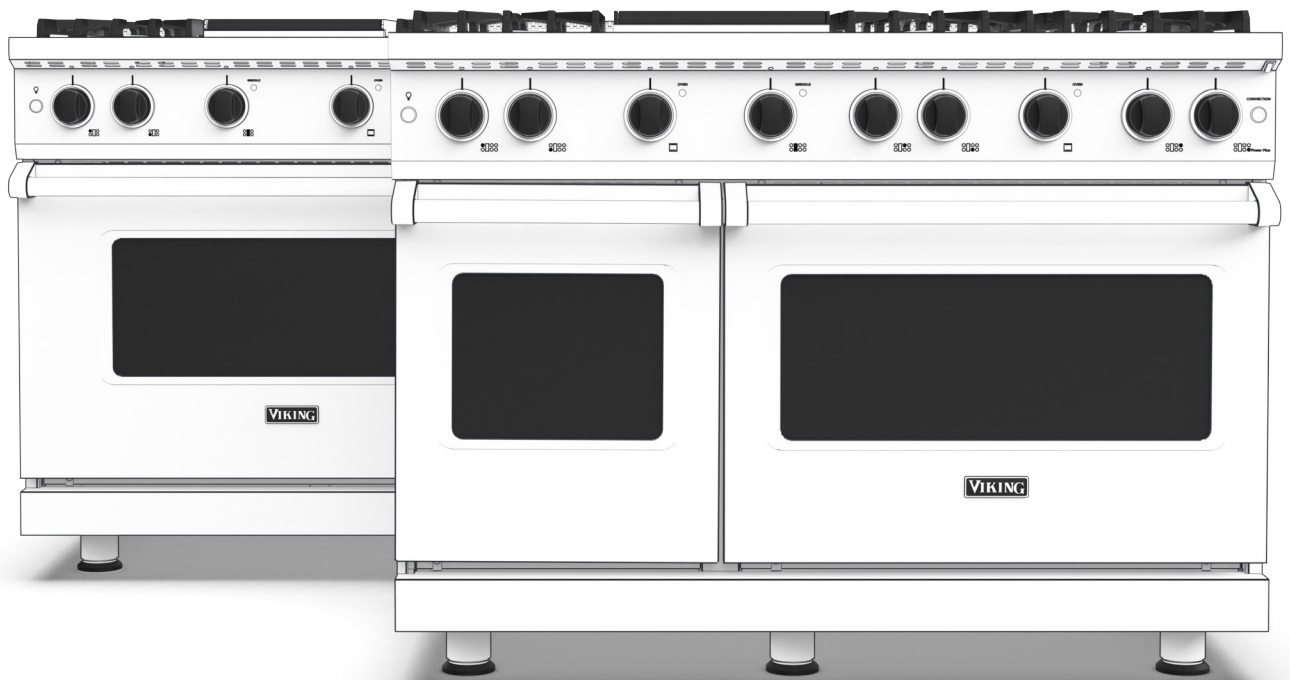
Adresse _____

Si le dépannage exige l'installation de pièces, utilisez uniquement des pièces agréées pour vous assurer d'être couvert dans le cadre de la garantie.

Conservez ce manuel à titre de référence future.

Viking Range, LLC
 111 Front Street
 Greenwood, Mississippi 38930
 662-4551200

Pour des informations sur les produits,
 appelez le 1-888-845-4641 ou allez sur le
 site web www.vikingrange.com



Guía de Uso y Cuidado

5 SERIE

Estufas Independientes Modelo Profesional

VGR53044B | VGR53646B | VGR53644G | VGR54848B

VGR54846G | VGR56046GQ



Felicitaciones

Felicitaciones y bienvenido al mundo exclusivo de los propietarios de un electrodoméstico. Esperamos que disfrute y aprecie el cuidado y la atención que hemos puesto en cada detalle de su nueva e innovadora estufa.

Su estufa está diseñada para ofrecerle muchos años de servicio confiable. Este manual de uso y cuidado contiene la información que necesita para familiarizarse con el cuidado y la operación de su estufa.

Nuestra meta principal es su completa satisfacción. Si tiene preguntas o comentarios sobre este producto, por favor comuníquese a la concesionaria donde lo compró, o comuníquese al Centro de Apoyo al Consumidor al teléfono 1-888-845-4641.

Agradecemos que haya seleccionado una estufa y esperamos que vuelva a seleccionar nuestros productos cuando necesite otro electrodoméstico para su hogar.

Si desea más información sobre la variedad completa y creciente de productos, visítenos en línea en vikingrange.com

Contenido

Para comenzar3	Cuidado del producto24
Advertencias	3	Limpieza y mantenimiento	24
Antes de usar la estufa	8	Cambio de las bombillas del horno	26
Controles del producto8	Remoción de la puerta	27
Funciones y Ajustes del horno.	8	Colocación de la puerta	27
Características de la estufa	9	Solución de problemas.	28
Operación	10	Información sobre el servicio	29
Operación de los elementos de la superficie	10		
Para encender los quemadores.	10		
Reencendido automático de los quemadores.	10		
Vari-Simmer™	10		
Consejos para cocinar	10		
Recipientes para cocinar.	11		
Plancha/placa de fuego lento (en los modelos correspondientes)	12		
Funcionamiento de los quemadores de la superficie	13		
Asado a la parrilla (en ciertos modelos)	13		
Características del horno.	15		
Posición de las parrillas	15		
Uso del horno	15		
Cocinado convencional y por convección	15		
BAKE (Hornear con flujo de aire natural).	16		
CONV BAKE (hornear con convección)	16		
Deshidratar con convección	23		
Descongelar con convección	23		

PARA COMENZAR

Advertencias

Las advertencias e instrucciones importantes sobre seguridad que aparecen en este manual no intentan cubrir todas las posibles condiciones y situaciones que pudieran presentarse. Se debe tener cuidado, precaución y ejercer el sentido común durante la instalación, servicio y operación del electrodoméstico.

SIEMPRE comuníquese con el fabricante si tiene problemas o se enfrente a condiciones que no entienda.

Familiarícese con los símbolos, texto y etiquetas de seguridad

⚠ PELIGRO
Señala riesgos o prácticas inseguras que RESULTARÁN en lesiones personales graves o la muerte
⚠ ADVERTENCIA
Señala riesgos o prácticas inseguras que PODRÍAN resultar en lesiones personales graves o la muerte
⚠ PRECAUCIÓN
Señala riesgos o prácticas inseguras que PODRÍAN resultar en lesiones personales leves. Todos los mensajes sobre seguridad identificarán el riesgo, le dirán como reducir las posibilidades de resultar lesionado y lo que puede pasar si no se siguen las instrucciones
⚠ ADVERTENCIA
 Para evitar el riesgo de daño a la propiedad, lesiones personales o la muerte, siga exactamente las instrucciones de este manual para prevenir un incendio o una explosión. NO almacene ni use gasolina u otros vapores y líquidos inflamables cerca de esta unidad o de cualquier otro electrodoméstico/appliance.
⚠ ADVERTENCIA
NO limpie el interior del horno con limpiadores comerciales de hornos. Estos limpiadores pueden producir vapores peligrosos y dañar las superficies con acabado de porcelana.

⚠ ADVERTENCIA
Si no se siguen exactamente las instrucciones de este manual, se puede ocasionar un incendio o explosión que dé como resultado daños materiales, lesiones personales o la muerte.
QUÉ HACER SI PERCIBE OLOR A GAS:
<ul style="list-style-type: none"> • NO trate de encender ningún electrodoméstico.. • NO toque ningún interruptor eléctrico. • NO use ningún teléfono de su edificio. • Llame inmediatamente a su proveedor de gas desde el teléfono de un vecino. Siga las instrucciones del proveedor de gas. • Si no puede comunicarse con su proveedor de gas, llame al departamento de bomberos. Un instalador calificado, una agencia de servicio o un proveedor de gas debe realizar la instalación y el servicio.

⚠ ADVERTENCIA
RIESGOS DE VOLCADURAS
 Para reducir el riesgo de volcaduras del electrodoméstico, éste se debe fijar instalando adecuadamente el(los) dispositivo(s) antivolcaduras. Para asegurarse de que el dispositivo antivolcaduras se ha instalado adecuadamente, revise la parte posterior de la estufa con ayuda de una linterna y verifique que esté correctamente embragado en la esquina superior izquierda posterior de la estufa.
 Para asegurarse de que el dispositivo antivolcaduras se ha instalado adecuadamente, revise la parte posterior de la estufa con ayuda de una linterna y verifique que esté correctamente embragado en la esquina superior izquierda posterior de la estufa.
<ul style="list-style-type: none"> • ESTA ESTUFA SE PUEDE VOLCAR • ESTO PUEDE DAR COMO RESULTADO LESIONES PERSONALES • INSTALE EL DISPOSITIVO ANTIVOLCADURAS QUE VIENE CON LA ESTUFA • CONSULTE LAS INSTRUCCIONES DE INSTALACIÓN

Lea y siga todas las instrucciones antes de usar este electrodoméstico para reducir los riesgos potenciales de incendio, descarga eléctrica, lesiones personales o daños a la unidad como resultado de su uso inadecuado. Use este electrodoméstico sólo para lo que fue diseñado, según se escribe en este manual.

Para asegurar una operación adecuada y segura: un técnico calificado debe instalar y conectar a tierra adecuadamente el electrodoméstico. **NO** no intente ajustar, reparar, dar servicio ni reemplazar cualquier parte de su electrodoméstico, a menos que así se recomiende específicamente en este manual. Otro tipo de servicio se debe referir a un técnico calificado. Haga que el instalador le enseñe la ubicación de la válvula para interrumpir el flujo de gas y cómo cerrarla en caso de emergencia.

Para prevenir daños por incendio o humo

- Antes de operar la unidad, asegúrese de remover todo el material de empaque.
- Mantenga el área alrededor de la unidad limpia y libre de materiales combustibles, gasolina y otros vapores y líquidos inflamables.
- Si la unidad se instala cerca de una ventana, tome las precauciones adecuadas para evitar que las cortinas se acerquen a los quemadores.
- **NUNCA** deje artículos sobre la superficie de la estufa. El aire caliente proveniente de las ventilas puede encender artículos inflamables y puede incrementar la presión interna de artículos cerrados provocando que estallen.
- Muchos envases de tipo aerosol son EXPLOSIVOS cuando se exponen al calor y pueden ser altamente inflamables. Evite usarlos o almacenarlos cerca del electrodoméstico.
- Muchos plásticos son susceptibles al calor. Mantenga los materiales plásticos alejados de las partes del electrodoméstico que puedan llegar a calentarse. **NO** deje artículos plásticos sobre la superficie de la estufa pues pueden derretirse o ablandarse si se dejan muy cerca de las ventilas o de un quemador encendido.
- Los artículos combustibles (papel, plástico, etc.) se pueden inflamar y los artículos metálicos se pueden calentar y causar quemaduras. **NO** vierta productos con alcohol sobre alimentos calientes. **NO** deje el horno sin supervisión cuando seque hierbas, pan, hongos, etc., ya que esto crea un riesgo de incendio.

Qué hacer en caso de incendio

Apague el electrodoméstico y la campana de ventilación para evitar la propagación del fuego. Apague el fuego y entonces encienda la campana de ventilación para eliminar el humo y el olor.

- **Superficie de cocinar:** apague el fuego o las llamas de una sartén con una tapa o una bandeja para galletas.
- **NUNCA** levante ni mueva una sartén en llamas.
- **Horno:** apague el fuego o las llamas cerrando la puerta del horno. **NO** use agua para sofocar incendios producidos por grasa. Use polvo para hornear o un extintor del tipo químico seco o espuma para apagar el fuego o las llamas.

Seguridad de los niños

- **NUNCA** deje un niño solo o sin supervisión cerca del electrodoméstico mientras esté en uso o aún caliente.
- **NUNCA** permita que los niños se sienten o se paren sobre ninguna parte del electrodoméstico ya que podrían resultar lesionados o quemarse.
- **NO** almacene sobre la unidad artículos que sean de interés para los niños. Si los niños tratan de alcanzar estos artículos podrían resultar gravemente lesionados.
- Debe enseñar a los niños que el electrodoméstico y los utensilios que se encuentran en el mismo pueden estar calientes. Deje enfriar los recipientes calientes en un lugar seguro, fuera del alcance de los niños. Debe enseñar a los niños que un electrodoméstico no es un juguete. No debe permitir que los niños jueguen con los controles ni con otras parte del electrodoméstico.

Medidas de seguridad al cocinar

- No se deben tener áreas de almacenamiento directamente sobre la unidad para eliminar el riesgo de sufrir quemaduras al estirarse sobre los quemadores calientes. Si el gabinete ya está instalado, sólo se deben almacenar artículos que se usan con poca frecuencia, y que sean seguros para almacenarse en áreas expuestas al calor producido por el electrodoméstico. Las temperaturas que se alcanzan en estas áreas pueden ser inseguras para algunos artículos, como líquidos volátiles, limpiadores o productos en aerosol.
- **SIEMPRE** coloque una sartén sobre el quemador antes de encenderlo. Asegúrese de saber cuál perilla controla el quemador que va a usar. Asegúrese de que encendió el quemador correcto y que tiene llama. Cuando termine de cocinar apague el quemador antes de quitar la sartén para evitar la exposición a la llama del quemador.
- **SIEMPRE** ajuste la llama del quemador de manera que no se extienda más allá del borde inferior de la sartén. Una llama muy grande es peligrosa, desperdicia energía y puede dañar el electrodoméstico, la sartén o los gabinetes que se encuentran por arriba del electrodoméstico. Por razones de seguridad.
- **NUNCA** deje desatendido lo que está cocinando, especialmente cuando use un ajuste alto de temperatura o cuando esté usando mucho aceite para freír. Los rebosamientos pueden causar humo y derrames grasosos que se pueden inflamar. Limpie los derrames grasosos tan pronto como sea posible. **NO** use temperaturas altas para cocinar por largos períodos.
- **NUNCA** caliente un envase cerrado en un quemador o en el horno. La acumulación de presión puede causar que el envase estalle dando como resultado lesiones personales graves o daños al electrodoméstico.

- Use agarracazuelas resistentes y secos. Los agarracazuelas húmedos pueden causar quemaduras por vapor. Los paños de cocina u otros sustitutos **NUNCA** se deben usar como agarracazuelas porque pueden tocar la superficie caliente de los quemadores e incendiarse o atorarse en alguna parte del electrodoméstico.
- **SIEMPRE** permita que el aceite que usa para freír se enfríe antes de moverlo o manipularlo.
- **NO** permita que la grasa u otros materiales inflamables se acumulen en o cerca del electrodoméstico, la campana o el ventilador. Limpie la campana frecuentemente para evitar la acumulación de grasa dentro de ella o en el filtro. Cuando flamee alimentos bajo la campana, apague el ventilador.
- **NUNCA** use ropa hecha con materiales inflamables, holgada o de manga larga cuando cocine. La ropa se puede incendiar o atorarse en los mangos de los recipientes.
- **SIEMPRE** coloque las parrillas en la posición deseada cuando el horno esté frío. Al meter o sacar comida del horno, primero saque las parrillas usando agarracazuelas gruesos y secos. **SIEMPRE** evite estirarse dentro del horno para meter o sacar comida. Si necesita mover una parrilla mientras está caliente, use un agarracazuelas.
- **SIEMPRE** apague el horno cuando termine de usarlo.
- Tenga cuidado al abrir la puerta del horno. Antes de sacar o meter comida deje que el aire caliente o el vapor se escape.
- **NUNCA** use papel de aluminio para cubrir las parrillas ni la parte inferior del horno. Si lo hace puede provocar un riesgo de descarga eléctrica, incendio o daño al electrodoméstico. Use el papel aluminio sólo como se indica en este manual.
- **ADVERTENCIAS SOBRE LA COMIDA PREPARADA:** Observe las instrucciones del fabricante. Si un envase de plástico de comida congelada y/o su tapa se deforma, dobla o se daña durante el cocinado, deseche inmediatamente la comida y el envase. La comida podría haberse contaminado.
- Si va a flamear licor u otros productos con alcohol bajo un sistema de ventilación, **APAGUE EL VENTILADOR.** La corriente de aire podría causar que las llamas se propagaran sin control.
- Una vez que haya instalado la unidad de acuerdo con las instrucciones de instalación, es importante que no se obstruya el suministro de aire fresco.
- El uso de un electrodoméstico para cocinar a gas da como resultado la producción de calor y humedad en la habitación en la que se instala. Asegúrese de que la cocina tenga buena ventilación. Mantenga abiertos los orificios de ventilación naturales o instale un dispositivo mecánico de ventilación. El uso prolongado o intenso del electrodoméstico puede requerir ventilación adicional (como una ventana) o de ventilación más efectiva (como el aumento del nivel de ventilación mecánica, si la hay.)

Seguridad de los utensilios

- Use sartenes con fondo plano y mangos que sean fáciles de agarrar y permanezcan fríos. Evite usar sartenes inestables, torcidas, que se vuelquen fácilmente o que tengan los mangos flojos. También evite usar sartenes, especialmente las pequeñas, con mangos pesados ya que de otra manera pueden ser inestables y volcarse fácilmente. También puede ser peligroso mover sartenes pesadas cuando están llenas de comida.
- Asegúrese de que los recipientes sean lo suficientemente grandes para contener la comida y evitar rebosamientos. El tamaño de la sartén es particularmente importante cuando se usa para freír. Asegúrese de que la sartén pueda contener el volumen de comida que se va a colocar en ella así como también la acción de burbujeo del aceite.
- Para minimizar el riesgo de quemaduras, ignición de materiales inflamables y derrames causados por el contacto accidental con los recipientes, **NO** coloque los mangos sobre los quemadores adyacentes. **SIEMPRE** coloque los mangos de las sartenes hacia el lado o hacia atrás del electrodoméstico, no hacia afuera donde fácilmente pueden ser golpeados o alcanzados por los niños.
- **NUNCA** deje calentar una sartén vacía pues puede dañarla y dañar el electrodoméstico.
- Siga las instrucciones del fabricante cuando use bolsas para hornear.
- Solamente se pueden usar ciertos tipos de utensilios de vidrio, vidrio/cerámica, cerámica o glaseados en la superficie de la estufa o en el horno que no se rompan debido a los cambios repentinos de temperatura. Observe las instrucciones del fabricante cuando use recipientes de vidrio.
- Este electrodoméstico se ha probado para operar en forma segura usando recipientes convencionales para cocinar. **NO** use ningún dispositivo o accesorio que no se recomiende específicamente en este manual. **NO** use tapas en los quemadores, parrillas de la estufa o sistemas de convección adicionales para el horno. El uso de dispositivos o accesorios que no sean los expresamente recomendados en este manual, puede causar riesgos de seguridad graves, resultando en problemas de operación y reduciendo la vida útil de los componentes del electrodoméstico.
- La llama del quemador se debe ajustar para que cubra sólo el fondo de la sartén o cacerola. Un ajuste excesivo del quemador puede causar que las superficies adyacentes se quemen, así como también el exterior del recipiente. Por razones de seguridad.

Quemadores

- **NUNCA** toque los quemadores del horno, las áreas adyacentes a los quemadores ni las superficies interiores del horno.
- Los quemadores pueden estar calientes aunque estén de color oscuro. Las áreas cercanas a los quemadores y las superficies interiores del horno pueden calentarse lo suficiente para causar quemaduras.
- Durante y después del uso del horno, **NO** toque ni permita que la ropa u otros materiales inflamables toquen los quemadores, las áreas adyacentes a los quemadores ni las superficies interiores del horno sino hasta que se hayan enfriado.

Medidas de seguridad durante la limpieza

- Apague todos los controles y espere a que todas las partes del electrodoméstico se enfríen antes de tocarlas o limpiarlas. **NO** toque las parrillas de los quemadores ni las áreas alrededor de ellas hasta que pase tiempo suficiente para que se enfríen.
- Limpie el electrodoméstico con precaución. Tenga cuidado si usa una esponja o un paño húmedo para limpiar derrames en una superficie caliente, para evitar quemaduras por vapor. Algunos limpiadores pueden producir humos nocivos cuando se aplican sobre superficies calientes.

Advertencia y aviso importante de seguridad

La Ley de Ejecución de las Leyes sobre Sustancias Tóxicas y Agua Potable Segura de California (California Safe Drinking Water and Toxic Enforcement Act) de 1986 (Proposición 65) requiere que el gobernador de California publique una lista de las sustancias que el estado de California ha determinado que causan cáncer o daños en el sistema reproductivo, y requiere que las empresas adviertan a los clientes si existe la probabilidad de que queden expuestos a dichas sustancias. Por tanto, los usuarios de este electrodoméstico quedan advertidos que cuando el horno está en el ciclo de limpieza automática, puede existir cierto grado de exposición a algunas de las sustancias listadas, entre ellas monóxido de carbono. La exposición a estas sustancias puede minimizarse ventilando adecuadamente el horno hacia el exterior durante el ciclo de limpieza, abriendo una ventana y/o puerta en donde está instalado el electrodoméstico.

Aviso importante sobre aves domésticas:

NUNCA mantenga aves en la cocina ni en habitaciones a las que llegue el humo de la cocina. Las aves tienen un sistema respiratorio muy sensible. Los humos que se generan durante el ciclo de limpieza del horno pueden ser muy peligrosos o fatales para las aves. Los humos que se producen por el sobrecalentamiento de aceite, grasa, margarina y recipientes con recubrimiento antiadherente, pueden ser igualmente peligrosos

Información sobre su electrodoméstico

- Para que el horno funcione y opere adecuadamente, **NO** bloquee ni obstruya el conducto de ventilación del horno que se encuentra en el lado derecho de la rejilla de ventilación.
- Evite tocar el área de ventilación del horno cuando el horno esté encendido y varios minutos después de apagarlo. Cuando el horno esté funcionando, el área de ventilación y las áreas circundante se calientan lo suficiente como para causar quemaduras. Después de que apague el horno, **NO** toque la abertura de ventilación ni las áreas circundantes sino hasta que se hayan enfriado.
- Otras superficies potencialmente calientes incluyen la superficie de la estufa, las áreas orientadas hacia la superficie de la estufa, la abertura de ventilación del horno, las superficies cercanas a esta abertura, la puerta del horno, las superficies circundantes a la puerta del horno y la ventana del horno.
- El uso inapropiado de las puertas del horno (como para pararse, sentarse o recargarse en ellas) puede dar como resultado riesgos potenciales y/o lesiones

Corte de energía

Si ocurre un corte de energía, no funcionarán los encendedores eléctricos. No se debe intentar hacer funcionar el artefacto durante un corte de energía. Revise que el control del horno esté en posición apagada "OFF".

Puede haber un corte de energía momentáneo que pase desapercibido. La estufa se ve afectada solo cuando se interrumpe la alimentación. Cuando vuelve, la estufa funciona debidamente sin necesidad de ningún ajuste. Una "disminución de voltaje" puede o no afectar el funcionamiento de la estufa, dependiendo del grado de gravedad que tenga la pérdida de energía. Si la estufa está en el ciclo de autolimpieza cuando ocurra el corte de energía, espere a que vuelva la corriente y deje que la puerta se destrabe automáticamente. Apague todos los controles y reinicie el ciclo de autolimpieza, siguiendo las instrucciones.

⚠ ADVERTENCIA

NUNCA use el aparato como calefactor para calentar o entibiar un cuarto para prevenir riesgos potenciales al usuario y daños al aparato. Asimismo, **NO** use la superficie para cocinar ni el horno como área para guardar comida o utensilios de cocina.

⚠ ADVERTENCIA



RIESGO DE CHOQUE ELÉCTRICO

NO toque una bombilla de luz caliente del horno con un paño húmedo ya que podría quebrarse la bombilla. En caso de que se quiebre la bombilla, desconecte la corriente eléctrica al artefacto en el fusible o disyuntor principal antes de quitar la bombilla para evitar choque eléctrico.

⚠ ADVERTENCIA

NUNCA se papel de aluminio para cubrir las parrillas ni la parte inferior del horno. Si lo hace puede provocar un riesgo de descarga eléctrica, incendio o daño al electrodoméstico. Use el papel aluminio sólo como se indica en este manual.

⚠ ADVERTENCIA

RIESGO DE QUEMADURA



La puerta del horno, sobre todo el vidrio, puede estar caliente. Peligro de quemadura: no toque el vidrio.

⚠ ADVERTENCIA

Nunca coloque bandejas en la parte inferior del horno. Hacerlo podría dañar el aparato. Siempre use las parrillas del horno cuando se cocina.

⚠ ADVERTENCIA

NO almacene sobre la unidad artículos que sean de interés para los niños. Si los niños tratan de alcanzar estos artículos podrían resultar gravemente lesionados.

⚠ ADVERTENCIA



RIESGO DE DESCARGAS ELÉCTRICAS

Desconecte el suministro eléctrico en el fusible principal o en el disyuntor antes de cambiar la bombilla.

⚠ ADVERTENCIA

Revise cuidadosamente la comida durante el proceso de deshidratación para asegurarse de que no se incendie.

⚠ ADVERTENCIA



RIESGO DE QUEMADURAS O DESCARGAS ELÉCTRICAS

Antes de limpiar el horno asegúrese de que todos los controles estén APAGADOS y que el horno esté FRÍO. Si no lo hace puede sufrir quemaduras o descargas eléctricas.

⚠ PRECAUCIÓN

Este aparato no se destina para utilizarse por personas (incluyendo niños) cuyas capacidades físicas, sensoriales o mentales sean diferentes o estén reducidas, o carezcan de experiencia o conocimiento, a menos que sean dichas personas reciban una supervisión o capacitación para el funcionamiento del aparato por una persona responsable de su seguridad.

Los niños deben supervisarse para asegurar que ellos no empleen los aparatos como juguete.

⚠ PRECAUCIÓN

Evite enfermedades y desperdicio de comida, **NO** permita que la comida descongelada permanezca en el horno durante más de dos horas.

⚠ PRECAUCIÓN

NO encienda el control de temperatura durante el ciclo de descongelación. Al encender el ventilador de convección se acelerará la descongelación de los alimentos sin calor.

Antes de usar la estufa

Todos los productos se limpian con solventes en la fábrica para remover cualquier rastro de suciedad, aceite y grasa que pueda haber quedado del proceso de fabricación. Antes de empezar a cocinar, limpie la estufa minuciosamente con agua jabonosa caliente. La primera vez que use el electrodoméstico algunos materiales podrían quemarse y producir olores, esto es normal.

Todos los modelos incluyen:

- **Exclusivo** sistema de quemadores VSH™ Pro Sealed (Vari-Simmer™ a alto) Quemador derecho frontal equipado con quemador TruPower Plus™ 18.500 BTU. Todos los quemadores equipados con 15.000 BTU.
- **Exclusivo** ajuste VariSimmer™ para todos los quemadores ofrece un fuego lento suave y parejo.
- **Exclusivo** Sistema SureSpark™ de encendido con re-encendido automático para lograr prender de manera uniforme y confiable todos los quemadores.
- **Exclusiva** superficie para cocinar de una pieza enlozada y trabajada para contener los derrames y facilitar la limpieza.
- Exclusiva superficie porcelanizada hecha de una sola pieza que contiene los derrames facilitando la limpieza.
- Horneado por convección con un quemador oculto de 30.000 BTU que proporciona un horneado rápido y uniforme de todos sus guisos así como una fácil limpieza.
- Un asador por infrarrojo que alcanza 1,500 °F cuando la puerta está cerrada y permite que el calor intenso chamusque cortes delicados de carne, infundiéndoles el sabor de un restaurante.
- Dos luces que iluminan la cavidad del horno de la estufa VGR con menos resplandor.
- Seis posiciones para las parrillas y tres parrillas que permiten que haya suficiente espacio para todas sus necesidades de horneado.

CONTROLES DEL PRODUCTO

Funciones y Ajustes del horno

BAKE (Horneado con flujo natural de aire)

Use este ajuste para hornear, rostizar y cocinar guisos.

CONV BAKE (Horneado por convección)

Use este ajuste para hornear y rostizar comida al mismo tiempo con un mínimo de transferencia de sabor.

BROIL (Asador por infrarrojo)

Use este ajuste para asar carnes oscuras de 1" de grosor o menos cuando se desean medio hechas o poco hechas.

CONV BROIL (Asado infrarrojo por convección)

Use este ajuste para asar cortes gruesos de carne.

DESHIDRATACIÓN POR CONVECCIÓN (Conv Bake con calor)

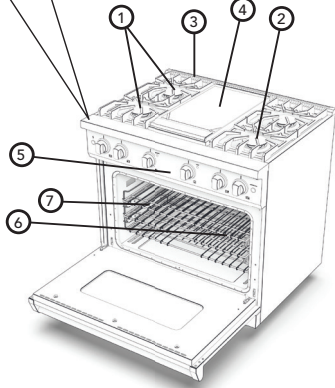
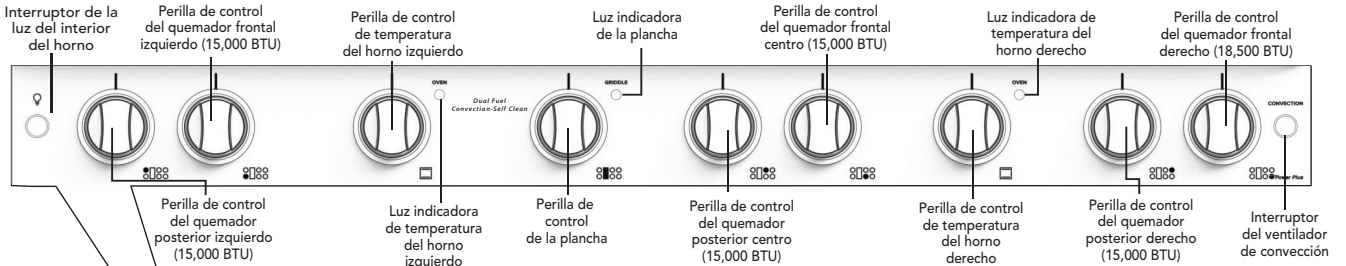
Use esta función para deshidratar frutas y verduras.

Descongelación por convección (Conv Bake sin calor)

Use esta función para descongelar comida.

Nota: Consulte la sección Operación para ver más información sobre las funciones del horno.

Características de la estufa

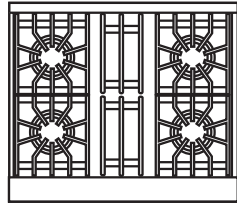


Se muestra el modelo de 48" con cuatro quemadores/plancha

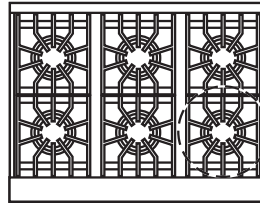
1. Cinco quemadores sellados de 15,000 BTU
2. Un quemador sellado TruPower Plus™ de 18,500 BTU
3. Moldura para isla
4. Plancha (opcional)
5. Placa de identificación
6. Dos parrillas que se deslizan completamente/Un parrillas estándar de trabajo pesado a prueba de ladeamiento, seis posiciones para las parrillas.
7. Dos parrillas estándar de trabajo pesado a prueba de ladeamiento, seis posiciones para las parrillas



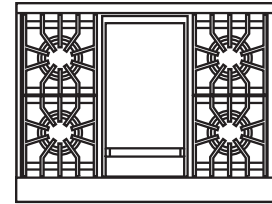
Indica modelos con quemador TruPower Plus™ de 18,500 BTU



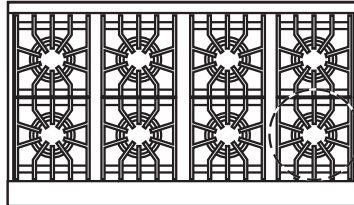
Modelo de 30" con cuatro quemadores



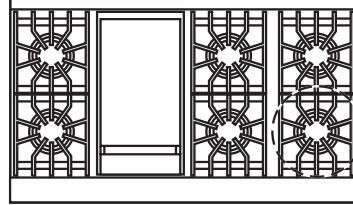
Modelo de 36" con seis quemadores



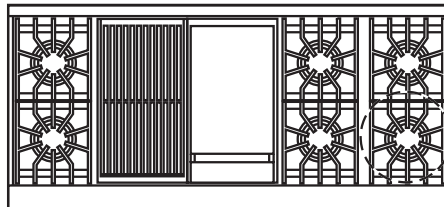
Modelo de 36" con cuatro quemadores y plancha



Modelo de 48" con ocho quemadores



Modelo de 48" con seis quemadores y plancha



Modelo de 60" con seis quemadores, parrilla y plancha

OPERACIÓN

Operación de los elementos de la superficie

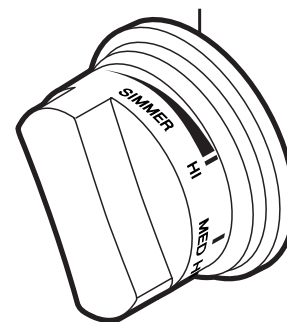
Para encender los quemadores

Todos los quemadores se encienden por ignición eléctrica. No hay pilotos de llama expuesta ni constantemente encendidos.

Reencendido automático de los quemadores

Para encender los quemadores, presione y gire hacia la izquierda la perilla de control apropiada a cualquier posición. Este control es tanto una válvula de gas como un interruptor eléctrico. Los quemadores se encenderán en cualquier posición "ON" con el sistema de reencendido automático. Si la llama se apaga por cualquier razón, los quemadores se volverán a encender automáticamente siempre y cuando el gas esté fluyendo. Cuando se permite que el gas fluya a los quemadores, los elementos de ignición eléctrica comienzan a producir chispas. En todos los elementos de ignición de la superficie debe escuchar un clic. Si no lo escucha, apague el control y revise que la unidad esté conectada y que el fusible del circuito o el disyuntor no esté fundido o disparado.

En unos momentos, debe haber viajado suficiente gas al quemador para poderlo encender. Cuando se encienda el quemador, gire el control del quemador hasta cualquier posición para ajustar el tamaño de la llama. El ajuste de la altura de la llama para el proceso de cocinado deseado, y la selección del recipiente adecuado para cocinar, darán como resultado un rendimiento superior, y a la vez se ahorrará tiempo y energía.



Vari-Simmer™

Cocinar a fuego lento es una técnica en la que los alimentos se cocinan en líquidos calientes que se mantienen justamente por debajo del punto de ebullición del agua. Esta técnica es más suave que la ebullición, y evita que la comida se endurezca y/o se desbarate. El tamaño del recipiente y el volumen de los alimentos pueden tener un efecto significativo en la altura de la llama necesaria para cocinar a fuego lento. Por esta razón, los quemadores de las estufas y superficies para cocinar Viking incluyen un ajuste Vari-Simmer. Vari-Simmer no es un solo ajuste para cocinar a fuego lento, sino que proporciona una variedad de ajustes de cocinado a fuego lento. Esta variedad de ajustes le permite modificar la altura de la llama para lograr el mejor resultado dependiendo del tipo y la cantidad de comida que se está cocinando. Es esta característica la que hace que el ajuste Vari-Simmer sea el más seguro y confiable en el mercado.

Quemador TruPower Plus™ (cuando sea aplicable)

Ciertos modelos de estufas están equipados con un quemador TruPower Plus de 18,500 BTU en la posición frontal derecha. Este quemador está diseñado para proporcionar calor adicional especialmente cuando se usan cacerolas grandes, y se debe usar para hervir grandes cantidades o cuando necesita que algo hierva rápidamente. Aunque el quemador TruPower Plus tiene la potencia adicional para hacer hervir rápidamente grandes cantidades de líquidos, también se puede ajustar lo suficientemente bajo para proporcionar un fuego muy bajo y delicado, lo cual convierte a este quemador en el más versátil del mercado.

Consejos para cocinar

- Use llamas de altura baja o media cuando cocine en recipientes que son malos conductores de calor como vidrio, cerámica y hierro fundido. Reduzca la altura de la llama hasta que cubra aproximadamente 1/3 del diámetro del recipiente de cocina. Al hacer esto tendrá un calentamiento más uniforme dentro del recipiente y reducirá la posibilidad de que la comida se queme.
- Reduzca la llama si se extiende más allá del fondo del recipiente. Una llama que se extiende por los lados del recipiente es potencialmente peligrosa ya que calienta el mango del utensilio y la cocina en lugar de calentar la comida, y desperdicia energía.

- Reduzca la altura de la llama al mínimo nivel necesario para llevar a cabo el proceso de cocimiento deseado. Recuerde que la comida se cocina igual de rápido cuando hierve lentamente que cuando hierve en forma intensa. Si mantiene la comida hirviendo en forma más intensa que lo necesario, malgasta energía, elimina la humedad y causa que se pierdan el sabor y el nivel nutritivo de la comida.
- El diámetro mínimo recomendado de la sartén o cacerola es de 6" (15 cm). Puede usar recipientes de hasta 4" (10 cm) pero no se recomienda.

Ajustes* de temperatura de los quemadores*

Ajuste de temperatura	Uso
Simmer (Fuego lento)	Para fundir cantidades pequeñas Arroz al vapor Cocinar salsa a fuego lento
Low (Bajo)	Para fundir cantidades grandes
Med Low (Medio bajo)	Para freír a baja temperatura (huevos, etc.) Para hervir a fuego lento grandes cantidades Para calentar leche, salsas de crema, salsas de carne y pudines
Med (Medio)	Saltear y dorar, estofar y freír en sartén Para mantener hirviendo lentamente grandes cantidades de comida
Med High (Medio alto)	Para freír a alta temperatura Para dorar en el sartén Para mantener hirviendo a fuego alto grandes cantidades de comida
High (Alto)	Para hervir agua rápidamente, freír en grandes cantidades de aceite usando utensilios grandes

***Note:** La información anterior se proporciona sólo como guía. Es posible que necesite variar los ajustes de temperatura para adecuarse a sus requerimientos personales

Recipientes para cocinar

Cada cocinero(a) tiene sus propias preferencias por ciertos recipientes de cocina que son más adecuados para el tipo de proceso que quiere hacer. Todos los recipiente son adecuados para usarse en la estufa por lo que no es necesario que reemplace sus recipientes con recipientes comerciales. Esto es cuestión de preferencia personal. Como con cualquier otro recipiente, los que tenga actualmente deben estar en buenas condiciones y libres de daños excesivos en el fondo para permitir su máximo rendimiento y conveniencia.

Nota: Cuando use ollas grandes y/o cocine con llamas altas, se le recomienda que use los quemadores del frente. Hay más espacio en el frente y se reducirá la necesidad de limpiar la parte posterior del electrodoméstico debido a manchas y decoloración.

Plancha/placa de fuego lento (en los modelos correspondientes)

La plancha de 15,000 BTU opcional está construida de acero labrado a máquina con acabado Blanchard, y está diseñada exclusivamente para ofrecer un excelente rendimiento en el cocimiento y facilitar la limpieza. La plancha está equipada con un termostato electrónico para mantener una temperatura uniforme en toda su superficie una vez que se ha ajustado la temperatura deseada. Tiene una luz indicadora que brilla cuando se enciende su termostato. Esta luz se encenderá y apagará según sea necesario para indicar que el termostato está manteniendo la temperatura seleccionada. Antes de usar la plancha es importante acondicionarla. Este proceso de acondicionamiento cambiará el aspecto de la plancha. Sin embargo, también evitará que la comida se pegue y protegerá la superficie contra la humedad.

Acondicionamiento de la plancha antes de usarla por primera vez

- Restriegue la plancha con una mezcla de un cuarto de agua caliente y 1/4 de taza de vinagre blanco usando una almohadilla Scotch-Brite™ azul. Seque completamente.
- Lave la plancha con agua jabonosa caliente. Enjuáguela y séquela completamente.
- Acondicione la plancha recubriendo su superficie con una capa delgada de aceite vegetal sin sal, aproximadamente 1/2 a 1 cucharadita.
- Aplique el aceite a toda la plancha con una toalla de papel o un paño limpio. Deje que el aceite repose en la plancha por aproximadamente una hora y luego límpiela con un paño limpio o una toalla de papel para absorber el aceite residual. Ahora la plancha está lista para usarse.

Operación de la plancha y de la placa

- Gire la perilla de control de la plancha hacia la izquierda al ajuste de temperatura deseado. La luz indicadora se iluminará indicando que el termostato de la plancha está encendido.
- La plancha doble tiene dos perillas de control del termostato que controlan quemadores separados ubicados debajo de la plancha.
- Cuando la plancha alcanza la temperatura deseada, la luz indicadora se apaga indicando que la plancha está precalentada a la temperatura deseada.
- Use aceite líquido para cocinar o mantequilla para huevos, panqueques, tostadas francesas, pescado y emparedados a fin de evitar que se peguen.
- Mientras cocina, raspe rutinariamente las partículas de comida sueltas con una espátula de metal para facilitar la limpieza y para evitar que las partículas se mezclen con la comida.
- Para apagar la plancha, gire la perilla del termostato hacia la derecha a la posición "OFF".
- SIEMPRE coloque la perilla en la posición "OFF" cuando no use la plancha, y baje la temperatura entre lotes de comida.

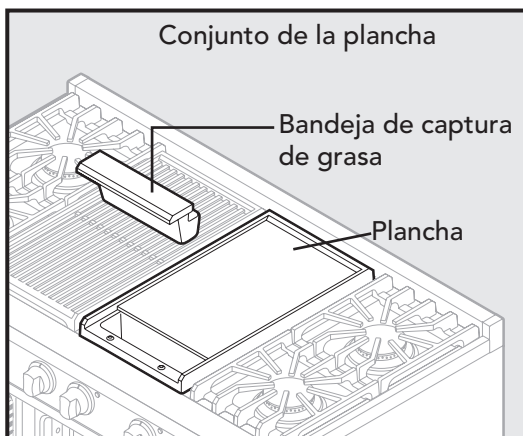
Tabla para cocinar en la plancha

Comida	Temp (°F)	Temp (°C)
Huevos	200	93
Tocino	300-325	149-163
Panqueques	375-400	191-205
Tostada francesa	400	205
Fletes de pescado	300	149
Hamburguesas	350	177
Bisteces	350	177

Limpieza y cuidado de la plancha y de la placa

- No es necesario lavar la plancha después de cada uso. Cuando cocine algo ligero, y DESPUÉS de que la plancha se enfríe, simplemente limpie la superficie con un paño limpio o una toalla de papel. Los aceites de la comida que se cocinó en la plancha la acondicionarán naturalmente proporcionando una superficie antiadherente "natural".
- Después de que cocine por un periodo largo y mientras la plancha está aún lo suficientemente caliente como para generar vapor, vierta directamente sobre ella una pequeña cantidad de agua de soda a temperatura ambiente. Con una espátula de metal, conduzca los aceites y las partículas de comida hacia la bandeja que se encuentra en el frente. Limpie toda la superficie con una toalla de papel. Proceda a acondicionar la plancha con aceite.
- Si mantiene la plancha bien acondicionada evitará que su superficie se oxide. Si no usa la plancha por un periodo de tiempo, debe volver a acondicionarla. Debe volver a acondicionar la plancha cada vez que la lave.
- No se recomienda usar rocío para cocinar antiadherente, ya que contiene una gran cantidad de agua que tiene la tendencia a quemarse rápidamente.
- Tampoco se recomienda usar aceite de maíz debido a que tiene un alto contenido de azúcar. El azúcar se caramelizará y se quemará en la superficie y será muy difícil quitarla.

- Después de usar la plancha, siempre quite la bandeja de captura de grasa ubicada en el frente. Simplemente jale la bandeja hacia usted y levántela. Asegúrese de permitir que todas las superficies se enfríen antes de quitar la bandeja de captura de grasa. Es necesario limpiar la bandeja de captura después de cada uso. Puede generarse un riesgo de incendio si la grasa se acumula en la bandeja.
- Nota: es normal que la plancha se oscurezca con el tiempo. Esto es señal de una plancha bien acondicionada.
- Importante: nunca sature una plancha caliente con agua fría. Este choque térmico puede combar la plancha y causar que se fracture si se hace por un periodo de tiempo.



Funcionamiento de los quemadores de la superficie

Asado a la parrilla (en ciertos modelos)

La parrilla opcional de 18,000 BTU está equipada con una rejilla de una sola pieza, hecha de hierro fundido porcelanizado de alta resistencia, que permite mover fácilmente los productos que se están asando. Debajo de la rejilla se encuentran dos placas ranuradas porcelanizadas que generan sabor y que están diseñadas para capturar los escurrimientos y circular el sabor del humo otra vez a la comida. Debajo de las placas generadoras de sabor se encuentra un recipiente de dos piezas que captura todos los escurrimientos que pudieron haber pasado por las placas generadoras de sabor. Este exclusivo sistema está diseñado para permitir en el interior un asado de calidad como el del exterior.

Operación de la parrilla de asado

- Antes de encender la parrilla, abra la ventilación de la cubierta superior.
- Gire hacia la izquierda la perilla de control de la parrilla hasta la posición HI (Alto).
- Deje siempre que la parrilla se caliente entre 5 y 10 minutos antes de colocar la comida sobre ella.
- Coloque los productos sobre la parrilla y cocínelos a su gusto.
- Para apagar la parrilla, gire la perilla de control correspondiente hacia la derecha hasta la posición "OFF".

Sugerencias para cocinar en la parrilla de asado

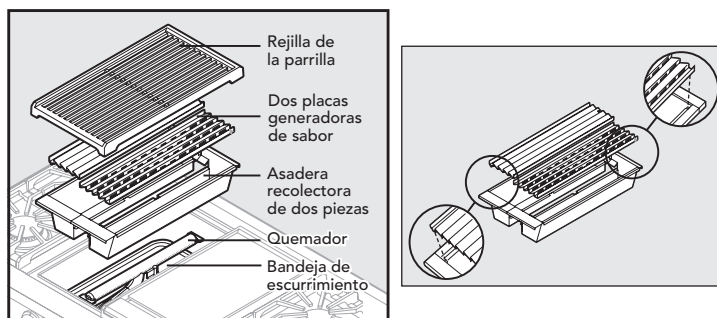
- Cocine el pollo, los costillares y los bisteces bien hechos o las chuletas, así como los trozos gruesos de carne, primero en HI para que se doren. Luego baje la temperatura para evitar un exceso de llamas. Esto permitirá que la comida se cocine completamente sin quemarse en la parte exterior.
- Después de dorar los bisteces, las chuletas o las hamburguesas durante aproximadamente un minuto, puede deslizar una espátula debajo de la carne y girarla aproximadamente 90° para marcar un patrón cuadrado en la carne.
- Use una espátula de metal en lugar de pinzas o un tenedor para voltear la carne. La espátula no perforará la carne ni permitirá así que se escape el jugo.
- Voltee la carne sólo una vez. Cuando los bistecs, las chuletas o las hamburguesas se voltean varias veces, pierden el jugo. El mejor momento de voltear la carne es después de que los jugos comiencen a burbujear en la superficie.
- Para probar si la carne está cocida, haga un pequeño corte en el centro, nunca en los bordes. Esto evitará la pérdida de los jugos.
- Ocasionalmente pueden producirse llamas sobre la parrilla provocadas por la grasa que cae en las placas generadoras de sabor. Es normal que durante la cocción se produzcan llamas. Use una espátula de mango largo para pasar la comida a otro lugar mientras las llamas disminuyen.

- Para que la limpieza sea más fácil, deje la parrilla encendida durante 10 minutos después de terminar de asar. Esto facilitará la limpieza una vez que se enfríe.

Conjunto de la parrilla de asado

Siga estos pasos para desmontar la parrilla de asado a fin de limpiarla. Asegúrese de que la parrilla esté completamente fría antes de intentar desmontarla para limpiarla.

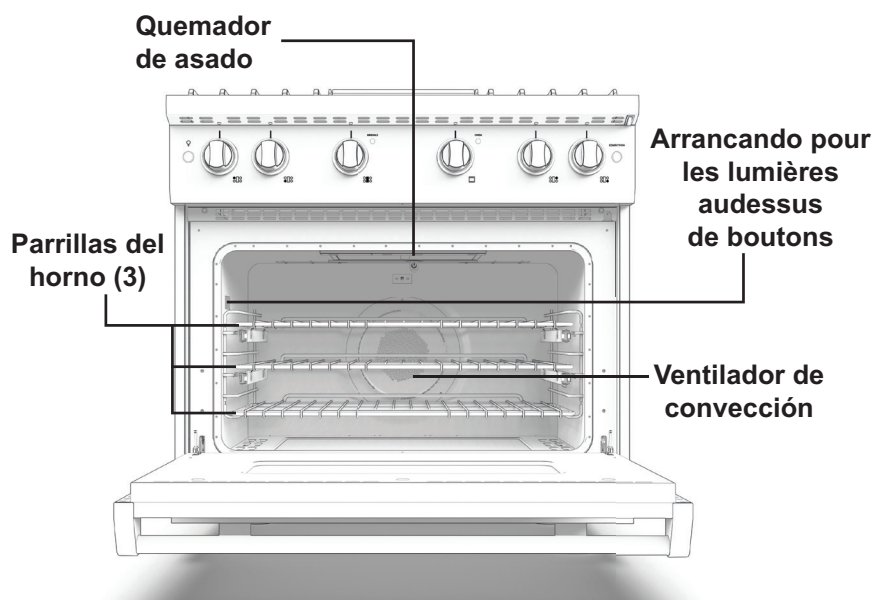
- Quite la rejilla de la parrilla.
- Quite la placa generadora de sabor.
- Quite la asadera recolectora. Note que la asadera recolectora consiste en dos piezas.



Limpieza y cuidado de la parrilla de asado

- Rejillas de la parrilla:
 - » Se pueden limpiar inmediatamente después de terminar de cocinar y antes de apagar la llama. Antes de limpiar la parrilla, baje la llama a un ajuste inferior (Med o Low). Use un cepillo de cerdas blandas para restregar la rejilla. Moje frecuentemente el cepillo en un tazón con agua. Cuando el agua entra en contacto con la rejilla caliente se genera vapor. El vapor ayuda en el proceso de limpieza al ablandar las partículas de comida.
 - » Para una limpieza profunda de la rejilla, use un limpiador de parrillas que cumpla las instrucciones del fabricante, y sumérgala durante 15 a 20 minutos en una solución de agua caliente y detergente suave. Después de ponerla en remojo, fríguela con una esponja Scotch-Brite™ azul. No use esponjas de lana de acero o limpiadores abrasivos, ya que podría dañar el acabado de porcelana. Seque completamente.
- Placas generadoras de sabor y asadera recolectora:
 - » Raspe todos los residuos quemados. Las placas y la asadera pueden lavarse en el lavavajillas. Si prefiere no lavar esos componentes en el lavavajillas, sumérjalos durante 15 a 20 minutos en una solución de agua caliente y detergente suave. Después de ponerlos en remojo, fríguelos con una esponja Scotch-Brite™ azul.

Características del horno



Posición de las parrillas

Cada 30", 36", 48" de derecha y ambos 60" w. de los hornos están equipados con tres parrillas de la prueba de inclinación. El horno de 18" de izquierda está equipado con tres parrillas estándar de la prueba de inclinación. Todos los hornos tienen seis posiciones para las parrillas. La posición 6 es la que se encuentra más lejos del fondo del horno. La posición 1 es la que se encuentra más cerca del fondo del horno. Las parrillas se pueden quitar y arreglar fácilmente en varios niveles. Para obtener los mejores resultados durante el horneado convencional, **NO** use más de una parrilla a la vez. También se recomienda que cuando use dos parrillas, use las posiciones 2 y 4 o las posiciones 3 y 5.

Uso del horno

Cocinado convencional y por convección

Debido a las variaciones en la densidad, textura superficial y consistencia de los alimentos, algunas comidas se pueden preparar mejor en el ajuste de horneado convencional. Por esta razón se recomienda el horneado convencional cuando se preparan artículos horneados como natillas. El usuario puede descubrir que con otras comidas los resultados son más constantes usando el horneado convencional. Esto es perfectamente normal. El cocinado por convección es una técnica en la que un ventilador fuerza aire en el horno, y este aire distribuye el calor en toda la cavidad del horno creando un ambiente de cocinado óptimo. El cocimiento por convección está diseñado para hornear en varias parrillas o para hornear comidas más densas. A continuación se encuentran algunas sugerencias que le permitirán obtener los mejores resultados con su horno cuando cocine por convección.

- Como regla general, para convertir recetas convencionales a recetas por convección, reduzca la temperatura 25 °F (14 °C) y el tiempo de cocimiento aproximadamente de 10 a 15 %.
- Los tiempos de cocinado del horneado estándar y del horneado por convección son los mismos. Sin embargo, si se usa el horneado por convección para cocinar un solo producto o una carga más pequeña, es posible que el tiempo de cocimiento se reduzca de 10 a 15 %. (Recuerde que el cocimiento por convección está diseñado para hornear en varias parrillas o cocinar cargas grandes.)
- Si va a cocinar artículos que requieren más de 45 minutos, podrá ver una reducción de 10 a 15 % en los tiempos de cocimiento. Esto es especialmente cierto para productos grandes cocinados con la función de rostizado por convección.
- Una ventaja importante en el cocimiento por convección es la capacidad de preparar grandes cantidades de comida. La circulación uniforme del aire permite que esto sea posible. Los alimentos que se pueden preparar en dos de tres parrillas al mismo tiempo incluyen pizza, pasteles, galletas, bisques, muffins, rollos y comidas preparadas congeladas.
- Para hornear en tres parrillas, use cualquier combinación de las posiciones 2, 3, 4 y 5. Para hornear en dos parrillas, use las posiciones 2 y 4 o las posiciones 3 y 5. Recuerde que las parrillas están numeradas de abajo hacia arriba.

BAKE (Hornear con flujo de aire natural)

Se irradia el calor de toda la potencia desde los quemadores de horneado en el fondo de la cavidad del horno y se circula con un flujo de aire natural. Esta función es recomendable para hornear usando una sola rejilla. Muchos libros de cocina contienen recetas para cocinar de la manera convencional. El horneado convencional es apto para platos que requieren una alta temperatura. Use este ajuste para hornear y cocinar guisos.

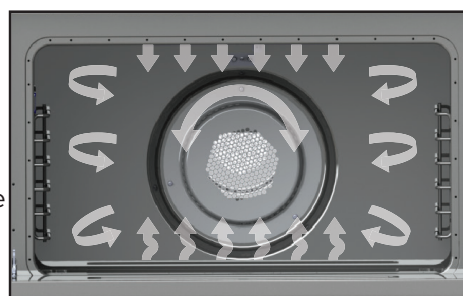


Para usar la función BAKE (Hornear)

1. Disponga la rejilla del horno en la posición deseada antes de encender el horno.
2. Cierre la puerta.
3. Fije la perilla de control de temperatura del horno en la temperatura deseada.

CONV BAKE (hornear con convección)

Se irradia el calor desde los quemadores de horneado en forma de U ubicados en el fondo de la cavidad del horno. El aire calentado se circula mediante un ventilador motorizado en la parte posterior del horno, dando una distribución más pareja del calor. Para realizar más cantidad de horneado es posible usar varias rejillas. Al asar, el aire fresco se reemplaza rápidamente—dorando carnes por fuera y reteniendo más jugos y sabor natural por dentro con menos encogimiento. Esta circulación pareja del aire iguala la temperatura por toda la cavidad del horno y elimina los puntos calientes y fríos que crean los hornos convencionales



PARA USAR LA FUNCIÓN CONVECTION BAKE (HORNEAR CON CONVECCIÓN)

1. Disponga la rejilla del horno en la posición deseada antes de encender el horno.
2. Cierre la puerta.
3. Fije la perilla de control de temperatura del horno en la temperatura deseada y encienda el interruptor del ventilador de convección.

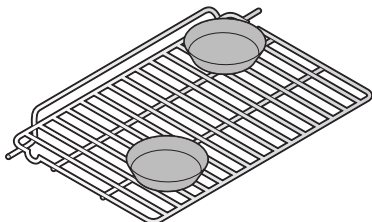
Consejos para hornear

- Confirme que las rejillas del horno estén en la posición deseada antes de encender el horno.
- **NO** abra la puerta frecuentemente durante el horneado. Mire por la ventana de la puerta para ver si está listo siempre que sea posible. Si debe abrir la puerta, el mejor momento es durante el último cuarto del tiempo de horneado.
- Hornee con el tiempo más corto sugerido y revise si está listo antes de agregar más tiempo. Para productos horneados, debe salir limpio un cuchillo de acero inoxidable colocado al centro del producto cuando esté listo.
- Use el tamaño y tipo de fuente recomendados por la receta para asegurar óptimos resultados. Los pasteles, panes rápidos, muffins y galletas deben hornearse en moldes o bandejas brillantes, reflectoras para lograr cortezas doradas y livianas. Evite usar moldes o bandejas viejas y oscuras. Si estos son de acero inoxidable y revestidos de hojalata y están deformados o abollados se calientan irregularmente y no dan resultados uniformes al hornear.

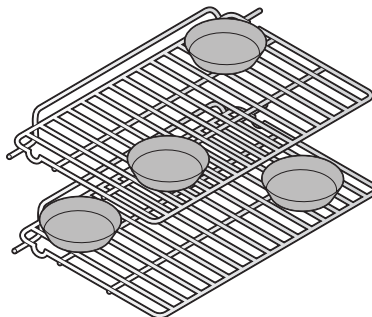
Consejos para poner bandejas o fuentes

- Al usar fuentes o bandejas planas grandes de 38 x 33 cm (15 x 13 pulg.) que cubren la mayor parte de la rejilla, las posiciones de rejilla 2 o 3 producen los mejores resultados.
- Al hornear usando más de una rejilla, se recomienda usar la posición 3 y la 5 para hornear de manera más constante y pareja.
- Distribuya las fuentes en direcciones opuestas cuando se usen dos rejillas y varias fuentes al hornear de manera convencional. Si es posible, no debe haber ninguna fuente directamente sobre otra.
- Deje 2,5 a 5 cm (1 a 2 pulg.) de espacio de aire alrededor de todos los lados de cada fuente para que circule el aire parejamente.

Colocación de fuentes en una rejilla



Colocación de fuentes en varias rejillas



Resolución de problemas de horneado

Los problemas en el horneado pueden ocurrir por varias razones. En la tabla que aparece abajo puede encontrar las causas y la solución de los problemas mas comunes. Es importante recordar que el ajuste de la temperatura y el tiempo de cocimiento que usaba en su horno anterior pueden variar ligeramente a los que usará en este horno. Si esto es cierto en su caso, es necesario que ajuste sus recetas y tiempos de cocimiento de la manera correspondiente.

PROBLEMAS COMUNES DE HORNEADO Y SU SOLUCIÓN		
Problemas	Causa	Solución
Los pasteles se queman en los lados y quedan crudos en el centro	<ol style="list-style-type: none"> 1. El horno estaba demasiado caliente 2. Tamaño incorrecto del molde 3. Muchos moldes 	<ol style="list-style-type: none"> 1. Reduzca la temperatura 2. Use el molde del tamaño recomendado 3. Reduzca el número de moldes
El pastel se rompe en la parte superior	<ol style="list-style-type: none"> 1. La masa es demasiado espesa 2. El horno está demasiado caliente 3. Tamaño incorrecto del molde 	<ol style="list-style-type: none"> 1. Siga la receta Añada líquido 2. Reduzca la temperatura 3. Use el molde del tamaño recomendado
Los pasteles no están nivelados	<ol style="list-style-type: none"> 1. La masa está irregular 2. El horno o la parrilla no está nivelado 3. El molde estaba combado 	<ol style="list-style-type: none"> 1. Distribuya la masa regularmente 2. Nivele el horno o la parrilla 3. Use un molde adecuado
La comida se dora mucho en el fondo	<ol style="list-style-type: none"> 1. La puerta del horno se abrió con mucha frecuencia 2. Está usando moldes oscuros 3. Posición incorrecta de la parrilla 4. Ajuste de horneado incorrecto 5. El molde es demasiado grande 	<ol style="list-style-type: none"> 1. Use la ventana de la puerta para revisar la comida 2. Use moldes brillantes 3. Use la posición recomendada de la parrilla 4. Ajuste a convencional o a convección según sea necesario 5. Use el molde adecuado
La comida se doró demasiado en la superficie	<ol style="list-style-type: none"> 1. La parrilla está colocada demasiado alto 2. No precalentó el horno 3. Los lados del molde están demasiado altos 	<ol style="list-style-type: none"> 1. Use la posición recomendada de la parrilla 2. Permita que el horno se precaliente 3. Use los moldes adecuados
Las galletas están demasiado aplastadas	<ol style="list-style-type: none"> 1. La bandeja de galletas está caliente 	<ol style="list-style-type: none"> 1. Permita que la bandeja se enfríe entre lotes de galletas
Se queman los bordes de las tartas	<ol style="list-style-type: none"> 1. El horno está demasiado caliente 2. Se usaron demasiados moldes 3. No precalentó el horno 	<ol style="list-style-type: none"> 1. Reduzca la temperatura 2. Reduzca el número de moldes 3. Permita que el horno se precaliente
Las tartas quedan muy pálidas en la parte superior	<ol style="list-style-type: none"> 1. El horno no está suficientemente caliente 2. Se usaron demasiados moldes 3. No precalentó el horno 	<ol style="list-style-type: none"> 1. Aumente la temperatura 2. Reduzca el número de moldes 3. Permita que el horno se precaliente

TABLA PARA HORNEAR				
Alimento	Tamaño del molde	Posición de una parrilla	Temperatura	Tiempo (min)
PANES				
Bisquetes	Bandeja para galletas	3 o 4	400 °F (205 °C)	8 - 10
Pan de levadura	Molde para pan de caja	3 o 4	375 °F (190 °C)	30 - 35
Rollos de levadura	Bandeja para galletas	3 o 4	400 °F (205 °C)	12 - 15
Pan de nuez	Molde para pan de caja	3 o 4	375 °F (190 °C)	30 - 35
Pan de maíz	Molde de 8" x 8"	3 o 4	400 °F (205 °C)	20 - 25
Pan de gengibre	Molde de 8" x 8"	3 o 4	350 °F (177 °C)	35 - 40
Muffins	Molde para muffins	3 o 4	375 °F (190 °C)	15 - 20
Muffins de maíz	Molde para muffins	3 o 4	375 °F (190 °C)	15 - 20
PASTELES				
Pastel Angel food	Molde de rosca	3 o 4	375°F (191°C)	35 - 45
Pastel Bundt	Molde de rosca	3 o 4	350°F (177°C)	45 - 55
Panquecitos	Molde para muffins	3 o 4	350°F (177°C)	16 - 20
Pastel en capas, bandeja	Molde de 13" x 9"	3 o 4	350°F (177°C)	40 - 50
Pastel en capas, dos Panqué	Molde redondo de 9"	3 o 4	350°F (177°C)	30 - 35
	Molde para pan de caja	3 o 4	350°F (177°C)	60 - 65
GALLETAS				
Brownies	Molde de 13" x 9"	3 o 4	350°F (177°C)	25 - 30
De trocitos de chocolate	Bandeja para galletas	3 o 4	375°F (191°C)	12 - 15
De azúcar	Bandeja para galletas	3 o 4	350°F (177°C)	10 - 12
PASTELILLOS				
Bartolillos con crema	Bandeja para galletas	3 o 4	400°F (204°C)	30 - 35
TARTAS				
Corteza sin relleno	9" round	3 o 4	425°F (218°C)	10 - 12
Corteza con relleno	9" round	3 o 4	375°F (190°C)	55 - 60
Merengue de limón	9" round	3 o 4	350°F (177°C)	12 - 15
De calabaza	9" round	3 o 4	350°F (177°C)	40 - 45
Natillas	6-4 oz. cups	3 o 4	350°F (177°C)	35 - 40
PLATILLOS PRINCIPALES				
		3 o 4	400°F (204°C)	12 - 15
Egg rolls	Bandeja para galletas	3 o 4	425°F (218°C)	18 - 21
Varitas de pescado	Bandeja para galletas	3 o 4	375°F (191°C)	65 - 70
Lasaña, cong.	Bandeja para galletas	3 o 4	400°F (204°C)	35 - 40
Tarta de estofado	Bandeja para galletas	3 o 4	375°F (191°C)	65 - 70
Pimientos verdes rellenos	Molde de 13" x 9"			
Quiche	Molde redondo de 9"	3 o 4	400°F (204°C)	25 - 30
Pizza de 12"	Bandeja para galletas	3 o 4	400°F (204°C)	15 - 20
Macarrón con queso, cong.	Bandeja para galletas	3 o 4	375°F (191°C)	60 - 65
VEGETALES				
Papas horneadas	En la parrilla	3 o 4	375°F (191°C)	60 - 65
Soufflé de espinacas	Cacerola de un cuarto	3 o 4	350°F (177°C)	45 - 50
Calabaza	Bandeja para galletas	3 o 4	375°F (191°C)	50 - 55
Papas fritas	Bandeja para galletas	3 o 4	425°F (218°C)	20 - 25

***Nota:** La información anterior se proporciona sólo como guía.

TABLA PARA HORNEAR				
Alimento	Tamaño del molde	Posición de una parrilla	Temperatura	Tiempo (min)
PANES				
Bisquettes	Bandeja para galletas	2 y 4	375 °F (190 °C)	7 - 9
Pan de levadura	Molde para pan de caja	2 y 4	350 °F (177 °C)	20 - 25
Rollos de levadura	Bandeja para galletas	2 y 4	375 °F (190 °C)	11 - 13
Pan de nuez	Molde para pan de caja	2 y 4	350 °F (177 °C)	20 - 25
Pan de maíz	Molde de 8" x 8"	2 y 4	375 °F (190 °C)	15 - 20
Pan de jengibre	Molde de 8" x 8"	2 y 4	325 °F (163 °C)	30 - 35
Muffins	Molde para muffins	2 y 4	350 °F (177 °C)	12 - 15
Muffins de maíz	Molde para muffins	2 y 4	350 °F (177 °C)	0 - 12
PASTELES				
Pastel Angel food	Molde de rosca	3 o 4	325 °F (163 °C)	30 - 35
Pastel Bundt	Molde de rosca	3 o 4	325 °F (163 °C)	35 - 40
Panquecitos	Molde para muffins	2 y 4	325 °F (163 °C)	15 - 17
Pastel en capas, bandeja	Molde de 13" x 9"	2 y 4	325 °F (163 °C)	30 - 32
Pastel en capas, dos	Molde redondo de 9"	2 y 4	325 °F (163 °C)	25 - 30
Panqué	Molde para pan de caja	2 y 4	325 °F (163 °C)	5 - 50
GALLETAS				
Tipo brownies	Molde de 13" x 9"	2 y 4	325 °F (163 °C)	20 - 25
De trocitos de chocolate	Bandeja para galletas	2,3 y 4	350 °F (177 °C)	7 - 10
De azúcar	Bandeja para galletas	2,3 y 4	325 °F (163 °C)	9 - 10
PASTELILLOS				
Bartolillos con crema	Bandeja para galletas	2 y 4	375 °F (190 °C)	4 - 27
TARTAS				
Corteza sin relleno	Moldes redondos de 9"	2 y 4	400 °F (205 °C)	7 - 9
Corteza con relleno	Moldes redondos de 9"	2 y 4	350 °F (177 °C)	50 - 55
Merengue de limón	Moldes redondos de 9"	2 y 4	325 °F (163 °C)	4 - 5
De calabaza	Moldes redondos de 9"	2 y 4	325 °F (163 °C)	35 - 45
Natillas	6 tazas de 4 oz	2 y 4	325 °F (163 °C)	30 - 35
PLATILLOS PRINCIPALES				
Egg rolls	Bandeja para galletas	2 y 4	375 °F (190 °C)	8 - 10
Varitas de pescado	Bandeja para galletas	2 y 4	400 °F (205 °C)	13 - 16
Lasaña, cong.	Bandeja para galletas	2 y 4	350 °F (177 °C)	60 - 65
Tarta de estofado	Bandeja para galletas	2 y 4	375 °F (190 °C)	10 - 12
Pimientos verdes rellenos	Molde de 13" x 9"	2 y 4	350 °F (177 °C)	45 - 50
Quiche	Molde redondo de 9"	2 y 4	375 °F (190 °C)	20 - 25
Pizza de 12"	Bandeja para galletas	2 y 4	375 °F (190 °C)	10 - 12
Macarrón con queso, cong.	Bandeja para galletas	3 o 4	350 °F (177 °C)	45 - 50
VEGETALES				
Papas horneadas	En la parrilla	3 o 4	350 °F (177 °C)	45 - 50
Soufflé de espinacas	Cacerola de un cuarto	3 o 4	325 °F (163 °C)	35 - 40
Calabaza	Bandeja para galletas	3 o 4	350 °F (177 °C)	40 - 45
Papas francesas	Bandeja para galletas	3 o 4	400 °F (205 °C)	10 - 15

***Nota:** La información anterior se proporciona sólo como guía.

Asado

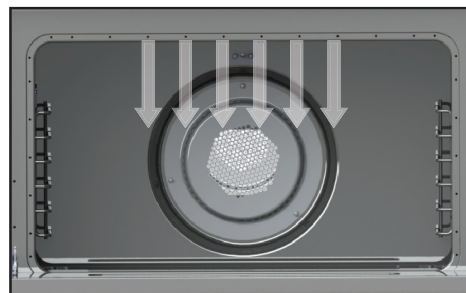
Instrucciones para asar con dorado

Asar con dorado es un método de cocción con calor seco que usa calor directo o radiante. Se usa para cortes pequeños, individualizados como bistecs, chuletas y croquetas. La velocidad para asar con dorado se determina según la distancia entre la comida y el elemento para asar. Elija la posición de la rejilla basándose en los resultados deseados. Utilice sólo puerta cerrada asar a la parrilla.

Asar de manera convencional es lo mejor para cortes de carne de 2,5-5 cm (1-2 pulg.) de grosor y también es apto para trozos planos de carne. Asar con convección tiene la ventaja de asar un poco más rápidamente que la manera convencional. Asar con convección las carnes produce mejores resultados, especialmente para cortes gruesos. La carne se dora por fuera y retiene más jugo y sabor natural por dentro con menos encogimiento.

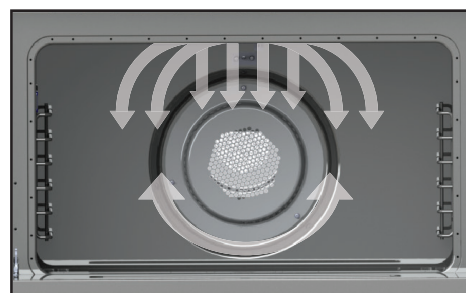
BROIL (Asar con sistema infrarrojo)

El quemador para asar/dorar en la parte superior del horno calienta la malla de metal hasta que resplandece. Irradia calor desde el asador infrarrojo GourmetGlo™ situado en la parte superior de la cavidad del horno. La distancia entre los alimentos y los elementos para asar/dorar determina la velocidad para asar. Para asar/dorar “rápido”, puede ponerse la comida hasta a 5 cm (2 pulg.) del elemento para asar/dorar en la rejilla superior. Es mejor asar “rápido” en caso de carnes donde se desea que queden poco o medianamente cocidas. Use este ajuste para asar cortes pequeños y promedio de carne.



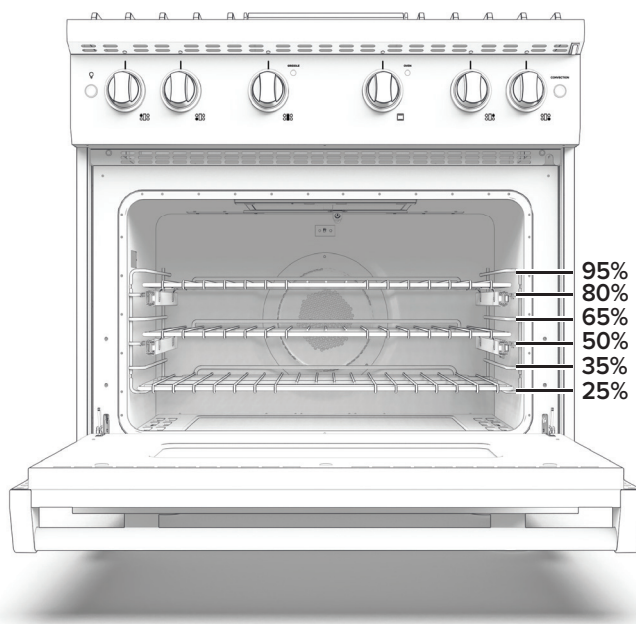
CONVECTION BROIL (Asar con convección infrarroja)

El quemador superior funciona a plena potencia. Esta función es exactamente la misma que al asar normalmente con la ventaja adicional de circular el aire con el ventilador motorizado en la parte posterior del horno. Se reduce el humo dado que el flujo de aire también reduce las temperaturas máximas en la comida. Use este ajuste para asar cortes gruesos de carnes.



Posiciones de la parrilla para asar

El asador utiliza rayos de calor para cocinar los alimentos. Porque estos rayos viajan solamente en líneas rectas, la zona de cocción eficaz del asador se reduce cuando se utilizan las posiciones más altas. En posiciones de altarack, los rayos no pueden alcanzar todos los rincones de la rejilla del asador, así grandes trozos de carne no pueden asar suficientemente en los bordes exteriores. Se muestran las áreas efectivas de cocción en la parrilla para asar para cada posición.



Nota: La posición 6 es la más cercana al elemento de asado, y la parrilla 1 es la más cercana al fondo.

Para usar la función de asado o asado por convección

1. Coloque la parrilla del horno en la posición deseada antes de encender el asador.
2. Centre la comida en la bandeja y la rejilla de asado que vienen con su horno cuando estén frías. Coloque la bandeja de asado en el horno
3. Coloque el selector de función del horno en la función de asado deseada y la perilla de control de temperatura en "Broil".
4. Cierre la puerta. La puerta no tiene un retén para mantenerla abierta durante el asado con la puerta abierta. Durante el asado con la puerta abierta el elemento de asado no realiza el ciclo de encendido y apagado. Durante el asado con la puerta cerrada el elemento de asado puede realizar el ciclo de encendido y apagado si se requiere un tiempo de asado extendido. Un "eliminador" de humo integrado que se encuentra en la parte superior del horno ayuda a reducir el humo y los olores.

Sugerencias para asar

- Utilice sólo puerta cerrada asar a la parrilla.
- **SIEMPRE** use la bandeja y la rejilla de asado para asar. Están diseñadas para permitir el escurrimiento de la grasa y los líquidos excesivos de la superficie de cocimiento y ayudan a evitar las salpicaduras, el humo y los incendios.
- Para evitar que la carne se rice, haga cortes en el borde grasoso.
- Con una brocha aplique varias veces mantequilla al pollo o al pescado para evitar que se reseque. Para evitar que los alimentos se peguen, engrase ligeramente la bandeja de asado.
- Ase el primer lado durante un poco más de la mitad del tiempo recomendado, condimente y voltee. Condimente el segundo lado inmediatamente antes de sacar la carne.
- **SIEMPRE** saque la parrilla hasta el tope antes de voltear o sacar la comida.
- Use pinzas o una espátula para voltear la carne. **NUNCA** perfore la carne con un tenedor para evitar el escape de los jugos.

TABLA PARA ASAR				
Tipo y corte de carne	Peso	Ajuste	Parrilla	Tiempo (min)
CARNE DE RES				
Solomillo, 1"				
Poco cocida	12 oz.	Asado convencional	3	7
Medio cocida	12 oz.	Asado convencional	3	9
Bien cocida	12 oz.	Asado convencional	3	11
Chuleta de costilla (T-bone), 3/4"				
Poco cocida	10 oz.	Asado convencional	3	5
Medio cocida	10 oz.	Asado convencional	3	7
Bien cocida	10 oz.	Asado convencional	3	9
Hamburguesa, 1/2"				
Poco cocida	1/4 lb.	Asado por convección	3	4
Medio cocida	1/4 lb.	Asado por convección	3	7
Bien cocida	1/4 lb.	Asado por convección	3	9
POLLO				
Pechuga sin hueso	11 lb.	Asado por convección	2	18
Pechuga con hueso	2 - 2 1/2 lb.	Asado convencional	2	20
Piezas de pollo	2 - 2 1/2 lb.	Asado por convección	2	18 (min/lb)
JAMÓN				
Rebanadas de jamón de 1"				
	1 lb.	Asado convencional	2	22
BORREGO				
Chuletas de costilla de 1"				
	12 oz.	Asado por convección	3	7
Lomo				
	1 lb.	Asado por convección	3	6
CERDO				
Chuletas de lomo, 3/4"				
	1 lb.	Asado por convección	2	14
Tocino				
		Asado convencional	2	6
PESCADO				
Bistec de salmón				
	1 lb.	Asado por convección	3	7
Filetes				
	1 lb.	Asado por convección	3	6

***Nota:** La información anterior se proporciona sólo como guía.

Deshidratar con convección

Este horno está diseñado no solo para cocinar, sino también para deshidratar frutas y verduras. Se circula aire tibio mediante un ventilador motorizado en la parte posterior del horno y por un periodo de tiempo, se elimina el agua del alimento por evaporación. Al eliminarse el agua se inhibe el crecimiento de microorganismos y retarda la actividad de las enzimas. Es importante recordar que la deshidratación no mejora la calidad, de tal modo que solo deben usarse alimentos frescos de óptima calidad.

1. Prepare los alimentos como se recomienda.
2. Disponga los alimentos sobre las rejillas para deshidratar (no se incluyen con el horno; póngase en contacto con una tienda local que se dedique a utensilios de cocina especializados).
3. Fije el control de temperatura en 93,3°C (200°F) y encienda el interruptor del ventilador de convección.

⚠ ADVERTENCIA

Usted debe revisar cuidadosamente la comida durante el proceso de deshidratación para confirmar que no se inflame.

Descongelar con convección

Se circula aire mediante un ventilador motorizado en la parte posterior del horno. El ventilador acelera la descongelación natural de los alimentos sin aplicar calor. Para evitar enfermedades y desperdicio de comidas, NO deje que quede comida descongelada dentro del horno por más de dos horas.

1. Ponga los alimentos congelados sobre una bandeja para hornear
2. Fije la perilla de control de temperatura del horno en apagado "OFF" y encienda el interruptor del ventilador de convección.


⚠ ADVERTENCIA

Para evitar enfermedades y desperdicio de comidas, NO deje que quede comida descongelada dentro del horno por más de dos horas.

CUIDADO DEL PRODUCTO

Limpieza y mantenimiento

⚠ ADVERTENCIA




RIESGO DE QUEMADURAS O DESCARGAS ELÉCTRICAS

Antes de limpiar el horno asegúrese de que todos los controles estén APAGADOS y que el horno esté FRÍO. Si no lo hace puede sufrir quemaduras o descargas eléctricas.

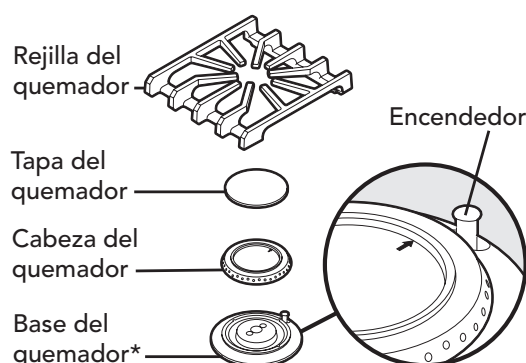
Todo equipo funciona mejor y dura más cuando se le da el mantenimiento adecuado y se mantiene limpio. El equipo para cocinar no es una excepción. Su estufa debe estar siempre limpia y recibir el mantenimiento adecuado. Antes de limpiar asegúrese de que todos los controles estén en la posición "OFF". Desconecte el suministro eléctrico si va a limpiar minuciosamente con agua.

Quemadores

NOTA: Al reemplazar la cabeza del quemador, la flecha debe estar apuntando hacia la parte posterior de la estufa.

Limpie todas las salpicaduras tan pronto sea posible y antes de que se quemen y se endurezcan. En el caso de un derrame, siga los siguientes pasos:

- Permita que el quemador y la rejilla se enfríen hasta una temperatura segura.
- Levante la parrilla del quemador. Lave con agua jabonosa caliente.
- Quite la tapa y el cabezal del quemador y límpielos.



Tapas de los quemadores

Las tapas de los quemadores se deben remover y limpiar frecuentemente. **SIEMPRE** limpie las tapas del quemador después de un derrame. Si se mantienen limpias las tapas se evitará un encendido inadecuado del quemador y llamas desiguales. Para limpiarlas, jale la tapa hacia arriba de la base del quemador. Limpie la superficie de las tapas con agua jabonosa caliente y un paño suave después de cada uso. Use un limpiador no abrasivo como Bon Ami™ y un cepillo suave o almohadillas Scotch Brite™ suaves para eliminar restos de comida endurecidos. Séquelas completamente después de limpiarlas. Para una mejor limpieza y para evitar la posible oxidación, **NO** las limpie en el lavaplatos ni en el horno de limpieza automática.

Cabeza del quemador

Si los orificios de la cabeza del quemador se tapan, límpielos con un alfiler. **NO** agrande ni deforme los orificios y **NO** los limpie con palillos. Cuando vuelva a colocar la cabeza del quemador, alinee las 2 lengüetas que están debajo de la cabeza del quemador con el borde exterior de su base. Asegúrese de que las lengüetas no estén alineadas con el encendedor y de que la tapa esté nivelada.

Base del quemador

La base se debe limpiar regularmente con agua jabonosa caliente al final de cada periodo de enfriamiento. **NO** use lana de acero ni paños, limpiadores o polvos abrasivos. Para quitar materiales incrustados, primero remoje el área con toallas calientes para aflojar el material, y luego use una espátula o raspador de madera o nilón. **NO** use cuchillos, espátulas ni ninguna otra herramienta de metal para raspar la base de aluminio.

- Limpie los derrames que queden en la superficie.
- Vuelva a instalar la tapa y la cabeza del quemador y las parrillas después de secarlos completamente.

Nota: Para manchas difíciles use un limpiador no abrasivo como Bon Ami™ y un cepillo suave o una almohadilla Scotch Brite™ suave.

Sugerencia de limpieza: Coloque las tapas y las cabezas difíciles de limpiar en bolsas plásticas sellables con amoníaco.

Parrillas del horno

Límpielas con detergente y agua caliente. Las manchas difíciles se pueden restregar con una almohadilla de lana de acero rellena de jabón.

Perillas de control

ASEGÚRESE DE QUE TODAS LAS PERILLAS DE CONTROL APUNTEN HACIA LA POSICIÓN DE APAGADO ANTES DE QUITARLAS. Saque las perillas jalándolas. Lávelas en detergente y agua caliente. Séquelas completamente y vuélvalas a poner empujándolas firmemente en el vástago.



Superficies del horno

Su horno tiene diferentes acabados. Su horno tiene un ciclo de limpieza automática. La sección de “Ciclo de limpieza automática” contiene las instrucciones completas. **NUNCA USE SOLUCIONES DE AMONIACO, ALMOHADILLAS DE LANA DE ACERO NI PAÑOS ABRASIVOS, LIMPIADORES, LIMPIADORES DE HORNOS NI POLVOS ABRASIVOS. ESTOS PRODUCTOS PUEDEN DAÑAR PERMANENTEMENTE SU HORNO.**

Piezas de acero inoxidable

Todas las piezas de acero inoxidable se deben limpiar regularmente con agua jabonosa caliente al final de cada periodo de enfriamiento, y con un limpiador líquido especial para ese material cuando el agua jabonosa no funcione. **NO** use lana de acero ni paños, limpiadores o polvos abrasivos. Si necesita raspar una superficie de acero inoxidable para quitar materiales incrustados, primero remoje el área con toallas calientes para aflojar el material, y luego use una espátula o raspador de madera o nilón. **NO** use cuchillos, espátulas ni ninguna otra herramienta de metal para raspar la base de acero inoxidable. **NO** permita que los jugos cítricos o de tomate permanezcan mucho tiempo en las superficies de acero inoxidable, ya que el ácido cítrico que contienen decolorará permanentemente el acero inoxidable. Limpie inmediatamente cualquier derrame

Superficies de vidrio

Limpie con detergente y agua tibia. Puede usarse limpiavidrios para eliminar las huellas digitales. Si usa un limpiavidrios con amoníaco, fíjese en que no corra hacia abajo por la superficie exterior de la puerta.

Fuente y rejilla para asar

Límpielas con agua caliente y detergente. Para manchas difíciles, use una esponja de lana de acero bien enjabonada.

Rejillas del horno

Usar limpiador de horno en rejillas de horno cromadas o con recubrimiento puede causar decoloración permanente, picaduras, desprendimiento o pérdida del acabado protector. Esto puede afectar la capacidad de la rejilla para deslizarse suavemente y también puede acortar su vida útil. Evite el uso de químicos o limpiadores agresivos. Limpie las rejillas con detergente y agua caliente. Las manchas difíciles pueden frotarse con una esponja de lana de acero con jabón. Remojar las rejillas en una mezcla de partes iguales de bicarbonato de sodio y vinagre blanco también puede ser efectivo. Para secarlas completamente, séquelas primero con una toalla y luego colóquelas en el horno a baja temperatura durante 15–20 minutos.

⚠ ADVERTENCIA

NUNCA se papel de aluminio para cubrir las parrillas ni la parte inferior del horno. Si lo hace puede provocar un riesgo de descarga eléctrica, incendio o daño al electrodoméstico. Use el papel aluminio sólo como se indica en este manual.

Cambio de las bombillas del horno

⚠ ADVERTENCIA



RIESGO DE DESCARGAS ELÉCTRICAS

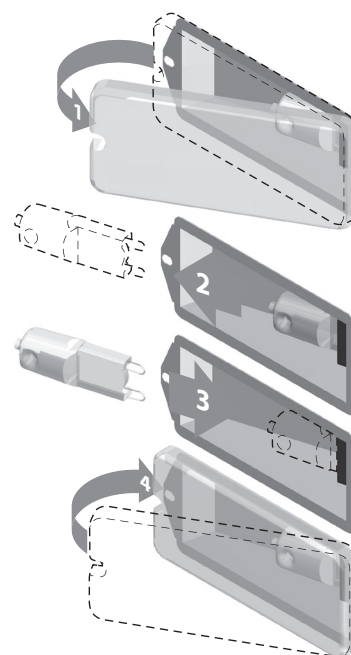
Desconecte el suministro eléctrico en el fusible principal o en el disyuntor antes de cambiar la bombilla.

⚠ ADVERTENCIA

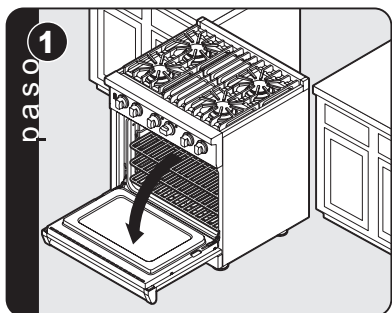
NO toque la bombilla con las manos desnudas. Limpie cualquier rastro de aceite de la bombilla y manéjela con un paño suave.

NO toque la bombilla con las manos desnudas. Limpie cualquier rastro de aceite de la bombilla y manéjela con un paño suave.

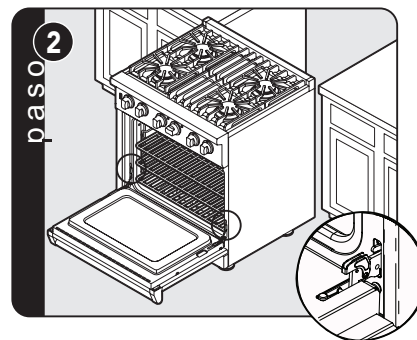
1. Libere la cubierta de vidrio de la cavidad de la bombilla usando un destornillador en la ranura de acceso.
2. Sujete firmemente la bombilla y jálala.
3. Reemplace la bombilla con una del mismo voltaje y vatios que se indican en la cubierta de vidrio.
4. Vuelva a colocar la cubierta de la cavidad de la bombilla encajándola dentro de la caja metálica.
5. Restablezca la energía en el fusible o el disyuntor principal



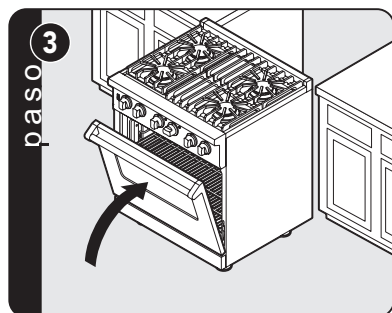
Remoción de la puerta



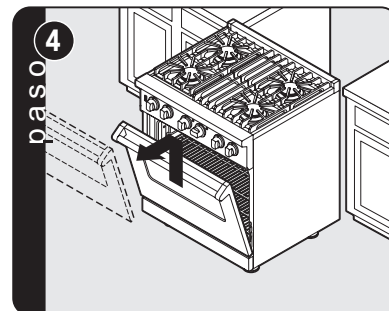
Abra la puerta completamente



Pliegue los pestillos hacia atrás hasta que queden fijos en su sitio.

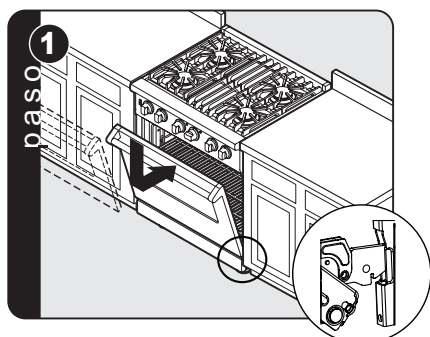


Cierre lentamente hasta que los pasadores detengan la puerta.

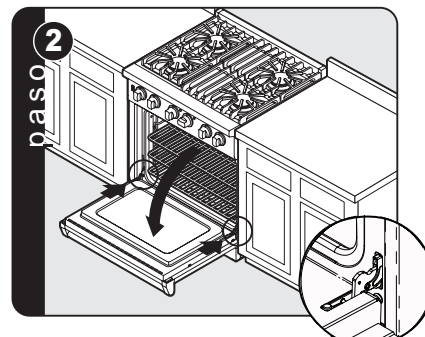


Levante la puerta hacia arriba y sáquela.

Colocación de la puerta

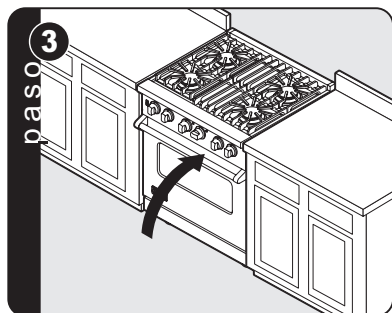


Realinee con cuidado la puerta en las bisagras. Deslícela hacia dentro y abajo.



Abra la puerta completamente.

Pliegue los pestillos hacia delante hasta que queden fijos en su sitio.



Cierre la puerta.

Solución de problemas

Posible problema	Causa y/o solución
La estufa no funciona.	La estufa no está conectada al suministro eléctrico: pida a un electricista que revise el disyuntor, el cableado y los fusibles.
El asador no funciona.	La perilla de control de la temperatura se giró excesivamente hasta después de la posición de asado.
La puerta no se abre.	El horno aún está en el modo de limpieza automática. Si el horno está caliente, el cierre de la puerta se liberará cuando alcance una temperatura segura.
La luz del horno no funciona.	La bombilla está fundida. La estufa no está conectada al suministro eléctrico.
Los dispositivos de ignición no funcionarán.	El circuito está disparado. Un fusible se fundió. La estufa no está conectada al suministro eléctrico.
Los dispositivos de ignición generan chispas pero no hay llama.	La válvula de suministro de gas se encuentra en la posición "OFF". Se interrumpió el suministro de gas.
Los dispositivos de ignición generan chispas continuamente después de generar la llama.	El suministro eléctrico no está conectado a tierra. La polaridad del suministro eléctrico está invertida. Los dispositivos de ignición están húmedos o sucios.
El quemador se enciende, pero la llama es grande, deforme o amarilla.	Los orificios del quemador están tapados. La unidad se está operando con el tipo de gas incorrecto. Las ventilas de aire no están adecuadamente ajustadas.

Información sobre el servicio

Si necesita servicio, llame a una agencia autorizada de servicio.

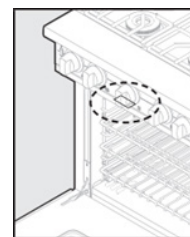
Tenga a la mano la siguiente información

- Número de modelo
- Número de serie
- Fecha de compra
- Nombre de la concesionaria donde hizo la compra

Describa claramente el problema que tiene. Si no puede obtener el nombre de una agencia de servicio autorizada, o si continúa teniendo problemas con el servicio, comuníquese con Viking Range, LLC al teléfono 1-888-845-4641 o escriba a

Viking Range, LLC
PREFERRED SERVICE
111 Front Street
Greenwood, Mississippi 38930 USA

Anote la información que se indica abajo. La necesitará si alguna vez requiere servicio. El número de modelo y el número de serie de su estufa se encuentran debajo del panel de control cuando abre la puerta. Una etiqueta duplicada se encuentra en el lado posterior de la estufa.



N.º de modelo. _____

N.º de serie. _____

Fecha de la compra _____

Fecha de la instalación _____

Nombre de la concesionaria _____

Dirección _____

Si el servicio requiere la instalación de piezas, use solamente piezas autorizadas para asegurar la protección de la garantía.

Conserve este manual para su referencia futura.

ESTA PÁGINA SE HA DEJADO
EN BLANCO INTENCIONALMENTE

ESTA PÁGINA SE HA DEJADO
EN BLANCO INTENCIONALMENTE

Viking Range, LLC
111 Front Street
Greenwood, Mississippi 38930 USA
(662) 455-1200

Si desea información sobre el producto
llame al teléfono 1-888-(845-4641, o visite
el sitio web vikingrange.com