

RM80F23VMR

SAMSUNG

Bespoke 23 cu. ft. Counter Depth 4-Door French Door Refrigerator with AI Hybrid Cooling & Beverage Center™ in Stainless Steel



Signature Features

AI Hybrid Cooling™

AI Hybrid Cooling keeps your food fresh longer while using less energy, thanks to its intelligent temperature control system.

Beverage Center™

Enjoy plenty of refreshingly cold and flavored water. The Beverage Center™ is inside the fridge, so it is less likely to get contaminated. As well as a water dispenser, it has a dishwasher-safe¹ and BPA-free² AutoFill Water Pitcher for purified water, which can be infused with fruits and herbs.

¹Tested for 125 cycles in accordance with the "Mechanical dishwashing resistance of utensils" test method (BS EN 12875-1:2005) and certified as dishwasher safe by SGS.

²Bisphenol A (BPA) is a chemical found in polycarbonate plastics and epoxy resins, which are often used in food and beverage containers, and has been linked with possible adverse health effects.

Dual Auto Ice Maker (Cubed Ice & Whisky Ball Ice)

Select from cubed ice or Whisky Ball Ice to chill your drinks faster.*

*Compared to cubed ice.

SmartThings AI Energy Mode

SmartThings Energy lets you monitor and manage your refrigerator's power usage. Reduce your energy use by up to 10%¹ with AI Energy mode,² all from your phone.³

¹Comparing factory setting temperature without AI Energy mode and with AI Energy Mode, which optimizes the compressor speed and defrost cycle based on usage pattern and conditions. Results may vary depending on the usage pattern and conditions.

²Available on compatible models from June 2023 through a Wi-Fi update through the SmartThings app on Android and iOS devices. A Wi-Fi connection and a Samsung account are required.

³Product images shown may not reflect the model or color selected.

Design

- Bespoke Design
- Beverage Center™
- Auto Open Door
- Slide-In Shelf
- LED Lighting
- Gallon Door Bin

Technology

- Wi-Fi Enabled
- UV Deodorizing Filter
- Multi-Pantry Mode
- Power Cool & Power Freeze
- Door Alarm
- Water Filter Indicator

Performance

- AI Hybrid Cooling™
- Dual Auto Ice Maker with Cubed Ice & Whisky Ball Ice
- AI Precise Cooling
- SmartThings Energy
- Metal Cooling



Rating



ENERGY STAR® rated:
510 kWh/yr

RM80F23VMR

SAMSUNG

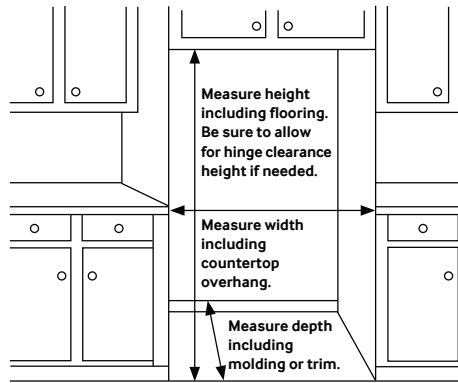
Bespoke 23 cu. ft. Counter Depth 4-Door French Door Refrigerator with AI Hybrid Cooling & Beverage Center™ in Stainless Steel

Installation Specifications

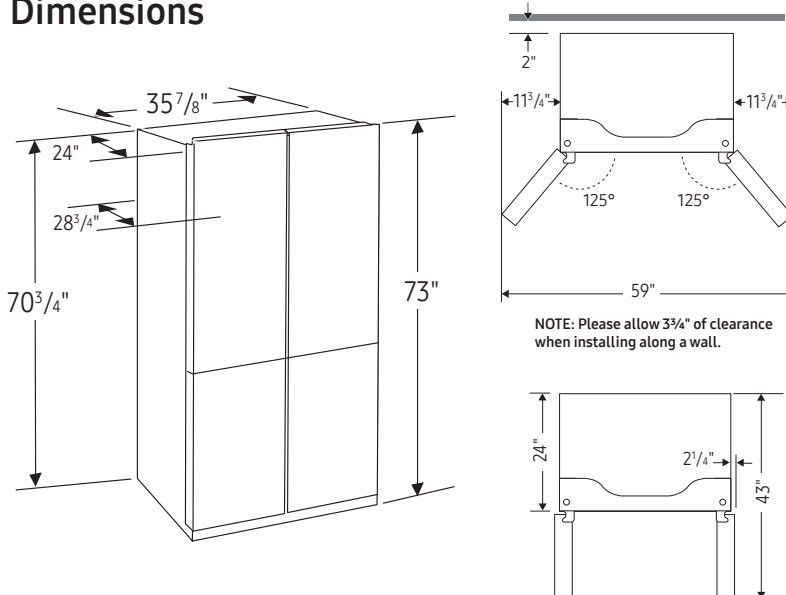
1. Measure the height, width and depth of the opening, making sure to include baseboards, molding tile, countertop overhang, etc. Check to be sure there is enough room to open the door (consider walls, islands or other obstacles when measuring).
2. Refer to illustrations below to determine dimensions.
3. Allow 3.75" of clearance on hinge side of refrigerator when installing next to a wall.
4. Allow 2" minimum clearance at rear for proper air circulation and water/electrical connections. Allow a 3/8" minimum clearance at sides and top for ease of installation.
5. Ensure each door and entryway in the home is wide enough for the refrigerator to be moved through easily.

For optimal usage and ability to open refrigerator doors completely, do not install next to a wall.

Please note: The following dimensions and cutout information is for planning purposes only. For complete installation details, consult manual packed with product or download manual online at samsung.com.



Dimensions



Total Capacity: 23.5 cu. ft.

Refrigerator: 14.5 cu. ft.

- 1 Slide-In Shelf, 3 Tempered Glass Spill-Proof Shelves
- 2 Clear Crisper Drawers
- 6 Door Bins with 1 Gallon Door Bin
- LED Lighting

Freezer: 9 cu. ft.

- Dual Ice Maker in Freezer (Cubed Ice or Whisky Ball Ice) 2 Ice Buckets with Cover and 1 Scoop
- 4 Slide-Out Shelves
- 6 Door Bins
- LED Lighting

Accessories

Water Filter: UV Deodorizing Filter

Warranty

One (1) Year Parts and Labor on Refrigerator
Five (5) Years Parts and Labor on Sealed Refrigeration System Only*
Ten (10) Years Parts and Five (5) Years Labor on Digital Inverter Compressor

*Compressor, evaporator, condenser, drier and connecting tubing.

Product Dimensions & Weight

Dimensions (WxHxD with hinges and doors):

$35\frac{7}{8}$ " x 73 " x $28\frac{3}{4}$ "

Dimensions (WxHxD without hinges and doors):

$35\frac{7}{8}$ " x $70\frac{3}{4}$ " x 24 "

Weight: 352.7 lbs

Shipping Dimensions & Weight (WxHxD)

Dimensions: $38\frac{1}{4}$ " x $78\frac{5}{8}$ " x $30\frac{5}{8}$ "

Weight: 372.6 lbs

Color

Fingerprint Resistant
Stainless Steel

Model

RM80F23VMR

UPC Code

887276990972