

PTD7000BN/FN/SN

GE Profile™ 30" Smart Built-In Convection Double Wall Oven with Air Fry and Precision Cooking

DIMENSIONS AND INSTALLATION INFORMATION (IN INCHES)

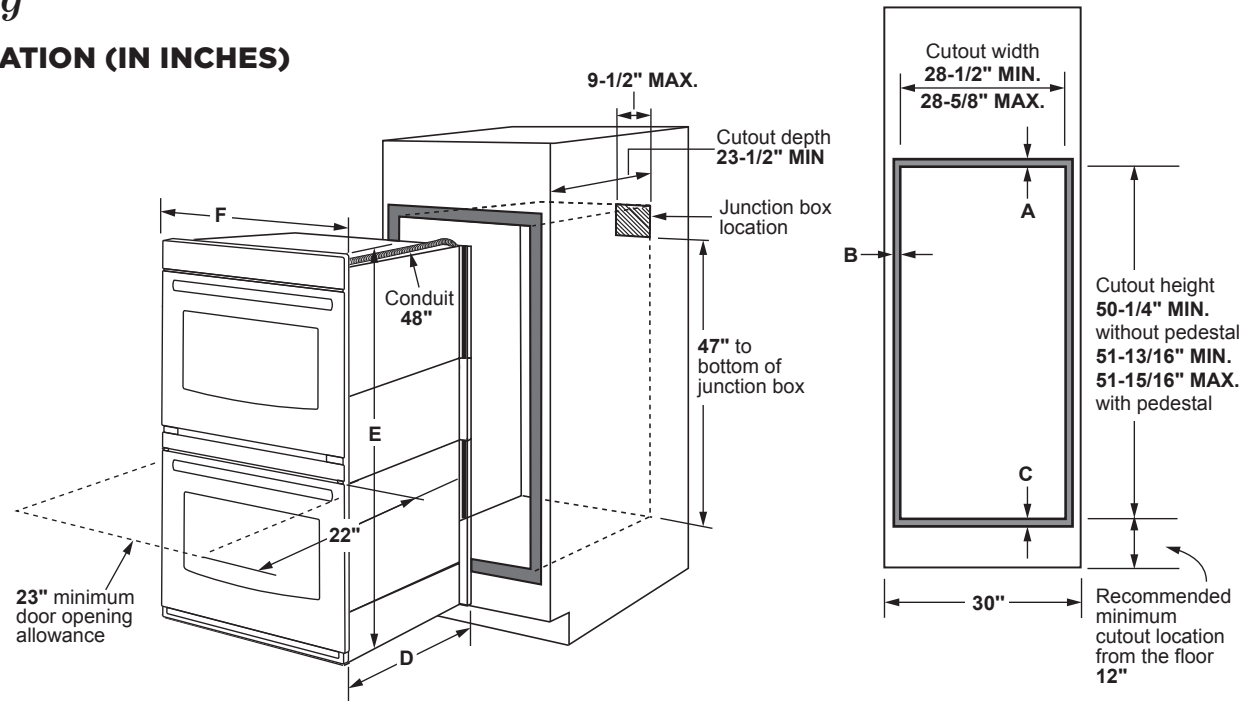
NOTE: Wall coverings, countertops and cabinets surrounding the wall oven must be able to withstand a temperature of up to 200°F (94°C).

NOTE: If the cabinet in which the wall oven is installed does not have a solid bottom, two braces or runners must be installed to support the weight of the oven. The runners and braces must support up to 400 lbs (181 kg).

NOTE: Door handle protrudes 3" from door face. Cabinets and drawers on adjacent 45° and 90° walls should be placed to avoid interference with the handle.

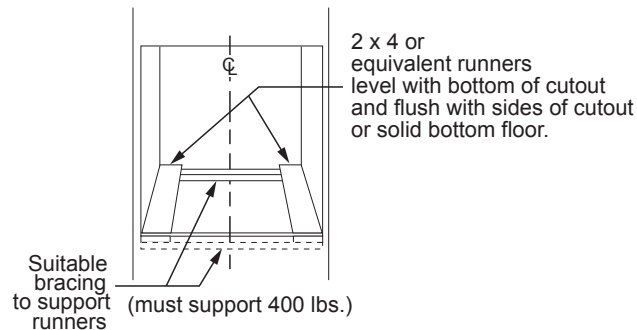
ATTENTION INSTALLER: Electric wall ovens are NOT approved for installation with a plug and receptacle. They must be hard wired into an approved junction box.

IMPORTANT: Before installing, consult installation instructions packed with product for current dimensional data.



Dimension and installation information are shown in inches.

KW RATING	
240V	8.7
208V	6.5
BREAKER SIZE	
240V	40 Amps
208V	40 Amps



PTD7000

Cabinet	30"
A - Overlap of oven at top of cutout	1"
B - Overlap of oven other side of edge of cutout	3/4"
C - Overlap of oven at bottom of cutout	1-1/4"
Oven	
D - Install depth	23-1/2"
E - Overall height with trim	53"
F - Overall width	29-3/4"



For answers to your GE Profile™ or GE Appliances product questions, visit our website at geappliances.com or call GE Answer Center® Service, 800.626.2000.



Listed by Underwriters Laboratories

PTD7000BN/FN/SN

GE Profile™ 30" Smart Built-In Convection Double Wall Oven with Air Fry and Precision Cooking

DIMENSIONS AND INSTALLATION INFORMATION (IN INCHES)

NOTE: 30" Double electric wall ovens are approved for installation above 27" and 30" warming drawers.

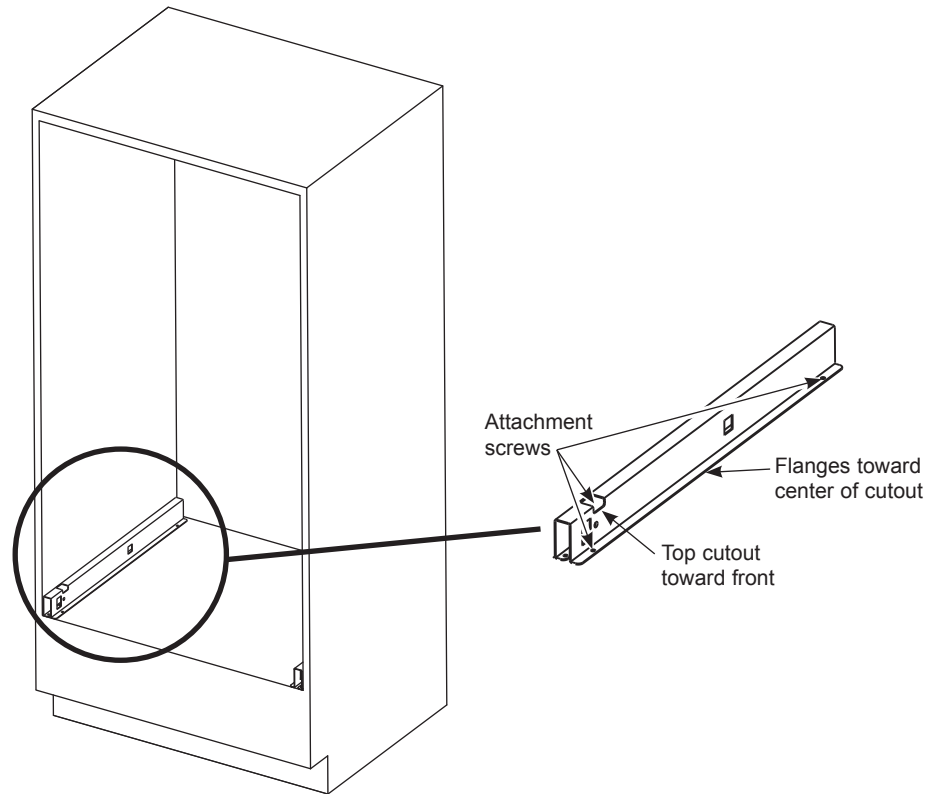
ATTENTION INSTALLER: Electric wall ovens are NOT approved for installation with a plug and receptacle. They must be hard wired into an approved junction box.

IMPORTANT: Before installing, consult installation instructions packed with ALL products for current dimensional and combination data.

WHEN TO USE THE PEDESTAL RAILS: When replacing an older GE Appliances 30" double wall oven with a new GE Appliances model. Cutout Height = 51-13/16" to 51-15/16". This is our traditional cutout height.

WHEN NOT TO USE THE PEDESTAL RAILS: When replacing a 30" double wall oven from another manufacturer (ie; Whirlpool) with a new GE Appliances model. Cutout height = 50-1/4". You will need to verify that the existing cutout matches the 50-1/4" dimension.

If the new GE Appliances 30" double wall oven is being installed into new construction (ie; not a replacement), then the recommended installation is to use the pedestal rails.



For answers to your GE Profile™ or GE Appliances product questions, visit our website at geappliances.com or call GE Answer Center® Service, 800.626.2000.

PTD7000BN/FN/SN

GE Profile™ 30" Smart Built-In Convection Double Wall Oven with Air Fry and Precision Cooking

FEATURES AND BENEFITS

No Preheat Air Fry – Integrated hot air frying technology gives you crispy results in your oven without using oil (upper oven).

Precision Cooking Modes* – Simplify the cooking process with precision cooking modes that automatically track progress, and make time and temperature adjustments (upper oven).

Built-In WiFi, Powered by SmarthQ App - Connect, control and manage your oven from anywhere with your smartphone or tablet

GE Profile Connect + – Ensure your oven always has the latest features, like new Air Fry modes, with downloadable software updates

Temperature Probe – A precision temperature probe connects to the oven to ensure your food is properly cooked.

True European Convection with Direct Air – This oven features True European Convection, an advanced convection system that uses a third heating element and reversing fan for the highest level of heat and air circulation.

Full-Color Display – Easily navigate wall oven settings thanks to a 7" touchscreen display.

No Preheat – Eliminate the need for preheating and save time with a variety of precision cooking modes.

Easy-Glide, Never-Scrub Rack – This smooth-gliding oven rack can be left in the oven during the self-clean cycle so you never have to scrub.

Self-Clean with Steam Clean – This self-cleaning oven uses optional steam cleaning for light soils to clean the oven cavity with less heat and odor.

10-pass hidden bake element – Even baking is assured with heat that covers more surface area

10-pass dual-broil element – Large and small dishes brown evenly with two, full-coverage elements

Double oven convection – Cook more dishes at once and achieve perfectly even results with convection technology in both ovens

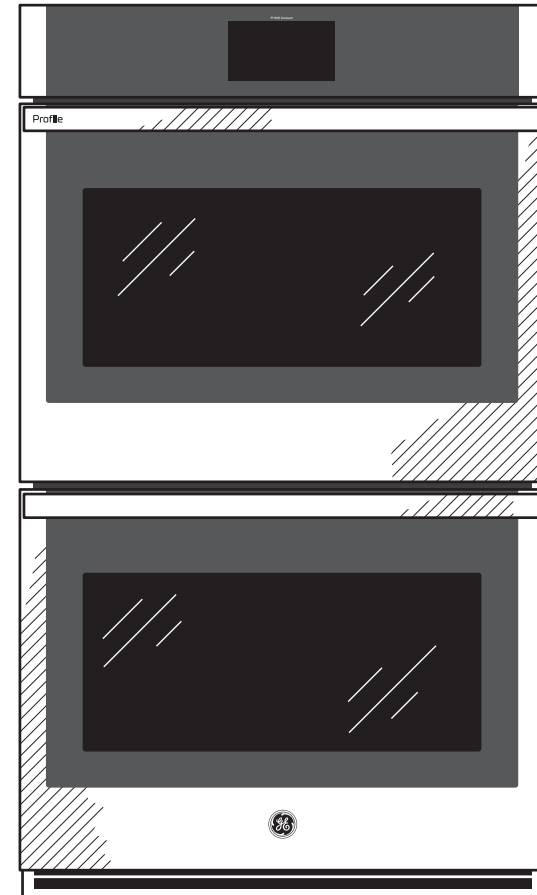
Fit Guarantee – This oven will fit your existing cut-out, or GE Appliances will help pay for modifications up to \$300.

Model PTD7000FNDS – Black Slate

Model PTD7000BNTS – Black Stainless

Model PTD7000SNSS – Stainless Steel

*Available once connected to WiFi.



FIT GUARANTEE

Replacing a similar wall oven from GE Appliances or another brand? GE wall ovens are guaranteed for an exact fit or GE Appliances will pay up to \$300 toward modifications.

Visit geappliances.com for more info

