















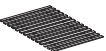
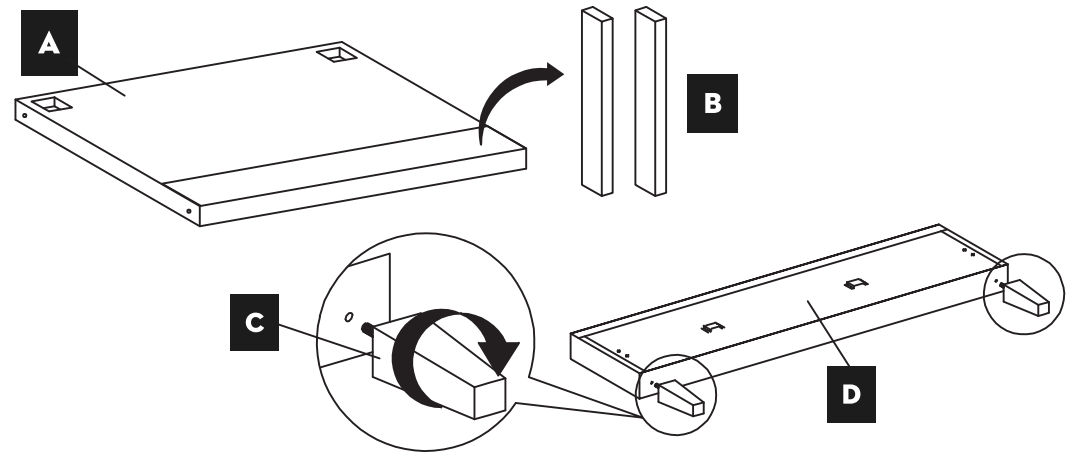


# MALOUF® | BLACKWELL UPHOLSTERED BED ASSEMBLY

<b>A</b>		Headboard	1 pc
<b>B</b>		Side Wings	2 pcs
<b>C</b>		Legs	2 pcs
<b>D</b>		Foot Rail	1 pc
<b>E</b>		Allen Key	1 pc
<b>F</b>		Long Bolts (M6x50mm)	4 pcs
<b>G</b>		Spring Washers	4 pcs
<b>H</b>		Flat Washers	12 pcs
<b>I</b>		Side Rails	2 pcs
<b>J</b>		Short Bolts (M6x30mm)	8 pcs
<b>K</b>		Leg Adjusters	2 pcs (Queen/Full) 4 pcs (Cal King/King)
<b>L</b>		Support Legs	2 pcs (Queen/Full) 4 pcs (Cal King/King)
<b>M</b>		Center Support Rail(s)	1 pc (Queen/Full) 2 pcs (Cal King/King)
<b>N</b>		Medium Bolts (M6x40mm)	2 pcs (Queen/Full) 4 pcs (Cal King/King)
<b>O</b>		Short Screws (M4x25mm)	2 pcs (Queen/Full) 4 pcs (Cal King/King)
<b>P</b>		Long Screws (M4x32mm)	35 pcs (Queen/Full) 38 pcs (Cal King/King)
<b>Q</b>		Slat Roll	1 pc

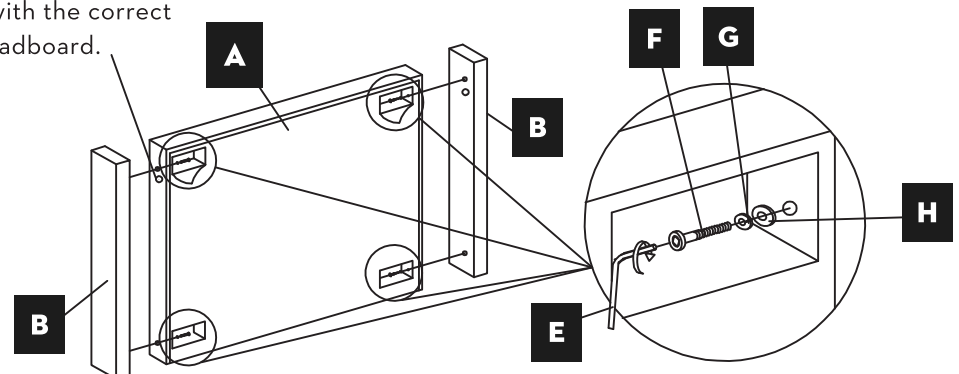
**TOOLS NEEDED:** Phillips Screwdriver 

**1** Remove side wings (B) from the compartment on the back of the headboard (A). Then tighten the legs (C) to the foot rail (D).

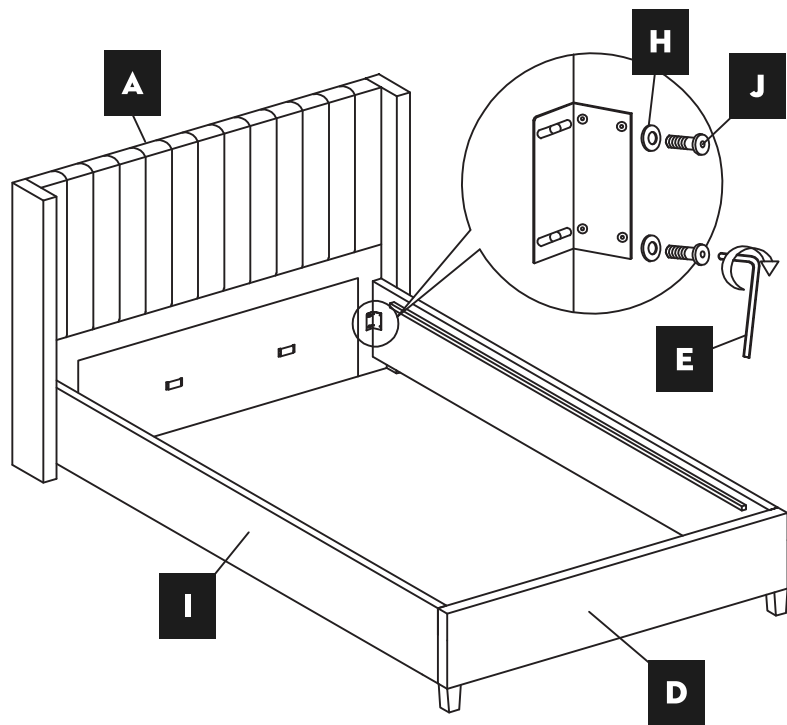


**2** Attach side wings (B) to the headboard (A) by tightening long bolts (F), spring washers (G), and flat washers (H) with Allen key (E).

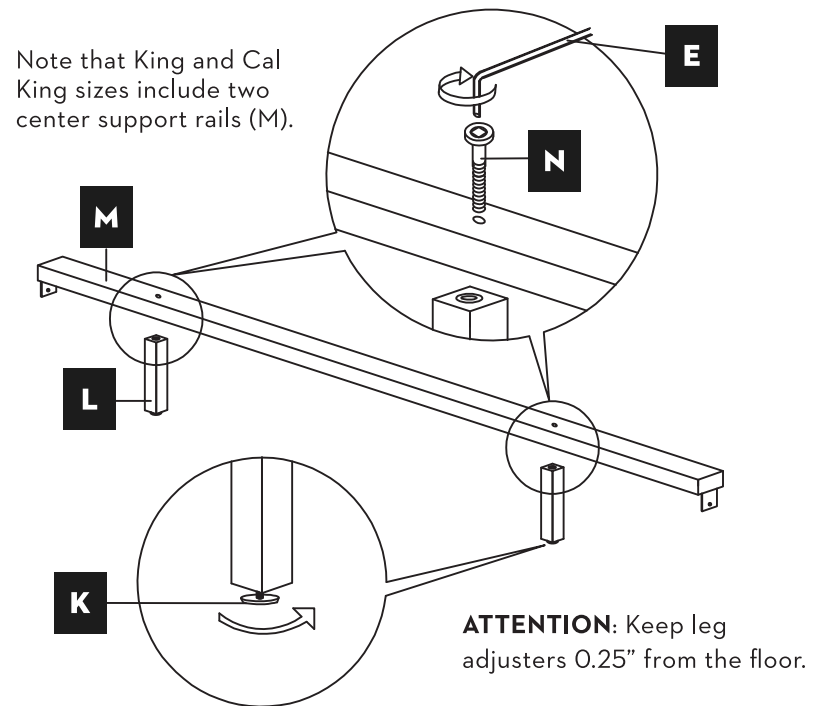
**ATTENTION:** Match the side wing with the correct label on headboard.



**3** Secure side rails (I) to the headboard (A) and foot rail (D) by tightening the short bolts (J) and flat washers (H) with Allen key (E).

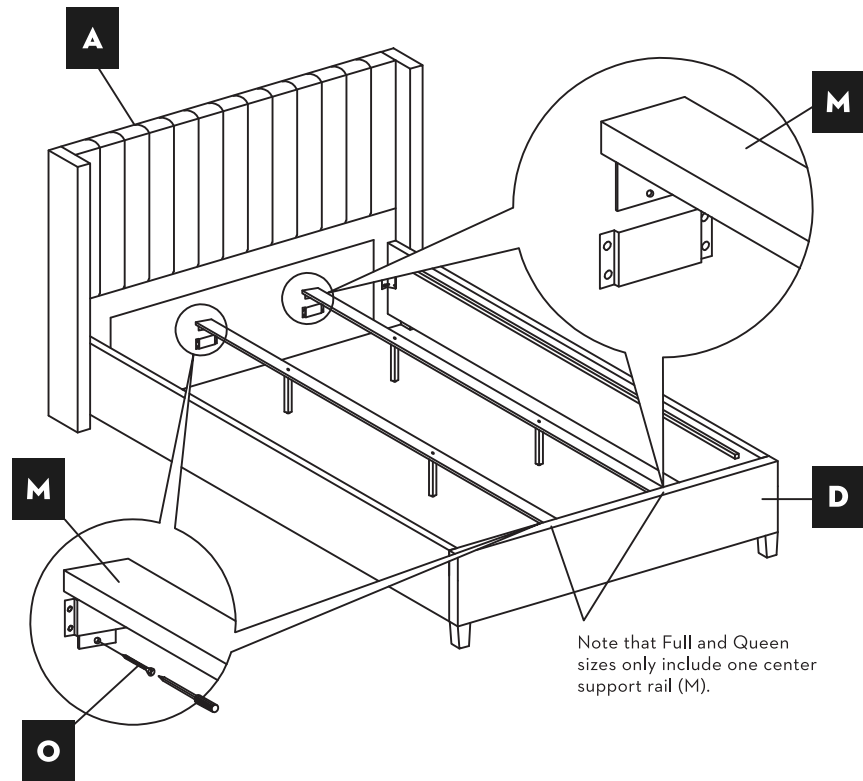


**4** Attach leg adjusters (K) to the support legs (L). Then secure the support legs (L) to the center support rail(s) (M) with medium bolts (N) and Allen key (E).



5

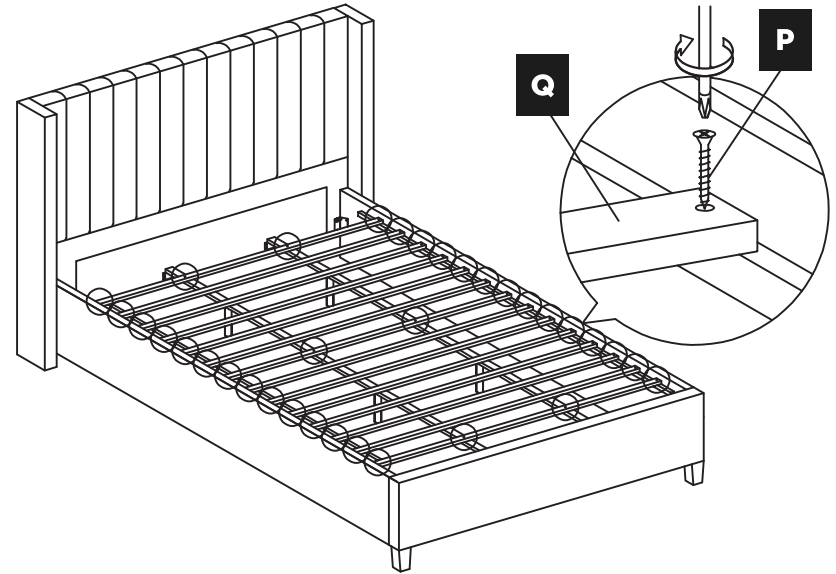
Slide center support rail(s) (M) into the headboard bracket (A) and foot rail bracket (D). Using a screwdriver, secure the center support rail(s) (M) by tightening the short screws (O) on the headboard (A) and foot rail (D).



Note that Full and Queen sizes only include one center support rail (M).

6

Using a screwdriver, tighten long screws (P) to secure the slat roll (Q) to the side rails (I) and center support rail(s) (M).



**M**

**MALOUFSLEEP.COM**

**CUSTOMERSERVICE@MALOUFSLEEP.COM**

**800-517-7179**

Failure to follow these warnings and assembly instructions could result in serious injury or death. Read all instructions before assembling the furniture. Keep the assembly instructions for future use. Before each usage or assembly, inspect the furniture for damaged hardware or missing parts. DO NOT use the furniture if any parts are missing or broken. If replacement parts and instructional literature are needed, contact the manufacturer. DO NOT substitute parts.

# 15-YEAR LIMITED WARRANTY

## WHAT IS COVERED

This warranty covers any defects in materials or workmanship, with the exceptions stated below.

## HOW LONG COVERAGE LASTS

This warranty runs for fifteen (15) years from the date of purchase.

## WHAT IS NOT COVERED

The warranty applies only to the original purchaser and does not cover: (a) wear and tear; (b) improper maintenance, misuse, or alteration; (c) repair by unauthorized representatives; (d) damage resulting from transit or handling; or (e) transportation costs.

*The foregoing warranty shall be exclusive and in lieu of any other warranty, express or implied, including warranties of merchantability and fitness for a particular purpose and all other warranties otherwise arising by operation of law, course of dealing, custom, trade, or otherwise. Neither the seller nor the manufacturer shall be liable for any injury, loss or damage, direct or consequential arising out of the use or inability to use this product.*

## WHAT MALOUF® WILL DO

MALOUF®, at its sole discretion, will repair, replace, or refund any product that proves to be defective in materials or workmanship.

## HOW TO GET SERVICE

E-mail “warranty@maloufsleep.com” to submit your warranty claim. Please keep your receipt so that we may process your warranty request.

## HOW STATE LAW APPLIES

This warranty gives you specific legal rights, and you may also have other rights which vary from state to state.