



BOSCH



Register your
appliance and join
the Bosch family of perks:
Enregistrez votre
appareil et profitez des
avantages Bosch :
registerbosch.com

Gas Free-standing Ranges

HGF1050MUC **HGF1050EUC**

[en-us] Use and Care Manual

Gas Free-standing Ranges

2

[fr-ca] Manuel d'utilisation

Cuisinières amovibles à gaz

36

Table of contents

1	IMPORTANT SAFETY INSTRUCTIONS	3	8.5	Normal behavior during operation	24
1.1	Safety definitions	4	8.6	Recommended cooking settings	24
1.2	General information	4	9	Cleaning and maintenance	24
1.3	Proper installation and maintenance	4	9.1	Cleaning agents	24
1.4	Safe use	5	9.2	Cooktop cleaning and maintenance	25
1.5	Child safety	7	9.3	Oven cleaning and maintenance	26
1.6	Gas safety	8	9.4	Removing the storage drawer	30
1.7	Food safety	8	10	Troubleshooting	30
1.8	Cleaning function	8	10.1	Oven troubleshooting	30
1.9	Conversion to Liquefied Petroleum gas	9	11	Disposal	32
1.10	High altitude installation	9	11.1	Disposal of your old appliance	32
1.11	State of California Proposition 65 Warnings	9	12	Customer Service	32
2	Preventing material damage	10	12.1	Model number (E-Nr.) and production number (FD)	33
2.1	Preventing oven cavity damage	10	12.2	Rating plate location	33
2.2	Preventing cooktop damage	10	12.3	Product registration	33
3	Environmental protection and energy-saving	10	13	STATEMENT OF LIMITED PRODUCT WARRANTY	33
3.1	Disposal of packaging	10	13.1	What this warranty covers & Who it applies to	33
3.2	Saving energy when using the oven	10	13.2	How long the warranty lasts	33
3.3	Saving energy when using the cooktop	11	13.3	Repair/replace as your exclusive remedy	33
4	Familiarizing yourself with your appliance	11	13.4	Out of warranty product	34
4.1	Appliance	11	13.5	Warranty exclusions	34
4.2	Oven control panel	14	13.6	Obtaining warranty service	35
4.3	Cooktop control panel	14	13.7	Product information	35
5	Accessories	15			
5.1	Other accessories	15			
5.2	Rack positions	15			
5.3	Safe use of oven racks	16			
5.4	Inserting the wire rack	16			
6	Before using for the first time	16			
6.1	Read the safety instructions	16			
6.2	Unpacking appliance	16			
6.3	Registering your appliance	16			
6.4	Cleaning the appliance before using it for the first time	16			
6.5	Initial use	17			
6.6	Burner cap placement	17			
6.7	Flame characteristics	17			
7	Oven operation	17			
7.1	Oven heating modes and functions	18			
7.2	Setting the heating mode and temperature	19			
7.3	Turning the oven off	19			
7.4	Fast preheat	19			
7.5	Turning the panel lock on or off	19			
7.6	Kitchen timer	19			
7.7	Oven timer	19			
7.8	Delay start	19			
7.9	Sabbath mode	19			
7.10	Basic settings	20			
7.11	General tips for heating modes	21			
7.12	Getting the best results	22			
8	Cooktop operation	23			
8.1	Cookware	23			
8.2	Turning on a burner	23			
8.3	Manually igniting a burner	24			
8.4	Turning off a burner	24			



IMPORTANT SAFETY INSTRUCTIONS

READ AND SAVE THESE INSTRUCTIONS

Read all of the instructions carefully before using the appliance. In order to reduce the risk of fire, electric shocks and personal injuries when using the appliance, follow the basic safety precautions, including the following safety instructions.

⚠ WARNING: If the information in these instructions is not followed exactly, a fire or explosion can result causing property damage, personal injury or death.

- Do not store or use gasoline or other flammable vapors and liquids in the vicinity of this or any other appliance.
- **WHAT TO DO IF YOU SMELL GAS**
 - Do not try to light any appliance.
 - Do not touch any electrical switch.
 - Do not use any phone in your building.
 - Immediately call your gas supplier from a neighbor's phone. Follow the gas supplier's instructions.
 - If you cannot reach your gas supplier, call the fire department.
- Installation and service must be performed by a qualified installer, service agency or the gas supplier.

⚠ WARNING:

Never Operate the Top Surface Cooking Section of this Appliance Unattended.

- Failure to follow this warning statement could result in fire, explosion, or burn hazard that could cause property damage, personal injury, or death.
- If a fire should occur, keep away from the appliance and immediately call your fire department.

**DO NOT ATTEMPT TO EXTINGUISH
AN OIL/GREASE FIRE WITH WATER.**



IMPORTANT SAFETY INSTRUCTIONS

READ AND SAVE THESE INSTRUCTIONS

1.1 Safety definitions

Here you can find explanations of the safety signal words used in this manual.

⚠ WARNING

This indicates that death or serious injuries may occur as a result of non-observance of this warning.

⚠ CAUTION

This indicates that minor or moderate injuries may occur as a result of non-observance of this warning.

NOTICE

This indicates that damage to the appliance or property may occur as a result of non-compliance with this advisory.

Note: This alerts you to important information.

1.2 General information

Here you can find general information about this manual.

- Please read this manual carefully.
- Observe the safety instructions and warnings.
- Keep the manual and the product information in a safe place for future reference or for the next owner.
- Check the appliance for damage after unpacking it. Do not connect the appliance if it has been damaged in transit.

All product manuals may be downloaded online at www.bosch-home.com/us/owner-support/owner-manuals.

1.3 Proper installation and maintenance

See the Installation Instructions for electrical requirements, grounding instructions and clearance to combustible material requirements.

WARNING

RISK OF TIPPING ON RANGES



- ▶ All ranges can tip and injury can result. To prevent accidental tipping of the range, attach it to the floor, wall, or cabinet by installing the anti-tip bracket supplied.
- ▶ A child or adult can tip the range over and be killed or seriously injured. Verify that the anti-tip bracket is securely installed. Ensure the anti-tip bracket is engaged when the range is moved.
- ▶ **DO NOT** operate the range without the anti-tip bracket in place. Failure to follow the instructions in this manual can result in death or serious burns to children and adults.
- ▶ If the range is moved for cleaning, service, or any other reason, ensure that the anti-tip bracket is properly reengaged when the range is pushed back into place. In the event of abnormal usage (such as a per-

son standing, sitting, or leaning on an open door), failure to take this precaution can result in tipping of the range. Personal injury might result from spilled hot liquids or from the range itself.

- ▶ Check for proper installation and use of anti-tip bracket. Carefully tip range forward pulling from the back to ensure that the anti-tip bracket engages the range and prevents tip-over. Range should not move more than 1" (2.5 cm).

WARNING

In the event of a malfunction, it might become necessary to turn off the power supply.

- ▶ Have the installer show you the circuit breaker or fuse. Mark it for easy reference.

To avoid electrical shock hazard, before servicing the appliance, turn power off at the service panel and lock the panel to prevent the power from being switched on accidentally.

Proper Installation - Improper installation or grounding can cause electric shock.

- ▶ This appliance must be properly installed and grounded by a qualified technician.
- ▶ Connect only to properly grounded outlet.
- ▶ Refer to installation instructions for details.

User Servicing - Do not repair or replace any part of the appliance unless specifically recommended in this manual.

- ▶ All other servicing should be referred to an authorized service provider.

Light socket is live when door is open if main power supply is not turned off.

- ▶ Turn off main power supply at the service panel before changing the light bulbs.

WARNING

Make sure the appliance and lights are cool and power to the appliance has been turned off before replacing the light bulb(s).

Failure to do so could result in electrical shock or burns.

- ▶ The lenses must be in place when using the appliance.
 - ▶ The lenses serve to protect the light bulb from breaking.
 - ▶ The lenses are made of glass. Handle carefully to avoid breaking. Broken glass can cause an injury.
- Failure to follow these instructions when removing the oven door may lead to personal injury or product damage.
- ▶ Make sure oven is cool and power to the oven has been turned off before removing the door. Failure to do so could result in electrical shock or burns.
 - ▶ The oven door is heavy and parts of it are fragile. Use both hands to remove the oven door.
 - ▶ The door front is glass. Handle it carefully to avoid breakage.
 - ▶ Grasp only the side of the oven door. Do not grasp the handle. It may swing in your hand and cause damage or injury. Failure to grasp the oven door firmly and properly could result in personal injury or product damage.



IMPORTANT SAFETY INSTRUCTIONS

READ AND SAVE THESE INSTRUCTIONS

- ▶ To avoid injury from hinge bracket snapping closed, be sure both levers are securely locked in place before removing the door.
- ▶ Do not force the door open or closed to avoid damaging the hinge and risking injury.
- ▶ Do not place the removed door on sharp or pointed surfaces or objects to avoid breaking the glass or damaging the door. Lay on a flat, smooth surface where it is securely positioned to prevent it from moving or falling.

WARNING

Grease and fat can ignite when heated.

- ▶ Keep the oven free from grease build up.

WARNING

Malfunctions can cause injuries.

- ▶ Do not operate this appliance if it is not working properly, or if it has been damaged. Contact an authorized service provider.

1.4 Safe use

WARNING

When properly cared for, your new appliance has been designed to be safe and reliable.

- ▶ Read all instructions carefully before use. These precautions will reduce the risk of burns, electric shock, fire, and injury to persons.
- ▶ When using kitchen appliances, basic safety precautions must be followed, including those in the following pages.

WARNING

Cooking with gas can release small amounts of certain by-products, such as carbon monoxide, benzene, formaldehyde, nitrogen oxides (including nitrogen dioxide), and particulate matter / soot. To minimize exposure to these substances:

- ▶ Always ensure proper ventilation by using an appropriate ventilation fan or hood vented to the outside and/or an open window.
- ▶ Always operate the unit according to the instructions in this manual.
- ▶ If applicable, the burners should be verified by a certified installer or agency to ensure proper combustion.

WARNING

Overheated materials can cause fire or burns and may produce potentially harmful smoke or fumes.

- ▶ To prevent overheating, turn ventilation hood ON when heating grease, fats or frying using medium to high heat settings.
- ▶ Avoid heating empty pots and pans.
- ▶ Do not allow pans to boil dry.
- ▶ Do not allow aluminum foil, plastic, paper, or cloth to come in contact with a hot surface element, burner, or grate.

WARNING

To avoid risk of fire, do not leave the cooktop unattended while in use. Unattended cooking can lead to fire hazards, property damage, and injury. Always supervise cooking, especially when using high heat with oils and

fats. Boilovers may cause smoking and greasy spillovers may ignite.

WARNING

Set the burner control so that the flame does not extend beyond the bottom of the pan.

Take care that drafts like those from fans or forced air vents do not push the flames so that they extend beyond the edges of the pan.

During a power failure, only the cooktop burners can be lit manually.

If materials inside an oven or warming drawer should ignite, keep door closed.

- ▶ Turn off the appliance and disconnect the circuit at the circuit breaker box.

A fire could occur during cooking.

- ▶ Always have a working smoke detector near the kitchen.
- ▶ Have an appropriate fire extinguisher available, nearby, highly visible and easily accessible near the appliance.

NEVER cover any slots, holes or passages in the oven bottom or cover an entire rack with materials such as aluminum foil.

- ▶ Doing so blocks air flow through the oven and may cause carbon monoxide poisoning.
- ▶ Aluminum foil linings may also trap heat, causing a fire hazard.

If the cooktop is near a window, forced air vent or fan, be certain that flammable materials such as window coverings do not blow over or near the burners or heating elements. They could catch on fire.

Cooking fires can spread if extinguished incorrectly.

- ▶ Never use water on cooking fires.

WARNING

TO REDUCE THE RISK OF A RANGE TOP GREASE FIRE

- ▶ Never Leave Surface Units Unattended at High Settings - Boilovers cause smoking and greasy spillovers that may ignite. Heat oils slowly on low or medium settings.
- ▶ Always turn hood ON when cooking at high heat or when flambeing food (i.e. Crepes Suzette, Cherries Jubilee, Peppercorn Beef Flambe').
- ▶ Clean ventilating fans frequently. Grease should not be allowed to accumulate on fan or filter.
- ▶ Use proper pan size. Always use cookware appropriate for the size of the surface element.

WARNING

Flames can be drawn into the ventilation system.

- ▶ Whenever possible, do not operate the ventilation system during a cooktop fire. However, do not reach through fire to turn it off.

Cookware Handles Should be Turned Inward and Not Extend Over Adjacent Surface Units.

- ▶ To reduce the risk of burns, ignition of flammable materials, and spillage due to unintentional contact with the cookware, the handle of a cookware should be positioned so that it is turned inward, and does not extend over adjacent surface units.



IMPORTANT SAFETY INSTRUCTIONS

READ AND SAVE THESE INSTRUCTIONS

Wear Proper Apparel.

Loose-fitting or hanging garments, such as ties, scarves, jewelry, or dangling sleeves, should never be worn while using the appliance.

- ▶ Tie long hair so that it does not hang loose.
 - ▶ Secure all loose garments, etc. before beginning.
- Use Proper Pan Size - This appliance is equipped with one or more surface units of different sizes.
- ▶ Select cookware having flat bottoms large enough to cover the surface unit burner.
 - ▶ The use of undersized cookware will expose a portion of the burner to direct contact and may result in ignition of clothing. Proper relationship of cookware to burner will also improve efficiency.

To avoid risk of fire do not store items on the cooking surfaces.

In the event that personal clothing or hair catches fire, drop and roll immediately to extinguish flames.

Do Not Use Water on Grease Fires.

- ▶ Smother fire or flame or use dry chemical or foam-type extinguisher.

Adjust burner flame size so that it does not extend beyond the edge of the cookware. Proper relationship of cookware to burner flame reduces safety risks.

CAUTION

The oven vents are important for air circulation. Covering the oven vents will cause the oven to overheat. Refer to the appliance overview for the location of the oven vents.

→ "Appliance", Page 11

- ▶ Do not obstruct oven vents.

WARNING

Use Only Dry Potholders - Moist or damp potholders on hot surfaces may result in burns from steam.

- ▶ Do not let potholders touch hot heating elements.
- ▶ Do not use a towel or other bulky cloth.

Hot oil is capable of causing extreme burns and injury.

- ▶ Use high heat settings on the cooktop only when necessary.
- ▶ To avoid bubbling and splattering, heat oil slowly on no more than a low-medium setting.
- ▶ Never move a pan of hot oil, especially a deep fat fryer. Wait until it is cool.

Spills of hot food may cause burns.

- ▶ Hold the handle of the pan when stirring or turning food. This helps prevent spills and movement of the pan.

DO NOT TOUCH SURFACE UNITS OR AREAS NEAR UNITS. Surface units may be hot even though they are dark in color. Areas near surface units may become hot enough to cause burns.

- ▶ During and after use, do not touch, or let clothing, potholders, or other flammable materials contact surface units or areas near units until they have had sufficient time to cool. Among these areas are the cooktop and areas facing the cooktop.

DO NOT TOUCH HEATING ELEMENTS OR INTERIOR SURFACES OF OVEN - Heating elements may be hot

even though they are dark in color. Interior surfaces of an oven become hot enough to cause burns.

- ▶ During and after use, do not touch, or let clothing, potholders, or other flammable materials contact heating elements or interior surfaces of oven until they have had sufficient time to cool. Other surfaces of the appliance may become hot enough to cause burns. Among these surfaces are oven vent openings, surfaces near these openings and oven doors.
- Use Care When Opening Door - Let hot air or steam escape before removing or replacing food.
- ▶ Standing to the side, open the door (or drawer) slowly and slightly to let hot air and/or steam escape.
 - ▶ Keep your face clear of the opening and make sure there are no children or pets near the appliance.
 - ▶ After the release of hot air and/or steam, proceed with your cooking.
 - ▶ Keep doors shut unless necessary for cooking or cleaning purposes.

- ▶ Do not leave open doors unattended.

Clean Cooktop With Caution.

- ▶ If a wet sponge or cloth is used to wipe spills on a hot cooking area, be careful to avoid steam burn.
 - ▶ Some cleaners can produce noxious fumes if applied to a hot surface.
 - ▶ Do not clean the appliance while it is still hot.
- After a spill or boilover, turn off the burner and allow the cooktop to cool.
- ▶ Clean around the burner and burner ports.
 - ▶ After cleaning, check for proper operation.
- Inspect your cookware for damage or excessive wear before using it.

CAUTION

Use caution when cooking foods with high alcohol content (e.g. rum, brandy, bourbon) in the oven. Alcohol evaporates at high temperatures. There is a risk of burning as the alcohol vapors may catch fire in the oven.

- ▶ Use only small quantities of alcohol in foods, and open the oven door carefully.

Placement of Oven Racks - Always place oven racks in desired location while oven is cool. If the rack must be moved while the oven is hot, do not let potholders contact the hot heating elements in the oven. Use caution when removing oven racks from the lowest rack position to avoid contact with the hot oven door.

WARNING

Avoid reaching or leaning over the appliance.

- ▶ Be aware that certain clothing and hair sprays may contain flammable chemicals that could be ignited if brought in to contact with hot surface units or heating elements and may cause severe burns.

WARNING

Storage in or on Appliance - The use of corrosive chemicals in heating or cleaning will damage the appliance and could result in injury.

- ▶ Flammable materials, corrosive chemicals, vapors or non-food products should not be stored or used in an oven or on or near surface units.
- ▶ The appliance is specifically designed for use when heating or cooking food.



IMPORTANT SAFETY INSTRUCTIONS

READ AND SAVE THESE INSTRUCTIONS

This appliance is intended for normal family household use only. It is not approved for outdoor use. See the Statement of Limited Product Warranty. If you have any questions, contact the manufacturer.

WARNING

Using this appliance other than for its intended use can cause fire or injury to persons.

- ▶ Use this appliance only for its intended use as described in this manual.
- ▶ NEVER use your appliances as a space heater for warming or heating the room. Doing so may result in overheating the appliance.
- ▶ Never use the appliance for storage.

WARNING

TO REDUCE THE RISK OF INJURY TO PERSONS IN THE EVENT OF A RANGE TOP GREASE FIRE, OBSERVE THE FOLLOWING.

- ▶ SMOTHER FLAMES with a close-fitting lid, cookie sheet, or metal tray, then turn off the burner. BE CAREFUL TO PREVENT BURNS. If the flames do not go out immediately, EVACUATE AND CALL THE FIRE DEPARTMENT.
- ▶ NEVER PICK UP A FLAMING PAN – You may be burned.
- ▶ DO NOT USE WATER, including wet dishcloths or towels – a violent steam explosion will result.
- ▶ Use an extinguisher ONLY if:
 - You know you have a Class ABC extinguisher, and you already know how to operate it.
 - The fire is small and contained in the area where it started.
 - The fire department is being called.
 - You can fight the fire with your back to an exit.

WARNING

Do not heat or warm unopened food containers.

Build-up of pressure may cause the container to burst and cause injury.

Failure to operate knobs properly may result in personal injury and damage to the appliance.

Glazed Cooking Utensils - Only certain types of glass, glass/ceramic, ceramic, earthenware, or other glazed utensils are suitable for cooktop or range-top service without breaking due to the sudden change in temperature.

Cooking or roasting bags might explode.

- ▶ Follow the manufacturer's directions when using cooking or roasting bags.

CAUTION

To avoid possible injury or damage to the appliance, ensure oven rack is installed exactly per installation instructions and not backwards or upside down.

Do not place anything on the oven cavity bottom. Do not cover it with aluminum foil. A build-up of heat could damage the appliance or cause injury.

WARNING

Moisture intrusion may cause an electric shock.

- ▶ Do not use any steam cleaners or high-pressure cleaners to clean the appliance.

To avoid risk of injury from a damaged appliance or power cord, observe the following.

- ▶ Do not turn the power on if the appliance or the power cord is damaged. Doing so may cause injury.
- ▶ Never operate a damaged appliance.
- ▶ If the appliance or the power cord is damaged, immediately unplug the power cord or switch off the breaker in the circuit breaker box and turn off the gas supply.
- ▶ Call Customer Service. → *Page 32*
- ▶ Repairs to the appliance should only be performed by an authorized service provider.

WARNING

Scratched glass in the appliance door may develop into a crack.

- ▶ Do not use any harsh or abrasive cleaners or sharp metal scrapers to clean the glass on the oven door, as they may scratch the surface.

WARNING

To avoid food contamination, fire, or personal injury:

- ▶ Do not place food directly on the burner grates.
- ▶ Use only cookware that is suitable for gas cooktops and is stable on the grates.
- ▶ Always monitor cooking to prevent boil-over, spillage, or flame contact with food.

CAUTION

To reduce the risk of contamination and damage:

- ▶ Always clean baking trays and wire racks before placing food on them.
- ▶ Inspect accessories for surface damage prior to use.

1.5 Child safety

This appliance is not intended for use by persons (including children) with reduced physical, sensory or mental capabilities, or lack of experience and knowledge, unless they have been given supervision or instruction concerning use of the appliance by a person responsible for their safety.

When children become old enough to use the appliance, it is the responsibility of the parents or legal guardians to ensure that they are instructed in safe practices by qualified persons.

Children should be supervised to ensure that they do not play with the appliance.

WARNING

Do not allow children to use this appliance unless closely supervised by an adult.

- ▶ Children and pets should not be left alone or unattended in the area where the appliance is in use. They should never be allowed to play in its vicinity, whether or not the appliance is in use.

Do not allow anyone to climb, stand, lean, sit, or hang on any part of an appliance, especially a door, warming drawer, or storage drawer.

- ▶ This can damage the appliance, and the unit may tip over, potentially causing severe injury.



IMPORTANT SAFETY INSTRUCTIONS

READ AND SAVE THESE INSTRUCTIONS

CAUTION

Do not store items of interest to children in cabinets above a range or on the backguard of a range. Children climbing on the range to reach items could be seriously injured.

Do Not Leave Children Alone.

- ▶ Children should not be left alone or unattended in the area where the appliance is in use.
- ▶ They should never be allowed to sit or stand on any part of the appliance.
- ▶ Always check inside the oven before turning it on.

WARNING

To avoid the risk of suffocation:

- ▶ Do not allow children to play with packaging material.
- ▶ Store small parts safely as they can be a choke hazard.

1.6 Gas safety

WARNING

To prevent carbon monoxide build-up, do not block appliance air vents.

WARNING

Have the installer show you where the gas shut-off valve is located.

If a burner goes out and gas escapes, open windows and doors. Wait until gas dissipates before using the appliance.

If you smell gas, your installer has not done a proper job of checking for leaks. If the connections are not perfectly tight, you can have a small leak and, therefore, a faint smell. If you smell gas, immediately shut off the unit and contact an authorized service provider to diagnose the issue. Read the WARNING about gas smell.

→ Page 3

WARNING

Keep the igniter ports clean for proper lighting performance of the burners. It is necessary to clean these when there is a boilover or when the burner does not light even though the electronic igniters click. For proper burner performance, keep igniters clean and dry.

CAUTION

All igniters spark when any single burner is turned on.

- ▶ Do not touch any of the burners when the cooktop is in use.

WARNING

To prevent flare-ups all grates must be properly positioned on the cooktop whenever the cooktop is in use. Each of the feet must be placed into the corresponding dimples in the cooktop.

- ▶ Do not use a grate if the rubber feet are missing or damaged.

To prevent flare-ups do not use the cooktop without all burner caps and all burner grates properly positioned.

WARNING

Use this appliance only for its intended use as described in this manual.

- ▶ NEVER use this appliance as a space heater to heat or warm the room. Doing so may result in carbon monoxide poisoning and overheating the appliance.
- ▶ Never use the appliance for storage.

1.7 Food safety

CAUTION

To maintain food safety, follow these guidelines

- ▶ DO NOT use the **keep warm** mode to heat cold food. It is safe to use the **keep warm** mode to crisp crackers, chips or dry cereal and to warm plates.
- ▶ Be sure to maintain proper food temperature. The USDA recommends holding hot food at 140°F or warmer.
- ▶ DO NOT leave food in the oven for more than one hour before or after cooking.
- ▶ Plastic containers, plastic wrap or aluminum foil can melt if in direct contact with the oven cavity surface or a hot cooking container. If it melts onto the oven cavity surface, it may not be removable.

1.8 Cleaning function

Follow these safety instructions when using the cleaning function.

WARNING

Do not block the oven vent(s) during the self-cleaning cycle. Doing so may cause injury or damage to the appliance.

WARNING

During the elimination of soil during self-cleaning, small amounts of carbon monoxide can be created and the fiberglass insulation could give off very small amounts of formaldehyde during the first several cleaning cycles.

- ▶ To minimize exposure to these substances, provide good ventilation with an open window, or use a ventilation fan or hood.

The oven heats up to a very high temperature during self cleaning. Opening the door can result in injury.

- ▶ When self-cleaning, confirm that the door locks and will not open.
- ▶ If the door does not lock, do not run Self Clean. Contact Customer Service.

WARNING

The outside of the appliance gets very hot when the cleaning function is in progress.

- ▶ Never touch the appliance door.
- ▶ Allow the appliance to cool down.
- ▶ Keep children at a safe distance.

WARNING

Do not leave food or cooking utensils, etc., in an oven during the pyrolytic self-cleaning mode of operation.

CAUTION

Remove broiler pans, pots, and other utensils and excess spillage before self-cleaning.



IMPORTANT SAFETY INSTRUCTIONS

READ AND SAVE THESE INSTRUCTIONS

CAUTION

Birds have very sensitive respiratory systems.

- ▶ Keep pet birds out of the kitchen or other rooms where kitchen fumes could reach them.
- ▶ During self clean, fumes are released that may be harmful to birds.

WARNING

Do not clean the door gasket – The door gasket is essential for a good seal. Care should be taken not to rub, damage, or move the gasket.

WARNING

Do not use a protective coating to line the oven and do not use commercial oven cleaner.

Clean only parts listed in this manual.

Please note that some pets or humans can be sensitive to the odors created during the self-cleaning process whether it is a manufacturing residue burn off or food. It is recommended that those potentially affected be removed from the kitchen area during the self-clean process.

1.9 Conversion to Liquefied Petroleum gas

WARNING

Personal injury or death from electrical shock may occur, if the range is not installed by a qualified installer or electrician.

Any additions, changes, or conversions required in order for this appliance to satisfactorily meet the application needs must be made by a qualified technician.

Your gas range model is designed to allow for LP conversion by a qualified service technician.

- ▶ Before installing the kit, be sure to follow the LP Installation Instructions carefully.

1.10 High altitude installation

Appliance nominal powers are based on sea level operation and need not be changed for operations up to 2000 ft (600 m) elevation. For operation at elevations between 2000 ft (600 m) and 5,400 ft (1640 m), nominal powers are reduced at the rate of 2% for each 1000 ft (300 m) above sea level.

1.11 State of California Proposition 65

Warnings

This product may contain a chemical known to the State of California, which can cause cancer or reproductive harm. Therefore, the packaging of your product may bear the following label as required by California:

STATE OF CALIFORNIA PROPOSITION 65 WARNING:



WARNING

Cancer and Reproductive Harm - www.P65Warnings.ca.gov

2 Preventing material damage

2.1 Preventing oven cavity damage

NOTICE

The presence of objects on the oven cavity bottom will cause heat to build up. The baking and roasting times will no longer be correct and the enamel will be damaged.

- ▶ Do not cover the oven cavity bottom with any sort of foil or greaseproof paper.
- ▶ Do not place accessories on the oven cavity bottom. Do not allow aluminum foil in the oven cavity to come into contact with the door glass, it could cause permanent discoloration.

Never pour water into the oven cavity when it is still hot. Never place cookware containing water on the oven cavity bottom.

The prolonged presence of moisture in the appliance cavity leads to corrosion.

- ▶ Allow the appliance cavity to dry after use.
- ▶ Do not keep moist food in the appliance cavity for a long time with the door closed.
- ▶ Do not store food in the appliance cavity.

Leaving the appliance to cool down with the door open will damage the front of neighboring kitchen units over time.

- ▶ Always allow the appliance cavity to cool down with the door closed after cooking at high temperatures. Only leave the appliance cavity to dry with the door open if a lot of moisture was produced during operation.

Fruit juice dripping from the baking tray leaves stains that cannot be removed.

- ▶ When baking very juicy fruit pies, do not pack too much on the baking tray.

If the seal is very dirty, the appliance door will not close properly when the appliance is in operation. This may damage the front of adjacent kitchen units.

- ▶ Never operate the appliance if the seal is damaged or missing.

Sitting or placing objects on the appliance door may damage it.

- ▶ Do not place or hang objects on the appliance door.

- ▶ Do not place cookware or accessories on the appliance door.
- With certain models, accessories may scratch the door glass when closing the appliance door.
- ▶ Always push accessories fully into the appliance cavity.
- Carrying the appliance by the door handle could break it. The door handle cannot support the weight of the appliance.
- ▶ Do not carry or hold the appliance by the door handle.

2.2 Preventing cooktop damage

NOTICE

OPERATIONAL FAULT.

- ▶ Always turn the control knob to the **off** position when the appliance is not being used.

Overheating can damage the cookware.

- ▶ Do not heat empty pots or pans. Aluminum foil and plastic melt on hot burners.
- ▶ Do not let aluminum foil or plastic come into contact with hot burners.

A build-up of heat may damage the appliance.

- ▶ Never cover the cooktop, for example with aluminum foil or oven protectors.
- ▶ Do not place roasters, frying pans or grill stones on more than one burner at a time.
- ▶ Only use the accessories specified.

Acidic liquids such as lemon juice or vinegar may damage the surface finish of the appliance.

- ▶ Remove spilled liquids immediately. Use caution while the burners are still hot.

Heat may cause damage to adjacent appliances or furniture.

If the appliance is in operation for an extended period, heat and moisture will be generated. Additional ventilation is required.

- ▶ Open the window or switch on an extractor hood that discharges the extracted air and moisture outside the building.

3 Environmental protection and energy-saving

3.1 Disposal of packaging

The packaging materials are environmentally compatible and can be recycled.

- ▶ Sort the individual components by type and dispose of them separately.

3.2 Saving energy when using the oven

If you follow these tips, your appliance consumes less energy.

Only preheat the appliance if the recipe or the recommended settings tell you to do so.

- ✓ Not preheating the appliance can reduce the energy used.

Use dark-colored, black-coated or enameled baking pans.

- ✓ These types of baking pans absorb the heat particularly well.

Open the appliance door as little as possible during operation.

- ✓ This will maintain the temperature in the appliance cavity and eliminate the need for the appliance to re-heat.

When baking multiple dishes, do so in succession or at the same time.

- ✓ The oven cavity is heated after baking the first dish. This reduces the baking time for the second dish.

If the cooking time is relatively long, you can switch the appliance off 10 minutes before the cooking time ends.

- ✓ There will be enough residual heat to finish cooking the dish.

Remove any accessories that are not being used from the oven cavity.

- ✓ An extra pan without food affects the browning and cooking.

Allow frozen food to defrost before cooking.

- ✓ This will save the energy that would otherwise be required to defrost it.

3.3 Saving energy when using the cooktop

If you follow these tips, your appliance consumes less energy.

Select a cookware diameter that matches the burner. Center the cookware on the burner.

Tip: Cookware manufacturers usually state the top diameter of the cookware. The diameter of the cookware base is usually smaller.

- ✓ The energy is targeted at the cookware.
- ✓ If you use cookware that is too small, energy is wasted. If the cookware is too large, much energy is used to heat up the cookware.

Close cookware with a fitting lid.

- ✓ Cooking without a lid consumes more energy.

Only lift the lid when necessary.

- ✓ If you lift the lid, a lot of energy can escape.

Use a glass lid.

- ✓ If you use a glass lid, you can look inside the cookware without lifting the lid.

Use cookware with a solid flat bottom.

- ✓ Curved cookware bases increase energy consumption.

Use a cookware size that matches the amount of food you want to cook.

- ✓ Cookware with little content consumes a lot of energy.

Cook with a small amount of water.

- ✓ More water requires more energy to heat it up.

Select a lower power level as soon as possible. Select a suitable power level to continue cooking.

- ✓ For ongoing cooking a lower power level is sufficient.

4 Familiarizing yourself with your appliance

This Use and Care Manual covers several models. Your model may have some but not all of the features listed.

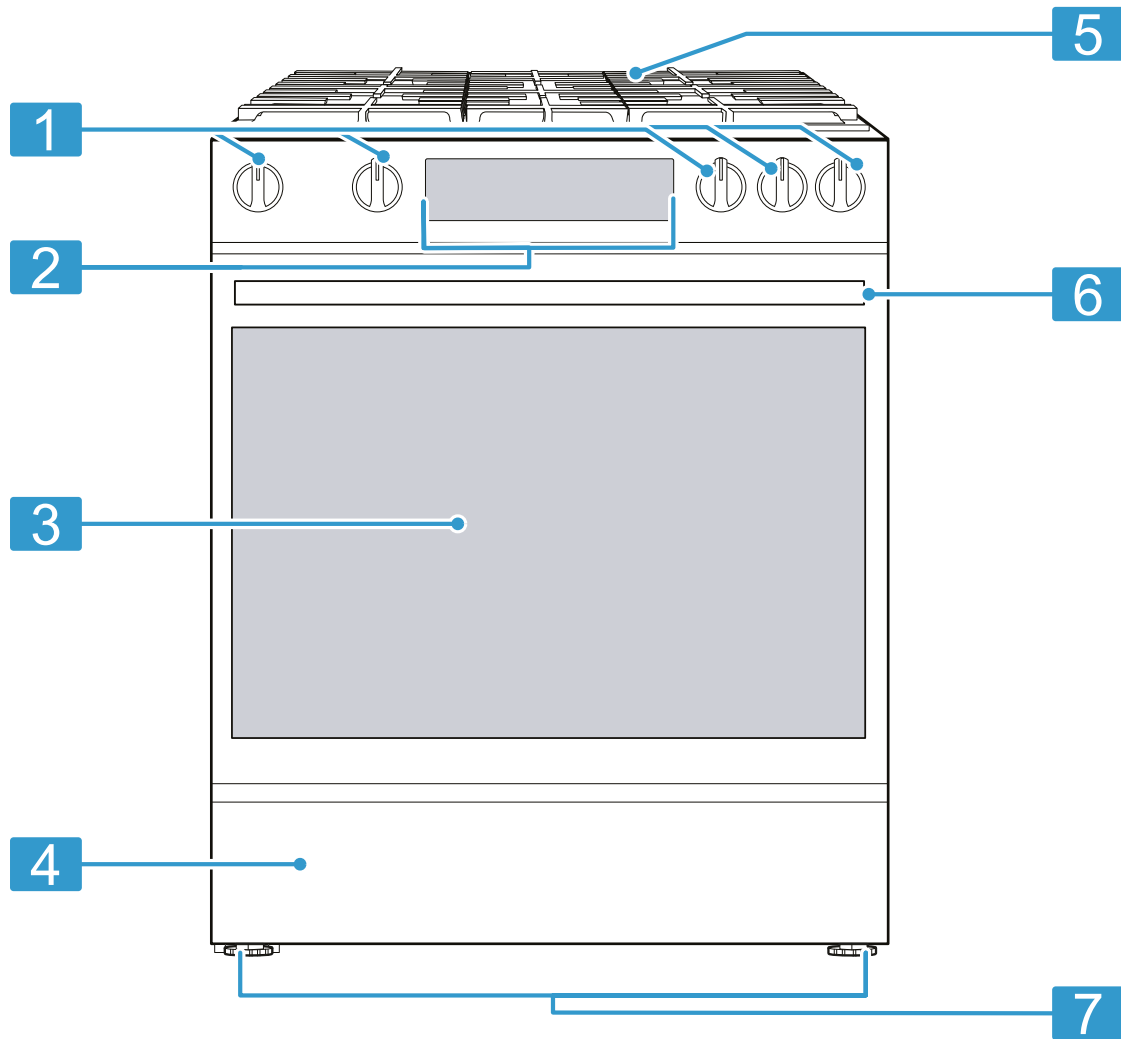
4.1 Appliance

Here you can find an overview of the parts of your appliance.

Notes

- This Use and Care Manual covers several models. Your model may have some but not all of the features listed.

- The graphics are representative. Your appliance may have different graphic or design appearances.



- 1 Cooktop control panel
- 2 Oven control panel
- 3 Oven door
- 4 Storage drawer
- 5 Rear vent trim/oven vent
- 6 Door handle
- 7 Range feet

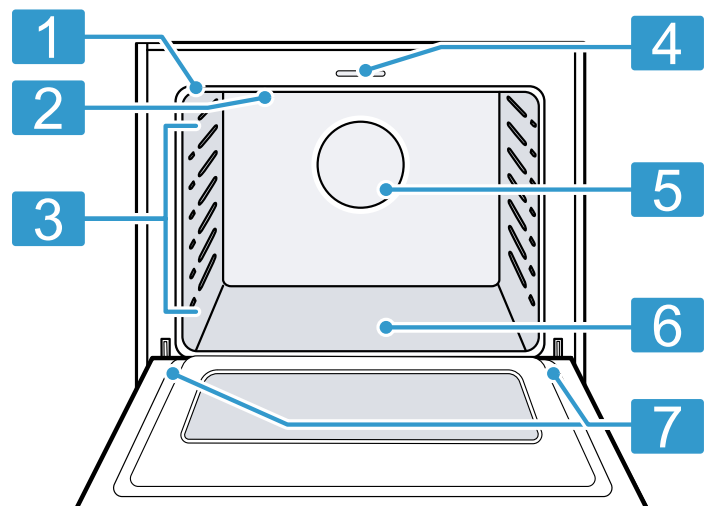
Oven cavity

Here you can find information about the features of the oven cavity.

CAUTION

Do not place anything on the oven cavity bottom. Do not cover it with aluminum foil. A build-up of heat could damage the appliance or cause injury.

Oven cavity components



- 1 Door gasket
- 2 Broil element
- 3 Oven rails
- 4 Door lock with switch
- 5 Convection fan

6 Oven cavity bottom

7 Door hinges

Convection fan

Convection baking uses a fan to circulate the oven's heat evenly and continuously within the oven. This improved heat distribution allows for even cooking and excellent results using multiple racks at the same time.

Cooling fan

The cooling fan runs during all cooking modes. The fan can be heard when it is running, and warm air may be felt as it is released from the appliance vent. The fan may also run after the appliance is off.

Oven vents

Warm air may be released from the oven vents before, during and after cooking. It is normal to see steam escaping from the vents, and condensation may collect in this area. This area may be warm when the oven is in use.

⚠ CAUTION

The oven vents are important for air circulation. Covering the oven vents will cause the oven to overheat. Refer to the appliance overview for the location of the oven vents.

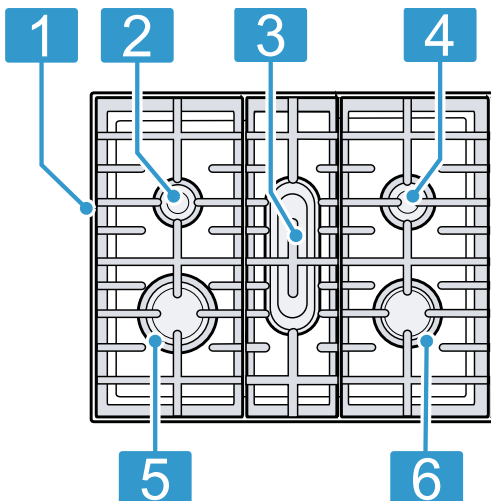
→ "Appliance", Page 11

▶ Do not obstruct oven vents.

Oven light

You can turn the oven light on or off manually. Press **oven light** to turn the oven light on or off.

Cooktop burners



1 Burner grates

2 Front left burner
16000 BTU

3 Back left burner
5000 BTU

4 Center burner
9200 BTU

5 Back right burner
5000 BTU

6 Front right burner
12000 BTU

Burner grates

Place the burner grates correctly onto the cooktop. Never operate the cooktop without the burner grates in place.

- For the correct position of the burner grates, refer to the appliance overview image.
- Place the cookware on the burner grates. Never place cookware directly onto the burners.
- Always remove burner grates carefully. When you move one burner grate, the burner grates next to it may also move.

Sealed burners

Your cooktop has sealed gas burners. There are no burner parts under the cooktop to clean, disassemble or adjust.

Burner cap placement

The burner caps must be properly placed for the cooktop to function properly. If the burner cap is not properly placed, one or more of the following may occur:

- Burner flames are too high
- Flames shoot out of the burners
- Stainless steel discolorations
- Burners do not ignite
- Burner flames light unevenly
- Burner emits gas odor

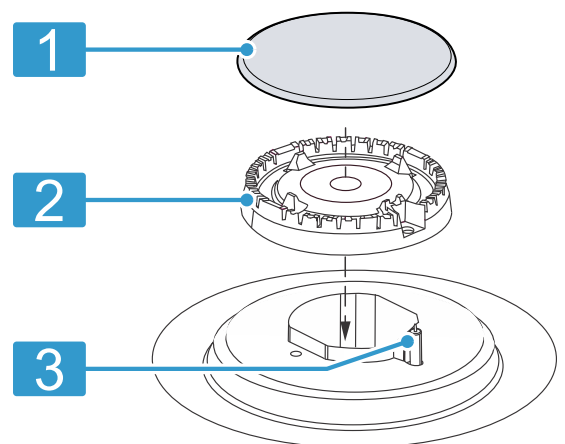
⚠ WARNING

To prevent flare-ups do not use the cooktop without all burner caps and all burner grates properly positioned.

⚠ CAUTION

To prevent burns, do not touch burner caps or grates while hot.

▶ Turn the cooktop off and allow the burners to cool.

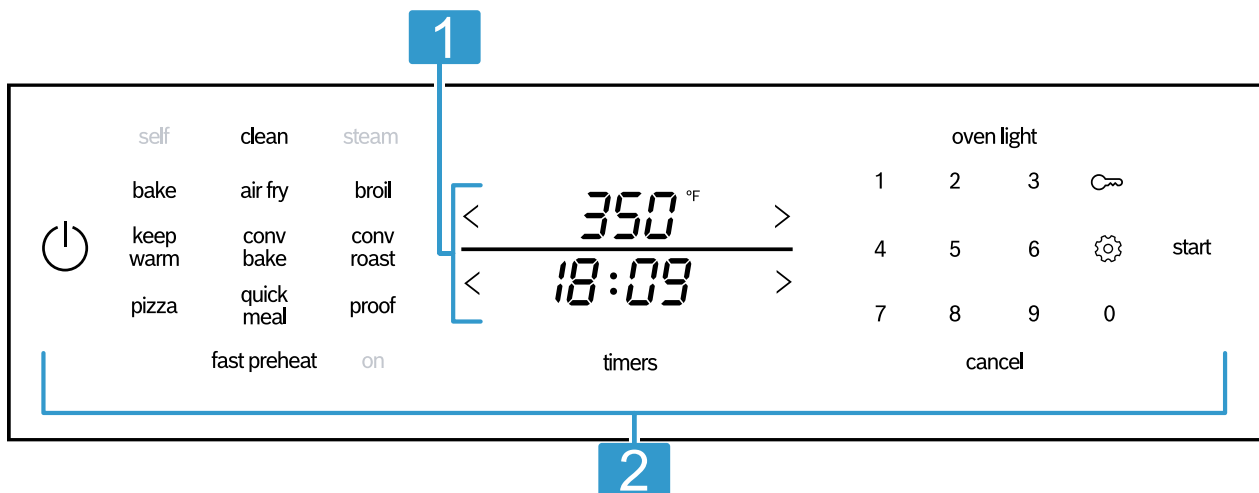


1 Burner cap

2 Burner base

3 Igniter

4.2 Oven control panel



1 Oven display

2 Touch keys

This Use and Care Manual covers several models. Your model may have some but not all of the features listed.

Touch keys

The oven control panel is equipped with touch keys. These keys are touch sensitive areas, press lightly on the keys to select the designated feature.

Touch key	Feature
	Oven main switch
bake	Bake mode
air fry	Airfry mode
broil	Broil mode
keep warm	Keep warm mode
conv bake	Convection bake mode
conv roast	Convection roast mode
pizza	Pizza mode
frozen foods	Frozen foods mode
quick meal	Quick meal mode
proof	Proof mode
self	Self clean mode
clean	Steam clean mode
fast preheat	Fast preheat function
warm zone	Cooktop warming zone
timers	Timer functions <ul style="list-style-type: none"> ▪ Cook timer ▪ Delay timer ▪ Sabbath mode
oven light	Oven light
start	Start mode
cancel	Cancel mode
0 - 9	Numeric key pad
	Panel lock
	Basic settings
<>	Adjust time or temperature values

Displays and indicators

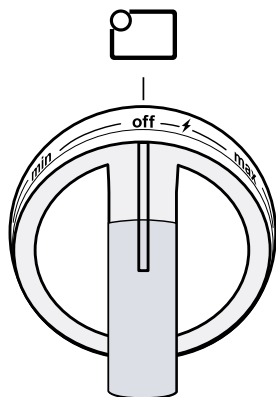
The control panel is equipped with different indicators and displays that show the active modes.

Display/Indicator	Meaning
350 °F	Upper half of display Temperature display
18:09	Lower half of display Time display
am/pm	Time of day in am or pm
cooktop active	Cooktop is operating
self	Self clean mode active
steam	Steam clean mode active
sabbath	Sabbath mode active
door lock	Door locked
timer	Kitchen timer active
duration	Cook timer set
delay start	Delay start active
panel lock	Panel locked
on	Fast preheat mode turned on
"off"/"min"/"med"/"max"	Cooktop warming zone settings

4.3 Cooktop control panel

The cooktop has one control knob for each cooking zone. Push in and turn to the right to the ignition setting.

The markings on the control knob indicate the available power levels.



Knob position

off Burner turned off

Knob position

⚡	Electronic ignition
min	Lowest power level
max	Highest power level

Burner positions

The markings next to each of the control knobs show which burner they control.

Burner positions

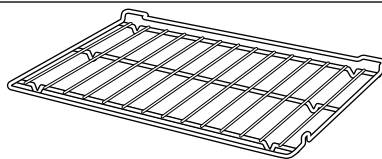
	Front left burner
	Front right burner
	Middle burner
	Back left burner
	Back right burner

5 Accessories

Only use genuine accessories. These are designed especially for your appliance. The accessories supplied may differ depending on the appliance model.

Accessories

Wire rack



Use

- These racks can be used for most cooking.
- You can use multiple racks at the same time.

Note: Do not clean using the **clean** function.

5.1 Other accessories

You can purchase other accessories from our Customer Service, specialist retailers or online.

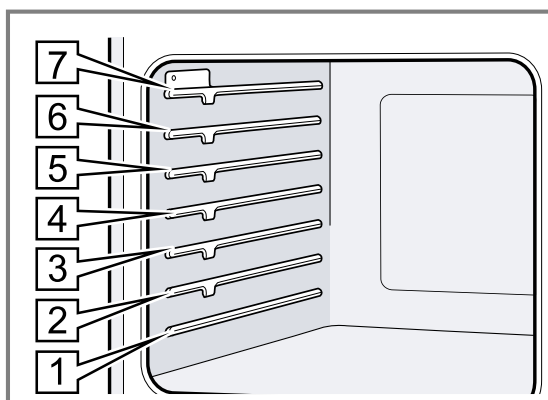
You will find a comprehensive range of products for your appliance in our brochures and online: www.bosch-home.com

Accessories are appliance-specific. When purchasing, always check for compatibility with your appliance model number (E-Nr).

You can find out which accessories are available for your appliance in our online shop or from our Customer Service.

5.2 Rack positions

Your oven has 7 rack positions. The rack positions are counted from bottom to top.



Rack position

Best for

7	-
6	Broiling 1" (2.5 cm) steaks, broiling hamburgers
5	Broiling 1½" (4 cm) steaks, broiling most meats and poultry
4	Most single rack baked goods and frozen pizza, roasting vegetables
3	Roasting chicken, baking fresh pies, baking breads, baking frozen pies

Rack position	Best for
2	Roasting turkey, baking angel food cake, baking cheese cake
1	-

5.3 Safe use of oven racks

For your safety, follow these recommendations on how to use the oven racks correctly.

⚠ CAUTION

Placement of Oven Racks - Always place oven racks in desired location while oven is cool. If the rack must be moved while the oven is hot, do not let potholders contact the hot heating elements in the oven. Use caution when removing oven racks from the lowest rack position to avoid contact with the hot oven door.

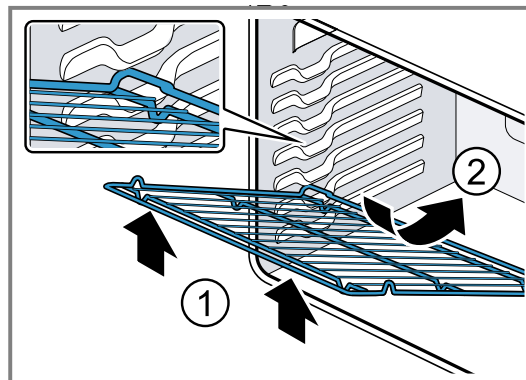
⚠ CAUTION

To avoid possible injury or damage to the appliance, ensure oven rack is installed exactly per installation instructions and not backwards or upside down. Do not slide any accessories between the rack positions, or they may tip.

5.4 Inserting the wire rack

Requirement: You have read the recommendation on .
→ "Safe use of oven racks", Page 16

1. Grasp the rack firmly on both sides.
2. Tilt the rack up to allow the stop into rack guide ① .
3. Bring the rack to a horizontal position and push it in the rest of the way ② .



The rack should be straight and flat, not crooked.

6 Before using for the first time

Apply the initial configuration settings. Clean the appliance and the accessories.

6.1 Read the safety instructions

▶ → "IMPORTANT SAFETY INSTRUCTIONS", Page 3

6.2 Unpacking appliance

Unpack your appliance and check all parts for any damage in transit.

1. Remove the packaging.
2. Remove the information products from the interior of the appliance.
3. Check all parts for damage in transit.
If you have any complaints, please contact the dealer from whom you purchased the appliance or our customer service.
→ "Customer Service", Page 32

6.3 Registering your appliance

To benefit from our extensive range of services, you can register your appliance without any obligation.

1. Discover all the benefits at *My Bosch*.
If you register your appliance, you will benefit from numerous advantages:
 - Discounts in our online shop for suitable accessories
 - Tips and tricks to make the most of your appliance
 - Having the Bosch after-sales service always close to hand
 - ... and much more
2. To register your appliance, click on the *My Bosch* link.
3. Click on "Register free of charge".

4. Enter your registration details.
5. Click on "Submit" and follow the instructions on the website.

6.4 Cleaning the appliance before using it for the first time

Clean the oven cavity and accessories before using the appliance to prepare food for the first time.

1. Remove all packaging materials from the oven cavity.
2. Before heating the appliance, wipe the smooth surfaces in the oven cavity with a soft, damp cloth and dry.
3. Keep the room ventilated while the appliance is heating.
4. Set the heating mode and temperature.

Heating mode	bake
Temperature	475°F (245°C)
Duration	30 minutes

5. Switch off the appliance after the specified cooking time.
6. Wait until the oven cavity has cooled down.
7. Clean the smooth surfaces with soapy water and a dish cloth.
8. Clean the accessories using soapy water and a dish cloth or soft brush.

Note: There may be a slight odor during first uses. This is normal and will disappear.

6.5 Initial use


After connecting the appliance to the power, or following a power failure, "door lock" is displayed on the oven display.

After a few seconds "door lock" will go out. The appliance is ready to use.

Note: Do not open the oven door while "door lock" lights up.

Setting the clock

After connecting the appliance to the power supply, or after an extended power outage you have to set the time display to the current time of day.

1. Press **start**.
2. Press .
3. Use the numeric keypad to enter the desired time. The numbers fill in from right to left. To enter 10:45, type 1, 0, 4, 5.
4. Press **start**.

Note: You can change the time settings at any time in the Basic settings. → *Page 20*

6.6 Burner cap placement

The burner caps must be properly placed for the cooktop to function properly.

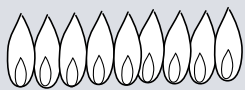
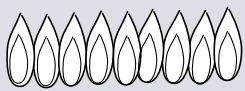
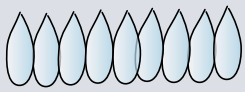
If the burner cap is not properly placed, one or more of the following may occur:

- Burner flames are too high
- Flames shoot out of the burners
- Stainless steel discolorations
- Burners do not ignite

6.7 Flame characteristics

The color of the flame tells you if the gas supply is properly adjusted.

Note: Allow the appliance to operate for 4 to 5 minutes before evaluating the flame. Some yellow streaking is normal during the initial startup.

Flame	Image	Measure
Completely or mostly yellow		Verify that the regulator is set for the correct fuel. Retest after adjustment.
Yellow tips on outer cone		Normal for LP gas
Soft blue		Normal for natural gas

- Burner flames light unevenly
- Burner emits gas odor

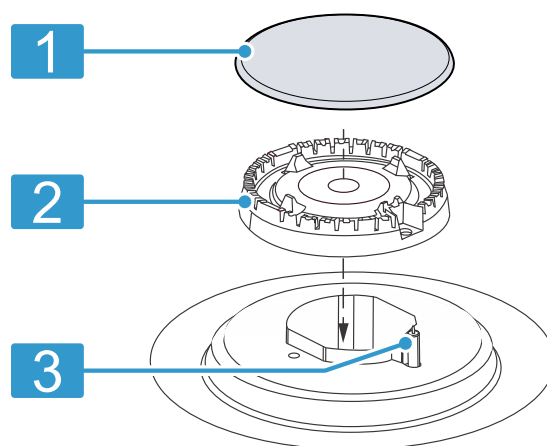
WARNING




To prevent flare-ups do not use the cooktop without all burner caps and all burner grates properly positioned.

CAUTION

To prevent burns, do not touch burner caps or grates while hot.

- ▶ Turn the cooktop off and allow the burners to cool.




-  Burner cap
-  Burner base
-  Igniter

7 Oven operation

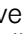
Here you will find out everything you need to know about operating your oven.

7.1 Oven heating modes and functions

Here you can find a list of heating modes and other features of your appliance.

Touch key	Heating mode/function	Default value/Temperature range in °F (°C)	How it works and what it is used for
bake	Bake	350 / 175-550 (175 / 80-290)	Cooks with dry, heated air. For a variety of foods, such as cakes, cookies, pastries, quick breads, quiche and casseroles.
broil	Broil high intensity Broil low intensity	LO / HI Default: HI	Use for tender cuts of meat 1" (2.5 mm) or less thick, poultry, browning bread and casseroles.
conv bake	Convection Bake	325 / 175-550 (165 / 80-290)	Similar to bake, but air is circulated by a fan at the back of the oven. Best for baked goods such as cakes, cornbread, pies, quick breads, tarts, and yeast breads.
conv roast	Convection roast	325 / 175-550 (160 / 80-285)	Uses intense heat and air circulated by a fan. Use for tender cuts of meat and poultry and roasting vegetables. Meats are more juicy and moist than results with roast mode.
keep warm	Keep warm	150 / 140-210 (65 / 60-100)	Maintains a low temperature in order to keep food hot. Best for cooked frozen lasagna, frozen pizza, meats, and casseroles → "How to use keep warm mode ", Page 22
pizza	Pizza	425 / 300-550 (220 / 150-290)	Heat is circulated throughout the oven by the convection fan. Use for fresh or frozen pizza.
proof	Proof	100 / 100 (40 / 40)	Maintains the warm, non-drafty environment needed for proofing yeast leavened products.
frozen foods	Frozen foods	325 / 265-480 (165 / 130-250)	Evenly distributes heat throughout the oven cavity. Does not require preheating. For frozen convenience foods such as fish sticks and chicken nuggets.
air fry	Air fry	425 / 300-500 (220 / 150-260)	Uses hot air for crispy results without all the oil. For packaged and convenience foods such as hot wings or French fries.
quick meal	Quick meal	325 / 265-480 (165 / 130-250)	Evenly distributes heat throughout the oven cavity. Does not require preheating. For frozen convenience foods such as fish sticks and chicken nuggets.
self clean	Pyrolytic self-cleaning		The oven reaches a high temperature to burn off food soil. During Self cleaning the door is locked. "door lock" is displayed.
steam clean	Steam cleaning		Steam assisted cleaning mode.
sabbath	Sabbath mode	350 / 175-425 (175 / 80-220)	The Sabbath mode enables those of particular faiths to use their ovens on the Sabbath.
timers	Oven timer		The oven timer is a countdown timer which upon reaching 00:00 turns the oven off, stopping the current mode. The oven timer is used to set how long a mode will run. → "Oven timer", Page 19
timers	Kitchen timer		The kitchen timer is a countdown timer that has no affect on oven heating. The kitchen timer is used for general kitchen timing needs.
	Panel lock		Activate the panel lock to prevent involuntary operation.

7.2 Setting the heating mode and temperature

1. Press  to turn on the oven.
 - ✓ The available touch keys light up.
2. Press the touch key for the desired heating mode.
 - ✓ The heating mode touch key and **start** light up brighter.
 - ✓ The default temperature flashes in the upper part of the display.
3. If desired, enter a different temperature using < or > keys or the numeric keypad.
4. Press **fast preheat**, if you want to preheat the oven faster.

Note: You can define in the basic setting menu, if **fast preheat** is applied automatically or not.
5. Press **start**.
 - ✓ **fast preheat** "on" is displayed until the set temperature is reached.

7.3 Turning the oven off

1. Press **cancel**.
 - ✓ The oven turns off and *END* is displayed.
 2. Press **cancel** again.
 - ✓ The display goes to standby mode.
- Note:** If you do not press **cancel** a second time, the display goes to standby mode automatically after a couple of minutes.

7.4 Fast preheat

With **fast preheat**, you can shorten the preheat time.



fast preheat is available for the following heating modes.

- **bake**
- **conv bake**
- **conv roast**
- **pizza**

fast preheat is preset to start automatically. You can change this setting in the basic settings menu. To start **fast preheat** manually, press **fast preheat** before starting the heating mode.

7.5 Turning the panel lock on or off

With the panel lock you can prevent involuntary operation by disabling all touch keys on the oven control panel.

1. Press and hold  for 3 seconds.
 - ✓ The touch keys are unresponsive. A beep sounds when any touch key is pressed.
2. Press and hold  again for 3 seconds to turn off the panel lock.

Note: While panel lock is active the cooktop controls can still be operated normally.

7.6 Kitchen timer

The kitchen timer is a countdown timer that has no affect on oven heating.

The kitchen timer can be used when the appliance is turned off, or while a heating mode is active.

Setting the kitchen timer

1. Press **timers** repeatedly until "timer" lights up.
2. Enter the desired time with the numeric keypad.
3. Press **timers** to confirm.
 - ✓ The timer starts to count down.
 - ✓ When the time has elapsed, an alarm sounds.

Canceling the kitchen timer

1. Press **timers** repeatedly until "timer" starts blinking in the display.
2. Press **cancel**.

7.7 Oven timer

If you set an oven timer, the oven stops heating automatically once this time has elapsed.

Setting the oven timer

You can set a cook timer before starting the heating mode, or while the heating mode is running.

1. Press **timers**.
 - ✓ "duration" lights up in the display.
2. Enter the desired cook time duration using the numeric keypad.
3. Press **start**.
 - ✓ The oven timer starts to count down.
 - ✓ When the oven timer has elapsed the heating mode is turned off.

Canceling the oven timer

1. Press **timers** repeatedly until "duration" starts blinking in the display.
2. Press **cancel**.

7.8 Delay start

With this feature you can program your oven to start a heating mode at a predetermined time.

CAUTION

- Food might spoil when left standing for too long.
- ▶ To maintain food safety, do not leave food in the oven for more than one hour before or after cooking.

Setting delay start

1. Set the desired heating mode and temperature.
2. Press **timers** twice.
 - ✓ "delay start" lights up on the display.
3. Set the desired start time with the number keys.
4. Press **start**.
 - ✓ After the waiting period the oven starts heating.

Note: If you press **start** again the heating mode starts immediately.

Canceling delay start

1. Press **timers** repeatedly until "delay start" is blinking in the display.
2. Press **cancel**.

7.9 Sabbath mode

The Sabbath mode enables those of particular faiths to use their ovens on the Sabbath.

- Sabbath mode is only available in **bake** mode.


- You can set a temperature between 175°F (80°C) and 425°F (220°C).
- You can set a duration of up to 74 hours.

Oven behavior during Sabbath mode

While Sabbath mode is active the oven behaves in the following ways.

- The cook time and temperature cannot be changed.
- All signal sounds are deactivated.
- The oven light is turned off and will not turn on when the oven door is opened.
- After a power failure the appliance will return to Sabbath mode without heating. The timer countdown will start again from 74 hours.
- When an error message is triggered, the heating mode is turned off. An error message is displayed, but there is no signal sound.

Setting Sabbath mode

1. Press .
2. Press < or > on the upper half of the display until "sabbath" lights up.

Overview of the basic settings

Here you can find an overview of the basic settings and factory settings. The basic settings depend on the features of your appliance.

Display	Basic setting	Available values
SEt time / "am/pm"	Time of day	Enter the time with the numeric key pad, the numbers fill in from right to left. "am/pm" changes automatically when the time exceeds 12:00.
Vol	Volume	<ul style="list-style-type: none"> ▪ _ : low ▪ = : medium ▪ ≡ : high¹ ▪ "off" : all sounds off
brh	Display brightness	<ul style="list-style-type: none"> ▪ _ : low ▪ = : medium ▪ ≡ : high¹
SEt	Temperature unit	<ul style="list-style-type: none"> ▪ °F¹ ▪ °C
Aut preheating	Auto fast preheat Fast preheat is activated automatically.	<ul style="list-style-type: none"> ▪ On: On¹ ▪ Off: Off
SEt sabbath	Sabbath mode	<ul style="list-style-type: none"> ▪ On: On ▪ Off: Off
ACC	Automatic convection conversion Converts the regular baking temperatures to convection bake temperatures. For more information, see	<ul style="list-style-type: none"> ▪ On: On ▪ Off: Off¹
OFF°F	Temperature offset Adjusts the baseline temperature of your oven. For more information, see → "Oven temperature offset", Page 21	Press < or > to enter a value between -30°F and +30°F. Default setting = 0°
Fct	Reset to factory settings	<ul style="list-style-type: none"> ▪ rES: Reset to factory settings ▪ OFF: Keep current settings

3. Press < or > on the lower half of the display until On is displayed.
4. Press **start**.
 - ✓ "sabbath" starts blinking.
 - ✓ The default temperature 350°F is displayed in the top half of the display, the default duration 48 h is displayed in the bottom half of the display.
5. Adjust the temperature and duration with < or > if desired.
6. Press **start**.
 - ✓ After 30 seconds the oven starts to heat and the time starts to count down.
 - ✓ Once the cooking time has elapsed the oven is automatically turned off.


Note: You can cancel the Sabbath mode at any time by pressing **cancel**.

7.10 Basic settings

You can configure the basic settings for your appliance to meet your needs.

¹ Factory setting

Changing the basic settings

1. Press  to enter the basic settings menu.
 2. Press < or > on the upper half of the display to cycle through the basic settings.
 3. Press < or > on the lower half of the display to cycle through the available values.
 4. Press **start** to confirm the selected setting. Use the numeric keypad to enter numeric values if required:
 - When setting the time of day, the numbers fill in from right to left.
 - When entering a temperature for temperature offset and Sabbath mode the values will be rounded to values of 5.
- ✓ The new value is automatically accepted as the display reverts from edit mode back to standby mode.

Oven temperature offset

The oven is calibrated to provide accurate results. This feature is useful if you prefer your foods lighter or darker.

- When an offset temperature is selected, the actual oven temperature is raised or lowered by this value.
- Do not use residential oven thermometers to evaluate oven temperatures as they will fluctuate throughout cooking.
- You can set a temperature offset from the factory baseline. Each time you call up the temperature offset option in the basic settings menu, the factory baseline temperature is restored so you can set a new offset value.

Auto convection conversion

Convection bake mode requires a 25°F reduction in temperature. Auto convection conversion reduces the temperature you enter automatically.

- Simply enter the package or recipe temperature when setting the mode. The control calculates the correct temperature and it is shown in the display.

7.11 General tips for heating modes

How to use bake mode

Use the **bake** mode to prepare a variety of food items, from pastries to casseroles. Refer to recipe or package directions for oven temperature and baking time.

Note

- Refer to the section on rack level recommendation for best results.
→ *"Rack positions", Page 15*
- Fully preheat the oven before baking items like cakes, biscuits and breads.
- Use the convection bake function for best results when baking cookies on multiple racks.
- Allow at least 2" (5 cm) of space between bakeware for proper air circulation.
- Dark or dull bakeware absorbs more heat than shiny bakeware, resulting in dark or over browned foods. It may be necessary to reduce oven temperature or cook time to prevent overbrowning of some foods.
- Shiny pans are recommended for cakes, cookies, and muffins.

- Do not open oven door often. Opening the door will reduce the temperature in the oven and may increase cook time.
- For cakes stagger pans so that one is not directly above the other.

How to use conv bake mode

Use the **conv bake** mode to prepare meat, pastry and vegetables on a single rack or on multiple racks simultaneously.

This system combines heaters with a fan, which makes it faster than conventional system.

Note

- Recommended baking levels:
 - For single-level baking of flat food (pastry) 4
 - For single-level baking of larger cuts (meat): 2 or 3; for multi-level baking: 2 and 5
- Place food in shallow, uncovered pans, such as cookie sheets without sides.
- If baking more than one pan on a rack, allow at least 1" to 1½" (2.5 to 4 cm) of air space around the pan.
- Allow at least 2" (5 cm) of space between bakeware for proper air circulation.
- For cakes stagger pans so that one is not directly above the other.

How to use pizza mode

Note

Follow these recommendations:

- There might be a slight decrease in baking time. Check before minimum package time.
- When baking a frozen pizza: For a crispy crust, place directly on the rack. For a softer crust, use a pizza pan.
- For deeper browning or a crispier crust use rack level 1.
- If par-baking handmade pizza dough, prick the dough with a fork before baking.
- If using a pizza pan, choose a dark, perforated pan for a more crisp crust and a non-perforated pan for a softer crust.
- Preheat baking stones following manufacturer's recommendations while the oven is preheating.
- Bake homemade pizzas on rack position 2 in the center of the rack.
- Follow manufacturer's directions for frozen pizza.

How to use conv roast mode

Use the **conv roast** mode for roasting poultry and whole cuts of meat on a single rack.

This is a combination heating mode. Hot air is circulated evenly around the food, and the heaters uniformly radiate heat and contribute to a crunchy crust and juicy core. This heating mode combines heaters with a fan, which makes it faster than conventional heating modes.

Note

- Refer to the section on rack level recommendation for best results.
→ *"Rack positions", Page 15*
- Preheating the oven is not necessary.
- Use the same temperature as indicated in the recipe.
- Check doneness early, since roasting time may decrease.

- Use a broil pan with a rack and grid or a shallow, uncovered pan with a rack for roasting.
- Use a meat thermometer to determine the internal temperature of the meat.
- If the meat is browned to your liking, but is not yet done, foil can be placed over the meat to prevent overbrowning.
- Let meat stand covered with foil 10-15 minutes after removing it from the oven.
- When cooking large meats (e.g. turkey over 10 lbs) do not use the lowest rack position.

How to use broil mode

The **broil** mode is intended for baking flat food, such as toasted bread, open sandwiches, burgers, grill sausages, steaks, fish, etc., or for au gratin.

Note

- Use **broil HI** to grill large amounts of flat-shaped food like toast, open sandwiches, grill sausages, fish, skewers, etc., cook au grating and brown the crust.
- Use **broil LO** to grill chicken and seafood.
- Always broil with the oven door closed.
- Preheat the oven for 3 to 4 minutes. Do not preheat for more than 5 minutes.
- Use the broil pan and grid or a deep pan with a metal rack, for broiling.
- Do not cover the broil grid with foil. It is designed to drain fats and oils away from the cooking surface to prevent smoking and spattering.
- Turn meats once during the recommended cook time. Fish does not need to be turned.
- Never use heat-proof glass, such as Pyrex®; it cannot tolerate the high temperature.

How to use air fry

This mode results in a crunchy crust without added fat. This is a healthy version of fast-food frying, with fewer calories in the cooked food. Suitable for smaller cuts of meat, fish, vegetables, and frozen products ready for frying, such as French fries or chicken nuggets. This is a combination mode. The hot air circulates evenly around the food. The heat from the top heater contributes to a crunchy crust.

- Allow the oven to preheat fully before placing the food in the oven.
- Use rack position 4 for best results.
- Use a dark aluminum baking tray with a wire insert to elevate the food.
- Distribute the food evenly across the entire area of the baking dish or sheet and do not cover it.
- Follow package instructions for time and temperature.
- Some foods may produce smoke and vapor.

How to use frozen foods/quick meal

This mode allows baking frozen food on a single rack in a shorter period of time without preheating.

- Use for pre-baked frozen products, such as frozen meals, bakery products, croissants, French fries, or chicken nuggets.
- Follow package instructions for time and temperature.

How to use proof mode

Use the **proof** mode to raise yeast dough.

Note

- Start with a cool oven when using this mode.
- Allow frozen dough to thaw first.
- The ideal temperature for proofing will be maintained until the mode is turned off. Dough has proofed when it has doubled in size.
- Loosely cover the bowl or pan and use any rack that accommodates the size of the container.
- Keep the door closed and use the oven light to check the rising of the dough.

Size	Time in min.
Loaf, 1 lb (4.5 kg)	60 - 75
Rolls, 0.1 lb (50 g)	30 - 45

How to use keep warm mode

Use the **keep warm** mode to keep hot, cooked foods at serving temperature.

⚠ CAUTION

Food may spoil when kept warm for too long.

- ▶ Do not use the warm mode to heat cold food.
- ▶ Be sure to maintain proper food temperature. The USDA recommends holding hot food at 140°F (60 °C) or warmer.
- ▶ DO NOT warm food longer than one hour.

Note

- ALWAYS start with hot food. DO NOT use this mode to heat cold food other than for crisping crackers, chips, and dry cereal.
- Serving dishes, plates, and cups may be kept warm with this mode.
- Foods that must be kept moist should be covered with a lid or aluminum foil.
- Aluminum foil may be used to cover food. Use only heat-safe dishes.
- DO NOT open the oven door unnecessarily. Opening the door will reduce the temperature of the oven.
- When keeping cooked food warm, allow time for the oven to preheat before placing the item in the oven.

7.12 Getting the best results

- Minimize opening the oven door.
- Use the rack position recommended by the recipe.
- Use the bakeware recommended in the recipe.
- Store pans outside the oven. An extra pan without food affects the browning and cooking.
- The type of pan used affects the browning.
 - For tender, golden brown crusts, use light non-stick/anodized or shiny metal pans.
 - For brown crisp crusts, use dark non-stick, anodized or dark, dull metal pans or glass bakeware. These may require lowering the bake temperature 25°F.

Preheating the oven

- Most cooking times in recipes are designed for a preheated oven and require that the oven already be at a certain temperature before cooking starts. Refer to your recipe for preheating recommendations.
- Preheating time depends on the temperature setting and the number of racks in the oven. Remove unused oven racks to shorten the preheat time.
- Preheating is not necessary for **conv roast**.

Bakeware type

- Metal bakeware with or without a non-stick finish, heat-proof glass, glass-ceramic, pottery, or other utensils are suitable for the oven.
- Suitable cookie sheets have a small lip on one side. Heavy sheets or those with more than one side may affect the baking time.

Pan placement

- Allow at least 1" (2.5 cm) of space between the pans and the oven walls so heat can circulate around each pan.
- Stagger bakeware so that one is not directly above another. Allow 1½" (4 cm) above and below each pan.

8 Cooktop operation

Here you will find out everything you need to know about operating your cooktop.

8.1 Cookware

This information will help you save energy and avoid damaging your cookware.

Suitable cookware

Only use cookware of a suitable size. The cookware must not overhang the edge of the cooktop.

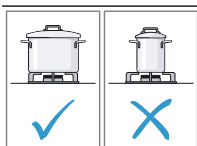
Burner	Max. diameter of the cookware base	Min. diameter of the cookware base
Large burner	11¾" (30 cm)	10¼" (26 cm)
Medium burner	8⅔" (22 cm)	5½" (14 cm)
Small burner	6¼" (16 cm)	4¾" (12 cm)

Cookware recommendations

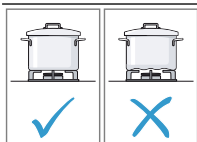
- Aluminum or copper bottomed pans conduct heat evenly.
- Steel pans, if not combined with other metals, may cook unevenly.
- Cast-iron cookware absorbs heat slowly and cooks more evenly at low to medium settings.
- Flat heavy bottom pans provide even heat and stability.
- DO NOT USE pans that are thin, warped, dented or ridged as they heat unevenly.

Using cookware

The selection and positioning of the cookware affects the safety and energy efficiency of your appliance.



Ensure that the size of the cookware is suitable for the burner size. Never use small cookware on large burners. Ensure that the flame does not touch the sides of the cookware.



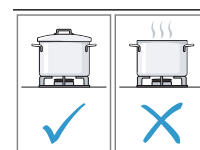
Do not use deformed cookware. Deformed cookware is not stable on the cooktop and may tip over. Use cookware with a thick, flat base.

High altitude baking

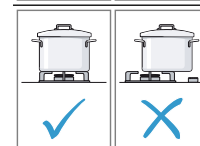
When cooking at high altitudes, recipes and cooking times will vary. For the most accurate and up-to-date guidance, consult your local Extension service or the Colorado State University Extension's resources on high-altitude food preparation.

Condensation

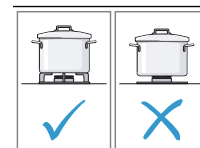
It is normal for a certain amount of moisture to evaporate from the food during any cooking process. The amount depends on the moisture content of the food. The moisture will condense on any surface cooler than the inside of the oven, such as the control panel.



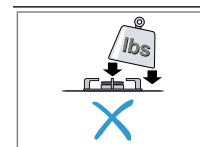
Do not cook without a lid. Ensure that the lid does not move. When cooking without a lid, a large amount of the energy will escape.



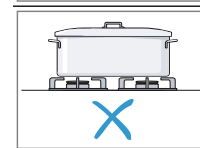
Position the cookware in the middle of the burner, otherwise it may tip over. Do not position large cookware on the burners close to the controls. The controls may be damaged due to overheating.



Place the cookware on the burner grates. Never place the cookware directly on the burner. Before using the appliance, ensure that the burner grates and the burner caps are positioned correctly.



Handle the cookware that is on the cooktop carefully. Do not bang on the cooktop. Do not place heavy weights on the cooktop.



Never use multiple burners to heat up cookware, such as roaster, pan, grill stone. The build-up of heat that results from this will damage the appliance.

8.2 Turning on a burner

The cooktop uses electric igniters to light the burners.

1. Place suitable cookware on the burner grate.
2. Push in the control knob for the selected burner and turn it counter-clockwise to the highest power level. Keep the control knob pushed in.
3. Wait a few seconds and release the control knob.

4. ⚠ WARNING

Escaping gas can ignite.

- ▶ If the burner does not turn on after 15 seconds, turn off the control knob and open the door or window in the room. Wait at least 1 minute before igniting the burner again.

Turn the control knob to the desired position.

- If the burner does not ignite, turn it off and repeat the steps described above. This time, hold the control knob down longer (up to 10 seconds).

Note

In order to ensure proper operation of the appliance, observe the following instructions:

- The burner parts and burner grates need to be properly positioned.
- Do not interchange the burner caps of the individual burners.
- It is important to keep the appliance clean. Clean the igniters regularly with a small non-metallic brush. Take care to prevent the igniters from suffering any heavy impacts.
- The burner holes and slots must be clean for the flame to be correct. Clean the burners regularly.

8.3 Manually igniting a burner

In the event of a power failure, you can ignite the burners manually.

- Hold down the control knob for the selected burner and turn it counterclockwise to the highest power level.
- Hold a lit lighter or a match against the burner.

8.4 Turning off a burner

- Turn the control knob clockwise to off.

8.5 Normal behavior during operation

The following behavior during operation is normal.

- A soft whistling noise while the burner is operating.
- Release of odors during first use. These do not pose a risk and will disappear in time.
- An orange-colored flame is normal. It is caused by impurities, such as the presence of dust in the atmosphere or spilled liquids.

8.6 Recommended cooking settings

Use the following chart as a guide for heat settings. The cooking times and heat settings may vary depending on the type of food, its weight and quality, on the type of gas used, and on the material from which the cookware is made.

Always use cookware that is the right size and place it in the center of the burner.

Tips

- Recommendations for cooking:
 - Place all the ingredients into the cookware at the same time when cooking soups, creams, lentil stews or chickpeas.
 - Preheat the oil when frying. Once you have started frying the food, maintain the temperature by adjusting the power if necessary. Maintain the temperature of the oil between different batches and turn the food frequently.
- Recommendations to reduce the cooking time:
 - Use a pressure cooker to cook creamy soups and legumes. Follow the manufacturer's instructions of the pressure cooker. Add all the ingredients at the same time at the start.
 - Bring the water to a boil before adding pasta, rice or potatoes and then adjust the power level to continue boiling.
 - Use a lid to cook rice and potatoes.

Cooking process	Heat setting
Bringing water to a boil	High
Pan frying, sauteing, browning meat, deep fat frying	Medium high
Most frying, eggs, pancakes, slow boil	Medium
Finish cooking covered foods, steaming	Medium low
Melting chocolate and butter, simmering tomato sauces, soups, stews	Low

9 Cleaning and maintenance

Note: The Statement of Limited Product Warranty covers defects in materials and workmanship. Cleaning and maintenance is not covered by the warranty and a charge will apply. See the Statement of Limited Product Warranty for more details.

9.1 Cleaning agents

Only use suitable cleaning agents to avoid damage to the appliance surfaces.

Brand names

- The use of brand names is intended only to indicate a type of cleaner. This does not constitute an endorsement.
- The omission of any brand name cleaner does not imply its adequacy or inadequacy.
- Many products are regional in distribution and can be found in local markets.

- It is imperative that all cleaning products be used in strict accordance with the instructions on its package.

Avoid these cleaners

Do not use commercial oven cleaners such as Easy Off®¹. They may damage the appliance finish or parts. Chlorine or chlorine compounds in some cleansers are corrosive to stainless steel. Check ingredients on label. Never use scouring pads or abrasive cleaners.

⚠ WARNING

Be sure the entire appliance (including the light bulb) has cooled and grease has solidified before attempting to clean any part of the appliance.

¹ These marks are registered trademarks of their respective owners. All other trademarks are trademarks of BSH Home Appliances Corporation or its affiliated companies.

⚠ WARNING

To avoid risk of electrical shock, DO NOT use a steam cleaner or high pressure cleaners to clean the appliance.

Penetrating moisture may cause electrical shock.

9.2 Cooktop cleaning and maintenance**Cleaning the appliance****⚠ CAUTION**

All igniters spark when any single burner is turned on.

- ▶ Do not touch any of the burners when the cooktop is in use.

⚠ WARNING

Do not clean the cooktop while it is in operation.

1. Let the appliance cool down.
2. Clean with a sponge, water and soap.
3. Dry with a soft cloth.

Cleaning the burners

Clean the surfaces of the burners after every use to prevent them from becoming encrusted.

Cleaning recommendations

Follow these cleaning recommendations for the individual parts of your appliance.

Part / Material	Suitable cleaning method	Important notes
Burner base / aluminum alloy	<ul style="list-style-type: none"> ▪ Non-abrasive cleaner: Dish soap and hot water ▪ Mild abrasive cleaners: Bon Ami®¹ or Soft Scrub®¹ Rinse and dry immediately.	<ul style="list-style-type: none"> ▪ Do not scratch or gouge the port openings. ▪ Clean ports with a wire or a straightened paper clip. ▪ Do not use a toothpick, it may break off. ▪ Do not soak burner bases. ▪ A toothbrush can be used for stubborn stains.
Burner cap / porcelain enamel	<ul style="list-style-type: none"> ▪ Non-abrasive cleaners: Dish soap and hot water, Fantastic®¹ ▪ Mild abrasive cleaners: Bon Ami®¹ ▪ Liquid cleaners: Soft Scrub®¹ ▪ For food stains: abrasive cleaners such as Barkeepers Friend®¹ Rinse and dry immediately.	<ul style="list-style-type: none"> ▪ Acidic and sugar-laden spills deteriorate the enamel. Remove soil immediately after the appliance has cooled enough to touch. ▪ Do not use wet sponge or towel on hot porcelain. ▪ Do not soak burner caps. ▪ Always apply minimal pressure with abrasive cleaners. ▪ Dry thoroughly and make sure the burner cap is seated properly on the burner base after cleaning.
Control knobs and bezels	Non-abrasive cleaners: Dish soap and hot water Dry thoroughly after cleaning.	<ul style="list-style-type: none"> ▪ You can remove the control knobs for cleaning the appliance. ▪ Do not remove grommets or white rings. You will require Customer Service to refit them. DO NOT USE THE COOKTOP WITHOUT ALL PARTS FITTED CORRECTLY! ▪ Do not soak knobs or grommets. ▪ Do not use abrasive scrubbers or cleaners, such as Bon Ami®, Ajax®, or Comet®. They may permanently damage the finish or remove graphics.

NOTICE

Do not clean the burner parts in the dishwasher. They may be damaged.

1. Wait until the appliance has cooled.
2. Scrub with a non-metallic brush and soapy water.
3. Dry the burners completely. If there are water droplets or damp patches on the cooktop when you start cooking, the enamel may be damaged.
4. Reassemble the burner parts. Ensure that the burner caps are correctly positioned on the burner bases.

Cleaning the burner grates

1. Wait until the appliance has cooled.
2. Carefully lift off the burner grates.
3. Scrub with a non-metallic brush and soapy water. Carefully clean around the rubber feet. If the rubber feet come off, the grates may scratch the cooktop surface.
4. Dry the burners grates completely. If there are water droplets or damp patches on the cooktop when you start cooking, the enamel may be damaged.
5. Place the burner grates in their proper position.
→ "Burner grates", Page 13

¹ These marks are registered trademarks of their respective owners. All other trademarks are trademarks of BSH Home Appliances Corporation or its affiliated companies.

Part / Material	Suitable cleaning method	Important notes
Exterior finish / stainless steel	<ul style="list-style-type: none"> ▪ Clean with soapy water and soft cloth, then rinse and dry with a soft cloth. ▪ Condition steel with the Bosch Stainless Steel Conditioner (part # 00576696). Not for use on black steel. ▪ Hard water spots: Household white vinegar ▪ Mild abrasive cleaners: Bon Ami®¹ ▪ Heat discoloration: Bar Keepers Friend®¹ Rinse and dry immediately.	<ul style="list-style-type: none"> ▪ Do not use steel wool pads. They will scratch the surface. ▪ Stainless steel resists most food stains and pit marks providing the surface is kept clean and protected. ▪ Never allow food stains or salt to remain on stainless steel for any length of time ▪ Rub lightly in the direction of the grain. ▪ Chlorine or chlorine compounds in some cleaners are corrosive to stainless steel. Check the ingredients on the label before using.
Burner grates and grate bridge / porcelain enamel on cast iron	<ul style="list-style-type: none"> ▪ Non-abrasive cleaner: Hot water and detergent, Fantastic®¹ ▪ Mild abrasive cleaners: Bon Ami®¹, Soft Scrub®¹ ▪ Stubborn stains: Soap filled steel wool pads Rinse and dry immediately.	<ul style="list-style-type: none"> ▪ The grates are heavy; use care when you lift them up. Place them on a protected surface for cleaning. ▪ Blisters, crazing or chips are common due to the extreme temperatures on the grate fingers and rapid temperature changes. ▪ Acidic and sugar-laden spills deteriorate the enamel. Remove soil immediately after the appliance has cooled enough to touch. ▪ If you use abrasive cleaners too vigorously or too often they may eventually mar the enamel. ▪ Do not clean in a self-cleaning oven.
Igniters / ceramic	<ul style="list-style-type: none"> ▪ Carefully wipe with a cotton swab dampened with soap and water. ▪ Gently scrape the soil off with a toothpick. 	<ul style="list-style-type: none"> ▪ Avoid excess water on the igniter. A damp igniter will prevent the burner from lighting. ▪ Remove any lint that may remain after cleaning.
Glass surfaces	Non-abrasive cleaner: Dish soap and hot water Rinse and dry immediately.	<ul style="list-style-type: none"> ▪ Always clean off spilled liquid immediately after the appliance has cooled enough to touch. This will prevent food remains from sticking to the cooktop surface. ▪ Remove melted sugar, or foods which contain a lot of sugar, immediately after the appliance has cooled enough to touch. Use the glass scraper. ▪ Do not use abrasive cleaners such as metal scouring pads, scrub sponges, soap-filled scouring pads and powder cleaners.

9.3 Oven cleaning and maintenance

Cleaning recommendations

Clean only those parts of your oven that are listed in this cleaning chart.

Part	Suitable cleaning method	Recommendations
Flat rack	<ul style="list-style-type: none"> ▪ Wash with soapy water. ▪ Rinse thoroughly and dry, or gently rub with cleansing powder or soap-filled pads as directed. 	<ul style="list-style-type: none"> ▪ DO NOT CLEAN USING THE SELF CLEAN FUNCTION. ▪ If the flat racks remain in the oven during the self clean mode, they will lose their shiny finish and may not glide smoothly. If this happens, wipe the rack edges with a small amount of vegetable oil. Then wipe off excess oil.
Telescopic rack	<ul style="list-style-type: none"> ▪ Wash with soapy water. ▪ Rinse thoroughly and dry, or gently rub with cleansing powder or soap-filled pads as directed. 	<ul style="list-style-type: none"> ▪ DO NOT CLEAN USING THE SELF CLEAN FUNCTION. ▪ Avoid getting cleansing powder in the telescopic slides. Re-lubrication may become necessary. Use only high-temperature food-grade lubricants to re-lubricate the slides.

¹ These marks are registered trademarks of their respective owners. All other trademarks are trademarks of BSH Home Appliances Corporation or its affiliated companies.

Part	Suitable cleaning method	Recommendations
Door gasket	<ul style="list-style-type: none"> None 	<ul style="list-style-type: none"> DO NOT CLEAN THE DOOR GASKET. The door gasket is essential for a good seal. Care should be taken not to rub, damage, or move the gasket.
Glass	<ul style="list-style-type: none"> Wash with soap and water or glass cleaner. Use Fantastik®¹ on a clean sponge or paper towel and wipe clean. 	<ul style="list-style-type: none"> Avoid using powder cleaning agents, steel wool pads and oven cleaners.
Painted surfaces	<ul style="list-style-type: none"> Clean with hot soapy water or apply Fantastik®¹ to a clean sponge or paper towel and wipe clean. 	<ul style="list-style-type: none"> DO NOT use powder cleaning agents, steel wool pads and oven cleaners.
Porcelain surfaces	<ul style="list-style-type: none"> Immediately wipe up acid spills like fruit juice, milk, and tomatoes with a dry cloth. When cool, clean with hot soapy water or apply Bon-Ami®¹ or Soft Scrub®¹ to a damp sponge. Rinse and dry. For stubborn stains, use soap-filled pads. 	<ul style="list-style-type: none"> Do not use a moistened sponge/cloth on hot porcelain. It is normal for porcelain to show fine lines with age due to exposure to heat and food soil.
Heat resistant enamel and polished components in the oven cavity	<ul style="list-style-type: none"> Use the self clean function for heavy soiling. 	<ul style="list-style-type: none"> These surfaces can become discolored over time. This is normal and does not affect operation. Do not use scouring pads or abrasive cleaners to treat discolorations.
Stainless steel surfaces	<ul style="list-style-type: none"> Clean with soapy water and soft cloth, then rinse and dry with a soft cloth. Condition steel with stainless steel conditioner. Remove water spots with a cloth dampened with white vinegar. Remove heat discoloration with Bar Keeper's Friend®¹. 	<ul style="list-style-type: none"> Never allow food stains or salt to remain on stainless steel for any length of time. Always wipe or rub in the direction of the grain. Chlorine or chlorine compounds in some cleansers are corrosive to stainless steel. Check the ingredients on the label of the cleanser.
Black stainless surfaces/ anti-fingerprint surfaces	<ul style="list-style-type: none"> Clean with a soft, dry towel. For stubborn dirt, use warm water diluted with a non-abrasive, mild cleansing soap. 	<ul style="list-style-type: none"> Never use stainless steel polish.
Plastic and controls	<ul style="list-style-type: none"> When cool, clean with soapy water, rinse and dry. 	
Printed areas (words and numbers)		<ul style="list-style-type: none"> Do not use abrasive cleaners or petroleum based solvents.

Self clean function

With pyrolytic self cleaning the oven is heated to a very high temperature. Stubborn soil is burnt off and can be wiped out after self clean is finished.

WARNING

The oven becomes very hot during self clean.

- ▶ During the self-clean cycle, exterior surfaces may become hotter than usual. Parts of the appliance may become potentially harmful to children, and to persons who lack adult knowledge of appliances and lack adult reactions to potentially harmful conditions. Keep these individuals away during self-clean and

while the appliance is in use. Care is needed when using other functions.

- ▶ The elimination of soil during self-cleaning may facilitate the emission of small amounts of chemicals or other substances that may be harmful upon sufficient exposure. To minimize exposure to these substances, provide good ventilation with an open window, or use a ventilation fan or hood.
- ▶ For the self-cleaning cycle of your range, remove small animals and birds from the kitchen and surrounding areas. Open a nearby window for additional ventilation. During self-clean, fumes are released that may be harmful.

¹ These marks are registered trademarks of their respective owners. All other trademarks are trademarks of BSH Home Appliances Corporation or its affiliated companies.

During the elimination of soil during self-cleaning, small amounts of carbon monoxide can be created and the fiberglass insulation could give off very small amounts of formaldehyde during the first several cleaning cycles.

- ▶ To minimize exposure to these substances, provide good ventilation with an open window, or use a ventilation fan or hood.

⚠ CAUTION

The oven vents are important for air circulation. Covering the oven vents will cause the oven to overheat. Refer to the appliance overview for the location of the oven vents.

→ "Appliance", Page 11

- ▶ Do not obstruct oven vents.

⚠ WARNING

The oven heats up to a very high temperature during self cleaning. Opening the door can result in injury.

- ▶ When self-cleaning, confirm that the door locks and will not open.
- ▶ If the door does not lock, do not run Self Clean. Contact Customer Service.

⚠ CAUTION

Do not leave food or cooking utensils, etc., in the oven during the pyrolytic self-cleaning mode of operation.

Preparing self clean

⚠ CAUTION

Remove broiler pans, pots, and other utensils and excess spillage before self-cleaning.

Do not leave food or cooking utensils, etc., in the oven during the pyrolytic self-cleaning mode of operation.

NOTICE

Do not clean parts or accessories with the self clean function.

1. Remove all accessories, racks and rack guides from the oven.
2. Wipe out excessive spillage from the oven cavity.

Starting self clean

Requirements

- All heating modes or timers are canceled.
- You have carried out the steps for preparing the oven for self clean.

1. Press **clean** twice.
- ✓ "self" lights up.
2. Press < or > to selected the desired cleaning level.

Intensity	Duration (excluding cool off)
Low For minor impurities	2 hours
Medium For noticeable impurities	3 hours
High For stubborn and persisting impurities	5 hours

3. Press **start**.
- ✓ "door lock" and the cleaning duration are displayed.
4. Check if the door is locked.

Note: Do not use self clean if the oven door does not lock.

5. When the self clean program is finished the door remains locked until the temperature has dropped below 400°F (200°C). After that the oven will go into stand by mode.
6. Wait until the oven cavity has fully cooled down before completing self clean. → Page 28

Completing self clean

When self clean is finished, the oven cools down. The door latch will open automatically when the oven is below 500°F (260°C).

⚠ CAUTION

To avoid risk of burns, let the oven cool down completely before opening the oven door. The oven cavity is still at baking temperatures when the door latch is released after self clean.

1. Press **off** to turn the oven off.
2. Wipe the remaining ash from the oven with a moist cloth.

Note: After self clean is complete, the self clean function will be prevented from running again for a period of 24 hours.

Steam clean function

This function is ideal at removing light soils from the oven cavity.

This function is most effective when used regularly. If the oven cavity has heavy soil use the self clean function instead.

Starting steam clean

1. Pour a maximum of ½ cup of water onto the bottom of the oven cavity.
2. Press **clean** once.
- ✓ "on" lights up.
- ✓ The steam clean timer counts down from 30 minutes.
3. When the steam clean timer has elapsed, continue with subsequent cleaning.

Subsequently cleaning the oven cavity after the cleaning function

Clean the oven cavity manually as soon as it has cooled off after the cleaning function.

NOTICE

Moisture in the oven cavity can cause damage to the surfaces.

- ▶ Remove remaining water from the oven cavity promptly.
- ▶ Do not leave the remaining water in the oven cavity for a long time, for example overnight.
- ▶ Do not operate the appliance when the oven cavity is still wet or damp.

1. Open the appliance door and remove the remaining water with an absorbent sponge cloth.
2. Clean the smooth surfaces in the oven cavity with a dish cloth or a soft brush. Stubborn residues can be removed using a soft scouring pad.
3. Remove limescale with a cloth soaked in vinegar and wipe it with clean water. Rub the oven cavity dry with a soft cloth; also dry under the door seal.
4. Turn the appliance off.
5. Leave the appliance door ajar in the stop position (approx. 30°) for about one hour to allow the enamel surfaces in the oven cavity to dry thoroughly.

Maintenance

Replacing an oven light bulb

When the oven light fails you can replace the light bulbs.

⚠ WARNING

Light socket is live when door is open if main power supply is not turned off.

- ▶ Turn off main power supply at the service panel before changing the light bulbs.

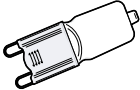
⚠ WARNING

Make sure the appliance and lights are cool and power to the appliance has been turned off before replacing the light bulb(s).

Failure to do so could result in electrical shock or burns.

- ▶ The lenses must be in place when using the appliance.
- ▶ The lenses serve to protect the light bulb from breaking.
- ▶ The lenses are made of glass. Handle carefully to avoid breaking. Broken glass can cause an injury.

Light bulb specifications

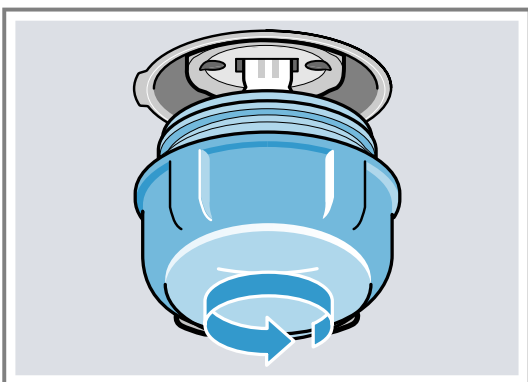
Bulb description	Bulb image
40 Watt, halogen bulb, G9 base, 120 Volts	

Replacing the oven light

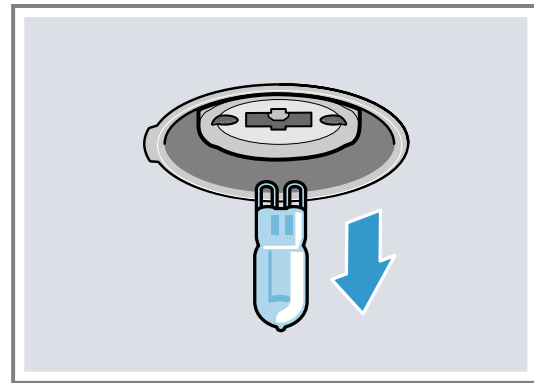
Note: The graphics are representative. Your appliance may have different graphic appearances.

Requirements

- Refer to the oven light bulb chart for the oven light specification of your oven.
 - Follow the safety instructions on replacing a light bulb. → *Page 29*
1. Turn off the power to the oven at the main power supply (fuse or breaker box).
 2. Remove the oven racks.
 3. Turn the glass cover counterclockwise to remove it.



4. Remove the old bulb by grasping and sliding the bulb straight back until the two prongs have cleared the ceramic holder.



5. Do not touch the glass of the new replacement bulb directly as oil from your fingers may cause the bulb to fail prematurely. Instead, grasp the replacement bulb with a clean dry cloth. Locate the two prongs in the ceramic holder, gently poking until the two prongs locate in the ceramic socket.
6. Press in to seat the bulb.
7. Screw the glass cover back on.
8. Turn on the circuit breaker.

Removing the oven door

⚠ WARNING

Failure to follow these instructions when removing the oven door may lead to personal injury or product damage.

- ▶ Make sure oven is cool and power to the oven has been turned off before removing the door. Failure to do so could result in electrical shock or burns.
- ▶ The oven door is heavy and parts of it are fragile. Use both hands to remove the oven door.
- ▶ The door front is glass. Handle it carefully to avoid breakage.
- ▶ Grasp only the side of the oven door. Do not grasp the handle. It may swing in your hand and cause damage or injury. Failure to grasp the oven door firmly and properly could result in personal injury or product damage.
- ▶ To avoid injury from hinge bracket snapping closed, be sure both levers are securely in place before removing the door.
- ▶ Do not force the door open or closed. The hinge could be damaged and cause damage or injury.
- ▶ Do not lay the removed door on sharp or pointed objects as this could break the glass. Lay it on a flat, smooth surface, positioned so that the door cannot fall over.

Without the weight of the door, the powerful springs will snap the hinges closed with great force.

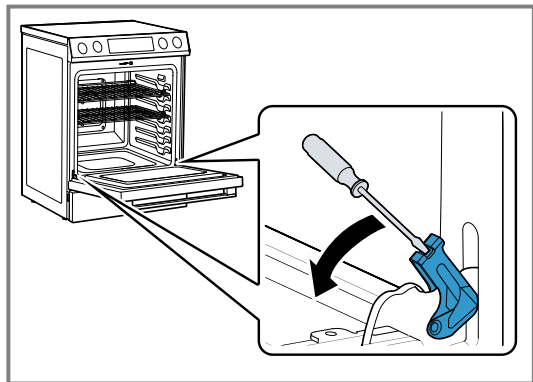
Failure to grasp the oven door firmly and properly could result in personal injury and product damage.

- ▶ Never grab the door near the door hinge/latch or place your hand or fingers near the latch once the door is removed from the hinge receiver.

Note: To avoid injury or damage, make sure that you read the above WARNING before attempting to remove the oven door.

1. Open the oven door to its fully open position.

- Use a flathead screwdriver to rotate the 2 retainers until the stop position.



- Slowly close the door to a 10° angle from the fully closed position, then pull the door away from the oven.
The door is heavy. Use both hands to firmly grip it by the sides. Do not grip the door by the handle.
- Place the door in a convenient and stable location.

- ⚠ WARNING**
There is a risk of injury when refitting the oven door.
 - ▶ Always make sure the hinge retainers are correctly placed in the hinge beds.
 Refit the door in the reverse order in which it was removed.
 - ▶ Check that the door and drawer are parallel to each other and that both operate smoothly.

9.4 Removing the storage drawer

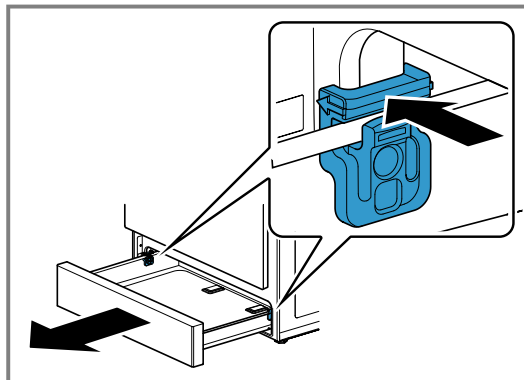
You can remove the storage drawer for easier cleaning.

⚠ WARNING

Hidden surfaces may have sharp edges.

- ▶ Use caution when reaching behind or under appliance.

- Open the storage drawer.
- Simultaneously push the spacer on either side of the drawer backwards in the direction of the arrow.



- Remove the storage drawer completely.
- Once the installation is complete, reattach the drawer by reversing the removal steps.

10 Troubleshooting

You can eliminate minor issues on your appliance yourself. Please read the information on eliminating issues before contacting Customer Service. This may avoid unnecessary repair visits.

⚠ WARNING

To avoid risk of injury from improper repairs, observe the following.

- ▶ Only qualified technicians or authorized service providers should perform repairs.
- ▶ If the power cord or the appliance power cable of this appliance becomes damaged, it must be replaced with a special power cord or special appliance power cable, which is available from the manufacturer or the manufacturer's Customer Service.
- ▶ If the power cord of this appliance is damaged, it must be replaced by trained, specialist personnel.
- ▶ Only genuine spare parts may be used to repair the appliance.
- ▶ If the appliance has an issue, call Customer Service.

10.1 Oven troubleshooting

Error code / error display / signal

Fault	Cause and troubleshooting
e101 - Oven temperature sensor failure	The temperature sensor on the appliance might be malfunctioning. <ol style="list-style-type: none"> Check if the power cord connection is correct. <ul style="list-style-type: none"> ▶ The colors of the power cord wires should match the colors of the wires on the appliance. Turn the appliance off at the circuit breaker and wait five minutes. Turn the circuit breaker back on. If the problem persists, contact Customer Service.
e005 - Communication failure between user interface and power board	An electronics fault has occurred <ol style="list-style-type: none"> Turn the appliance off at the circuit breaker and wait five minutes. Turn the circuit breaker back on. If the problem persists, contact Customer Service.

Fault	Cause and troubleshooting
e011 - Touch sensor failure on oven control panel	There is a failure on a touch sensor. <ol style="list-style-type: none"> 1. Clean the control panel and wipe it dry. 2. Turn the appliance off at the circuit breaker and wait five minutes. 3. Turn the circuit breaker back on. 4. If the problem persists, contact Customer Service.
E302 - Control panel has overheated	The control panel has overheated. <ol style="list-style-type: none"> 1. Check the ambient temperature in the room 2. Check the position of pots. <ul style="list-style-type: none"> ▶ Pot position might influence the temperature on the control panel. 3. Let the appliance cool down. 4. Turn the appliance off at the circuit breaker and wait five minutes. 5. Turn the circuit breaker back on. 6. If the problem persists, contact Customer Service.
e126 - Self clean door lock failure	The door lock on the appliance is malfunctioning. <ol style="list-style-type: none"> 1. Cancel the self clean function. 2. Wait until the door unlocks and start the self clean function again. 3. If the problem persists, contact Customer Service.
e310 - Failure of power board relay supply	There is a power supply failure. <ol style="list-style-type: none"> 1. Check the correct voltage in the house installation. 2. Turn the appliance off at the circuit breaker and wait five minutes. 3. Turn the circuit breaker back on. 4. If the problem persists, contact Customer Service.
e302 - Powerboard has overheated	The power board has overheated.
ERR/toP - Cooktop activation during active Self Clean function	The cooktop has been activated during an active self clean cycle. <ol style="list-style-type: none"> 1. Turn off any active cooking zone. 2. Start the self clean function again.
E100 - Zero cross failure on power board	An electronics fault has occurred <ol style="list-style-type: none"> 1. Turn the appliance off at the circuit breaker and wait five minutes. 2. Turn the circuit breaker back on. 3. If the problem persists, contact Customer Service.

Malfunctions

Fault	Cause and troubleshooting
Oven door is locked and will not open, even after cooling	The door lock is engaged <ol style="list-style-type: none"> 1. Turn the oven off at the circuit breaker and wait five minutes. 2. Turn breaker back on. <ul style="list-style-type: none"> ✓ The oven should reset itself and will be operable.
Oven is not heating	There is no power supply to the appliance <ol style="list-style-type: none"> 1. Check circuit breaker or fuse box to your house. 2. Make sure there is proper electrical power to the appliance. There is no cooking temperature set <ul style="list-style-type: none"> ▶ Set a heating mode temperature.
Baking results are not as expected	The rack position is not ideal <ul style="list-style-type: none"> ▶ Check "Getting the most out of your appliance" for tips and suggestions. → <i>"Getting the best results", Page 22</i>
Food takes longer to cook than expected	The oven temperature needs to be recalibrated Note: The oven is carefully calibrated to provide accurate results. <ul style="list-style-type: none"> ▶ If food is consistently too brown or too light the temperature can be offset. → <i>"Oven temperature offset", Page 21</i>
Food is overcooked	The oven temperature needs to be recalibrated Note: The oven is carefully calibrated to provide accurate results. <ul style="list-style-type: none"> ▶ If food is consistently too brown or too light the temperature can be offset. → <i>"Oven temperature offset", Page 21</i>
Oven light is not working properly	The oven light bulb is loose or burnt out <ul style="list-style-type: none"> ▶ Replace or reinsert the light bulb. → <i>"Replacing an oven light bulb", Page 29</i> Tip: Touching the bulb with fingers may cause the bulb to burn out.

Fault	Cause and troubleshooting
Oven light does not turn off	The oven door does not close properly <ol style="list-style-type: none"> 1. Check the appliance door for obstructions. 2. Check to see if the hinge is bent.
	The oven light is turned on <ul style="list-style-type: none"> ▶ Press the oven light button to turn the oven light off.
Cannot remove lens cover on light	There is soil build-up around the lens cover <ol style="list-style-type: none"> 1. Let the oven cavity cool off. 2. Wipe the lens cover area with a clean, dry towel, then try to remove the lens cover.
Oven is not self-cleaning properly	The oven is too hot to start self clean <ol style="list-style-type: none"> 1. Allow the oven to cool before running self clean. 2. Always wipe out loose soils or heavy spillovers before running self clean. 3. If the oven is heavily soiled, set the maximum self clean time.
Clock and timer are not working properly	There is no power supply to the appliance <ol style="list-style-type: none"> 1. Check circuit breaker or fuse box to your house. 2. Make sure there is proper electrical power to the appliance.
With a new oven there is a strong odor when oven is turned on	This is normal with a new oven and will disappear after a few uses <ul style="list-style-type: none"> ▶ Operate the self clean mode to burn-off the smell more quickly.
Control does not react when a key is touched	The control is wet or soiled <ul style="list-style-type: none"> ▶ Clean the control panel and wipe it dry.
	The touch keys are not pressed correctly <ol style="list-style-type: none"> 1. Press the center of the button. 2. Use the flat part of your finger.
Warm air or steam escapes from oven vent	It is normal to see or feel steam or warm air escaping from the oven vent <p>⚠ CAUTION</p> <p>The oven vents are important for air circulation. Covering the oven vents will cause the oven to overheat. Refer to the appliance overview for the location of the oven vents.</p> <p>→ "Appliance", Page 11</p> <ul style="list-style-type: none"> ▶ Do not obstruct oven vents.
Cooling fan runs even when the oven is turned off	The cooling fan will continue to run, even after the oven has been turned off, until the oven has cooled sufficiently <ul style="list-style-type: none"> ▶ This is normal. There is no action required.

11 Disposal

11.1 Disposal of your old appliance

Environmentally compatible disposal allows valuable raw materials to be recycled.

1. Unplug the appliance from the power supply.

2. Cut through the power cord.

3. Dispose of the appliance in an environmentally responsible manner.
 Information about current disposal methods can be obtained from your specialist dealer or local authority.

12 Customer Service

With any warranty repair, we will make sure your appliance is repaired by an authorized service provider using genuine replacement parts. We use only genuine replacement parts for all repairs.

You can obtain function-relevant and storable genuine spare parts from our Customer Service for up to 15 years from the date on which your appliance was placed on the market.

For more information, please contact our Customer Service team.

Detailed information on the warranty period and terms of warranty can be found in the Statement of Limited Product Warranty, from your retailer, or on our website.

USA:

1-800-944-2904

www.bosch-home.com/us/owner-support/get-support

www.bosch-home.com/us/shop

CA:

1-800-944-2904

www.bosch-home.ca/en/service/get-support

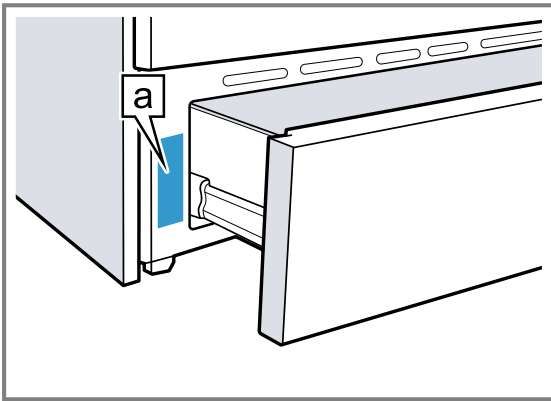
www.bosch-home.ca/en/service/cleaners-and-accessories

12.1 Model number (E-Nr.) and production number (FD)

You can find the model number (E-Nr.) and the production number (FD) on the appliance's rating plate. Making a note of your appliance's details and the Customer Service telephone number will enable you to find them again quickly.

12.2 Rating plate location

You can find the rating plate of your appliance on the oven frame. Open the drawer to view it.



a Rating plate

12.3 Product registration

Register your Bosch product to access information related to your product.

You may register your product through one of the following ways:

- Register your product online at:
 - US: www.bosch-home.com
 - CA: www.bosch-home.ca/en/service/get-support
- Mail in the completed product registration card to the address printed on the card.
- Scan the QR code with your smartphone and follow the prompts:



- Call Bosch Customer Service at 1-800-944-2904. Please make sure to register your product; failure to register will not affect your warranty rights.

13 STATEMENT OF LIMITED PRODUCT WARRANTY

13.1 What this warranty covers & Who it applies to

The limited warranty provided by BSH Home Appliances ("Bosch") in this Statement of Limited Product Warranty applies only to the Bosch appliance sold to you ("Product"), provided that the Product was purchased:

- For your normal, household (non-commercial) use, and has in fact at all times only been used for normal household purposes.
- New at retail from a BSH authorized dealer or directly from BSH (not a display, "as is", or previously returned model), and not for resale, or commercial use.
- Within the United States or Canada, and has at all times remained within the country of original purchase.

The warranties stated herein apply to the original purchaser of the product warranted herein and to each succeeding owner of the product purchased for ordinary home use during the term of the warranty.

Please make sure to register your Product; while not necessary to effectuate warranty coverage, it is the best way for Bosch to notify you in the unlikely event of a safety notice or product recall.

13.2 How long the warranty lasts

Bosch warrants that the Product is free from defects in materials and workmanship for a period of three hundred and sixty-five (365) days from the date of the origi-

nal delivery. The foregoing timeline begins to run upon the date of the original delivery, and shall not be stalled, tolled, extended, or suspended, for any reason whatsoever. This Product is also warranted to be free from **cosmetic** defects in material and workmanship (such as scratches of stainless steel, paint/porcelain blemishes, chips, dents, or other damage to the finish) of the Product, for a period of thirty (30) days from the date of delivery or closing date for new construction. This **cosmetic** warranty excludes slight color variations due to inherent differences in painted and porcelain parts, as well as differences caused by kitchen lighting, product location, or other similar factors. This **cosmetic** warranty specifically excludes any display, floor, "As Is", or "B" stock appliances.

13.3 Repair/replace as your exclusive remedy

During this warranty period, Bosch or one of its authorized service providers will repair your Product without charge to you (subject to certain limitations stated herein) if your Product proves to have been manufactured with a defect in materials or workmanship. If reasonable attempts to repair the Product have been made without success, then Bosch will replace your Product (upgraded models may be available to you, in Bosch's sole discretion, for an additional charge). Nothing in this warranty requires damaged or defective parts to be replaced with parts of a different type or design than the

original part. All removed parts and components shall become the property of Bosch at its sole option. All replaced and/or repaired parts shall assume the identity of the original part for purposes of this warranty and this warranty shall not be extended with respect to such parts. Bosch's sole liability and responsibility hereunder is to repair manufacturer-defective Product only, using a Bosch authorized service provider during normal business hours. For safety and property damage concerns, Bosch highly recommends that you do not attempt to repair the Product yourself, or use a non-authorized service provider; Bosch will have no responsibility or liability for damage resulting from repairs or work performed by a non-authorized service provider. Authorized service providers are those persons or companies that have been specially trained on Bosch products, and who possess, in Bosch's opinion, a superior reputation for customer service and technical ability (note that they are independent entities and are not agents, partners, affiliates or representatives of Bosch). Nevertheless, taking your product to be serviced by a repair shop that is not affiliated with or an authorized dealer of Bosch will not void this warranty. Also, using third-party parts will not void this warranty. Notwithstanding the foregoing, Bosch will not incur any liability, or have responsibility, for the Product if it is located in a remote area (more than 100 miles from an authorized service provider) or is reasonably inaccessible, hazardous, threatening, or treacherous locale, surroundings, or environment; in any such event, if you request, Bosch would still pay for labor and parts and ship the parts to the nearest authorized service provider, but you would still be fully liable and responsible for any travel time or other special charges by the service company, assuming they agree to make the service call. Further, to the extent you have installed the Product in a difficult-to-access location or have otherwise installed temporary or permanent fixtures that create barriers to accessing or removing the Product, Bosch will not incur any liability for, or have responsibility, for work or costs associated with moving the Product or otherwise creating access to the Product in order to repair or replace it. All such costs shall be your sole responsibility.

13.4 Out of warranty product

Bosch is under no obligation, at law or otherwise, to provide you with any concessions, including repairs, prorates, or Product replacement, once this warranty has expired.

13.5 Warranty exclusions

The warranty coverage described herein excludes all defects or damage that are not the direct fault of Bosch, including without limitation, one or more of the following:

- Use of the Product in anything other than its normal, customary and intended manner (including without limitation, any form of commercial use, use or storage of an indoor product outdoors, use of the Product in conjunction with air or water-going vessels).
- Any party's willful misconduct, negligence, misuse, abuse, accidents, neglect, improper operation, failure to maintain, improper or negligent installation, tampering, failure to follow operating instructions, mishan-

dling, unauthorized service (including selfperformed "fixing" or exploration of the appliance's internal workings).

- Adjustment, alteration or modification of any kind.
- A failure to comply with any applicable state, local, city, or county electrical, plumbing and/or building codes, regulations, or laws, including failure to install the product in strict conformity with local fire and building codes and regulations.
- Ordinary wear and tear, spills of food, liquid, grease accumulations, or other substances that accumulate on, in, or around the Product.
- Any external, elemental and/or environmental forces and factors, including without limitation, rain, wind, sand, floods, fires, mud slides, freezing temperatures, excessive moisture or extended exposure to humidity, lightning, power surges, structural failures surrounding the appliance, and acts of God.
- Service calls to correct the installation of your Product, to instruct you how to use your Product, to replace house fuses or correct house wiring or plumbing.
- Removal and replacement of trim or decorative panels that interfere with servicing the Product.
- Damage or defects caused by labor or parts installed by any non-authorized service provider, unless approved by Bosch before service is performed.

In no event shall Bosch have any liability or responsibility whatsoever for damage to surrounding property, including cabinetry, floors, ceilings, and other structures or objects around the Product. Also excluded from this warranty are Products, on which the serial numbers have been altered, defaced, or removed; service visits to teach you how to use the Product, or visits where there is nothing wrong with the Product; correction of installation problems (you are solely responsible for any structure and setting for the Product, including all electrical, plumbing or other connecting facilities, for proper foundation/flooring, and for any alterations including without limitation cabinetry, walls, floors, shelving, etc.); and resetting of breakers or fuses.

TO THE EXTENT ALLOWED BY LAW, THIS WARRANTY SETS OUT YOUR EXCLUSIVE REMEDIES WITH RESPECT TO PRODUCT, WHETHER THE CLAIM ARISES IN CONTRACT OR TORT (INCLUDING STRICT LIABILITY, OR NEGLIGENCE) OR OTHERWISE. THIS WARRANTY IS IN LIEU OF ALL OTHER WARRANTIES, WHETHER EXPRESS OR IMPLIED. ANY WARRANTY IMPLIED BY LAW, WHETHER FOR MERCHANTABILITY OR FITNESS FOR A PARTICULAR PURPOSE, OR OTHERWISE, SHALL BE EFFECTIVE ONLY FOR THE PERIOD THAT THIS EXPRESS LIMITED WARRANTY IS EFFECTIVE. IN NO EVENT WILL THE MANUFACTURER BE LIABLE FOR CONSEQUENTIAL, SPECIAL, INCIDENTAL, INDIRECT, "BUSINESS LOSS", AND/OR PUNITIVE DAMAGES, LOSSES, OR EXPENSES, INCLUDING WITHOUT LIMITATION TIME AWAY FROM WORK, HOTELS AND/OR RESTAURANT MEALS, REMODELLING EXPENSES IN EXCESS OF DIRECT DAMAGES WHICH ARE DEFINITELY CAUSED EXCLUSIVELY BY BOSCH, OR OTHERWISE. SOME STATES DO NOT ALLOW THE EXCLUSION OR LIMITATION OF INCIDENTAL OR CONSEQUENTIAL DAMAGES, AND SOME STATES DO NOT ALLOW LIMITATIONS ON HOW LONG AN IMPLIED WARRANTY LASTS, SO THE ABOVE EXCLUSIONS OR

LIMITATIONS MAY NOT APPLY TO YOU. THIS WARRANTY GIVES YOU SPECIFIC LEGAL RIGHTS, AND YOU MAY ALSO HAVE OTHER RIGHTS WHICH VARY FROM STATE TO STATE.

No attempt to alter, modify or amend this warranty shall be effective unless authorized in writing by an officer of BSH.

13.6 Obtaining warranty service

To obtain warranty service for your product, you should contact Bosch Customer Support at 1-800-944-2904 to schedule a repair.

13.7 Product information

For handy reference, copy the information below from the rating plate. Keep your invoice and/or delivery documents for warranty validation.

Model number (E-Nr.)

Production number (FD)

Date of delivery

Table des matières

1	IMPORTANTES CONSIGNES DE SÉCURITÉ	37		
1.1	Définitions des termes de sécurité	38		
1.2	Informations générales	38		
1.3	Installation et entretien appropriés	38		
1.4	Utilisation sécuritaire	39		
1.5	Sécurité des enfants	42		
1.6	Sécurité des gaz	43		
1.7	Sécurité alimentaire	43		
1.8	Fonction de nettoyage	43		
1.9	Conversion au gaz de pétrole liquéfié	44		
1.10	Installation à haute altitude	44		
1.11	Mises en garde conformément à la proposition 65 de l'État de Californie	44		
2	Prévenir les bris matériels	45		
2.1	Prévenir les dommages à la cavité du four	45		
2.2	Éviter d'endommager la table de cuisson	45		
3	Protection de l'environnement et économies	45		
3.1	Mise au rebut de l'emballage	45		
3.2	Économie d'énergie lors de l'utilisation du four	45		
3.3	Économie d'énergie lors de l'utilisation de la table de cuisson	46		
4	Description de l'appareil	46		
4.1	Électroménager	46		
4.2	Panneau de commande du four	49		
4.3	Panneau de commande de la table de cuisson	50		
5	Accessoires	50		
5.1	Autres accessoires	50		
5.2	Positions des grilles	51		
5.3	Utilisation sûre des grilles de four	51		
5.4	Insertion de la grille métallique	51		
6	Avant la première utilisation	51		
6.1	Lire les consignes de sécurité	51		
6.2	Déballer l'appareil	51		
6.3	Enregistrer un appareil	51		
6.4	Nettoyage de l'appareil avant sa première utilisation	52		
6.5	Mise en service	52		
6.6	Placement du chapeau du brûleur	52		
6.7	Caractéristiques de la flamme	52		
7	Fonctionnement du four	53		
7.1	Modes et fonctions de chauffage du four	53		
7.2	Réglage du mode de chauffage et de la température	54		
7.3	Éteindre le four	54		
7.4	Préchauffage rapide	54		
7.5	Activer ou désactiver le verrouillage du panneau	55		
7.6	Minuterie de cuisine	55		
7.7	Minuterie du four	55		
7.8	Démarrage retardé	55		
7.9	Mode sabbat	55		
7.10	Réglages de base	56		
7.11	Conseils généraux pour les modes de chauffage	57		
7.12	Obtenir les meilleurs résultats	59		
8	Fonctionnement de la table de cuisson	59		
8.1	Ustensile de cuisine	59		
8.2	Allumer un brûleur	60		
8.3	Allumer manuellement un brûleur	60		
8.4	Éteindre un brûleur	61		
8.5	Comportement normal pendant le fonctionnement	61		
8.6	Paramètres de cuisson recommandés	61		
9	Nettoyage et entretien	61		
9.1	Produits de nettoyage	61		
9.2	Nettoyage et entretien de la table de cuisson	62		
9.3	Nettoyage et entretien du four	64		
9.4	Retrait du tiroir de rangement	68		
10	Dépannage	68		
10.1	Dépannage du four	69		
11	Élimination	71		
11.1	Éliminer un appareil usagé	71		
12	Service à la clientèle	71		
12.1	Numéro de modèle (E-Nr.) et numéro de fabrication (FD)	71		
12.2	Emplacement de la plaque signalétique	71		
12.3	Enregistrement de produit	71		
13	ÉNONCÉ DE LA GARANTIE LIMITÉE DU PRODUIT	72		
13.1	Couverture de la garantie limitée	72		
13.2	Durée de la garantie	72		
13.3	Réparation ou remplacement : votre recours exclusif	72		
13.4	Produit hors garantie	72		
13.5	Exclusions de garantie	73		
13.6	Obtention du service de garantie	73		
13.7	Information sur le produit	73		



IMPORTANTES CONSIGNES DE SÉCURITÉ

LIRE ET CONSERVER CES INSTRUCTIONS

Lisez attentivement toutes les instructions avant d'utiliser l'appareil. Afin de réduire les risques d'incendie, d'électrocution et de blessures corporelles lorsque vous utilisez l'appareil, suivez les précautions de base, et notamment les consignes de sécurité suivantes.

⚠ AVERTISSEMENT : Si les directives ne sont pas suivies à la lettre, il y a un risque d'incendie ou d'explosion pouvant entraîner des dommages matériels, des blessures ou un décès.

- Ne pas conserver ou utiliser de l'essence ou d'autres liquides ou vapeurs inflammables à proximité de cet appareil ou de tout autre appareil.
- **QUE FAIRE SI VOUS PERCEVEZ UNE ODEUR DE GAZ**
 - Ne pas essayer de mettre un appareil sous tension.
 - Ne pas toucher d'interrupteur de courant électrique.
 - Ne pas utiliser de téléphones dans l'édifice.
 - Communiquer immédiatement avec le fournisseur de gaz depuis l'appareil téléphonique d'un voisin. Respecter les directives du fournisseur de gaz.
 - S'il s'avère impossible de joindre le fournisseur de gaz, communiquer avec les pompiers.
- Utiliser les services d'un installateur ou d'une agence de services qualifiés ou le fournisseur de gaz pour procéder à l'installation et aux réparations.

⚠ AVERTISSEMENT :

Ne jamais faire fonctionner la surface de la table de cuisson de cet appareil sans surveillance.

- Le non-respect de cet avertissement pourrait entraîner un risque d'incendie, d'explosion ou de brûlure qui pourrait provoquer des dommages matériels, des blessures ou un décès.
- En cas d'incendie, se tenir à l'écart de l'appareil et appeler immédiatement les pompiers.

NE PAS ESSAYER D'ÉTEINDRE UN INCENDIE DE GRAISSE OU D'HUILE AVEC DE L'EAU.



IMPORTANTES CONSIGNES DE SÉCURITÉ

LIRE ET CONSERVER CES INSTRUCTIONS

1.1 Définitions des termes de sécurité

Vous trouverez ici des explications sur les mots de signalisation de sécurité utilisés dans ce manuel.

⚠ AVERTISSEMENT

Signale un risque de mort ou de blessure grave si l'avertissement n'est pas respecté.

⚠ MISE EN GARDE

Signale un risque de blessures mineures ou modérées si l'avertissement n'est pas respecté.

AVIS

Ceci indique que la non-conformité à cet avis de sécurité peut entraîner des dégâts matériels ou endommager l'appareil.

Remarque : Ceci vous signale des informations importantes.

1.2 Informations générales

Vous trouverez ici des informations générales sur ce manuel.

- Veuillez lire attentivement ce manuel.
- Respectez les consignes de sécurité et les avertissements.
- Conservez le manuel et les informations sur le produit dans un endroit sûr pour référence future ou pour le prochain propriétaire.
- Vérifiez que l'appareil n'est pas endommagé après l'avoir déballé. Ne branchez pas l'appareil s'il a été endommagé pendant le transport.

Tous les manuels des produits peuvent être téléchargés en ligne à l'adresse www.bosch-home.ca/fr/service/manuels-utilisateur.

1.3 Installation et entretien appropriés

Voir le manuel d'installation pour les exigences électriques, les instructions de mise à la terre et le dégagement aux exigences en matière de matériaux combustibles.

AVERTISSEMENT

RISQUE DE BASCULEMENT SUR LES CUISINIÈRES



- ▶ Toutes les cuisinières peuvent basculer et entraîner des blessures. Pour éviter tout basculement accidentel de la cuisinière, fixez-la au sol, au mur ou à l'armoire en installant le support anti-basculement fourni.
- ▶ Un enfant ou un adulte peut faire basculer la cuisinière et être tué ou gravement blessé. Vérifiez que le support antibasculement est correctement installé. Assurez-vous que le support anti-basculé est engagé lorsque la cuisinière est déplacée.
- ▶ **NE PAS** faire fonctionner la cuisinière si le support antibasculement n'est pas en place. Non-respect des

instructions de ce manuel peut entraîner la mort ou des brûlures graves pour les enfants et les adultes.

- ▶ Si la cuisinière est déplacée pour le nettoyage, l'entretien ou toute autre raison, assurez-vous que le support anti-basculé est correctement ré-engagé lorsque la cuisinière est remise en place. En cas d'utilisation anormale (telle qu'une personne debout, assise ou appuyée sur une porte ouverte), le non-respect de cette précaution peut entraîner le basculement de la cuisinière. Des blessures peuvent résulter du déversement de liquides chauds ou de la cuisinière elle-même.
- ▶ Vérifiez que le support anti-basculement est correctement installé et utilisé. Inclinez délicatement la cuisinière vers l'avant de l'arrière pour s'assurer que le support anti-basculé s'engage dans la patte de la cuisinière et empêche le renversement. La cuisinière ne doit pas se déplacer de plus de 1 po (2,5 cm).

AVERTISSEMENT

En cas de dysfonctionnement, il peut s'avérer nécessaire de couper l'alimentation.

- ▶ Demandez à l'installateur de vous montrer le disjoncteur ou le fusible. Identifiez sa position pour pouvoir le retrouver facilement.
- Pour éviter les risques d'électrocution, avant de réparer l'appareil, coupez l'alimentation au niveau du panneau de service et verrouillez le panneau pour éviter que l'alimentation ne soit accidentellement activée.
- Installation correcte - Une installation ou une mise à la terre incorrecte peut provoquer un choc électrique.
- ▶ L'appareil doit être correctement installé et mis à la terre par un technicien qualifié.
 - ▶ Raccordez l'appareil uniquement à une prise de courant correctement mise à la terre.
 - ▶ Reportez-vous aux instructions d'installation pour plus de détails.

Entretien par l'utilisateur - Ne réparez ni ne remplacez aucune pièce de l'appareil à moins que ce ne soit spécifiquement recommandé dans ce manuel.

- ▶ Tous les autres services doivent être référés à un fournisseur de services agréé.

La prise d'éclairage est sous tension lorsque la porte est ouverte si l'alimentation principale n'est pas coupée.

- ▶ Coupez l'alimentation électrique principale sur le panneau de service avant de changer les ampoules.

AVERTISSEMENT

S'assurer que l'appareil et l'éclairage sont froids et veiller à couper l'alimentation électrique de l'appareil avant de remplacer la ou les ampoules.

Le non-respect de cette précaution pourrait entraîner un choc électrique ou des brûlures.

- ▶ Les lentilles doivent être en place lors de l'utilisation de l'appareil.
- ▶ Les lentilles servent à protéger l'ampoule de la rupture.
- ▶ Les lentilles sont en verre. Manipulez les lentilles avec précaution pour éviter de les endommager. Les éclats de verre peuvent entraîner une blessure.



IMPORTANTES CONSIGNES DE SÉCURITÉ

LIRE ET CONSERVER CES INSTRUCTIONS

Le non-respect de ces instructions lors du retrait de la porte du four peut entraîner des blessures ou endommager le produit.

- ▶ Avant de démonter la porte, assurez-vous que le four soit froid et que le courant qui l'alimente a été coupé. Le non-respect de cette précaution pourrait entraîner un choc électrique ou des brûlures.
- ▶ La porte du four est lourde et certaines parties sont fragiles. Utilisez les deux mains pour retirer la porte du four.
- ▶ Le devant de la porte est en verre. Manipulez-la avec précaution pour éviter des cassures.
- ▶ Saisir uniquement les côtés de la porte. Ne saisissez pas la poignée. Il peut osciller dans votre main et provoquer des dommages ou des blessures. Si la porte du four n'est pas saisie fermement et correctement, il y a un risque de blessure ou de dommage à l'appareil.
- ▶ Pour éviter toute blessure causée par l'enclenchement du support de charnière, assurez-vous que les deux leviers sont bien verrouillés en place avant de retirer la porte.
- ▶ Ne forcez pas l'ouverture ou la fermeture de la porte pour éviter d'endommager les charnières et de vous blesser.
- ▶ Ne placez pas la porte retirée sur des surfaces ou des objets pointus ou tranchants afin d'éviter de briser le verre ou d'endommager la porte. Posez l'appareil sur une surface plane et lisse où il est solidement positionné afin d'éviter qu'il ne bouge ou ne tombe.

AVERTISSEMENT

La graisse et le gras peuvent s'enflammer lorsqu'elles sont chauffées.

- ▶ Gardez le four exempt de graisse.

AVERTISSEMENT

Les dysfonctionnements peuvent provoquer des blessures.

- ▶ Ne pas utiliser cet appareil électroménager s'il ne fonctionne pas correctement ou s'il a été endommagé. Contactez un prestataire de services agréé.

1.4 Utilisation sécuritaire

AVERTISSEMENT

Lorsqu'il est correctement entretenu, votre nouvel appareil a été conçu pour être sûr et fiable.

- ▶ Lisez toutes les instructions attentivement avant l'utilisation. Ces consignes réduiront le risque de brûlure, d'électrocution, d'incendie et de blessure pour les personnes utilisant l'appareil.
- ▶ Lorsque vous utilisez des appareils électroménagers, il importe de suivre les précautions de sécurité de base, y compris celles indiquées dans les pages suivantes.

AVERTISSEMENT

La cuisson au gaz peut libérer de petites quantités de certains sous-produits, tels que le monoxyde de carbone, le benzène, le formaldéhyde, les oxydes

d'azote (y compris le dioxyde d'azote) et les particules, la suie. Pour minimiser l'exposition à ces substances :

- ▶ Assurez-vous d'avoir toujours une ventilation adéquate en utilisant un ventilateur approprié ou une hotte avec une évacuation vers l'extérieur et/ou une fenêtre ouverte.
- ▶ Faites toujours fonctionner l'appareil en suivant les consignes de ce manuel.
- ▶ Le cas échéant, les brûleurs doivent être vérifiés par un installateur ou une agence certifiés pour assurer une bonne combustion.

AVERTISSEMENT

Les matériaux surchauffés peuvent provoquer un incendie ou des brûlures et peuvent produire des émanations ou fumées potentiellement dangereuses.

- ▶ Pour éviter une surchauffe, allumez la hotte lorsque vous chauffez des graisses ou faites frire quelque chose en utilisant des paramètres de température moyen à haut.
- ▶ Évitez de chauffer des casseroles et des poêles vides.
- ▶ Ne laissez pas les casseroles bouillir à sec.
- ▶ Ne laissez pas du papier d'aluminium, du plastique, du papier ou du tissu entrer en contact avec un élément chaud, un brûleur ou une grille.

AVERTISSEMENT

Pour éviter tout risque d'incendie, ne laissez pas la table de cuisson sans surveillance lorsqu'elle est utilisée. La cuisson sans surveillance peut entraîner des risques d'incendie, des dommages matériels et des blessures. Surveillez toujours la cuisson, en particulier lorsque vous utilisez une chaleur élevée avec des huiles et des graisses. Les débordements peuvent provoquer de la fumée et des résidus de graisses qui peuvent s'enflammer.

AVERTISSEMENT

Réglez la commande du brûleur de sorte que la flamme ne dépasse pas le fond de la casserole.

Veillez à ce que les courants d'air comme ceux des ventilateurs ou des événements à air forcé ne poussent pas les flammes de manière à ce qu'elles dépassent les bords de la casserole.

En cas de panne électrique, seuls les brûleurs de la table de cuisson peuvent s'allumer manuellement.

Si une matière à l'intérieur du four ou un tiroir-réchaud venait à prendre feu, conservez la porte fermée.

- ▶ Éteindre l'appareil et déconnecter le circuit depuis le boîtier de disjoncteurs.

Un incendie pourrait se produire pendant la cuisson.

- ▶ Toujours avoir un détecteur de fumée en état de marche près de la cuisine.
- ▶ Prière d'avoir à portée de main un extincteur d'incendie en bon état de marche, placé visiblement près de l'appareil électroménager et facile d'accès.

NE couvrez JAMAIS les fentes, les orifices ou les canaux de la sole du four, ni ne couvrez toute une grille avec une matière comme du papier d'aluminium.

- ▶ Une telle couverture bloque le débit d'air dans le four et pourrait entraîner une intoxication par monoxyde de carbone.



IMPORTANTES CONSIGNES DE SÉCURITÉ

LIRE ET CONSERVER CES INSTRUCTIONS

- ▶ Utiliser une feuille de papier aluminium pourrait également emprisonner la chaleur, entraînant un risque d'incendie.

Si la table de cuisson est près d'une fenêtre, d'une ventilation à air forcé ou d'un ventilateur, assurez-vous que les matériaux inflammables tels que les couvre-fenêtres ne soufflent pas sur ou près des brûleurs ou des éléments chauffants. Ils pourraient prendre feu. Les incendies de cuisson peuvent se propager s'ils ne s'éteignent pas correctement.

- ▶ Ne jamais utiliser d'eau sur les feux de cuisson.

AVERTISSEMENT

POUR RÉDUIRE LE RISQUE D'UN INCENDIE DE GRAISSE AU-DESSUS DE LA CUISINIÈRE

- ▶ Ne laissez jamais les unités de surface sans surveillance à des réglages élevés - Les débordements provoquent de la fumée et des débordements graisseux qui peuvent s'enflammer. Chauffez l'huile lentement à feu doux ou moyen.
- ▶ Mettez toujours la hotte en marche lorsque vous cuisinez à feu vif ou lorsque vous flambez des aliments (c.-à-d. Crêpes Suzette, cerise Jubilee, bœuf au poivre flambé).
- ▶ Nettoyez régulièrement les ventilateurs. Ne pas laisser la graisse s'accumuler sur le ventilateur ou sur le filtre.
- ▶ Utilisez une taille de casserole appropriée. Toujours utiliser des ustensiles de cuisson adaptés à la taille de l'élément de surface.

AVERTISSEMENT

Des flammes peuvent être aspirées dans le système de ventilation.

- ▶ Dans la mesure du possible, ne mettez pas en marche le système de ventilation pendant un feu de table de cuisson. Toutefois, ne passez pas la main à travers le feu pour l'éteindre.

Les poignées des ustensiles de cuisine doivent être tournées vers l'intérieur et ne pas s'étendre sur les unités de surface adjacentes.

- ▶ Pour réduire le risque de brûlures, d'inflammation de matériaux inflammables et de déversements dus à un contact involontaire avec l'ustensiles de cuisine, la poignée d'un ustensile doit être positionnée de manière à ce qu'il soit tourné vers l'intérieur et ne dépasse pas les unités de surface adjacentes. Pour réduire le risque de brûlures, d'inflammation de matériaux inflammables et de déversements dus à un contact involontaire avec l'ustensile, la poignée d'un ustensiles de cuisine doit être positionnée de manière à ce qu'il soit tourné vers l'intérieur et ne dépasse pas les unités de surface adjacentes.

Portez des vêtements appropriés.

Les vêtements amples ou suspendus, tels que les cravates, les foulards, les bijoux ou les manches pendantes, ne doivent jamais être portés lors de l'utilisation de l'appareil.

- ▶ Attachez les cheveux longs pour qu'ils ne pendent pas.
- ▶ Fixez tous les vêtements amples, etc. avant de commencer.

Utilisez la bonne taille de casserole - Cet appareil est équipé d'une ou plusieurs unités de surface de différentes tailles.

- ▶ Sélectionnez des ustensiles de cuisine dont le fond plat est suffisamment large pour recouvrir le brûleur de l'unité de surface.
- ▶ L'emploi d'un plat de cuisson trop petit expose une partie du brûleur au contact direct et peut ainsi provoquer l'inflammation des vêtements. Une bonne relation entre le plat de cuisson et le brûleur améliorera également l'efficacité.

Pour éviter tout risque d'incendie, ne stockez pas d'articles sur les surfaces de cuisson.

Si des vêtements ou des cheveux s'enflamment, rouler par terre immédiatement pour éteindre les flammes. N'utilisez pas d'eau sur les feux de graisse.

- ▶ Étouffer le feu ou la flamme ou utiliser un extincteur à sec chimique ou à mousse.

Ajustez la taille de la flamme du brûleur afin qu'elle ne dépasse pas le bord de la casserole. Une bonne relation entre les ustensiles de cuisine et la flamme du brûleur réduit les risques pour la sécurité.

MISE EN GARDE

Les événements du four sont importants pour la circulation de l'air. Couvrir les événements du four entraînera une surchauffe du four. Reportez-vous à l'aperçu de l'appareil pour connaître l'emplacement des événements du four.

→ "Électroménager", Page 46

- ▶ Ne pas obstruer les événements du four.

AVERTISSEMENT

Utiliser seulement des maniques sèches - Des maniques mouillées ou humides sur des surfaces chaudes peuvent entraîner en brûlures de vapeur.

- ▶ Ne laissez pas les maniques toucher les éléments chauffants chauds.
- ▶ N'utilisez pas de serviette ou autre chiffon volumineux.

L'huile chaude peut causer des brûlures et des blessures extrêmes.

- ▶ Utiliser les réglages de température élevée sur la table de cuisson, seulement si nécessaire.
- ▶ Pour éviter les bouillons et les éclaboussures, chauffer l'huile lentement à une température qui ne dépasse pas le réglage faible-moyen.
- ▶ Ne jamais déplacer un récipient rempli d'huile chaude, surtout une friteuse. Attendre qu'elle refroidisse.

Les déversements d'aliments chauds peuvent provoquer des brûlures.

- ▶ Tenir la poignée de la casserole en mélangeant ou en retournant l'aliment. Cela aide à prévenir les éclaboussures et les mouvements de la casserole. **NE PAS TOUCHER LES UNITÉS DE SURFACE OU LES ZONES À PROXIMITÉ DES UNITÉS.** Les éléments de surface peuvent être chauds, même s'ils sont foncés. Les zones à proximité des éléments peuvent devenir suffisamment chaudes pour causer des brûlures.
- ▶ Pendant et après l'utilisation, ne touchez pas et ne laissez pas les vêtements, les maniques ou autres



IMPORTANTES CONSIGNES DE SÉCURITÉ

LIRE ET CONSERVER CES INSTRUCTIONS

matériaux inflammables entrer en contact avec les unités de surface ou les zones proches des unités avant d'avoir suffisamment de temps pour refroidir.

Parmi ces zones se trouvent la table de cuisson et les zones faisant face à la table de cuisson.

NE PAS TOUCHER LES ÉLÉMENTS CHAUFFANTS OU LES SURFACES INTÉRIEURES DU FOUR - Les éléments chauffants peuvent être chauds même s'ils sont de couleur sombre. Les parois intérieures d'un four peuvent devenir suffisamment chaudes pour provoquer des brûlures.

► Pendant et après l'utilisation, ne touchez pas et ne laissez pas les vêtements, les maniques ou autres matériaux inflammables entrer en contact avec les éléments chauffants ou les surfaces intérieures du four avant d'avoir suffisamment de temps pour refroidir. Les autres surfaces de l'appareil peuvent devenir suffisamment chaudes pour provoquer des brûlures. Parmi ces surfaces se trouvent les ouvertures de ventilation du four, les surfaces proches de ces ouvertures et les portes du four. Soyez prudent lors de l'ouverture de la porte - Laissez l'air chaud ou la vapeur s'échapper avant de retirer ou remplacer les aliments.

- En se plaçant sur le côté, ouvrir la porte lentement et légèrement pour laisser l'air chaud et/ou la vapeur s'échapper du four.
- Éloigner le visage de l'ouverture et s'assurer qu'aucun enfant ou animal ne se trouve près de l'appareil.
- Une fois l'air chaud et/ou la vapeur sortis, continuer la cuisson.
- Ne pas laisser les portes ouvertes à moins que l'on soit en train de cuisiner ou de nettoyer.
- Ne pas laisser les portes ouvertes sans surveillance. Nettoyez la table de cuisson avec prudence.
- Si une éponge ou un chiffon humide est utilisé pour essuyer les déversements sur une zone de cuisson chaude, veillez à ne pas brûler à la vapeur.
- Certains nettoyeurs dégagent des fumées nocives lorsqu'ils sont appliqués sur une surface chaude.
- Ne pas nettoyer l'appareil pendant qu'il est encore chaud.

Après un déversement ou un débordement, éteignez le brûleur et laissez refroidir la table de cuisson.

- Nettoyez autour du brûleur et des orifices du brûleur.
- Après le nettoyage, vérifiez le bon fonctionnement. Avant d'utiliser un ustensile de cuisson, l'inspecter à la recherche de dommages ou d'usure excessive.

MISE EN GARDE

Soyez prudent lorsque vous cuisinez des aliments à forte teneur en alcool (par exemple rhum, brandy, bourbon) dans le four. L'alcool s'évapore à des températures élevées. Il y a un risque de brûlure car les vapeurs d'alcool peuvent prendre feu dans le four.

- N'utilisez que de petites quantités d'alcool dans les aliments et ouvrez soigneusement la porte du four.
- Placement des grilles du four - Placez toujours les grilles du four dans l'emplacement pendant que le four est froid. Si la grille doit être déplacée alors que le four est chaud, ne laissez pas les maniques entrer en contact avec les éléments chauffants chauds du four.

Soyez prudent lorsque vous retirez les grilles du four de la position la plus basse pour éviter tout contact avec la porte chaude du four.

AVERTISSEMENT

Éviter de se pencher au-dessus de l'appareil.

- Se rappeler que certains vêtements et produits capillaires contiennent des produits chimiques inflammables qui peuvent s'enflammer au contact des éléments de surface ou des brûleurs chauds et causer des blessures graves.

AVERTISSEMENT

Stockage dans ou sur l'appareil - L'utilisation de produits chimiques corrosifs dans le chauffage ou le nettoyage endommagera l'appareil et pourrait entraîner des blessures.

- Les matériaux inflammables, les produits chimiques corrosifs, les vapeurs ou les produits non alimentaires ne doivent pas être stockés ou utilisés dans un four ou sur ou près des unités de surface.
- L'appareil est spécialement conçu pour être utilisé lors du chauffage ou de la cuisson des aliments. Cet appareil électroménager est conçu uniquement pour un usage domestique habituel. Il n'est pas approuvé pour une utilisation en extérieur. Consultez l'énoncé de garantie limitée de produit. Pour toute question, veiller à communiquer avec le fabricant.

AVERTISSEMENT

L'utilisation de cet appareil autrement que pour son utilisation prévue peut provoquer un incendie ou des blessures corporelles.

- N'utilisez cet appareil que pour l'usage auquel il est destiné, comme décrit dans ce manuel.
- N'utilisez JAMAIS vos appareils comme appareil de chauffage pour réchauffer ou chauffer la pièce. Cela pourrait entraîner une surchauffe de l'appareil.
- N'utilisez jamais l'appareil pour le stockage.

AVERTISSEMENT

POUR RÉDUIRE LE RISQUE DE BLESSURES EN CAS D'INCENDIE DE GRAISSE DE CUISINIÈRE, RESPECTER LES INDICATIONS SUIVANTES.

- **FLAMMES PLUS DOUCES** avec un ajustement serré du couvercle, plaque à biscuits ou plateau métallique, puis éteignez le brûleur. **FAIRE ATTENTION AUX BRÛLURES.** Si les flammes ne s'éteignent pas immédiatement, **ÉVACUEZ ET APPELEZ LE SERVICE D'INCENDIE.**
- **NE JAMAIS SOULEVER UNE POÊLE EN FLAMMES** - Vous pourriez vous brûler.
- **NE PAS UTILISER D'EAU**, y compris des torchons ou des serviettes mouillés, cela provoquerait une violente explosion de vapeur.
- Utilisez un extincteur **UNIQUEMENT** si :
 - Vous savez que vous avez un extincteur de classe ABC, et vous savez déjà comment le faire fonctionner.
 - L'incendie est petit et contenu dans la zone où il a commencé.
 - Si vous avez appelé les pompiers.



IMPORTANTES CONSIGNES DE SÉCURITÉ

LIRE ET CONSERVER CES INSTRUCTIONS

- Vous pouvez combattre l'incendie en gardant le dos tourné vers la sortie.

AVERTISSEMENT

Ne chauffez pas et ne réchauffez pas des récipients non ouverts.

L'accumulation de pression peut faire exploser le contenant et provoquer des blessures.

Le fait de ne pas utiliser correctement les boutons peut entraîner des blessures corporelles et des dommages à l'appareil.

Ustensiles de cuisson vitrés - Seuls certains types de verre, verre/céramique, de céramique, de faïence ou d'autres ustensiles vitrés conviennent à la table de cuisson ou au service de cuisinière sans se casser en raison du changement soudain de température.

Les sacs de cuisson ou de rôtissage peuvent exploser.

- ▶ Observez les instructions du fabricant lors de l'utilisation de sacs de cuisson ou de rôtissage.

MISE EN GARDE

Pour éviter d'éventuelles blessures ou dommages à l'appareil, assurez-vous que la grille du four est installée exactement selon les instructions d'installation et non vers l'arrière ou à l'envers.

Ne placez rien sur le fond de la cavité du four. Ne couvrez pas la sole avec une feuille de papier aluminium. Une accumulation de chaleur pourrait endommager l'appareil ou causer des blessures.

AVERTISSEMENT

L'humidité qui pénètre peut occasionner une électrocution.

- ▶ N'utilisez pas de nettoyeur haute pression ou de nettoyeur à vapeur pour nettoyer l'appareil.

Pour éviter tout risque de blessure dû à un appareil ou à un cordon d'alimentation endommagé, observez ce qui suit.

- ▶ Ne mettez pas l'appareil sous tension si l'appareil ou le cordon d'alimentation est endommagé. Cela pourrait causer des blessures.
- ▶ N'utilisez jamais un appareil endommagé.
- ▶ Si l'appareil ou le cordon d'alimentation est endommagé, débranchez immédiatement le cordon d'alimentation ou coupez le disjoncteur dans le boîtier du disjoncteur et coupez l'alimentation en gaz.
- ▶ Communiquer avec le service à la clientèle.
→ Page 71
- ▶ Les réparations de l'appareil ne doivent être effectuées que par un prestataire de services agréés.

AVERTISSEMENT

Si la porte de l'appareil est rayée, le verre peut se fissurer.

- ▶ N'utilisez pas de nettoyants agressifs ou abrasifs ou de grattoirs métalliques tranchants pour nettoyer la vitre de la porte du four, car ils pourraient rayer la surface.

AVERTISSEMENT

Pour éviter toute contamination alimentaire, tout incendie ou toute blessure corporelle :

- ▶ Ne placez pas les aliments directement sur les grilles du brûleur.

- ▶ Utilisez uniquement des ustensiles de cuisine adaptés aux cuisinières à gaz et stables sur les grilles.
- ▶ Surveillez toujours la cuisson pour éviter les débordements, les éclaboussures ou le contact des flammes avec les aliments.

MISE EN GARDE

Pour réduire le risque de contamination et de dommages :

- ▶ Nettoyez toujours les plaques de cuisson et les grilles avant d'y déposer des aliments.
- ▶ Inspectez les accessoires pour détecter tout dommage superficiel avant utilisation.

1.5 Sécurité des enfants

Cet appareil n'est pas destiné à être utilisé par des personnes (y compris des enfants) présentant des capacités physiques, sensorielles ou mentales réduites, à moins qu'elles n'aient été informées de la manière d'utiliser l'appareil par une personne responsable de leur sécurité.

Lorsque les enfants sont assez âgés pour utiliser l'appareil, il incombe aux parents ou tuteurs légaux de veiller à ce qu'ils soient formés aux pratiques sécuritaires par des personnes qualifiées.

Les enfants doivent être surveillés afin de s'assurer qu'ils ne jouent pas avec l'appareil.

AVERTISSEMENT

Ne pas permettre aux enfants d'utiliser cet appareil électroménager à moins d'être étroitement surveillés par un adulte.

- ▶ Les enfants et les animaux domestiques ne doivent pas être laissés seuls ou sans surveillance à un endroit où un appareil électroménager est utilisé. Ils ne doivent jamais jouer à proximité, que l'appareil soit utilisé ou non.

Ne pas laisser quiconque monter, se tenir debout, se pencher, s'asseoir ou se suspendre sur une partie quelconque de l'appareil électroménager, principalement une porte, un tiroir chauffant ou un tiroir de rangement.

- ▶ Cela peut endommager l'appareil et l'appareil peut basculer et provoquer des blessures graves.

MISE EN GARDE

Ne stockez pas les articles qui intéressent les enfants dans des armoires au-dessus d'une cuisinière ou sur le panneau arrière d'une cuisinière.

Les enfants grimper sur la cuisinière pour atteindre des objets pourraient être gravement blessés.

Ne laissez pas les enfants seuls.

- ▶ Les enfants ne doivent pas être laissés seuls ou sans surveillance à un endroit où un appareil électroménager est utilisé.
- ▶ Les enfants ne doivent jamais s'asseoir ou rester debout sur une partie quelconque de l'appareil.
- ▶ Vérifiez toujours l'intérieur du four avant de l'allumer.

AVERTISSEMENT

Pour éviter tout risque d'étouffement :

- ▶ Ne jamais laisser les enfants jouer avec le matériel d'emballage.



IMPORTANTES CONSIGNES DE SÉCURITÉ

LIRE ET CONSERVER CES INSTRUCTIONS

- Conservez les pièces de petite taille dans un endroit sûr, car elles peuvent être avalées facilement.

1.6 Sécurité des gaz

AVERTISSEMENT

Pour éviter l'accumulation de monoxyde de carbone, ne bloquez pas les orifices d'aération de l'appareil.

AVERTISSEMENT

Demandez à l'installateur de vous montrer où se trouve la vanne d'arrêt de gaz.

Si un brûleur s'éteint et que du gaz s'échappe, ouvrez les fenêtres et les portes. Attendez que le gaz se dissipe avant d'utiliser l'appareil.

Si vous sentez des effluves de gaz, l'installateur n'a pas correctement vérifié la présence de fuites. Si les raccordements de son pas parfaitement serrés, vous pouvez avoir une petite fuite et une faible odeur de gaz. Si vous sentez des effluves de gaz, éteindre immédiatement l'appareil et communiquer avec un fournisseur autorisé en réparation pour diagnostiquer le problème. Lisez l'AVERTISSEMENT sur l'odeur de gaz.

→ Page 37

AVERTISSEMENT

Maintenez les ports de l'allumeur propre pour optimiser le rendement du brûleur. Il est nécessaire de nettoyer les ports de l'allumeur après un débordement ou quand le brûleur ne s'allume pas au déclenchement des allumeurs électroniques.

Pour optimiser le rendement du brûleur, gardez les allumeurs propres et secs.

MISE EN GARDE

Tous les allumeurs produisent une étincelle lorsqu'on allume un brûleur quelconque.

- Ne touchez pas les brûleurs lorsque la table de cuisson est en cours d'utilisation.

AVERTISSEMENT

Pour éviter les flambées, toutes les grilles doivent être correctement positionnées sur la table de cuisson chaque fois que la table de cuisson est utilisée. Chacun des pieds doit s'appuyer dans les petites dépressions correspondantes de la table de cuisson.

- Ne pas utiliser une grille si les pieds de caoutchouc sont manquants ou endommagés.

Pour éviter des flambées, ne pas utiliser la table de cuisson sans tous les chapeaux de brûleurs en place et toutes les grilles de brûleur bien positionnées.

AVERTISSEMENT

N'utilisez cet appareil que pour l'usage auquel il est destiné, comme décrit dans ce manuel.

- N'utilisez JAMAIS cet appareil comme radiateur pour chauffer ou réchauffer la pièce. Cela pourrait entraîner une intoxication au monoxyde de carbone et une surchauffe de l'appareil.
- N'utilisez jamais l'appareil pour le stockage.

1.7 Sécurité alimentaire

MISE EN GARDE

Pour préserver la sécurité des aliments, suivre ces recommandations :

- N'utilisez PAS le mode **keep warm** pour réchauffer des aliments froids. Il est sûr d'utiliser le mode **keep warm** pour faire croustiller des craquelins, des chips ou des céréales sèches et pour réchauffer des assiettes.
- Veiller à garder la nourriture à la bonne température. L'USDA recommande de maintenir les aliments chauds à 140 °F (60 °C) ou plus.
- NE PAS laisser les aliments dans le four plus d'une heure avant ou après la cuisson.
- Les récipients en plastique, la pellicule plastique ou le papier d'aluminium peuvent fondre s'ils sont en contact direct avec la surface de la cavité du four ou un récipient de cuisson chaud. S'il fond sur la surface de la cavité du four, il se peut qu'il ne soit pas amovible.

1.8 Fonction de nettoyage

Suivez ces consignes de sécurité lorsque vous utilisez la fonction de nettoyage.

AVERTISSEMENT

Ne pas bloquer les événements du four pendant le cycle d'autonettoyage. Cela pourrait causer des blessures ou endommager l'appareil.

AVERTISSEMENT

Lors de l'élimination des salissures lors de l'autonettoyage, de petites quantités de monoxyde de carbone peuvent être créées et l'isolant en fibre de verre peut dégager de très petites quantités de formaldéhyde au cours des premiers cycles de nettoyage.

- Pour minimiser l'exposition à ces substances, s'assurez d'avoir une bonne ventilation en laissant une fenêtre ouverte, ou utiliser un ventilateur ou une hotte d'aération.

Le four chauffe à très haute température pendant l'autonettoyage. L'ouverture de la porte peut entraîner des blessures.

- Lors de l'autonettoyage, vérifier que la porte est verrouillée et ne s'ouvre pas.
- Si la porte ne se verrouille pas, ne pas lancer le Nettoyage Auto. Communiquez avec le service après-vente.

AVERTISSEMENT

L'extérieur de l'appareil devient très chaud lorsque la fonction de nettoyage est en cours.

- Ne touchez jamais la porte de l'appareil électroménager.
- Laissez refroidir l'appareil.
- Gardez les enfants à une distance sécuritaire.

AVERTISSEMENT

Ne laissez pas de nourriture ou d'ustensiles de cuisine, etc., dans le four pendant le mode de fonctionnement autonettoyant pyrolytique.



IMPORTANTES CONSIGNES DE SÉCURITÉ

LIRE ET CONSERVER CES INSTRUCTIONS

MISE EN GARDE

Retirez les poêles à griller, les casseroles et autres ustensiles et tout déversement excessif avant l'autonettoyage.

MISE EN GARDE

Les oiseaux ont un système respiratoire très sensible.

- ▶ Éloigner les oiseaux de compagnie de la cuisine ou des pièces où la fumée peut les atteindre.
- ▶ Pendant l'autonettoyage, des fumées sont libérées et peuvent être nocives pour les oiseaux.

AVERTISSEMENT

Ne nettoyez pas le joint de la porte : le joint de porte est essentiel pour une bonne étanchéité. Veillez à ne pas frotter, endommager ou déplacer le joint.

AVERTISSEMENT

N'utilisez pas de revêtement protecteur pour recouvrir le four et n'utilisez pas de nettoyeur pour four du commerce.

Nettoyez uniquement les pièces répertoriées dans ce manuel.

Veillez noter que certains animaux domestiques ou humains peuvent être sensibles aux odeurs créées pendant le processus d'auto-nettoyage, qu'il s'agisse de résidus de fabrication brûlés ou d'aliments. Il est recommandé que les personnes potentiellement affectées soient retirées de la cuisine pendant le processus d'auto-nettoyage.

1.9 Conversion au gaz de pétrole liquéfié

AVERTISSEMENT

Si la cuisinière n'est pas installée par un installateur ou un électricien qualifié, des blessures corporelles ou la mort par électrocution peuvent survenir.

Tous les ajouts, modifications ou conversions nécessaires pour que cet appareil réponde de manière satisfaisante aux besoins de l'application doivent être effectués par un technicien qualifié.

Votre modèle de cuisinière à gaz est conçu pour permettre la conversion de LP par un technicien de service qualifié.

- ▶ Avant d'installer la trousse, assurez-vous de suivre attentivement les instructions d'installation LP.

1.10 Installation à haute altitude

Les puissances nominales des appareils sont calculées pour un fonctionnement au niveau de la mer et ne doivent pas être modifiées pour un fonctionnement jusqu'à 2 000 pi (600 m) d'altitude. Pour un fonctionnement à des altitudes comprises entre 2 000 pi (600 m) et 5 400 pi (1 640 m), les puissances nominales sont réduites à raison de 2 % pour chaque tranche de 1 000 pi (300 m) au-dessus du niveau de la mer.

1.11 Mises en garde conformément à la proposition 65 de l'État de Californie

Ce produit pourrait contenir un produit chimique reconnu par l'État de la Californie comme cancérigène ou ayant des effets nocifs sur la reproduction. Par conséquent, vous pourriez devoir apposer l'étiquette suivante sur l'emballage du produit comme requis par la Californie :

AVERTISSEMENT ISSUE DE LA PROPOSITION 65 DE L'ÉTAT DE LA CALIFORNIE :



AVERTISSEMENT

Cancer et dommages à la reproduction -
www.P65Warnings.ca.gov

2 Prévenir les bris matériels

2.1 Prévenir les dommages à la cavité du four

AVIS

La présence d'objets sur le fond de la cavité du four provoquera une accumulation de chaleur. Les temps de cuisson et de rôtissage ne seront alors plus exacts et cela risque d'endommager l'émail.

- ▶ Ne couvrez pas le fond de la cavité du four avec du papier d'aluminium ou du papier sulfurisé.
- ▶ Ne placez pas d'accessoires sur le fond de la cavité du four.

Ne laissez pas le papier d'aluminium dans la cavité du four entrer en contact avec la vitre de la porte, cela pourrait provoquer une décoloration permanente. Ne versez jamais d'eau dans la cavité du four lorsqu'elle est encore chaude. Ne placez jamais d'ustensiles de cuisine contenant de l'eau sur le fond de la cavité du four.

La présence prolongée d'humidité dans la cavité de l'appareil entraîne la corrosion.

- ▶ Laissez sécher la cavité de l'appareil après utilisation.
- ▶ Ne gardez pas longtemps des aliments humides dans la cavité de l'appareil avec la porte fermée.
- ▶ Ne stockez pas d'aliments dans la cavité de l'appareil.

Laisser l'appareil refroidir avec la porte ouverte endommagera le devant des éléments de cuisine voisins au fil du temps.

- ▶ Laissez toujours la cavité de l'appareil refroidir avec la porte fermée après la cuisson à des températures élevées. Ne laissez la cavité de l'appareil sécher avec la porte ouverte que si beaucoup d'humidité a été produite pendant le fonctionnement.

Le jus de fruit qui s'égoutte d'un moule laisse des taches qui ne peuvent pas s'enlever.

- ▶ Lors de la cuisson de tartes aux fruits très juteuses, n'en mettez pas trop sur la plaque à pâtisserie.

Si le joint est très sale, la porte de l'appareil ne se fermera pas correctement lorsque l'appareil est en marche. Cela pourrait endommager l'avant des unités de cuisine adjacentes.

- ▶ Ne faites pas fonctionner l'appareil si le joint est endommagé ou manquant. Ne faites pas fonctionner l'appareil si le joint est endommagé ou manquant.

S'asseoir ou placer des objets sur la porte de l'appareil peut l'endommager.

- ▶ Ne placez pas et ne suspendez pas d'objets sur la porte de l'appareil.
- ▶ Ne placez pas d'ustensiles de cuisine ou d'accessoires sur la porte de l'appareil.

Avec certains modèles, les accessoires peuvent rayer la vitre de la porte lors de la fermeture de la porte de l'appareil.

- ▶ Poussez toujours complètement les accessoires dans la cavité de l'appareil.

Le transport de l'appareil par la poignée de porte pourrait le casser. La poignée de porte ne peut pas supporter le poids de l'appareil.

- ▶ Ne pas porter ou tenir l'appareil par la porte.

2.2 Éviter d'endommager la table de cuisson

AVIS

DÉFAUT DE FONCTIONNEMENT.

- ▶ Tournez toujours le bouton de commande sur la position **off** lorsque l'appareil n'est pas utilisé.

La surchauffe peut endommager la batterie de cuisine.

- ▶ Ne chauffez pas de casseroles ou poêles vides.

Le papier d'aluminium et le plastique fondent sur des brûleurs chauds.

- ▶ Ne laissez pas de papier d'aluminium ou de plastique entrer en contact avec des brûleurs chauds.

Une accumulation de chaleur peut endommager l'appareil.

- ▶ Ne couvrez jamais la table de cuisson, par exemple avec du papier d'aluminium ou des protecteurs de four.
- ▶ Ne placez pas les rôtissoires, les poêles à frire ou les pierres à griller sur plus d'un brûleur à la fois.
- ▶ N'utilisez que les accessoires spécifiés.

Les liquides acides tels que le jus de citron ou le vinaigre peuvent endommager la finition de surface de l'appareil.

- ▶ Retirez immédiatement les liquides renversés. Soyez prudent lorsque les brûleurs sont encore chauds.

La chaleur peut endommager les appareils ou les meubles adjacents.

Si l'appareil fonctionne pendant une période prolongée, de la chaleur et de l'humidité seront générées. Une ventilation supplémentaire est nécessaire.

- ▶ Ouvrez la fenêtre ou allumez une hotte aspirante qui évacue l'air extrait et l'humidité à l'extérieur du bâtiment.

3 Protection de l'environnement et économies

3.1 Mise au rebut de l'emballage

Les matériaux d'emballage sont écologiques et recyclables.

- ▶ Veuillez éliminer les pièces détachées après les avoir triées par matières.

3.2 Économie d'énergie lors de l'utilisation du four

Si vous suivez ces conseils, votre appareil consomme moins d'énergie.

Préchauffez l'appareil uniquement si la recette ou les réglages recommandés vous le demandent.

- ✓ Ne pas préchauffer l'appareil peut réduire l'énergie consommée.

Utilisez des plaques de cuisson de couleur foncée, à revêtement noir ou émaillées.

- ✓ Ces types de moules absorbent particulièrement bien la chaleur.

Ouvrez la porte de l'appareil le moins possible pendant le fonctionnement.

- ✓ Cela maintiendra la température dans la cavité de l'appareil et éliminera le besoin de réchauffer l'appareil.

Lors de la cuisson de plusieurs plats, faites-le successivement ou en même temps.

- ✓ La cavité du four est chauffée après la cuisson du premier plat. Cela réduit le temps de cuisson du deuxième plat.

Si le temps de cuisson est relativement long, vous pouvez éteindre l'appareil 10 minutes avant la fin du temps de cuisson.

- ✓ Il y aura suffisamment de chaleur résiduelle pour terminer la cuisson du plat.

Retirez tous les accessoires non utilisés de la cavité du four.

- ✓ Une casserole supplémentaire sans nourriture affecte le brunissement et la cuisson.

Laissez décongeler les aliments congelés avant de les cuire.

- ✓ Cela permettra d'économiser l'énergie qui serait autrement nécessaire pour le dégivrer.

3.3 Économie d'énergie lors de l'utilisation de la table de cuisson

Si vous suivez ces conseils, votre appareil consomme moins d'énergie.

Sélectionnez un diamètre d'ustensile qui correspond au brûleur. Centrez la casserole sur le brûleur.

Conseil : Les fabricants d'ustensiles de cuisine indiquent généralement le diamètre supérieur de l'ustensile. Le diamètre de la base de la batterie de cuisine est généralement plus petit.

- ✓ L'énergie est destinée à la batterie de cuisine.
- ✓ Si vous utilisez des ustensiles de cuisine trop petits, vous gaspillez de l'énergie. Si la batterie de cuisine est trop grande, beaucoup d'énergie est utilisée pour chauffer la batterie de cuisine.

Fermez la casserole avec un couvercle approprié.

- ✓ Cuire sans couvercle consomme plus d'énergie.

Ne soulevez le couvercle que si nécessaire.

- ✓ Si vous soulevez le couvercle, beaucoup d'énergie peut s'échapper.

Utilisez un couvercle en verre.

- ✓ Si vous utilisez un couvercle en verre, vous pouvez regarder à l'intérieur de l'ustensile sans soulever le couvercle.

Utiliser des ustensiles de cuisson à base solide plate.

- ✓ Les bases incurvées des ustensiles de cuisine augmentent la consommation d'énergie.

Utilisez une taille d'ustensile qui correspond à la quantité d'aliments que vous souhaitez cuire.

- ✓ Les ustensiles de cuisine avec peu de contenu consomment beaucoup d'énergie.

Faites cuire avec un peu d'eau.

- ✓ Plus d'eau nécessite plus d'énergie pour la chauffer.

Sélectionnez un niveau de puissance inférieur dès que possible. Sélectionnez un niveau de puissance adapté pour poursuivre la cuisson.

- ✓ Pour une cuisson en cours, un niveau de puissance inférieur est suffisant.

4 Description de l'appareil

Ce manuel couvre plusieurs modèles. Votre modèle peut avoir certaines des caractéristiques répertoriées, mais pas toutes.

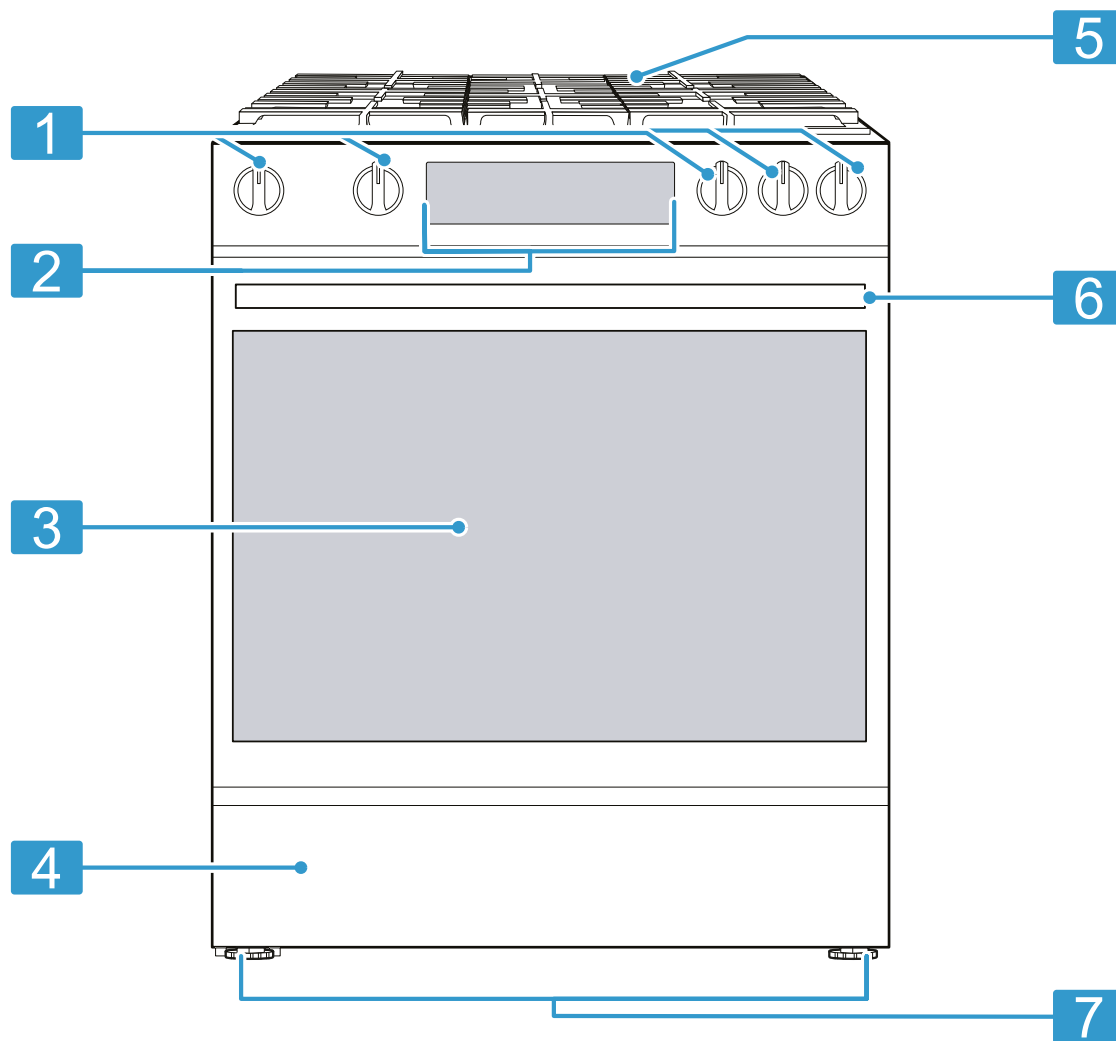
4.1 Électroménager

Cette section contient une vue d'ensemble des composants de votre appareil.

Remarques

- Ce manuel couvre plusieurs modèles. Votre modèle peut avoir certaines des caractéristiques répertoriées, mais pas toutes.

- Les graphiques sont représentatifs. Votre appareil peut avoir des apparences graphiques ou de conception différentes.



- | | |
|---|--|
| 1 | Bandeau de commande de la table de cuisson |
| 2 | Bandeau de commande du four |
| 3 | Porte du four |
| 4 | Tiroir de rangement |
| 5 | Garniture de ventilation arrière/ventilation du four |
| 6 | Poignée de porte |
| 7 | Pieds de la cuisinière |

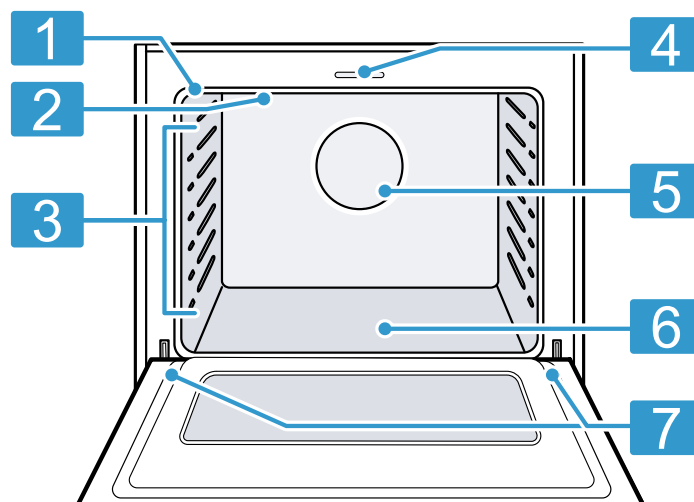
Cavité du four

Vous trouverez ici des informations sur les caractéristiques de la cavité du four.

⚠ MISE EN GARDE

Ne placez rien sur le fond de la cavité du four. Ne couvrez pas la sole avec une feuille de papier aluminium. Une accumulation de chaleur pourrait endommager l'appareil ou causer des blessures.

Composants de la cavité du four



- | | |
|---|---|
| 1 | Joint d'étanchéité de porte |
| 2 | Élément de gril |
| 3 | Rails de four |
| 4 | Verrouillage de porte avec interrupteur |

5 Ventilateur de convection

6 Fond de cavité du four

7 Charnières de porte

Ventilateur de convection

La cuisson par convection utilise un ventilateur pour faire circuler la chaleur du four de manière uniforme et continue dans le four.

Cette distribution de chaleur améliorée permet une cuisson uniforme et d'excellents résultats en utilisant plusieurs grilles en même temps.

Ventilateur de refroidissement

Le ventilateur de refroidissement est en marche dans tous les modes de cuisson.

Le ventilateur peut être entendu lorsqu'il est en marche et de l'air chaud peut être ressenti lorsqu'il sort de l'événement de l'appareil. Le ventilateur peut également fonctionner après l'arrêt de l'appareil.

Événements de four

De l'air chaud peut s'échapper des événements du four avant, pendant et après la cuisson. Il est normal de voir de la vapeur s'échapper des événements, et de la condensation pourrait s'accumuler dans cette zone. Cette zone peut être chaude lorsque le four fonctionne.

⚠ MISE EN GARDE

Les événements du four sont importants pour la circulation de l'air. Couvrir les événements du four entraînera une surchauffe du four. Reportez-vous à l'aperçu de l'appareil pour connaître l'emplacement des événements du four.

→ "Électroménager", Page 46

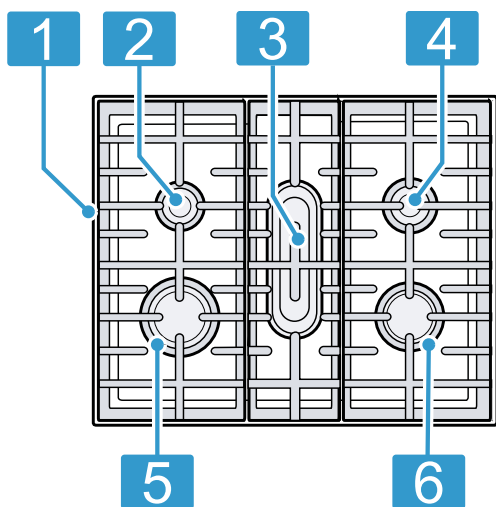
- ▶ Ne pas obstruer les événements du four.

Éclairage de four

Vous pouvez allumer ou éteindre la lumière du four manuellement.

Appuyez sur **oven light** pour allumer ou éteindre la lumière du four.

Brûleurs de table de cuisson



1 Grilles de brûleur

2 Brûleur avant gauche
16000 BTU

3 Brûleur arrière gauche
5000 BTU

4 Brûleur central
9200 BTU

5 Brûleur arrière droit
5000 BTU

6 Brûleur avant droit
12000 BTU

Grilles de brûleur

Placez correctement les grilles du brûleur dans la table de cuisson. Ne jamais faire fonctionner la table de cuisson sans les grilles du brûleur en place.

- Pour la position correcte des grilles du brûleur, reportez-vous à l'image de l'aperçu de l'appareil.
- Placez les ustensiles de cuisine sur les grilles du brûleur. Ne placez jamais d'ustensiles de cuisine directement sur les brûleurs.
- Toujours retirer délicatement les grilles du brûleur. Lorsque vous déplacez une grille de brûleur, les grilles de brûleur à côté peuvent également bouger.

Brûleurs scellés

Votre nouvelle table de cuisson neuve dispose de brûleurs à gaz scellés. Il n'y a aucune pièce de brûleur à nettoyer, démonter ou régler sous la table de cuisson.

Placement du chapeau du brûleur

Il faut que les chapeaux de brûleurs soient correctement positionnés pour le bon fonctionnement de la table de cuisson.

Si le chapeau du brûleur n'est pas correctement placé, une ou plusieurs des situations suivantes peuvent se produire :

- La flamme du brûleur est trop élevée
- Des flammes jaillissent des brûleurs
- Décolorations de l'acier inoxydable
- Les brûleurs ne s'allument pas
- La flamme du brûleur n'est pas uniforme
- Une odeur de gaz se dégage du brûleur

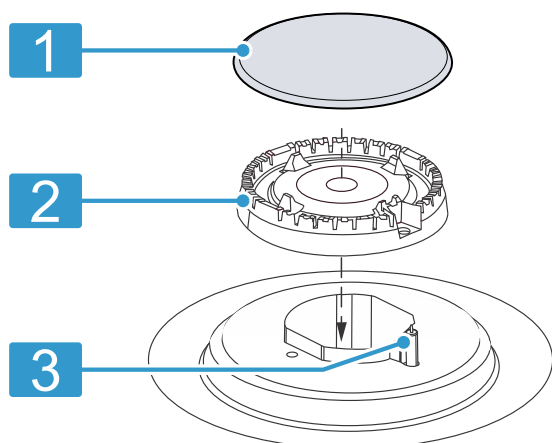
⚠ AVERTISSEMENT

Pour éviter des flambées, ne pas utiliser la table de cuisson sans tous les chapeaux de brûleurs en place et toutes les grilles de brûleur bien positionnées.

⚠ MISE EN GARDE

Pour éviter les brûlures, ne pas toucher aux chapeaux de brûleur ni aux grilles quand ils sont chauds.

- ▶ Éteindre la table de cuisson et laisser les brûleurs refroidir.

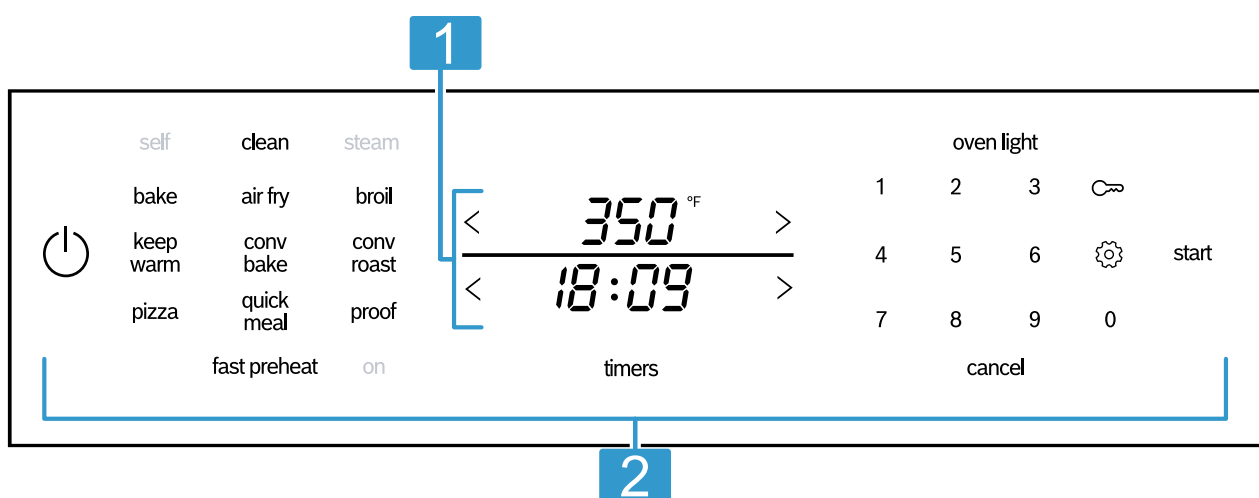


1 Chapeau du brûleur

2 Base du brûleur

3 Allumeur

4.2 Panneau de commande du four



1 Écran du four

2 Touches tactiles

Ce manuel couvre plusieurs modèles. Votre modèle peut avoir certaines des caractéristiques répertoriées, mais pas toutes.

Touches tactiles

Le panneau de commande du four est équipé de touches tactiles. Ces touches sont des zones sensibles au toucher, appuyez légèrement sur les touches pour sélectionner la fonction désignée.

Touche tactile	Fonction
⏻	Interrupteur principal du four
bake	Mode cuisson
air fry	Mode de cuisson à l'air
broil	Mode gril
keep warm	Mode Garder chaud
conv bake	Mode Cuisson à convection
conv roast	Mode rôtissage par convection
pizza	Mode Pizza
frozen foods	Mode aliments surgelés

Touche tactile

Touche tactile	Fonction
quick meal	Mode repas rapide
proof	Mode Levage de pâte
automatique	Mode autonettoyant
clean	Mode nettoyage à la vapeur
fast preheat	Fonction préchauffage rapide
warm zone	Zone de réchauffement de la table de cuisson
timers	Fonctions de minuterie <ul style="list-style-type: none"> ▪ Minuterie de cuisson ▪ Minuterie ▪ Mode Sabbat
oven light	Éclairage de four
start	Démarrer mode
cancel	Annuler mode
0 - 9	Touches du clavier numérique
🔒	Verrouillage du panneau
⚙️	Point de menu des réglages de base
<>	Ajuster les valeurs de temps ou de température

Affichage et indicateurs

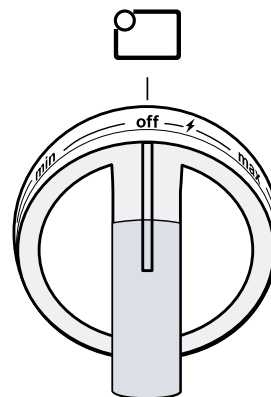
Le panneau de commande est équipé de différents indicateurs et affichages qui indiquent les modes actifs.

Affichage/Indicateur	Signification
350°F	Moitié supérieure de l'affichage Affichage de la température
18:09	Moitié inférieure de l'affichage Affichage de l'heure
am/pm	Heure de la journée matin ou après-midi
cooktop active	La table de cuisson est en cours d'utilisation
self	Mode autonettoyant activé
steam	Mode nettoyage à la vapeur activé
sabbath	Mode Sabbat Actif
door lock	Porte verrouillée
timer	Minuterie de cuisine active
duration	Minuterie de cuisson réglée
delay start	Démarrage retardé actif
panel lock	Panneau verrouillé
on	Mode préchauffage rapide activé
"off"/"min"/"med"/"max"	Réglages de la zone de réchauffement de la table de cuisson

4.3 Panneau de commande de la table de cuisson

La table de cuisson a un bouton de commande pour chaque zone de cuisson. Poussez et tournez vers la droite jusqu'au réglage de l'allumage.

Les repères sur le bouton de commande indiquent les niveaux de puissance disponibles.



Position du bouton

off	Brûleur éteint
⚡	Allumage électronique
min	Niveau de puissance le plus bas
max	Niveau de puissance le plus haut

Positions de brûleur

Les marques à côté de chacun des boutons de commande indiquent quel brûleur ils contrôlent.

Positions de brûleur

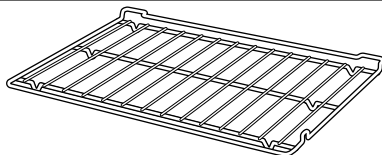
	Brûleur avant gauche
	Brûleur avant droit
	Brûleur central
	Brûleur arrière gauche
	Brûleur arrière droit

5 Accessoires

Utilisez uniquement des accessoires d'origine. Ils ont été spécialement conçus pour votre appareil. Les accessoires fournis peuvent différer selon le modèle d'appareil.

Accessoires

Grille métallique



Utilisation

- Ces grilles peuvent être utilisées pour la plupart des cuissons.
- Vous pouvez utiliser plusieurs grilles en même temps.

Remarque : Ne nettoyez pas en utilisant la fonction **clean**.

5.1 Autres accessoires

Vous pouvez acheter des accessoires supplémentaires auprès du service client, de revendeurs spécialisés ou sur Internet.

Vous pouvez trouver une gamme complète de votre appareil sur Internet ou dans nos brochures:

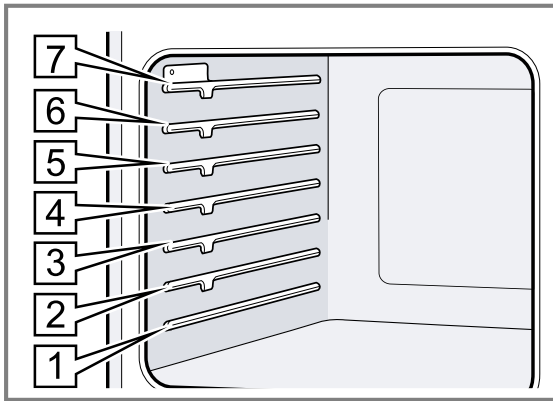
www.bosch-home.com

Les accessoires sont spécifiques à l'appareil. Indiquez toujours la description exacte (n° E) de votre appareil lors de l'achat.

Vous pouvez connaître les accessoires disponibles pour votre appareil dans la boutique en ligne ou auprès du service client.

5.2 Positions des grilles

Votre four a 7 positions de grille. Les positions de grille sont comptées de bas en haut.



Grille position	Idéal pour
7	-
6	Faire griller des steaks de 1 po (2,5 cm), faire griller des hamburgers
5	Griller des steaks de 1 ½ po (4 cm), griller la plupart des viandes et des volailles
4	La plupart des produits de boulangerie et des pizzas surgelées à grille unique, les légumes à rôtir
3	Rôtir du poulet, cuire des tartes fraîches, cuire des pains, cuire des tartes surgelées
2	Rôtir de la dinde, cuire un gâteau des anges, cuire un gâteau au fromage
1	-

5.3 Utilisation sûre des grilles de four

Pour votre sécurité, suivez ces recommandations sur l'utilisation correcte des grilles du four.

6 Avant la première utilisation

Configurez le réglages pour la mise en service initiale. Nettoyez l'appareil et l'accessoire.

6.1 Lire les consignes de sécurité

► → "IMPORTANTES CONSIGNES DE SÉCURITÉ", Page 37

6.2 Déballez l'appareil

Déballer l'appareil et vérifiez l'intégrité de toutes les pièces.

1. Enlevez l'emballage.

⚠ MISE EN GARDE

Placement des grilles du four - Placez toujours les grilles du four dans l'emplacement pendant que le four est froid. Si la grille doit être déplacée alors que le four est chaud, ne laissez pas les maniques entrer en contact avec les éléments chauffants chauds du four. Soyez prudent lorsque vous retirez les grilles du four de la position la plus basse pour éviter tout contact avec la porte chaude du four.

⚠ MISE EN GARDE

Pour éviter d'éventuelles blessures ou dommages à l'appareil, assurez-vous que la grille du four est installée exactement selon les instructions d'installation et non vers l'arrière ou à l'envers.

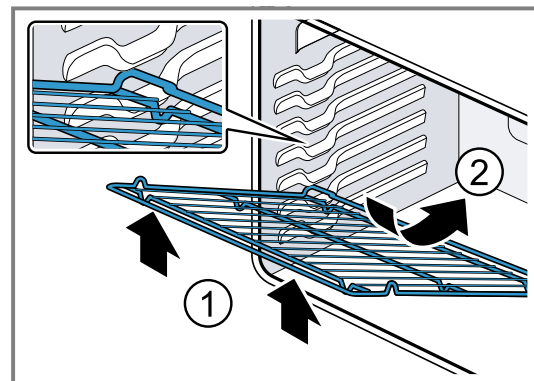
Ne glissez pas d'accessoires entre les grilles, sinon ils risquent de se renverser.

5.4 Insertion de la grille métallique

Exigence : Vous avez lu la recommandation sur .

→ "Utilisation sûre des grilles de four", Page 51

1. Saisissez fermement la grille des deux côtés.
2. Inclinez la grille vers le haut pour permettre l'arrêt dans le guide de la grille ① .
3. Amenez la grille en position horizontale et poussez-la à fond ②.



La grille doit être droite et plate, pas tordue.

2. Retirez les produits d'information de l'intérieur de l'appareil.
3. S'assurer que les pièces n'ont pas été endommagées par le transport.

En cas de réclamation, veuillez vous adresser au revendeur auprès duquel vous avez acquis l'appareil ou auprès de notre service à la clientèle.

→ "Service à la clientèle", Page 71

6.3 Enregistrer un appareil

Enregistrez votre appareil pour profiter de notre offre variée. Cela ne vous engage à rien.

1. Découvrez tous les avantages sur *My Bosch*. Voici les nombreux avantages dont vous profiterez en enregistrant votre appareil :
 - Des rabais dans notre boutique en ligne sur les accessoires correspondants
 - Des trucs et astuces pour utiliser votre appareil

- Le service à la clientèle Bosch à votre entière disposition
 - ...et bien plus encore
2. Pour vous enregistrer, cliquez sur le lien *My Bosch*.
 3. Cliquez sur « s'enregistrer gratuitement ».
 4. Saisissez les données d'enregistrement.
 5. Cliquez sur « Envoyer » et suivez les instructions sur le site Web.

6.4 Nettoyage de l'appareil avant sa première utilisation

Nettoyez la cavité du four et les accessoires avant d'utiliser l'appareil pour préparer des aliments pour la première fois.

1. Retirez tous les matériaux d'emballage de la cavité du four.
2. Avant de chauffer l'appareil, essuyez les surfaces lisses dans la cavité du four avec un chiffon doux et humide et séchez.
3. Gardez la pièce ventilée pendant que l'appareil chauffe.
4. Réglez le mode de cuisson et la température.

Mode de cuisson	bake
Température	475 °F (245 °C)
Durée	30 minutes

5. Éteignez l'appareil après le temps de cuisson spécifié.
6. Attendez le refroidissement de la cavité du four.
7. Nettoyez les surfaces lisses avec un torchon à vaisselle et de l'eau savonneuse.
8. Nettoyez les accessoires avec de l'eau savonneuse et un torchon ou une brosse douce.

Remarque : Il peut y avoir une légère odeur aux premières utilisations. Ceci est normal et disparaîtra.


6.5 Mise en service

Une fois l'appareil raccordé à l'alimentation ou après une coupure de courant, "door lock" est affiché. Après quelques secondes, "door lock" disparaîtra. L'appareil est prêt à être utilisé.

Remarque : N'ouvrez pas la porte du four pendant que "door lock" est allumé.

Réglage de l'horloge

Après avoir branché l'appareil sur l'alimentation électrique, ou après une coupure de courant prolongée, vous devez régler l'affichage de l'heure sur l'heure actuelle.

1. Appuyez sur **start**.
2. Appuyez sur .

6.7 Caractéristiques de la flamme

La couleur de la flamme vous indique si l'alimentation en gaz est correctement réglée.

Remarque : Laissez l'appareil fonctionner pendant 4 à 5 minutes avant d'évaluer la flamme. Des stries jaunes sont normales lors de la première mise en service.

3. Saisir l'heure souhaitée à l'aide du clavier numérique. Les chiffres se remplissent de droite à gauche. Pour entrer 10:45, tapez 1, 0, 4, 5.
4. Appuyez sur **start**.

Remarque : Vous pouvez modifier les paramètres de l'heure à tout moment dans le menu des paramètres de base. → Page 56

6.6 Placement du chapeau du brûleur

Il faut que les chapeaux de brûleurs soient correctement positionnés pour le bon fonctionnement de la table de cuisson.

Si le chapeau du brûleur n'est pas correctement placé, une ou plusieurs des situations suivantes peuvent se produire :

- La flamme du brûleur est trop élevée
- Des flammes jaillissent des brûleurs
- Décolorations de l'acier inoxydable
- Les brûleurs ne s'allument pas
- La flamme du brûleur n'est pas uniforme
- Une odeur de gaz se dégage du brûleur

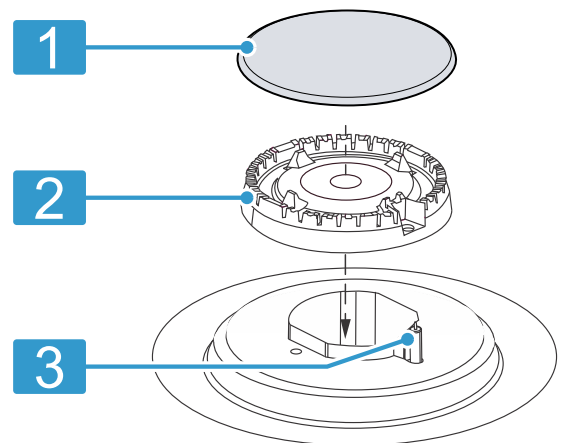
AVERTISSEMENT

Pour éviter des flambées, ne pas utiliser la table de cuisson sans tous les chapeaux de brûleurs en place et toutes les grilles de brûleur bien positionnées.

MISE EN GARDE

Pour éviter les brûlures, ne pas toucher aux chapeaux de brûleur ni aux grilles quand ils sont chauds.

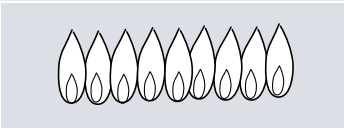
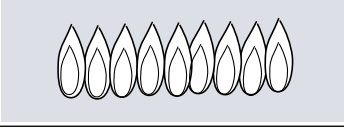
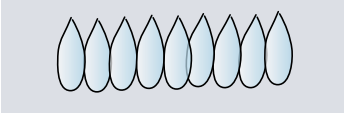
- ▶ Éteindre la table de cuisson et laisser les brûleurs refroidir.



1 Chapeau du brûleur

2 Base du brûleur

3 Allumeur

Flamme	Image	Mesure
Complètement ou principalement jaune		Vérifiez que le régulateur est réglé pour le bon carburant. Recommencez le test après le réglage.
Pointes jaunes sur les cônes extérieurs :		Normales pour un gaz de pétrole liquéfié
Bleu doux		Normales pour le gaz naturel

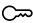
7 Fonctionnement du four

Vous trouverez ici tout ce que vous devez savoir sur le fonctionnement de votre four.


7.1 Modes et fonctions de chauffage du four

Vous trouverez ici une liste des modes de chauffage et d'autres fonctionnalités de votre appareil.

Touche tactile	Mode / fonction de chauffage	Valeur par défaut / Plage de température en °F (°C)	Comment cela fonctionne et à quoi il sert
bake	Cuisson	350 / 175-550 (175 / 80-290)	Cuit les aliments avec de l'air chaud et sec. Pour une variété d'aliments, tels que gâteaux, biscuits, pâtisseries, pains rapides, quiches et casseroles.
broil	Griller à haute intensité Faire griller à faible intensité	LO (BAS) / HI (HAUT) Par défaut : HI (HAUT)	À utiliser pour les coupes tendres de viande de 1 po (2,5 mm) ou moins, la volaille, le pain à dorer et les casseroles.
conv bake	Cuisson à convection	325 / 175-550 (165 / 80-290)	Similaire à la cuisson au four, mais l'air est mis en circulation par un ventilateur à l'arrière du four. Idéal pour les produits boulangers comme les gâteaux, les pains de maïs, les tartes, les pains éclair, les tourtes et les pains à la levure.
conv roast	Rôtissage par convection	325 / 175-550 (160 / 80-285)	Utilise une chaleur intense et de l'air circulé par un ventilateur. Pour les morceaux tendres de viande et de volaille et les légumes rôtis. Les viandes sont plus juteuses et humides que les résultats avec le mode rôti.
keep warm	Garder au chaud	150 / 140-210 (65 / 60-100)	Maintien une faible température pour maintenir les aliments chauds. Idéal pour les lasagnes surgelées, les pizzas surgelées, les viandes et les plats cuisinés → "Comment utiliser le mode keep warm ", Page 59
pizza	Pizza	425 / 300-550 (220 / 150-290)	La chaleur est diffusée dans tout le four par le ventilateur de convection. Utilisez pour la pizza fraîche ou surgelée.
proof	Fermentation	100 / 100 (40 / 40)	Maintient l'environnement chaud et sans courants d'air nécessaire à la fermentation des produits à base de levure.

Touche tactile	Mode / fonction de chauffage	Valeur par défaut / Plage de température en °F (°C)	Comment cela fonctionne et à quoi il sert
frozen foods	Aliments surgelés	325 / 265-480 (165 / 130-250)	Répartit uniformément la chaleur dans toute la cavité du four. Ne nécessite pas de préchauffage. Pour les plats cuisinés surgelés comme les bâtonnets de poisson et les pépites de poulet.
air fry	Frit à l'air	425 / 300-500 (220 / 150-260)	Utilise de l'air chaud pour des résultats croustillants sans toute l'huile. Pour les aliments emballés et prêts à consommer comme les ailes épicées ou les frites.
quick meal	Repas rapide	325 / 265-480 (165 / 130-250)	Répartit uniformément la chaleur dans toute la cavité du four. Ne nécessite pas de préchauffage. Pour les plats cuisinés surgelés comme les bâtonnets de poisson et les pépites de poulet.
self clean	Auto-nettoyage pyrolytique		Le four atteint une température élevée pour brûler le sol des aliments. La porte est verrouillée pendant l'auto-nettoyage. "door lock" est affiché.
steam clean	Nettoyage à la vapeur		Mode de nettoyage assisté à la vapeur.
sabbath	Mode Sabbat	350 / 175-425 (175 / 80-220)	Le mode Sabbat permet à ceux de confessions particulières d'utiliser leurs fours le jour du sabbat.
timers	Minuterie du four		La minuterie du four est une minuterie à compte à rebours qui, lorsqu'elle atteint 00:00, éteint le four et arrête le mode actuel. La minuterie du four est utilisée pour définir la durée de fonctionnement d'un mode. → "Minuterie du four", Page 55
timers	Minuterie de cuisine		La minuterie de cuisine est une minuterie à compte à rebours qui n'a aucun effet sur le chauffage du four. La minuterie de cuisine est utilisée pour les besoins de chronométrage des tâches ménagères d'ordre général.
	Verrouillage du panneau		Activez le verrouillage du panneau pour empêcher toute opération involontaire.

7.2 Réglage du mode de chauffage et de la température

- Appuyez sur  pour allumer le four.
 - Les touches tactiles disponibles s'allument.
- Appuyez sur la touche tactile pour le mode de chauffage souhaité.
 - La touche du mode de chauffage et **start** s'allument plus intensément.
 - La température par défaut clignote dans la partie supérieure de l'écran.
- Si vous le souhaitez, entrez une température à l'aide des touches < ou > ou du pavé numérique.
- Appuyez sur **fast preheat**, si vous voulez préchauffer le four plus rapidement.

Remarque : Vous pouvez définir dans le menu des paramètres de base, si **fast preheat** est appliqué automatiquement ou non.
- Appuyez sur **start**.
 - fast preheat "on"** s'affiche jusqu'à ce que la température réglée soit atteinte.

7.3 Éteindre le four

- Appuyez sur **cancel**.
 - Le four s'éteint et l'horloge est *Err* affiché.
- Appuyez de nouveau **cancel**.
 - L'écran passe en mode veille.

Remarque : Si vous n'appuyez pas une deuxième fois sur **cancel**, l'écran passe automatiquement en mode veille après quelques minutes.

7.4 Préchauffage rapide

Avec **fast preheat**, vous pouvez raccourcir le temps de préchauffage.

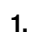

fast preheat est disponible pour les modes de chauffage suivants.

- **bake**
- **conv bake**
- **conv roast**
- **pizza**

fast preheat est préréglé pour démarrer automatiquement. Vous pouvez modifier ce réglage dans le menu des paramètres de base. Pour démarrer **fast preheat** manuellement, appuyez sur **fast preheat** avant de démarrer le mode de chauffage.

7.5 Activer ou désactiver le verrouillage du panneau

Le verrouillage du panneau permet d'éviter toute opération involontaire en désactivant toutes les touches tactiles du panneau de commande du four.

1. Appuyez et maintenez  pendant 3 secondes.
 - ✓ Les touches tactiles ne répondent pas. Un bip sonore est émis lorsque l'on appuie sur une touche tactile.
2. Appuyez sur  et maintenez à nouveau pendant 3 secondes pour désactiver le verrouillage du panneau.

Remarque : Lorsque le verrouillage du panneau est actif, les commandes de la table de cuisson peuvent toujours être utilisées normalement.

7.6 Minuterie de cuisine

La minuterie de cuisine est une minuterie à compte à rebours qui n'a aucun effet sur le chauffage du four. La minuterie de cuisine peut être utilisée lorsque l'appareil est désactivé, ou lorsqu'un mode de chauffage est actif.

Réglage de la minuterie de cuisine

1. Appuyez sur **timers** à plusieurs reprises jusqu'à ce que "timer" s'allume.
2. Saisissez la durée souhaitée à l'aide du clavier numérique.
3. Appuyez sur **timers** pour confirmer.
 - ✓ La minuterie commence le compte à rebours.
 - ✓ Une fois le temps écoulé, une alarme retentit.

Annuler la minuterie de cuisine

1. Appuyez sur la touche **timers** à plusieurs reprises jusqu'à ce que "timer" commence à clignoter sur l'affichage.
2. Appuyez sur **cancel**.

7.7 Minuterie du four

Si vous réglez une minuterie du four, le four arrête de chauffer automatiquement une fois ce temps écoulé.

Réglage de la minuterie du four

Vous pouvez régler une minuterie de cuisson avant de lancer le mode chauffage ou pendant que le mode chauffage est en cours.

1. Appuyez sur **timers**.
 - ✓ "duration" s'allume sur l'écran.
2. Saisissez la durée de cuisson souhaitée à l'aide du pavé numérique.
3. Appuyez sur **start**.
 - ✓ La minuterie du four démarre le compte à rebours.
 - ✓ Lorsque la minuterie du four est écoulée, le mode de chauffage est désactivé.

Annulation de la minuterie du four

1. Appuyez sur la touche **timers** à plusieurs reprises jusqu'à ce que "duration" commence à clignoter sur l'affichage.
2. Appuyez sur **cancel**.

7.8 Démarrage retardé

Avec cette fonction, vous pouvez programmer votre four pour démarrer un mode de chauffage à une heure prédéterminée.

MISE EN GARDE

La nourriture peut se gâter lorsqu'elle est laissée sur place trop longtemps.

- ▶ Pour préserver la sécurité alimentaire, ne pas laisser les aliments dans le four plus d'une heure avant ou après leur cuisson.

Régler le démarrage retardé

1. Réglez le mode de chauffage et la température souhaités.
2. Appuyez deux fois sur **timers**.
 - ✓ "delay start" s'allume à l'écran.
3. Régler l'heure de démarrage souhaitée avec les touches numérotées.
4. Appuyez sur **start**.
 - ✓ Après la période d'attente, le four commence à chauffer.

Remarque : Si vous appuyez à nouveau sur **start**, le mode de chauffage démarre instantanément.

Annulation du démarrage retardé

1. Appuyez sur la touche **timers** à plusieurs reprises jusqu'à ce que "delay start" clignote sur l'affichage.
2. Appuyez sur **cancel**.

7.9 Mode sabbat

Le mode Sabbat permet à ceux de confessions particulières d'utiliser leurs fours le jour du sabbat.

- Le mode Sabbat n'est disponible qu'en mode **bake**.
- Vous pouvez régler une température entre 175 °F (80 °C) et 425 °F (220 °C).
- Vous pouvez définir une durée pouvant aller jusqu'à 74 heures.

Comportement du four en mode sabbat

Lorsque le mode Sabbat est activé, le four se comporte de la manière suivante.

- Le temps de cuisson et la température ne peuvent pas être modifiés.
- Tous les signaux sonores sont désactivés.
- La lumière du four est éteinte et ne s'allume pas lorsque la porte du four est ouverte.
- Après une coupure de courant, l'appareil repasse en mode sabbat sans chauffer. Le compte à rebours de la minuterie recommence à partir de 74 heures.
- Lorsqu'un message d'erreur est déclenché, le mode de chauffage est désactivé. Un message d'erreur s'affiche, mais aucun signal sonore n'est émis.

Réglage du mode Sabbat

1. Appuyez sur .

2. Appuyez sur < ou > dans la moitié supérieure de l'affichage jusqu'à ce que "sabbath" s'allume.
3. Appuyez sur < ou > dans la moitié inférieure de l'affichage jusqu'à ce que $\overline{0}$ s'affiche.
4. Appuyez sur **start**.
 - ✓ "sabbath" commence à clignoter.
 - ✓ La température par défaut de 350°F est affichée dans la moitié supérieure de l'écran, et la durée par défaut de 48 h est affichée dans la moitié inférieure de l'écran.
5. Ajustez la température et la durée avec < ou > si vous le désirez.
6. Appuyez sur **start**.
 - ✓ Après 30 secondes, le four commence à chauffer et le temps commence à s'écouler.
 - ✓ Une fois le temps de cuisson écoulé, le four s'éteint automatiquement.

Remarque : Vous pouvez annuler le mode Sabbat à tout moment en appuyant sur **cancel**.

7.10 Réglages de base

Vous pouvez modifier les réglages de base de votre appareil en fonction de vos besoins.

Présentation des paramètres de base

Cette section contient une vue d'ensemble des réglages de base et d'usine. Les réglages de base dépendent de l'équipement de votre appareil.

Affichage	Réglage de base	Valeurs disponibles
SEt time / "am/pm"	Temps de la journée	Saisissez la durée sur le pavé numérique, les chiffres se remplissent de droite à gauche. "am/pm" change automatiquement lorsque la durée dépasse 12:00.
Vol	Volume	<ul style="list-style-type: none"> ■ _ : faible ■ = : moyen ■ ≡ : élevé¹ ■ "off" : tous les sons désactivés
brh	Luminosité de l'écran	<ul style="list-style-type: none"> ■ _ : faible ■ = : moyen ■ ≡ : élevé¹
SEt	Unité de température	<ul style="list-style-type: none"> ■ °F¹ ■ °C
Preh preheating	Préchauffage rapide automatique Le préchauffage automatique est automatiquement activé.	<ul style="list-style-type: none"> ■ On: Allumé¹ ■ Off: Éteint
SEt sabbath	Mode Sabbat	<ul style="list-style-type: none"> ■ On: Allumé ■ Off: Éteint
ACC	Conversion automatique à la convection Convertit les températures de cuisson normales en températures de cuisson par convection. Pour plus d'informations, voir	<ul style="list-style-type: none"> ■ On: Allumé ■ Off: Éteint¹
OFF°F	Écart de température Règle la température de base de votre four. Pour plus d'informations, voir → "Décalage de la température du four", Page 57	Appuyez sur < ou > pour saisir une valeur comprise entre -30°F et +30°F. Réglage par défaut = 0
Fct	Réinitialiser aux réglages d'usine	<ul style="list-style-type: none"> ■ rES: Réinitialiser aux réglages d'usine ■ OFF: Conserver les paramètres actuels

Modification des réglages de base

1. Appuyez sur \odot pour accéder au menu des paramètres de base.
2. Appuyez sur < ou > sur la moitié supérieure de l'affichage pour parcourir la liste des paramètres de base.

¹ Réglage usine

3. Appuyez sur < ou > dans la moitié inférieure de l'affichage pour parcourir la liste des paramètres de base.
 4. Appuyez sur **start** pour confirmer le paramètre sélectionné.
Utilisez le clavier numérique pour entrer des valeurs numériques si nécessaire :
 - Lors du réglage de l'heure, les chiffres se remplissent de droite à gauche.
 - Lors de la saisie d'une température pour le décalage de température et le mode Sabbat, les valeurs sont arrondies à 5.
- ✓ La nouvelle valeur est automatiquement acceptée lorsque l'affichage repasse du mode édition au mode veille.

Décalage de la température du four

Le four est calibré de manière à offrir des résultats précis. La fonction est utile si vous préférez des aliments plus ou moins dorés.

- Lorsqu'une valeur compensée est saisie, la température réelle du four est augmentée ou diminuée de cette valeur.
- Ne pas utiliser les thermomètres de cuisson résidentiels pour mesurer les températures du four, car elles fluctueront au gré de la cuisson.
- Vous pouvez définir un décalage de température par rapport à la ligne de base d'usine. Chaque fois que vous appelez l'option de décalage de température dans le menu des paramètres de base, la température de référence d'usine est restaurée afin que vous puissiez définir une nouvelle valeur de décalage.

Conversion de convection automatique

Le mode de cuisson par convection nécessite une réduction de 25°F de la température. La conversion automatique par convection réduit la température que vous entrez automatiquement.

- Entrer simplement la température de la recette ou indiquée sur l'emballage lors du réglage du mode. La commande calcule la bonne température et l'affiche à l'écran.

7.11 Conseils généraux pour les modes de chauffage

Comment utiliser le mode bake

Utilisez le mode **bake** pour préparer une variété d'aliments, des pâtisseries aux casseroles. Consultez les conseils de préparation de la recette ou de l'emballage pour connaître les températures et les temps de cuisson.

Remarque

- Pour de meilleurs résultats, reportez-vous à la section relative aux recommandations concernant le niveau de la grille.
→ "*Positions des grilles*", Page 51
- Préchauffez complètement le four avant de cuire des objets comme des gâteaux, des biscuits et du pain.
- Utilisez la fonction de cuisson par convection pour de meilleurs résultats lors de la cuisson des biscuits sur plusieurs grilles.

- Laisser au moins 2 po (5 cm) d'espace entre les ustensiles de cuisson pour une bonne circulation de l'air.
- Les ustensiles de cuisson foncés ou ternes absorbent plus de chaleur que les ustensiles de cuisson brillants, ce qui donne des aliments brunis ou trop dorés. Il peut être nécessaire de réduire la température du four ou le temps de cuisson pour éviter la coloration excessive de certains aliments.
- Des moules brillants sont recommandés pour les gâteaux, les biscuits et les muffins.
- N'ouvrez pas souvent la porte du four. L'ouverture de la porte réduira la température du four et peut augmenter le temps de cuisson.
- Pour les gâteaux, décalez les moules de manière à ce que l'un ne soit pas directement au-dessus de l'autre.

Comment utiliser le mode conv bake

Utilisez le mode **conv bake** pour préparer de la viande, des pâtisseries et des légumes sur une seule grille ou sur plusieurs grilles simultanément.

Ce système associe des radiateurs à un ventilateur, ce qui le rend plus rapide qu'un système conventionnel.

Remarque

- Niveaux de cuisson recommandés :
 - Pour la cuisson à un seul niveau d'aliments plats (pâtisserie) 4
 - Pour la cuisson à un seul niveau de gros morceaux (viande) : 2 ou 3; pour la cuisson à plusieurs niveaux : 2 et 5
- Mettez les aliments dans des moules peu profonds, non couverts, telles des plaques à biscuit sans rebords.
- Si plus d'un plat cuit sur une grille, laissez environ 1 à 1,5 po (2,5 à 4 cm) d'espace entre les plats.
- Laisser au moins 2 po (5 cm) d'espace entre les ustensiles de cuisson pour une bonne circulation de l'air.
- Pour les gâteaux, décalez les moules de manière à ce que l'un ne soit pas directement au-dessus de l'autre.

Comment utiliser le mode pizza

Remarque

Suivez ces recommandations :

- Il se peut qu'il ait une légère diminution du temps de cuisson. Vérifiez la durée minimale inscrite sur l'emballage.
- Lors de la cuisson d'une pizza surgelée : Pour une croûte croustillante, placez-la directement sur la grille. Pour obtenir une croûte plus molle, utilisez une plaque à pizza.
- Pour un brunissement plus profond ou une croûte plus croustillante, utilisez le niveau 1 de la grille.
- Si vous faites cuire à blanc une pâte à pizza faites à la main, piquez le fond avec une fourchette avant de la mettre au four.
- Si vous utilisez un moule à pizza, choisissez un moule foncé muni de trous pour obtenir une croûte plus croustillante et un moule non troué pour obtenir une croûte plus molle.
- Faites préchauffer les pierres à pizza au four en suivant les recommandations du fabricant pendant.

- Faites cuire les pizzas maison au centre de la grille et placez celles-ci en position 2.
- Pour les pizzas congelées, observez les recommandations du fabricant.

Comment utiliser le mode conv roast

Utilisez le mode **conv roast** pour rôtir les volailles et les viandes entières sur une seule grille.

Il s'agit d'un mode de chauffage combiné. L'air chaud circule uniformément autour des aliments et les éléments chauffants diffusent uniformément la chaleur, ce qui contribue à obtenir une croûte croustillante et un cœur juteux. Ce mode de chauffage associe des radiateurs à un ventilateur, ce qui le rend plus rapide que les modes de chauffage conventionnels.

Remarque

- Pour de meilleurs résultats, reportez-vous à la section relative aux recommandations concernant le niveau de la grille.
→ "*Positions des grilles*", Page 51
- Il n'est pas nécessaire de préchauffer le four.
- Utilisez la température exacte indiquée sur la recette.
- Vérifiez la cuisson au début car la durée de rôtissage peut être écourtée.
- Utilisez un plat à rôtir avec une grille, un lèche frite ou un plat peu profond, à découvert, doté d'une grille pour le rôtissage.
- Utilisez un thermomètre à viande pour déterminer la température interne de celle-ci.
- Si la viande est dorée à votre goût, mais n'est pas encore terminée, du papier d'aluminium peut être placé sur la viande pour éviter la coloration excessive.
- Une fois la viande sortie du four, la couvrir avec du papier d'aluminium et laisser reposer de 10 à 15 minutes.
- Lors de la cuisson de grosses viandes (par exemple, une dinde de plus de 10 lb), n'utilisez pas la position de grille la plus basse.

Comment utiliser le mode broil

Le mode **broil** est destiné à la cuisson d'aliments plats, tels que le pain grillé, les sandwichs ouverts, les hamburgers, les saucisses grillées, les steaks, les poissons, etc. ou pour le gratin.

Remarque

- Utilisez **broil HI** pour griller de grandes quantités d'aliments plats comme des toasts, des sandwichs ouverts, des saucisses grillées, du poisson, des brochettes, etc., cuire au grill et faire dorer la croûte.
- Utilisez **broil LO** pour griller le poulet et les fruits de mer.
- Faites toujours griller avec la porte du four fermée.
- Préchauffez le four pendant 3 à 4 minutes. Ne préchauffez pas plus de 5 minutes.
- Pour le rôtissage, utiliser un plat à rôtir et une lèche-frite ou un plat profond doté d'une plaque-gril en métal.
- Ne recouvrez pas la grille avec du papier d'aluminium. Elle est conçue pour évacuer les graisses et les huiles de la surface de cuisson afin d'éviter la fumée et les éclaboussures.

- Retournez les viandes une fois pendant le temps de cuisson recommandé. Le poisson n'a pas besoin d'être retourné.
- N'utilisez jamais de verre résistant à la chaleur, comme le Pyrex®; il ne peut pas tolérer la température élevée.

Comment utiliser air fry

Ce mode permet d'obtenir une croûte croustillante sans ajout de matière grasse. Il s'agit d'une version saine de la friture des fast-foods, avec moins de calories dans les aliments cuits. Convient aux petits morceaux de viande, de poisson, de légumes et aux produits surgelés prêts à être frits, tels que les frites ou les nuggets de poulet. Il s'agit d'un mode combiné. L'air chaud circule uniformément autour des aliments. La chaleur de l'élément chauffant supérieur permet d'obtenir une croûte croustillante.

- Laissez le four totalement préchauffer avant de placer les aliments dans le four.
- Pour de meilleurs résultats, utilisez la position 4 de la grille.
- Utilisez une plaque de cuisson en aluminium foncé avec un insert en fil de fer pour surélever les aliments.
- Répartissez les aliments uniformément sur toute la surface du plat ou de la plaque de cuisson et ne les recouvrez pas.
- Respectez les directives de l'emballage en matière de temps de cuisson et de température.
- Certains aliments peuvent produire de la fumée et de la vapeur.

Comment utiliser frozen foods/quick meal

Ce mode permet de cuire des aliments surgelés sur une seule grille en un temps plus court, sans préchauffage.

- À utiliser pour les produits surgelés précuits, tels que les repas surgelés, les produits de boulangerie, les croissants, les frites ou les nuggets de poulet.
- Respectez les directives de l'emballage en matière de temps de cuisson et de température.

Comment utiliser le mode proof

Utilisez le mode **proof** pour lever la pâte à levure.

Remarque

- Commencez avec un four froid lorsque vous utilisez ce mode.
- Laissez d'abord décongeler la pâte congelée.
- La température idéale pour la fermentation sera maintenue jusqu'à ce que le mode soit désactivé. La pâte a fait ses preuves lorsqu'elle a doublé de volume.
- Couvrez sans serrer le bol ou l'ustensile de cuisson et utilisez une grille adaptée à la taille du contenant.
- Laissez la porte fermée et utilisez l'éclairage du four pour vérifier la levée de la pâte.

Taille	Durée en minute
Miche, 1 lb (4,5 kg)	60 - 75
Roulades, 0,1 lb (50 g)	30 - 45

Comment utiliser le mode keep warm

Utilisez le mode **keep warm** pour conserver les aliments chauds et cuits à la température de service.

⚠ MISE EN GARDE

Les aliments peuvent se gâter lorsqu'ils sont gardés au chaud trop longtemps.

- ▶ N'utilisez pas le mode maintenir au chaud pour chauffer des aliments froids.
- ▶ Veillez à garder la nourriture à la bonne température. L'USDA recommande de maintenir les aliments chauds à 140 ° F (60 ° C) ou plus.
- ▶ NE PAS maintenir des aliments au chaud pendant plus d'une heure.

Remarque

- Commencez TOUJOURS par des plats chauds. N'UTILISEZ PAS ce mode pour chauffer des aliments froids autres que des craquelins, des croustilles et des céréales sèches.
- Dans ce mode, il est possible de maintenir au chaud les plats préparés, les assiettes et les tasses.
- Protéger les aliments devant rester humides avec un couvercle ou du papier d'aluminium.
- Il est possible de couvrir le plat de papier d'aluminium. N'utiliser que de la vaisselle résistante à la chaleur.
- N'ouvrez PAS la porte du four inutilement. Vous réduirez ainsi la température du four.
- Pour maintenir les aliments cuits au chaud, laissez le temps au four de préchauffer avant d'enfourner les plats.

7.12 Obtenir les meilleurs résultats

- Minimisez l'ouverture des portes du four.
- Utilisez la position de grille recommandée par la recette.
- Utilisez les ustensiles de cuisson recommandés dans la recette.
- Rangez les poêles à l'extérieur du four. Une casserole supplémentaire sans nourriture affecte le brunissement et la cuisson.
- Le type de casserole utilisé affecte le brunissement.
 - Pour les croûtes tendres et dorées, utilisez des casseroles métalliques légères antiadhésives/ anodisées ou brillantes.
 - Pour les croûtes croustillantes brunes, utilisez des casseroles métalliques antiadhésives foncées, anodisées ou foncées, ternes ou des ustensiles de

cuisson en verre. Ceux-ci peuvent nécessiter d'abaisser la température de cuisson de 25 ° F.

Préchauffe du four

- La plupart des temps de cuisson dans les recettes sont conçus pour un four préchauffé et nécessitent que le four soit déjà à une certaine température avant le début de la cuisson. Reportez-vous à votre recette pour les recommandations de préchauffage.
- Le temps de préchauffage dépend du réglage de température et du nombre de grilles dans le four. Retirez les grilles de four inutilisées pour raccourcir le temps de préchauffage.
- Le préchauffage n'est pas nécessaire pour **conv roast**.

Type d'ustensiles de cuisson

- Des ustensiles de cuisson en métal avec ou sans finition antiadhésive, du verre résistant à la chaleur, de la vitrocéramique, de la poterie ou d'autres ustensiles conviennent au four.
- Les plaques à biscuits appropriées ont une petite lèvre d'un côté. Les feuilles épaisses ou celles avec plus d'un côté peuvent affecter le temps de cuisson.

Positionnement de plats de cuisson

- Laissez au moins 1 po (2,5 cm) d'espace entre les casseroles et les parois du four pour que la chaleur puisse circuler autour de chaque poêle.
- Décaler les ustensiles de cuisson de sorte que l'un ne soit pas directement au-dessus d'un autre. Laisser 1½ po (4 cm) au-dessus et au-dessous de chaque casserole.

Cuisson à haute altitude

À haute altitude, les recettes et les temps de cuisson peuvent varier. Pour obtenir les conseils les plus précis et les plus récents, consultez votre service local de vulgarisation agricole ou les ressources de l'université d'État du Colorado sur la préparation des aliments en haute altitude.

Condensation

Il est normal de voir une certaine quantité de vapeur d'eau s'échapper des aliments lors de la cuisson. La quantité dépend de la teneur en humidité de l'aliment. L'humidité se condensera sur toute surface plus froide que l'intérieur du four, comme le panneau de commande.

8 Fonctionnement de la table de cuisson

Vous trouverez ici tout ce que vous devez savoir sur le fonctionnement de votre table de cuisson.

8.1 Ustensile de cuisine

Ces informations vous aideront à économiser de l'énergie et à éviter d'endommager votre batterie de cuisine.

Ustensile de cuisson convenable

N'utilisez que des ustensiles de cuisine de taille appropriée. L'ustensile de cuisson ne doit pas dépasser le bord de la table de cuisson.

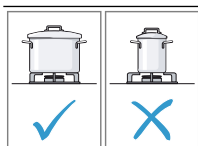
Brûleur	Diamètre maximum de la base de l'ustensile de cuisson	Diamètre minimum de la base de l'ustensile de cuisson
Grand brûleur	11 3/4 po (30 cm)	10 1/4 po (26 cm)
Brûleur moyen	8 2/3 po (22 cm)	5 1/2 po (14 cm)
Petit brûleur	6 1/4 po (16 cm)	4 3/4 po (12 cm)

Recommandations en matière d'ustensiles de cuisson

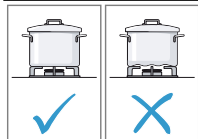
- Les casseroles à fond d'aluminium ou de cuivre conduisent la chaleur de façon uniforme.
- Les casseroles en acier inoxydable sans autres métaux n'offrent pas toujours une cuisson uniforme.
- Les ustensiles de fonte absorbent la chaleur lentement et cuisent plus uniformément à réglage moyen-faible.
- Des casseroles résistantes à fond plat sont stables et distribuent la chaleur uniformément.
- NE PAS UTILISER de casseroles minces, voilées, bosselées ou sillonnées, car elles ne distribuent pas la chaleur uniformément.

Utilisation des ustensiles de cuisson

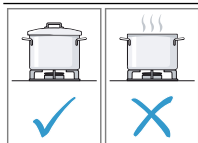
La sélection et le positionnement de la batterie de cuisine affectent la sécurité et l'efficacité énergétique de votre appareil.



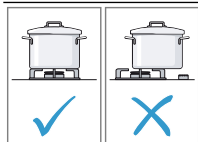
Assurez-vous que la taille de la casserole est adaptée à la taille du brûleur. N'utilisez jamais de petits ustensiles de cuisine sur de gros brûleurs. Assurez-vous que la flamme ne touche pas les côtés de la casserole.



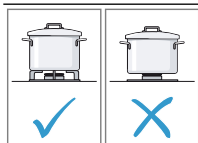
N'utilisez pas d'ustensiles de cuisine déformés. Les ustensiles de cuisine déformés ne sont pas stables sur la table de cuisson et peuvent basculer. Utilisez des ustensiles de cuisine à fond plat et épais.



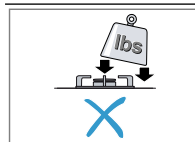
Ne cuisinez pas sans couvercle. Assurez-vous que le couvercle ne bouge pas. Lors de la cuisson sans couvercle, une grande quantité d'énergie s'échappera.



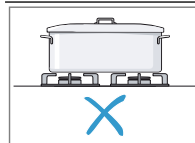
Placez l'ustensile au milieu du brûleur, sinon il risque de basculer. Ne placez pas de gros ustensiles de cuisine sur les brûleurs à proximité des commandes. Les commandes peuvent être endommagées en raison d'une surchauffe.



Placez les ustensiles de cuisine sur les grilles du brûleur. Ne placez jamais la batterie de cuisine directement sur le brûleur. Avant d'utiliser l'appareil, assurez-vous que les grilles et les chapeaux des brûleurs sont correctement positionnés.



Manipulez les ustensiles de cuisine qui se trouvent sur la table de cuisson avec soin. Ne cognez pas sur la table de cuisson. Ne placez pas de poids lourds sur la table de cuisson.



N'utilisez jamais plusieurs brûleurs pour chauffer des ustensiles de cuisine, tels qu'un rôtissoire, une poêle, une pierre à griller. L'accumulation de chaleur qui en résulte endommagera l'appareil.

8.2 Allumer un brûleur

La table de cuisson utilise des allumeurs électriques pour allumer les brûleurs.

- Placez des ustensiles de cuisine appropriés sur la grille du brûleur.
- Appuyez sur le bouton de commande du brûleur sélectionné et tournez-le dans le sens inverse des aiguilles d'une montre jusqu'au niveau de puissance le plus élevé. Maintenez le bouton de commande enfoncé.
 - Des étincelles apparaissent dans tous les brûleurs et la flamme s'enflamme.
- Attendez quelques secondes et relâchez le bouton de commande.

4. ⚠ AVERTISSEMENT

Le gaz qui s'échappe peut s'enflammer.

- Si le brûleur refuse de s'allumer après 15 secondes, ramener le bouton de commande en position d'arrêt et ouvrir la porte ou la fenêtre de la pièce. Attendez au moins 1 minute avant d'essayer de rallumer le brûleur.

Tourner le bouton de commande à la position désirée.

- Si le brûleur refuse de s'allumer, revenir à la position d'arrêt et recommencer les étapes décrites ci-dessus. Cette fois-ci, tenir le bouton de commande enfoncé plus longtemps (jusqu'à 10 secondes).

Remarque

Afin d'assurer le bon fonctionnement de l'appareil, respectez les instructions suivantes :

- Les pièces du brûleur et les grilles du brûleur doivent être correctement positionnées.
- Ne pas intervertir les chapeaux de brûleur des brûleurs individuels.
- Il est important de maintenir l'appareil électroménager propre. Nettoyer régulièrement les allumeurs avec une petite brosse non métallique. Prendre soin d'éviter de les frapper très fort.
- Les trous et les fentes du brûleur doivent être propres pour que la flamme soit correcte. Nettoyez régulièrement les brûleurs.

8.3 Allumer manuellement un brûleur

En cas de panne de courant, vous pouvez allumer les brûleurs manuellement.

- Maintenez enfoncé le bouton de commande du brûleur sélectionné et tournez-le dans le sens inverse

des aiguilles d'une montre jusqu'au niveau de puissance le plus élevé.

2. Tenir une allumette ou un briquet allumé contre le brûleur.

8.4 Éteindre un brûleur

- ▶ Tournez le bouton de commande dans le sens des aiguilles d'une montre à off.

8.5 Comportement normal pendant le fonctionnement

Le comportement suivant pendant le fonctionnement est normal.

- Un léger sifflement pendant le fonctionnement du brûleur.
- Dégagement d'odeurs lors de la première utilisation. Ceux-ci ne présentent aucun risque et disparaîtront avec le temps.
- Une flamme de couleur orange est normale. Elle est causée par des impuretés, telles que la présence de poussière dans l'atmosphère ou de liquides renversés.

8.6 Paramètres de cuisson recommandés

Utilisez le tableau suivant comme guide pour les réglages de chaleur.

La durée de cuisson et les réglages de température peuvent varier en fonction du type d'aliment, son poids et la qualité des ingrédients utilisés ainsi que selon le type de gaz de l'appareil et de la matière utilisée pour la fabrication des ustensiles.

Toujours utiliser des ustensiles de la bonne taille et les placer au centre du brûleur.

Conseils

- Recommandations pour la cuisson :
 - Placez tous les ingrédients dans la casserole en même temps lorsque vous cuisinez des soupes, des crèmes, des ragoûts de lentilles ou des pois chiches.
 - Préchauffez l'huile lors de la friture. Une fois que vous avez commencé à faire frire les aliments, maintenez la température en ajustant la puissance si nécessaire. Maintenez la température de l'huile entre les différents lots et retournez fréquemment les aliments.
- Recommandations pour réduire le temps de cuisson :
 - Utilisez un autocuiseur pour préparer des soupes crémeuses et des légumineuses. Suivez les instructions du fabricant de l'autocuiseur. Ajoutez tous les ingrédients en même temps au début.
 - Porter l'eau à ébullition avant d'ajouter des pâtes, du riz ou des pommes de terre, puis ajuster le niveau de puissance pour continuer à bouillir.
 - Utilisez un couvercle pour cuire le riz et les pommes de terre.

Processus de cuisson	Réglage de chaleur
Porter de l'eau à ébullition	Élevé
Poêle à frire, faire sauter, faire dorer la viande, frire	Moyen élevé
La plupart des fritures, des œufs, des crêpes, à ébullition lente	Moyen
Terminer la cuisson des aliments couverts, cuire à la vapeur	Moyen faible
Faire fondre du chocolat et du beurre, des sauces tomates mijotées, des soupes, des ragoûts	Faible

9 Nettoyage et entretien

Remarque : La déclaration de garantie limitée du produit couvre les défauts de matériaux et de fabrication. Le nettoyage et l'entretien ne sont pas couverts par la garantie et sont payants. Pour plus de détails, voir la déclaration de garantie limitée du produit.

9.1 Produits de nettoyage

Utilisez uniquement des produits de nettoyage appropriés pour éviter d'endommager les surfaces de l'appareil.

Noms de marques

- L'utilisation de noms de marque vise uniquement à indiquer un type de nettoyant. Cela ne constitue pas une approbation.
- L'omission d'un nettoyant de marque n'implique pas son adéquation ou son insuffisance.
- De nombreux produits sont de distribution régionale et peuvent être trouvés sur les marchés locaux.

- Il est impératif que tous les produits de nettoyage soient utilisés en stricte conformité avec les instructions sur son emballage.

Éviter ces produits de nettoyage

Ne pas utiliser les produits de nettoyage commerciaux tels que Easy Off®¹. Ils pourraient endommager le fini ou les pièces de l'appareil. Le chlore ou les composés chlorés de certains nettoyants sont corrosif pour l'acier inoxydable. Vérifier les ingrédients sur l'étiquette. Ne jamais utiliser des tampons à récurer ou des produits de nettoyage abrasifs.

AVERTISSEMENT

Assurez-vous que tout l'appareil (y compris l'ampoule) a refroidi et que la graisse s'est solidifiée avant d'essayer de nettoyer une partie de l'appareil.

¹ Ces marques sont des marques déposées de leurs propriétaires respectifs. Toutes les autres marques sont des marques de BSH Home Appliances Corporation ou ses sociétés affiliées.

⚠ AVERTISSEMENT

Pour éviter tout risque d'électrocution, N'UTILISEZ PAS de nettoyeur haute pression ou de nettoyeur à vapeur pour nettoyer l'appareil.
L'humidité qui pénètre peut occasionner une électrocution.

9.2 Nettoyage et entretien de la table de cuisson**Nettoyer l'appareil****⚠ MISE EN GARDE**

Tous les allumeurs produisent une étincelle lorsqu'on allume un brûleur quelconque.

- ▶ Ne touchez pas les brûleurs lorsque la table de cuisson est en cours d'utilisation.

⚠ AVERTISSEMENT

Ne nettoyez pas la table de cuisson lorsqu'elle est en marche.

1. Laissez l'appareil électroménager refroidir.
2. Nettoyez avec une éponge, de l'eau et du savon.
3. Séchez avec un chiffon doux.

Nettoyer les brûleurs

Nettoyez les surfaces des brûleurs après chaque utilisation pour éviter qu'ils ne s'incrustent.

AVIS

Ne nettoyez pas les pièces du brûleur au lave-vaisselle. Ils risquent d'être endommagés.

1. Attendre que l'appareil se soit refroidi.
2. Frottez avec une brosse non métallique et de l'eau savonneuse.
3. Séchez complètement les brûleurs. S'il y a des gouttelettes d'eau ou des taches humides sur la table de cuisson lorsque vous commencez la cuisson, l'émail peut être endommagé.
4. Remontez les pièces du brûleur. Assurez-vous que les chapeaux de brûleur sont correctement positionnés sur les bases des brûleurs.

Nettoyage des grilles du brûleur

1. Attendre que l'appareil se soit refroidi.
2. Soulevez soigneusement les grilles du brûleur.
3. Frottez avec une brosse non métallique et de l'eau savonneuse. Nettoyez soigneusement autour des pattes en caoutchouc. Si les pattes en caoutchouc se détachent, les grilles peuvent rayer la surface de cuisson.
4. Séchez complètement les grilles des brûleurs. S'il y a des gouttelettes d'eau ou des taches humides sur la table de cuisson lorsque vous commencez la cuisson, l'émail peut être endommagé.
5. Placez les grilles du brûleur dans leur position appropriée.

→ "Grilles de brûleur", Page 48

Recommandations en matière de nettoyage

Suivez ces recommandations de nettoyage pour les différentes pièces de votre appareil.

Pièce / matériau	Méthode de nettoyage appropriée	Notes importantes
Base de brûleur / alliage d'aluminium	<ul style="list-style-type: none"> ▪ Nettoyant non abrasif : savon à vaisselle et eau chaude ▪ Produits nettoyants légèrement abrasifs : Bon Ami®¹ ou Soft Scrub®¹ Rincer et sécher immédiatement.	<ul style="list-style-type: none"> ▪ N'égratignez ou n'abîmez pas les ouvertures de ports. ▪ Nettoyez les ports avec un fil ou un trombone étiré. ▪ N'utilisez pas de cure-dents, car ils risquent de casser. ▪ Ne pas immerger les bases des brûleurs. ▪ Pour les taches tenaces, utiliser une brosse à dents.
Chapeau du brûleur / Émail vitrifié	<ul style="list-style-type: none"> ▪ Nettoyants non abrasifs : Savon à vaisselle et eau chaude, Fantastic®¹ ▪ Nettoyants abrasifs doux : Bon Ami®¹ ▪ Nettoyants liquides : Soft Scrub®¹ ▪ Pour les taches de nourriture : nettoyants abrasifs tels que Barkeepers Friend®¹ Rincer et sécher immédiatement.	<ul style="list-style-type: none"> ▪ Les éclaboussures d'aliments acides et très sucrés détériorent l'émail. Les éclaboussures d'aliments acides et très sucrés détériorent l'émail. Retirez la saleté immédiatement après que l'appareil a suffisamment refroidi pour être touché. ▪ N'utilisez pas d'éponge ou de serviette mouillée sur de la porcelaine chaude. ▪ N'immergez pas les chapeaux des brûleurs. ▪ Utilisez toujours une pression minimale avec des produits nettoyants abrasifs. ▪ Sécher soigneusement le chapeau du brûleur après l'avoir nettoyé et l'insérer correctement sur sa base correspondante.

¹ Ces marques sont des marques déposées de leurs propriétaires respectifs. Toutes les autres marques sont des marques de BSH Home Appliances Corporation ou ses sociétés affiliées.

Pièce / matériau	Méthode de nettoyage appropriée	Notes importantes
Boutons de commande et cadres	Nettoyants non abrasifs : savon à vaisselle et eau chaude Sécher soigneusement après le nettoyage.	<ul style="list-style-type: none"> ■ Vous pouvez retirer les boutons de commande pour nettoyer l'appareil. ■ Ne retirez pas les œillets ou les anneaux blancs. Vous aurez besoin du service à la clientèle pour les remonter. N'UTILISEZ PAS LA TABLE DE CUISSON SANS TOUTES LES PIÈCES REPOSÉES CORRECTEMENT! ■ Ne pas immerger les boutons de commande ni les œillets. ■ Ne pas utiliser de produits nettoyants abrasifs ou autres produits comme Bon Ami®, Ajax® ou Comet®. Ils peuvent endommager le fini de façon permanente ou enlever les dessins.
Finis extérieur / Acier inoxydable	<ul style="list-style-type: none"> ■ Nettoyez avec de l'eau savonneuse et un chiffon doux, puis rincez et séchez avec un chiffon doux. ■ Conditionner l'acier avec le conditionneur pour acier inoxydable Bosch (pièce n° 00576696). Ne pas utiliser sur l'acier noir. ■ Taches de calcaire : vinaigre blanc domestique ■ Nettoyants abrasifs doux : Bon Ami®¹ ■ Décoloration par la chaleur : Bar Keepers Friend®¹ Rincer et sécher immédiatement.	<ul style="list-style-type: none"> ■ N'utilisez pas de tampons de laine d'acier. Ils égratigneront la surface. ■ L'acier inoxydable résiste à la plupart des taches alimentaires et aux marques de corrosion pourvu que la surface soit propre et protégée. ■ Ne laissez jamais de taches alimentaires ou du sel sur de l'acier inoxydable, peu importe la durée de temps ■ Frottez délicatement dans le sens du grain. ■ Le chlore ou les composés chlorés contenus dans certains produits nettoyants peuvent oxyder l'acier inoxydable. Vérifiez les ingrédients sur l'étiquette avant utilisation.
Grilles de brûleur et pont de grille / émail porcelaine sur fonte	<ul style="list-style-type: none"> ■ Nettoyant non abrasif : eau chaude et détergent, Fantastic®¹ ■ Produits nettoyants légèrement abrasifs : Bon Ami®¹ ou Soft Scrub®¹ ■ Taches tenaces : utiliser des tampons de laine d'acier savonneux Rincer et sécher immédiatement.	<ul style="list-style-type: none"> ■ Les grilles sont lourdes; soyez prudent lorsque vous les soulevez. Déposez-les sur une surface protégée pour les nettoyer. ■ Les cloques, les craquelures ou les éclats sont courants en raison des températures extrêmes sur les doigts de la grille et des changements rapides de température. Les cloques, les craquelures ou les éclats sont courants en raison des températures extrêmes sur les doigts de la grille et des changements rapides de température. ■ Les éclaboussures d'aliments acides et très sucrés détériorent l'émail. Les éclaboussures d'aliments acides et très sucrés détériorent l'émail. Retirez la saleté immédiatement après que l'appareil a suffisamment refroidi pour être touché. ■ Si vous utilisez des nettoyants abrasifs trop vigoureusement ou trop souvent, ils peuvent éventuellement endommager l'émail. ■ Ne nettoyez pas la grille dans un four autonettoyant.
Allumeurs / céramique	<ul style="list-style-type: none"> ■ Essuyez soigneusement avec un coton-tige imbibé d'eau et de savon. ■ Retirez délicatement les salissures à l'aide d'un cure-dent. 	<ul style="list-style-type: none"> ■ Évitez les excès d'eau sur l'allumeur. Un allumeur humide empêchera le brûleur de s'allumer. ■ Enlevez les éventuelles peluches pouvant subsister après le nettoyage.

¹ Ces marques sont des marques déposées de leurs propriétaires respectifs. Toutes les autres marques sont des marques de BSH Home Appliances Corporation ou ses sociétés affiliées.

Pièce / matériau	Méthode de nettoyage appropriée	Notes importantes
Surfaces de verre	Nettoyant non abrasif : savon à vaisselle et eau chaude Rincer et sécher immédiatement.	<ul style="list-style-type: none"> ▪ Nettoyez toujours le liquide répandu immédiatement après que l'appareil a suffisamment refroidi pour être touché. Cela empêchera les restes d'aliment de coller à la surface de la table de cuisson. ▪ Retirez le sucre fondu ou les aliments qui contiennent beaucoup de sucre immédiatement après que l'appareil a suffisamment refroidi au toucher. Utilisez le grattoir à verre. ▪ N'utilisez pas de nettoyants abrasifs tels que des tampons à récurer métalliques, des éponges à récurer, des tampons à récurer savonneux et des nettoyants en poudre.

9.3 Nettoyage et entretien du four

Recommandations en matière de nettoyage

Nettoyez uniquement les parties de votre four répertoriées dans ce tableau de nettoyage.

Pièce	Méthode de nettoyage appropriée	Recommandations
Support plat	<ul style="list-style-type: none"> ▪ Laver à l'eau savonneuse. ▪ Rincez à fond et séchez ou frottez doucement avec une poudre de nettoyage ou des tampons savonneux selon les instructions. 	<ul style="list-style-type: none"> ▪ NE PAS NETTOYER À L'AIDE DE LA FONCTION D'AUTONETTOYAGE. ▪ Si les grilles plates restent dans le four pendant le mode d'autonettoyage, elles perdront leur finition brillante et pourraient ne pas glisser en douceur. Si cela se produit, frotter les bords de la grille avec un peu d'huile végétale. Essuyez ensuite l'excès d'huile.
Grille télescopique	<ul style="list-style-type: none"> ▪ Laver à l'eau savonneuse. ▪ Rincez à fond et séchez ou frottez doucement avec une poudre de nettoyage ou des tampons savonneux selon les instructions. 	<ul style="list-style-type: none"> ▪ NE PAS NETTOYER À L'AIDE DE LA FONCTION D'AUTONETTOYAGE. ▪ Évitez d'insérer de la poudre de nettoyage dans les rails télescopiques. Il peut s'avérer nécessaire de lubrifier de nouveau les glissières. Utilisez uniquement des lubrifiants pour haute température de qualité alimentaire pour les lubrifier.
Joint d'étanchéité de porte	<ul style="list-style-type: none"> ▪ Aucun 	<ul style="list-style-type: none"> ▪ NE PAS NETTOYER LE JOINT DE PORTE. ▪ Le joint de la porte est essentiel pour maintenir une bonne étanchéité. Veillez à ne pas frotter, endommager ou déplacer le joint.
Verre	<ul style="list-style-type: none"> ▪ Laver avec de l'eau et du savon ou avec un nettoyant pour vitres. ▪ Utilisez Fantastik®¹ sur une éponge ou une serviette en papier propre et essuyez. 	<ul style="list-style-type: none"> ▪ Évitez d'utiliser des produits de nettoyage en poudre, des tampons de laine d'acier et des nettoyants pour fours.
Surfaces peintes	<ul style="list-style-type: none"> ▪ Nettoyer avec de l'eau savonneuse chaude ou appliquer Fantastik®¹ sur une éponge ou une serviette en papier propre et essuyer. 	<ul style="list-style-type: none"> ▪ N'UTILISEZ PAS de produits de nettoyage en poudre, de tampons en laine d'acier et de nettoyants pour four.

¹ Ces marques sont des marques déposées de leurs propriétaires respectifs. Toutes les autres marques sont des marques de BSH Home Appliances Corporation ou ses sociétés affiliées.

Pièce	Méthode de nettoyage appropriée	Recommandations
Surfaces en porcelaine	<ul style="list-style-type: none"> Essuyer immédiatement les déversements acides comme le jus de fruits, le lait et les tomates avec un chiffon sec. Une fois refroidi, nettoyez avec de l'eau chaude savonneuse ou appliquez le nettoyant Bon-Ami®¹ ou Soft Scrub®¹ sur une éponge humide. Rincez et séchez. Pour les taches tenaces, utiliser des tampons savonneux. 	<ul style="list-style-type: none"> N'utilisez pas d'éponge ou de chiffon humide sur la porcelaine chaude. Il est normal que la porcelaine présente de fines ridules avec l'âge en raison de l'exposition à la chaleur et au sol alimentaire.
Émail résistant à la chaleur et composants polis dans la cavité du four	<ul style="list-style-type: none"> Utilisez la fonction autonettoyante pour les salissures importantes. 	<ul style="list-style-type: none"> Ces surfaces peuvent se décolorer avec le temps. Cela est normal et n'a aucune incidence sur le fonctionnement. Ne pas utiliser des tampons à récurer ou des produits de nettoyage abrasifs pour tenter d'éliminer les décolorations.
Surfaces en acier inoxydable	<ul style="list-style-type: none"> Nettoyez avec de l'eau savonneuse et un chiffon doux, puis rincez et séchez avec un chiffon doux. Conditionnez l'acier avec un conditionneur en acier inoxydable. Retirer les traces d'eau avec un chiffon humecté de vinaigre blanc. Éliminez la décoloration due à la chaleur avec Bar Keeper's Friend®¹. 	<ul style="list-style-type: none"> Ne laissez jamais de taches alimentaires ou du sel sur de l'acier inoxydable, peu importe la durée de temps. Essuyez ou frottez toujours dans la direction du grain. Le chlore ou les composés chlorés de certains nettoyants sont corrosif pour l'acier inoxydable. Vérifiez les ingrédients sur l'étiquette du nettoyant.
Surfaces inoxydables noires/surfaces anti-traces de doigts	<ul style="list-style-type: none"> Nettoyez avec une serviette douce et sèche. Pour la saleté tenace, utilisez de l'eau tiède diluée avec du savon doux, non abrasif. 	<ul style="list-style-type: none"> N'utilisez jamais de produit à polir pour acier inoxydable.
Plastique et contrôles	<ul style="list-style-type: none"> Lorsqu'il est refroidi, nettoyez à l'eau savonneuse puis rincez et séchez. 	
Zones imprimées (mots et chiffres)		<ul style="list-style-type: none"> N'utilisez pas de nettoyants abrasifs ou de solvants à base de pétrole.

Fonction autonettoyante

Avec l'autonettoyage pyrolytique, le four est chauffé à une température très élevée. La saleté tenace est brûlée et peut être essuyée une fois l'autonettoyage terminé.

AVERTISSEMENT

Le four devient très chaud lors de l'autonettoyage.

- Pendant le cycle d'autonettoyage, les surfaces extérieures peuvent devenir plus chaudes que d'habitude. Certaines parties de l'appareil peuvent devenir potentiellement dangereuses pour les enfants et pour les personnes qui n'ont pas les connaissances des adultes concernant l'usage des appareils électroménagers et ne peuvent pas réagir comme le ferait un adulte devant des conditions

potentiellement dangereuses. Tenez ces personnes éloignées pendant l'autonettoyage et pendant l'utilisation de l'appareil. Des précautions sont nécessaires lors de l'utilisation des autres fonctions.

- L'élimination des salissures pendant l'autonettoyage peut faciliter l'émission de petites quantités de produits chimiques ou d'autres substances qui peuvent être nocives en cas d'exposition suffisante. Pour minimiser l'exposition à ces substances, s'assurez d'avoir une bonne ventilation en laissant une fenêtre ouverte, ou utiliser un ventilateur ou une hotte d'aération.
- Pour le cycle d'autonettoyage de votre cuisinière, retirez les petits animaux et les oiseaux de la cuisine et des environs. Ouvrez une fenêtre à proximité pour

¹ Ces marques sont des marques déposées de leurs propriétaires respectifs. Toutes les autres marques sont des marques de BSH Home Appliances Corporation ou ses sociétés affiliées.

une ventilation supplémentaire. Pendant l'autonettoyage, les émanations de fumée libérées peuvent être nocives.

Lors de l'élimination des salissures lors de l'autonettoyage, de petites quantités de monoxyde de carbone peuvent être créées et l'isolant en fibre de verre peut dégager de très petites quantités de formaldéhyde au cours des premiers cycles de nettoyage.

- ▶ Pour minimiser l'exposition à ces substances, s'assurez d'avoir une bonne ventilation en laissant une fenêtre ouverte, ou utiliser un ventilateur ou une hotte d'aération.

MISE EN GARDE

Les événements du four sont importants pour la circulation de l'air. Couvrir les événements du four entraînera une surchauffe du four. Reportez-vous à l'aperçu de l'appareil pour connaître l'emplacement des événements du four.

→ "Électroménager", Page 46

- ▶ Ne pas obstruer les événements du four.

AVERTISSEMENT

Le four chauffe à très haute température pendant l'autonettoyage. L'ouverture de la porte peut entraîner des blessures.

- ▶ Lors de l'autonettoyage, vérifiez que la porte est verrouillée et ne s'ouvre pas.
- ▶ Si la porte ne se verrouille pas, ne pas lancer le Nettoyage Auto. Communiquez avec le service après-vente.

MISE EN GARDE

Ne laissez pas de nourriture ou d'ustensiles de cuisine, etc., dans le four pendant le mode de fonctionnement autonettoyant pyrolytique.

Préparation de l'autonettoyage

MISE EN GARDE

Retirez les poêles à griller, les casseroles et autres ustensiles et tout déversement excessif avant l'autonettoyage.

Ne laissez pas de nourriture ou d'ustensiles de cuisine, etc., dans le four pendant le mode de fonctionnement autonettoyant pyrolytique.

AVIS

Ne nettoyez pas les pièces ou les accessoires avec la fonction d'autonettoyage.

1. Retirez tous les accessoires, grilles et guides de grille du four.
2. Essuyez tout déversement excessif de la cavité du four.

Démarrage de l'autonettoyage

Exigences

- Tous les modes de chauffage ou minuteries sont annulés.
- Vous avez effectué les étapes de préparation du four pour l'autonettoyage.

1. Appuyez deux fois sur **clean**.

✓ "self" s'allume.

2. Appuyez sur < ou > pour sélectionner le niveau de nettoyage désiré.

Intensité	Durée (exclut la période de refroidissement)
- Faible Pour les impuretés mineures	2 heures
= Moyen Pour les impuretés visibles	3 heures
≡ Élevé Pour les impuretés tenaces et persistantes	5 heures

3. Appuyez sur **start**.

✓ "door lock" et la durée du nettoyage sont affichées.

4. Vérifiez si la porte est verrouillée.

Remarque : N'utilisez pas l'auto-nettoyage si la porte du four ne se verrouille pas.

5. Lorsque le programme d'auto-nettoyage est terminé, la porte reste verrouillée jusqu'à ce que la température soit redescendue en dessous de 400°F (200°C). Le four se met ensuite en mode veille.

6. Attendez que la cavité du four ait complètement refroidi avant de procéder à l'auto-nettoyage.

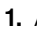
→ Page 66

Fin de l'auto-nettoyage

Lorsque l'auto-nettoyage est terminé, le four refroidit. Le loquet de la porte s'ouvre automatiquement lorsque le four est en dessous de 500 F (260 C).

MISE EN GARDE

Pour éviter tout risque de brûlure, laissez le four refroidir complètement avant d'ouvrir la porte du four. La cavité du four est encore à des températures de cuisson lorsque le loquet de la porte est relâché après l'auto-nettoyage.

1. Appuyez sur  pour éteindre le four.
2. Essuyez les cendres restantes du four avec un chiffon humide.

Remarque : Une fois l'auto-nettoyage terminé, la fonction d'auto-nettoyage ne pourra plus fonctionner pendant 24 heures.

Fonction nettoyage vapeur

Cette fonction est idéale pour éliminer les salissures légères de la cavité du four.

Cette fonction est d'autant plus efficace qu'elle est utilisée régulièrement. Si la cavité du four est très sale, utilisez plutôt la fonction d'autonettoyage.

Démarrage du nettoyage vapeur

1. Versez au maximum ½ tasse d'eau au fond de la cavité du four.
 2. Appuyez sur **clean** une fois.
- ✓ "on" s'allume.
- ✓ La minuterie de nettoyage à la vapeur compte à rebours à partir de 30 minutes.
3. Lorsque la durée du nettoyage à la vapeur est écoulée, poursuivre le nettoyage.

Nettoyage ultérieur de la cavité du four après la fonction de nettoyage

Nettoyez la cavité du four manuellement dès qu'elle s'est refroidie après la fonction de nettoyage.

AVIS

L'humidité dans la cavité du four peut endommager les surfaces.

- ▶ Retirez rapidement l'eau restante de la cavité du four.
- ▶ Ne laissez pas l'eau restante dans la cavité du four pendant une longue période, par exemple pendant la nuit.
- ▶ N'utilisez pas l'appareil lorsque la cavité du four est encore mouillée ou humide.

1. Ouvrez la porte de l'appareil électroménager et retirez l'eau restante avec un chiffon absorbant.
2. Nettoyez les surfaces lisses de la cavité du four avec un torchon à vaisselle ou une brosse à soies douces. Les résidus tenaces peuvent être éliminés avec un tampon à récurer doux.
3. Éliminez le calcaire avec un chiffon imbibé de vinaigre et essuyez-le avec de l'eau propre. Frottez la cavité du four avec un chiffon doux ; sécher également sous le joint de porte.
4. Éteignez l'appareil.
5. Laissez la porte de l'appareil entrouverte en position d'arrêt (environ 30°) pendant environ une heure pour permettre aux surfaces en émail dans la cavité du four de sécher complètement.

Entretien**Remplacement d'une ampoule de four**

Lorsque la lumière du four tombe en panne, vous pouvez remplacer les ampoules.

⚠ AVERTISSEMENT

La prise d'éclairage est sous tension lorsque la porte est ouverte si l'alimentation principale n'est pas coupée.

- ▶ Coupez l'alimentation électrique principale sur le panneau de service avant de changer les ampoules.

⚠ AVERTISSEMENT

S'assurer que l'appareil et l'éclairage sont froids et veiller à couper l'alimentation électrique de l'appareil avant de remplacer la ou les ampoules.

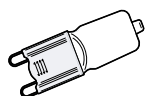
Le non-respect de cette précaution pourrait entraîner un choc électrique ou des brûlures.

- ▶ Les lentilles doivent être en place lors de l'utilisation de l'appareil.
- ▶ Les lentilles servent à protéger l'ampoule de la rupture.
- ▶ Les lentilles sont en verre. Manipulez les lentilles avec précaution pour éviter de les endommager. Les éclats de verre peuvent entraîner une blessure.

Spécifications de l'ampoule

Description de l'ampoule **Illustration de l'ampoule**

40 Watt, ampoule halogène, base G9, 120 Volts



Remplacement de l'ampoule du four

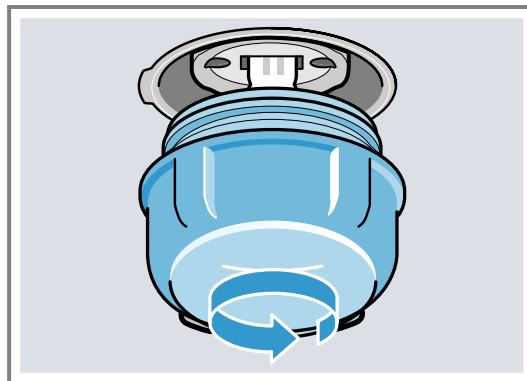
Remarque : Les graphiques sont représentatifs. Votre appareil peut avoir différentes apparences graphiques.

Exigences

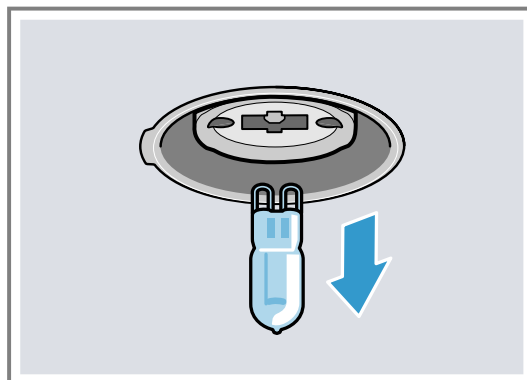
- Reportez-vous au tableau des ampoules du four pour les spécifications d'éclairage de four de votre four.

- Suivez les consignes de sécurité pour remplacer une ampoule. → Page 67

1. Couper l'alimentation du four au tableau de distribution principal (boîte à fusibles ou boîtier de disjoncteurs).
2. Retirez les grilles du four.
3. Tournez le couverc en verre dans le sens antihoraire pour le retirer.



4. Retirez l'ancienne ampoule en saisissant et en faisant glisser l'ampoule vers l'arrière jusqu'à ce que les deux broches aient dégagé le support en céramique.



5. Ne touchez pas directement le verre de la nouvelle ampoule de rechange, car l'huile de vos doigts peut provoquer une défaillance prématurée de l'ampoule. Saisissez plutôt l'ampoule de rechange avec un chiffon sec et propre. Repérez les deux tiges dans le support de céramique, en tâtant légèrement jusqu'à ce que les deux tiges s'insèrent dans la douille céramique.
6. Appuyez pour asseoir l'ampoule.
7. Revisser le couvercle de verre.
8. Allumez le disjoncteur.

Retrait de la porte du four**⚠ AVERTISSEMENT**

Le non-respect de ces instructions lors du retrait de la porte du four peut entraîner des blessures ou endommager le produit.

- ▶ Avant de démonter la porte, s'assurer que le four soit froid et que le courant qui l'alimente a été coupé. Le non-respect de cette précaution pourrait entraîner un choc électrique ou des brûlures.
- ▶ La porte du four est lourde et certaines parties sont fragiles. Utilisez les deux mains pour retirer la porte du four.
- ▶ Le devant de la porte est en verre. Manipulez-la avec précaution pour éviter des cassures.

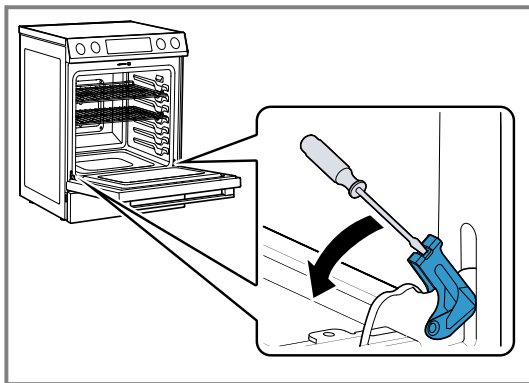
- ▶ Saisir uniquement les côtés de la porte. Ne saisissez pas la poignée. Il peut osciller dans votre main et provoquer des dommages ou des blessures. Si la porte du four n'est pas saisie fermement et correctement, il y a un risque de blessure ou de dommage à l'appareil.
- ▶ Pour éviter toute blessure causée par l'enclenchement soudain du support de charnière, s'assurer que les deux leviers sont bien enclenchés avant d'enlever la porte.
- ▶ Ne forcez pas la porte pour l'ouvrir ou la fermer. La charnière pourrait être endommagée et provoquer des dommages ou des blessures.
- ▶ Ne pas déposer la porte sur des objets acérés ou pointus, car ils risquent de briser la vitre. Posez-la sur une surface plane et lisse, positionnée de manière à ce que la porte ne puisse pas tomber.

Sans la poids de la porte, les puissants ressorts fermeront les charnières avec une poussée importante. Si la porte du four n'est pas saisie fermement et correctement, il y a un risque de blessure et de dommage à l'appareil.

- ▶ Ne saisissez jamais la porte près de la charnière/du loquet et ne placez jamais votre main ou vos doigts près du loquet une fois que la porte a été retirée de la charnière.

Remarque : Pour éviter de vous blesser ou d'endommager l'appareil, lisez attentivement l'AVERTISSEMENT ci-dessus avant d'essayer d'enlever la porte du four.

1. Ouvrez la porte du four dans sa position complètement ouverte.
2. Utilisez un tournevis à tête plate pour faire tourner les 2 supports jusqu'à la position d'arrêt.



3. Fermez lentement la porte à un angle de 10° par rapport à la position de fermeture complète, puis éloignez la porte du four. La porte est lourde. Utilisez les deux mains pour le saisir fermement par les côtés. Ne saisissez pas la porte par la poignée.
4. Placez la porte dans un endroit pratique et stable.
5. **⚠ AVERTISSEMENT**
Le remontage de la porte du four présente un risque de blessure.
 - ▶ Veillez toujours à ce que les supports de charnière soient correctement placés dans les supports de charnière.
 Remplacez la porte dans l'ordre inverse dans lequel elle a été retirée.
 - ▶ Vérifiez que la porte et le tiroir sont parallèles l'un à l'autre et qu'ils fonctionnent bien.

9.4 Retrait du tiroir de rangement

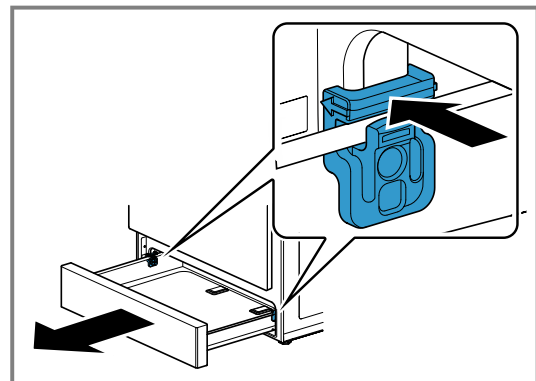
Vous pouvez retirer le tiroir de rangement pour un nettoyage plus facile.

⚠ AVERTISSEMENT

Certaines surfaces cachées peuvent avoir des rebords tranchants.

- ▶ Redoubler de vigilance quand vous passez la main derrière ou sous l'appareil électroménager.

1. Ouvrez le tiroir de rangement.
2. Poussez simultanément l'entretoise de chaque côté du tiroir vers l'arrière dans le sens de la flèche.



3. Retirez complètement le tiroir de rangement.
4. Une fois l'installation terminée, remettez le tiroir en place en inversant les étapes de dépose.

10 Dépannage

Vous pouvez éliminer vous-même les défauts mineurs de votre appareil. Veuillez lire les informations de dépannage avant de contacter le service à la clientèle. Cela peut éviter des frais de visite inutiles.

⚠ AVERTISSEMENT

Pour éviter tout risque de blessure dû à des réparations incorrectes, respectez les points suivants.

- ▶ Seuls des techniciens qualifiés ou des prestataires de services agréés peuvent effectuer des réparations.
- ▶ Si le cordon d'alimentation secteur ou le cordon d'alimentation de l'appareil est endommagé, ils doivent être remplacés par des cordons spécifiques disponibles auprès du fabricant ou de son service après-vente.
- ▶ En cas d'endommagement du cordon d'alimentation, celui-ci doit être remplacé par un technicien qualifié.
- ▶ Seules des pièces de rechange d'origine peuvent être utilisées pour réparer l'appareil.
- ▶ Si l'appareil a un problème, appelez le service client.

10.1 Dépannage du four

Code d'erreur/affichage à l'écran/signal

Défaut	Cause et dépannage
e101 - Défaut sonde de température du four	La sonde de température de l'appareil peut être défectueuse. <ol style="list-style-type: none"> Vérifiez que la connexion du cordon d'alimentation est correcte. Les couleurs des fils du cordon d'alimentation doivent correspondre à celles des fils de l'appareil. Mettez l'appareil hors circuit au disjoncteur et attendre cinq minutes. Rallumez le disjoncteur. Si le problème persiste, contactez le service client.
e005 - Défaut de communication entre l'interface utilisateur et la carte d'alimentation	Une panne électronique s'est produite <ol style="list-style-type: none"> Mettez l'appareil hors circuit au disjoncteur et attendre cinq minutes. Rallumez le disjoncteur. Si le problème persiste, contactez le service client.
e011 - Défaillance du capteur tactile sur le panneau de commande du four	Un capteur tactile est défaillant. <ol style="list-style-type: none"> Nettoyez le panneau de commande et essuyez-le. Mettez l'appareil hors circuit au disjoncteur et attendre cinq minutes. Rallumez le disjoncteur. Si le problème persiste, contactez le service client.
E302 - Le panneau de contrôle a surchauffé	Le panneau de contrôle a surchauffé. <ol style="list-style-type: none"> Vérifiez la température ambiante de la pièce Vérifiez la position des casseroles. La position des casseroles peut influencer la température sur le panneau de contrôle. Laissez l'appareil électroménager refroidir. Mettez l'appareil hors circuit au disjoncteur et attendre cinq minutes. Rallumez le disjoncteur. Si le problème persiste, contactez le service client.
e126 - Défaillance de la serrure de la porte pendant l'auto-nettoyage	La serrure de la porte de l'appareil ne fonctionne pas correctement. <ol style="list-style-type: none"> Annulez la fonction d'auto-nettoyage. Attendez que la porte se déverrouille et relancez la fonction d'auto-nettoyage. Si le problème persiste, contactez le service client.
e310 - Défaut d'alimentation du relais de la carte d'alimentation	Une panne de courant survient. <ol style="list-style-type: none"> Vérifiez que la tension est correcte dans l'installation domestique. Mettez l'appareil hors circuit au disjoncteur et attendre cinq minutes. Rallumez le disjoncteur. Si le problème persiste, contactez le service client.
e302 - La carte d'alimentation a surchauffé	La carte d'alimentation a surchauffé.
ERR/toP - Activation de la table de cuisson pendant que la fonction d'auto-nettoyage est active	La table de cuisson a été activée pendant un cycle d'auto-nettoyage actif. <ol style="list-style-type: none"> Éteignez toute zone de cuisson active. Relancez la fonction d'auto-nettoyage.
E100 - Défaillance de la croix zéro sur la carte d'alimentation	Une panne électronique s'est produite <ol style="list-style-type: none"> Mettez l'appareil hors circuit au disjoncteur et attendre cinq minutes. Rallumez le disjoncteur. Si le problème persiste, contactez le service client.

Dysfonctionnements

Défaut	Cause et dépannage
La porte du four est verrouillée et refuse de s'ouvrir, même après le refroidissement	La serrure de porte est enclenchée <ol style="list-style-type: none"> Mettre le four hors circuit au disjoncteur et attendre cinq minutes. Remettre le disjoncteur en circuit. <p>✓ Le four devrait se réinitialiser et être fonctionnel.</p>
Le four ne chauffe pas	Il n'y a pas d'alimentation électrique à l'appareil <ol style="list-style-type: none"> Vérifier le disjoncteur ou le boîtier à fusibles de la résidence. S'assurer que l'alimentation électrique de l'appareil est adéquate. <p>Il n'y a pas de température de cuisson réglée</p> <p>▶ Réglez une température de mode de chauffage.</p>

Défaut	Cause et dépannage
Les résultats de cuisson ne sont pas satisfaisants	La position de la grille n'est pas idéale ▶ Cochez « Tirer le meilleur parti de votre appareil » pour obtenir des conseils et des suggestions. → "Obtenir les meilleurs résultats", Page 59
La durée de cuisson des aliments est plus longue que prévue	La température du four doit être recalibrée Remarque : Le four est soigneusement étalonné de manière à offrir des résultats précis. ▶ Si la nourriture est toujours trop brune ou trop claire, la température peut être décalée. → "Décalage de la température du four", Page 57
Les aliments sont trop cuits	La température du four doit être recalibrée Remarque : Le four est soigneusement étalonné de manière à offrir des résultats précis. ▶ Si la nourriture est toujours trop brune ou trop claire, la température peut être décalée. → "Décalage de la température du four", Page 57
L'éclairage du four fonctionne mal	L'ampoule du four est desserrée ou brûlée ▶ Remplacez ou réinsérez l'ampoule. → "Remplacement d'une ampoule de four", Page 67 Conseil : Toucher l'ampoule avec les doigts peut la faire griller.
L'éclairage refuse de s'éteindre	La porte du four ne se ferme pas correctement 1. Vérifiez que la porte de l'appareil n'est pas obstruée. 2. Vérifiez si la charnière est pliée. La lumière du four est allumée ▶ Appuyez sur le bouton d'éclairage du four pour éteindre l'éclairage du four.
Impossible de retirer la lentille de la lampe	Il y a une accumulation de saleté autour du couvercle de l'objectif 1. Laissez refroidir la cavité du four. 2. Essuyez la zone du couvercle de la lentille avec une serviette propre et sèche, puis essayez de retirer le couvercle de la lentille.
La fonctionnalité d'autonettoyage du four ne fonctionne pas correctement	Le four est trop chaud pour démarrer l'autonettoyage 1. Laissez le four refroidir avant de lancer l'autonettoyage. 2. Essuyez toujours les saletés libres ou les déversements importants avant de procéder à un autonettoyage. 3. Si le four est très sale, réglez la durée maximale d'autonettoyage.
L'horloge et la minuterie fonctionnent mal	Il n'y a pas d'alimentation électrique à l'appareil 1. Vérifier le disjoncteur ou le boîtier à fusibles de la résidence. 2. S'assurer que l'alimentation électrique de l'appareil est adéquate.
Une forte odeur se dégage du four neuf lorsqu'il est mis sous tension	Cela est normal pour un four neuf et l'odeur disparaîtra après quelques utilisations ▶ Utilisez le mode autonettoyant pour brûler l'odeur plus rapidement.
Le panneau de commande ne répond pas lorsqu'une touche est activée	Le contrôle est mouillé ou sale ▶ Nettoyez le panneau de commande et essuyez-le. Les touches tactiles ne sont pas correctement enfoncées 1. Appuyez au centre du bouton. 2. Utiliser le plat du doigt.
De l'air chaud ou de la vapeur s'échappent de l'évent du four	Il est normal de voir ou de sentir de la vapeur ou de l'air chaud s'échapper de l'évent du four ⚠ MISE EN GARDE Les événements du four sont importants pour la circulation de l'air. Couvrir les événements du four entraînera une surchauffe du four. Reportez-vous à l'aperçu de l'appareil pour connaître l'emplacement des événements du four. → "Électroménager", Page 46 ▶ Ne pas obstruer les événements du four.
Le ventilateur de refroidissement fonctionne même si le four est éteint	Le ventilateur de refroidissement peut encore fonctionner, même après avoir éteint le four, jusqu'au refroidissement suffisant du four ▶ Cela est normal. Aucune action n'est requise.

11 Élimination

11.1 Éliminer un appareil usagé

L'élimination dans le respect de l'environnement permet de récupérer de précieuses matières premières.

1. Débranchez la fiche du secteur.

2. Coupez le câble de raccordement secteur.

3. Éliminez l'appareil dans le respect de l'environnement.

Pour connaître les circuits d'élimination actuels, veuillez vous adresser à votre revendeur ou à votre administration municipale.

12 Service à la clientèle

Lors de toute réparation réalisée dans le cadre de la garantie, nous nous assurons que votre appareil est réparé avec des pièces de rechange d'origine par un technicien dûment formé et agréé. Nous utilisons exclusivement des pièces de rechange d'origine lors des réparations.

Vous pouvez obtenir auprès de notre service après-vente des pièces détachées d'origine relatives au fonctionnement de l'appareil et pouvant être stockées jusqu'à 15 ans après la commercialisation de votre appareil.

Veillez contacter notre service clientèle pour obtenir d'autres informations à ce sujet.

Pour plus d'informations sur la durée et les conditions de la garantie dans votre pays, consultez nos modalités de garantie auprès de votre détaillant ou sur notre site Web.

USA:

1-800-944-2904

www.bosch-home.com/us/owner-support/get-support

www.bosch-home.com/us/shop

CA:

1-800-944-2904

www.bosch-home.ca/en/service/get-support

www.bosch-home.ca/en/service/cleaners-and-accessories

Résidents du Québec :

Vous trouverez des renseignements sur la disponibilité des pièces de rechange, des services de réparation et des renseignements nécessaires à l'entretien ou à la réparation de l'appareil à l'adresse suivante :

www.bosch-home.ca/fr/service/



 **BOSCH**

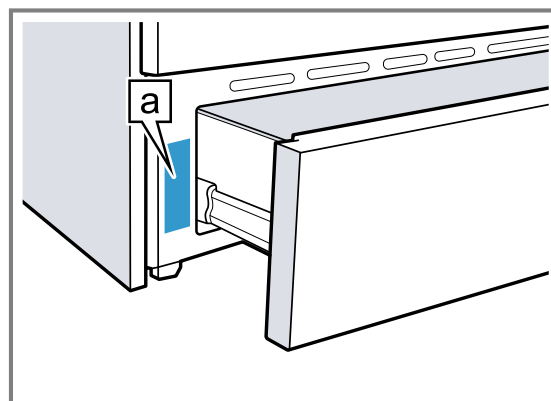
12.1 Numéro de modèle (E-Nr.) et numéro de fabrication (FD)

Le numéro de modèle (E-Nr.) et le numéro de fabrication (FD) sont indiqués sur la plaque signalétique de l'appareil.

Pour retrouver rapidement les données de votre appareil et le numéro de téléphone du service à la clientèle, n'hésitez pas à les recopier ailleurs.

12.2 Emplacement de la plaque signalétique

Vous trouverez la plaque signalétique de votre appareil sur le châssis du four. Ouvrir le tiroir pour la repérer.



a Plaque signalétique

12.3 Enregistrement de produit

Enregistrez votre produit Bosch pour accéder aux informations relatives à votre produit.

Vous pouvez enregistrer votre produit de plusieurs manières :

- Enregistrez le produit en ligne au
 - É.-U. : www.bosch-home.com
 - Canada : www.bosch-home.ca/en/service/get-support
- Postez la carte d'enregistrement du produit remplie à l'adresse imprimée sur la carte.
- Scannez le code QR avec votre smartphone et suivez les instructions :



- Appelez Bosch Support à la clientèle au 1-800-944-2904.

Veillez vous assurer d'enregistrer votre produit ; le défaut d'enregistrement n'affectera pas vos droits de garantie.

13 ÉNONCÉ DE LA GARANTIE LIMITÉE DU PRODUIT

13.1 Couverture de la garantie limitée

La garantie limitée fournie par BSH Home Appliances (« Bosch ») dans cet énoncé de garantie limitée s'applique seulement à l'appareil Bosch qui vous a été vendu (« Produit »), pour autant que le produit ait été acheté :

- Pour une utilisation normale résidentielle (non commerciale), et qu'il a été utilisé en tout temps pour un usage domestique normal.
- Neuf au détail auprès d'un revendeur agréé BSH ou directement auprès de BSH (pas un présentoir, « tel quel », ou un modèle précédemment retourné), et non destiné à la revente ou à un usage commercial.
- Aux États-Unis ou au Canada et qu'il est demeuré en tout temps dans son pays d'achat.

Les garanties aux présentes s'appliquent à l'acheteur original du produit sous garantie et à tout propriétaire successif du produit acheté pour une utilisation résidentielle habituelle et la durée de la garantie.

Assurez-vous d'enregistrer votre produit ; bien qu'il ne soit pas nécessaire pour appliquer la garantie, c'est le meilleur moyen pour Bosch de vous informer dans le cas peu probable d'un avis de sécurité ou d'un rappel de produit.

13.2 Durée de la garantie

Bosch garantit que le produit est exempt de défauts de matériaux et de fabrication pendant une période de trois cent soixante-cinq (365) jours à compter de la date de livraison initiale. La période susmentionnée commence à partir de la date de livraison et ne doit pas être retenue, retardée, prolongée, ou interrompue pour une raison quelconque. Ce produit est également garanti exempt de défauts **cosmétiques** de matériaux et de fabrication (tels que des rayures sur l'acier inoxydable, des taches de peinture/porcelaine, des éclats, des bosses ou d'autres dommages à la finition) du produit, pendant une période de trente (30) jours à compter de la date de livraison ou de la date de clôture pour les nouvelles constructions. La présente garantie **cosmétique** exclut les variations légères de couleur causées par les différences inhérentes entre les sections peintes et les sections en porcelaine, de même que les différences causées par l'éclairage de la cuisine, l'emplacement du produit et autres facteurs similaires. La présente garantie **cosmétique** exclut spécifiquement tous les appareils en montre, de plancher, « tel quel » et remis à neuf.

13.3 Réparation ou remplacement : votre recours exclusif

Pendant cette période de garantie, Bosch ou l'un de ses centres de réparations autorisés réparera gratuitement votre produit (sous réserve de certaines restrictions aux présentes) si celui-ci présente des défauts de matériels ou de fabrication. Si des tentatives raisonnables pour réparer le produit sont vaines, alors Bosch remplacera le produit (un modèle supérieur peut être offert, à la seule discrétion de Bosch, moyennant des frais supplémentaires). Rien dans cette garantie

n'exige que les pièces endommagées ou défectueuses soient remplacées par des pièces d'un type ou d'une conception différent de la pièce d'origine. Toutes les pièces ou les composants enlevés demeurent la seule propriété de Bosch. Toute pièce remplacée ou réparée doit être identique à la pièce d'origine aux fins de la présente garantie et la garantie ne sera pas prolongée en regard de telles pièces. La seule responsabilité de Bosch est de faire réparer le produit défectueux uniquement par un centre de réparation autorisé pendant les heures de travail normales. Pour des raisons de sécurité et de dommages matériels, Bosch vous recommande fortement de ne pas essayer de réparer le produit vous-même ou de faire appel à un prestataire de services non agréé ; Bosch décline toute responsabilité en cas de dommages résultant de réparations ou de travaux effectués par un prestataire de services non agréé. Les centres de réparation autorisés sont les personnes ou les entreprises qui ont été spécialement formées sur les produits Bosch et qui possèdent, selon l'opinion de Bosch, une réputation supérieure pour le service après-vente et la capacité technique (il est à noter qu'elles sont des entités indépendantes et non des agents, partenaires, affiliés ou représentants de Bosch). Néanmoins, le fait de confier l'entretien de votre produit à un atelier de réparation non affilié ou à un revendeur agréé Bosch n'annulera pas cette garantie. De plus, l'utilisation de pièces tierces n'annulera pas cette garantie. Nonobstant ce qui précède, Bosch ne sera pas tenue responsable d'aucune façon si le produit est situé dans une région éloignée (supérieure à 100 miles d'un centre de réparation autorisé) ou n'est pas accessible de façon raisonnable, dans un environnement ou un local dangereux, menaçant ou périlleux; dans une telle éventualité, à la demande du consommateur, Bosch pourrait encore payer les frais de main-d'œuvre et de pièces et expédier les pièces au centre de réparation autorisé le plus près, mais le consommateur serait entièrement responsable pour tous les frais de déplacement et autres frais spéciaux encourus par le centre de réparation, en autant qu'il accepte la demande de réparation. En outre, dans la mesure où vous avez installé le produit dans un endroit difficile d'accès ou si vous avez installé des installations temporaires ou permanentes qui créent des obstacles à l'accès ou au retrait du produit, Bosch n'encourra aucune responsabilité ou n'aura aucune responsabilité pour les travaux ou les coûts associés au déplacement du Produit ou à la création d'un accès au Produit afin de le réparer ou de le remplacer. Tous ces frais seront à votre charge exclusive.

13.4 Produit hors garantie

Bosch n'a aucune obligation, aux termes de la loi ou autrement, d'offrir toute concession, incluant réparation, prorata ou remplacement de produit une fois la garantie expirée.

13.5 Exclusions de garantie

La couverture de garantie décrite dans les présentes exclut tous les défauts ou dommages pour lesquels Bosch serait directement imputable, y compris, sans s'y limiter, l'un ou plusieurs des cas suivants :

- Utilisation du produit autre qu'un usage normal, habituel et de la façon destinée (incluant, sans s'y limiter, toute forme d'utilisation commerciale, d'utilisation ou de rangement d'un produit pour l'intérieur à l'extérieur, d'utilisation du produit de concert avec un transporteur aérien ou marin).
- Mauvaise conduite de toute partie, négligence, mauvaise utilisation, abus, accidents, fonctionnement inadéquat, mauvais entretien, installation inadéquate ou négligente, altération, manquement d'observer les instructions de fonctionnement, mauvaise manipulation, service non autorisé (incluant réparation par le consommateur ou exploration du fonctionnement interne du produit).
- Réglage, modification ou altération de tout type.
- Non conformité aux normes fédérales, provinciales, municipales ou électriques en vigueur au pays, aux codes de plomberie ou du bâtiment, aux réglementations ou aux lois, incluant le non respect d'installer le produit en stricte conformité avec les codes et les réglementations du bâtiment et d'incendie locaux.
- Bris et usure normaux, déversements d'aliments ou de liquides, accumulations de graisse ou d'autres substances dans, sur ou autour du Produit.
- Toute force ou tout facteur externe, élémentaire et / ou environnemental, incluant sans limitation, la pluie, le vent, le sable, les inondations, les incendies, les coulées de boue, le gel, l'humidité excessive ou l'exposition prolongée à l'humidité, la foudre, les surtensions, les problèmes de structure autour de l'appareil et les désastres naturels.
- Demandes de service visant à corriger l'installation de votre Produit, à obtenir des conseils à propos de son utilisation, à remplacer les fusibles de votre maison ou à réparer l'installation électrique ou la plomberie de votre foyer.
- Retrait et remplacement de la garniture ou des panneaux de décoration qui entravent l'entretien du produit.
- Dommages ou défauts résultant de la main-d'œuvre ou de pièces installées par un centre de réparation non autorisé, à moins d'être approuvé par Bosch avant de procéder à sa réparation.

En aucun cas, Bosch ne sera tenue responsable de dommages survenus à la propriété environnantes, incluant les armoires, les planchers, les plafonds et les autres objets ou structures situés autour du produit. Également exclus de la garantie sont les Produits dont les numéros de série ont été modifiés, effacés ou enlevés; les demandes de réparations pour enseigner le fonctionnement du Produit ou les visites où il n'y a aucun problème avec le produit; la correction de problèmes d'installation (le consommateur est seul responsable pour toute structure et tout réglage du Produit, incluant l'électricité, la plomberie et les autres raccordements nécessaires, pour une fondation / plancher approprié[e], et pour toute modification incluant, sans limitation, armoires, murs, planchers,

tablettes, etc.) et le réenclenchement de disjoncteurs ou le remplacement de fusibles.

DANS LA MESURE AUTORISÉE PAR LOI, LA PRÉSENTE GARANTIE PRÉCISE LES RECOURS EXCLUSIFS DONT VOUS DISEZ À L'ÉGARD DU PRODUIT, QUE LA DEMANDE SOIT FONDÉE SUR UN CONTRAT OU DÉLIT (Y COMPRIS RESPONSABILITÉ ABSOLUE OU NÉGLIGENCE) OU AUTRE. LA PRÉSENTE GARANTIE REMPLACE TOUTES LES AUTRES GARANTIES, EXPRESSES OU IMPLICITES. TOUTES GARANTIES IMPLICITES AUX TERMES DE LA LOI, QUE SE SOIT LES GARANTIES DE QUALITÉ MARCHANDE OU D'APTITUDE À UN USAGE PARTICULIER, OU AUTRES, SONT LIMITÉES DANS LE TEMPS À LA DURÉE DE CETTE GARANTIE LIMITÉE EXPRESSE. LE FABRICANT NE SERA EN AUCUN CAS RESPONSABLE DE DOMMAGES CONSÉCUTIFS, SPÉCIAUX, ACCESSOIRES, INDIRECTS OU DE « PERTES COMMERCIALES » ET / OU DE DOMMAGES PUNITIFS, DE PERTES OU DE DÉPENSES, Y COMPRIS SANS S'Y LIMITER, ABSENCE DU TRAVAIL, FRAIS D'HÔTEL ET / OU FRAIS DE RESTAURANT, FRAIS DE REMANIEMENT EN EXCÉDENT DES DOMMAGES DIRECTS QUI SONT DÉFINITIVEMENT CAUSÉS EXCLUSIVEMENT PAR BOSCH, OU AUTREMENT. CERTAINS ÉTATS N'AUTORISENT PAS L'EXCLUSION OU LA LIMITATION DE DOMMAGES ACCESSOIRES OU CONSÉCUTIFS, ET CERTAINS ÉTATS N'AUTORISENT PAS LA LIMITATION DE LA DURÉE DES GARANTIES IMPLICITES. PAR CONSÉQUENT, LES EXCLUSIONS OU LES LIMITES SUSMENTIONNÉES POURRAIENT NE PAS VOUS CONCERNER. LA PRÉSENTE GARANTIE VOUS DONNE DES DROITS PRÉCIS RECONNUS PAR LA LOI ET VOUS POUVEZ ÉGALEMENT AVOIR D'AUTRES DROITS QUI VARIENT D'UN ÉTAT À L'AUTRE.

Aucune tentative de modifier, changer ou amender la présente garantie ne peut être valide sans le consentement écrit autorisé par un dirigeant de BSH.

13.6 Obtention du service de garantie

Pour obtenir le service de garantie de votre produit, vous devez contacter le service client Bosch au 1-800-944-2904 pour planifier une réparation.

13.7 Information sur le produit

Pour référence pratique, copiez l'information ci-après de la plaque signalétique. Conservez votre facture et/ou vos documents de livraison pour la validation de la garantie.

Numéro de modèle
(E-Nr.)

Numéro de
fabrication (FD)

Date de livraison



Register your appliance to enjoy customized benefits.

Thank you for being a Bosch customer!

Simply create a MyBosch account, then register your appliance.

You'll find a variety of customized information in MyBosch such as:

- **Discounts for filters, cleaners, accessories & parts**
- **Easy access to manuals & appliance specifications**
- **Easy access to part lists**
- **Customized offer for the Bosch Appliance Service Plan (sent by mail after appliance registration)**

Register here:

www.bosch-home.com/us/owner-support/mybosch



Looking for help? You'll find it here.

No matter what, no matter when: Bosch is here to support you.

We're here to assist with usage instructions, cleaning tips, accessories & parts, troubleshooting, and repairs.

Find online resources such as FAQs, how-to-videos, manuals, warranties and authorized Bosch servicers at:

www.bosch-home.com/us/owner-support/get-support

Contact us:

Please have your model Number (E-Nr) ready when contacting us.

1-800-944-2904

www.bosch-home.com/us/owner-support/contact-us

BSH Home Appliances Corporation

1901 Main Street, Suite 600

Irvine, CA 92614

USA

www.bosch-home.com

1-800-944-2904

© 2026 BSH Home Appliances Corporation



8001327816 (060424)

en-us, fr-ca