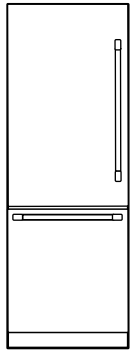
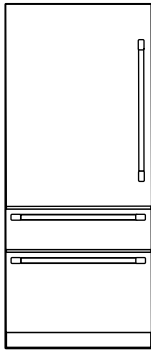
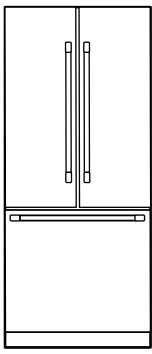
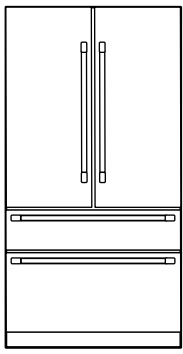
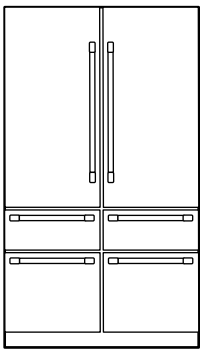
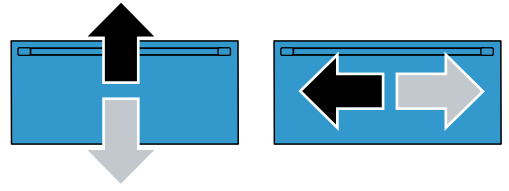
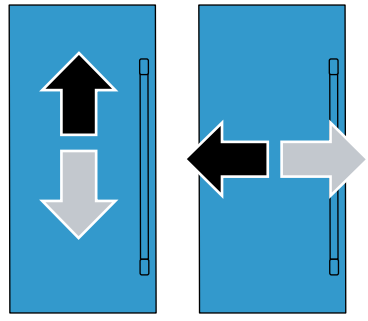
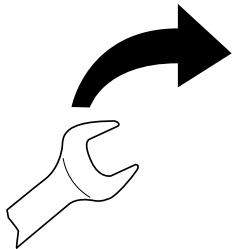


9001975697 (051208)



in (mm)

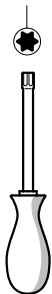




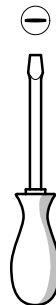
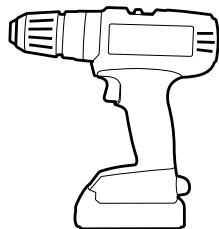
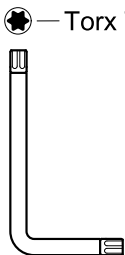
Torx
T 20



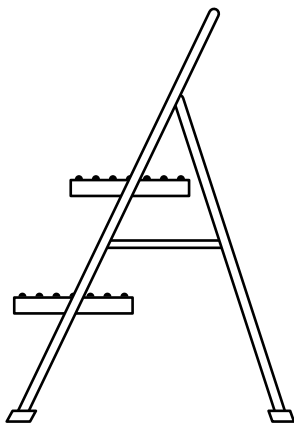
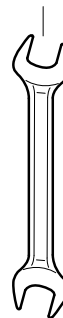
Torx
T 20

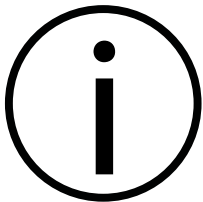


Torx T20

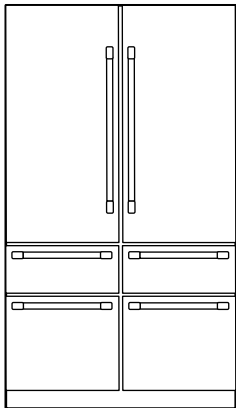


SW13

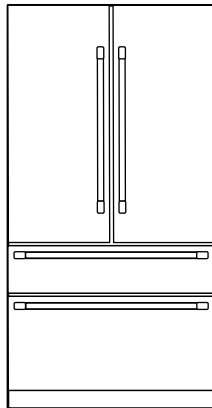




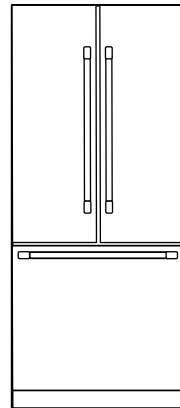
A T48BT...S



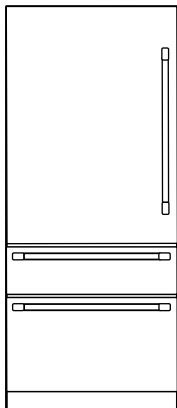
B T42BT...S
T36BT...S



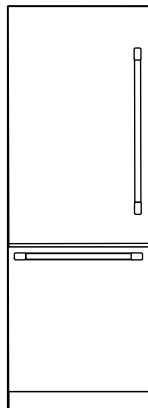
C B36BT...S



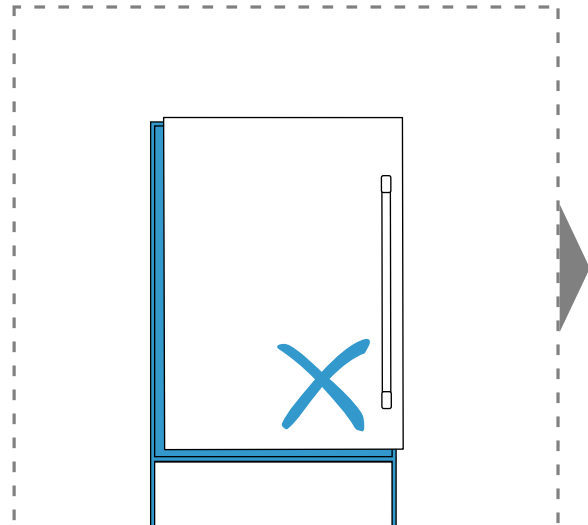
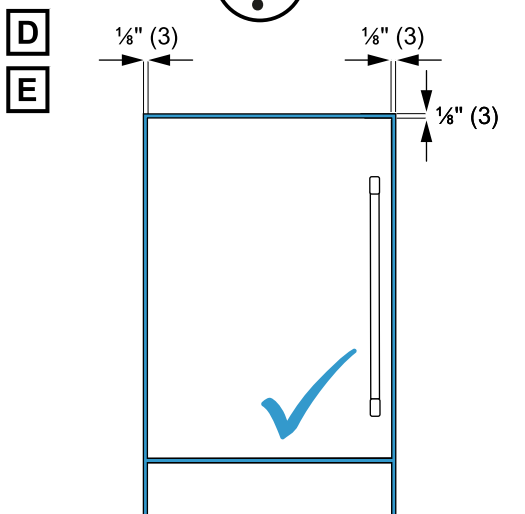
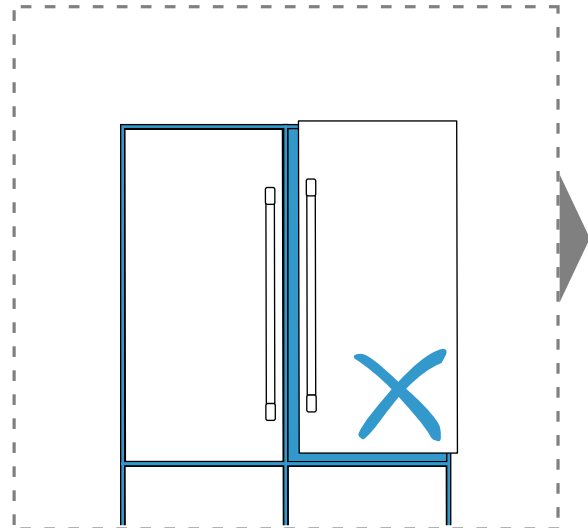
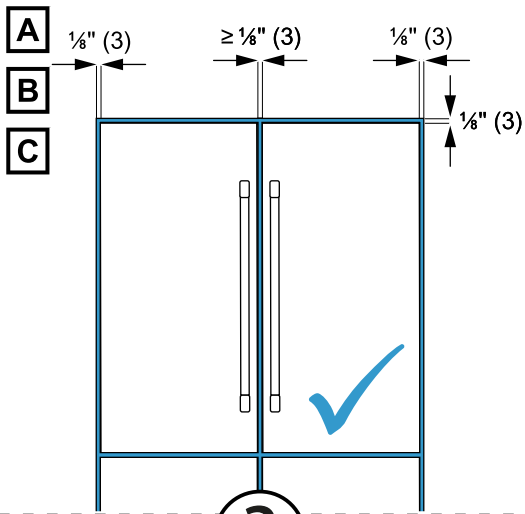
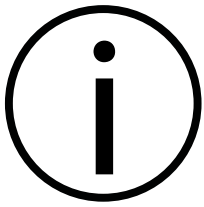
D T36BB...S

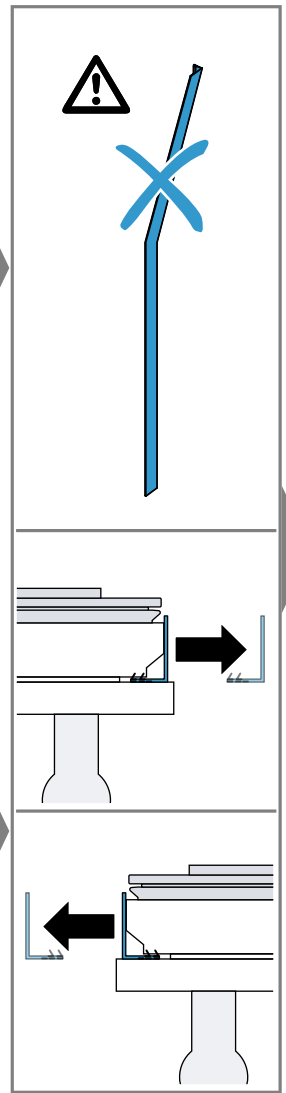
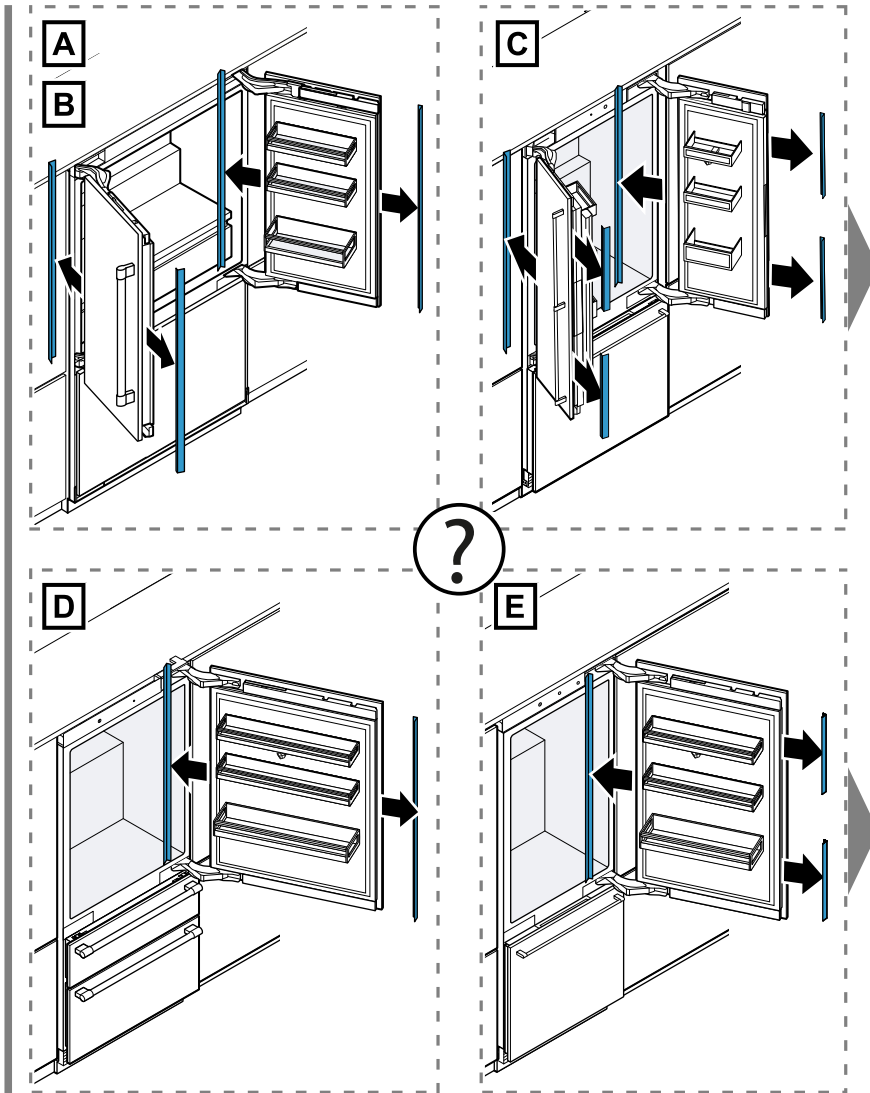


E B30BB...S
T30BB...S

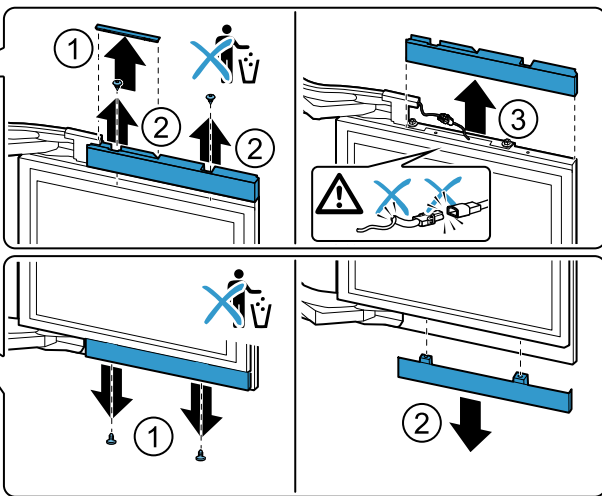
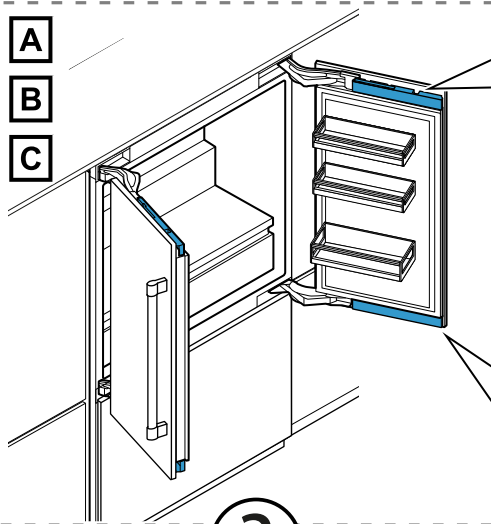


A,B,C,D,E ?



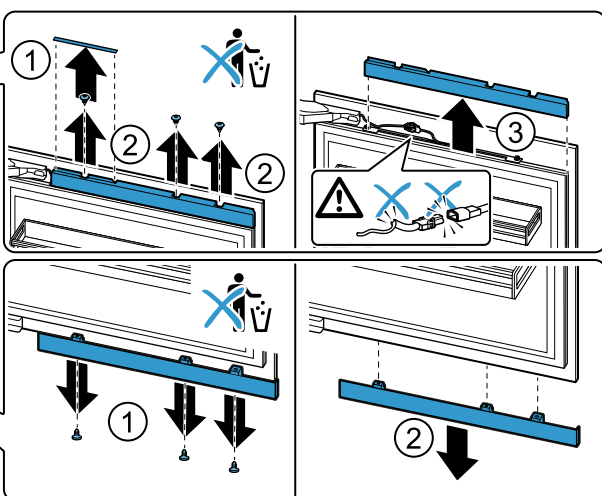
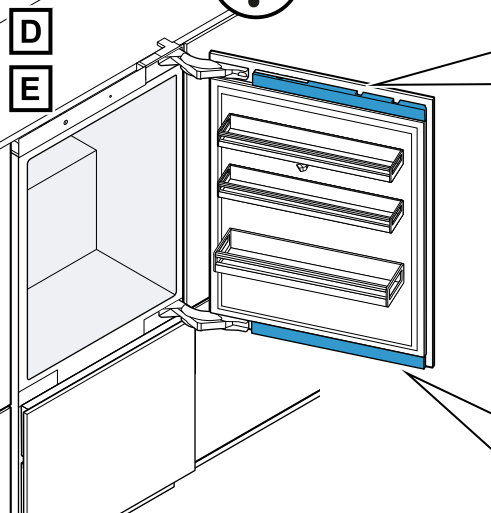


A
B
C

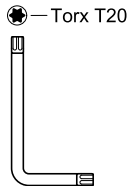


?

D
E

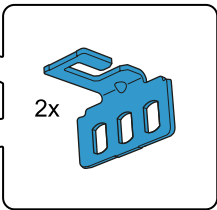
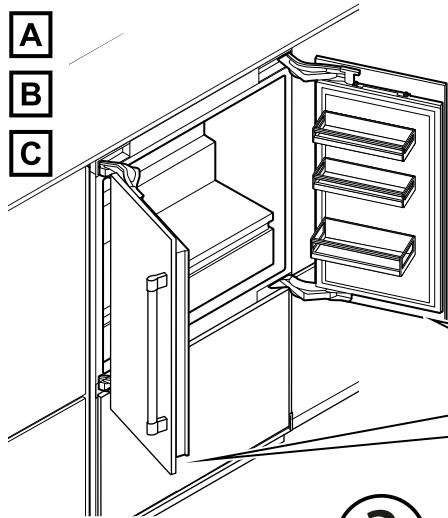


1/4" (6,35 mm)



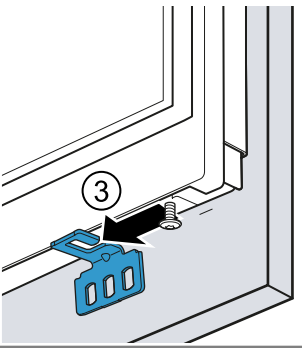
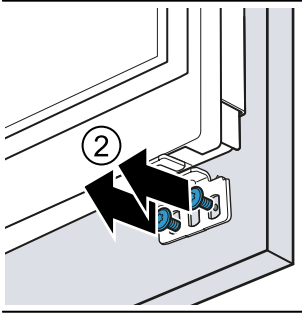
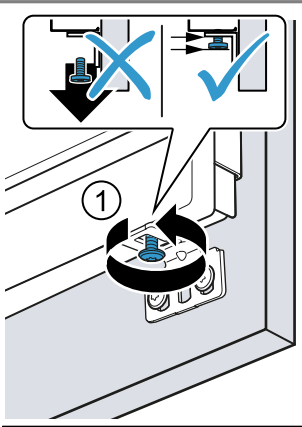
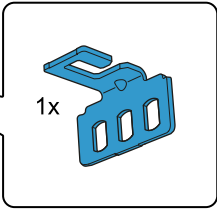
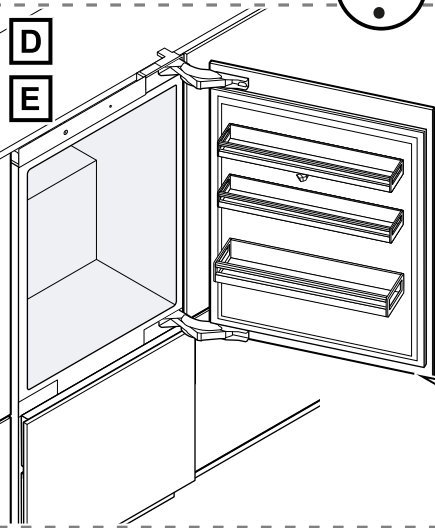
Torx T 20

A
B
C



?

D
E

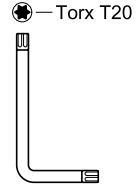
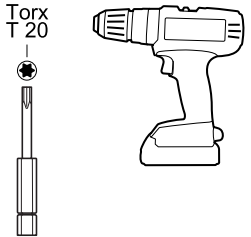
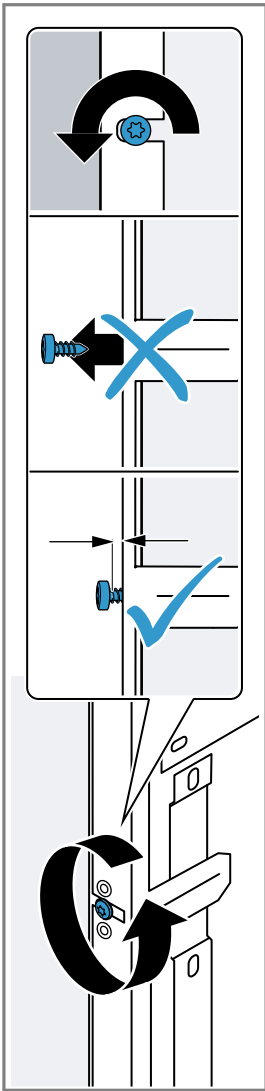
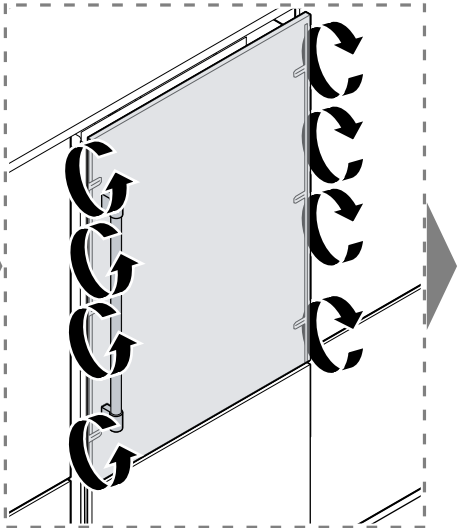
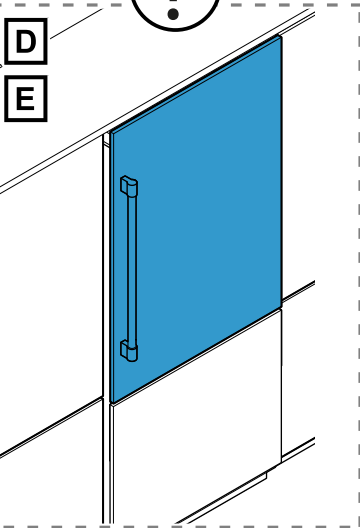
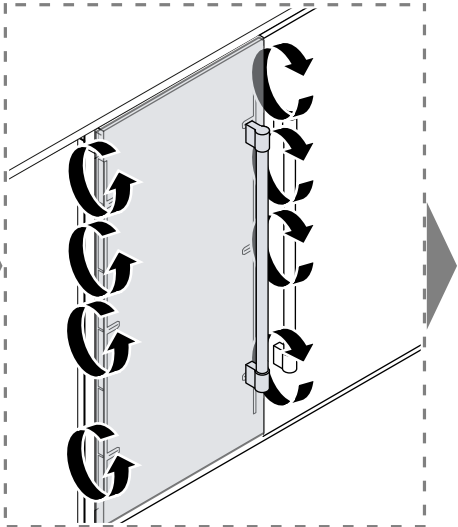
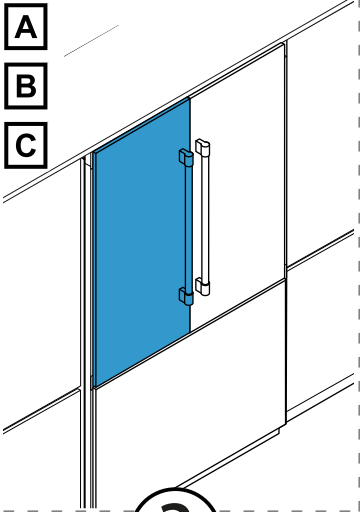


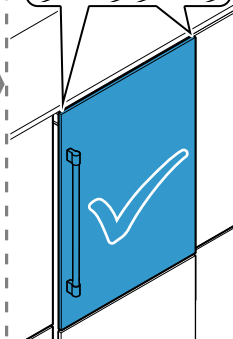
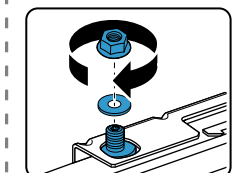
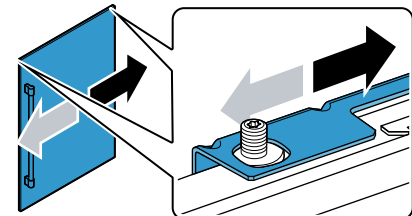
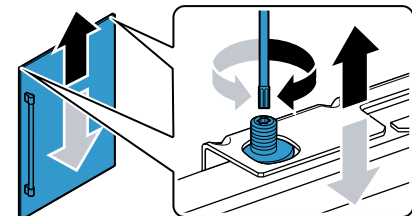
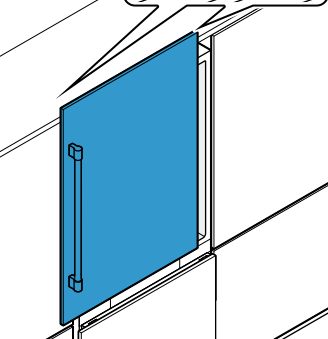
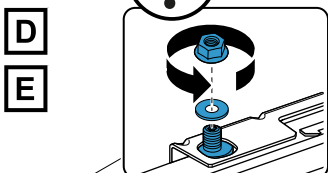
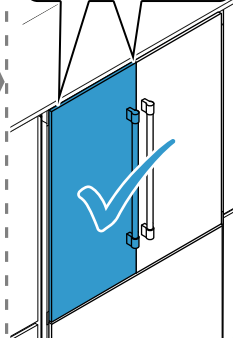
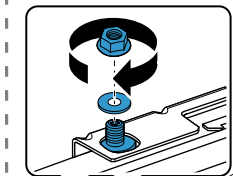
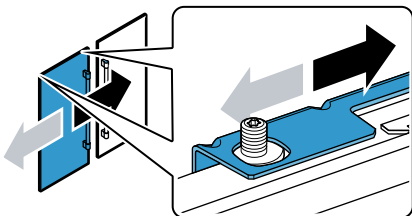
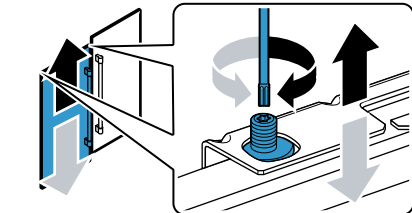
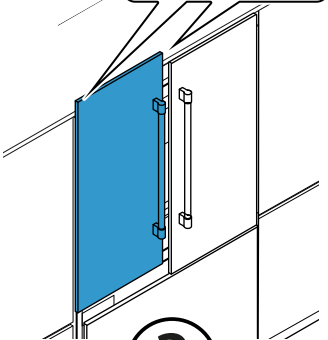
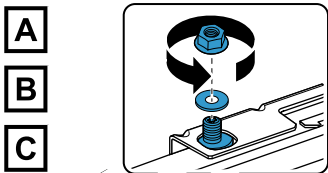
Torx
T 20



Torx T20





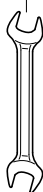
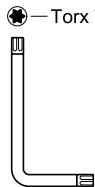


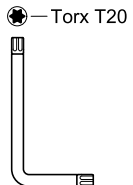
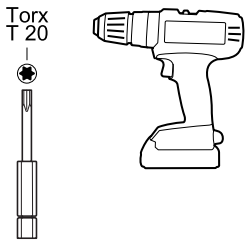
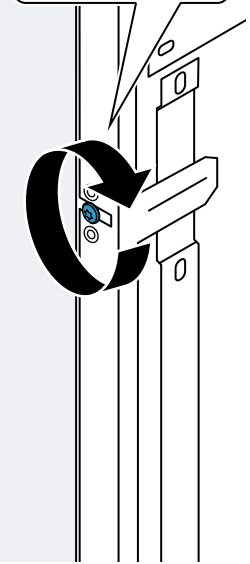
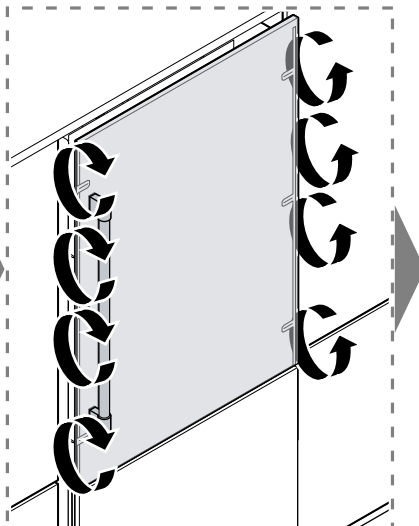
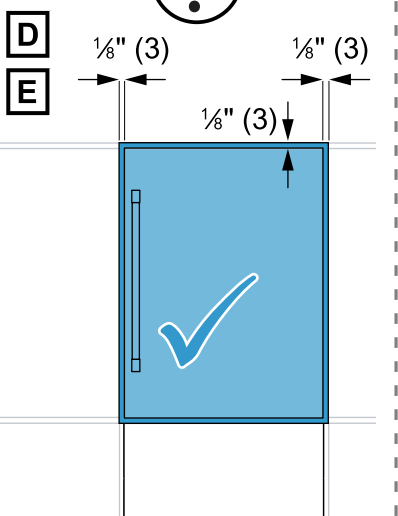
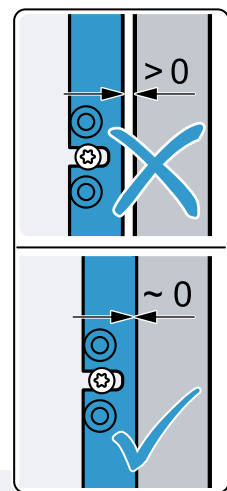
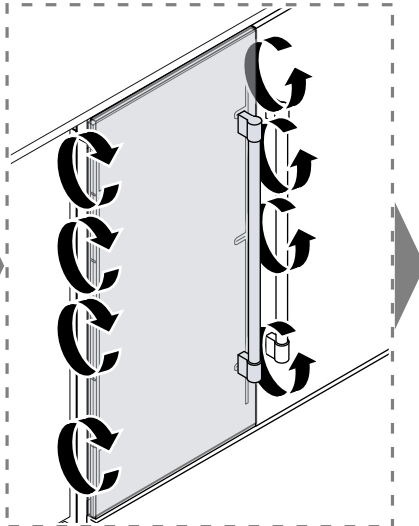
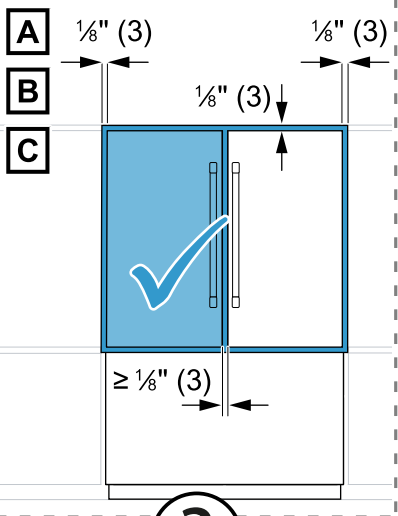
Torx
T 20



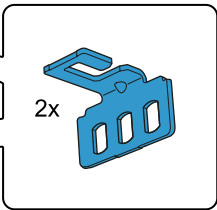
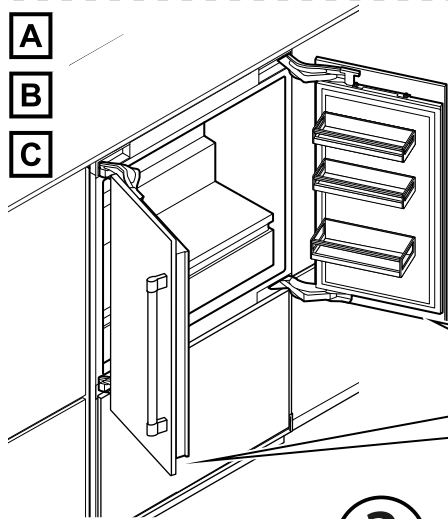
SW13

Torx T20



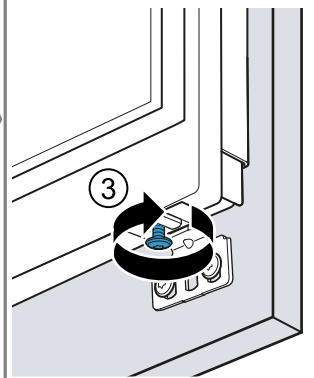
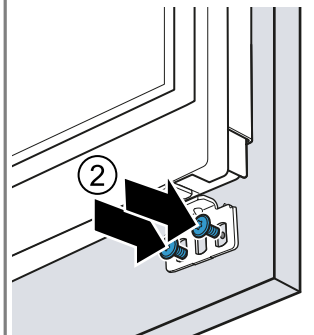
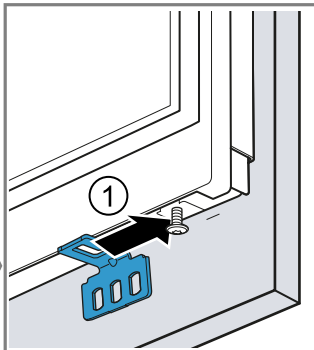
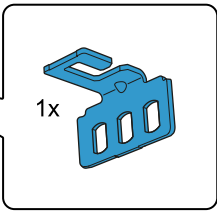
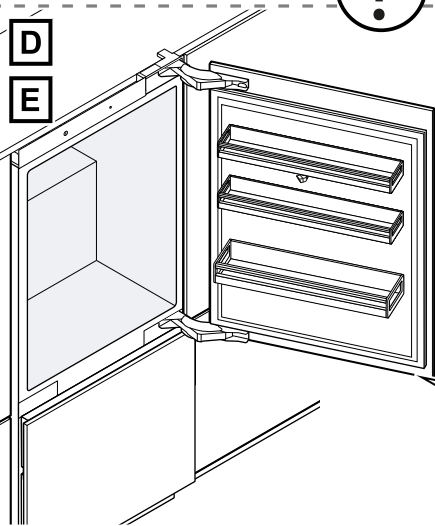


A
B
C



?

D
E

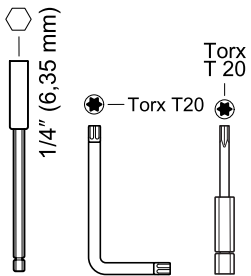
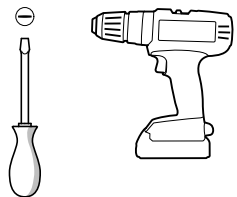
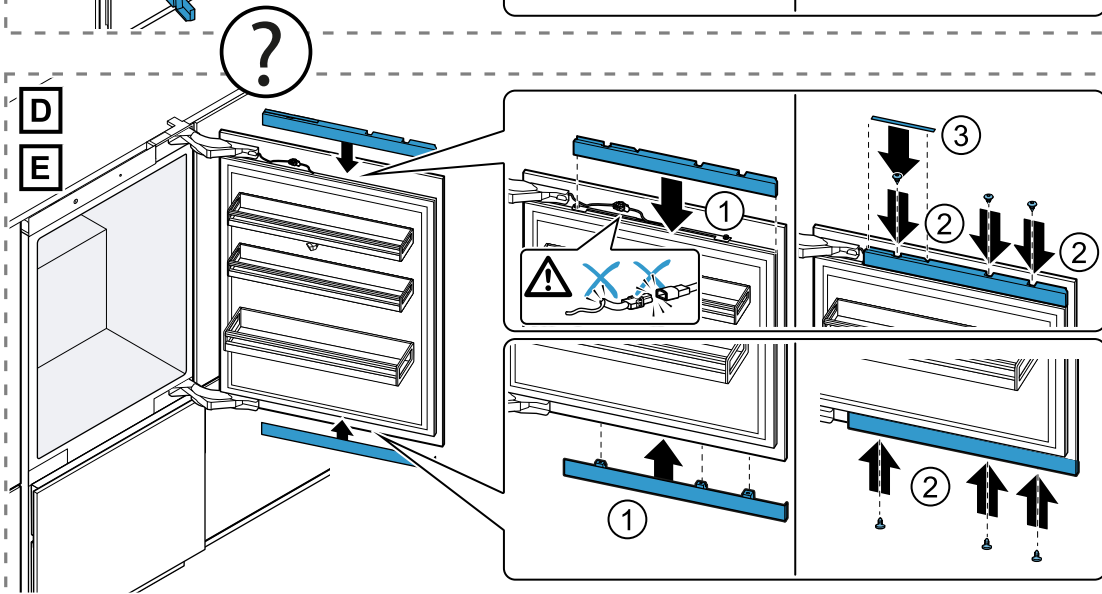
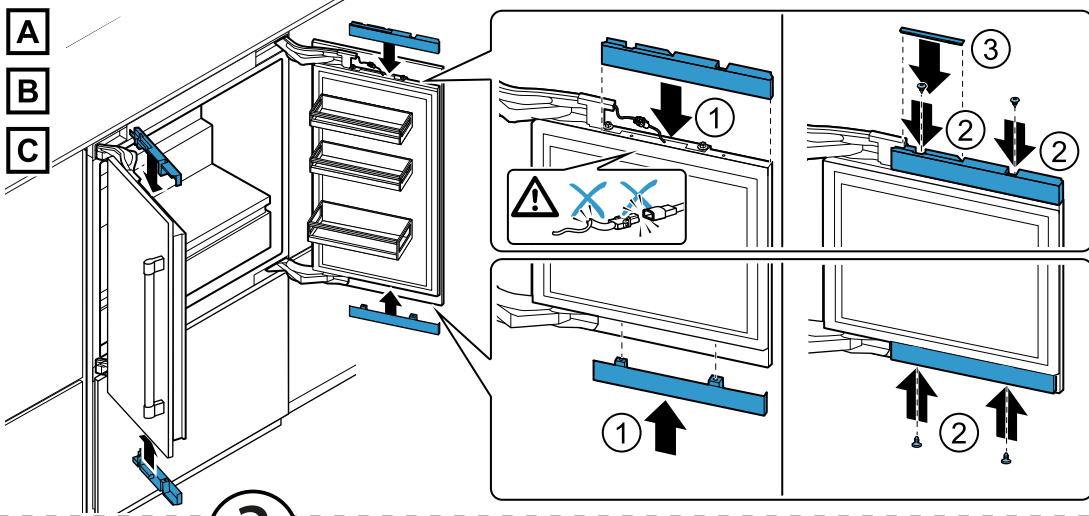


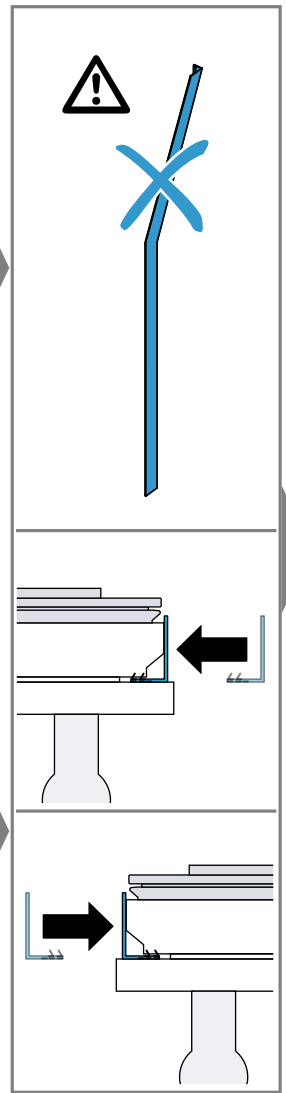
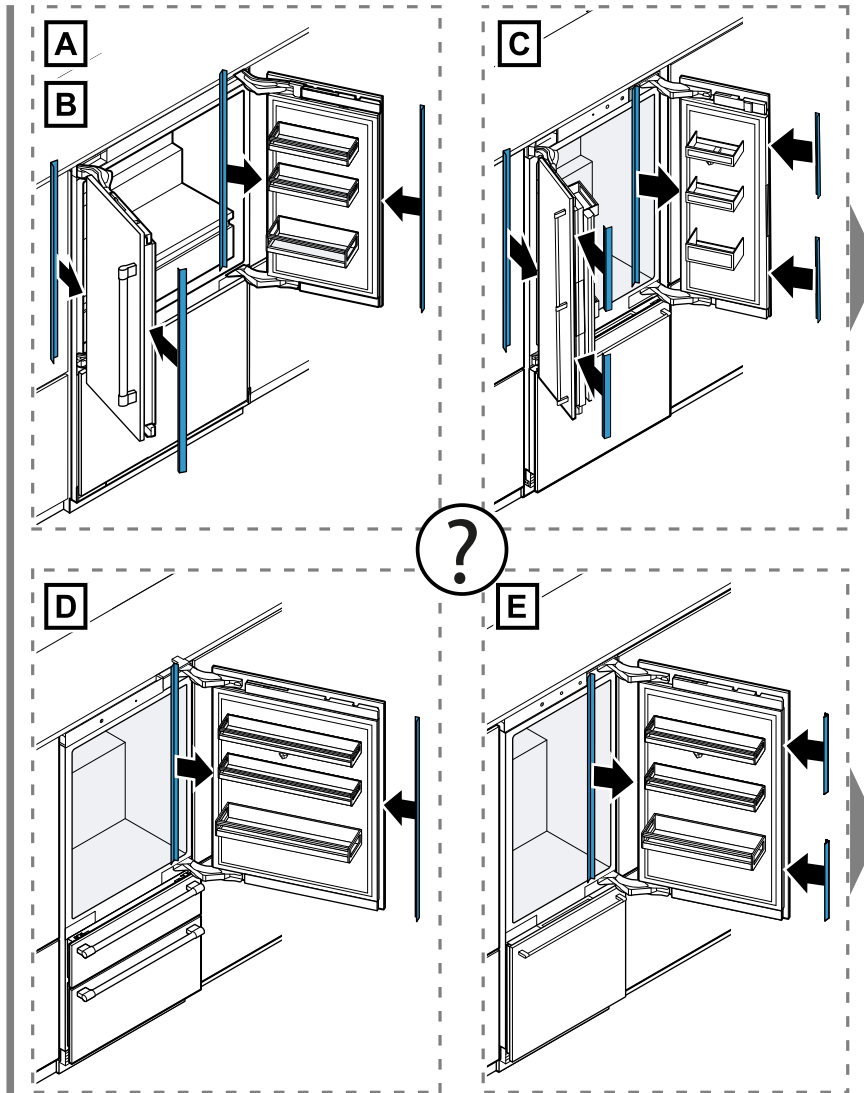
Torx
T 20

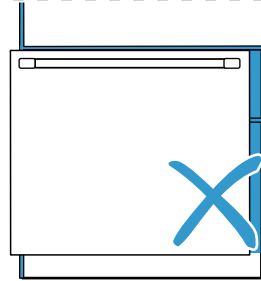
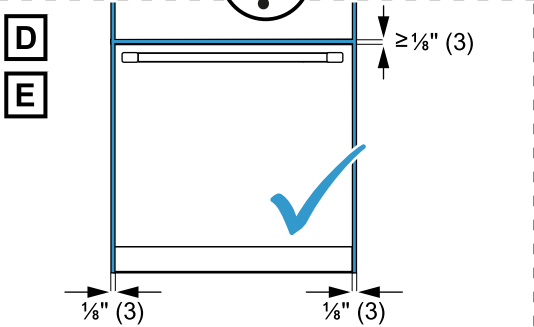
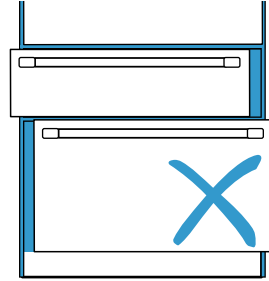
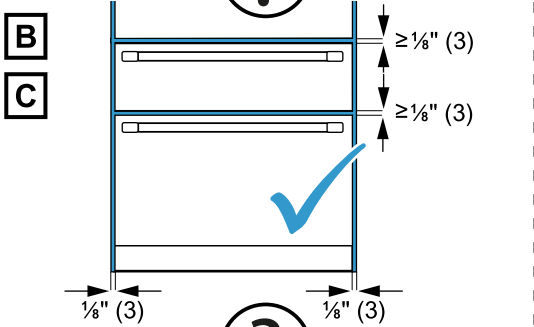
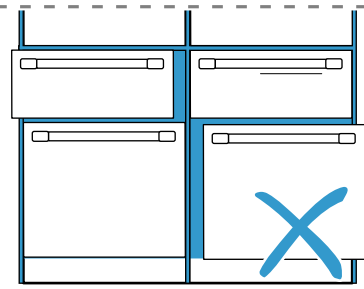
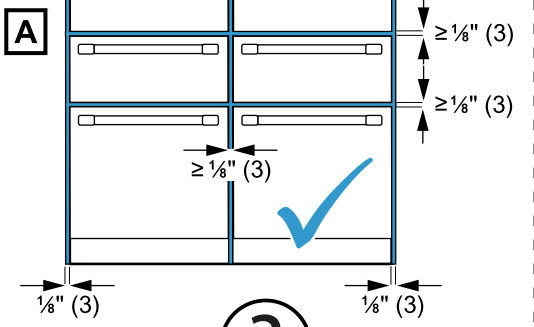
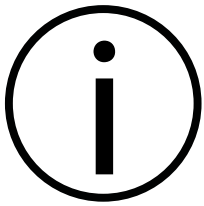


Torx T20

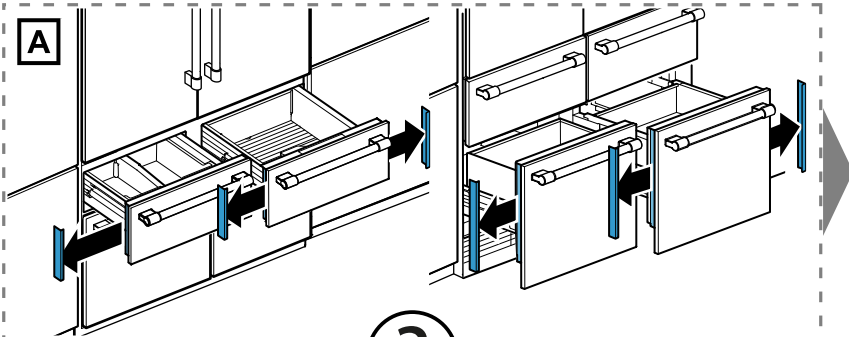






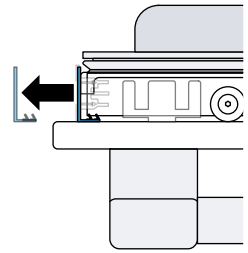
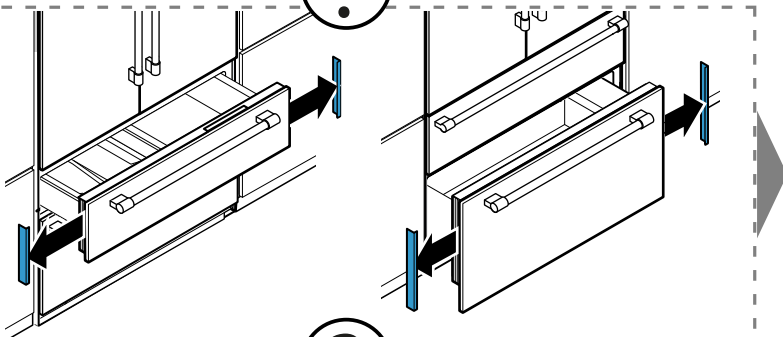


A



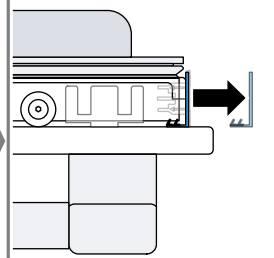
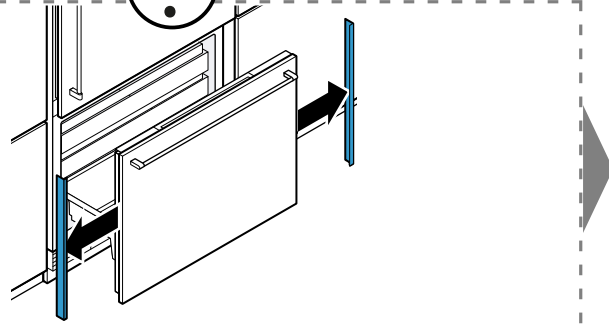
B

D

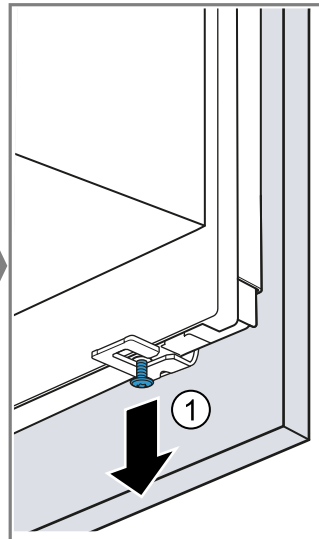
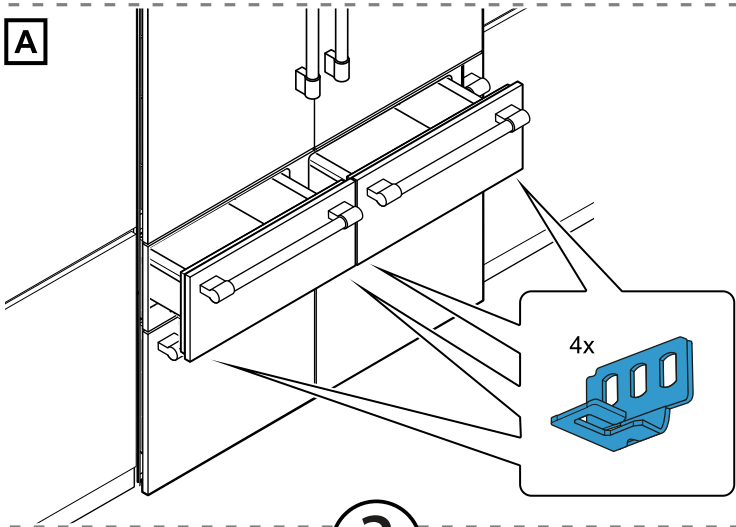


C

E



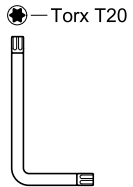
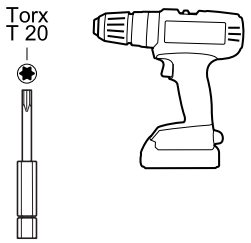
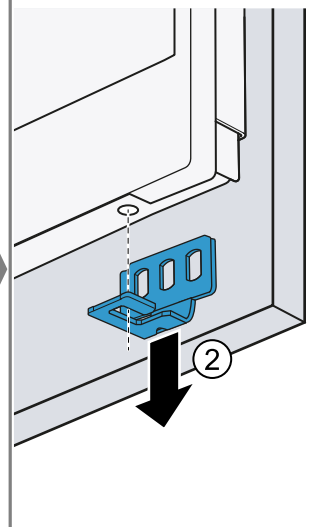
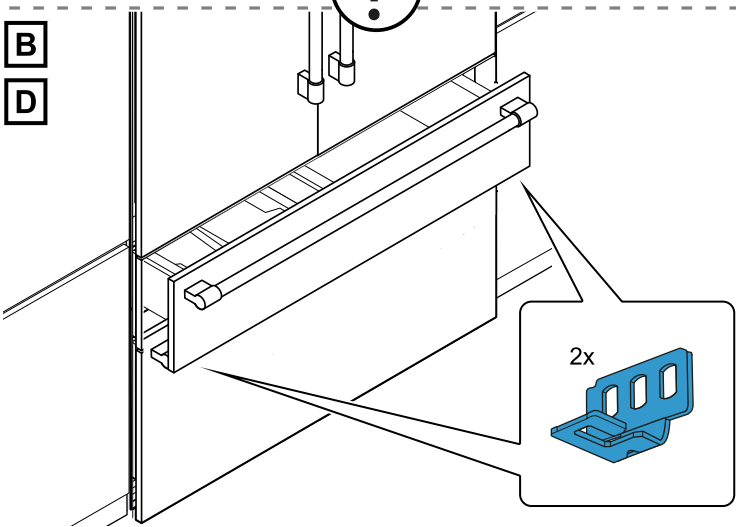
A



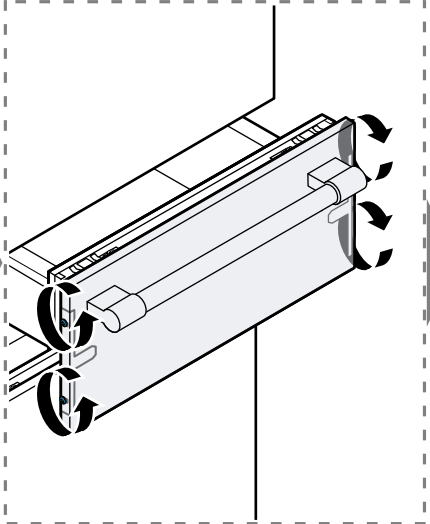
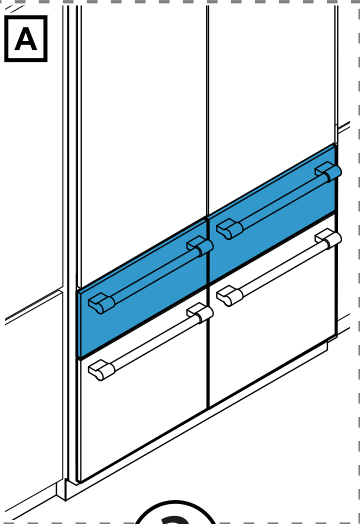
?

B

D

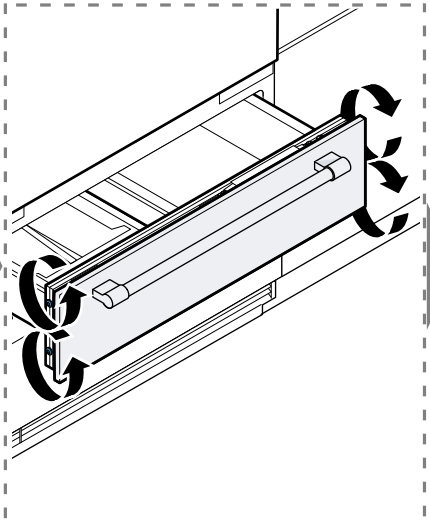
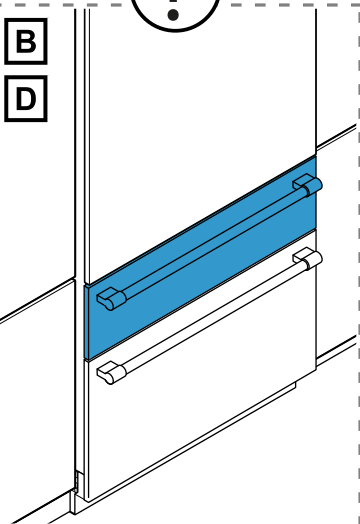


A

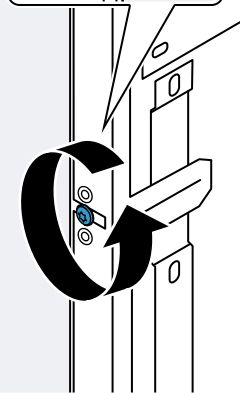
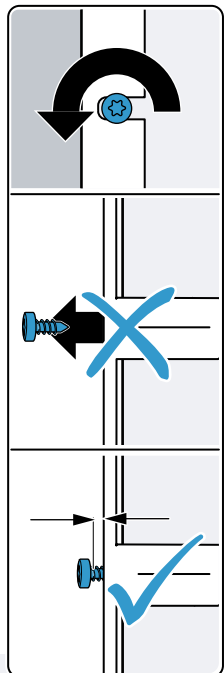


?

B



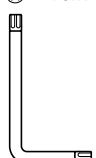
D

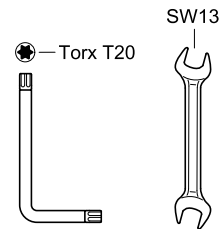
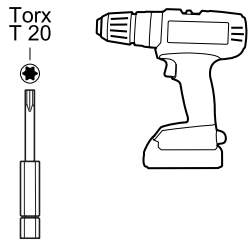
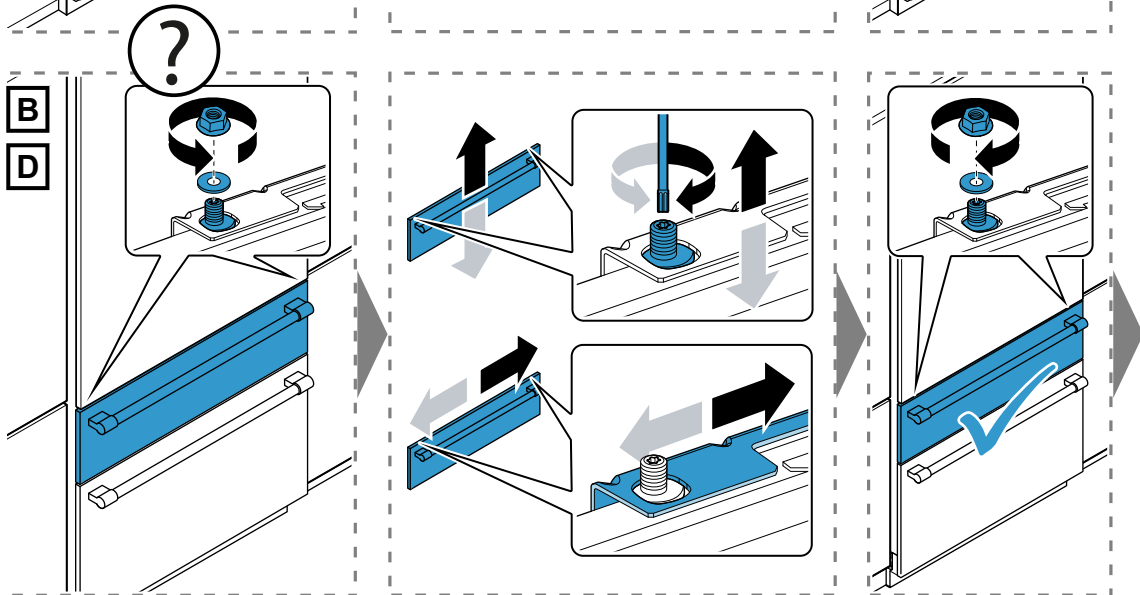
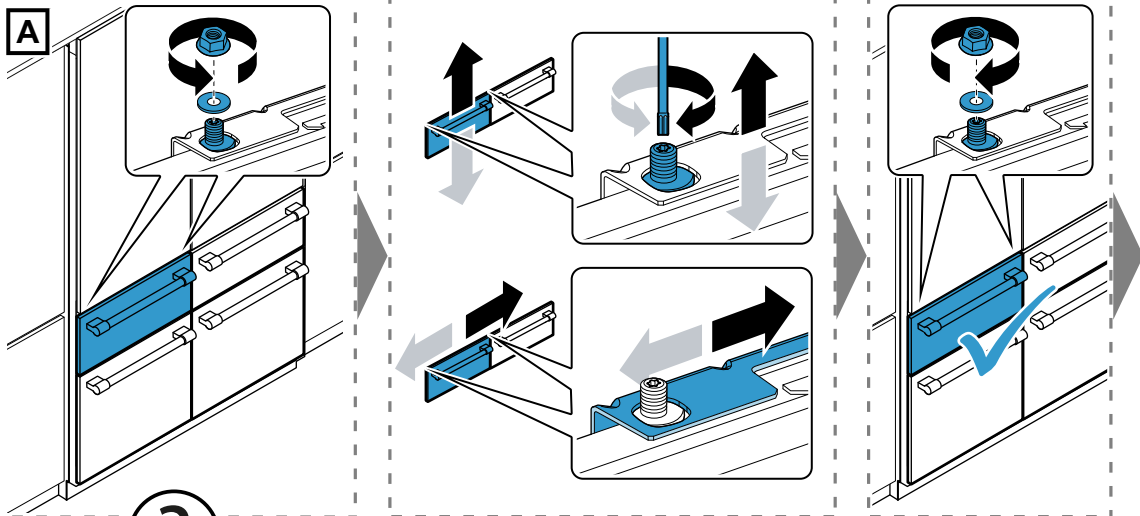


Torx
T 20

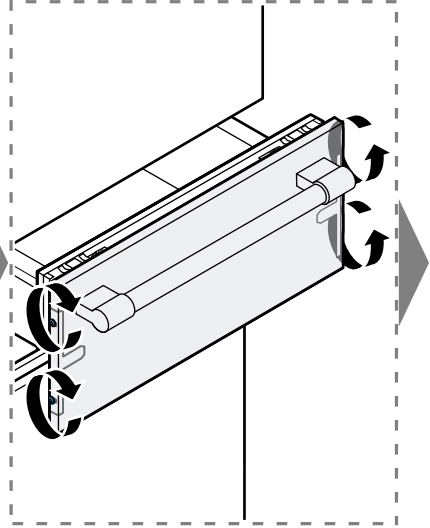
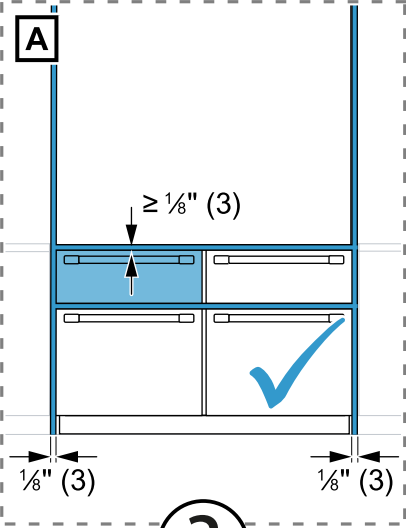


Torx T20



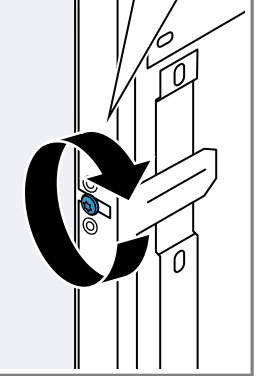
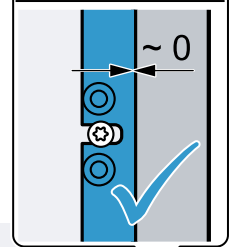
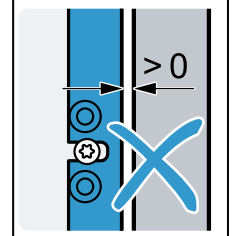
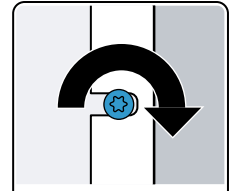
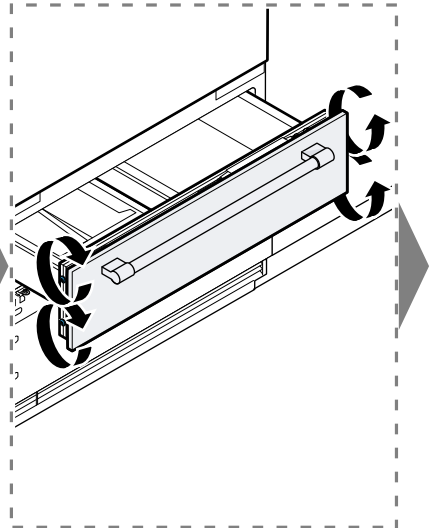
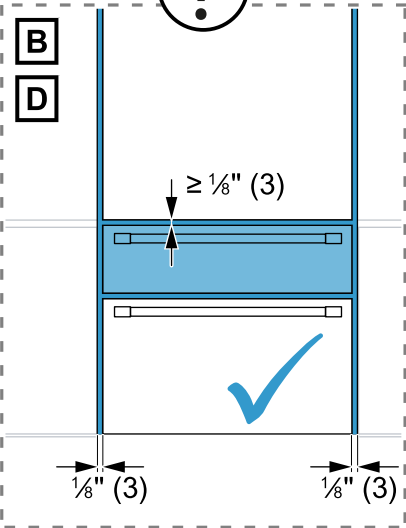


A



B

D

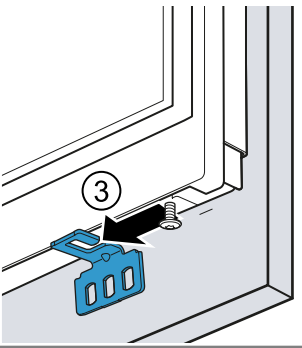
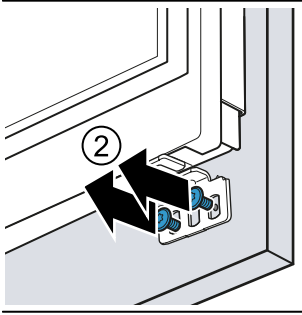
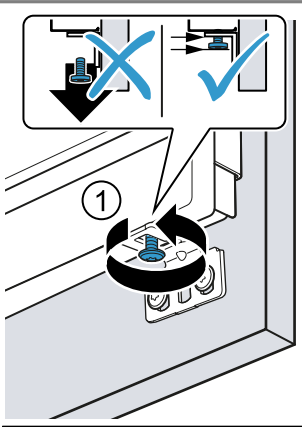
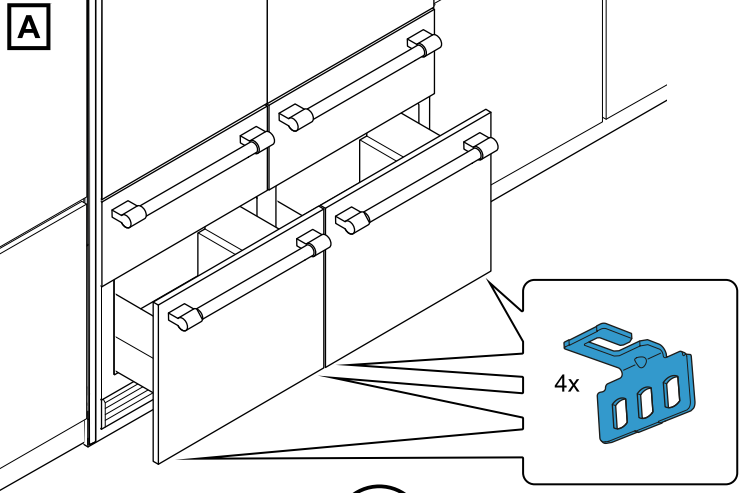


Torx T 20

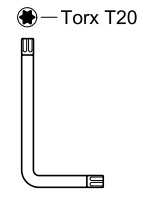
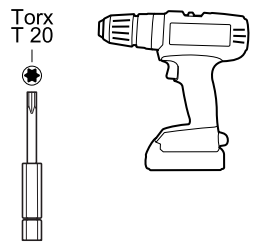
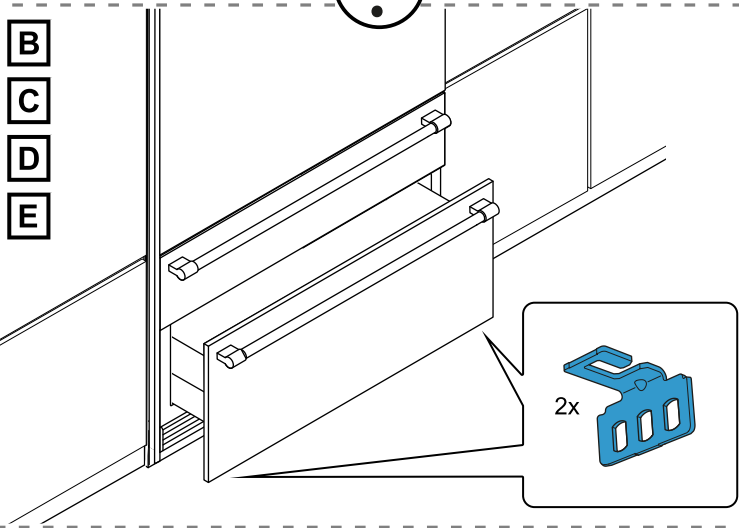


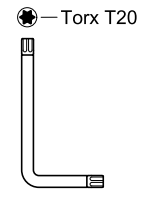
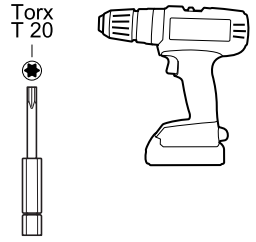
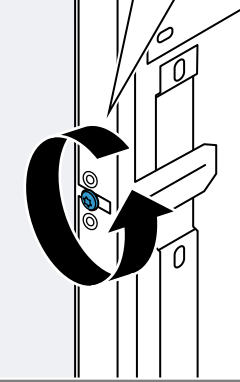
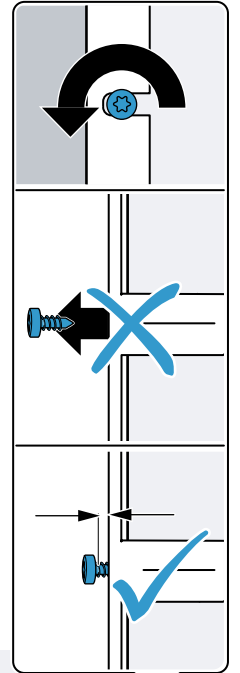
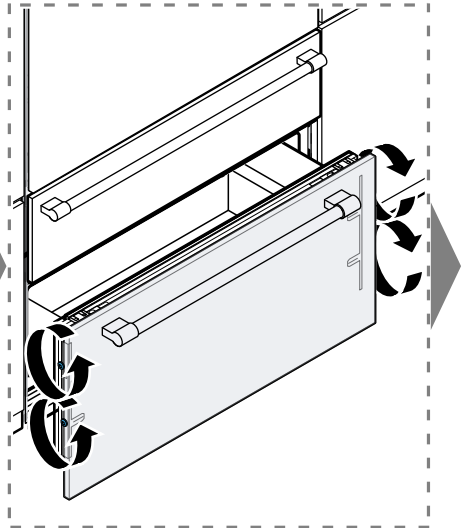
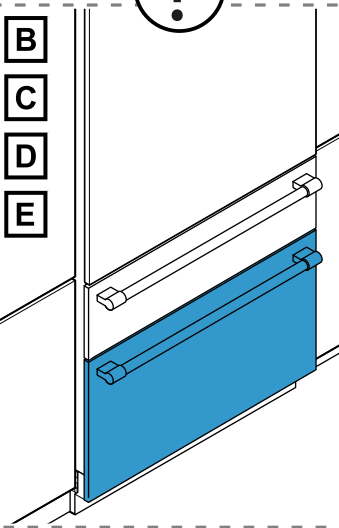
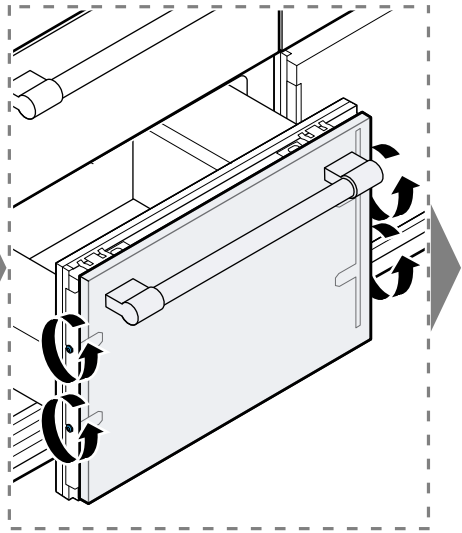
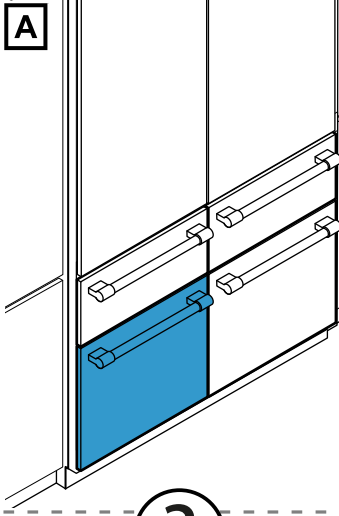
Torx T20

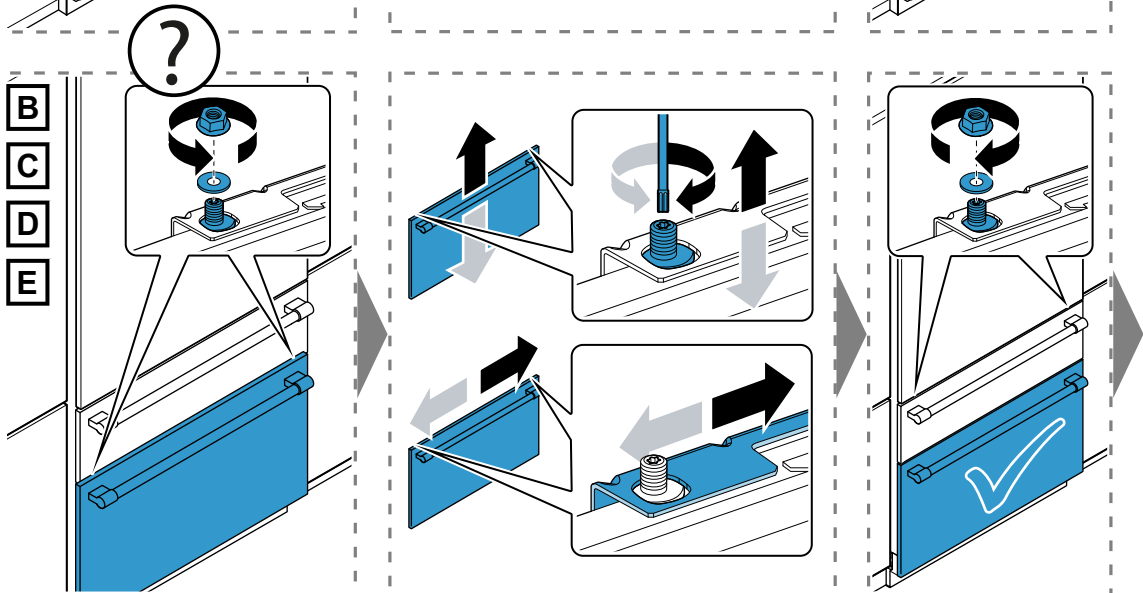
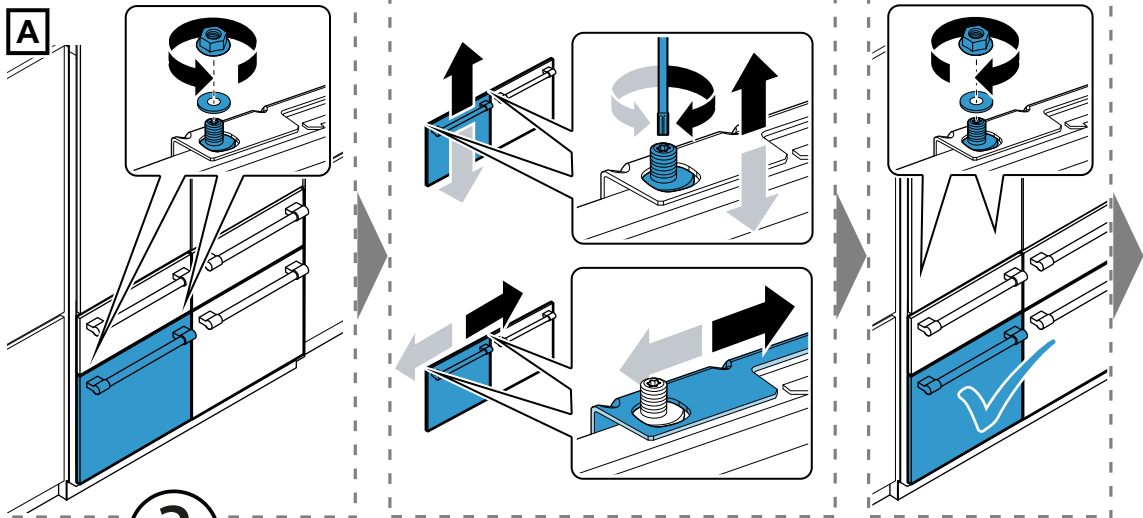




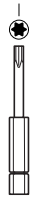
?





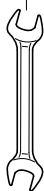
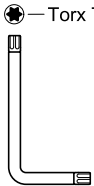


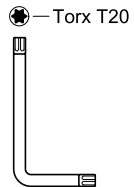
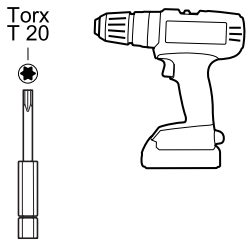
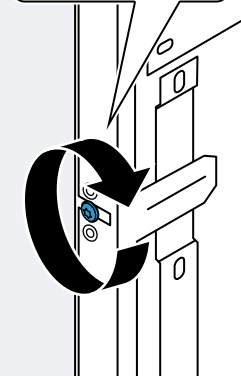
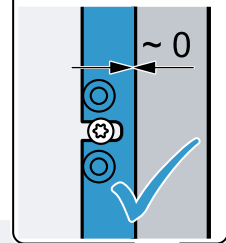
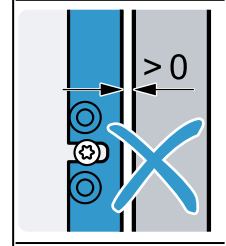
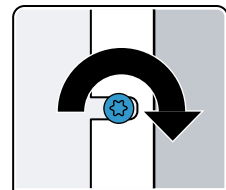
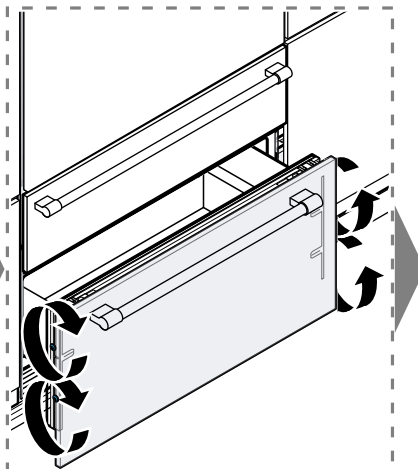
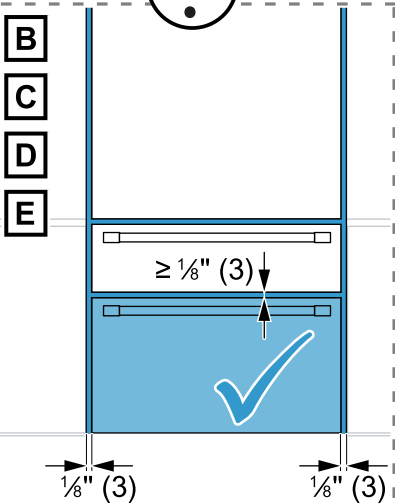
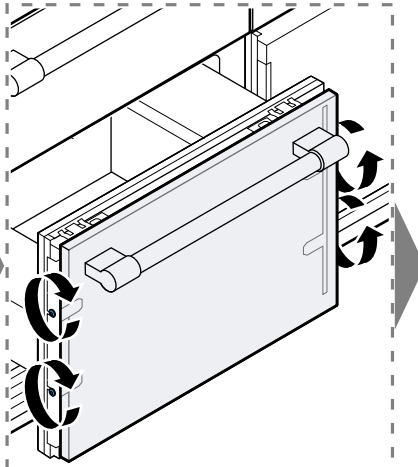
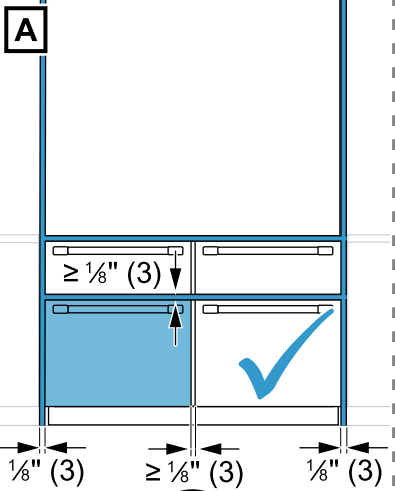
Torx
T 20



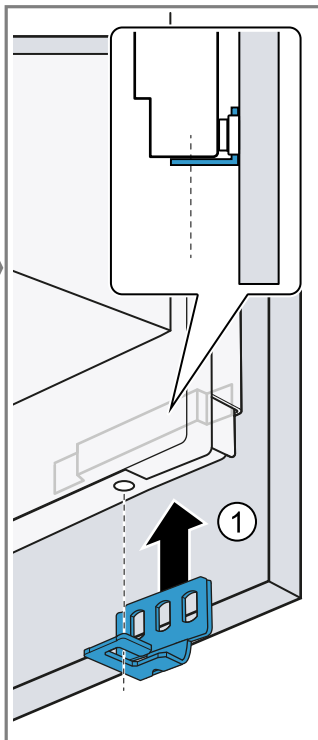
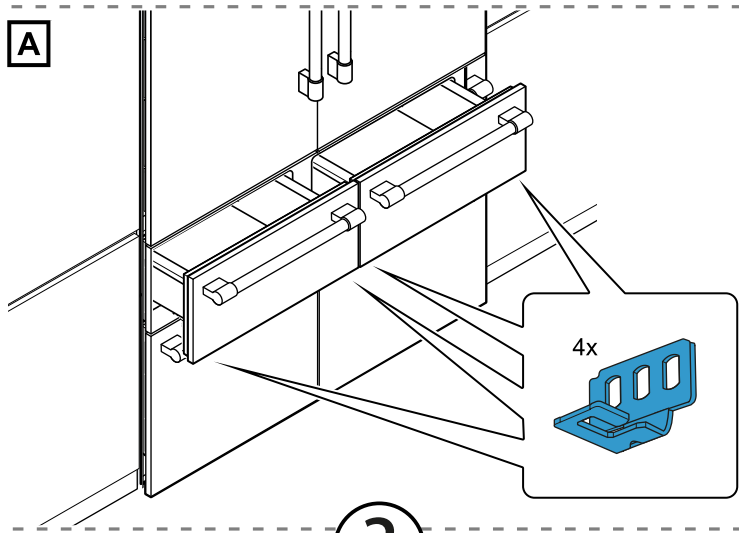
SW13

Torx T20





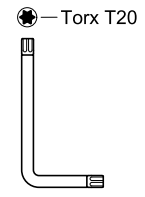
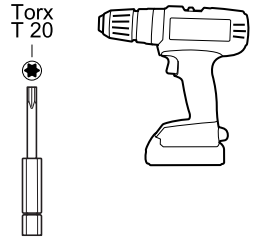
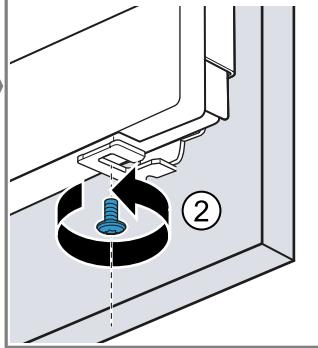
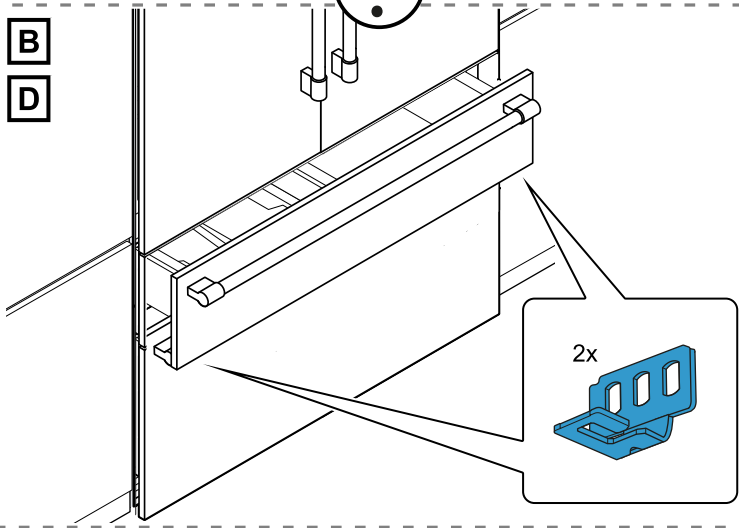
A



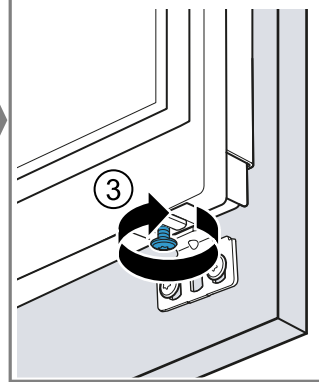
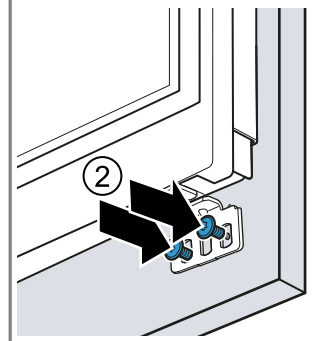
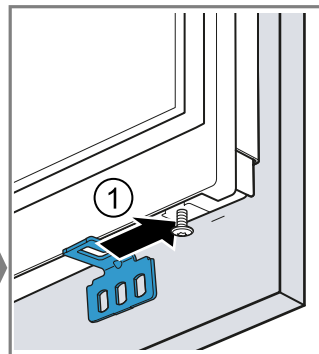
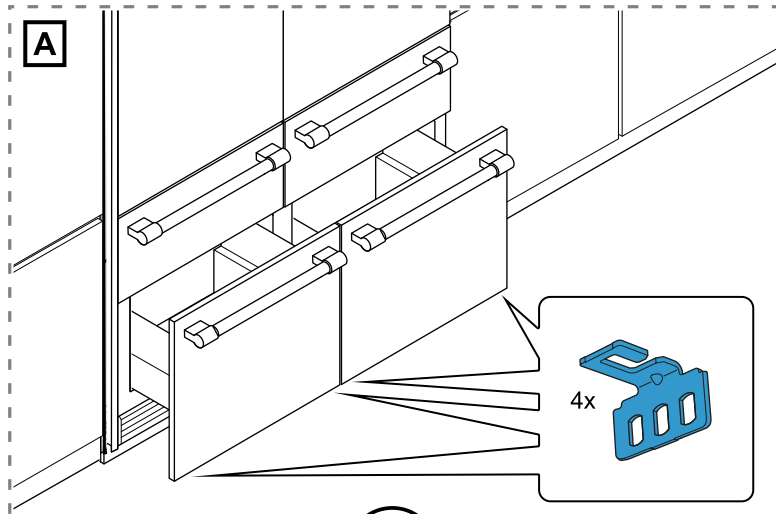
?

B

D



A



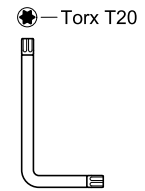
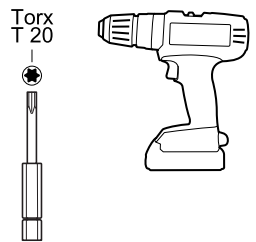
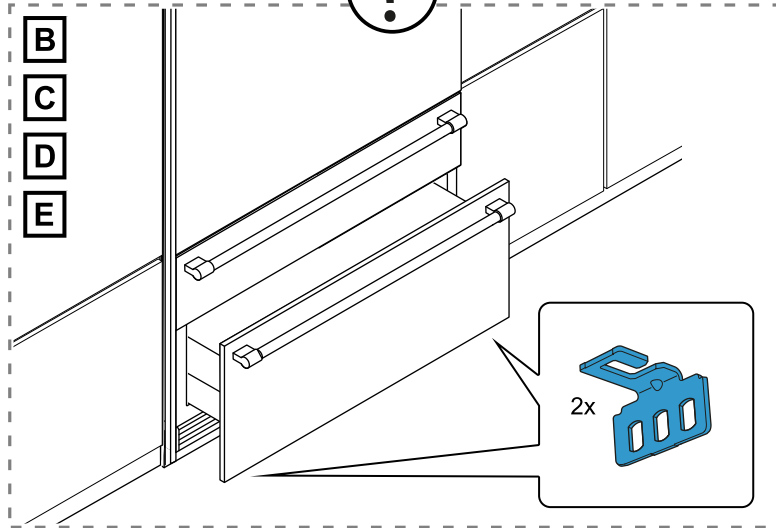
?

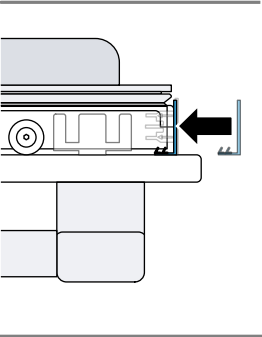
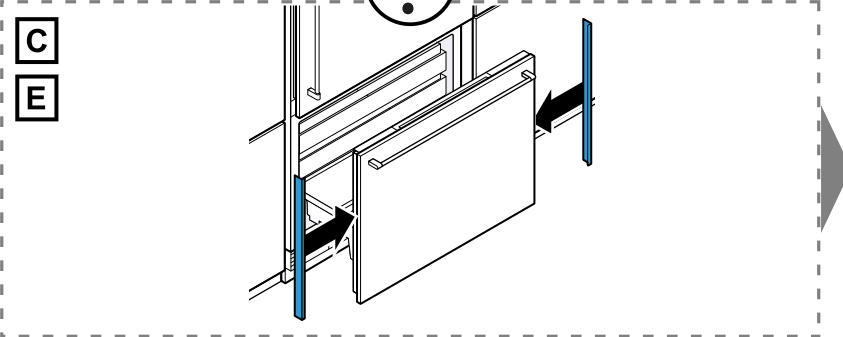
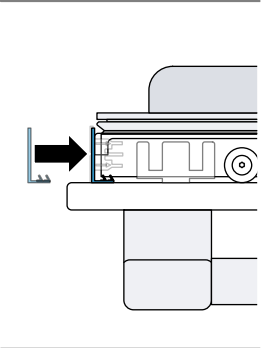
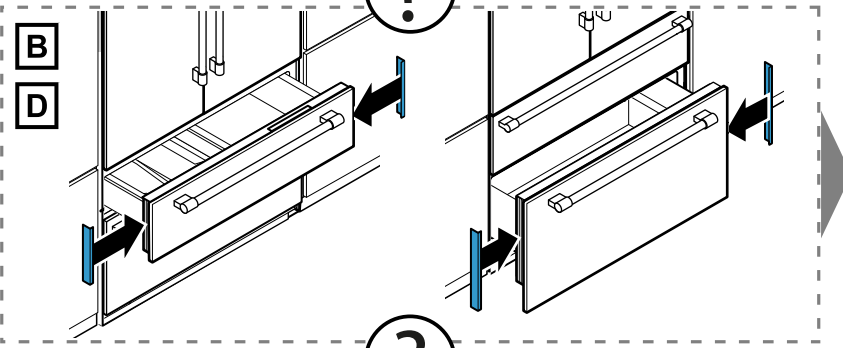
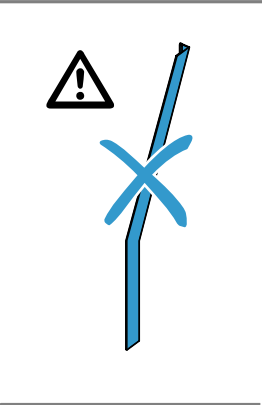
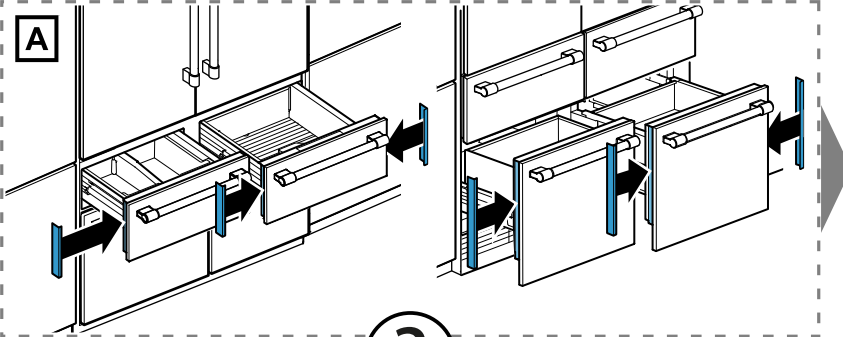
B

C

D

E







A series of horizontal lines for writing, starting from the top of the page and extending to the bottom, with a vertical margin line on the left side.

