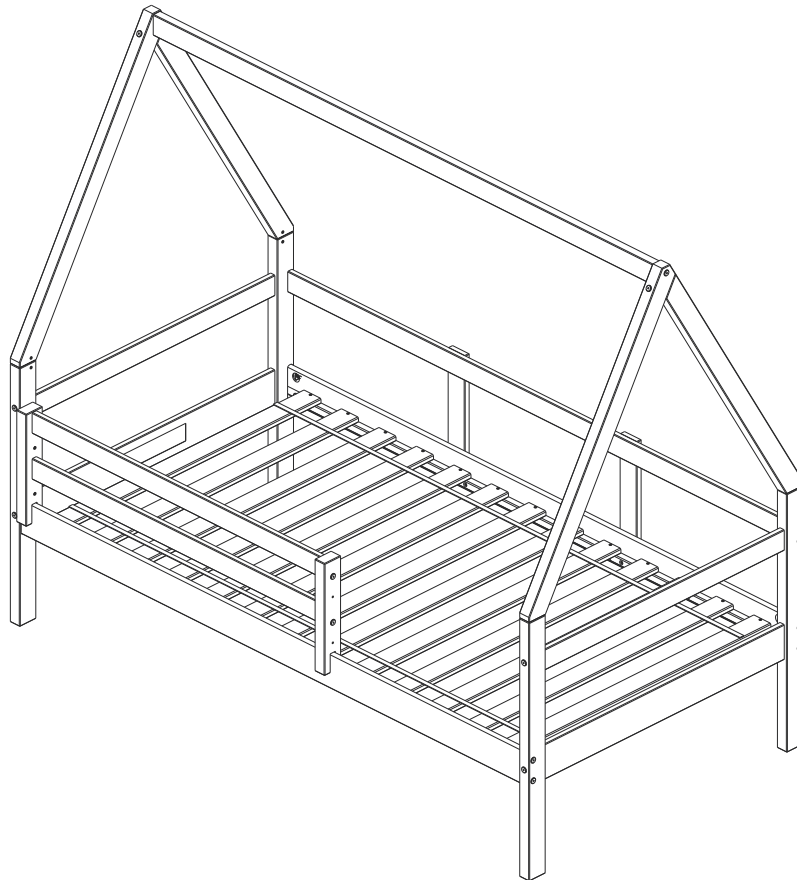


Fort Worth, Texas 76140

ASSEMBLY INSTRUCTIONS

2310-T A FRAME HOUSE BED

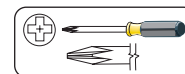


Thank you for purchasing this quality product. Be sure to check all packing material carefully for small parts which may have come loose inside the carton during shipment. Separate, identify and count all parts and hardware. Compare with the parts list to make sure that all parts are included.

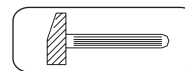
”DO NOT TIGHTEN SCREWS UNTIL COMPLETELY ASSEMBLED”



Tools Required



(Not included)



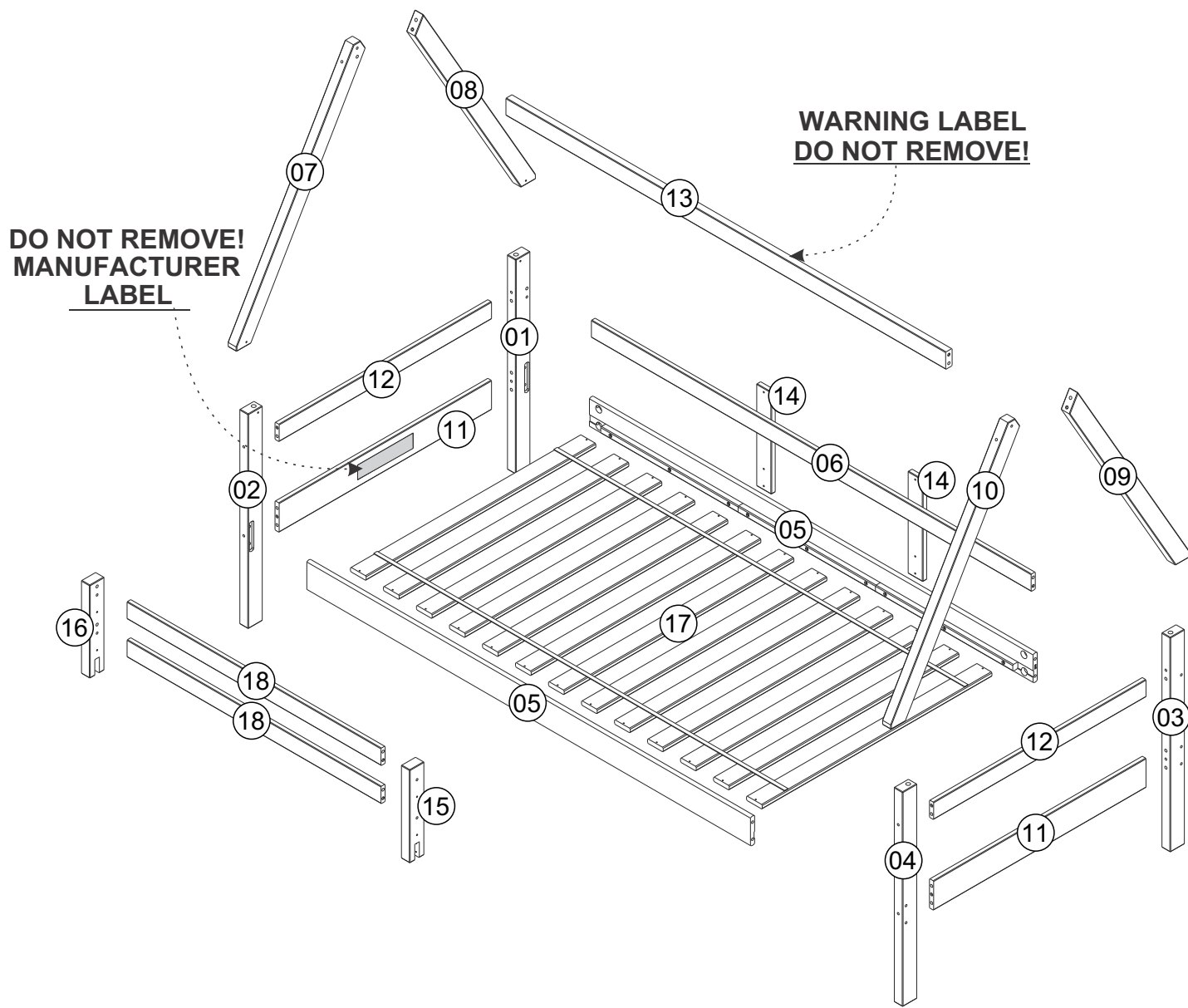
(Not included)

*Use of power tool to assemble this product will invalidate any claim and damage this product making unsafe !
*Please assemble on a clean soft surface to avoid damage.

IMPORTANT:

PLEASE READ INSTRUCTION BEFORE STARTING THE ASSEMBLY

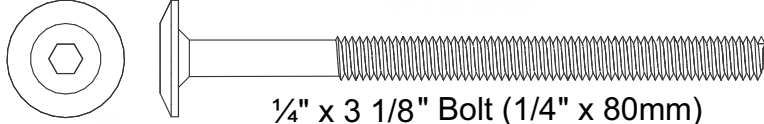
Part List: 2310-T A FRAME HOUSE BED



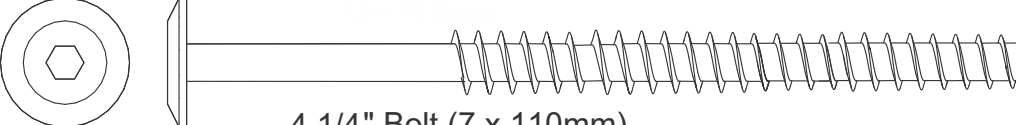
CAUTION!

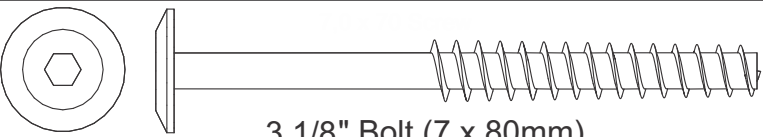
Please be careful when assembling this product due the parts are extremely heavy. Also, please do not allow kids around when assembling this bed to avoid injuries!

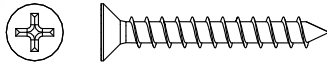
Identify the size and type of hardware using the illustration below:

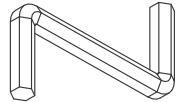
A  **Qty 08**
1/4" x 3 1/8" Bolt (1/4" x 80mm)

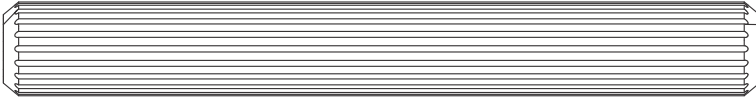
B  1/4" **Qty 08**
Half Moon Nut

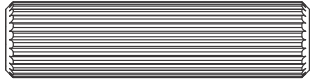
C  **Qty 10**
4 1/4" Bolt (7 x 110mm)

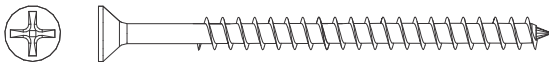
D  **Qty 08**
3 1/8" Bolt (7 x 80mm)


E  **Qty 44**
1 3/16" Screw (4 x 30mm)

F  Allen wrench **Qty 01**

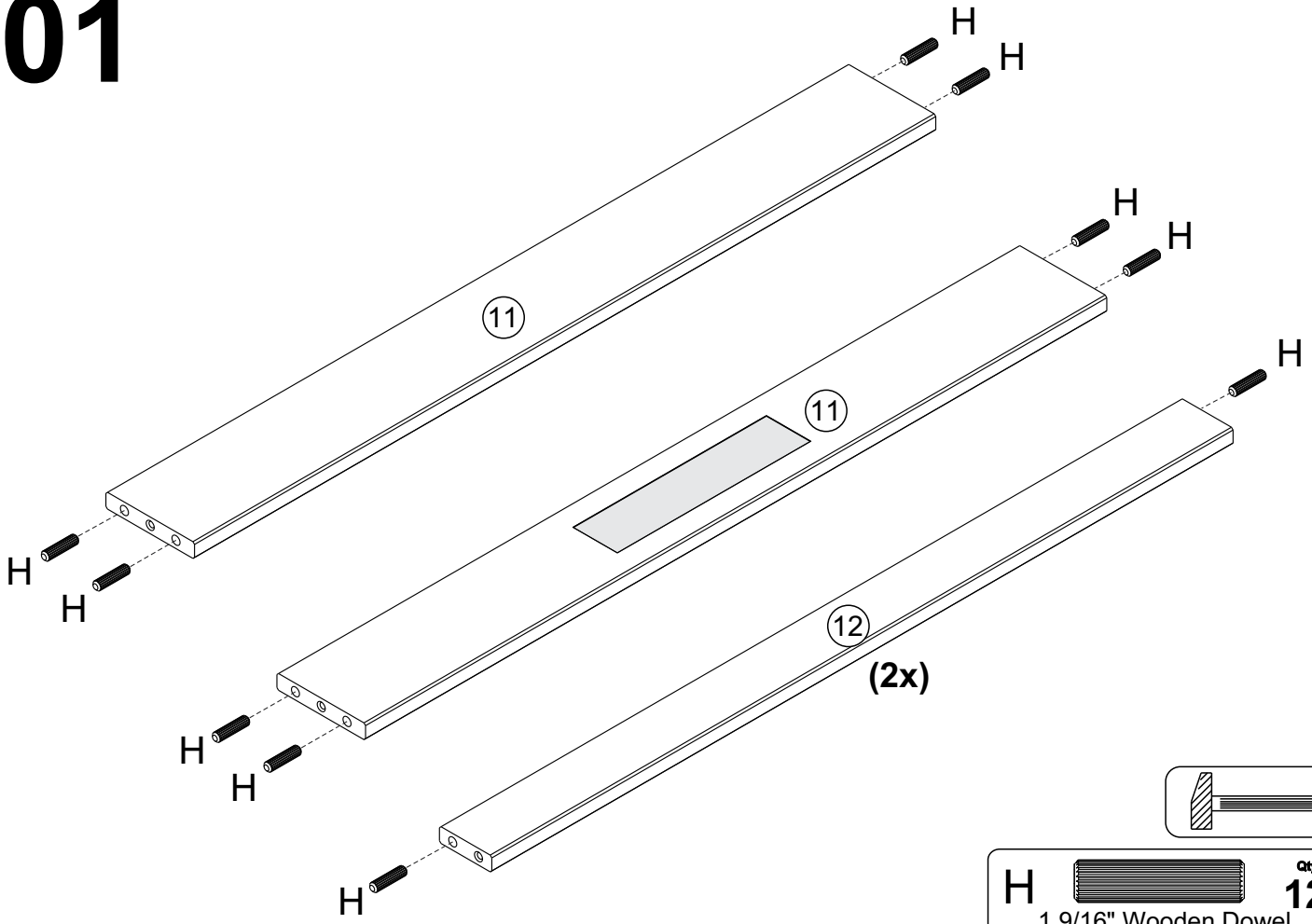
G  **Qty 04**
3 15/16" Wooden Dowel (15 x 100mm)

H  **Qty 22**
1 9/16" Wooden Dowel (10 x 40mm)

I  **Qty 02**
2 1/4" Screw (4,5 x 60mm)

J  Spacer **Qty 02**

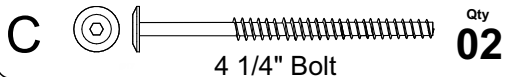
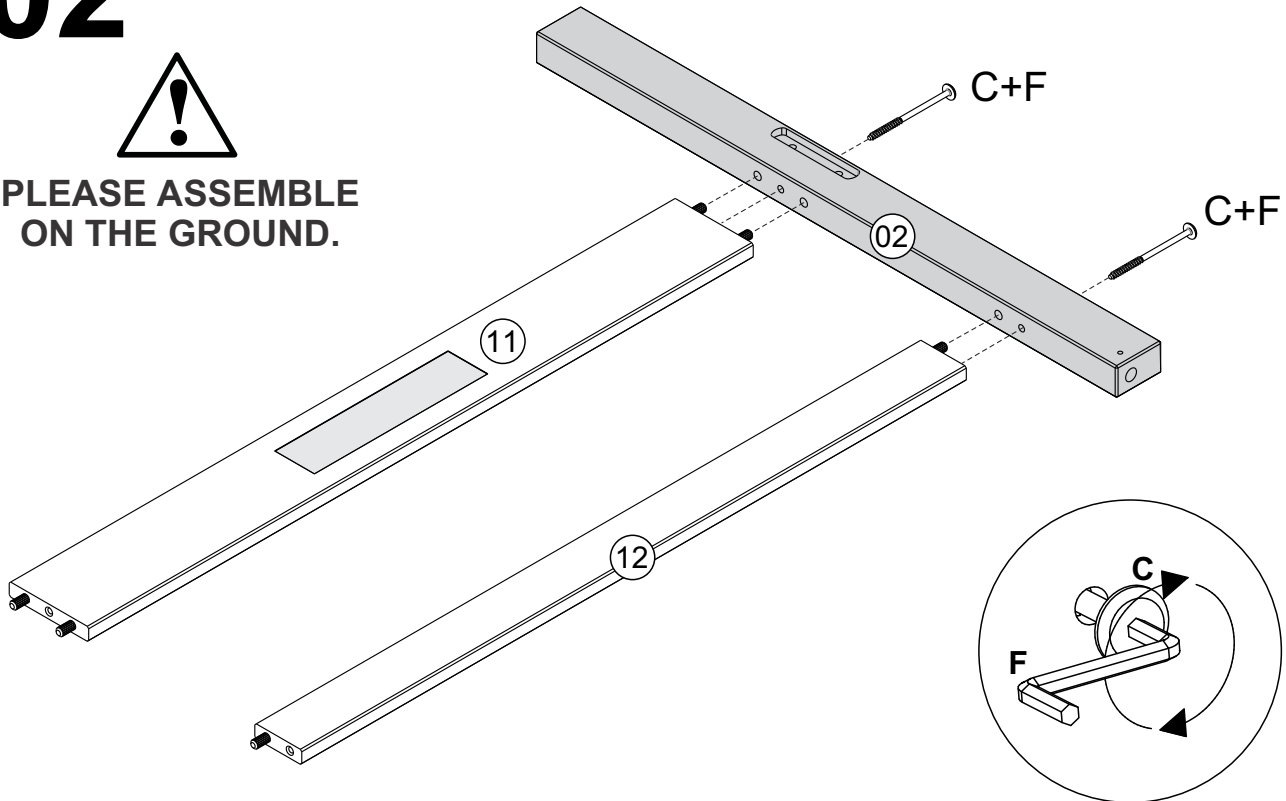
01



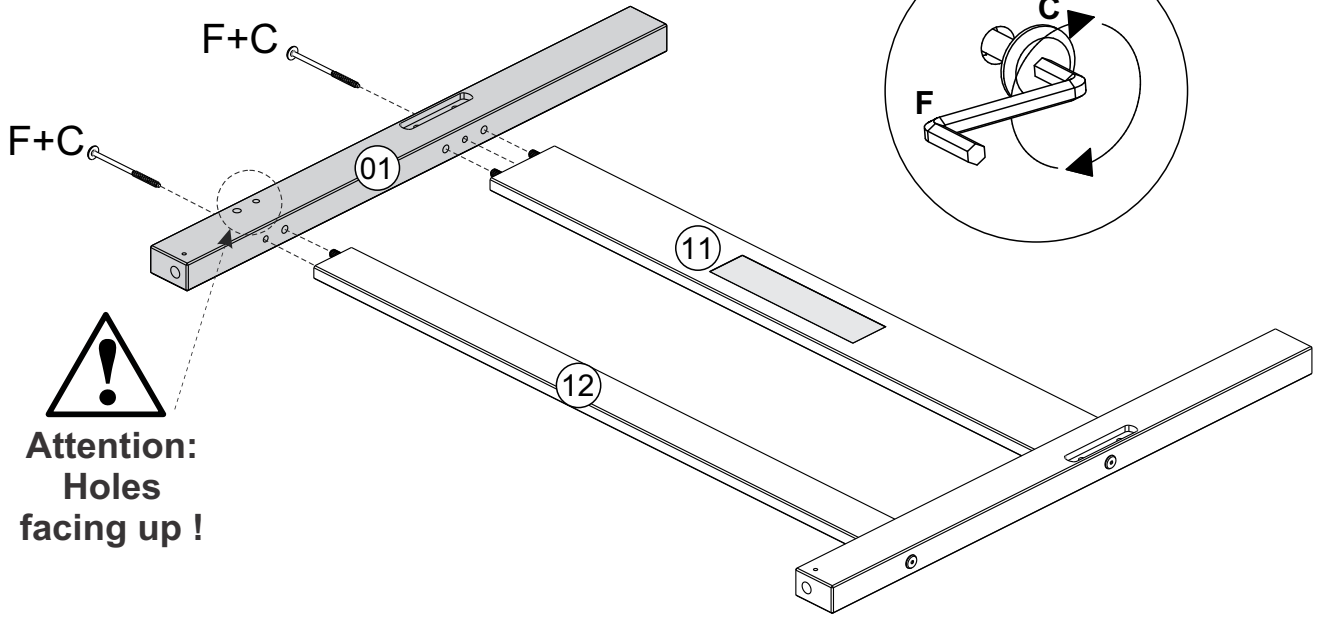
02



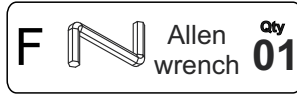
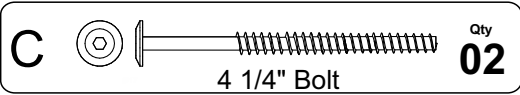
PLEASE ASSEMBLE
ON THE GROUND.



03



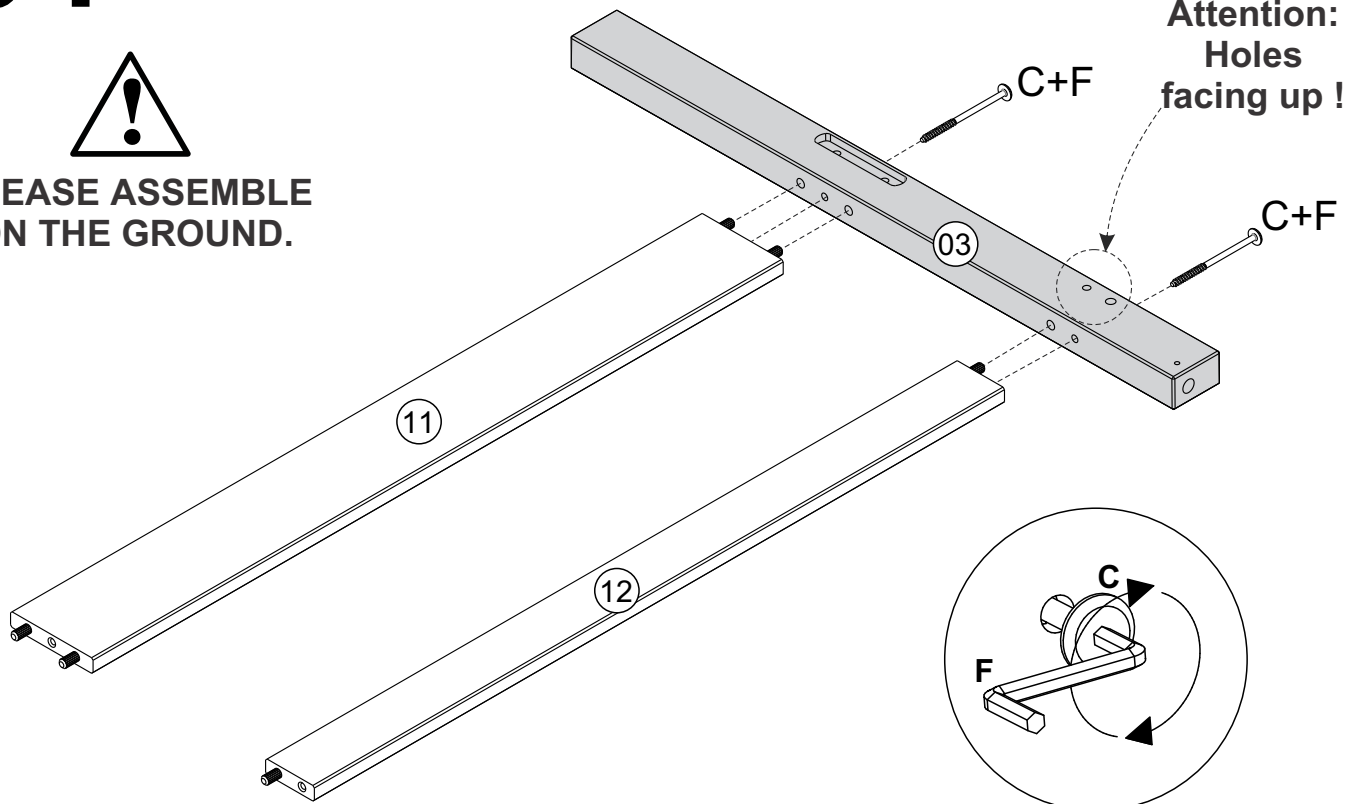
**PLEASE ASSEMBLE
ON THE GROUND.**



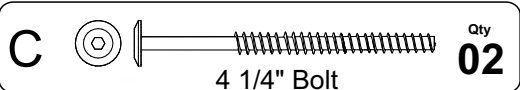
04



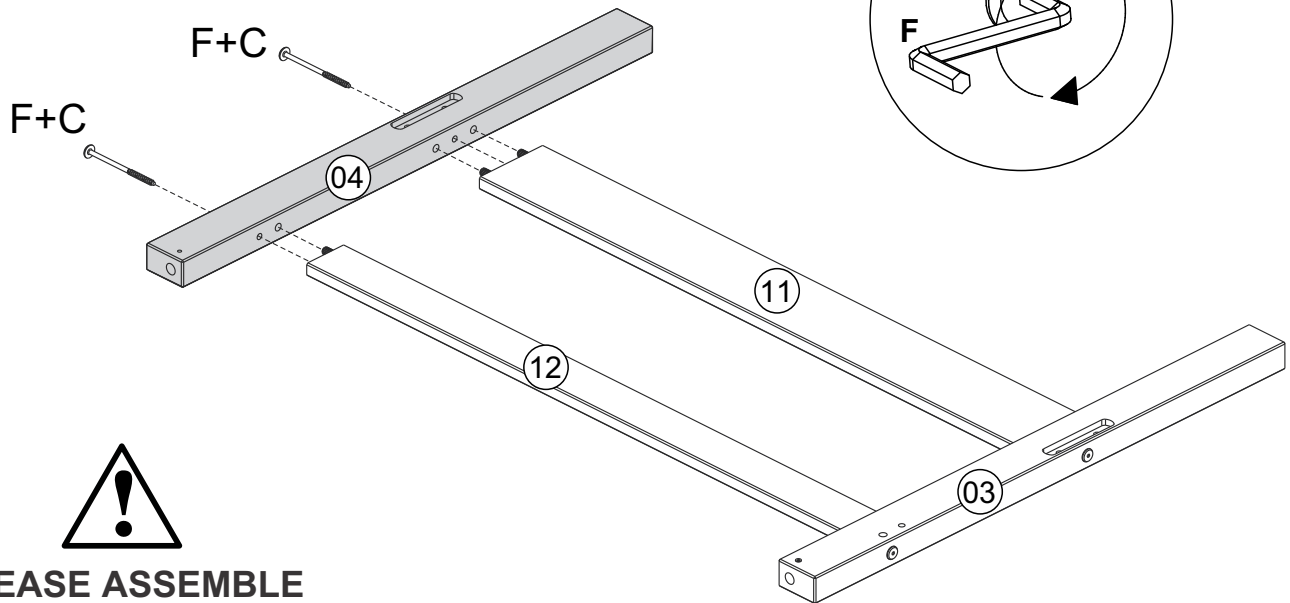
**PLEASE ASSEMBLE
ON THE GROUND.**



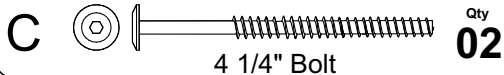
**Attention:
Holes
facing up !**



05

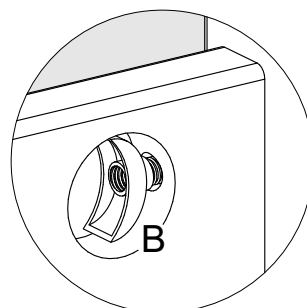
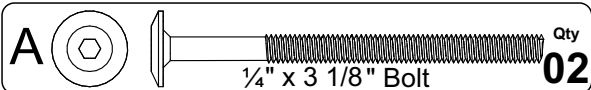
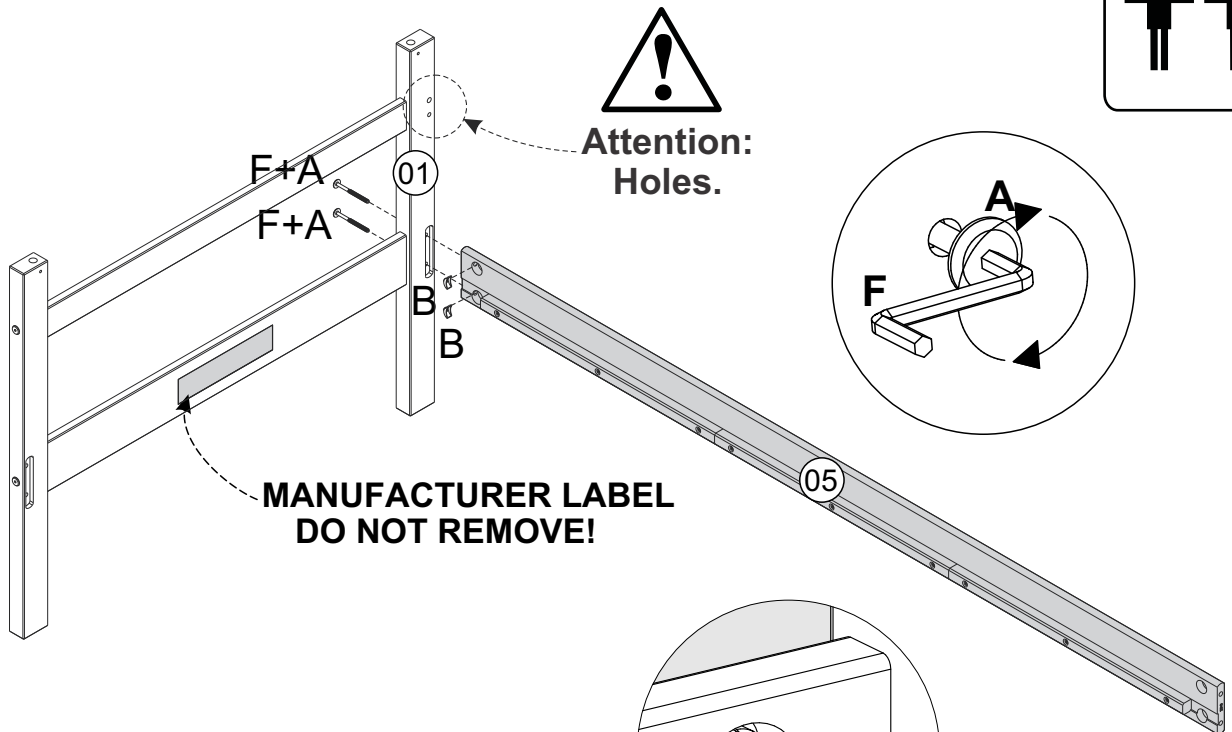
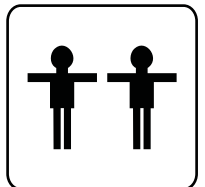


PLEASE ASSEMBLE
ON THE GROUND.



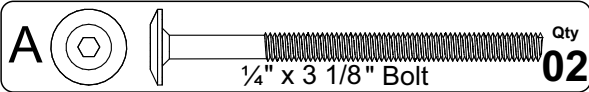
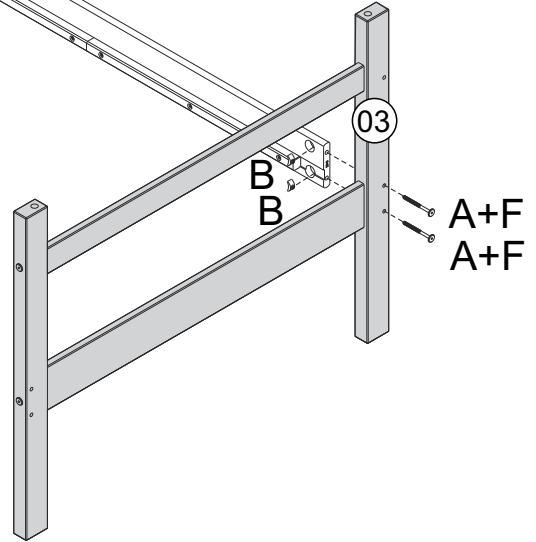
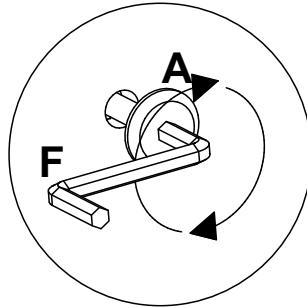
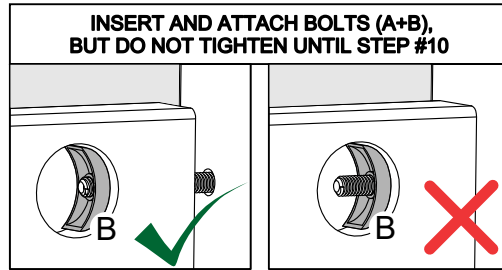
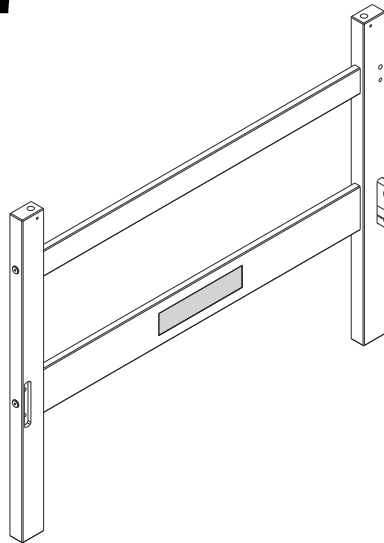
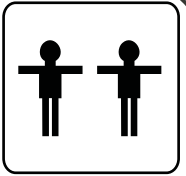
06

IN THIS STEP IS NECESSARY 2 PEOPLE TO AVOID DAMAGE.
ONE TO ATTACH THE BOLTS ON THE HEADBOARD AND ONE
TO HOLD THE OTHER END OF THE SIDE RAIL.

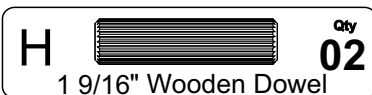
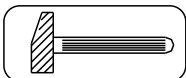
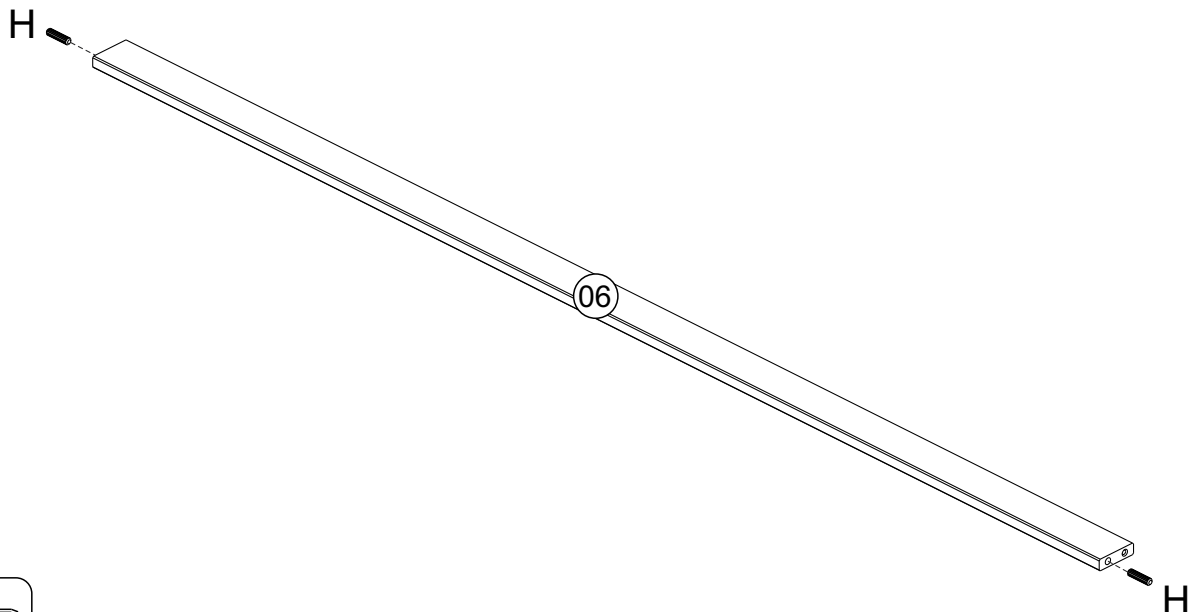


07

IN THIS STEP IS NECESSARY 2 PEOPLE TO AVOID DAMAGE.
ONE TO ATTACH THE BOLTS ON THE HEADBOARD AND ONE
TO HOLD THE OTHER END OF THE SIDE RAIL.

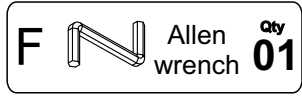
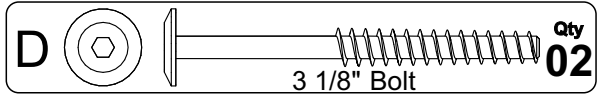
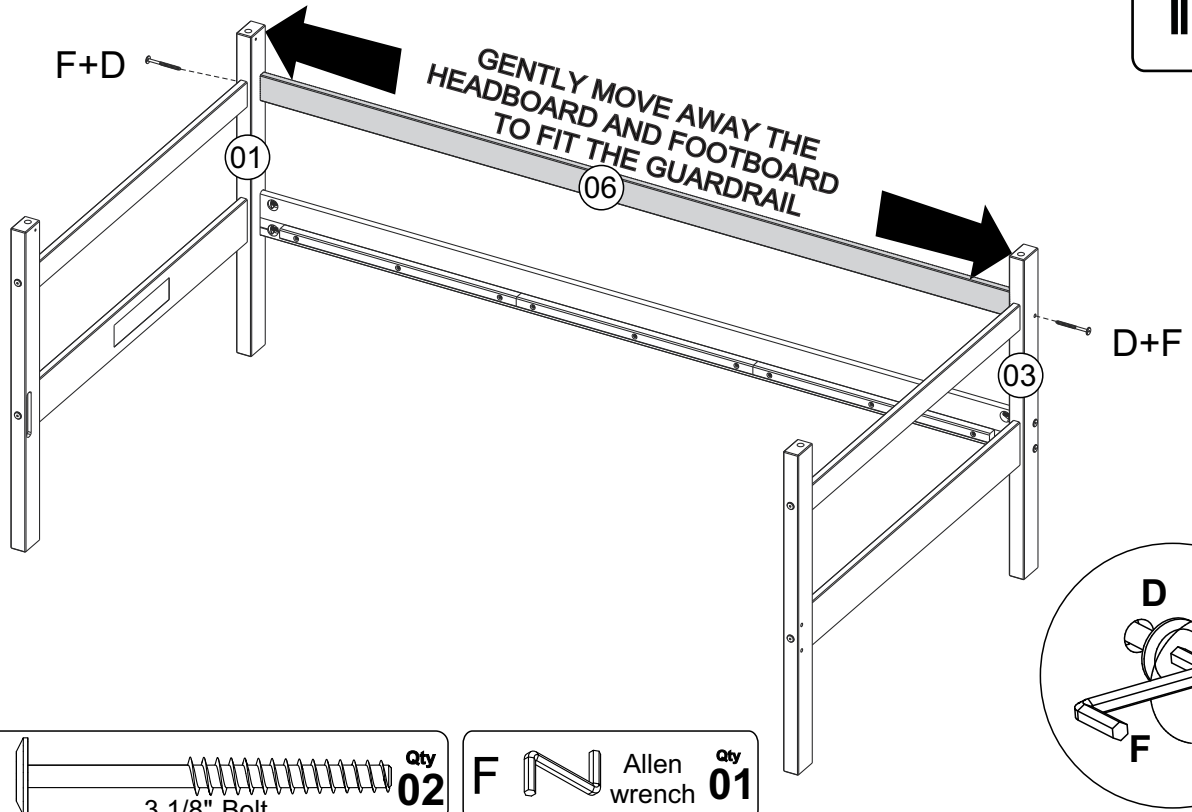
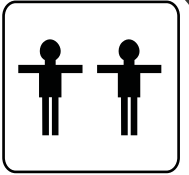


08



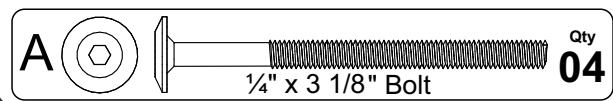
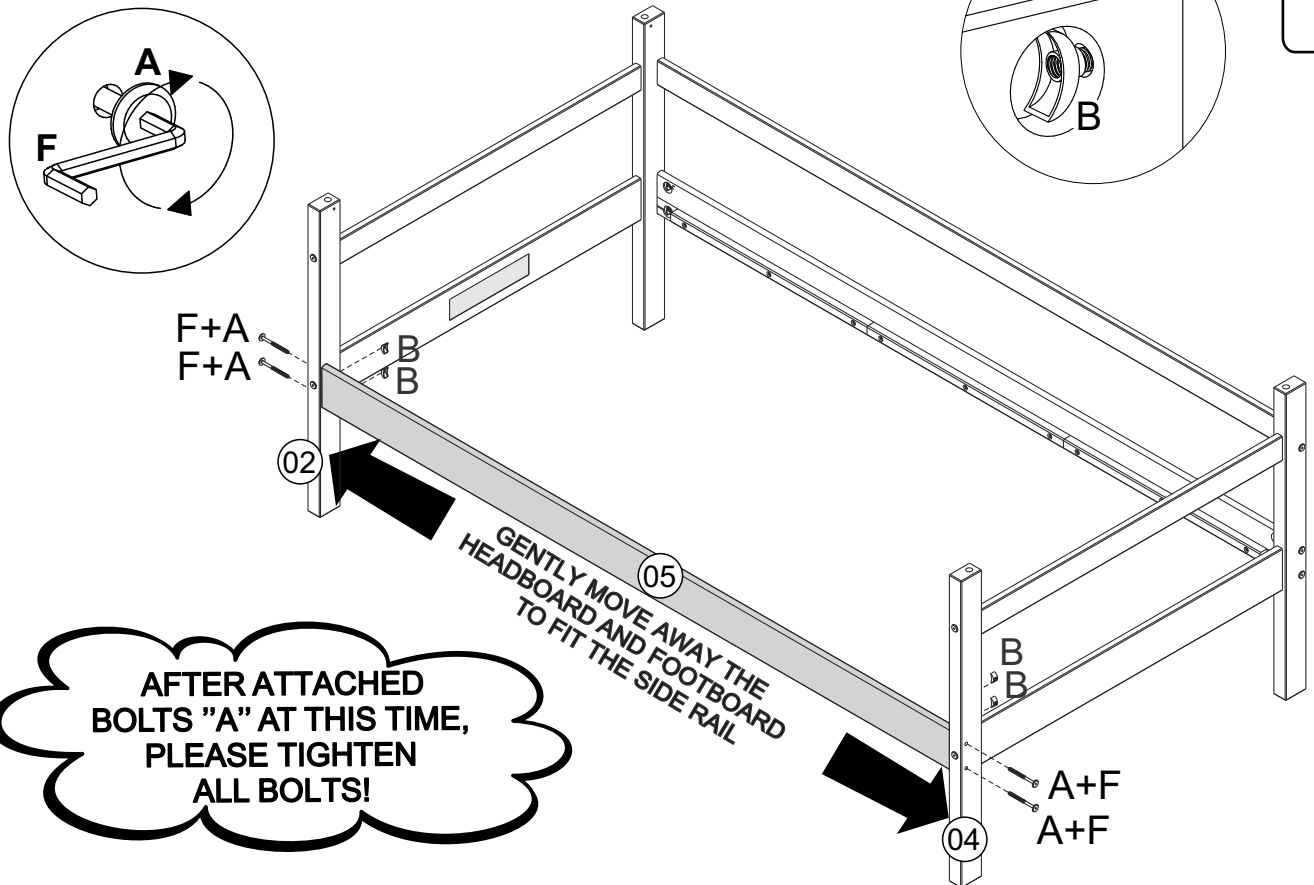
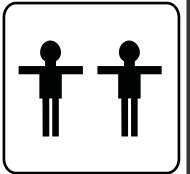
09

IN THIS STEP IS NECESSARY 2 PEOPLE TO AVOID DAMAGE. ONE TO ATTACH THE BOLTS ON THE HEADBOARD AND ONE TO HOLD THE OTHER END OF THE GUARDRAIL.

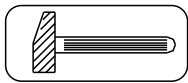
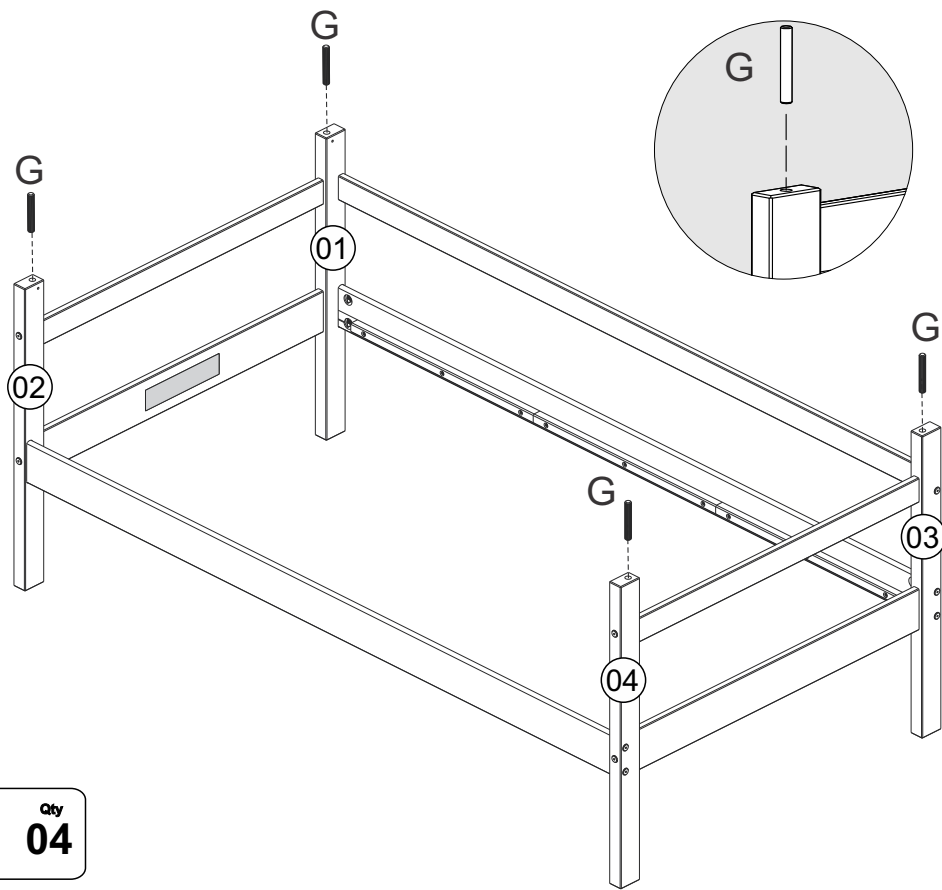


10

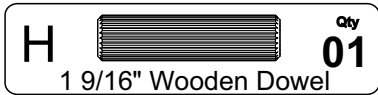
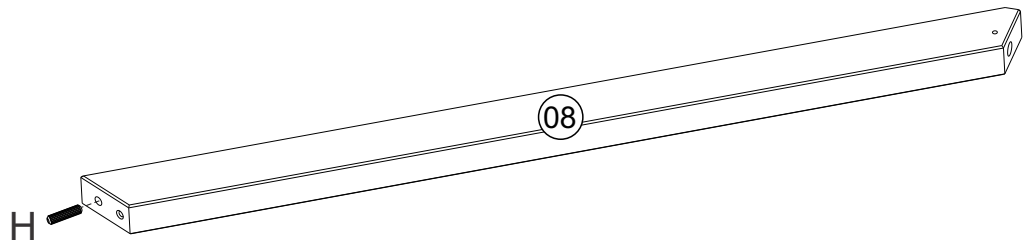
IN THIS STEP IS NECESSARY 2 PEOPLE TO AVOID DAMAGE. ONE TO ATTACH THE BOLTS ON THE HEADBOARDS AND ONE TO HOLD THE SIDE RAIL.



11



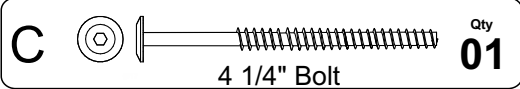
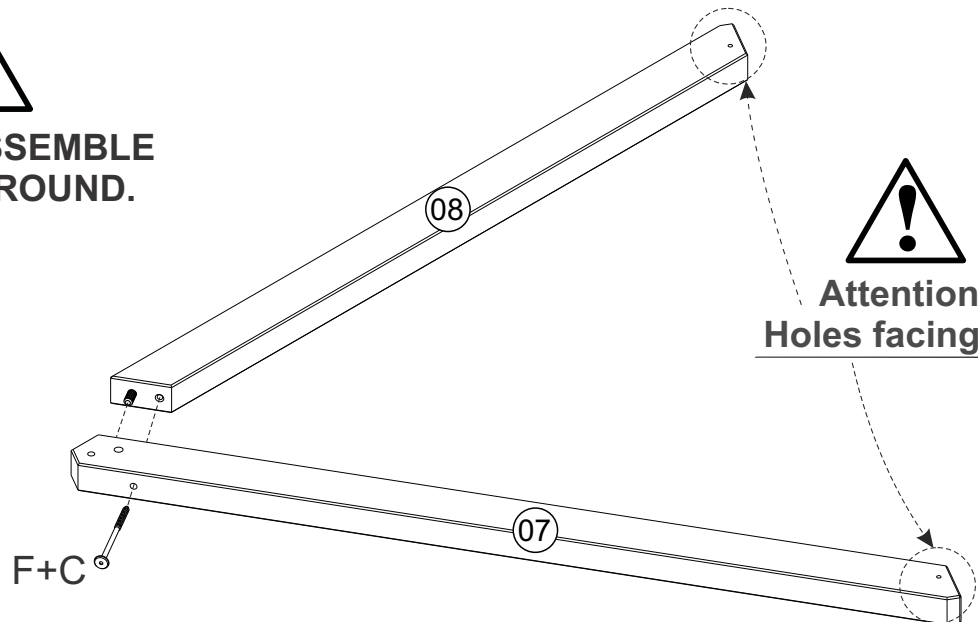
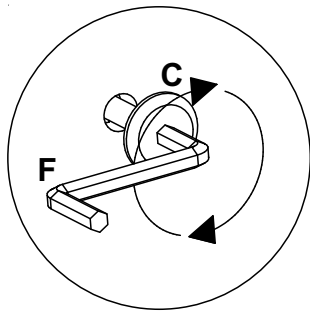
12



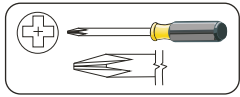
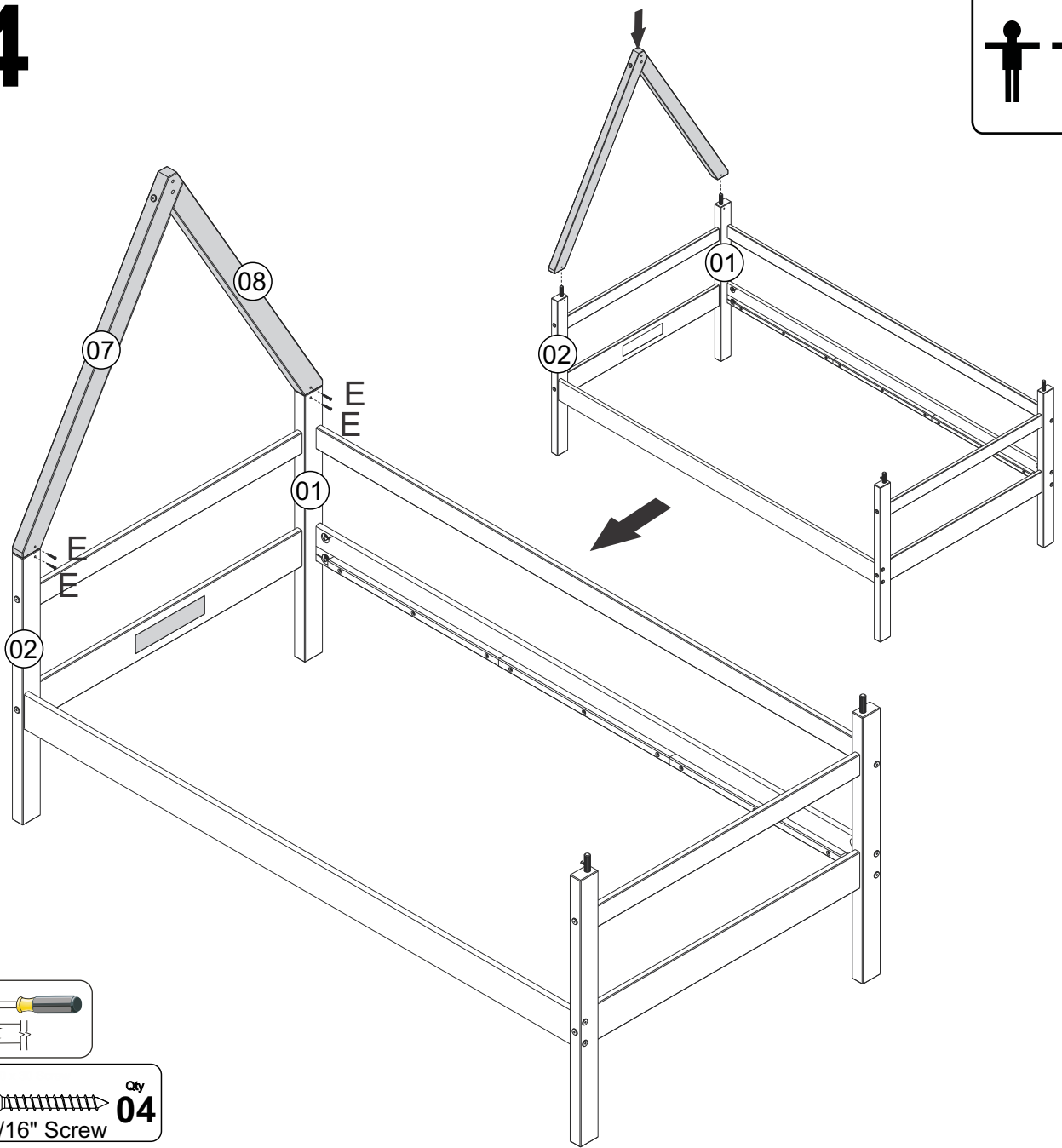
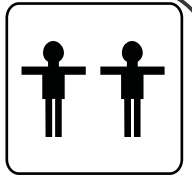
13




**PLEASE ASSEMBLE
ON THE GROUND.**

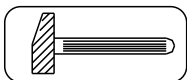
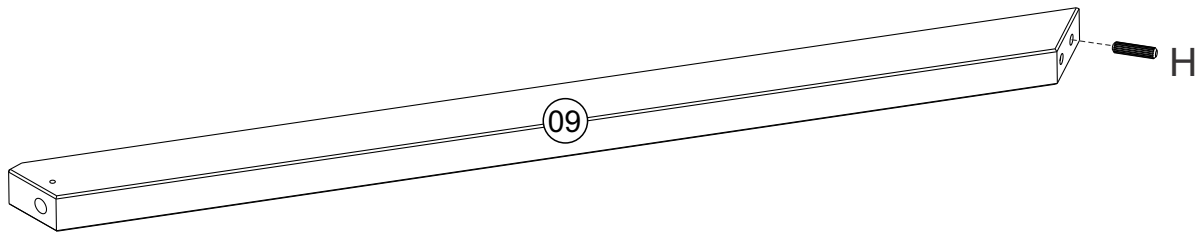



14



E  Qty **04**
1 3/16" Screw

15

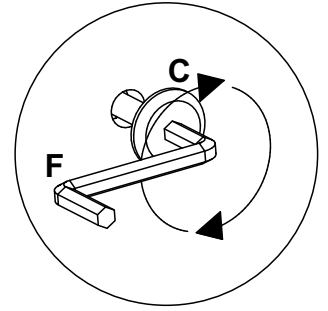
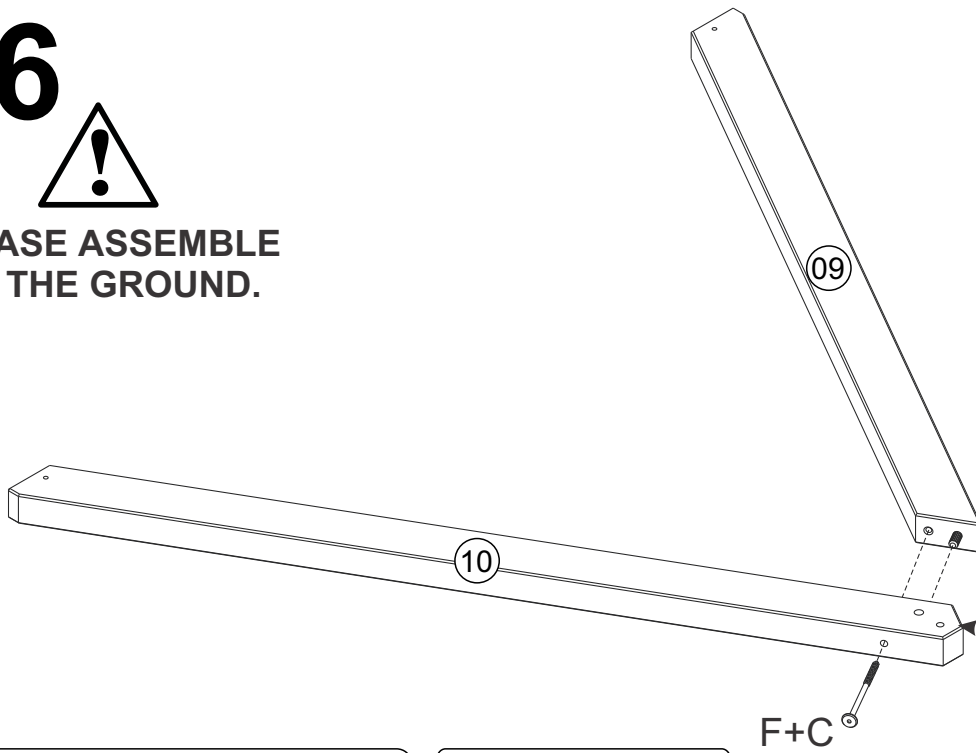


H  Qty **01**
1 9/16" Wooden Dowel

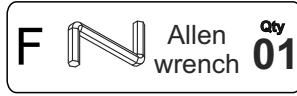
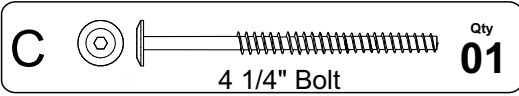
16



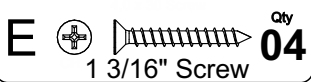
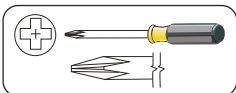
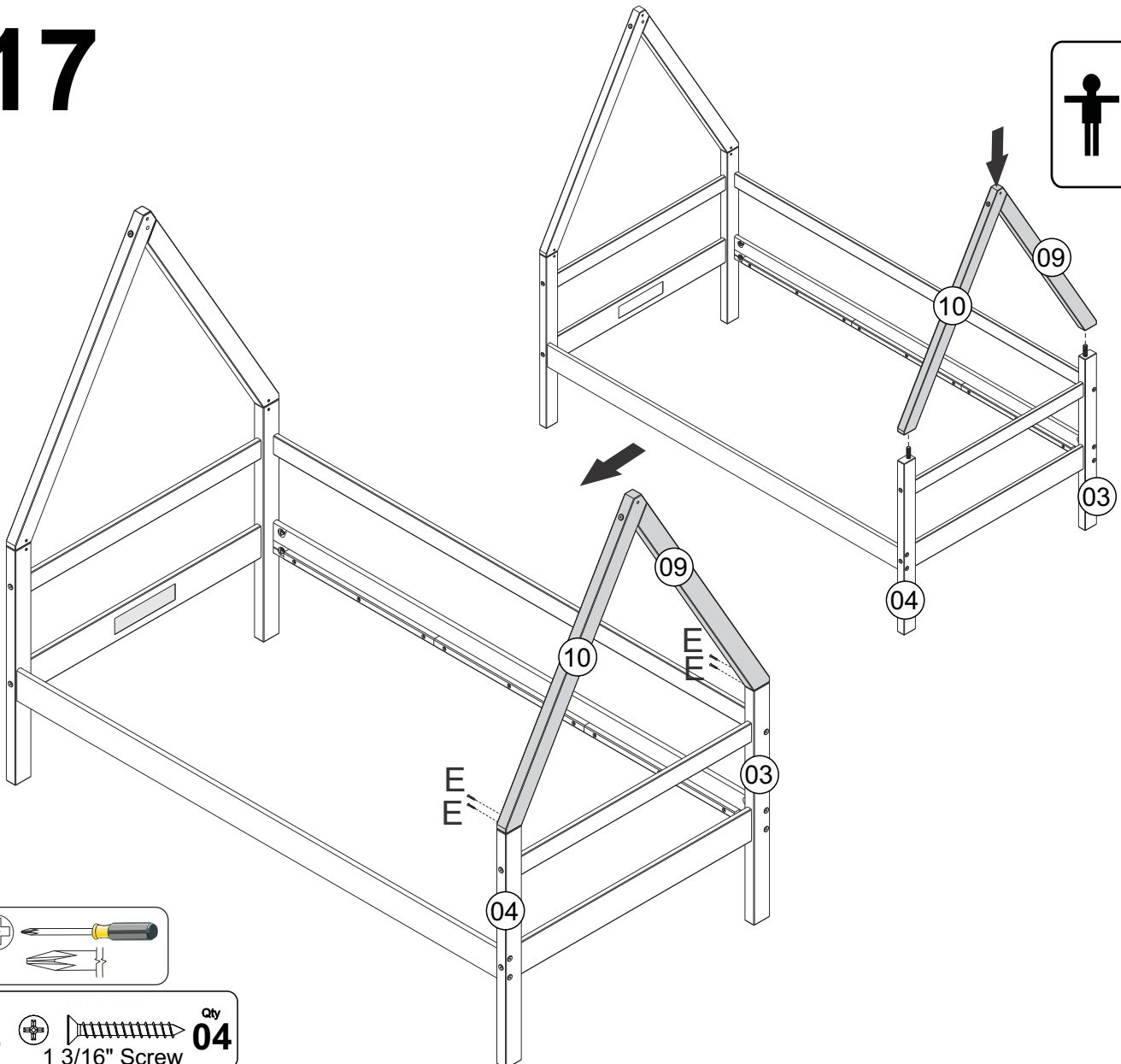
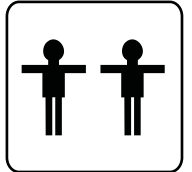
PLEASE ASSEMBLE
ON THE GROUND.



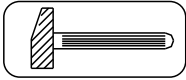
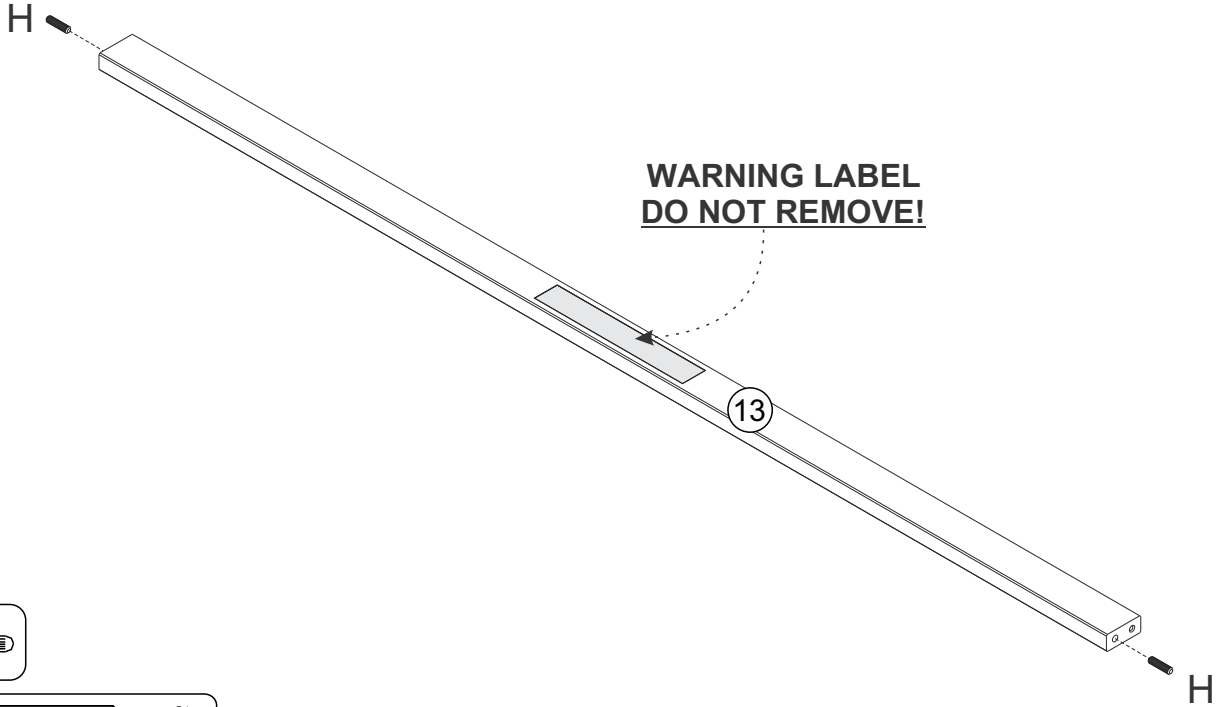
Attention:
Holes facing up!



17

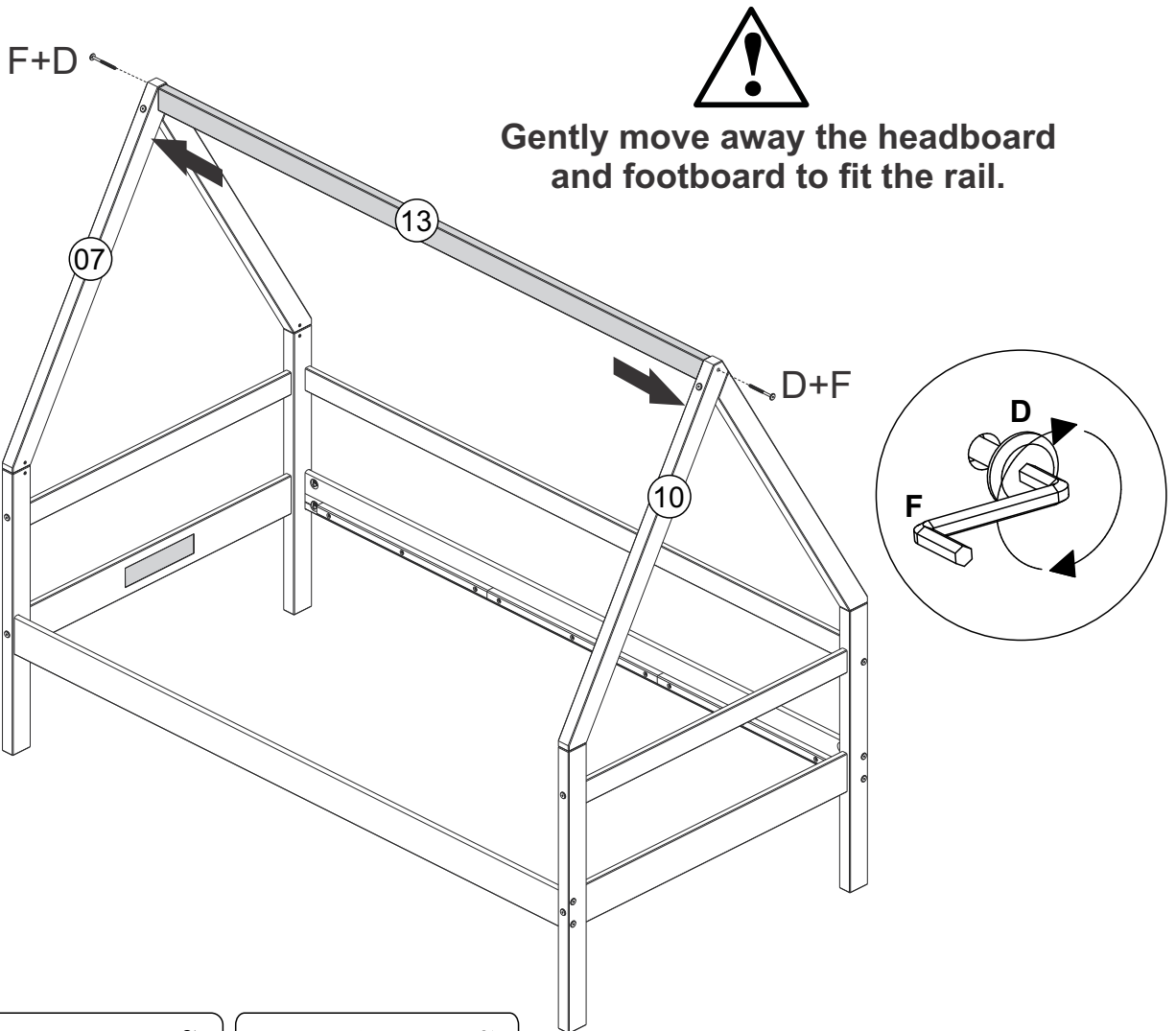



18




H  Qty **02**
1 9/16" Wooden Dowel

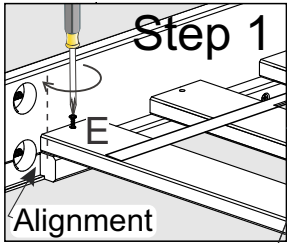
19



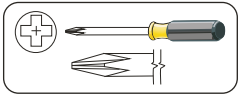
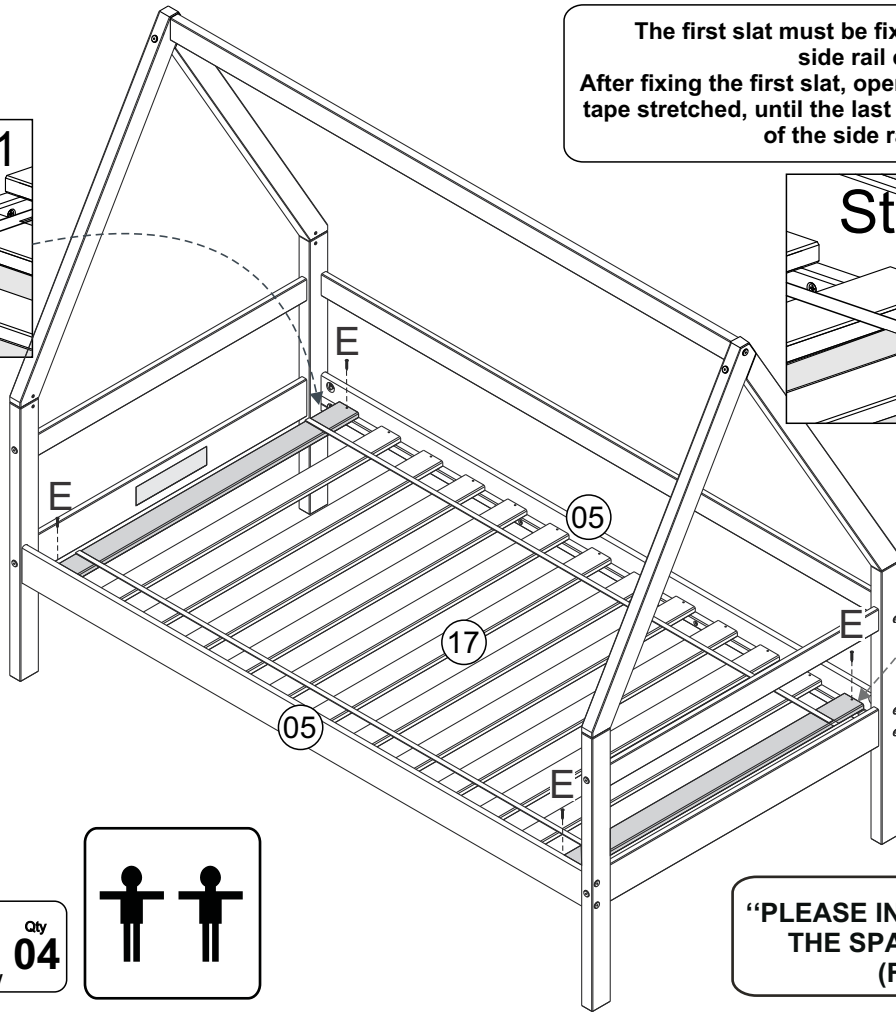
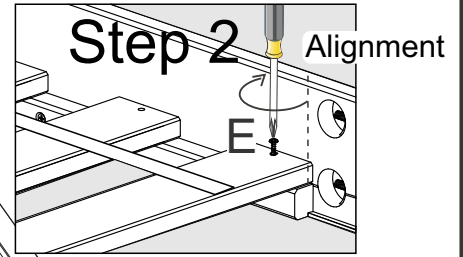
D  Qty **02**
3 1/8" Bolt


F  Allen wrench Qty **01**

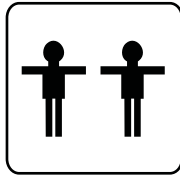
20



The first slat must be fixed to the end of the side rail cleat.
After fixing the first slat, open the slat set, leaving the tape stretched, until the last slat is aligned at the end of the side rail cleat.



E  **Qty 04**
1 3/16" Screw

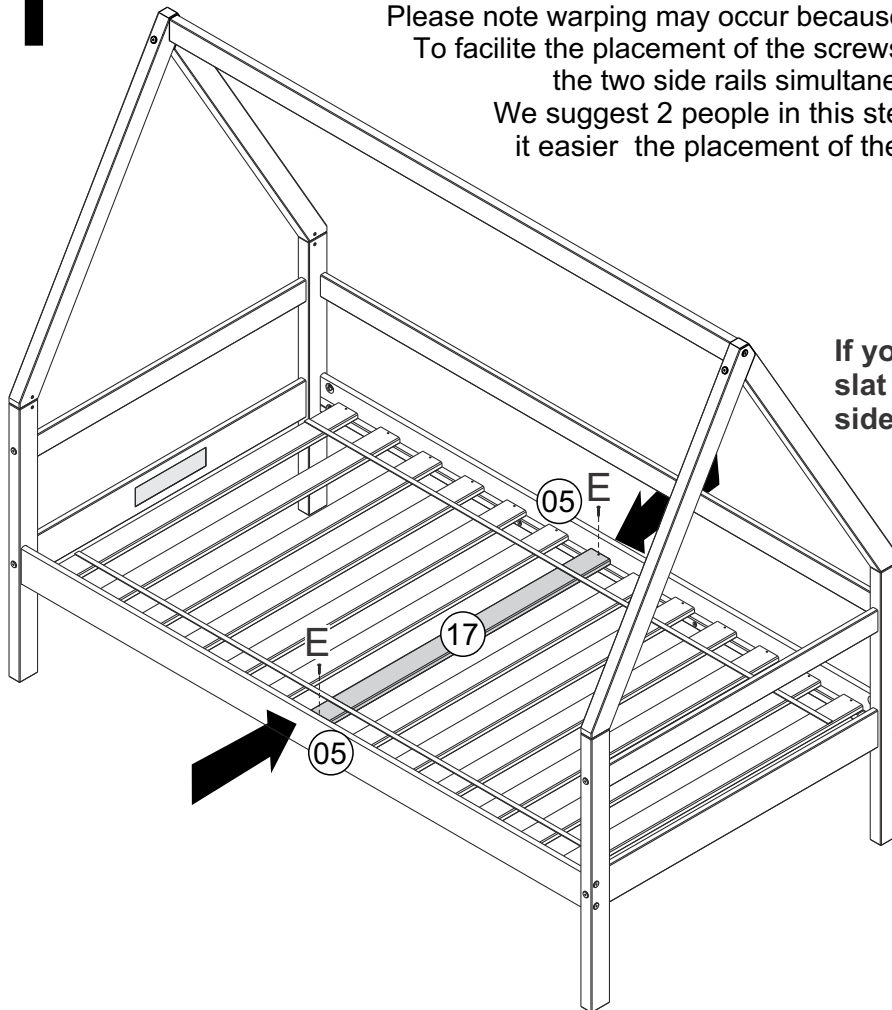
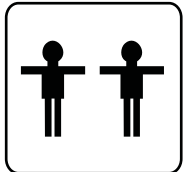


“PLEASE INSTALL SLAT KIT WITH THE SPACER TAPE ON TOP (FACING UP)”

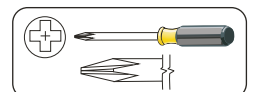
21


IMPORTANT NOTE!

Please note warping may occur because it is natural wood. To facilitate the placement of the screws, you must press the two side rails simultaneously. We suggest 2 people in this step to make it easier the placement of the screws.



If you are alone in this step, screw 1 slat first, pull the slat and push the side rail to fix the other slat.

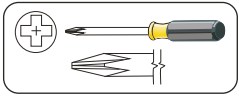
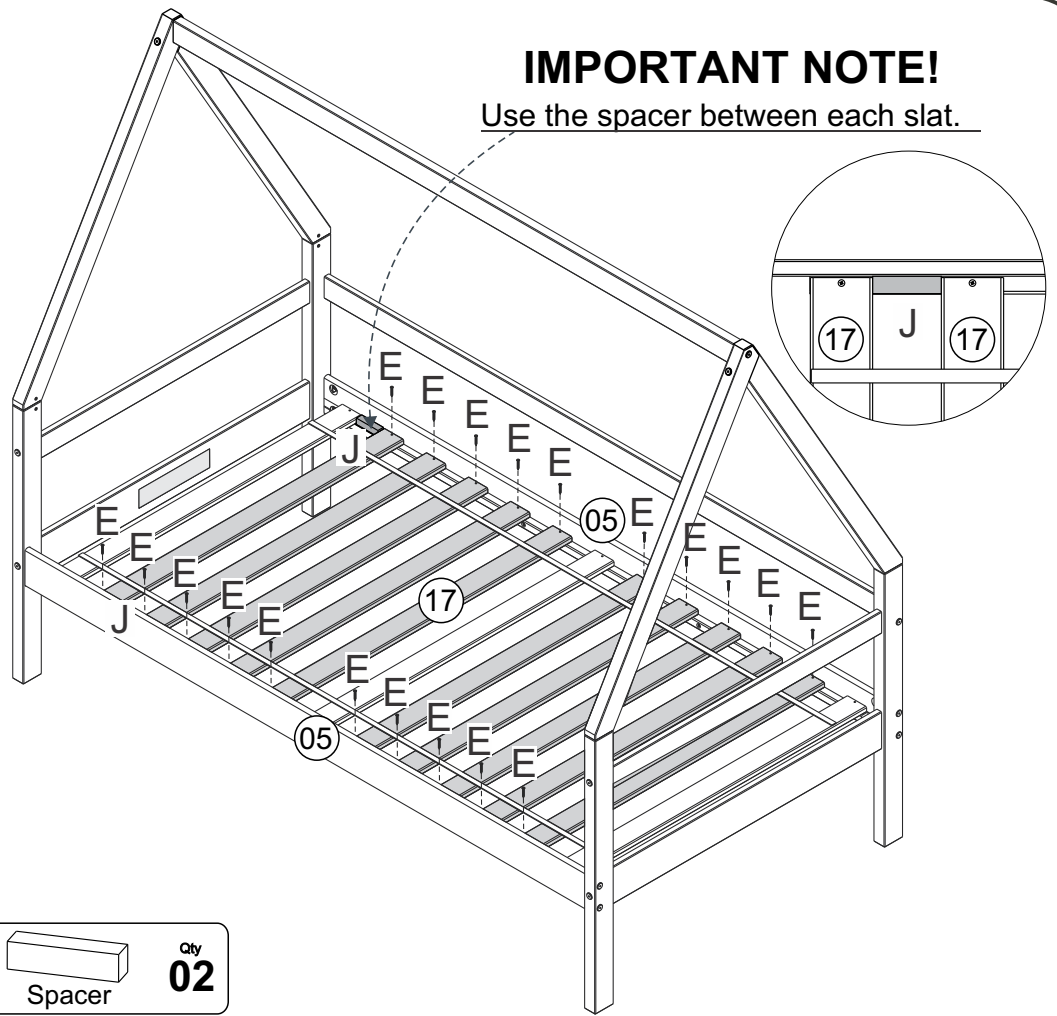



E  **Qty 02**
1 3/16" Screw

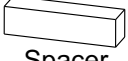
22

IMPORTANT NOTE!

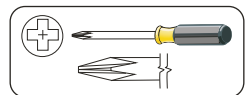
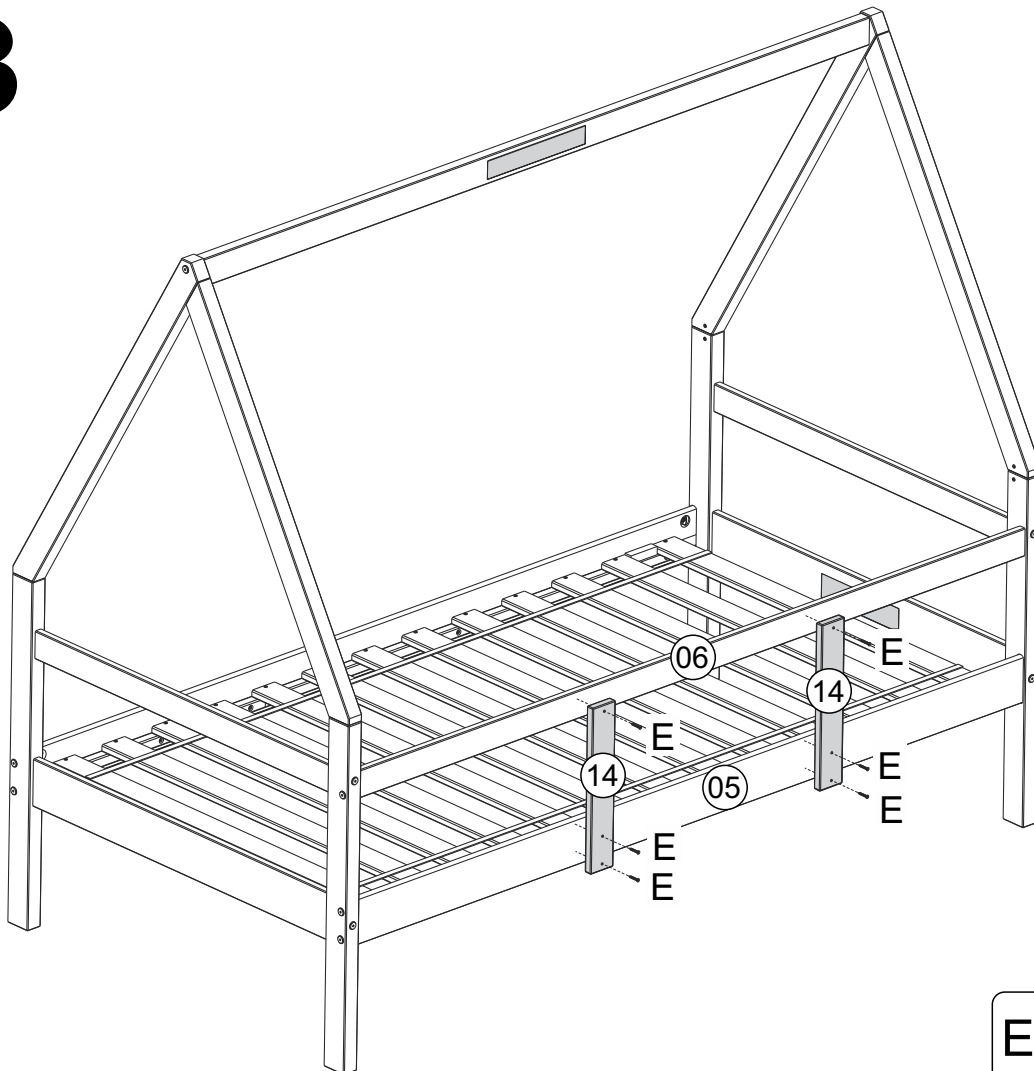
Use the spacer between each slat.




E  1 3/16" Screw **Qty 20**

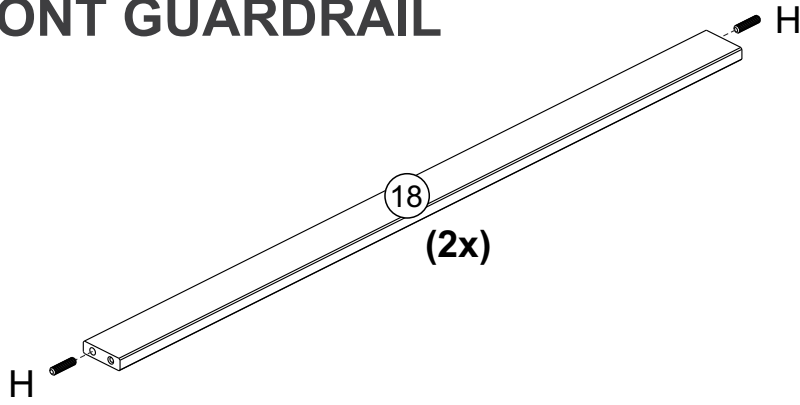
J  Spacer **Qty 02**

23



E  1 3/16" Screw **Qty 06**

24 FRONT GUARDRAIL

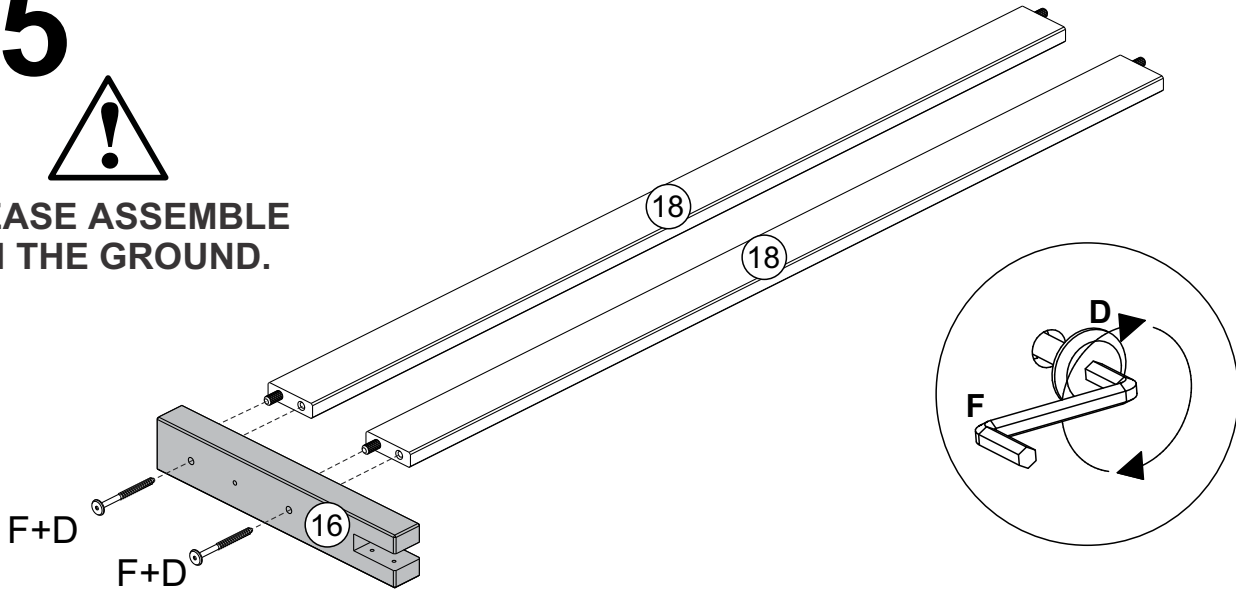



H  Qty **04**
1 9/16" Wooden Dowel

25



PLEASE ASSEMBLE
ON THE GROUND.



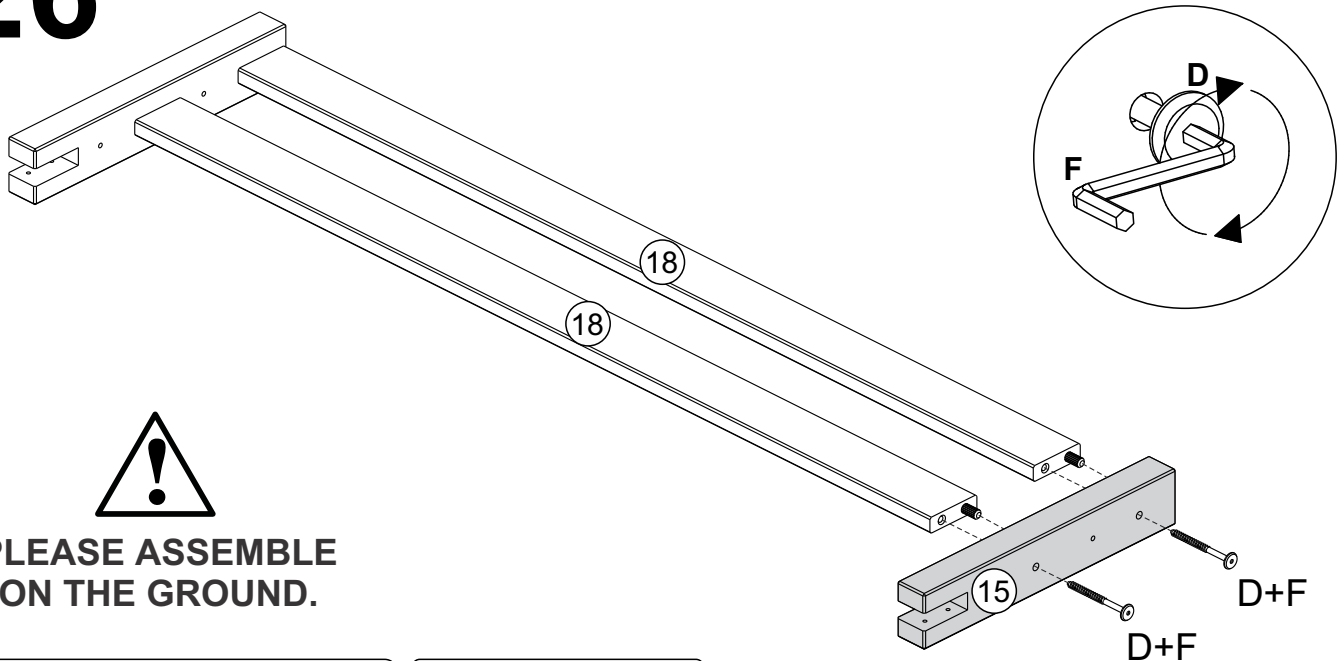
D  Qty **02**
3 1/8" Bolt


F  Allen wrench Qty **01**

26



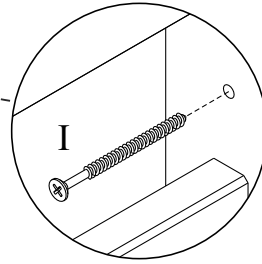
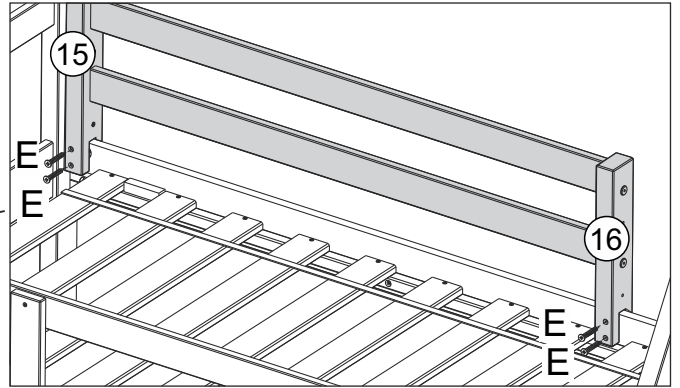
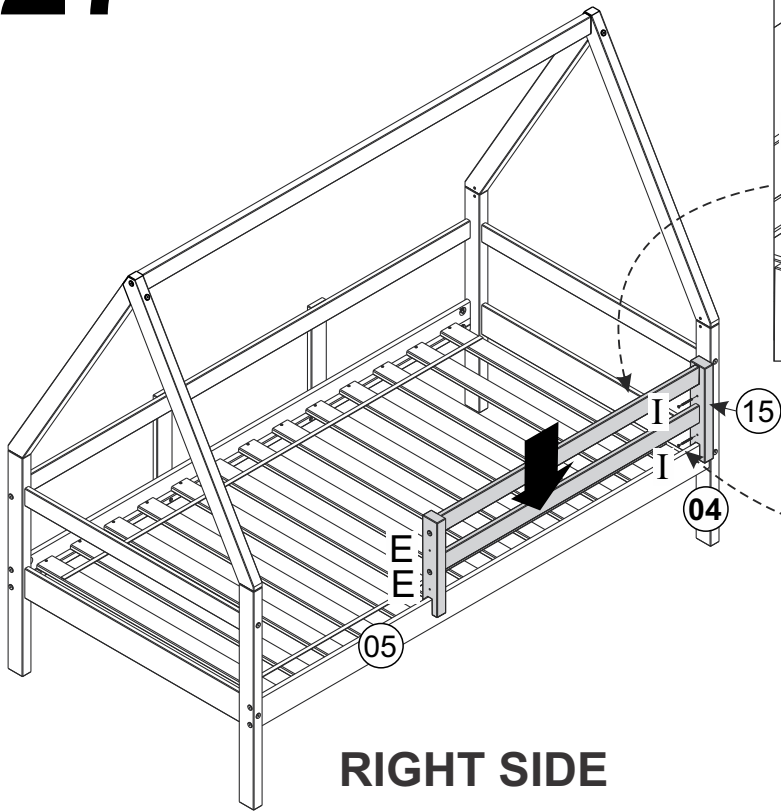
PLEASE ASSEMBLE
ON THE GROUND.



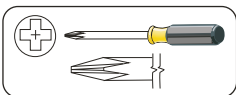
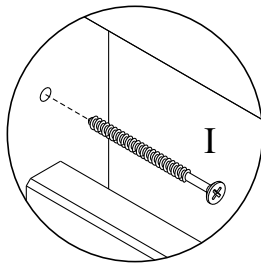
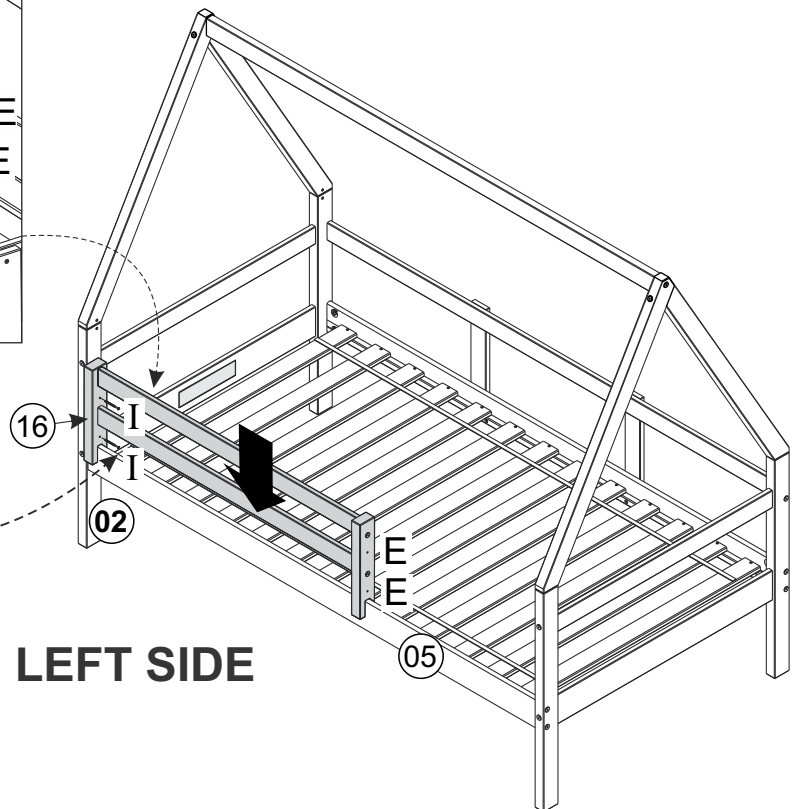
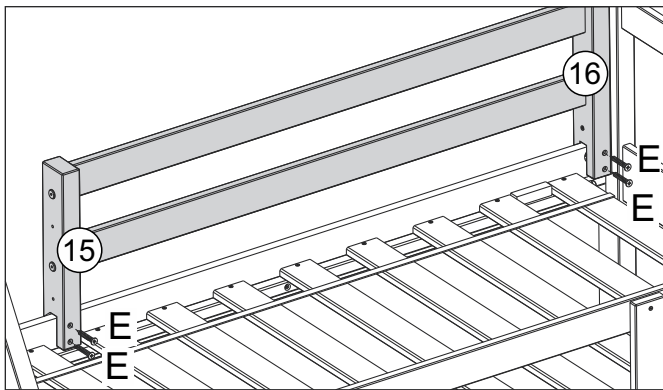
D  Qty **02**
3 1/8" Bolt


F  Allen wrench Qty **01**


27

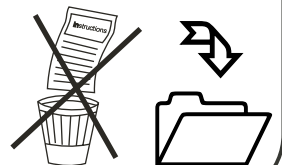


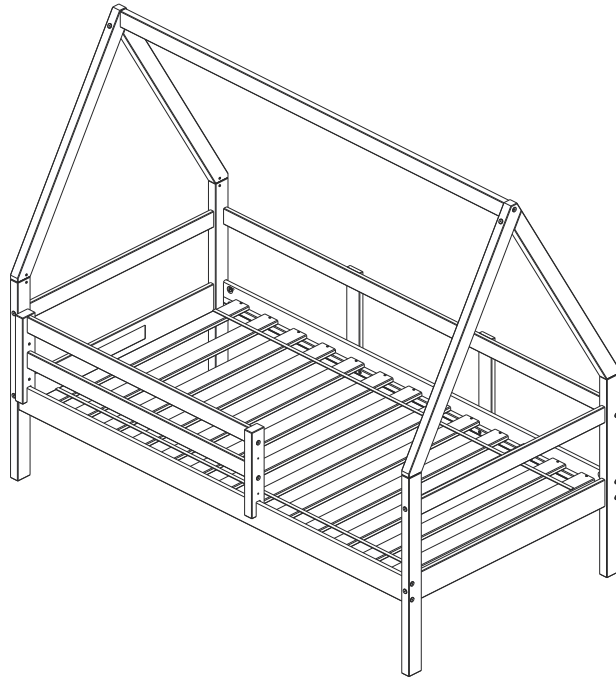
OR



E  Qty **04**
1 3/16" Screw

I  Qty **02**
2 1/4 " Screw





WARNING:

To help prevent serious or fatal injuries from entrapment or falls:

- **STRANGULATION HAZARD** - Never attach or hang items to any part of the bed that are not designed for use with the bed; for example, but not limited to hooks, belts, strings and jump ropes.
 - Prohibit horseplay on bed.
 - Prohibit jumping on bed.
 - Prohibit more than one person on bed.
- **DO NOT HANG FROM ROOF STRUCTURE.**

