



HOSHIZAKI

Parts List

Steelheart Series
Refrigerated Kitchen Equipment

Models

PT1A-FG-FG

PT1A-FS-FS

PT1A-HS-HS

PT2A-FG-FG

PT2A-FS-FS

PT2A-HS-HS



hoshizakiamerica.com

Number: 71430
Issued: 11-18-2019
Revised: 8-13-2020

CONTENTS

| | |
|---------------------------------|----|
| Auxiliary Codes..... | 3 |
| Note About Ordering Parts | 3 |
| A. Main Assembly | 4 |
| PT1A-XX-XX | 4 |
| PT2A-XX-XX | 6 |
| B. Refrigeration Circuit..... | 8 |
| C. Door-Full Glass..... | 10 |
| Right Hinged | 10 |
| Left Hinged | 11 |
| D. Door-Full Solid | 13 |
| Right Hinged | 13 |
| Left Hinged | 14 |
| E. Door-Half Solid | 16 |
| Right Hinged | 16 |
| Left Hinged | 17 |
| F. Accessories & Labels..... | 19 |

Auxiliary Codes

PT1A-FG-FG

J-5 March 2019

PT1A-FS-FS

J-5 December 2019

PT1A-HS-HS

J-5 December 2019

PT2A-FG-FG

J-5 July 2019

PT2A-FS-FS

J-5 July 2019

PT2A-HS-HS

J-5 April 2019

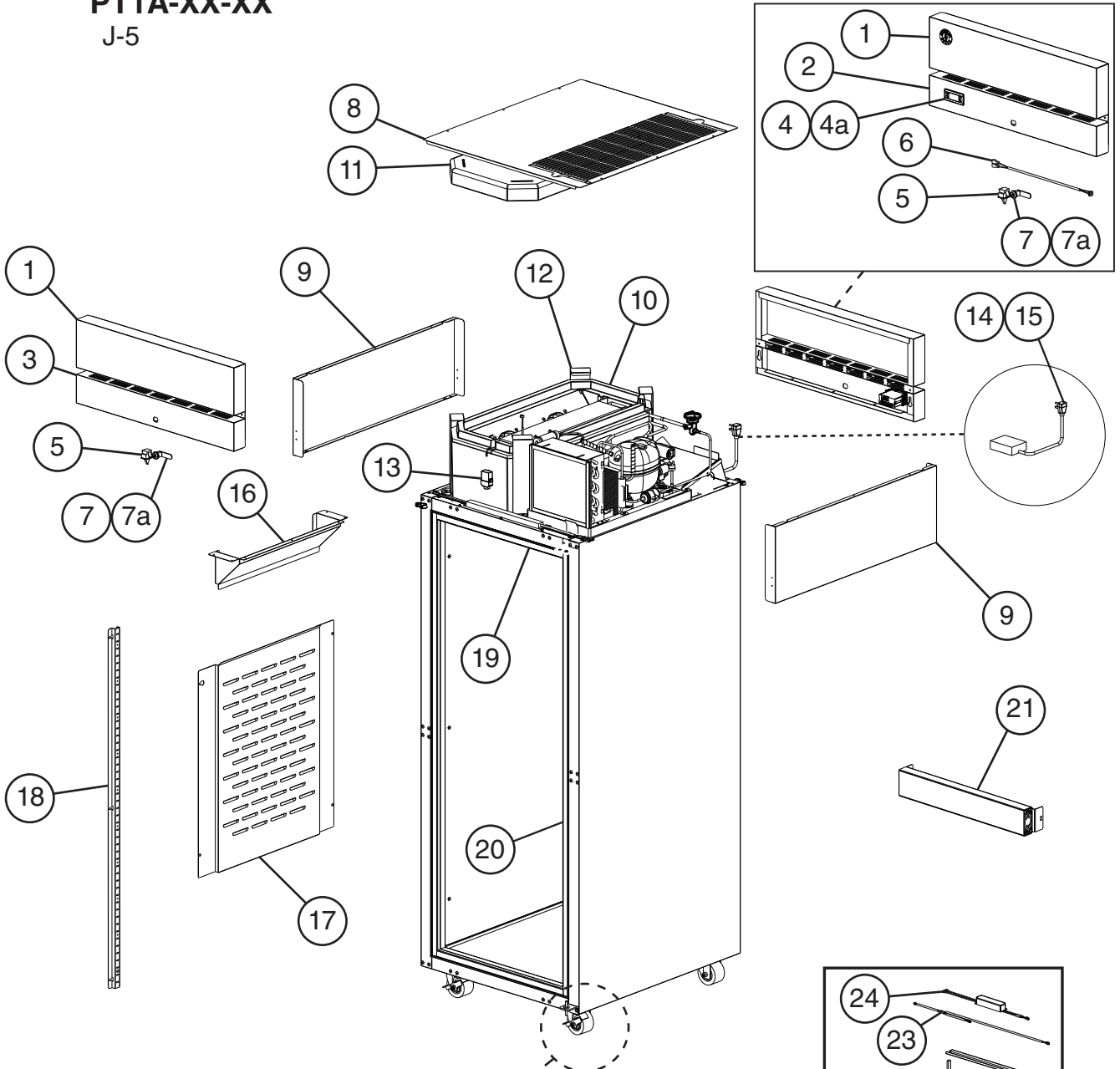
Auxiliary Code Breakdown

The auxiliary code is the first two characters in the serial number. The first character indicates the year. Years progress or regress in alphabetical order. The series runs from "A" through "V" and the letters "I" and "O" are skipped. The second character indicates significant part changes within a year. Base is "5" and this number advances for each change. In cases where there is a letter in parentheses, this designates the month. This is the last character in the serial number. The series runs from "(A)" through "(M)" and the letter "(I)" is skipped. This designation is only included when identifying a parts change within an auxiliary code.

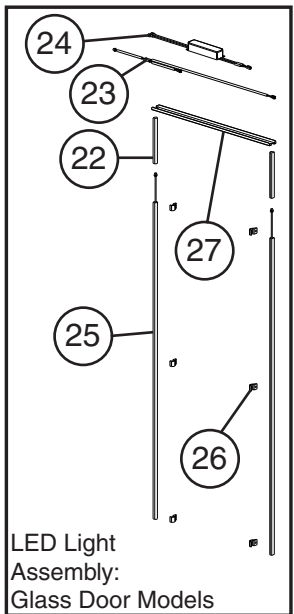
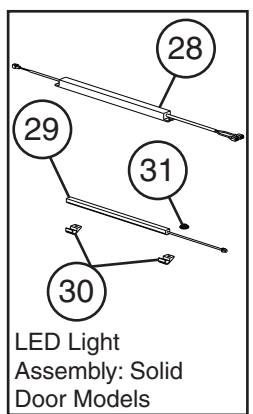
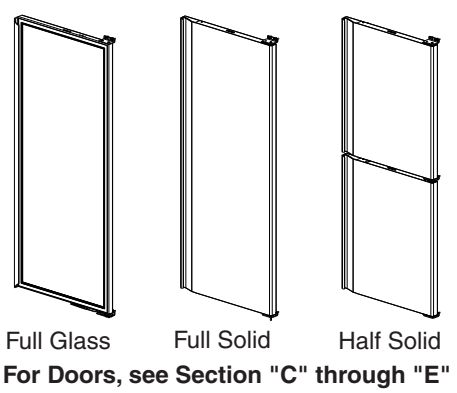
Note About Ordering Parts

Most assemblies cannot be ordered as complete units; parts in the assemblies generally must be ordered separately.

A. Main Assembly
PT1A-XX-XX
 J-5

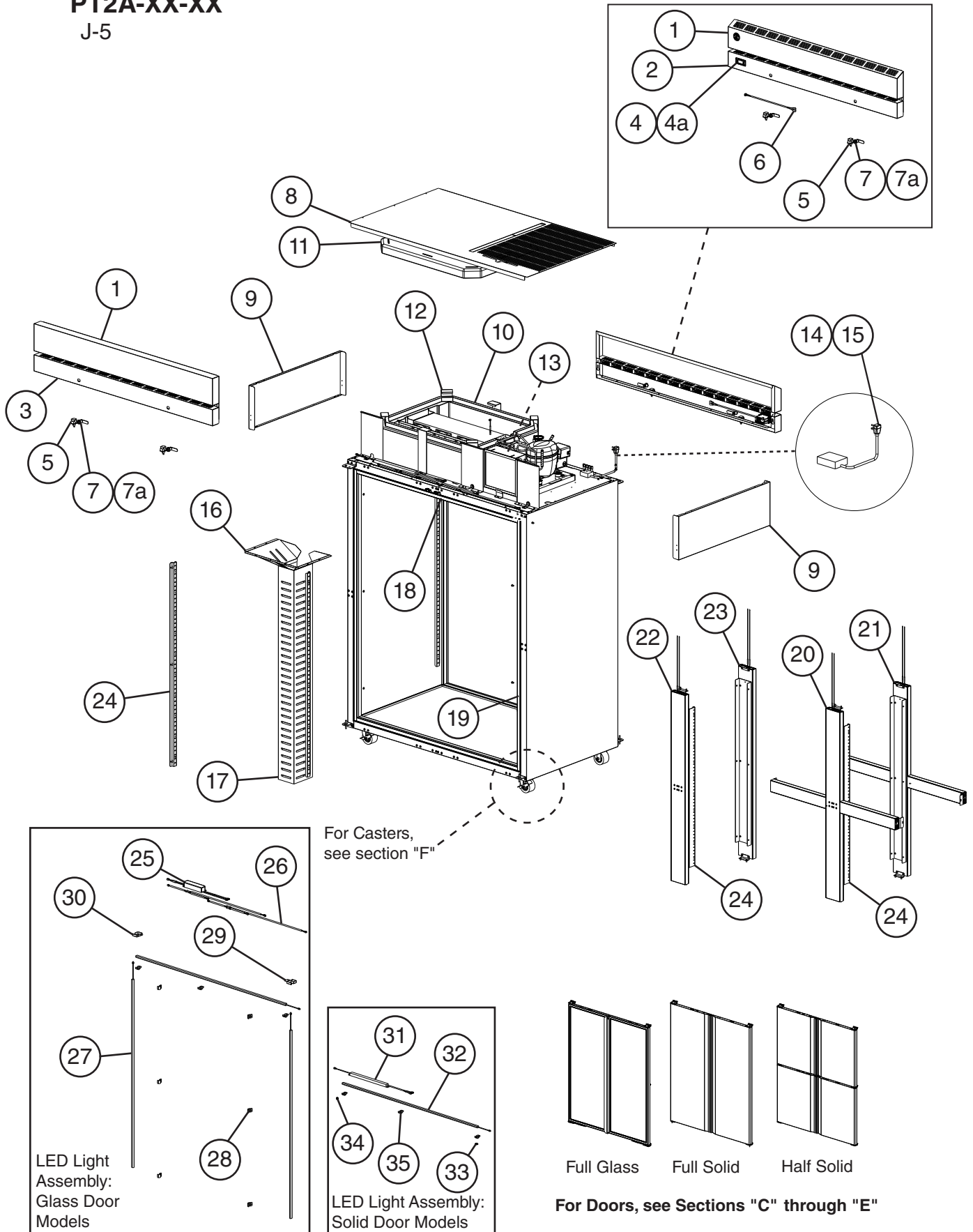


For Casters, see section "F"



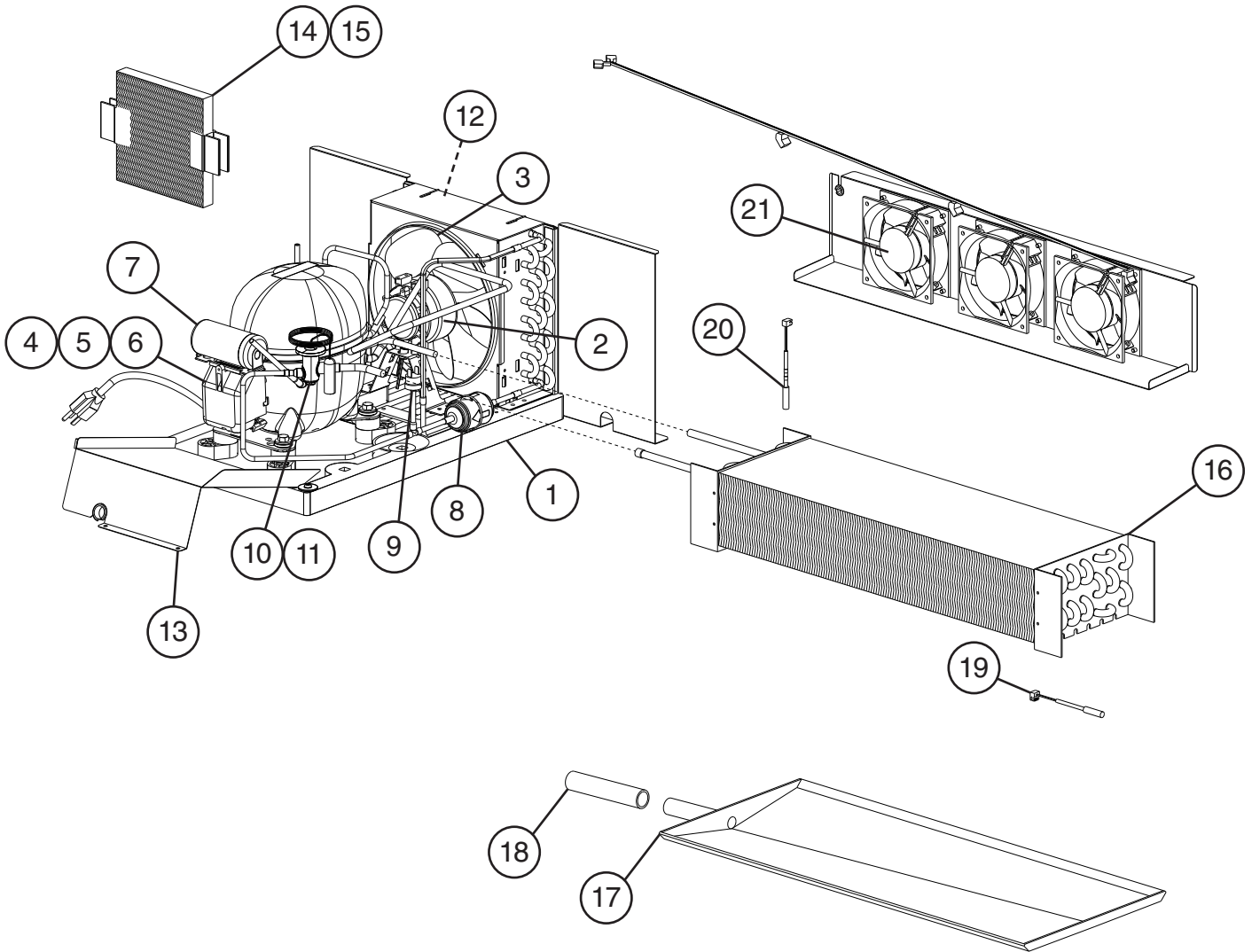
| Title: A. Main Assembly Model: PT1A-XX-XX | | | | | | | | | | | | |
|---|------------------------------------|-----------------------------------|-------------|-----------------|--|--|--|--|--|--|--|--|
| Index No. | Description | Material or Model Number | Part Number | Required Number | | | | | | | | |
| | | | | J-5 | | | | | | | | |
| 1 | Upper Panel | | 3A9604G01 | 1 | | | | | | | | |
| | | | 2A8616-01 | 1 | | | | | | | | |
| 2 | Lower Control Panel | | 2A8615-02 | 1 | | | | | | | | |
| 3 | Lower Panel | | 2A8615-03 | 1 | | | | | | | | |
| 4 | Control Module | Solid | 4A6195G01 | 1 | | | | | | | | |
| | | Glass | 4A6626G01 | 1 | | | | | | | | |
| 4a | Control Module Mounting Clip | | 4A5502-01 | 2 | | | | | | | | |
| 5 | Door Switch | | 3A1826-01 | 2 | | | | | | | | |
| 6 | Door Switch Wire Harness | | 4A6203-01 | 1 | | | | | | | | |
| 7 | Lock (includes item 7a) | | 4A4924-01 | 2 | | | | | | | | |
| 7a | Key (includes 2 keys) | | 4A5453-01 | 2 | | | | | | | | |
| 8 | Top Louver | | 2A8254-01 | 1 | | | | | | | | |
| 9 | Side Panel | | 2A8252-01 | 2 | | | | | | | | |
| 10 | Evaporator Case | | 1A4781-01 | 1 | | | | | | | | |
| 11 | Evaporator Cover | | 1A4782-01 | 1 | | | | | | | | |
| 12 | Evaporator Case Latch | | 3A9802-01 | 4 | | | | | | | | |
| 13 | Pressure Relief Valve | | 4A5694-01 | 1 | | | | | | | | |
| 14 | Power Supply Cord/ Wire Harness | | 3A9838-01 | 1 | | | | | | | | |
| 15 | Connector Cap | | 4A6229-01 | 4 | | | | | | | | |
| 16 | Air Distribution Top | | 1A3951-01 | 1 | | | | | | | | |
| 17 | Air Distribution Panel | | 1A4930-01 | 1 | | | | | | | | |
| 18 | Pilaster | | 3A0145-01 | 4 | | | | | | | | |
| 19 | Horizontal Thermal Breaker Cover | 561 mm | 2A8795-01 | 4 | | | | | | | | |
| 20 | Vertical Thermal Breaker Cover | 1552 mm | 2A8796-01 | 4 | | | | | | | | |
| 21 | Horizontal Mullion | PT1A-HS-HS | 2A8664A01 | 2 | | | | | | | | |
| 22 | LED Lens (wire sleeve) | PT1A-FG-FG | 3A9861-01 | 2 | | | | | | | | |
| 23 | LED Y Harness | | 4A6080-01 | 1 | | | | | | | | |
| 24 | LED Driver | | 3A9820-01 | 1 | | | | | | | | |
| 25 | LED Lamp | | 3A9868-01 | 2 | | | | | | | | |
| 26 | LED Clip | | 4A5906-01 | 6 | | | | | | | | |
| 27 | LED Bracket | | 2A8826-01 | 1 | | | | | | | | |
| 28 | LED Driver | PT1A-FS-FS, PT1A-HS-HS | 3A9867-01 | 1 | | | | | | | | |
| 29 | LED Lamp | | 3A9788-01 | 1 | | | | | | | | |
| 30 | LED Clip | | 4A5906-01 | 2 | | | | | | | | |
| 31 | LED Bushing | | 425307-02 | 1 | | | | | | | | |

A. Main Assembly
PT2A-XX-XX
 J-5



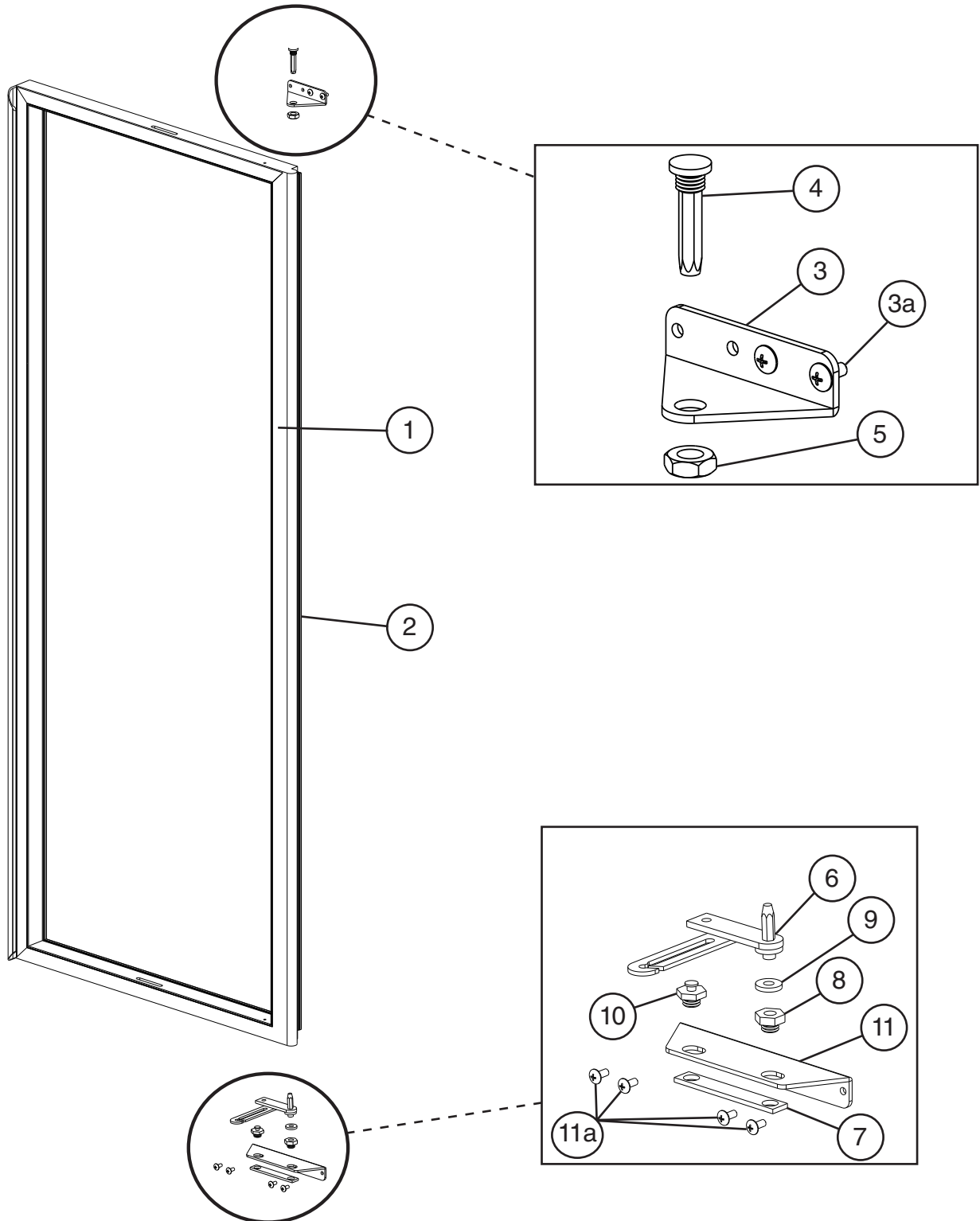
| Title: A. Main Assembly Model: PT2A-XX-XX | | | | | | | | | | | | |
|---|--|-----------------------------------|-----------------------------------|-----------------|---|--|--|--|--|--|--|--|
| Index No. | Description | Material or Model Number | Part Number | Required Number | | | | | | | | |
| | | | | J-5 | | | | | | | | |
| 1 | Upper Panel | | 3B0334G01 | 1 | | | | | | | | |
| | | | 2A8584-01 | 1 | | | | | | | | |
| 2 | Lower Control Panel | | 2A8583-02 | 1 | | | | | | | | |
| 3 | Lower Panel | | 2A8583-03 | 1 | | | | | | | | |
| 4 | Control Module | Solid | 4A6195G01 | 1 | | | | | | | | |
| | | Glass | 4A6626G01 | 1 | | | | | | | | |
| 4a | Control Module Mounting Clip | | 4A5502-01 | 2 | | | | | | | | |
| 5 | Door Switch | | 3A1826-01 | 4 | | | | | | | | |
| 6 | Door Switch Wire Harness | | 4A6203-01 | 1 | | | | | | | | |
| 7 | Lock (includes item 7a) | | 4A4924-01 | 4 | | | | | | | | |
| 7a | Key (includes 2 keys) | | 4A5453-01 | 4 | | | | | | | | |
| 8 | Top Louver | | 2A8725-01 | 1 | | | | | | | | |
| 9 | Side Panel | | 2A8252-01 | 2 | | | | | | | | |
| 10 | Evaporator Case | | 1A4829-01 | 1 | | | | | | | | |
| 11 | Evaporator Cover | | 1A4828-01 | 1 | | | | | | | | |
| 12 | Evaporator Case Latch | | 3A9802-01 | 6 | | | | | | | | |
| 13 | Pressure Relief Valve | | 4A5694-01 | 1 | | | | | | | | |
| 14 | Power Supply Cord/ Wire Harness | | 3A9838-01 | 1 | | | | | | | | |
| 15 | Connector Cap | | 4A6229-01 | 4 | | | | | | | | |
| 16 | Air Distribution Top | | 1A5536-01 | 1 | | | | | | | | |
| 17 | Air Distribution Channel | | 1A5534-01 | 1 | | | | | | | | |
| 18 | Horizontal Thermal Breaker Cover | 1260 mm | 2A8795-02 | 4 | | | | | | | | |
| 19 | Vertical Thermal Breaker Cover | 1552 mm | 2A8796-01 | 4 | | | | | | | | |
| 20 | Front Cross Mullion (Includes 2 Mullion Pilasters) | PT2A-HS-HS | 2A8746A01 | 1 | | | | | | | | |
| 21 | Rear Cross Mullion | | 2A9081A01 | 1 | | | | | | | | |
| 22 | Front Vertical Mullion (Includes 2 Mullion Pilasters) | PT2A-FG-FG, PT2A-FS-FS | 2A8734A01 | 1 | | | | | | | | |
| 23 | Rear Vertical Mullion | | 2A9073A01 | 1 | | | | | | | | |
| 24 | Pilaster | | 3A0145-01 | 6 | | | | | | | | |
| | Mullion Pilaster | | 2A8735-01 | 2 | | | | | | | | |
| 25 | LED Driver | PT2A-FG-FG | 3A9820-01 | 1 | | | | | | | | |
| 26 | LED Y Harness | | 4A6080-01 | 2 | | | | | | | | |
| 27 | LED Lamp | | 3A9868-01 | 3 | | | | | | | | |
| 28 | LED Clip | | 4A5906-01 | 9 | | | | | | | | |
| 29 | LED Bracket (Right) | | 3B0243-01 | 1 | | | | | | | | |
| 30 | LED Bracket (Left) | | 3B0243-02 | 1 | | | | | | | | |
| 31 | LED Driver | | PT2A-FS-FS, PT2A-HS-HS | 3A9867-01 | 1 | | | | | | | |
| 32 | LED Lamp | 3A9868-01 | | 1 | | | | | | | | |
| 33 | Bushing | 425307-02 | | 1 | | | | | | | | |
| 34 | Hole Plug | 4A0586-10 | | 1 | | | | | | | | |
| 35 | LED Clip | 4A5906-01 | | 3 | | | | | | | | |

B. Refrigeration Circuit
PT_A-XX-XX
J-5

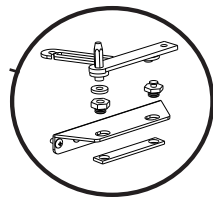
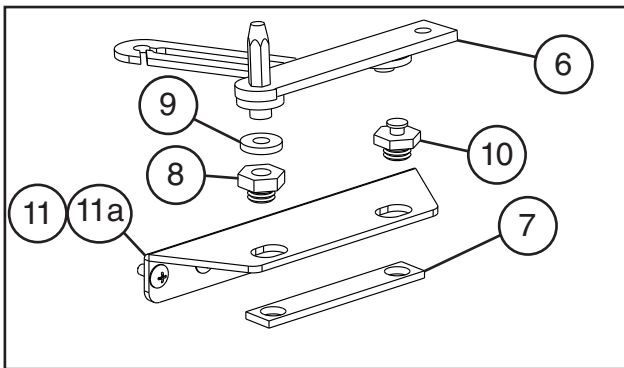
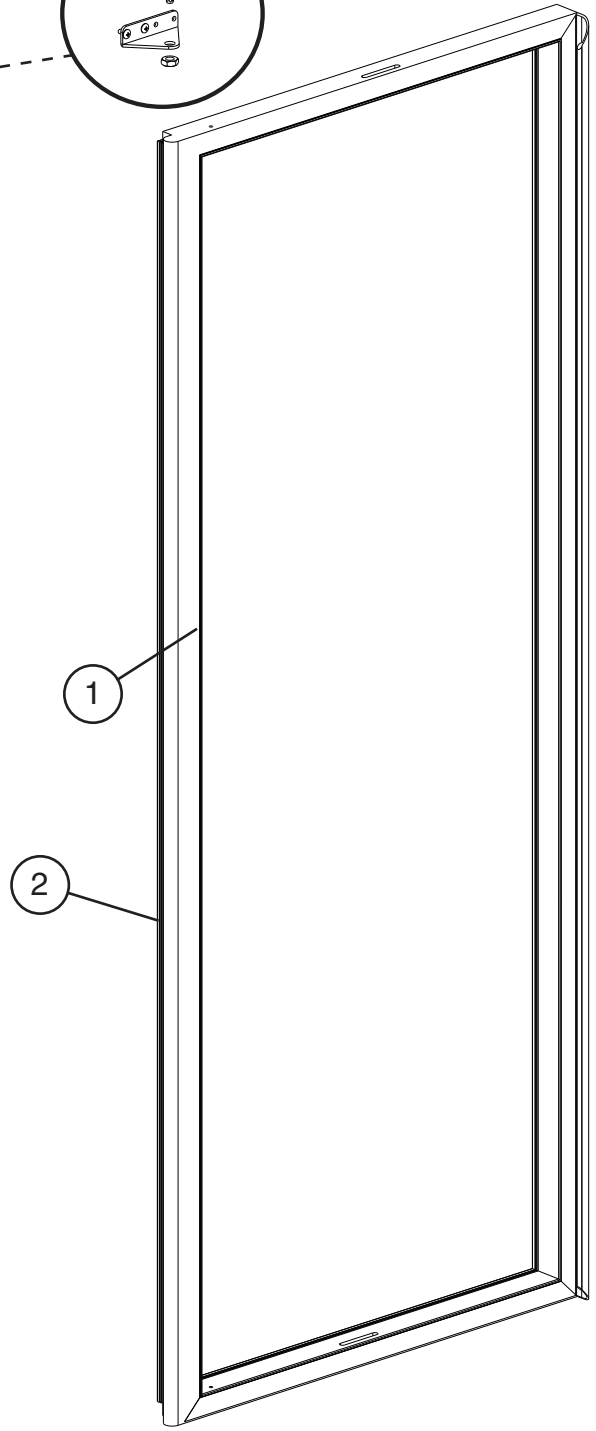
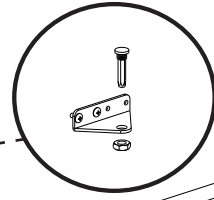
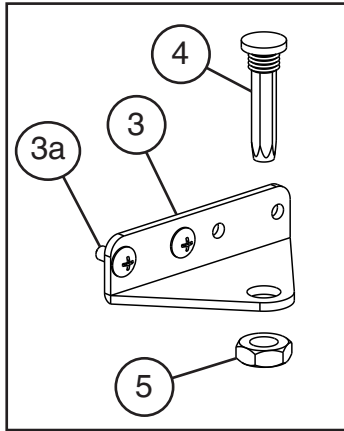


| Title: B. Refrigeration Circuit Model: PT_A-XX-XX | | | | | | | | | | | | |
|---|---|--------------------------|-------------|-----------------|--|--|--|--|--|--|--|--|
| Index No. | Description | Material or Model Number | Part Number | Required Number | | | | | | | | |
| | | | | J-5 | | | | | | | | |
| 1 | Condensing Unit (includes compressor, condenser, and items 2 through 8, compressor and condenser are not sold individually) | PT1A-XX-XX | 2A8791-01 | 1 | | | | | | | | |
| | | PT2A-XX-XX | 2A8793-01 | 1 | | | | | | | | |
| 2 | Condenser Fan Motor | | 4A6376-01 | 1 | | | | | | | | |
| 3 | Condenser Fan Blade | | 4A6377-01 | 1 | | | | | | | | |
| 4 | Compressor External Protector | PT1A-XX-XX | 4A6387-01 | 1 | | | | | | | | |
| | | PT2A-XX-XX | 4A6388-01 | 1 | | | | | | | | |
| 5 | Start Relay | PT1A-XX-XX | 4A6383-01 | 1 | | | | | | | | |
| | | PT2A-XX-XX | 4A6384-01 | 1 | | | | | | | | |
| 6 | Condensing Unit Power Supply Cord | | 4A6501-01 | 1 | | | | | | | | |
| 7 | Start Capacitor | PT1A-XX-XX | 4A6378-01 | 1 | | | | | | | | |
| | | PT2A-XX-XX | 4A6379-01 | 1 | | | | | | | | |
| 8 | Drier | | 4A1113-01 | 1 | | | | | | | | |
| 9 | High-Pressure Switch | | 4A6039-01 | 1 | | | | | | | | |
| 10 | Thermostatic Expansion Valve | PT1A-XX-XX | 4A6184-01 | 1 | | | | | | | | |
| | | PT2A-XX-XX | 4A6206-01 | 1 | | | | | | | | |
| 11 | Thermostatic Expansion Valve Cover | | 4A6201-01 | 1 | | | | | | | | |
| 12 | Air Filter | | 4A6189-01 | 1 | | | | | | | | |
| 13 | Deflector | PT1A-XX-XX | 2A9004-01 | 1 | | | | | | | | |
| 14 | Wick | | 4A6188-01 | 1 | | | | | | | | |
| 15 | Wick Retainer | | 4A6164-01 | 2 | | | | | | | | |
| 16 | Evaporator | PT1A-XX-XX | 2A8783-01 | 1 | | | | | | | | |
| | | PT2A-XX-XX | 2A8631-01 | 1 | | | | | | | | |
| 17 | Evaporator Drain Pan | PT1A-XX-XX | 1A4805-01 | 1 | | | | | | | | |
| | | PT2A-XX-XX | 1A4827-01 | 1 | | | | | | | | |
| 18 | Drain Hose | 75 mm | 7716-2025 | 1 | | | | | | | | |
| 19 | Cabinet Thermistor | | 4A4864-02 | 1 | | | | | | | | |
| 20 | Defrost Thermistor | | 4A4865-02 | 1 | | | | | | | | |
| 21 | Evaporator Fan Motor | PT1A-XX-XX | 4A6192-01 | 2 | | | | | | | | |
| | | PT2A-XX-XX | | 3 | | | | | | | | |

**C. Door-Full Glass
Right Hinged
1/2
J-5**

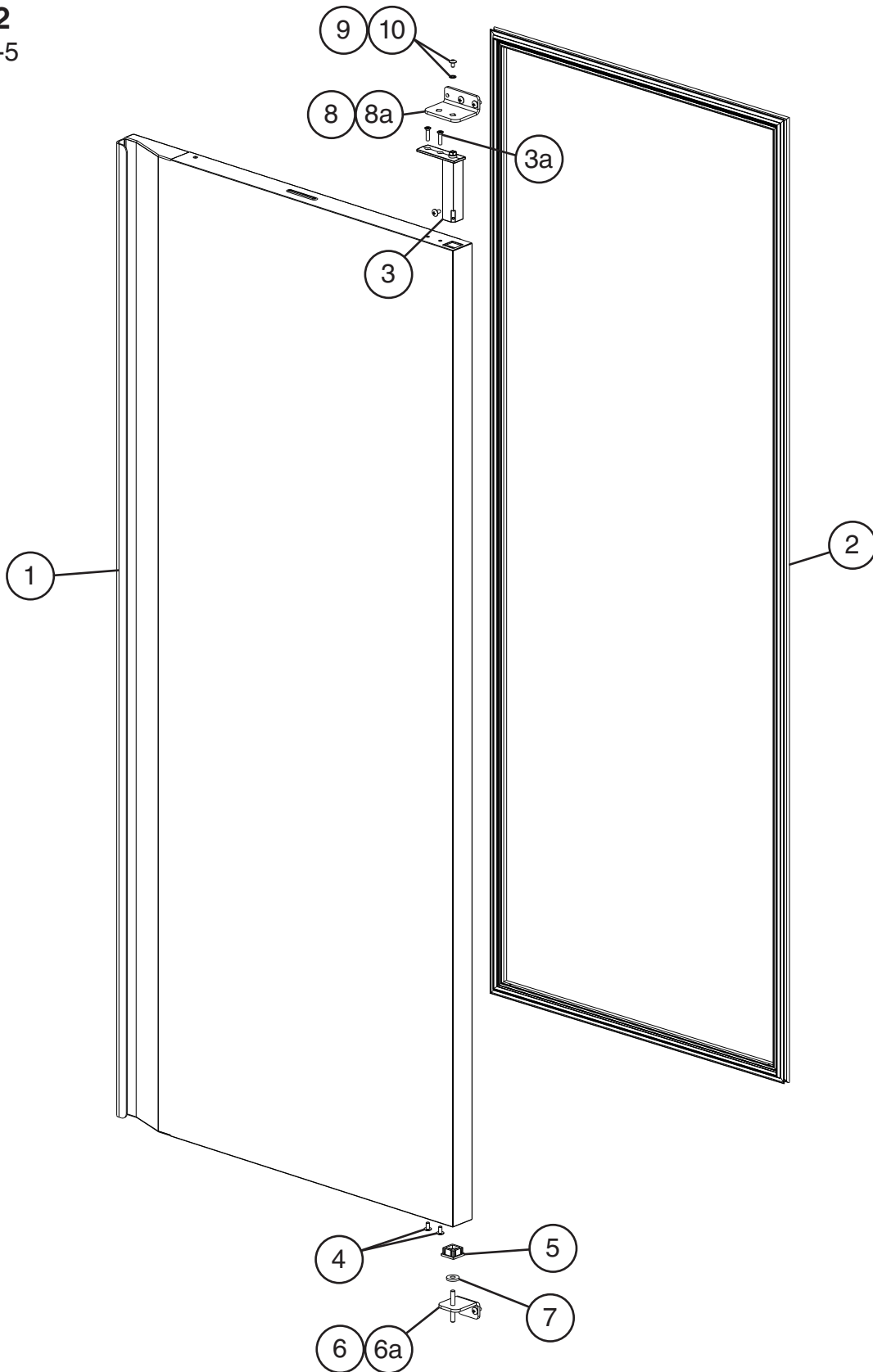


C. Door-Full Glass
Left Hinged
2/2
J-5



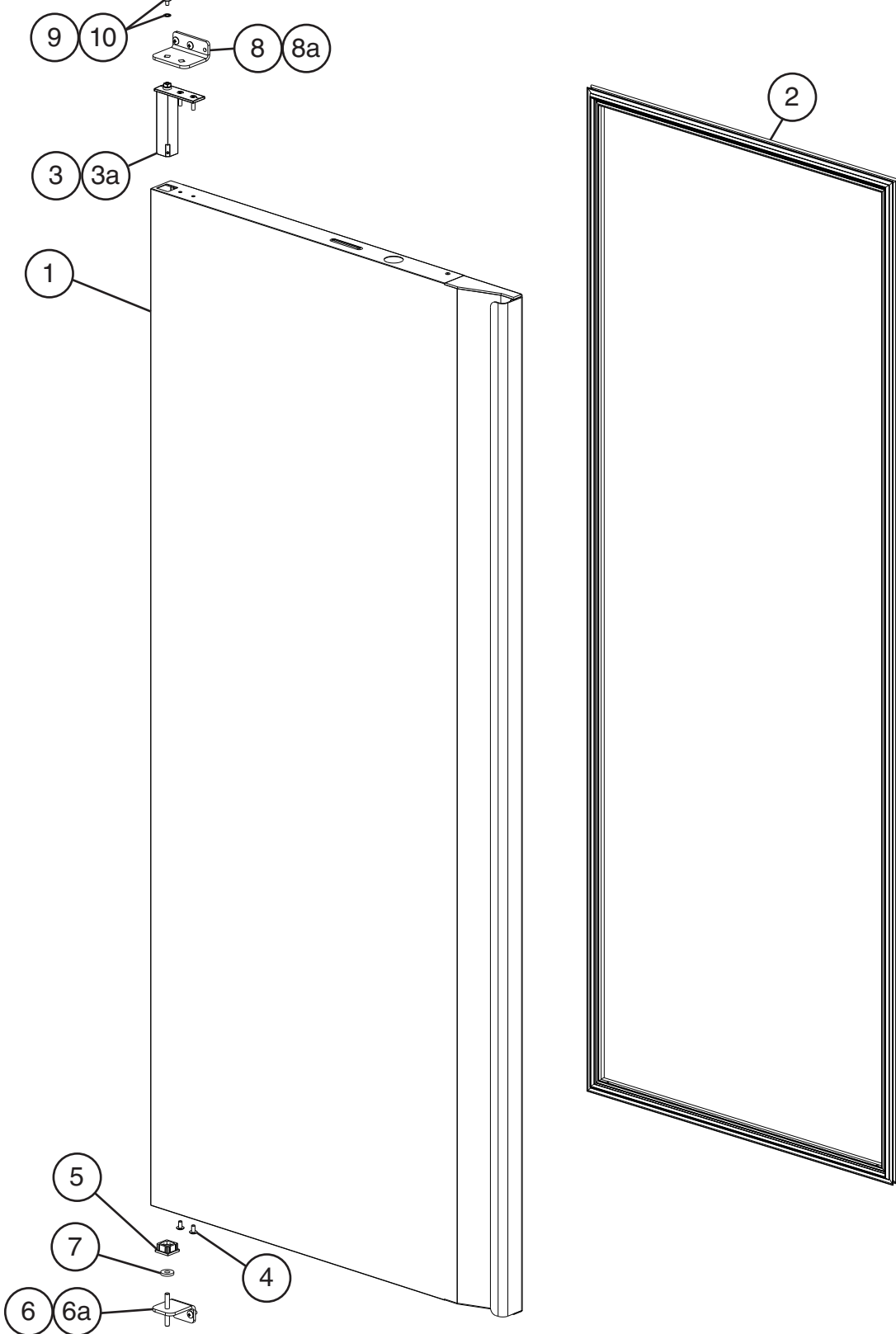
| Title: C. Door-Full Glass Model: Full Glass | | | | | | | | | | | | |
|---|-------------------------|--------------------------|-------------|-----------------|--|--|--|--|--|--|--|--|
| Index No. | Description | Material or Model Number | Part Number | Required Number | | | | | | | | |
| | | | | J-5 | | | | | | | | |
| 1 | Right Glass Door | PT1A-FG-FG | 2A7834-03 | 1 | | | | | | | | |
| | | PT2A-FG-FG | 2A7834-04 | 1 | | | | | | | | |
| | Left Glass Door | PT2A-FG-FG | 2A7834-02 | 1 | | | | | | | | |
| 2 | Gasket | | 3A8864-01 | 1 | | | | | | | | |
| 3 | Upper Hinge Bracket | | 3A9162-01 | 1 | | | | | | | | |
| 3a | Truss Head Screw | 5x12, SS | 7C32-0512 | 2 | | | | | | | | |
| 4 | Tension Rod (hinge pin) | | 3A7946-04 | 1 | | | | | | | | |
| 5 | Lock Nut | | 3A7946-05 | 1 | | | | | | | | |
| 6 | Lower Hinge Arm | | 3A7946-01 | 1 | | | | | | | | |
| 7 | Backer Plate | | 3A7946-08 | 1 | | | | | | | | |
| 8 | Bottom Hinge Bushing | | 3A7946-09 | 1 | | | | | | | | |
| 9 | Nylon Washer | | 3A7946-10 | 1 | | | | | | | | |
| 10 | Slide Pin | | 3A7946-11 | 1 | | | | | | | | |
| 11 | Lower Hinge Bracket | | 3A9161-01 | 1 | | | | | | | | |
| 11a | Truss Head Screw | 5x12, SS | 7C32-0512 | 4 | | | | | | | | |

D. Door-Full Solid
Right Hinged
1/2
J-5



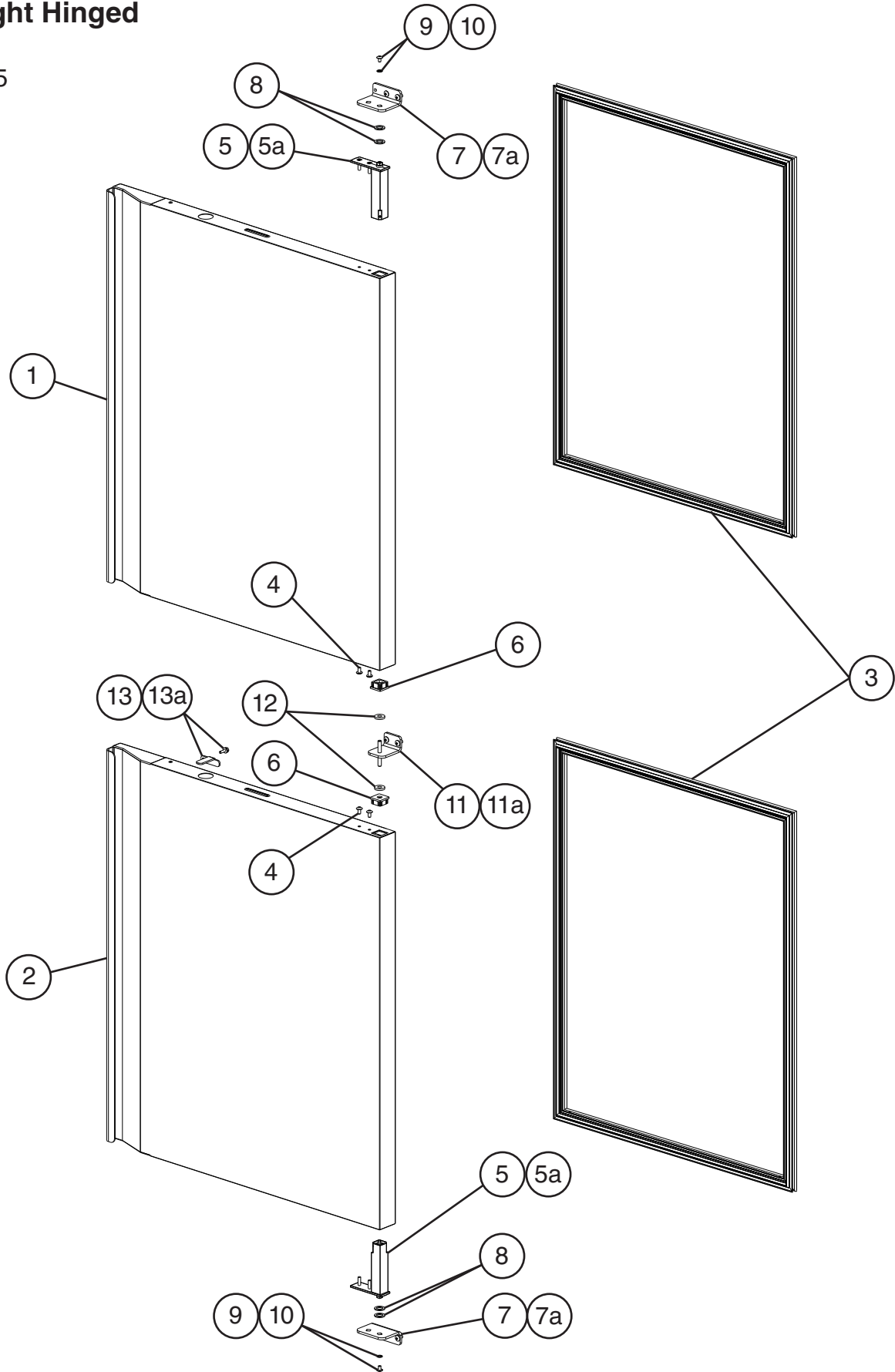
**D. Door-Full Solid
Left Hinged**

2/2
J-5

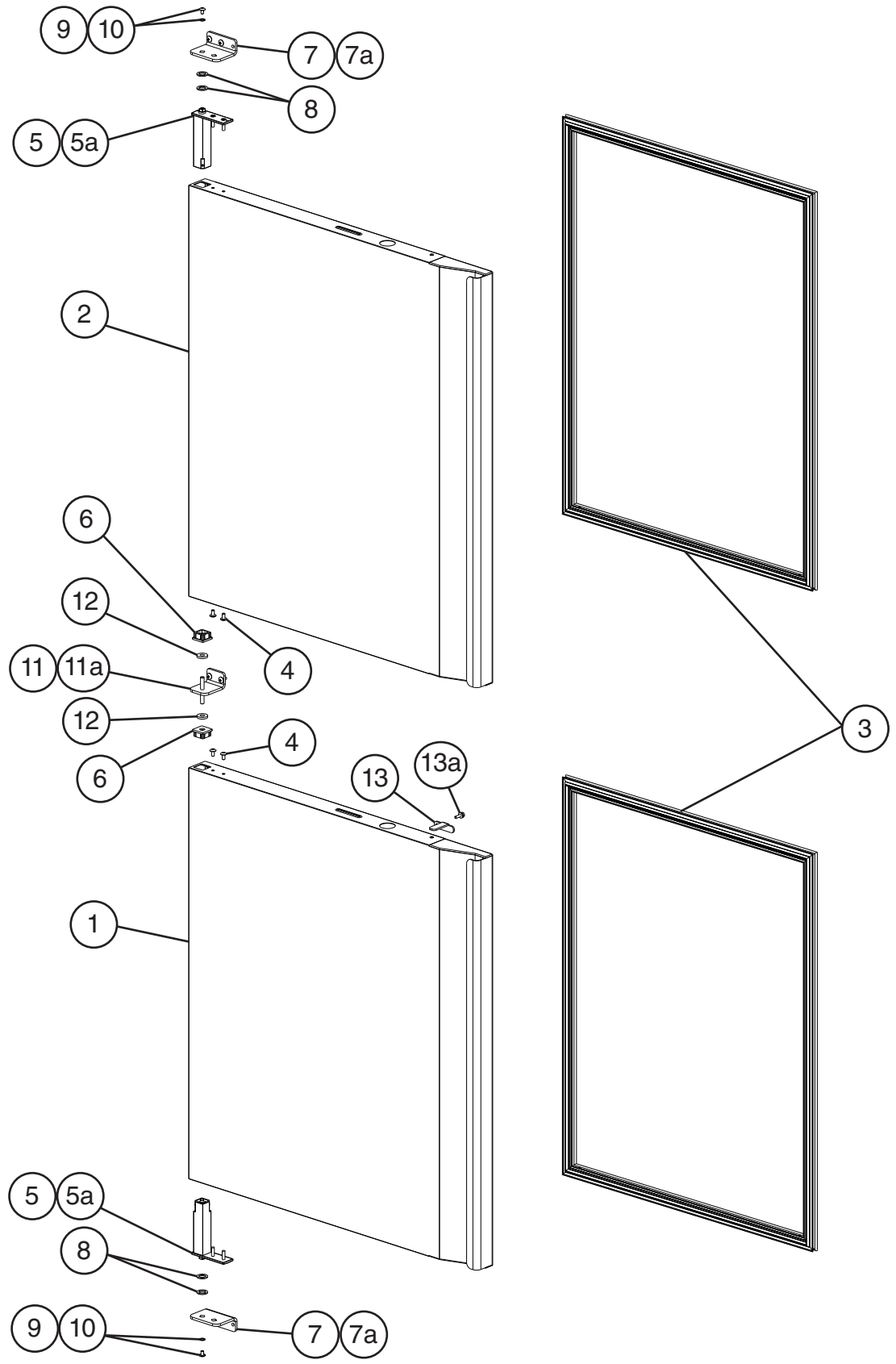


| Title: D. Door-Full Solid Model: Full Solid | | | | | | | | | | | | |
|---|---|--------------------------|-------------|-----------------|--|--|--|--|--|--|--|--|
| Index No. | Description | Material or Model Number | Part Number | Required Number | | | | | | | | |
| | | | | J-5 | | | | | | | | |
| 1 | Right Door Assembly (includes items 2 through 5) | | 2A7814G01 | 1 | | | | | | | | |
| | Left Door Assembly (includes items 2 through 5) | | 2A7817G01 | 1 | | | | | | | | |
| 2 | Gasket | | 2A5192-07 | 1 | | | | | | | | |
| 3 | Spring Cartridge | | 3A9206-01 | 1 | | | | | | | | |
| 3a | Spring Cartridge Screw | 5x20, SS | 7C42-0520 | 2 | | | | | | | | |
| 4 | Truss Head Screw (Filler Screw) | 5x10, SS | 7C32-0510 | 2 | | | | | | | | |
| 5 | Nylon Bearing | | 4A5232-01 | 1 | | | | | | | | |
| 6 | Lower Hinge Bracket | | 3A9767G01 | 1 | | | | | | | | |
| 6a | Truss Head Screw | 5x12, SS | 7C32-0512 | 2 | | | | | | | | |
| 7 | Thrust Washer | | 4A5234-01 | 1 | | | | | | | | |
| 8 | Upper Hinge Bracket | | 3A9689-01 | 1 | | | | | | | | |
| 8a | Truss Head Screw | 5x12, SS | 7C32-0512 | 2 | | | | | | | | |
| 9 | Upper Hinge Bracket Washer | | 4A5231-01 | 1 | | | | | | | | |
| 10 | Upper Hinge Bracket Screw | | 4A5230-01 | 1 | | | | | | | | |

**E. Door-Half Solid
Right Hinged
1/2
J-5**



E. Door-Half Solid
Left Hinged
2/2
J-5

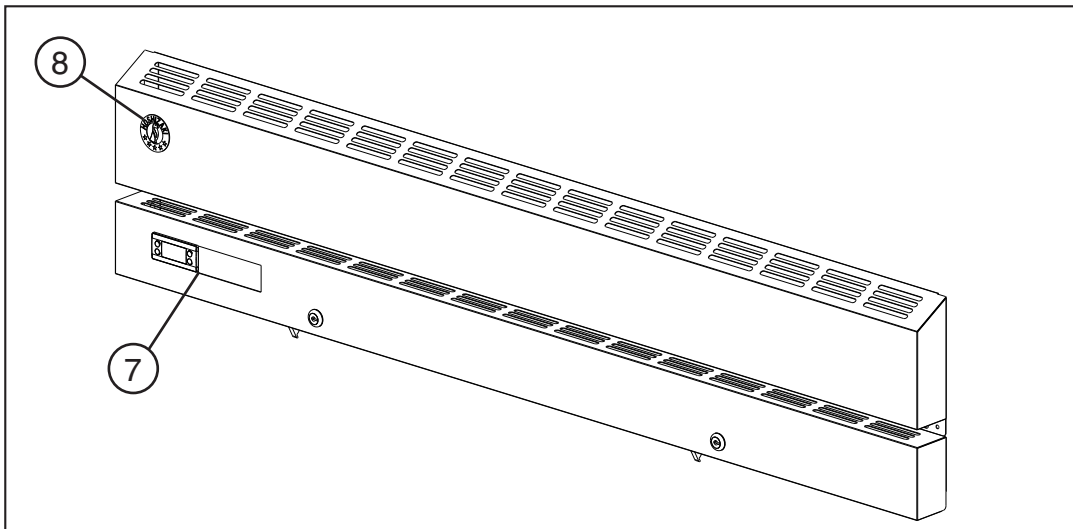
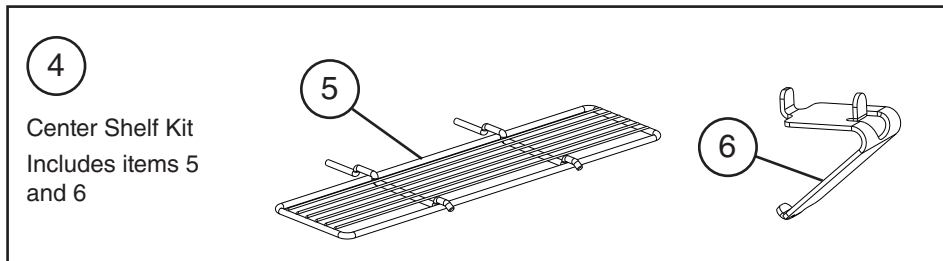
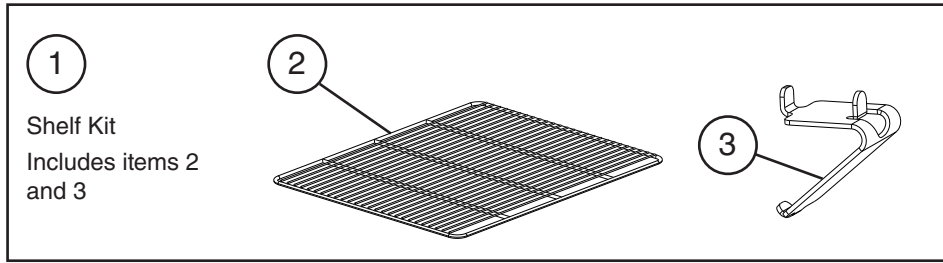


| Title: E. Door-Half Solid Model: Half Solid | | | | | | | | | | | | |
|---|--|--------------------------|-------------|-----------------|--|--|--|--|--|--|--|--|
| Index No. | Description | Material or Model Number | Part Number | Required Number | | | | | | | | |
| | | | | J-5 | | | | | | | | |
| 1 | Upper Right/Lower Left Door Assembly (includes half the quantity of items 3 through 6) | | 2A7837G01 | 1 | | | | | | | | |
| 2 | Lower Right/Upper Left Door Assembly (includes half the quantity of items 3 through 6) | | 2A7838G01 | 1 | | | | | | | | |
| 3 | Gasket | | 2A5192-22 | 2 | | | | | | | | |
| 4 | Truss Head Screw (Filler Screw) | 5x10, SS | 7C32-0510 | 4 | | | | | | | | |
| 5 | Spring Cartridge | | 3A9206-01 | 2 | | | | | | | | |
| 5a | Spring Cartridge Screw | 5x20, SS | 7C42-0520 | 4 | | | | | | | | |
| 6 | Nylon Bearing | | 4A5232-01 | 2 | | | | | | | | |
| 7 | Upper/Lower Hinge Bracket | | 3A9689-01 | 2 | | | | | | | | |
| 7a | Truss Head Screw | 5x12, SS | 7C32-0512 | 4 | | | | | | | | |
| 8 | Thrust Washer | | 4A5233-01 | 4 | | | | | | | | |
| 9 | Lock Washer | | 4A5231-01 | 2 | | | | | | | | |
| 10 | Screw | | 4A5230-01 | 2 | | | | | | | | |
| 11 | Middle Hinge Bracket | | 3A9767G01 | 1 | | | | | | | | |
| 11a | Truss Head Screw | 5x12, SS | 7C42-0512 | 2 | | | | | | | | |
| 12 | Thrust Washer | | 4A5234-01 | 2 | | | | | | | | |
| 13 | Half-Door Lock | | 4A5249-01 | 1 | | | | | | | | |
| 13a | Bolt | | 449879-08 | 1 | | | | | | | | |

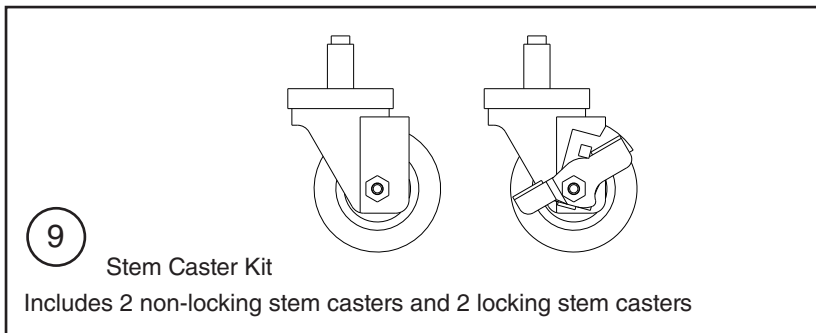
F. Accessories & Labels

PT_A-XX-XX

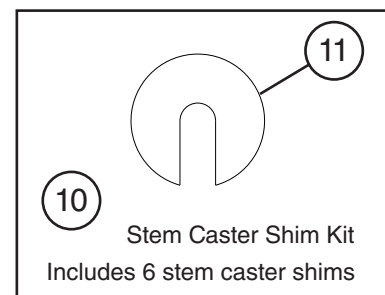
J-5



Stem Caster



Stem Caster Shim



| Title: F. Accessories & Labels Model: PT_A-XX-XX | | | | | | | | | | | | |
|--|---|--------------------------|-------------------------|-----------------|--|--|--|--|--|--|--|--|
| Index No. | Description | Material or Model Number | Part Number | Required Number | | | | | | | | |
| | | | | J-5 | | | | | | | | |
| 1 | Shelf Kit (3 Pack) (includes items 2 and 3) | PT1A-XX-XX | 3A4447A01 (HS-3550) | 1 | | | | | | | | |
| | Shelf Kit (3 Pack) (one kit includes half of items 2 and 3) | PT2A-XX-XX | | 2 | | | | | | | | |
| 2 | Shelf | PT1A-XX-XX | 3A2515-01 (HS-3551) | 3 | | | | | | | | |
| | | PT2A-XX-XX | | 6 | | | | | | | | |
| 3 | Shelf Clip | PT1A-XX-XX | 428957-01 | 12 | | | | | | | | |
| | | PT2A-XX-XX | | 24 | | | | | | | | |
| 4 | Center Shelf Kit (3 Pack) (includes items 5 and 6) | PT2A-XX-XX | 3A44451A01 (HS-3510) | 1 | | | | | | | | |
| 5 | Center Shelf | PT2A-XX-XX | 2A1579-01 (HS-3509) | 3 | | | | | | | | |
| 6 | Shelf Clip | PT2A-XX-XX | 428957-01 | 3 | | | | | | | | |
| 7 | Hoshizaki Label | | 3B0043-01 | 1 | | | | | | | | |
| 8 | Penguin Label | | 475552L02 | 1 | | | | | | | | |
| Stem Caster | | | | | | | | | | | | |
| 9 | 4-inch Stem Caster Pack (includes 1 locking caster and 1 non-locking caster) | | 4A1347-03 | 2 | | | | | | | | |
| 10 | Stem Caster Shim Kit (includes item 13) | | HS-3590 | 1 | | | | | | | | |
| 11 | Stem Caster Shim | | 4A3658-01 | 6 | | | | | | | | |