

RF70F29MER

SAMSUNG

Bespoke 29 cu. ft. 4-Door French Door Refrigerator with Dual Auto Ice Maker with Sphere Ice™ & Inner Beverage Center™ in Stainless Steel



Signature Features

Dual Auto Ice Maker with Sphere Ice™

Chill your drinks with cubed ice or Sphere Ice.™ Sphere Ice™ melts slowly to keep your drinks colder for longer.*

*Compared to cubed ice.

Inner Beverage Center™

Get quick and easy access to refreshingly cold water in two ways, from inside the fridge.

FlexZone™ Drawer

Customize your middle drawer with 5 different temperature settings.

AI Energy Mode with SmartThings

SmartThings Energy lets you monitor and manage your refrigerator's power usage. Reduce your energy use by up to 10%¹ with AI Energy mode, all from your phone.²

¹Comparing factory setting temperature without AI Energy mode and with AI Energy, which optimizes the compressor speed and defrost cycle based on usage pattern and conditions. Results may vary depending on the usage pattern and conditions

²AI Energy Mode must be turned on in the SmartThings App available on Android and iOS devices. A Wi-Fi connection and a Samsung account are required.



Inner Beverage Center™



Dual Ice Maker
with Cubed Ice & Sphere Ice

Design

- Inner Beverage Center™
- Modern Design
- Recessed Handle
- ADA-Compliant Display
- Slide-In Shelf
- LED Lighting
- Gallon Door Bin

Technology

- Wi-Fi Enabled
- Power Cool & Power Freeze
- Door Alarm
- Water Filter Indicator

Performance

- Dual Auto Ice Maker with Cubed Ice & Sphere Ice™
- FlexZone™ Drawer
- AI Energy Mode with SmartThings
- AI Precise Cooling
- 29 cu. ft. Extra-Capacity
- Twin Cooling
- Metal Cooling

Rating



ENERGY STAR® rated:
685 kWh/yr



ADA Compliant

RF70F29MER

SAMSUNG

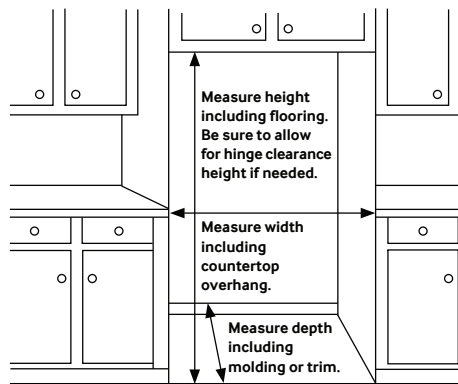
Bespoke 29 cu. ft. 4-Door French Door Refrigerator with Dual Auto Ice Maker with Sphere Ice™ & Inner Beverage Center™ in Stainless Steel

Installation Specifications

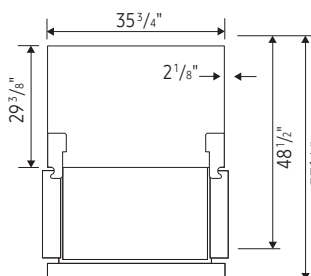
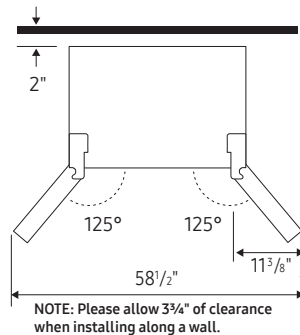
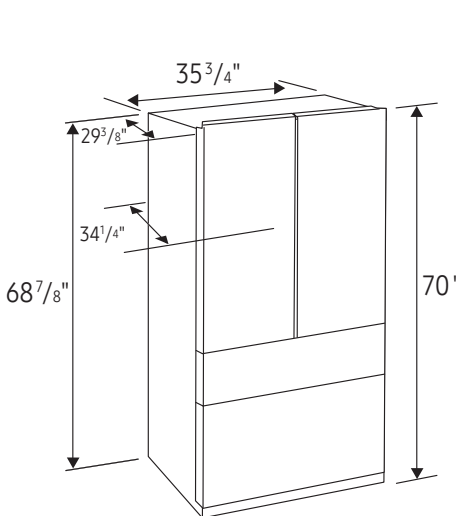
1. Measure the height, width and depth of the opening, making sure to include baseboards, molding tile, countertop overhang, etc. Check to be sure there is enough room to open the door (consider walls, islands or other obstacles when measuring).
2. Refer to illustration below to determine dimensions.
3. Allow 3.75" of clearance on hinge side of refrigerator when installing next to a wall where handle may make contact.
4. Allow 2" minimum clearance at rear for proper air circulation and water/electrical connections. Allow a 3/8" minimum clearance at sides and top for ease of installation.
5. Ensure each door and entryway in the home is wide enough for the refrigerator to be moved through easily.

For optimal usage and ability to open refrigerator doors completely, do not install next to a wall.

Please note: The following dimensions and cutout information is for planning purposes only. For complete installation details, consult manual packed with product, or download manual online at samsung.com.



Dimensions



Total Capacity: 28.9 cu. ft.

Refrigerator: 16.8 cu. ft.

- 1 Slide-In Shelf, 3 Tempered Glass Spill-Proof Shelves
- 2 Clear Drawers, Including Crisper+
- 6 Door Bins
 - Right: 1 Gallon Bin, 2 Regular Bins
 - Left: 3 Regular Bins
- Surface Lighting

FlexZone™ Drawer: 3.1 cu. ft.

- 5 Temperature Zones
 - Soft Freeze (23°F)
 - Meat/Fish (30°F)
 - Cold Drinks (34°F)
 - Deli/Snacks (37°F)
 - Wine/Party Dishes (41°F)
- Drawer Divider
- High Efficiency LED Lighting

Freezer: 9.0 cu. ft.

- Dual Ice Maker in Freezer (Cubed Ice or Sphere Ice™) Ice Bucket with 1 Scoop
- Produces up to 2.6 lbs ice/day; stores up to 4.6 lbs
- High Efficiency LED Lighting

Accessories

Water Filter: HAF-QIN

Warranty

One (1) Year Parts and Labor on Refrigerator
Five (5) Years Parts and Labor on Sealed Refrigeration System Only*
Ten (10) Years Parts and Five (5) Years Labor on Digital Inverter Compressor

*Compressor, evaporator, condenser, drier and connecting tubing.

Product Dimensions & Weight

Dimensions (WxHxD with hinges and doors):
35 3/4" x 70" x 34 1/4"

Dimensions (WxHxD without hinges and doors):
35 3/4" x 68 7/8" x 29 3/8"

Weight: 324.08 lbs

Shipping Dimensions & Weight (WxHxD)

Dimensions: 37 11/16" x 75 3/8" x 36"

Weight: 332.9 lbs

Color

Fingerprint Resistant
Stainless Steel

Model

RF70F29MER

UPC Code

198957224461