



## Standard Features & Accessories

### All models include

- Commercial-type construction, design, and styling
  - All cabinets are constructed completely of heavy-duty stainless steel
  - Professional-style handle(s) match the look of Viking outdoor appliances
- 30"D.
- Provides essential counter and storage space
- Heavy-duty, adjustable legs (same as used on ranges)
- Cabinets must be installed with locally-supplied countertop
- Optional clip-on toe kick included

### VBO1811 model

- For use in general cabinet runs
- One drawer equipped with full extension slides
- One door

### VBO1830 model

- For use in general cabinet runs
- Three drawers equipped with full extension slides

### VSBO2402/3602 models

- For general use in cabinet runs
- Accommodates multiple sink sizes (sold separately)
- Two doors may be adjusted to mount left or right hinge
  - Fully-concealed hinges

### VTPO1810 model

- For general use in cabinet runs
- Accommodates two trash bins (included)
- Drawer (one) equipped with full extension slides

## Model Options



**VBO1811**  
18"W. base cabinet  
(one-drawer, one-door)



**VBO1830**  
18"W. base cabinet  
(three-drawer)



**VSBO2402/3602\***  
24"W./36"W.  
sink cabinets



**VTPO1810**  
18"W. trash  
pullout cabinet

### FINISH DETAILS FOR ALL MODELS

- Stainless Steel (SS)

\*Shown throughout with sink, sold separately.





★ Please see Installation Notes and Accessories for important information, including side panels and filler strips.

### Dimensions & Specifications

#### PRODUCT DIMENSIONS



**VBO1811**  
18"W. base cabinet  
(one-drawer, one-door)



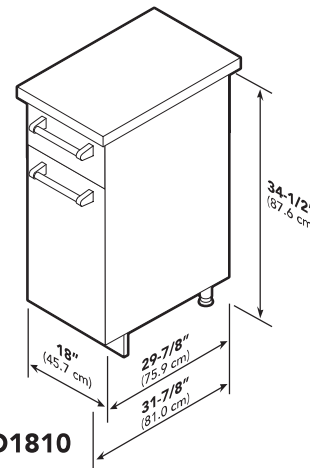
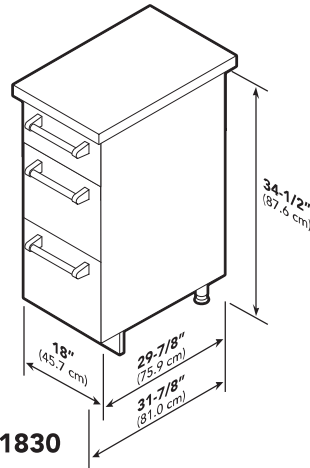
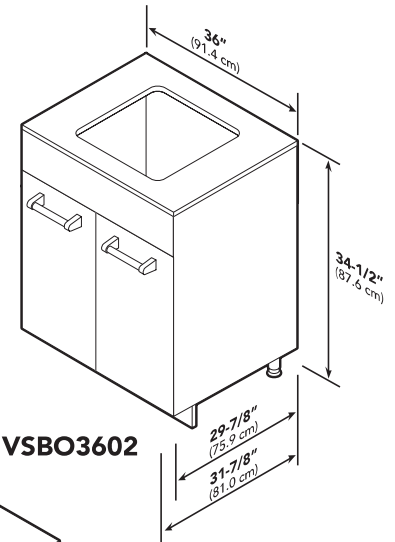
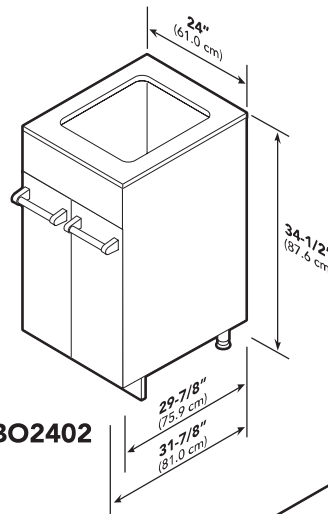
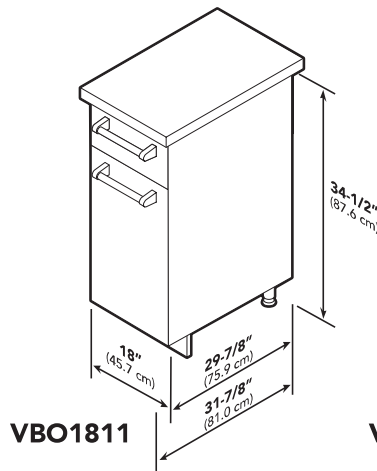
**VBO1830**  
18"W. base cabinet  
(three-drawer)



**VSBO2402/3602**  
24"W./36"W.  
sink cabinets



**VTPO1810**  
18"W. trash  
pullout cabinet

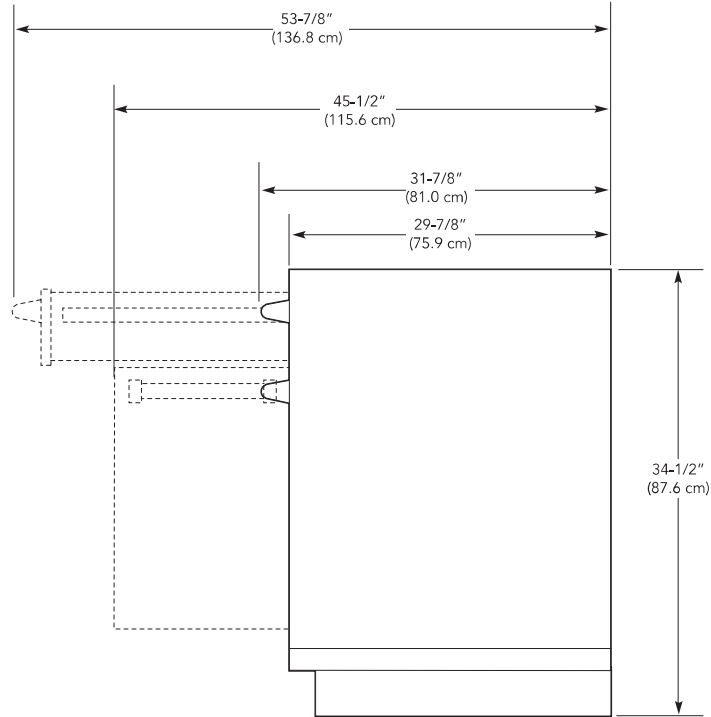


	<b>VBO1811</b>	<b>VBO1830</b>	<b>VSBO2402</b>	<b>VSBO3602</b>	<b>VTPO1810</b>
Overall width (including doors)	18" (45.7 cm)	18" (45.7 cm)	24" (61.0 cm)	36" (91.4 cm)	18" (45.7 cm)
Overall height (from bottom)	<b>34-1/2" (87.6 cm)</b>				
Overall depth (from rear)	<b>29-7/8" (75.9 cm)</b>				
To end of handle brackets	<b>31-7/8" (81.0 cm)</b>				
With drawer open	<b>53-7/8" (136.8 cm)</b>				
Approx. ship wt. lbs. (kg)	141 (63.7)	156 (70.8)	165 (74.8)	180 (81.7)	145 (65.8)

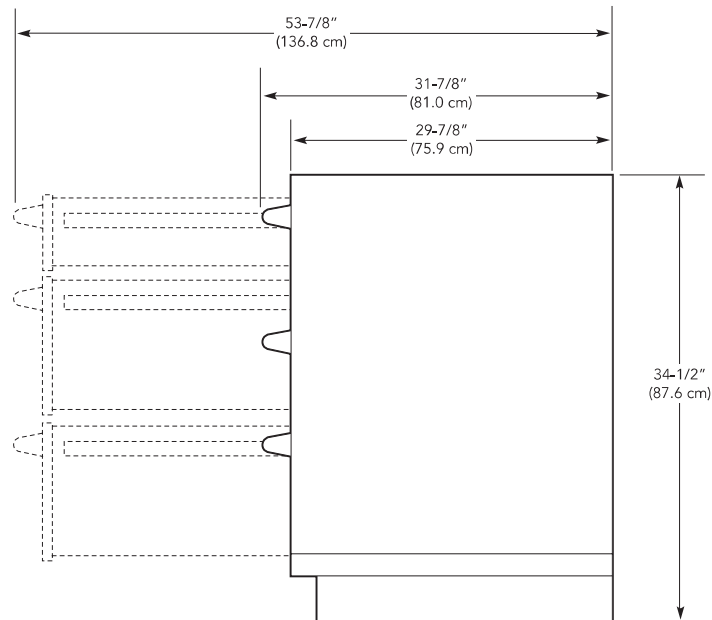


## Dimensions & Specifications

### DRAWER EXTENSION & DOOR SWING



**VBO1811**

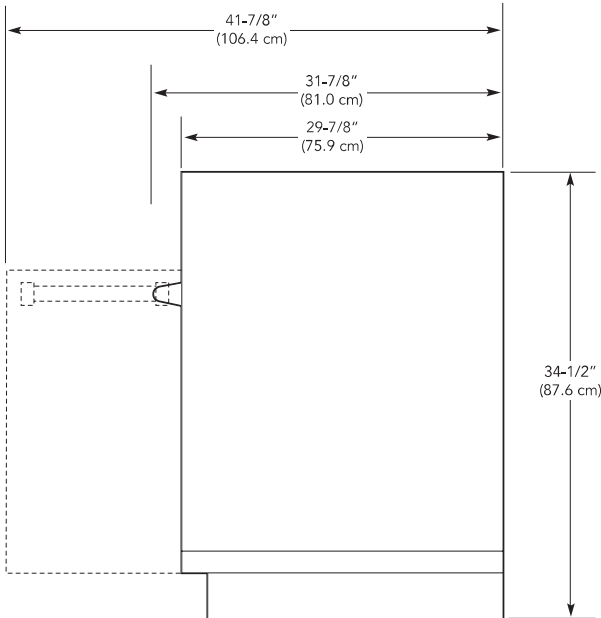


**VBO1830**

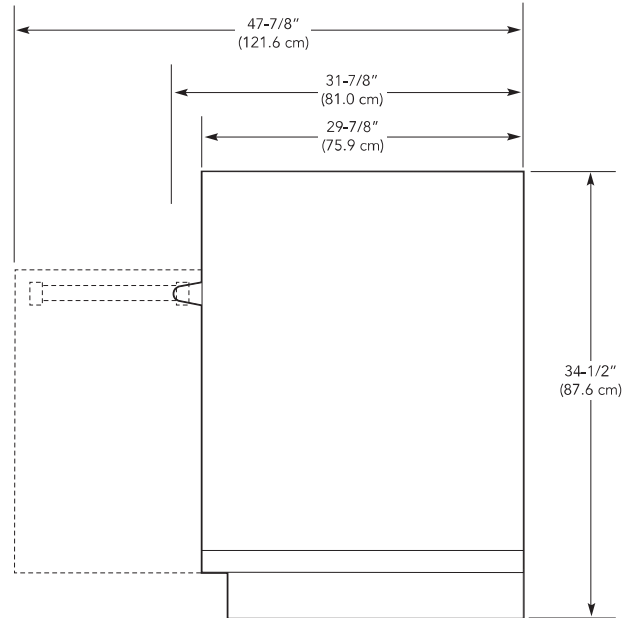


## Dimensions & Specifications

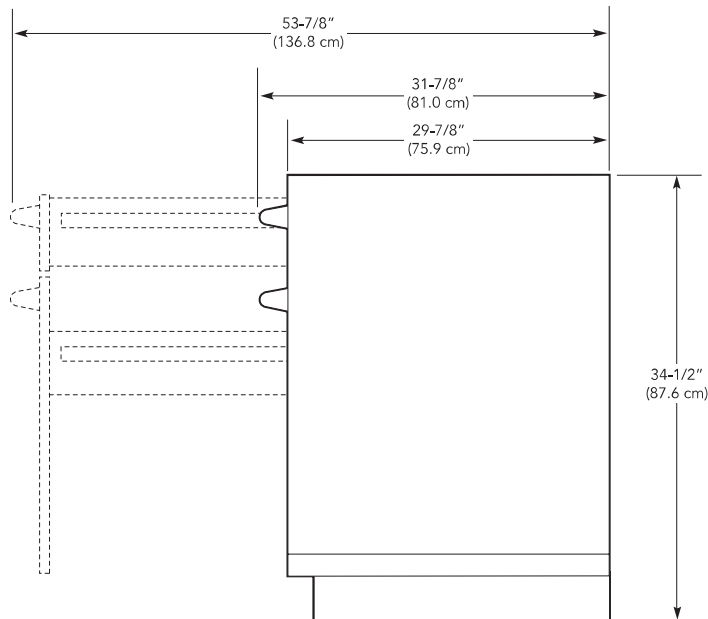
### DRAWER EXTENSION & DOOR SWING



**VSBO2402**



**VSBO3602**



**VTPO1810**



## ✦ Installation Notes & Accessories

### Side Panels

- Heavy-duty stainless steel
- Panels finish sides of base cabinets at the end of a run
- Fit flush into recessed sides of cabinets
- Optional clip-on toe-kick included

Model	Description	Approx. ship wt. lbs. (kg)
VSP30	30"W. x 29-3/4"H. side panel	16 (7.3)

### Back Panels

- Heavy-duty stainless steel
- For use in custom island installations
- Individual panels for each cabinet
- 3/4"-thick (adds to cabinet depth)
- Optional clip-on toe-kick included

Model	Description	Approx. ship wt. lbs. (kg)
VBP18	18"W. back panel (for VBO1811/1830 & VTPO1810)	12 (5.4)
VBP24	24"W. back panel (for VSBO2402)	15 (6.8)
VBP36	36"W. back panel (for VSBO3602)	23 (10.4)

### Filler Strips, Pieces, & Other Corner Panel Kits

- Strips separate cabinets and create turns
  - Mount sides flush with doors, NOT cabinet face
- Fit flush into recessed sides of cabinets
- VOCF90 & VOCF135 shipped with two unattached back panels
- Optional clip-on toe-kick included

Model	Description	Approx. ship wt. lbs. (kg)
VCF90	Corner filler piece (each side is 4"W.)—for 90° bends	5 (2.3)
VCF135	Corner filler piece (each side is 4"W.)—for 135° bends	5 (2.3)
VFLR4	General filler strip (4"W.)—for separating appliance-based cabinets	5 (2.3)
VBPF4	4"W. back panel (for use w/VFLR4)	5 (2.3)
VOCF90	Outer corner filler panel kit (each side is 4"W.)— for connecting 2 back panels at 90° angle and adding countertop support	40 (18.1)
VOCF135	Outer corner filler panel kit (each side is 4"W.)— for connecting 2 back panels at 135° angle and adding countertop support	40 (18.1)

## WARRANTY SUMMARY\*

- One-year full warranty—complete product (w/in-home repairs)
- Lifetime limited warranty—all stainless steel components (includes rust-through)
- Two-year limited warranty—door hinges/drawer slides
- Ninety-day limited warranty—cosmetic parts (glass, painted, & decorative items)

\* For complete warranty see *Use & Care Guide*. Warranty valid on Viking products shipped within the United States and Canada.

