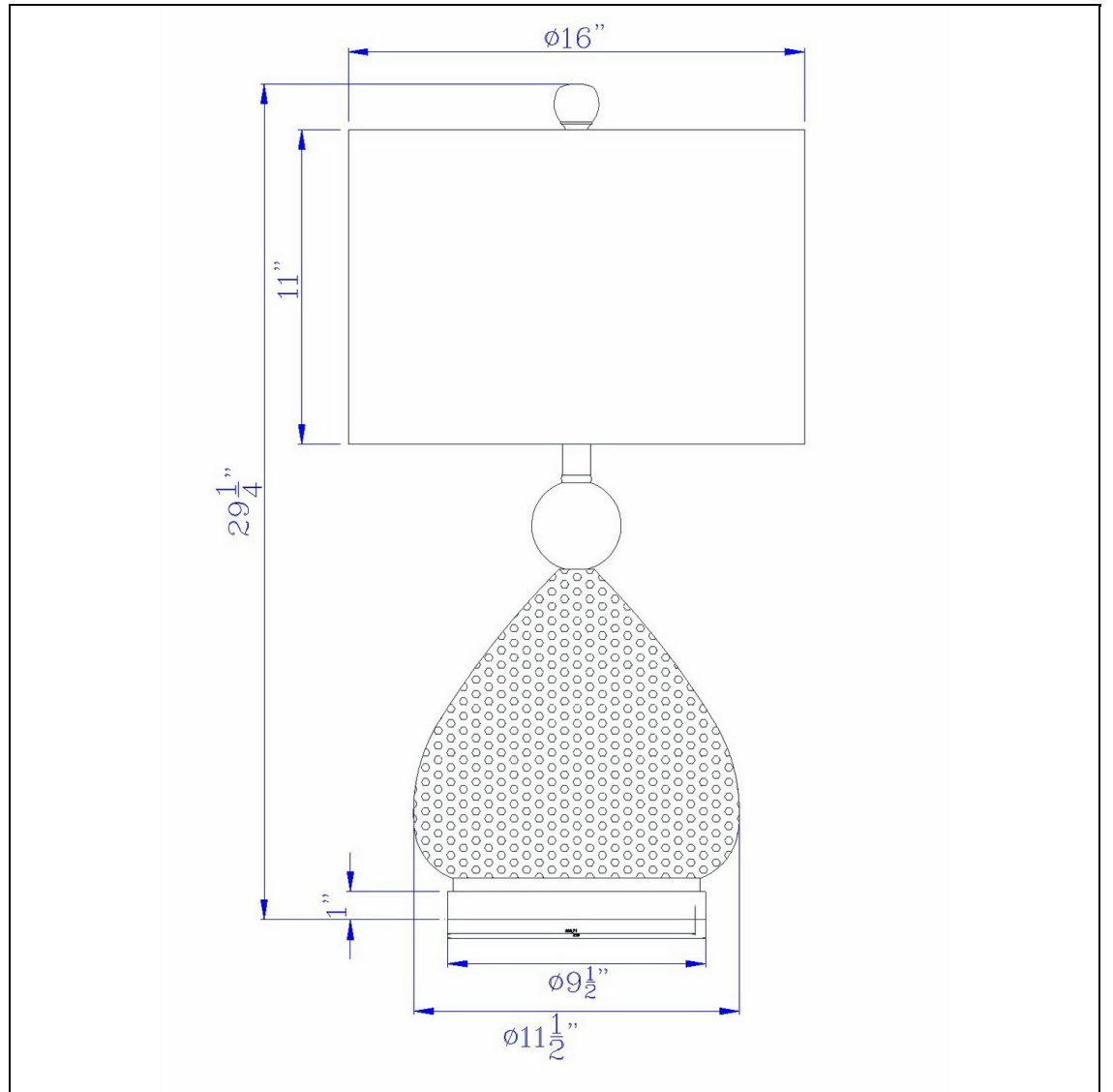


Product No. **BO-2907TB**



Description

Milton Laser Cut Metal Table Lamp With Drum Shade
Durable Metal Construction
Hardback Fabric Shade
Ships in One Carton
Laser Cut Design Lamp
Three Way Mechanism
Three Way Mechanism
29" Height Metal Table Lamp in Dark Bronze Finish

Technical Specifications

UPC	020193067284	Shade Top1	16.00
Wattage	150W	Shade Bottom1	16.00
CRI	N/A	Shade Side	11.00
Lumen	N/A	Carton 1 Dimensions	18.00 x 17.00 x 17.00
Switch Type	3 Way Rotary	Carton 2 Dimensions	0.00 x 0.00 x 17.00
Bulb Base	E26	Package Dimensions	L: 17.00 W: 17.00 H: 18.00
Number of Lights	1		
Color	Dark Bronze		
Base Color	Dark Bronze		