



XOCEILING_S
KITCHEN ISLAND CEILING VENT

HOW BEAUTIFUL KITCHENS BREATHE



XOCEILING_S

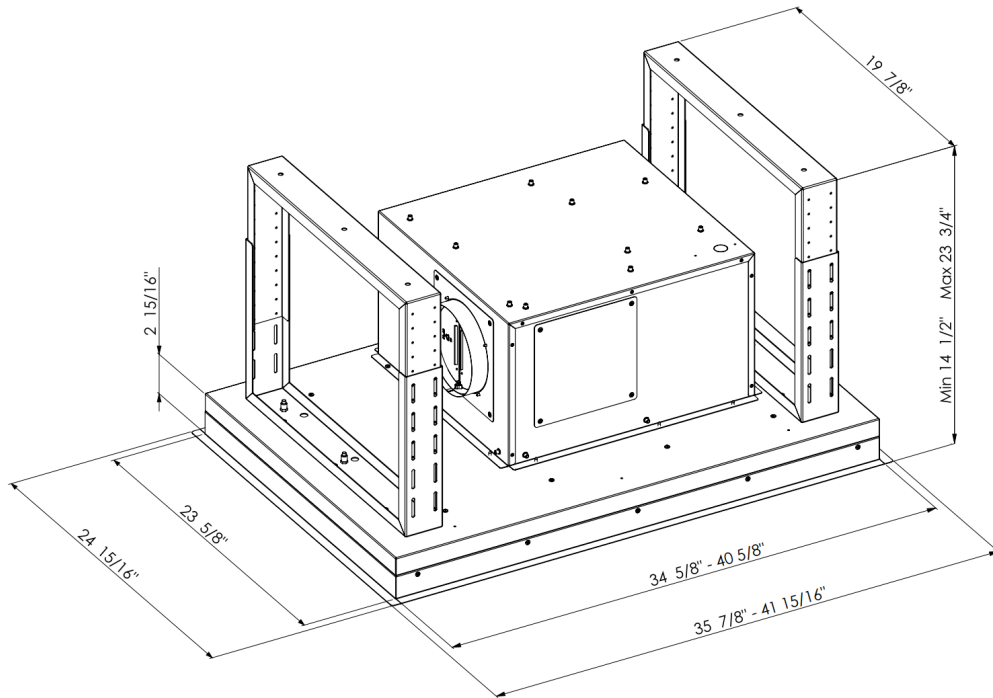
- Quiet, efficient Peripheral Aspiration.
- Brightly Illuminated LEDs
- ADA Compatible remote control
- CCC Controls 600 or 395 CFM max
- Made in Italy

XO CEILING VENTS

The XO Ceiling Vent hood discreetly mounts into the ceiling above your cooking surface for power and an unobstructed view. Your kitchen will stay clean and smoke free with the Perimeter Aspiration System and multiple blower options, and the tri-level LED lighting ensures a good-looking glow. Available in 36" and 42".

WORLD CLASS SERVICE | COMPREHENSIVE WARRANTIES

OUR LASTING COMMITMENT TO YOU



FEATURES

FINISH

Stainless Steel

FEATURES

- CCC Controls 600 or 395 CFM max
- Provides unobstructed view above cooking area.
- Quiet, efficient Peripheral Aspiration.
- Dishwasher safe mesh filters
- LED Light Bars
- ADA Compatible remote control
- Stainless Steel
- Made in Italy

SPECIFICATIONS

ELECTRICAL 120V / 60 Hz / 4A

DIMENSIONS

34-5/8" W x 23-5/8" D x 23.75" H
 40-5/8 W x 23-5/8 D x 23.75 H