

Café™ ENERGY STAR® Single Dishwasher Drawer



CDD220P2WS1 / CDD220P3WD1 / CDD220P4WW2



ALSO AVAILABLE IN



CDD220P3WD1
Matte Black with
Brushed Stainless handle



CDD220P4WW2
Matte White with
Brushed Bronze handle

CDD220P2WS1
Stainless Steel with
Brushed Stainless handle



FEATURES & BENEFITS

Match your personal style – Customize this stylish dishwasher with any combination of premium finishes and hardware options for a unique look that matches your personal style.

Two single drawers – With one drawer on either side of the sink, this single-drawer dishwasher offers a beautiful aesthetic and gives owners the ability to experience the appeal of its ergonomic design with modern functionality.

Accommodates large dish loads – Easily accommodate 7 place settings and 13-inch pots in this large-capacity dishwasher that offers a place for everything in your kitchen or secondary space.

Easy to load & unload – The single-drawer dishwasher is installed at counter height, so owners don't have to bend over to unload or load, making it the perfect solution for those who seek out ease and accessibility but don't want to sacrifice style.

Built-in WiFi Powered by SmarthQ™ – Built-In WiFi and the SmarthQ™ app make it easy to connect, control and monitor your smart dishwasher from anywhere. You can conveniently access the latest features as well, including remote status and notifications.

6 wash cycles – Go beyond the normal wash and dry with six cycles and Fast Wash, Sanitize, and Ultra Dry options in this single-drawer dishwasher.

45 dBA single drawer – Keep your kitchen space peaceful through every cycle thanks to this 45-decibel dishwasher.

Knock to Pause – Stop your dishwasher mid cycle with a convenient Knock to Pause feature. Then, simply press Start/Play to resume.

Water Leak Sensor – The Water Leak Sensor prevents potential overflows by canceling the wash cycle before a flood can occur and alerting you with blinking lights and a tone.

Delay start – This delay-start dishwasher lets you set it to start while you're working, sleeping or out of the house.

Adjustable racks – Load with flexibility and maximize space thanks to adjustable racks that can be adjusted to accommodate any item.

ADA compliant – Easily install this accessible dishwasher at an American Disabilities Act (ADA) compliant height for loading and unloading.

ENERGY STAR® qualified – Wash every load with a clean conscience thanks to this efficient, ENERGY STAR® dishwasher which saves energy without sacrificing features or functionality.

FEATURES

Style	Built-In Top Control
Tub and Door Liner	Gray Plastic
Tub Type	Single Drawer
Control Type	3 Touchpads Cap Touch Controls Top Controls
Dishwasher Control Features	Delay and Lock Capabilities Audible End-of-Cycle Signal WiFi; Non Sanitization Temp Error Last Cycle Memory
Wash System Features	Automatic HotStart Automatic Temperature Control Single Pump Water and Prime Regulator for Efficiency
Wash Arms	1
Water Filtration System	100% Filtration
Dispenser	Rinse Aid
Number of Cycles	6
Dishwasher Cycles	China Express Normal Plus Pots Rinse
Dishwasher Options	Ultra Dry; Fast Dry; Sanitize; Lock Controls; Delay
Rack Features	2 Long and 2 Short Articulating Plastic Utility Shelves with StemSafe Fold-Down and Adjustable Tines 2-piece Silverware Basket Ball-Tipped Tines Full Extension Slides
Racking Material	Nylon
Racking System	1 Rack with 4 Cup Shelves
Rack Color	Grigio
Number of Place Settings	7
Drawer	2 Utility Shelves with StemSafe Fold Down Tines Silverware Basket with Cell Covers Fits 13-Inch Plates and Pots
Additional Protection	Active Flood Protect
Dishwasher Drying Features	Fan Assist Dry
Latch	Pull with Handle; Interior Lid Closes During Cycle
Showroom Power Mode	Yes
WiFi Connect	Built-in

ECONOMICAL/QUIET

Quiet Package	45 dBA Single
Motor Type	Variable Speed, BLDC
Outer Wrap	Full Steel Enclosure
Door Insulation	Yes

Café™ ENERGY STAR® Single Dishwasher Drawer



CDD220P2WS1 / CDD220P3WD1 / CDD220P4WW2

WEIGHTS & DIMENSIONS

Cabinet Width	24 in
Approximate Shipping Weight	50 lbs
Net Weight	
Overall Height	17-13/16 in
Overall Depth	25-3/16 in
Overall Depth with Handle	25-3/16 in
Overall Width	23-9/16 in

APPEARANCE

Color Appearance	Stainless Steel, Matte White and Matte Black
Door Style	1 Drawer
Installation	Built-Up Floor Capable Flush Cabinet Installation Side Installation or Top Installation Included
Door Appearance	1 Drawer
Handle	Café™
Handle Color	Brushed Stainless, Bronze
Handle Design	Customizable
Control Panel Color	Grey

TECHNICAL DETAILS

Calrod Heater Watts	503
Power Connection	Power Cord - Included
Volts/Hertz/Amps	120/60/4.7 amps

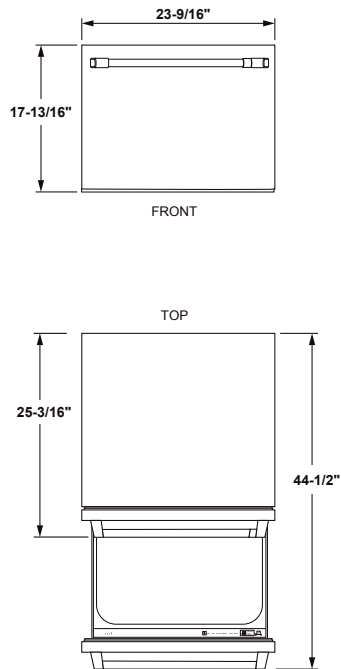
ACCESSORIES

Optional Handle Kit	CXADTH1PMBZ – Brushed Bronze CXADTH1PMSS – Brushed Stainless CXADTH1PMBT – Brushed Black CXADTH1PMCU – Brushed Copper CXADTH1PMCG – Brushed Brass CXADTH1PMFB – Flat Black
Drain Hose	WD24X30798

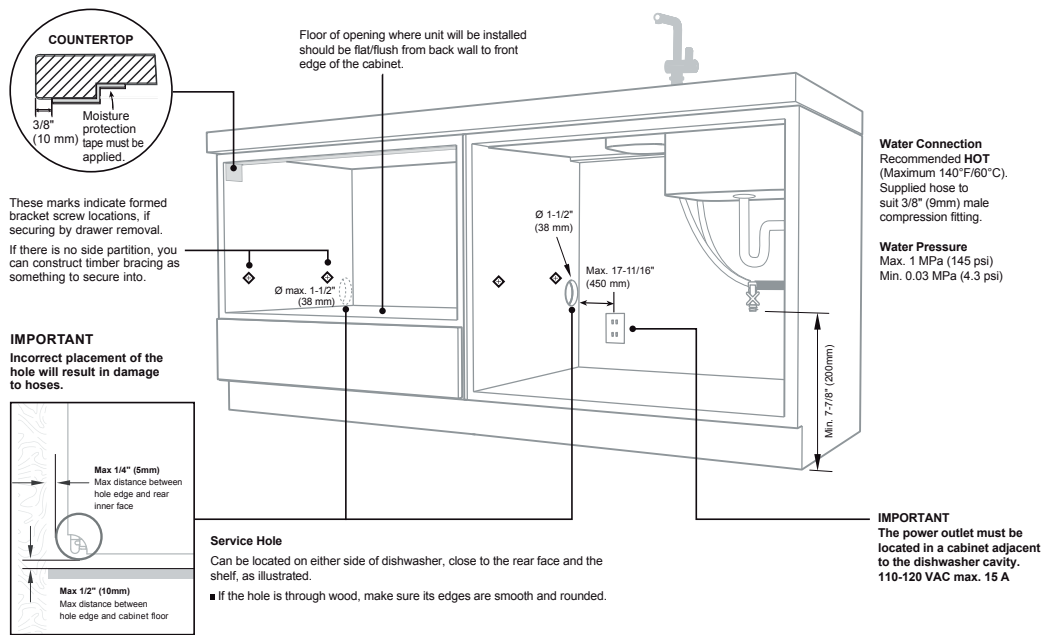
WARRANTY

Parts Warranty	Limited 1-Year Entire Appliance
Labor Warranty	Limited 1-Year Entire Appliance
Warranty Notes	See Written Warranty for Full Details

DIMENSIONS



INSTALLATION PREPARATION



ADDITIONAL ACCESSORIES



Brushed Bronze
CXADTH1PMBZ



Brushed Stainless
CXADTH1PMSS



Brushed Black
CXADTH1PMBT



Brushed Copper
CXADTH1PMCU



Brushed Brass
CXADTH1PMCG



Flat Black
CXADTH1PMFB