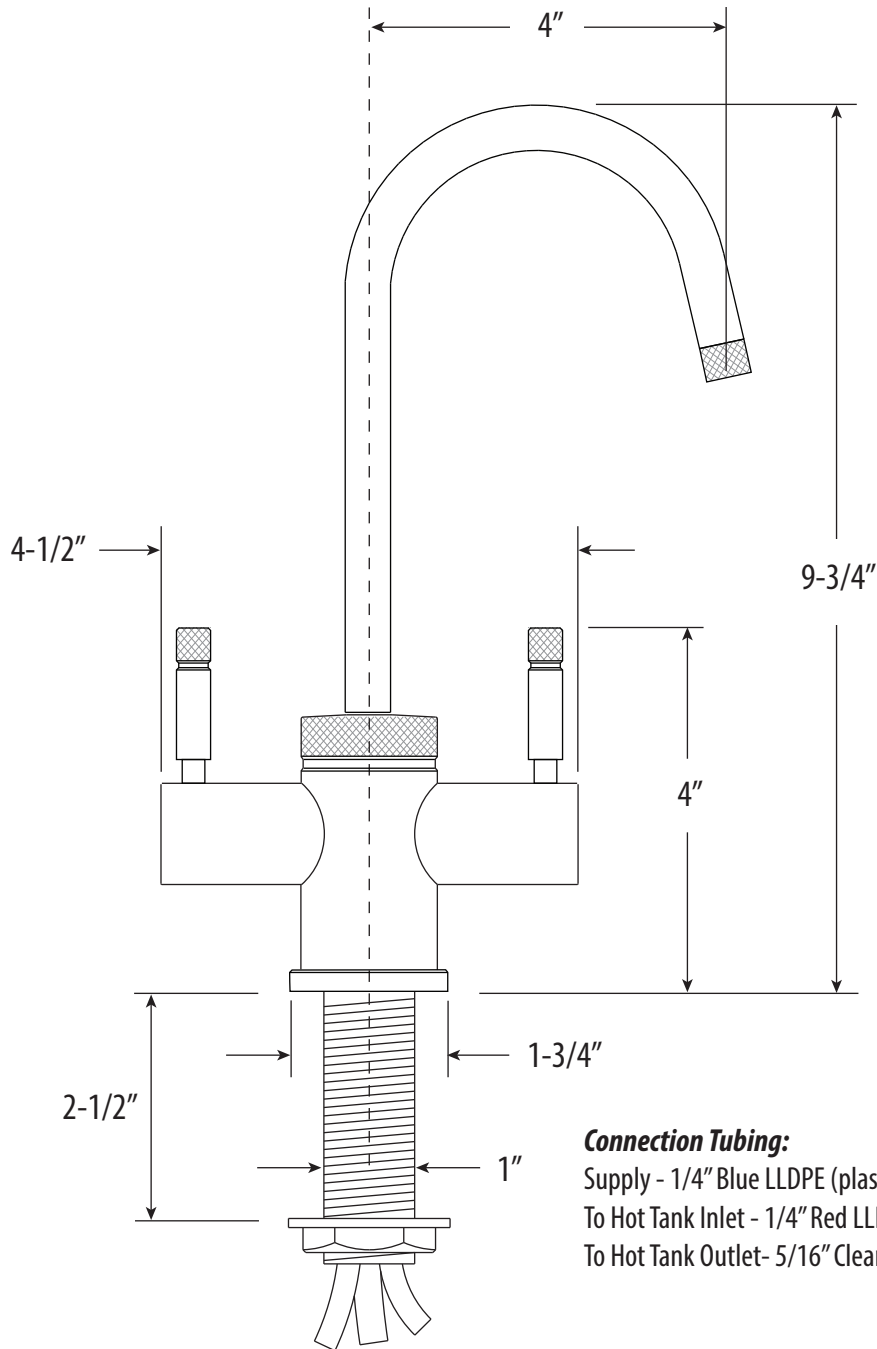


INDUSTRIAL HOT AND COLD FILTRATION FAUCET / C-SPOUT

I450HC

- MAX COUNTER THICKNESS 2-1/2"
- INSTALL HOLE SIZE ADAPTABLE UP TO 1-3/8"



DIMENSIONS MAY VARY AND ARE SUBJECT TO CHANGE. NO RESPONSIBILITY IS ASSUMED FOR USE OF SUPERCEDED OR VOIDED DATA

