

INSTALLATION

NOTICE: Depending on the model, additional bezels may be included with this kit but not utilized.

- 1 Remove knobs (if installed) then remove existing bezels by extracting two screws from each bezel. Refer to the illustration below.
- 2 Remove new bezels from packaging and discard packaging material then install new bezels with existing screws.
- 3 Reinstall knobs. Using the chart as reference, identify the icon etched next to each bezel to determine the correct placement. For dual fuel ranges, refer to the illustration below for oven selector bezels placement.
- 4 If any of the knobs "stick" when pressed, remove the knob and slightly loosen the two bezel screws. Refer to the illustration below. Once the proper alignment has been achieved, tighten screws and reinstall knob.

⚠ CAUTION

Do not place bezels in dishwasher. Do not soak or use abrasive cleaners. To clean, wipe with a damp cloth and mild detergent and water; rinse and dry.

Icon	Text On Knob
	Hi-Low and Simmer Hi-Low
	100°F to 450°F
	Off and Hi
	Off and Hi



Hi-Low and Simmer Hi-Low



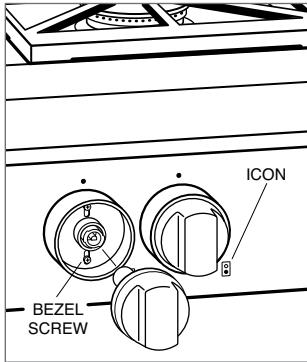
100°F to 450°F



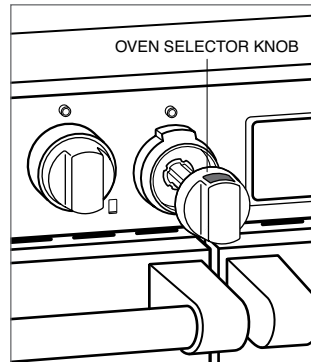
Off and Hi



Off and Hi



Bezel placement.



Oven selector knob.
(dual fuel range only)

