



# Lynx 30" Universal Cart

L30(PS)R, L30AG, and LSMK

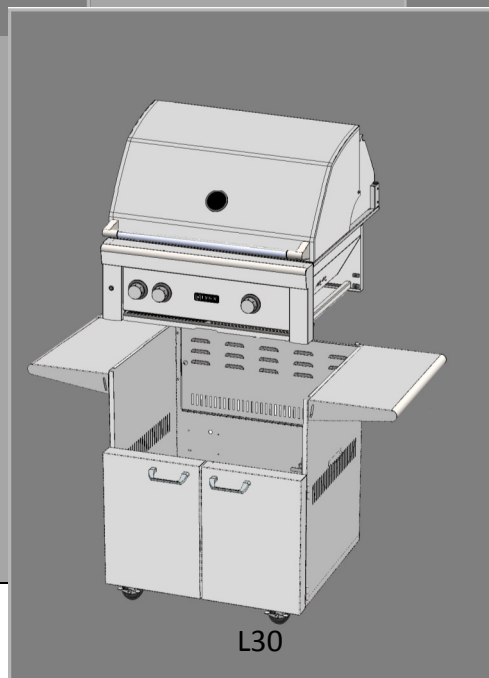
The following instructions are provided to help you install the Asado, 30" Grill, or Sonoma Smoker on the L30CART.

**IMPORTANT:** Be sure the L30CART's casters are locked to avoid movement when installing the grill.

Warning: the L30AG is approximately 208lbs., the LSMK is approximately 135 lbs., and the L30PSR is approximately 241 lbs. you will require assistance to lift and install any of these items onto the cart.

Tools required: Rags, newspaper (to place any items on), Philips head screwdriver, and gloves.

This cart is intended for use with the Lynx 30" Professional Grill, 30" Asado Grill, and the 30" Sonoma Smoker only.

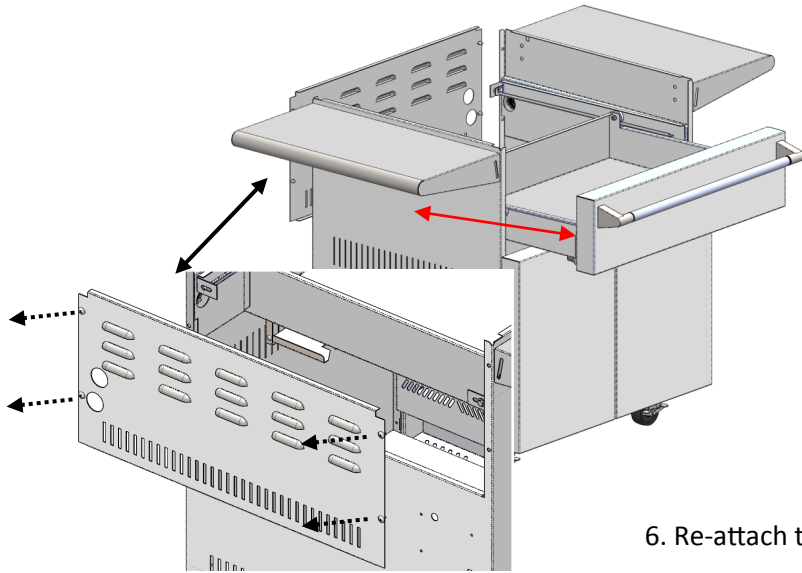


Lynx Grills, Inc.  
7300 Flores St.  
Downey, CA 90242  
[www.lynxgrills.com](http://www.lynxgrills.com)  
Ph. 562-299-6900

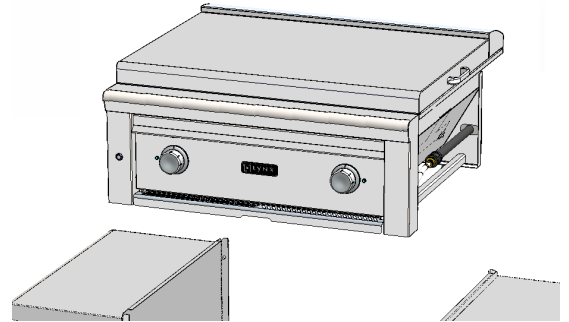
Lynx Customer Care  
Ph.: 888-289-5969  
Fax: 562-299-6978  
[Service@lynxgrills.com](mailto:Service@lynxgrills.com)

# L30AG

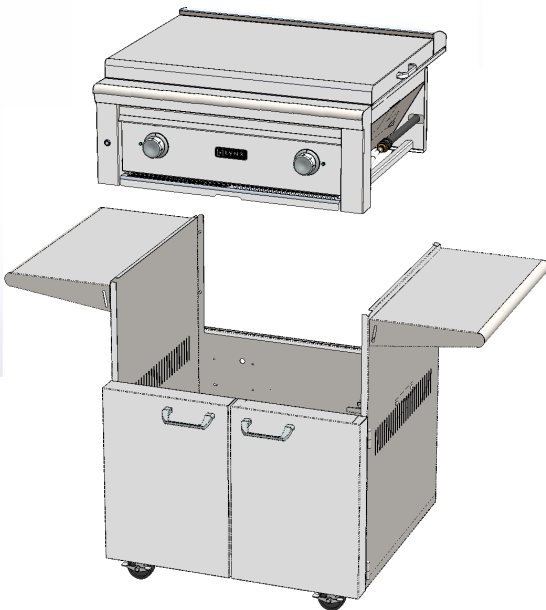
1. Remove the four screws on the back panel.
2. Slide out drawer and remove completely.
3. Next remove the screws which attach the rails and remove the rails to begin installation.



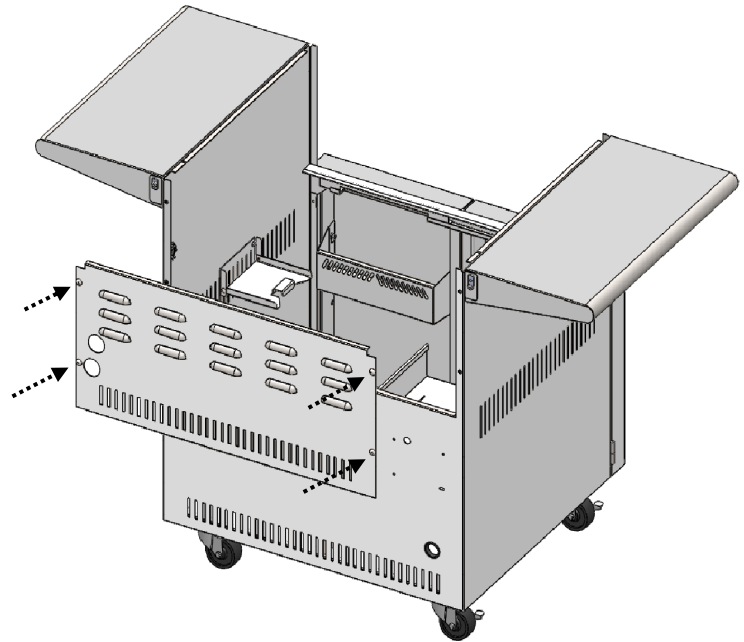
4. Carefully lift the Asado Grill and position it above the cart.



5. Place the Asado Grill inside the cart frame.



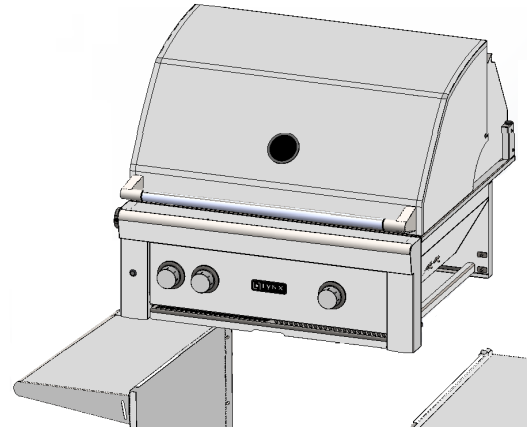
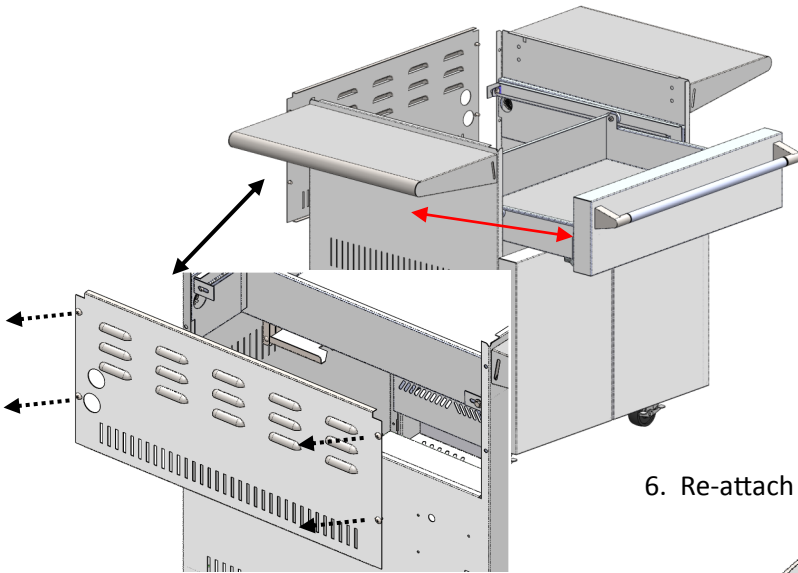
6. Re-attach the rear panel with the previously removed screws.



# L30PSR

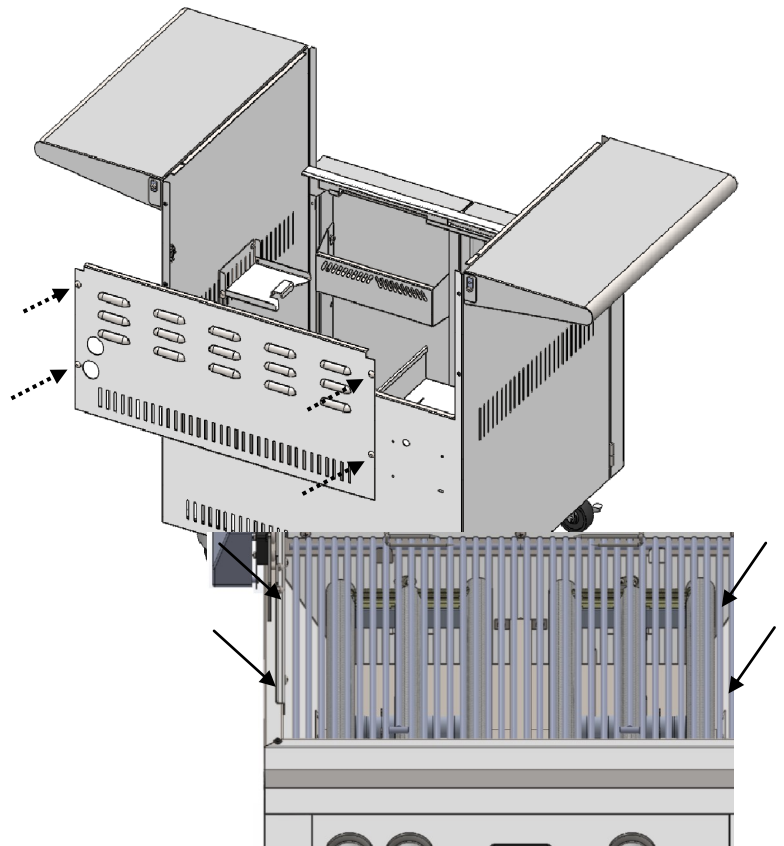
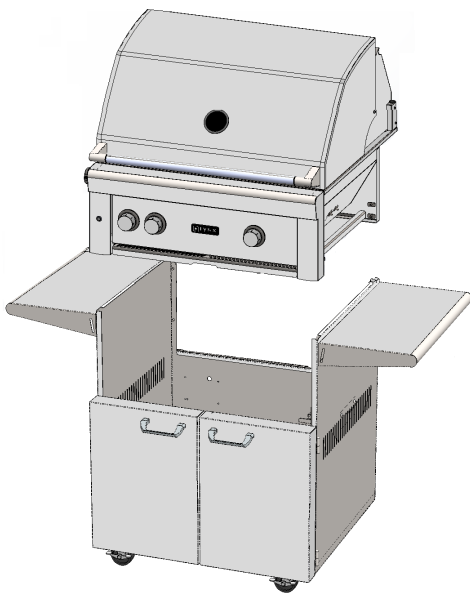
1. Remove the four screws on the back panel.
2. Slide out drawer and remove completely.
3. Next remove the screws which attach the rails and remove the rails to begin installation.

4. Carefully lift the 30" Grill and position it above the cart.



6. Re-attach the rear panel with the previously removed screws.

5. Place the grill inside the cart frame.

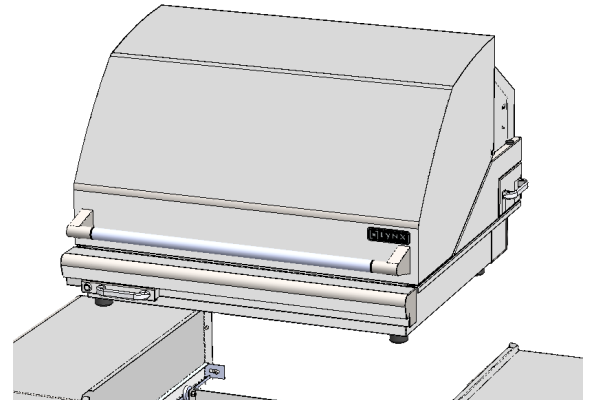
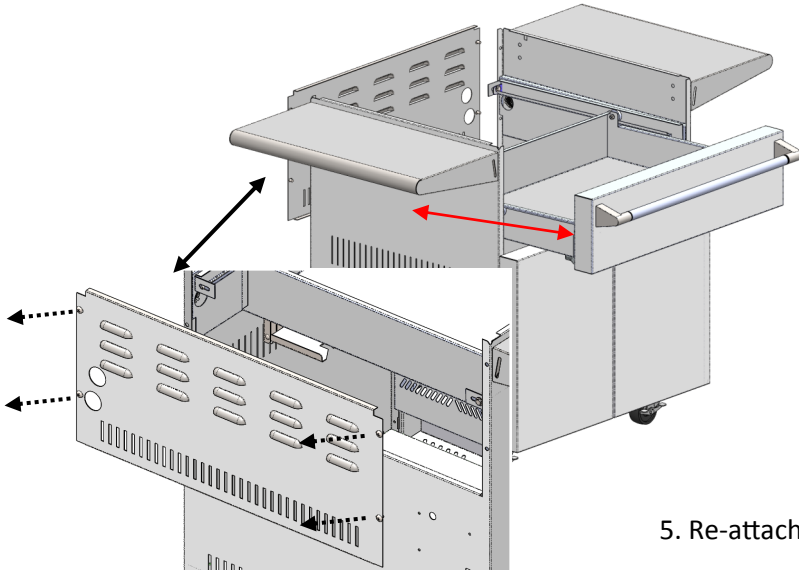


Once the grill has been placed inside the cart. You will want to remove the following screws and replace them with the supplied screws.

# LSMK

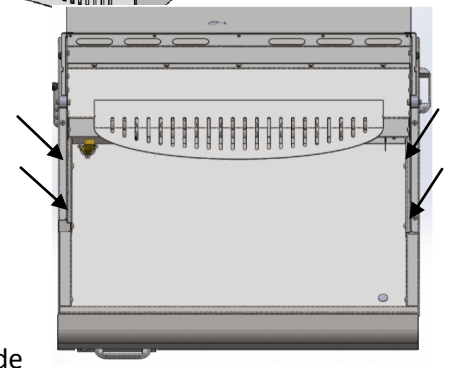
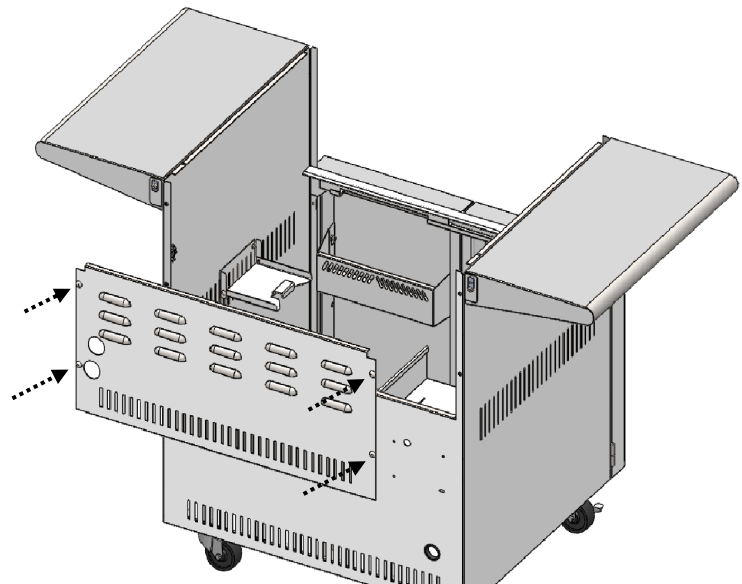
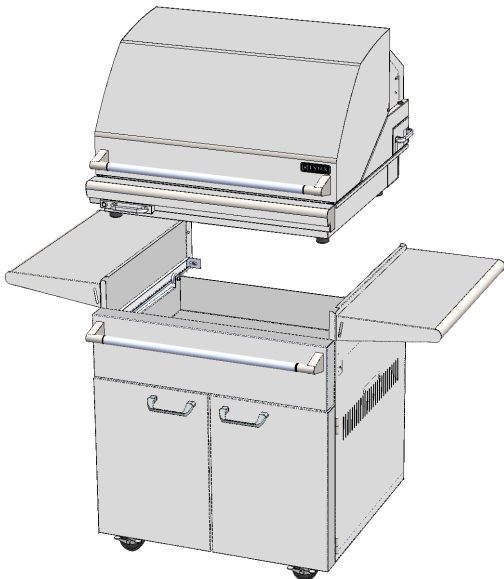
1. Remove the four screws on the back panel.
2. Slide out drawer or remove completely to begin installation.

3. Carefully lift the Sonoma Smoker and position it above the cart.



5. Re-attach the rear panel with the previously removed screws.

4. Place the smoker inside the cart frame.



Once the grill has been placed inside the cart. You will want to remove the following screws and replace them with the supplied screws.