

**INSTALLATION INSTRUCTIONS  
USER GUIDE**

**INSTRUCTIONS D'INSTALLATION  
GUIDE D'UTILISATION**

**ActiveSmart™ refrigerator  
Ice & Water and Non-Ice & Water**

**Réfrigérateur ActiveSmart™  
Ice & Water et autres**

RF135B, E522B, RF170W, RF170A, RF201A models  
Modèles RF135B, E522B, RF170W, RF170A, RF201A

**US CA**

***Fisher&Paykel***

---

**English**

---

**Page 1 - 52**

---

**Français**

---

**Page 55 - 106**

---

---

Introduction	3
Safety and warnings	4
Installation instructions	7
Moving or storing your appliance	21
Door conversion	22
Soft closing refrigerator door feature	22
ActiveSmart™ operating instructions	23
All about the external display (Ice & Water models only)	27
Using your water dispenser (Ice & Water models only)	28
Water filter (Ice & Water models only)	29
Using your ice maker (Ice & Water models only)	31
ActiveSmart™ special features (all models)	33
Cleaning and caring for your refrigerator	36
Storing food in your refrigerator	40
Storing food in your freezer	42
ActiveSmart™ user warnings and sounds	44
Troubleshooting	45
Limited warranty	50
Filter performance data sheet	107

---

## **IMPORTANT!**

### **SAVE THESE INSTRUCTIONS**

The models shown in this user guide may not be available in all markets and are subject to change at any time. For current details about model and specification availability in your country, please go to our website [www.fisherpaykel.com](http://www.fisherpaykel.com) or contact your local Fisher & Paykel dealer.

Note that the word 'refrigerator', throughout this user guide, refers to the combination of refrigerator/freezer products.

## **Registration**

Register your product with us so we can provide you with the best service possible.

To register your product visit our website:  
[www.fisherpaykel.com](http://www.fisherpaykel.com)

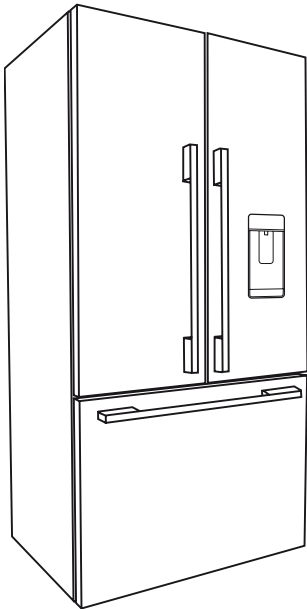


Thank you for buying a Fisher & Paykel ActiveSmart™ refrigerator.

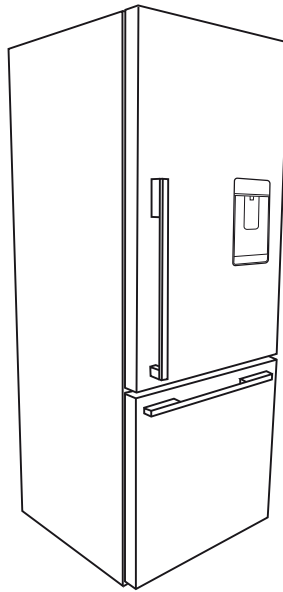
At Fisher & Paykel we are very proud of this refrigerator. This refrigerator combines size and storage space with the latest features and functions.

Thousands of hours of food care research and refrigeration experience has been programmed into your refrigerator to give you the best possible performance.

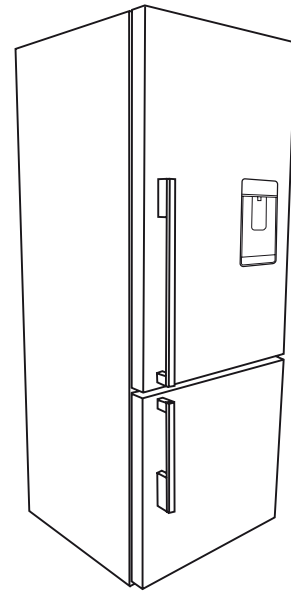
We hope you enjoy your new refrigerator.



Refrigerator French door and freezer drawer



Refrigerator door and freezer drawer



Refrigerator door and freezer door

Note: non Ice & Water models do not have an external water dispenser.

## SAFETY AND WARNINGS

 <b>WARNING!</b>	
	<p><b>Electric Shock Hazard</b> Read and follow the safety and warnings outlined in this user guide before operating this appliance. Failure to do so can result in death, electric shock, fire or injury to persons.</p>

Use this appliance only for its intended purpose as described in this user guide.

## IMPORTANT SAFETY INSTRUCTIONS

### **WARNING!**

When using this appliance always exercise basic safety precautions including the following:

#### **Danger**

- This appliance is not intended for use by persons (including children) with reduced physical, sensory or mental capabilities, or lack of experience and knowledge, unless they have been given supervision or instruction concerning use of the appliance by a person responsible for their safety.
- Young children should be supervised to ensure they do not play with the appliance.
- Refer to the stability bracket and leaflet supplied to avoid hazard due to instability of the appliance.
- The manufacturer's installation instructions for product and cabinetry ventilation must be followed when installing the appliance.
- Keep ventilation openings, in the appliance enclosure or in the built-in structure, clear of obstruction.
- Do not use mechanical devices or other means to accelerate the defrosting process.
- Do not damage the refrigerant circuit.
- In case of damage to the refrigerant circuit, ventilate the area by opening all windows. Do not operate electrical equipment or any other equipment that may produce arcs, sparks or flames in the area. Contact your Fisher & Paykel Authorized Service Agent immediately to arrange for the appliance to be repaired.

#### **Disposal**

- Extreme care must be taken when disposing your old appliance to avoid hazards:
  - The refrigerant gas must be safely removed
  - The doors should be removed and the shelves left in place so that children may not easily climb inside.
- Your Fisher & Paykel Authorized Service Agent will be able to give advice on environmentally friendly methods of disposing of your old refrigerator or freezer.

### **Cleaning**

Many commercially available cleaning products contain solvents which may attack plastic components of your refrigerator and cause them to crack. For further advice please refer to section 'Cleaning and caring for your refrigerator'.

### **Electrical**

- This appliance must be installed in accordance with the installation instructions before use.
- Never unplug your refrigerator by pulling on the power cord.
- Always grip the plug firmly and pull straight out from the outlet.
- Do not plug in any other appliance at the same power point as your refrigerator or use extension cords or double adapters.
- Repair or replace immediately all electric service cords that have become frayed or otherwise damaged. Do not use a cord that shows cracks or abrasion along its length or at either the plug or appliance end.
- If the power supply cord is damaged, it must only be replaced by your Fisher & Paykel Authorized Service Agent because special purpose tools are required.
- When moving your appliance away from the wall, be careful not to roll over or damage the power cord.
- Do not use electrical appliances inside the food storage compartments of the appliance.
- Do not remove the rear compartment cover. This can only be removed by Fisher & Paykel Authorized Service Agents.

### **IMPORTANT!**

Your refrigerator is designed to operate for many years without the need for service checks. However, if your refrigerator is malfunctioning, have it attended to by your Fisher & Paykel Authorized Service Agent as soon as possible. All electrical repairs must be carried out by an adequately trained service technician or qualified electrician.

### **Storing food and drinks**

- **DO NOT** store explosive substances such as aerosol cans with a flammable propellant in this appliance.
- Never store volatile or flammable materials in your refrigerator as they may explode.
- Never freeze liquids in glass containers. Liquid expands during freezing, which may cause the container to explode.
- Never freeze carbonated drinks. They may explode.
- Do not consume food if it is too cold. Food removed from the freezer compartment may be cold enough to cause damage when brought into contact with bare skin, eg frozen ice cubes.

## SAFETY AND WARNINGS

---

### **Power failure - food safety**

- **Do not refreeze frozen foods that have thawed completely. The food may be dangerous to eat. Follow the recommendations below if you discover food in your freezer has thawed:**
  - **Ice crystals still visible - food may be refrozen but should be stored for a shorter period than recommended.**
  - **Thawed but refrigerator cold - refreezing generally not recommended. Fruits and some cooked food can be refrozen but use as soon as possible. Meat, fish, poultry - use immediately or cook then refreeze. Vegetables - discard as they usually go limp and soggy.**
  - **Thawed and warmer than 41°F (5°C) - discard all food.**

**SAVE THESE INSTRUCTIONS**

Please follow the installation steps below to ensure your appliance operates correctly.

## 1. Power

- The appliance must be installed so the plug is accessible.
- To ensure that the appliance is not accidentally switched off, connect your refrigerator to its own power point. Do not plug in any other appliance at this power point or use extension cords and double adaptors, as the combined weight of both power cords can pull the double adaptor from a wall outlet socket.
- For power requirements, refer to the information on the serial plate located at the front bottom right-hand side of the refrigerator when the door is open.
- It is essential that the appliance is properly grounded (earthed).

## 2. Location

Your refrigerator should not be located in direct sunlight or next to any heat generating appliance such as a cooktop, oven or dishwasher.

## 3. Ice & Water (Ice & Water models only)

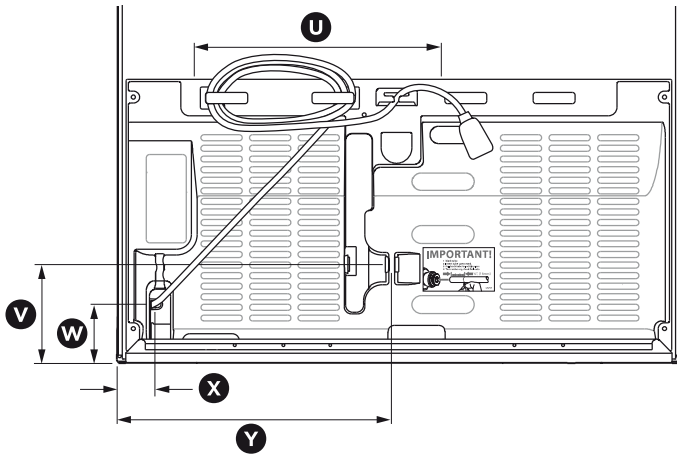
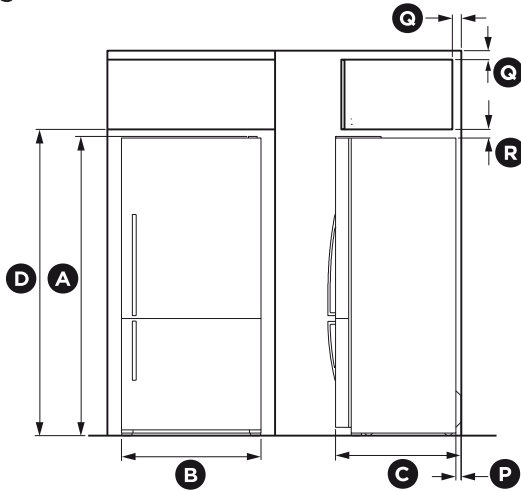
- Your Ice & Water refrigerator must be installed by an authorized plumber or Fisher & Paykel Authorized Service Agent as incorrect plumbing can lead to water leaks.
- Fisher & Paykel Appliances does not accept responsibility for damage (including water damage) caused by faulty installation or plumbing.

# INSTALLATION INSTRUCTIONS

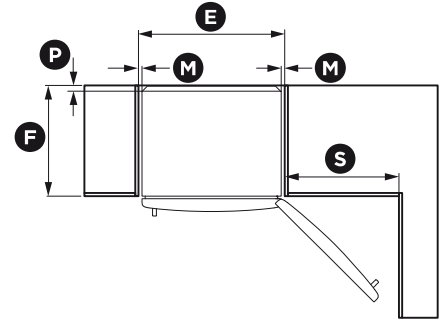
## Product and cabinetry dimensions

### 4. Freezer door models (RF135B, E522B) (Ice & Water and non Ice & Water)

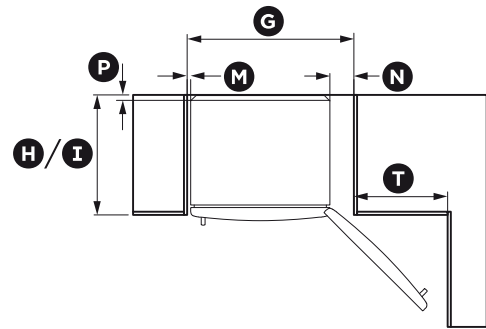
If integrating your refrigerator, please follow installation instructions provided with the integration kits.



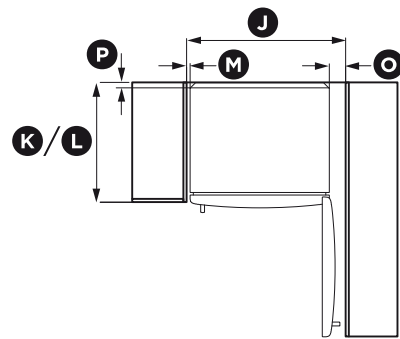
110VAC cord and water inlet dimensions



Flush with refrigerator chassis - full door rotation



Flush with refrigerator door - full door rotation



Flush with refrigerator door - 90° door rotation

PRODUCT DIMENSIONS	RF135B		E522B	
	inches	mm	inches	mm
(A) Overall height of flat door product	67 17/32	1715	67 17/32	1715
(A) Overall height of curved door product	-	-	66 15/16	1700
(A) Overall height of curved door with ice & water product	-	-	67 1/8	1705
(B) Overall width of product	25	635	31 3/32	790
(C) Overall depth of flat door product (excludes handle, includes rear compartment cover)	27 3/8	695	27 3/8	695
(C) Overall depth of curved door product (excludes handle, includes rear compartment cover)	-	-	28 5/32	715

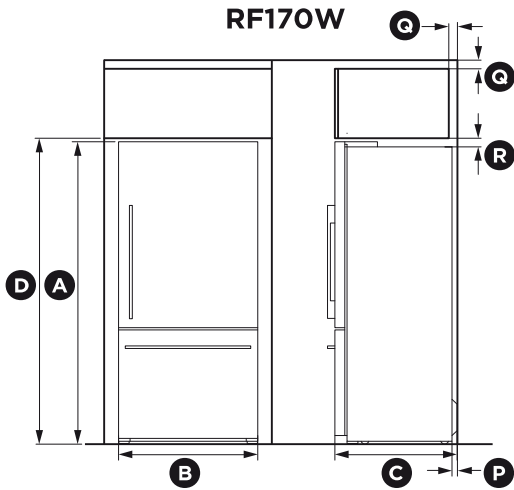
<b>CABINETY DIMENSIONS (including minimum clearances)</b>	<b>RF135B</b>		<b>E522B</b>	
	<b>inches</b>	<b>mm</b>	<b>inches</b>	<b>mm</b>
Ⓓ Inside height of cavity	68 <sup>5</sup> / <sub>16</sub>	1735	68 <sup>5</sup> / <sub>16</sub>	1735
<b>Flush with refrigerator chassis - full door rotation</b>				
Ⓔ Inside width	26 <sup>9</sup> / <sub>16</sub>	675	32 <sup>11</sup> / <sub>16</sub>	830
Ⓕ Inside depth	24 <sup>13</sup> / <sub>32</sub>	620	24 <sup>13</sup> / <sub>32</sub>	620
<b>Flush with refrigerator door - full door rotation</b>				
Ⓖ Inside width	31 <sup>3</sup> / <sub>32</sub>	790	37 <sup>7</sup> / <sub>32</sub>	945
Ⓗ Inside depth flush to curved door	-	-	26 <sup>25</sup> / <sub>32</sub>	680
Ⓘ Inside depth flush to flat door	27 <sup>3</sup> / <sub>8</sub>	695	27 <sup>3</sup> / <sub>8</sub>	695
<b>Flush with refrigerator door - 90° door rotation (for full drawer/shelf access, the doors need to be open past 90°)</b>				
Ⓙ Inside width	29 <sup>11</sup> / <sub>32</sub>	745	35 <sup>7</sup> / <sub>16</sub>	900
Ⓚ Inside depth flush to curved door	-	-	26 <sup>25</sup> / <sub>32</sub>	680
Ⓛ Inside depth flush to flat door	27 <sup>3</sup> / <sub>8</sub>	695	27 <sup>3</sup> / <sub>8</sub>	695
<b>MINIMUM CLEARANCES</b>				
Ⓜ Side clearance	2 <sup>5</sup> / <sub>32</sub>	20	2 <sup>5</sup> / <sub>32</sub>	20
Ⓝ Side clearance - hinge side flush with door - full rotation	5 <sup>5</sup> / <sub>16</sub>	135	5 <sup>5</sup> / <sub>16</sub>	135
Ⓞ Side clearance - hinge side flush with door - 90° rotation	3 <sup>17</sup> / <sub>32</sub>	90	3 <sup>17</sup> / <sub>32</sub>	90
Ⓟ Rear clearance (incl. rear compartment cover)	1 <sup>3</sup> / <sub>16</sub>	30	1 <sup>3</sup> / <sub>16</sub>	30
Ⓠ Vent - around top of cupboard (optional)	1 <sup>31</sup> / <sub>32</sub>	50	1 <sup>31</sup> / <sub>32</sub>	50
Ⓡ Top clearance - above refrigerator cabinet	1 <sup>31</sup> / <sub>32</sub>	50	1 <sup>31</sup> / <sub>32</sub>	50
Ⓢ Door clearance - hinge side flush with chassis - full rotation	20 <sup>15</sup> / <sub>32</sub>	520	25 <sup>13</sup> / <sub>32</sub>	645
Ⓣ Door clearance - hinge side flush with door - full rotation	15 <sup>15</sup> / <sub>16</sub>	405	20 <sup>7</sup> / <sub>8</sub>	530
<b>110VAC AND WATER INLET DIMENSIONS</b>				
Ⓤ Power cord	40	1016	40	1016
Ⓥ Water inlet to bottom	5	127	5	127
Ⓦ 110VAC to bottom	3	76	3	76
Ⓧ 110VAC to edge	2	51	2	51
Ⓨ Water inlet to edge	13	330	16	406

Note: these drawings and dimensions are also true for Ice & Water models.

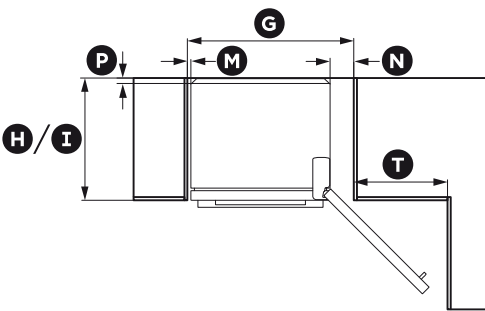
# INSTALLATION INSTRUCTIONS

## Product and cabinetry dimensions

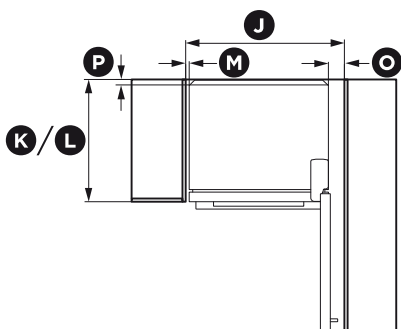
### 5. Freezer drawer models (RF170W, RF170A, RF201A) (Ice & Water and non Ice & Water)



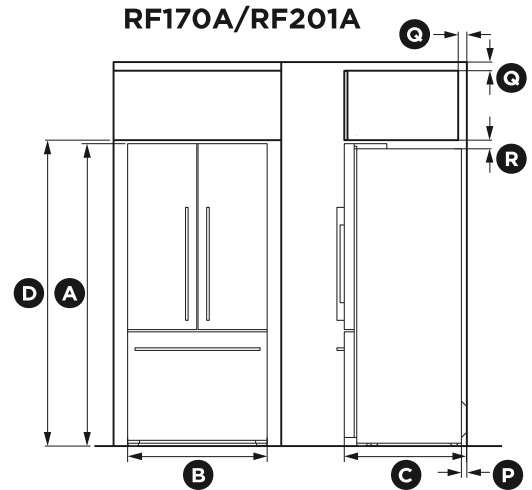
Flush with refrigerator chassis - full door rotation



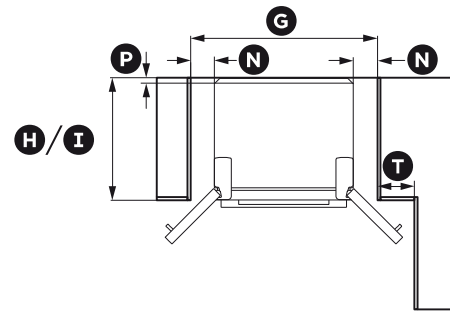
Flush with refrigerator door - full door rotation



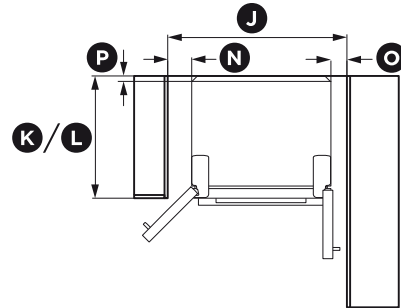
Flush with refrigerator door - 90° door rotation



Flush with refrigerator chassis - full door rotation



Flush with refrigerator door - full door rotation

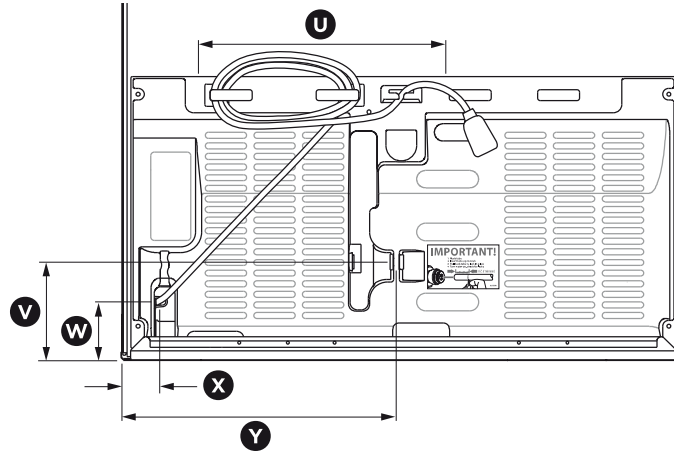


Flush with refrigerator door - 90° door rotation

<b>PRODUCT DIMENSIONS</b>	<b>RF170W</b>		<b>RF170A</b>		<b>RF201A</b>	
	inches	mm	inches	mm	inches	mm
Ⓐ Overall height of product	67 <sup>17</sup> / <sub>32</sub>	1715	67 <sup>17</sup> / <sub>32</sub>	1715	70 <sup>15</sup> / <sub>32</sub>	1790
Ⓑ Overall width of product	31 <sup>3</sup> / <sub>32</sub>	790	31 <sup>3</sup> / <sub>32</sub>	790	35 <sup>7</sup> / <sub>16</sub>	900
Ⓒ Overall depth of product (excludes handle, includes rear compartment cover)	27 <sup>3</sup> / <sub>8</sub>	695	27 <sup>3</sup> / <sub>8</sub>	695	27 <sup>3</sup> / <sub>8</sub>	695
<b>CABINETRY DIMENSIONS (including minimum air clearances)</b>						
Ⓓ Inside height of cavity	68 <sup>5</sup> / <sub>16</sub>	1735	68 <sup>5</sup> / <sub>16</sub>	1735	71 <sup>1</sup> / <sub>4</sub>	1810
<b>Flush with refrigerator chassis - full door rotation</b>						
Ⓔ Inside width	32 <sup>11</sup> / <sub>16</sub>	830	32 <sup>11</sup> / <sub>16</sub>	830	37	940
Ⓕ Inside depth	24 <sup>13</sup> / <sub>32</sub>	620	24 <sup>13</sup> / <sub>32</sub>	620	24 <sup>13</sup> / <sub>32</sub>	620
<b>Flush with refrigerator door - full door rotation</b>						
Ⓖ Inside width	37 <sup>7</sup> / <sub>32</sub>	945	41 <sup>23</sup> / <sub>32</sub>	1060	46 <sup>1</sup> / <sub>16</sub>	1170
Ⓗ Inside depth flush to curved door	-	-	-	-	-	-
Ⓘ Inside depth flush to flat door	27 <sup>3</sup> / <sub>8</sub>	695	27 <sup>3</sup> / <sub>8</sub>	695	27 <sup>3</sup> / <sub>8</sub>	695
<b>Flush with refrigerator door - 90° door rotation (for full drawer/shelf access, the doors need to be open past 90°)</b>						
Ⓙ Inside width	35 <sup>7</sup> / <sub>16</sub>	900	39 <sup>31</sup> / <sub>32</sub>	1015	44 <sup>9</sup> / <sub>32</sub>	1125
Ⓚ Inside depth flush to curved door	-	-	-	-	-	-
Ⓛ Inside depth flush to flat door	27 <sup>3</sup> / <sub>8</sub>	695	27 <sup>3</sup> / <sub>8</sub>	695	27 <sup>3</sup> / <sub>8</sub>	695
<b>MINIMUM CLEARANCES</b>						
Ⓜ Side clearance	2 <sup>5</sup> / <sub>32</sub>	20	2 <sup>5</sup> / <sub>32</sub>	20	2 <sup>5</sup> / <sub>32</sub>	20
Ⓝ Side clearance - hinge side flush with door - full rotation	5 <sup>5</sup> / <sub>16</sub>	135	5 <sup>5</sup> / <sub>16</sub>	135	5 <sup>5</sup> / <sub>16</sub>	135
Ⓞ Side clearance - hinge side flush with door - 90° rotation	3 <sup>17</sup> / <sub>32</sub>	90	3 <sup>17</sup> / <sub>32</sub>	90	3 <sup>17</sup> / <sub>32</sub>	90
Ⓟ Rear clearance (incl. rear compartment cover)	1 <sup>3</sup> / <sub>16</sub>	30	1 <sup>3</sup> / <sub>16</sub>	30	1 <sup>3</sup> / <sub>16</sub>	30
Ⓠ Vent - around top of cupboard (optional)	1 <sup>31</sup> / <sub>32</sub>	50	1 <sup>31</sup> / <sub>32</sub>	50	1 <sup>31</sup> / <sub>32</sub>	50
Ⓡ Top clearance - above refrigerator cabinet	1 <sup>31</sup> / <sub>32</sub>	50	1 <sup>31</sup> / <sub>32</sub>	50	1 <sup>31</sup> / <sub>32</sub>	50
Ⓢ Door clearance - hinge side flush with chassis - full rotation	25 <sup>13</sup> / <sub>32</sub>	645	12 <sup>25</sup> / <sub>32</sub>	325	14 <sup>3</sup> / <sub>8</sub>	365
Ⓣ Door clearance - hinge side flush with door - full rotation	20 <sup>7</sup> / <sub>8</sub>	530	8 <sup>9</sup> / <sub>32</sub>	210	9 <sup>27</sup> / <sub>32</sub>	250

Note: these drawings and dimensions are also true for Ice & Water models.

# INSTALLATION INSTRUCTIONS



110VAC cord and water inlet dimensions

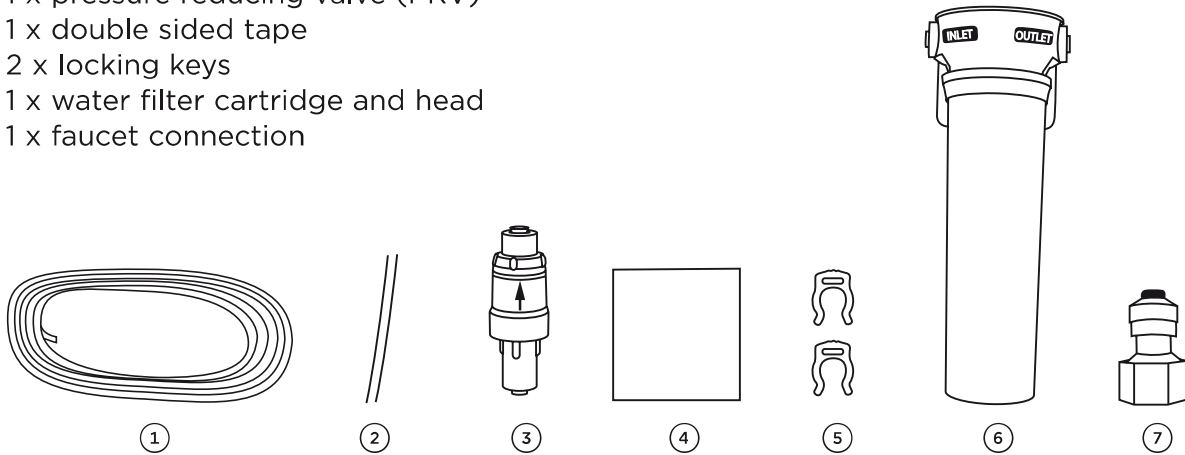
110VAC AND WATER INLET DIMENSIONS	RF170W		RF170A		RF201A	
	inches	mm	inches	mm	inches	mm
Ⓚ Power cord	40	1016	40	1016	40	1016
Ⓛ Water inlet to bottom	5	127	5	127	5	127
Ⓜ 110VAC to bottom	3	76	3	76	3	76
Ⓝ 110VAC to edge	2	51	2	51	2	51
Ⓨ Water inlet to edge	16	406	16	406	18	457

Note: these drawings and dimensions are also true for Ice & Water models.

## 6. Connecting water (Ice & Water models only)

### Contents of filter kit

- ① 13 ft (4 m) white ¼" (6 mm) tubing
- ② 1 x 8" (200 mm) blue tubing
- ③ 1 x pressure reducing valve (PRV)
- ④ 1 x double sided tape
- ⑤ 2 x locking keys
- ⑥ 1 x water filter cartridge and head
- ⑦ 1 x faucet connection



### IMPORTANT!

- It is imperative the pressure reducing valve (PRV) is fitted prior to the filter. If the PRV is not fitted to the connection line, the Ice & Water features may not function in some circumstances.
- The water connection to your Ice & Water refrigerator must be installed by an authorized plumber or Fisher & Paykel Authorized Service Agent.
- The water connection instructions below are intended only for the professional installer.
- The new tubings supplied with the refrigerator are to be used, old tubings from old Ice & Water connections should not be used.

### INSTALLATION PRECAUTIONS/WARNING

- DO NOT use with water that is microbiologically unsafe or of unknown quality without adequate disinfection before or after the system.
- WARNING - connect to potable water supply only.
- DO NOT install on line pressure above 119 psi (827 kPa) or below 22 psi (150 kPa).
- DO NOT use on hot water supply (100°F [38°C max.]).
- DO NOT cut any length of tube shorter than 8" (200 mm).
- DO NOT install near electrical wires or water pipes that will be in the path of drilling when selecting the location of filter system.
- DO NOT mount filter in such a position so that it will be struck by other items, such as wastebaskets, etc.
- DO NOT install the filter or any water tubing in direct sunlight as prolonged exposure to light can weaken plastic components.
- DO NOT install in a location that is susceptible to freezing temperatures as damage to the housing could occur.
- DO NOT screw filter to the refrigerator.
- DO NOT install the filter or any water tubing in high temperature areas eg in a ceiling cavity.
- AVOID contamination of pipes during installation.
- DO NOT use copper tubing. The plastic tubing supplied should always be used.
- DO NOT continuously dispense water for longer than 2 minutes.

# INSTALLATION INSTRUCTIONS

## Installation instructions:

- ① Ensure the refrigerator is NOT plugged into a power supply.
- ② Locate a cold water supply/feed only suitable for a water connection. Tee and tap fitting is not supplied.
- ③ Connect the 8" (200 mm) blue tubing to the outlet of the PRV (blue collet) and the inlet connection of the water filter cartridge as shown in Diagram 1. Gently pull on both ends to ensure it is locked.
- ④ Connect the white ¼" (6 mm) tubing to the outlet of the water filter cartridge as shown in Diagram 2. Gently pull to ensure it is locked.
- ⑤ Measure the required length of tubing to run from the PRV to the water connection point (no less than 10" (250 mm)).
- ⑥ Cut the tubing making sure the ends are square and clean.
- ⑦ Connect the tubing to the faucet connection and the base of the PRV (white collet) and then to the faucet as shown in Diagram 3. Please note that the faucet connection supplied should fit most installation situations.
- ⑧ Connect one locking key to each side of the water filter cartridge in between the cartridge and the locking collet as shown in Diagram 4.
- ⑨ To flush the water filter of any trapped air, harmless carbon fines and to also check for leaks, aim the end of the tubing into a bucket, turn isolating faucet on and run at least 10 qt (10 L) of water through. Once complete, turn isolating faucet off.
- ⑩ Locate desired position for water filter noting carefully the following points:
  - It is recommended to fit the water filter in a vertical orientation with the water filter head at the top. This will minimize water leakage when replacing cartridge.
  - Ensure the filter is in a convenient location to access every 6 months for replacement. We suggest that this location is beside the water filter supply faucet in a cupboard beside the refrigerator.
  - A minimum clearance of 2½" (64 mm) from the bottom of the filter cartridge is required to perform cartridge removal.
  - Do not screw water filter to refrigerator.

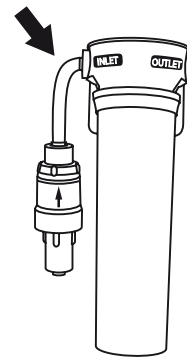


Diagram 1  
PRV connection

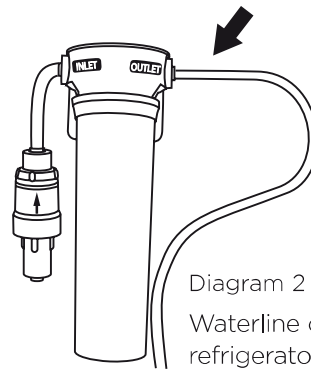


Diagram 2  
Waterline connection to  
refrigerator

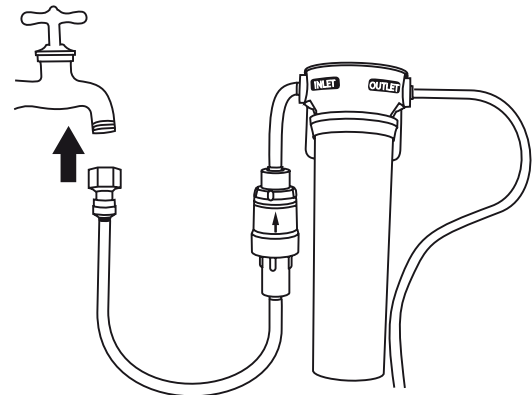


Diagram 3  
Faucet connection

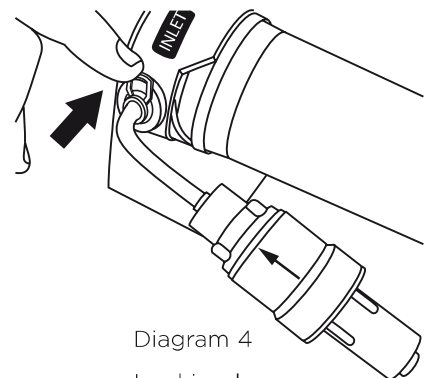


Diagram 4  
Locking key

- ⑪ Attach double sided foam to the back of the water filter head as shown in Diagram 5. Write the date to be replaced on the filter (date installed + 6 months). Remove the double sided foam backing and attach the filter to the desired position, reinforcing the filter with the screws provided as located in step 10 (refer to the previous page).
- ⑫ Run the ¼" (6 mm) tubing to the back of the refrigerator ensuring there is enough tubing to pull the refrigerator out for service.
- ⑬ Using the measurement guide located on the rear compartment cover as shown in Diagram 6. Mark out ⅝" (16 mm), on the end of the tubing as shown in Diagram 7.
- ⑭ Insert the tubing marked ⅝" (16 mm) into the water (solenoid) valve up to the marked line as shown in Diagram 8.
- ⑮ Pull gently on tubing to ensure it is locked in as shown in Diagram 9.
- ⑯ The completed installation should look like Diagram 11 on page 16.
- ⑰ Turn the isolating faucet on and check that all connections are dry and free of drips.
- ⑱ Coil water line tubing behind the refrigerator. Push your refrigerator into place being careful not to kink or squash the water line tube running into the water (solenoid) valve.
- ⑲ Read pages 16 - 17 carefully and then turn refrigerator on.

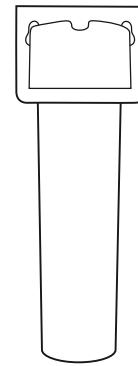


Diagram 5  
Double sided foam attachment

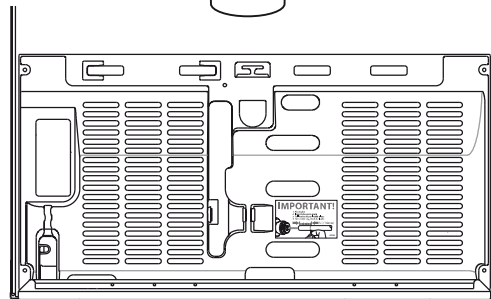


Diagram 6

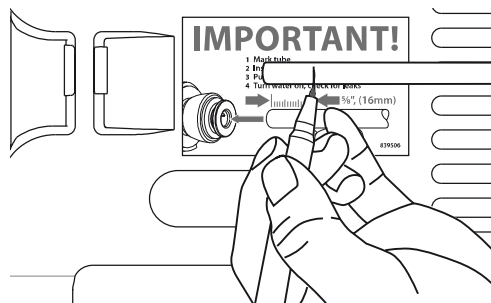


Diagram 7

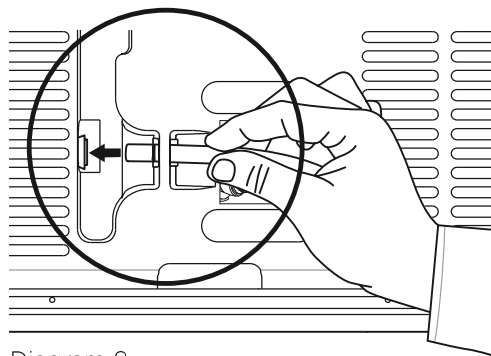


Diagram 8

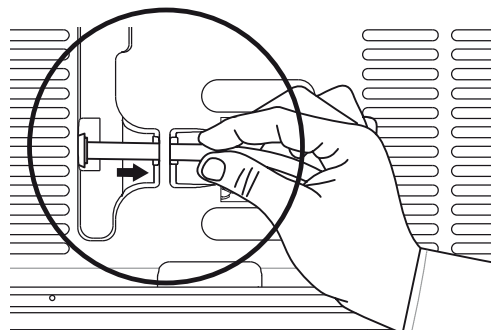


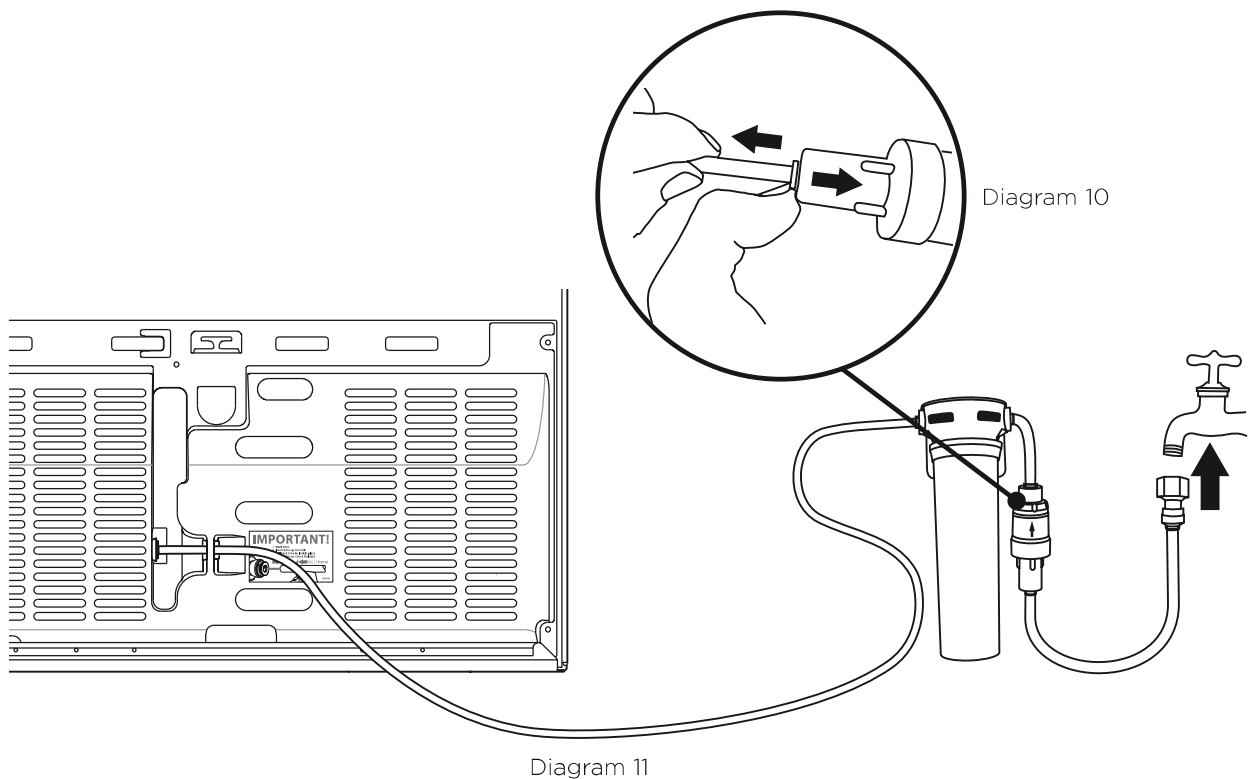
Diagram 9

Waterline connection to refrigerator

# INSTALLATION INSTRUCTIONS

## IMPORTANT!






- All connections must be checked for leaks.
- Ensure white  $\frac{1}{4}$ " (6 mm) tubing is routed away from sharp objects, sharp corners (beware of kinking the tube as this will stop water flow), clear of the refrigerator rear compartment and not in a location where it can be kinked or squashed.
- Ensure all push-fit connections are firmly pushed into place. The tube should push in  $\frac{5}{8}$ " (16 mm) before reaching the stop.
- If tubing is removed at any point, re-cut the end and re-insert. Tubing must be fully inserted to avoid leaks.
- To remove tube from connection points first turn off the isolating faucet. Gently push the dispensing pad a few times using a glass or container to remove the static line pressure. Push in the collet firmly while pulling back on the tubing at the same time, as shown in Diagram 10.



Connection to water supply

System tested and certified by NSF International against NSF/ANSI Standard 53 for the reduction of Asbestos, Atrazine, Benzene, Cyst, Carbofuran, Lead, Lindane, Mercury, P-Dichlorobenzene, Toxaphene & Turbidity; against Standard NSF/ANSI 42 for the reduction of Chlorine Taste and Odor and Nominal Particulate Class I to a capacity of 750 gallons (2,838 liters).

## Before you start using your Ice & Water refrigerator

- Check your refrigerator is switched on.
- Check that the isolation tap has been connected and turned on.
- Run through and discard the first 3 qt (3 liters) of water from your water dispenser, stopping intermittently to remove trapped air in the system. Failure to do this will result in excessive dripping from your dispenser.  
Note: there will be a 1 - 2 minute delay while the tank fills until water is dispensed.
- Turn the ice maker on by pressing the  button. The light above the  button will be illuminated when the ice maker is on.
- Press and hold the ,  and  buttons together for 4 seconds and then close the refrigerator compartment door to force an ice maker cycle. The ice tray will flip twice. Repeat to force another ice maker cycle. The ice tray will flip twice and spill water into the ice bin. Empty the water, dry and replace the bin. Note that the ice tray will not flip until the refrigerator compartment door is closed.
- Allow at least 2 hours for your refrigerator to cool before use.
- Please discard the first 3 harvests of ice (8 cubes per harvest).

You are now ready to enjoy ice and water from your ActiveSmart™ refrigerator.



Water dispenser

Please note that once installation is complete a few drips may appear out of the dispenser over the next few days as the remaining trapped air is cleared.

# INSTALLATION INSTRUCTIONS

## 7. Installation (all models)

Your Fisher & Paykel ActiveSmart™ refrigerator is fitted with front and rear rollers, designed for moving the product in the forwards and backwards direction.

Avoid moving the product in a sideways direction as this may damage the rollers or the floor covering/surface.

- Ⓐ Your refrigerator will arrive with the front feet wound up making moving the product into its final location a simple task.
- Ⓑ Roll the refrigerator into its final position making sure there is the correct air gap between the product and surrounding cabinetry. See minimum clearance in cabinetry dimensions table.
- Ⓒ Adjust the front feet down until the refrigerator is leaning backward with the front approximately ½" (10 mm) higher than the back. This will ensure a good door closing action.

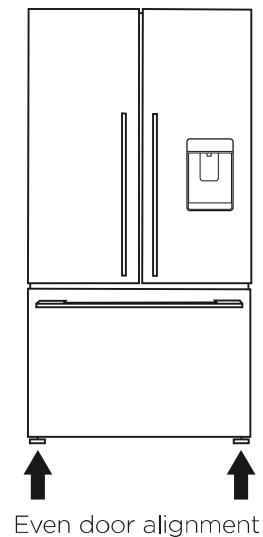
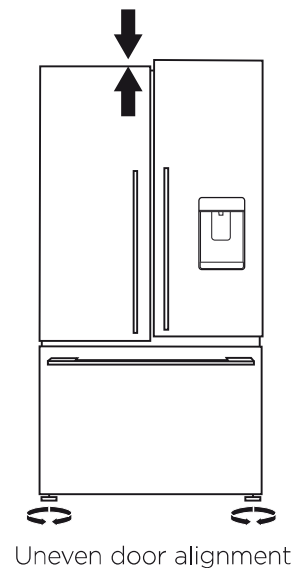
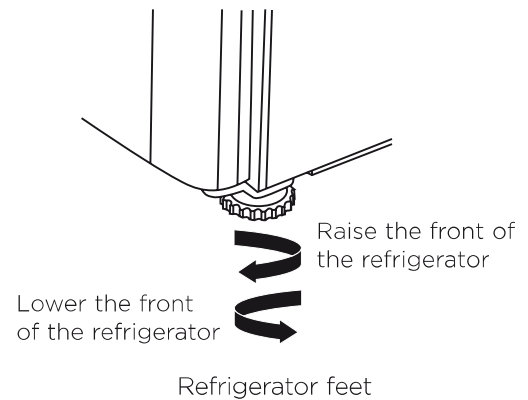
### (Non French door models only)

- Ⓓ Aligning your refrigerator with cabinetry.
  - Align the sides of the refrigerator with the cabinetry by adjusting the hinge side front foot.
  - Adjust the handle side foot until it touches the floor and takes a small amount of weight.
  - Once the refrigerator is in place and aligned with cupboards/alcove gently push on the front top and check if the product is rocking or stable.

## 8. Levelling of refrigerator doors

### (French door models only)

- For uneven surfaces, front feet can be used to align the 2 doors.
- If left hand door is too low, then unscrew the left hand foot to lift up the cabinet until the two doors top edges are aligned.
- If right hand door is too low, then adjust the right hand foot in the same way.

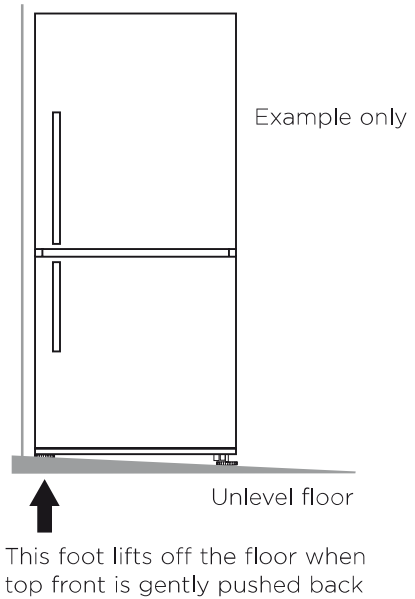


## 9. What to do if your product is unstable

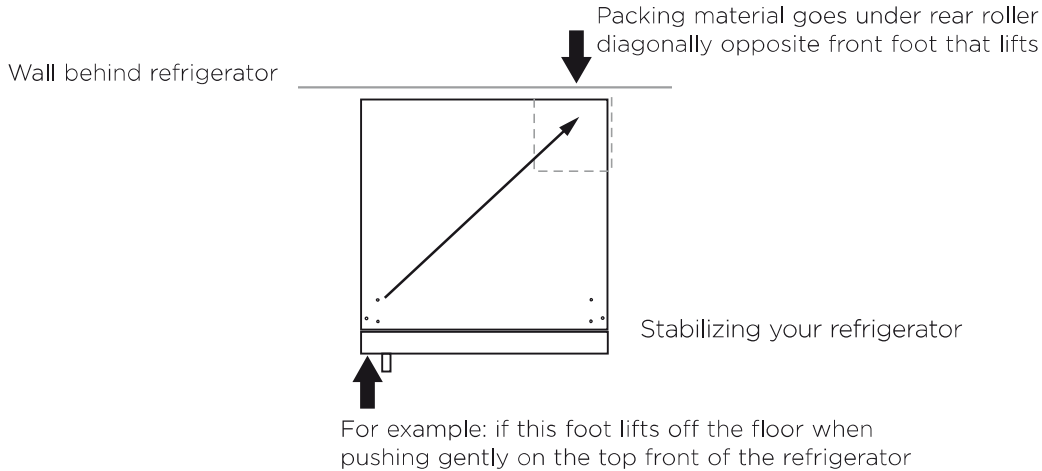
- Ⓐ Gently push the refrigerator back until the rear rollers contact the floor.
  - Measure the gap under the front foot, which has come off the floor.
  - Obtain some solid packing material (hardwood, plastic, etc) which fits firmly into the gap under the foot.

Note: do not use metallic materials that may corrode, stain and/or damage floor coverings.

- Ⓑ Wind both front feet up and roll the product out of position.
  - Place the packing material in the location diagonally opposite the front roller that lifts off the floor.
  - Make sure the packing material stays in place when the product is pushed back into position.
  - Ideally, the packing material is large enough to rest against the back wall so as to prevent it from moving when the cabinet is pushed into position.



Unstable refrigerator



- Ⓒ Roll the refrigerator back into position and adjust front feet as per step 7 Ⓒ. (Check alignment and door closing action are satisfactory).
  - Make small adjustments to front feet where necessary.
  - Check that the product is stable (all 4 feet are on the floor). If not, repeat 9 Ⓐ and 9 Ⓑ.

# INSTALLATION INSTRUCTIONS

## **Before placing food in the fresh food or freezer compartments**

- Remove all internal packaging. Ensure that all transit clips are removed from the refrigerator. These are small rubber stoppers located at the back of the shelves.
- Clean the inside of the appliance with a mix of warm water and a small amount of liquid detergent, and a soft cloth to remove manufacturing and transportation dust.
- Allow the refrigerator and freezer to run empty for 2 - 3 hours to allow each compartment to cool to the appropriate temperature.
- The appliance may have an odor on its initial operation, but this will go when the refrigerator and freezer have cooled sufficiently.

## **Energy efficiency**

### **For the most energy efficient use of your appliance:**

- Ensure your refrigerator has adequate ventilation.
- Do not cover your appliance with any material that will prevent air from flowing around the cabinet sides.
- Ensure you vacuum around the appliance to remove dust and possible pet hair accumulation. Also keep the appliance and its cabinetry free of dust by wiping down with a dry, lint-free cloth (refer to section 'Cleaning and caring for your refrigerator', 'Rear compartment cover').
- Allow good clearances in front of air ducts within the cabinet for maximum cold air distribution.
- Cool hot foods down before placing them in the appliance.
- Do not overfill the compartments.
- Keep door openings to a minimum.
- Select a temperature setting that isn't too cold.
- Check your door seals for leaks.

---

If your refrigerator is turned off for any reason, wait 10 minutes before turning it back on. This will allow the refrigeration system pressures to equalize before restarting.

## **Moving your refrigerator**

- Turn off the appliance and unplug from the power point. Remove all food.
- Turn the adjustable feet to the right as far as they will turn.
- Ease the refrigerator out of its position. Tuck the power cord away, tape the shelves in place and tape the doors closed. If the cabinet needs to be placed at an angle or laid down, carefully lay it on its side (the right hand side when viewed from the front).
- Relocate and install. If the appliance has been left on its side for any length of time, leave it standing upright as long as you can (a few hours) before turning on.

## **Storing your refrigerator**

- When storing your cleaned appliance, leave the doors open. This allows air to circulate and prevents the build up of bacteria and moulds.
- Before using again, clean well using a mixture of warm water and a small amount of liquid dishwashing detergent. Rinse with clean water and dry with a soft lint-free cloth.

## **Holiday time**

We recommend you leave your refrigerator operating while you are on holiday.

## DOOR CONVERSION

---

ActiveSmart™ refrigerator models with silver handles need to be ordered at the point of purchase either with left or right opening doors and can not be interchanged.

All other models need to have an appropriate conversion kit for that model refrigerator. The kit is available from your Fisher & Paykel Authorized Service Agent or Dealer. Full instructions are included in the conversion kit.

If you need to hinge your door on the opposite side we recommend that you call your local Fisher & Paykel Authorized Service Agent or Dealer to make this conversion.

This does not apply to French door models.

### **Soft closing refrigerator door feature (where fitted)**

The fresh food compartment of your refrigerator has been fitted with a soft closing door feature. You do not need to push the door fully closed as this feature will automatically close the door from a 45° (approximate) opening angle.

### **All soft close models**

You may notice a little more resistance when opening the door(s) to what you are used to.

The closing speed of the door(s) decelerates at the end of closing. This is to prevent the door(s) from slamming and to ensure your food items are cared for.

### **The speed of soft closing can depend on:**

- The load stored in the door shelves.
- The temperature of the fresh food compartment.
- The ambient temperature.

### **French door soft close models only**

The soft closing feature enables you to shut either the left or right door first.

You may notice that the closing speed of the left hand door is slightly faster than that of the right hand door. This is perfectly normal.

The freezer drawer is fitted with an additional mechanism to soft close within the last 2" (50 mm).

### **IMPORTANT!**

- **Keep hands and food items clear of the door opening when the gap is less than 45° (the soft close activation range).**
- **The soft closing feature is located inside the door cavity therefore it is not serviceable by the user. If a problem occurs, please contact your Fisher & Paykel Authorized Service Agent.**

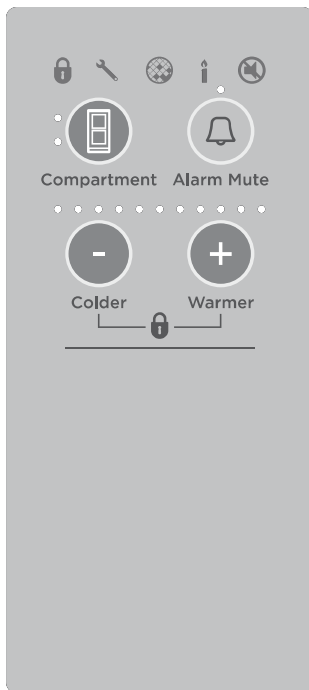
<b>Models:</b>	25" (635 mm) wide	RF135B
	31 1/8" (790 mm) wide	E522B, RF170W, RF170A
	35 3/8" (900 mm) wide	RF201A

The control panel enables you to view and modify all the features and options on your refrigerator.

**Temperature control (all models)**

- When the refrigerator is first turned on, the powerful cooling system will automatically cool both refrigerator and freezer compartments to their set temperatures. This will take between 2 - 3 hours.
- The two compartment temperatures are accurately and independently controlled and do not change with the temperature or humidity of the surroundings; whether summer or winter.
- If you wish to alter the temperature of either the fresh food compartment or freezer compartment, this can be easily done by using the internal control panel located at the front right of the refrigerator compartment.

**Internal control panel to adjust temperatures**



Internal control panel for Tasman models



Internal control panel for Designer and Elegance models





Internal control panel for Ice & Water models

## Fresh food compartment (all models)



- The fresh food compartment light will automatically be illuminated. The temperature for this compartment will show as a series of lights.
- The temperature may be altered by pressing the **-** or **+** buttons. One press on either of these buttons will reduce or increase the number of lights by one which indicates a small change in temperature.
- Fewer lights illuminated means a cooler temperature for the compartment selected.

## Freezer food compartment (all models)

- To adjust the freezer temperature press the  button once so the freezer compartment light is illuminated.
- The freezer temperature can be altered by pressing the **-** or **+** buttons.
- One press on either of these buttons will reduce or increase the number of lights illuminated which indicates a small change in temperature.
- Fewer lights illuminated means a cooler temperature for the compartment selected. Note: successively pressing the  button will automatically scroll between the compartments.
- When the door is re-opened the control panel will return automatically to the fresh food compartment setting.

## Alarm Mute (all models)

For times when you require the door to be open longer than normal eg when cleaning the interior of your refrigerator press the 'Alarm Mute' button to silence the door alarm for 20 minutes.

- To activate, press the  button once. The 'Alarm Mute' light will be illuminated when the function is activated.
- 'Alarm Mute' will deactivate after 20 minutes and the door alarms will return to normal.
- To deactivate 'Alarm Mute' manually, press the  button again. When 'Alarm Mute' is deactivated the light is off.

Note: when the fresh food or freezer compartment door is left open for long periods of time food quality and/or safety may be compromised.





## Door alarms (all models)

- If the fresh food compartment door is left open the alarm will beep after 90 seconds and if the freezer door is left open the alarm will beep after 60 seconds.
- While either door remains open, subsequent beeps will sound every 30 seconds for 5 minutes.
- A continuous alarm will sound if either of the doors have been left open for 5 minutes or longer and the interior compartment light(s) will turn off. The alarm will stop only when the door(s) is closed.

Note: if 'Alarm Mute' has been activated the door alarms will be silenced for 20 minutes. After 5 minutes of the doors being left open the compartment light will turn off however the normal door alarms will be suspended. The 'Alarm Mute' light will be illuminated to indicate that the appliance is in this mode.







### **Key Mute (all models)**

'Key Mute' allows you to silence all button presses.




- To activate 'Key Mute' and silence buttons, press and hold the  button for 4 seconds.
- The  icon on the internal control panel will be illuminated.
- The keys will be silenced when 'Key Mute' is activated.
- Door alarms and 'Bottle Chill' alarm will still operate.
- 'Key Mute' will not automatically deactivate. To manually deactivate, press and hold the  button for 4 seconds.
- The  icon will no longer be illuminated.

### **Key Lock (all models)**





'Key Lock' allows you to disable the buttons on the internal control panel. This is useful when cleaning your refrigerator.

- To activate 'Key Lock' press and hold the  and  buttons for 4 seconds.
- The  icon on the internal control panel will be illuminated.
- Pressing any of the buttons will cause a raspberry beep to tell you that they are disabled.
- 'Key Lock' will not automatically deactivate. To manually deactivate, press and hold the  and  buttons for 4 seconds.
- The  icon will no longer be illuminated.

### **Sabbath mode activation (all models)**

- To activate 'Sabbath mode', open the door(s) of the fresh food compartment and freezer compartment and then press and hold the   and  buttons on the internal control panel for 4 seconds.
- The candle icon will illuminate when 'Sabbath mode' has been activated.








#### **When the product is in Sabbath mode:**

- The  icon on the internal control panel will be illuminated.
- All lights on the internal control panel except for the candle icon will be off.
- The fresh food or freezer compartment lights will not operate when the door(s) is opened.
- The door alarms will not operate.
- The internal control panel will not function except to indicate 'Sabbath mode' is active as stated above.
- Opening the door(s) will not affect the compressor or fans.
- If the power to the refrigerator is turned off whilst in this mode, the product will continue in 'Sabbath mode' when the power is restored.
- 'Sabbath mode' will automatically de-activate 80 hours after activation.
- To de-activate earlier than 80 hours press and hold the   and  buttons for 4 seconds. The candle icon will no longer illuminate on the internal control panel (and external display for Ice & Water models) and functionality of the internal control panel will return to normal.

## Special Functions



### **Bottle Chill (Designer, Elegance and Ice & Water models only)**

This function allows you to chill your beverages more rapidly in the freezer without the worry of forgetting them. The timer is set for 15 minutes however the time taken to chill depends on the size of your beverage. If after 15 minutes your beverage is not cold enough, simply place it back in the freezer and reset the 'Bottle Chill' function.

- To activate, press the  button on the internal display. The 'Bottle Chill' light will be illuminated when the function is activated. The  icon will be illuminated on the external display (Ice & Water models only).
- An alarm will sound after the 15 minute time has elapsed.
  - **For non Ice & Water models:** open the fresh food compartment door and press the  button on the internal control panel to silence the alarm.
  - **For Ice & Water models:** the  icon will flash on the external display. Press the  button on the external display to silence the alarm.
- Remember to remove your beverage from the freezer.
- To deactivate 'Bottle Chill' before 15 minutes has elapsed, press the  button again on the internal control panel. When 'Bottle Chill' is deactivated the light is off and the  icon is not visible on the external display (Ice & Water models only).

### **Fast Freeze (Designer, Elegance and Ice & Water models only)**

We have created the 'Fast Freeze' feature to help you get the best possible results when freezing fresh food. 'Fast Freeze' boosts the freezing speed by dropping the freezer to its coldest temperature for 12 hours, which helps to ensure vital freshness, texture and taste are retained during the freezing process.

- To activate, press the  button on the internal display. The 'Fast Freeze' light will be illuminated when the function is activated.
- To deactivate before the 12 hours has elapsed, press the  button again. When 'Fast Freeze' is deactivated the light is off.
- For best results we recommend that you activate the function before it is required. Alternatively, activate it when placing food into the freezer.

# ALL ABOUT THE EXTERNAL DISPLAY (ICE & WATER MODELS ONLY)




EN

This screen enables you to lock the water dispenser, indicates to you when 'Bottle Chill' is activated and when your water filter requires changing.



Electronic external display

## EXTERNAL DISPLAY FEATURES

 Lock	<b>Dispenser lock button and LED light</b>	Locks/unlocks the water dispenser. When locked the LED above the button will illuminate.
	<b>Bottle Chill indicator</b>	Icon will illuminate indicating when 'Bottle Chill' is activated and flashes when beverage is ready.
	<b>Filter change indicator</b>	Icon will illuminate indicating when water filter requires changing.

# USING YOUR WATER DISPENSER (ICE & WATER MODELS ONLY)

## Dispensing

- Your water dispenser has been designed for one-handed operation.
- To dispense water push the dispensing pad gently, using a glass or container. This pad requires only a gentle press to activate.
- To stop the flow of water, simply pull your glass away from the dispensing pad.

Please remember that pressing very hard against the dispensing pad will not encourage the dispenser to operate faster or produce greater quantities of water.



Water dispenser

## First use

Please make sure you have read and followed page 17 before using your water dispenser.

## IMPORTANT!



**To avoid damage to property or personal injury do not put hands, fingers or objects up the dispenser opening.**

Please note that once installation is complete a few drips may appear out of the dispenser over the next few days as the remaining trapped air is cleared.



## Dispenser Lock


The 'Dispenser Lock' prevents water from being dispensed. This is useful when you are cleaning the external display or when there are small children around.

- Press and hold the  button for 4 seconds to activate 'Dispenser Lock'.
- The light above the 'Dispenser Lock' icon will be illuminated.
- Pressing the water dispenser pad will cause a raspberry sound indicating to the user that water cannot be dispensed.
- To de-activate the 'Dispenser Lock', press and hold the  button for 4 seconds. The light above the 'Dispenser Lock' icon will no longer be illuminated and water dispensing will be enabled.



Dispenser Lock

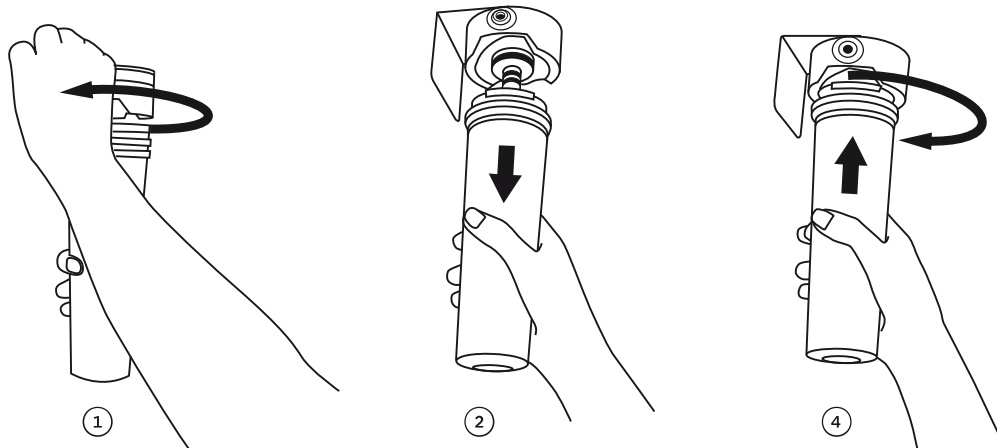
All the water to your refrigerator is filtered to remove impurities through a filter cartridge located in a position of your choice outside the refrigerator. This will need changing approximately every 6 months.

- There is a replacement indicator icon  on the internal control panel and external display which will appear when the filter needs replacing. It will flash, as a reminder, when water is dispensed.
- Replacement filter cartridges are available from your Fisher & Paykel Authorized Service Agent. The details of the replacement filter cartridge are labelled on the cartridge.

## Changing the water filter cartridge

It is not necessary to turn off the water supply before attempting to change the water filter cartridge.

- ① Grasp and firmly twist the cartridge in an anticlockwise direction (to the left when installed in the recommended orientation).
- ② Pull the cartridge away from the filter head (down when installed in the recommended orientation).
  - It is not unusual for a few drops of water to be present when the filter is removed.
- ③ Discard the old filter.
- ④ Filter installation:
  - Remove protective cap on spigot on head.
  - Push the cartridge up towards filter head while rotating it in a clockwise direction (to the right when installed in the recommended orientation).
- ⑤ Reset filter indicator icon on the display (this will remind you when the filter is due to be replaced again).
- ⑥ To flush the water filter of any trapped air, harmless carbon fines and to also check for leaks, disconnect the tubing from the back of the refrigerator, aim the end of the tubing into a bucket, turn isolating tap on and run at least 10 qt (10 liters) of water through. Once complete turn isolating tap off. Reconnect the tubing.
- ⑦ A few drips may appear out of the dispenser over the next few days as the remaining trapped air is cleared.





Changing the water filter cartridge

## WATER FILTER (ICE & WATER MODELS ONLY)

---







### To reset the filter indicator

#### **IMPORTANT!**


- We recommend the water filter to be used from the time of installation.
- Do not reset indicator before filter is changed or filter monitoring will be inaccurate.
- Press and hold  and **+** for 4 seconds to reset the internal and external filter indicators.
- The  icon on the internal and external displays will turn off when reset.

### To disable the filter indicator

Note: if disabled, you will not be reminded to next change your filter.

- When no filter is fitted, you can disable the filter indicator.
- Press and hold   and **+** for 4 seconds to turn this feature off, the  icon will flash once on the internal and external displays.
- We recommend that you do not disable the filter indicator if you have a filter fitted to the connection.
- To turn this feature on press and hold   and **+** for 4 seconds, the  icon on the internal and external displays will flash twice.





#### **IMPORTANT!**

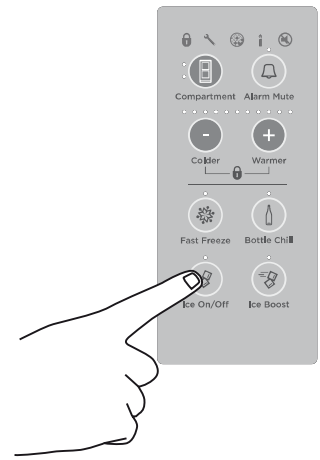
- To avoid serious illness or death, do not use the water filter where water is unsafe or of unknown quality.
- The water filter cartridge needs to be changed when the filter indicator icon flashes on the interface panel.
- We recommend the water filter cartridge is replaced when the internal and external  icons illuminate. This will happen every 6 months.
- If the water filtration system has been allowed to freeze, replace filter cartridge.
- The rate of water flow through the water dispenser can slow down as the filter cartridge accumulates any sediments which may be present in the water supplied to your home. This varies depending upon your local water quality, which may require your filter cartridge to be changed more frequently.
- In cases of excessively reduced filter life we recommend that you consult a local plumber or your water supplier for advice on suitable filtration requirements for the water supplied to your home.
- Filter replacement is the consumer's responsibility and will not be covered by the warranty except in the case of faulty parts or materials within the filter cartridge.
- If the water has not been dispensed for some time or water has an unpleasant taste or odor, flush system by dispensing 10 qt (10 liters) of water.
- If unpleasant taste or odor persists, you may wish to fit a new filter cartridge.

## Ice On/Off

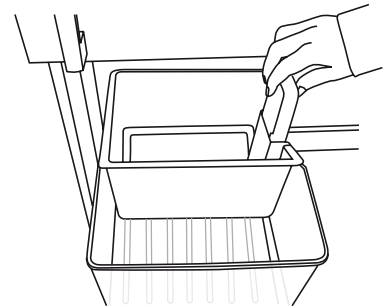
Your ice maker is designed to automatically dispense ice until it senses that the bin is full. So the more ice you use, the more it makes. It is even clever enough to sense when there is no bin in place to catch the ice and it will not dispense any ice.

### First use

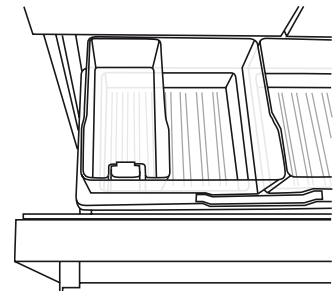
- When you first turn your refrigerator on after installation, the ice maker will be off. The light above the 'Ice On/Off' icon will be off.
- To turn your ice maker on press the  button. The light above the 'Ice On/Off' icon will be illuminated when the ice maker is on.
- Press and hold ,  and  together for 4 seconds then close the door(s). The ice tray will flip. Force another cycle. The ice tray will flip and spill the water into the ice bin. Empty water and replace bin.
- If the bin is full of ice, inserted incorrectly or if all bins are removed, the ice maker will not operate. When the bin is inserted correctly the scoop will be on the right hand side of the bin for models RF135B, E522B, RF170W and RF170A and at the front of the bin for RF201A models.
- Once your ice maker is in operation, discard the first 3 harvests of ice (8 ice cubes are produced per harvest). This will flush away any impurities in the water line and ensure that you get the best quality ice. We recommend that you also do this after vacations or extended periods of not using ice.
- We recommend that you turn the ice maker off if:
  - The water supply is to be off for several hours, or
  - The ice storage bin is to be removed for a period of time, or
  - You are going on holiday/vacation.



Turning ice maker on



RF135A, E522B, RF170A and RF170W



RF201A

Ice storage bin and scoop in correct position

## USING YOUR ICE MAKER (ICE & WATER MODELS ONLY)

---





### Information about your ice maker

- Your automatic ice maker will produce approximately eight cubes of ice every 3 – 4 hours, depending on the freezer compartment temperature and the number of door openings.
- When the 'Ice Boost' function is activated, ice production will increase up to 25% from standard ice making.
- The ice cube tray will fill with water.
- When cubes are frozen, they will be ejected from the ice tray into the ice storage bin.
- Ice making will continue until the storage bin is full.
- Ice making will resume once you start to use the stored ice.
- Your Ice & Water product comes with a smaller ice bin inside the larger freezer bin. Attached to the ice storage bin is the hygienic scoop for the ice. This scoop provides hygienic access to the ice.
- If a large amount of ice is required, remove an ice storage bin and allow ice to fall into the larger bin.
- For maximum ice storage, level the stored cubes with the ice scoop.
- If ice is not used often, old cubes will become cloudy, taste stale, will shrink and may stick together. Empty the ice storage bin periodically and wash in lukewarm water. Dry thoroughly and place back into the correct position.



### Ice boost function

This function is designed to be used for times when you require more ice eg when you are having a party. The 'Ice Boost' function will increase ice production up to 30% from standard ice making and deactivate automatically after 24 hours.

- When you first turn your ice maker on, the 'Ice Boost' function will be off.
- To turn this function on, press the  button. The light above the  button will be illuminated when the 'Ice Boost' function is on.
- The 'Ice Boost' function is paused once your ice bin is full.
- To manually deactivate this feature press the  button again. The light above the  button will be off when the 'Ice Boost' function is off.
- Activating the 'Ice Boost' function will automatically turn ice making on.
- Deactivating ice making will automatically deactivate the 'Ice Boost' function.

### IMPORTANT!

- **Avoid contact with the moving parts of the ice maker ejector mechanism, and do not place your fingers on the automatic ice making mechanism while the refrigerator is in operation.**
- **Do not use ice cubes that may have become discolored, usually with a green-blue color. If such discoloration is noted, discard the ice cubes and contact your Fisher & Paykel Authorized Service Agent.**
- **Ensure the ice maker is connected to the filter and to a drinkable water supply only.**
- **Installation of the water connection to the ice maker must be completed by a qualified service technician or a qualified plumber (refer to section, Installation instructions).**

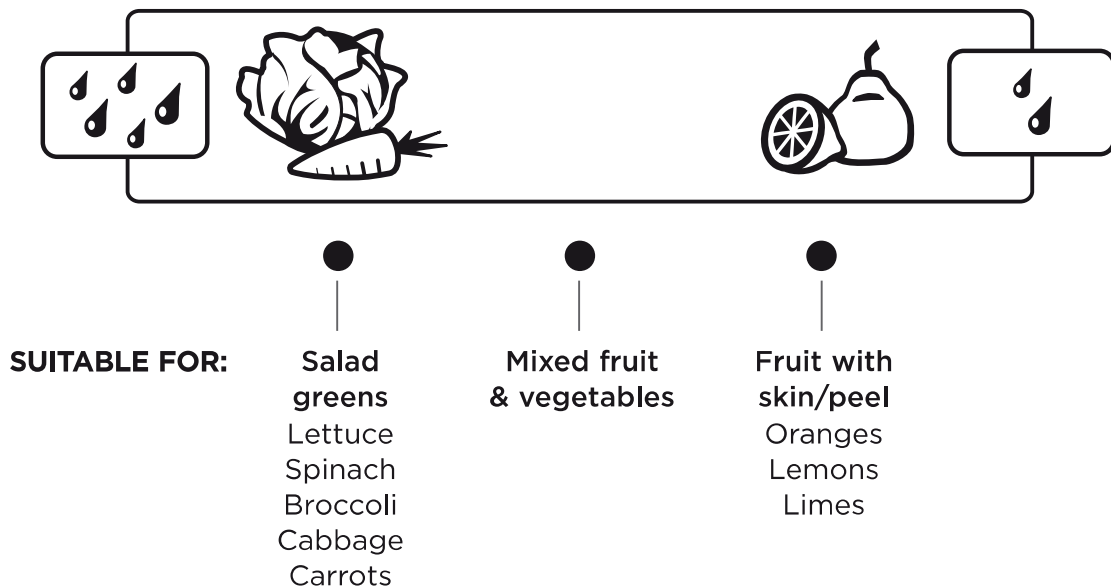
**Fruit and vegetable bins and humidity control lid**

The fruit and vegetable bins feature a unique lid which provides two functions:

- The humidity lid seals the bins and provides a humid microclimate to extend storage times of fruit and vegetables.
- The humidity lid prevents condensation, which forms at high humidities, from dripping down onto the fruit and vegetables by retaining it in the grooves of the lid.

**Fruit and vegetable bins and humidity slide**

- Each fruit and vegetable bin has a humidity slide control that can be adjusted to a fruit or vegetable setting depending on what is stored in the bins.
- If possible try to store fruit and vegetables separately. This will help extend their storage life.
- If there is a mixture of fruit and vegetables in the bin adjust the position of the control to the center.
- If there is too much water in the bins (due to the high humidity in the bins), the control can be adjusted towards the setting with fewer drips (fruit setting) and/or the water can be wiped out as required.
- Remember a minimum amount of water in the bins is beneficial for fruit and vegetable storage.

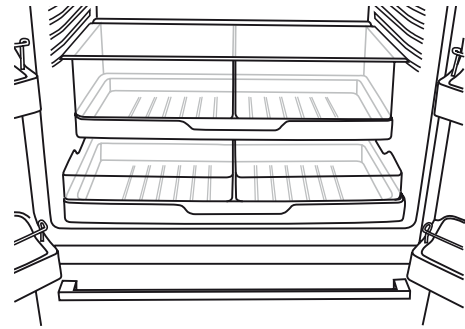


Humidity control graphic

## ACTIVSMART™ SPECIAL FEATURES (ALL MODELS)

### Slim storage drawer (where fitted)

The slim bins at the bottom of the fresh food compartment provide storage space for items that you may want to keep separate from the rest of the refrigerator. These slim storage bins can be used for deli item storage, beverages or for defrosting foods.



Slim storage drawer

### Bottle holder (where fitted)

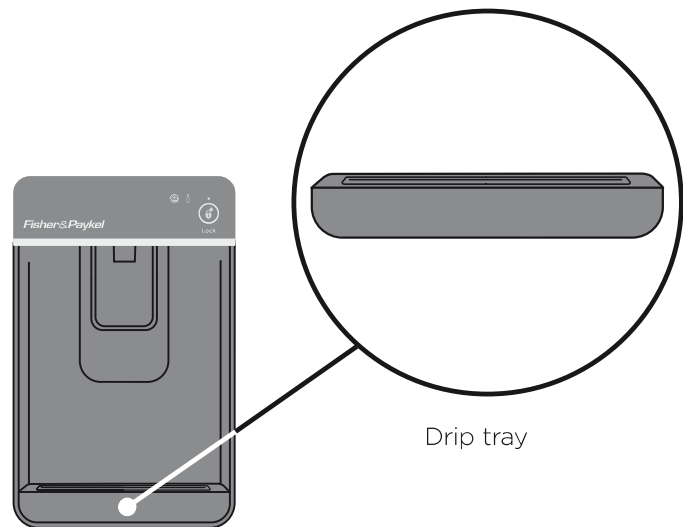
- The bottle holders can be used to store a variety of bottles.
- To position the bottle holder in your refrigerator, simply slot the back edge of the bottle holder onto the back trim of any shelf in the fresh food compartment.
- If you are not using all or some of the bottle holders, the unused bottle holders can be stacked up on top of one another so they do not take up unnecessary shelf space.
- Bottles are best stored with the neck of the beverage facing the front of the refrigerator.

### Glass shelves

- Glass shelves can be repositioned in the cabinet as desired.
- Remove shelves by lifting up the back of the shelf and then pulling the shelf forward.

### Drip tray (Ice & Water models only)

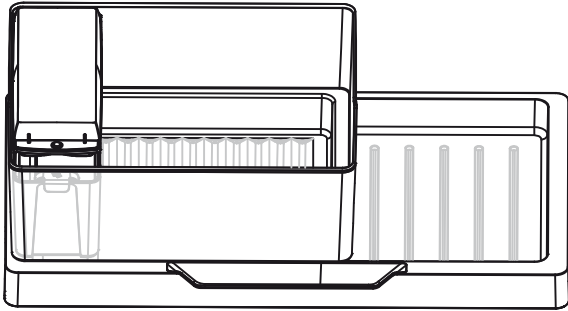
- The drip tray is designed to fit into the bottom of the water dispenser panel.
- To insert the tray always ensure that the rounded sides are fitted into the dispenser panel first.
- The purpose of the tray is to capture any odd drips of water that may fall after dispensing.
- The tray can be easily removed for cleaning.



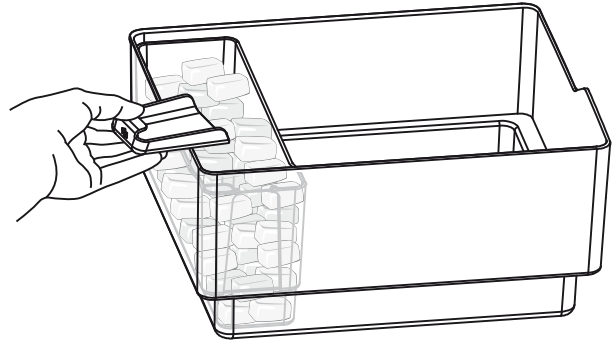
Drip tray

### Manual ice system - RF170W and RF170A (non Ice & Water models only)

An ice storage bin which sits inside the upper top freezer bin provides storage for and gives you access to clean, clear ice cubes.



Upper left freezer bin, ice storage bin, ice tray, lid and scoop in correct position



Accessing your ice

### Information about your manual ice system

- To make ice, take the ice tray and lid from the top of the ice storage bin. Remove the lid from the ice tray and fill the tray with water. Place the lid back on the ice tray and carefully position it back onto the ice storage bin.
- Once the ice is solid, take the ice tray and lid off the ice storage bin, remove the lid from the tray and twist the ice tray at each end in opposite directions. Turn the ice tray over the ice storage bin to dislodge the cubes into the bin.
- Fill the ice tray with clean water and repeat to fill the ice storage bin.
- Attached to the ice storage bin is the ice scoop which provides hygienic access to ice.
- To access ice cubes, take the ice tray and lid from the top of the ice storage bin and place onto a flat surface. Take the scoop from the front of the bin, scoop cubes into vessel and then replace the scoop, tray and lid back to the top of the bin.
- For maximum ice storage, level the stored cubes around the bin with the ice scoop.
- If ice is not used often, old cubes will become cloudy, taste stale, will shrink and may stick together. Empty the ice storage bin periodically and wash in lukewarm water. Dry thoroughly and place back in the correct position.

### Ice trays and lid (all other non Ice & Water models)

- To make ice, remove the lid from the ice tray and fill the tray with water. Place the lid back on the ice tray and carefully position it on a flat surface in the freezer compartment.
- To empty the ice cubes into the lid, hold the tray and lid together and twist the ends of the tray in opposite directions to dislodge.
- Refill the ice tray with water and store in the freezer.
- Ice cubes are best stored in a closed container or plastic bag as they readily absorb odors and tastes from other foods.

# CLEANING AND CARING FOR YOUR REFRIGERATOR

---

## Exterior (all models)

### Stainless exterior doors

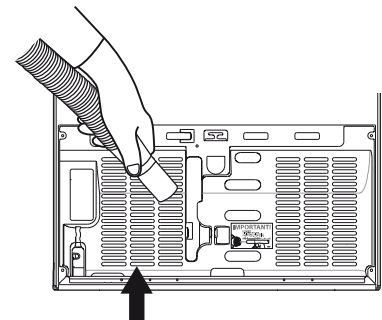
- Clean the exterior door with liquid dishwashing detergent dissolved in warm water and a soft cloth.
- Dry the door with a lint-free cloth.
- The use of any abrasive or stainless steel cleaners and solvents will damage the door surface.

### Other exterior surfaces (all models)

- Clean all other exterior surfaces with a mix of warm water and liquid dishwashing detergent, and a soft cloth.
- If necessary, clean the magnetic door gasket and the center door gaskets with an old toothbrush, warm water and liquid dishwashing detergent.

### Rear compartment cover

- To maximize operating efficiency regularly vacuum the flooring around your appliance.
- Cleaning behind the appliance is required once or twice a year. More frequent cleaning may be necessary for dusty homes or those with pets shedding hair.
- To do this wind up the feet and carefully ease the refrigerator out of its position. Switch off and unplug.
- Vacuum the flooring behind your appliance and the rear compartment cover to remove dust accumulation. Use a dry lint-free cloth to clean the appliance walls and surrounding cabinetry.
- After cleaning, plug in and switch on. Push the appliance into position and wind feet down.



Cleaning the rear compartment cover

## **WARNING!**

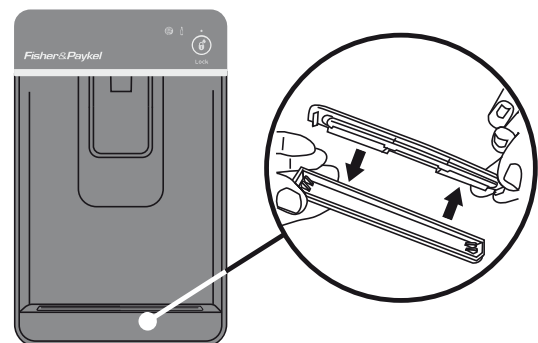
**Electric Shock Hazard. Do not remove rear compartment cover. This may expose you to the risk of an electric shock.**

### Water dispenser pad and interface (Ice & Water models only)

- We have incorporated a Dispenser and 'Key Lock' function in your refrigerator to make cleaning easier. This will help you to avoid accidental water dispensing while you clean.
- Clean the pad and interface panel with a soft damp cloth.

### Drip tray (Ice & Water models only)

- To clean, take the tray out of the dispenser panel and pull the two halves of the tray apart.
- Clean in warm water with a mild detergent. Dry and clip back together.



Cleaning the drip tray

**Interior (all models)**

- It is important to keep the interior of the refrigerator and freezer clean to help prevent food from becoming contaminated during storage.
- The amount and types of food stored determines how often cleaning should be carried out in the refrigerator (ideally once every 1 to 2 weeks).
- Remove the shelves from cabinet and door. Wash shelves and storage bins in warm water and detergent; rinse in clean water and dry before replacing.
- Wipe over the interior surfaces with warm water and liquid dishwashing detergent. Alternatively you can use 1 tsp baking soda dissolved in ½ qt (500 ml) of warm water. Rinse with clean water.
- To help remove “old stale refrigerator” smells add a few drops of vanilla essence or vinegar to the water before cleaning.
- Clean interior surfaces with warm water and liquid dishwashing detergent. Use a toothbrush for the magnetic door gasket.
- Do not use harsh, abrasive cloths on any part of the refrigerator or freezer.

**Glass shelves (all models)**

Clean with warm water and detergent or a glass cleaner.

**Bottle holder (where fitted)**

Clean with warm water and detergent. The use of abrasive cleaners and solvents may cause damage.

**Automatic ice dispenser (Ice & Water models only)**

- We do not recommend you clean the ice maker componentry, but it is important to clean the bins occasionally.
- The storage bin should be cleaned regularly and the old ice in the bottom of the bin discarded.
- Wash bin in lukewarm water. Dry thoroughly and replace.
- When replacing the bin ensure that the scoop is on the right hand side or at the front of the bin (model dependent).

**IMPORTANT!**

**Many commercially available cleaning products contain solvents that may attack the plastic components of your refrigerator and cause them to crack. It is important to use only warm water and a small amount of liquid dishwashing detergent on any components inside and outside your refrigerator. Avoid using anti-bacterial cleaning products on either the interior or exterior of the cabinet as they may cause rusting of metal components and cracking of plastic components.**

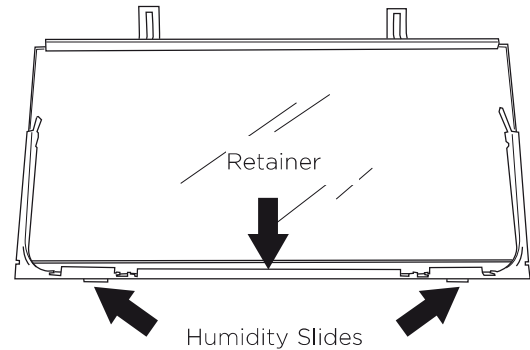
# CLEANING AND CARING FOR YOUR REFRIGERATOR

## Humidity Control System

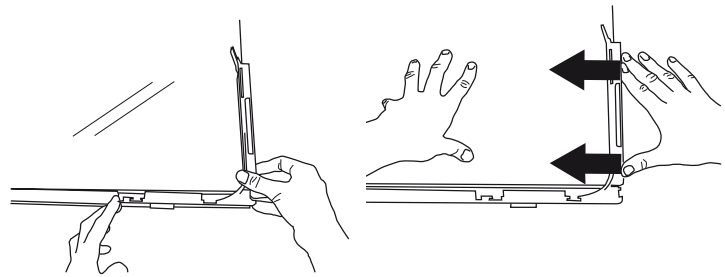
### **IMPORTANT!**

**When cleaning the shelf above the vegetable bins, we recommend that you do not disassemble the Humidity Control System from the shelf.**

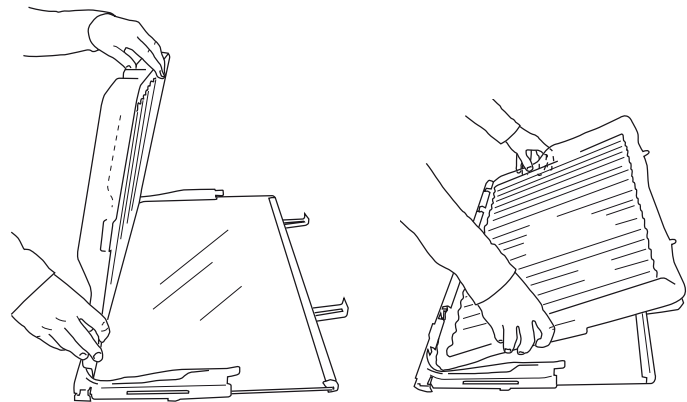
In the event that the humidity control lid (plastic lid) and humidity slides become separated from the glass shelf, follow these instructions to reassemble.



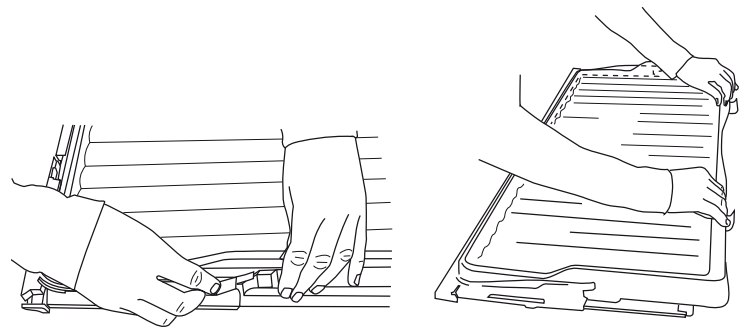
- ① Turn shelf upside down
- ② To attach humidity slides onto shelf front corners, fit bottom clips into shelf front trim. Next, slide sideways towards shelf until arm clips onto glass.



- ③ To attach humidity control lid - with text facing you, align lid with front of shelf. Hold lid vertically and fit front end into retainer on shelf. Ensure lid fits into retainer as well as underneath humidity slides.



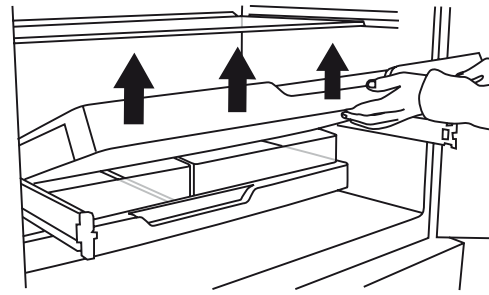
- ④ At the sides of the shelf, adjust humidity slide tabs so that the plastic lid is between the shelf and the tabs.
- ⑤ If clips on back of shelf are present, fasten lid with rear clips. Ensure that the cover is fully secure at front and back of shelf.



Humidity Control System cleaning

**To remove trays or fixed bins**

- For ease of removal, empty food from tray/bin first.
- Hold the center front of the tray/bin handle.
- Lift vertically to unclip from the runners and pull tray/bin towards you to remove.
- Push both runners back into refrigerator.



Tray removal

**To replace trays or fixed bins:**

With the runners pushed back into the refrigerator, place the tray/bin on top of the runners. Push the tray/bin back slowly until you feel it clip back onto the runners.

**IMPORTANT!**

- **Ensure that trays and bins are securely clipped onto the runners before use.**
- **Bin and tray runners are pre-lubricated, and will not need to be re-lubricated during their life. Do not attempt to clean grease from the runners, as this will affect their ability to function. Do not immerse runners in water.**

**Permanently fixed bins and trays (Freezer drawer models only)**

The freezer bins and trays in this model are permanently fixed. They cannot be removed from the freezer compartment. To clean simply wipe with a soft, damp cloth.

**On vacation/holiday**

- Turn the ice maker to OFF on the internal control panel.
- Shut off the water supply to the refrigerator.
- On your return, turn on the water supply to the refrigerator.
- Dispense 10 qt (10 liters) of water and discard to ensure the water tank is refilled with fresh water.
- Turn on the ice maker.
- Discard the first 3 harvests of ice (8 ice cubes are produced per harvest).

# STORING FOOD IN YOUR REFRIGERATOR

---

Your refrigerator helps to extend the storage times of fresh perishable foods. The cold temperature slows down the major causes of food spoilage – namely, the growth of bacteria, moulds and yeasts, and any chemical and physical reactions.

## **Fresh food care**

The quality of food before it is placed in the refrigerator is critical to successful storage. For best results:

- Select foods that are very fresh and of high quality.
- Buy only the amount that you will use within the recommended storage time. If you buy extra, plan to freeze it.
- Ensure that food is well wrapped or covered before it is stored. This will prevent food from dehydrating, deteriorating in color or losing flavor and will help maintain freshness. It will also prevent odor transfer. Fruit and vegetables need not be wrapped provided they are stored in the vegetable bins of the refrigerator.
- Make sure that strong smelling foods are wrapped or covered and stored away from foods such as butter, milk and cream which can be easily tainted by strong odors.
- Refrigerate fresh, perishable foods as soon as possible after purchase. If left at room temperature for any length of time the rate of deterioration will be accelerated.
- Avoid placing food directly in front of air outlets, as it may freeze and cold air needs to circulate to maintain safe food storage.
- Do not open the refrigerator door unnecessarily.
- Cool hot foods down before placing them in the refrigerator. This should be done quickly. It can be aided by placing the container of food in a bowl of ice and water; renew the ice as necessary. (Note also that hot containers may damage shelves and walls of the refrigerator).
- Store raw and cooked food in separate containers or packaging to prevent cross contamination.

## **In addition:**

- Keep the refrigerator clean. Wipe the inside walls and shelves frequently (refer to section 'Cleaning and caring for your refrigerator') and place only clean containers in the refrigerator.
- Keep a close check on the quality of food in your refrigerator. Discard any food that shows signs of spoilage. Pay particular attention to meat, fish and poultry, as these foods are highly perishable. Use food within the recommended storage times.

## **Dairy foods and eggs**

- Most pre-packed dairy foods have a recommended 'use by/best before/best by' date stamped on them. Store them in the refrigerator and use within the recommended time.
- Butter can become easily tainted by strong smelling foods so it is best stored in a sealed container.
- Eggs should be stored in the refrigerator. For best results, especially when baking, remove the eggs from the refrigerator two hours before they are to be used.

**Red meat**

- Place fresh red meat on a plate and loosely cover with waxed paper, plastic wrap or foil.
- Store cooked and raw meat on separate plates. This will prevent any juices lost from the raw meat contaminating the cooked product.
- Delicatessen meats should be used within the recommended storage time.

**Poultry**

- Fresh whole birds should be rinsed inside and out with cold running water. Dry and place on a plate. Cover loosely with plastic wrap or foil.
- Poultry pieces should also be stored this way. Whole poultry should never be stuffed until just before cooking, otherwise food poisoning may result.
- Cool and refrigerate cooked poultry quickly. Remove stuffing from poultry and store separately.

**Fish and seafood**

- Whole fish and fillets should be used on the day of purchase. Until required, refrigerate on a plate loosely covered with plastic wrap, waxed paper or foil.
- If storing overnight or longer, take particular care to select very fresh fish. Whole fish should be rinsed in cold water to remove loose scales and dirt and then patted dry with paper towels. Place whole fish or fillets in a sealed plastic bag.
- Keep shellfish chilled at all times. Use within 1 - 2 days.

**Precooked foods and leftovers**

- These should be stored in suitable covered containers so that the food will not dry out.
- Keep for only 1 - 2 days.
- Reheat leftovers only once and until steaming hot.

**Fruit and vegetable bins**

- Although most fruit and vegetables keep best at low temperatures, take care not to store the following at temperatures of less than 44.6°F (7°C) for long periods: Citrus fruit, tropical fruit, tomatoes, cucumbers.
- Undesirable changes will occur at low temperatures such as softening of the flesh, browning, accelerated decaying and/or loss of flavor.
- Do not refrigerate avocados (until they are ripe), bananas, mangoes or pepinos.
- If possible store fruit and vegetables separately, ie fruit in one bin and vegetables in the other.
- Each fruit and vegetable bin has a humidity control slide that can be adjusted depending on what is stored in the bins. For more information on using the Humidity Control refer to section 'ActiveSmart™ special features'.

## STORING FOOD IN YOUR FREEZER

---

The use of temperatures of -0.4°F (-18°C) or colder to store food means that the food can be kept for longer periods than when refrigeration temperatures are used. This is because the growth of bacteria, moulds and yeasts are stopped, and chemical and physical reactions are severely restricted at such low temperatures.

### Frozen food care

#### For best results:

- Choose only high quality foods that freeze well.
- Store at -0.4°F (-18°C) or colder. Take care to maintain this low storage temperature, eg try to avoid opening the freezer door unnecessarily. If your ice cream is soft you are running your freezer too warm.
- Leave space at the top of containers, glass jars or plastic bags containing liquids or semi-solid foods. These expand as they freeze. Usually 1 to 2" (20 – 50 mm) head space is recommended. Seal. Ideally, remove all the air from the package after food is frozen.
- Packages or containers of solid foods should have the air removed from them and be sealed tightly before freezing.
- Use the 'Fast Freeze' function when freezing fresh food. This helps to speed up the freezing process, giving optimum freezing results. It is recommended that the function is activated approximately 2 hours before required.
- Freeze immediately or as quickly as possible. Freeze only small quantities of food at any one time. For best results we recommend that only 2.2 pound (1 kg) of food be frozen per 6.6 gal (25 L) or 0.88 cubic feet of freezer storage volume at any one time. (About 6.6 pound (3 kg) in small freezers and 8.8 pound (4 kg) in larger freezers). For faster freezing in ActiveSmart™ models, we recommend that fresh food is placed at the top of the freezer compartment close to the air vent.
- Thaw foods preferably in a refrigerator, or using a microwave oven or multifunction oven.
- Keep a constant turnover of food. Use older items of food first and do not exceed recommended storage times.
- Use good quality freezer proof packaging to maintain food quality.
- If food is only covered in plastic film place inside a freezer-proof plastic bag.

### Recommended freezer storage times

These times should not be exceeded.

<b>MONTHS</b>	<b>TYPE OF FOOD STORED</b>
1	Bacon, casseroles, milk
2	Bread, ice cream, sausages, pies – (meat and fruit), prepared shellfish, oily fish
3	Non-oily fish, shellfish, pizza, scones and muffins
4	Ham, cakes, biscuits, beef and lamb chops, poultry pieces
6	Butter, vegetables (blanched), eggs whole and yolks, cooked crayfish, minced meat (raw), pork (raw)
12	Fruit (dry or in syrup), egg whites, beef (raw), whole chicken, lamb (raw), fruit cakes

**Meat, poultry and game**

- Do not try to freeze more than 2.2 pound (1 kg) meat per 6,6 gal (25 L) or 0,88 cubic feet of freezer storage volume at any one time. Meat must be frozen quickly in order to maintain its texture.
- Do not stuff poultry before freezing.
- Red meat can be cooked from frozen, or from the partly or completely thawed states. Remember to allow extra cooking time if cooking from frozen.
- Always thaw poultry completely before cooking.

**Fish**

- Fish is best frozen commercially. If, however, you do want to freeze fish at home, make sure the fish is very fresh and of high quality.
- Clean, scale and preferably leave whole. All fish should be wrapped in two layers of packaging as depending on the type of fish, odors and flavors can be readily transferred either to or from it. Seal well.
- For best results, cook from either the frozen or partly thawed state.

**Fruit**

- Choose high quality, mature, and ready to eat fruit. Preferably select varieties recommended for freezing.
- Avoid unripe and over-ripe fruit.
- The way fruit is packed depends on how it is to be used. Fruits packed in syrup are ideal for desserts, whereas fruits packed without sugar are better used for cooking. Most fruits can be stored for 8 - 12 months.

**Vegetables**

- Most vegetables freeze well, although 'salad' vegetables lose their crispness. Other vegetables, eg celery, onion and tomatoes, should only be used in cooked dishes as they soften on freezing.
- Freeze only high quality, mature, ready-to-eat vegetables.
- Sort and discard any vegetables that are damaged.
- It is necessary to blanch most raw vegetables prior to freezing.
- Blanching involves a short cooking period during which vegetable enzymes are destroyed. If these enzymes are not destroyed they cause undesirable physical and chemical changes during freezer storage.
- Vegetables can be blanched in boiling water, steam or microwave oven. If using boiling water, boil vegetables for 2 - 4 minutes and cool quickly.
- In general, frozen vegetables are best cooked from their frozen state.


**Prepared and cooked foods**

- Most cooked foods can be frozen but it is not recommended to freeze the following: Cooked egg white, custards, cream fillings and milk puddings, gelatine or jelly-like dishes, mayonnaise and similar salad dressings, meringue toppings. These tend to separate on thawing.

## User warnings

### Faults

In the unlikely event a fault occurs the  icon will illuminate on the internal control panel and an alarm will sound when the fresh food compartment door is opened.

- Please count the number of beeps made when the fresh food compartment door is opened. Please also take note of the number and sequence of temperature lights displayed on the internal control panel and contact our Customer Care Center.
- To silence the fault alarm press any button on the internal control panel. The  icon will remain illuminated until the fault is corrected.

### Normal refrigerator sounds




ActiveSmart™ refrigerators, with their excellent energy ratings and cooling performance, can produce sounds somewhat different to your old refrigerator.

#### Normal operational sounds include:

- Fan air flow sound. ActiveSmart™ refrigerators have fans which change speed depending on demand. During cooling periods, such as after frequent door openings, fans circulate the cold air in the refrigerator and freezer compartments producing some air flow sound. This is quite normal.
- Cracking or popping which may occur when the defrost function is operating.
- Running water sound. This is the liquid refrigerant in the system and can be heard as a boiling or gurgling noise.
- An audible hissing sound after closing the freezer door. This is due to the pressure difference between the warm air that has entered the cabinet and suddenly cooled, and the outside air pressure.
- Other sounds may be heard for the following reasons:
  - Cabinet not level.
  - Floor uneven or weak.
  - Bottles or jars rattling on shelves.
- If this is your first refrigerator with an ice maker, you will hear occasional sounds that may be unfamiliar. They are normal ice making sounds and are not cause for concern.
- The following sounds are normal with the operation of an ice maker:
  - Motor operation (low humming).
  - Running water as the ice maker and/or water tank fills.
  - Water valve opening and closing (hissing sound).
  - Ice being loosened from the ice moulding tray (cracking).
  - Ice dropping into bin (clunking).


If there is a problem with your appliance, please check the following points before contacting your local Fisher & Paykel Authorized Service Agent or the Customer Care Center.

### All models

PROBLEM	POSSIBLE CAUSES	WHAT TO DO
<b>Appliance does not operate.</b>	No electricity at power outlet.	Check that the plug is correctly connected and power switched on.
		Check another appliance at the same outlet.
		Check house fuse.
<b>Light not working.</b>	Light not functioning.	The LED light cannot be serviced by the user. Contact your Fisher & Paykel Dealer or Fisher & Paykel Authorized Service Agent.
	Refrigerator not working.	Check refrigerator is turned on at wall.
<b>Light and display not working.</b>	Product in 'Sabbath Mode'.	Press and hold  ,  and  together for 4 seconds.
<b>Motor operates for long periods.</b>	Hot weather.	Minimize door openings to allow temperature to stabilize.
	Frequent door openings.	
	Large amount of food recently added.	
	Temperature control set too low.	Refer to section 'Temperature control'.
	Doors not sealing properly.	Check that cabinet is level and gasket seals are clean.
<b>Storage compartments too warm.</b>	Temperature setting not correct.	Refer to section 'Temperature control'.
	Frequent door openings.	Minimize door openings to allow temperature to stabilize.
	Large amount of food recently added.	
<b>Food freezing in the refrigerator.</b>	Temperature setting not correct.	Refer to section 'Temperature control'.
	Food placed directly in front of air outlets.	Move chill sensitive foods away from the center back of the shelves.
<b>Unfamiliar noises.</b>	Cabinet not stable or level.	Refer to sections 'Installation instructions' or 'ActiveSmart™ user warnings and sounds'.
	Freezer is defrosting.	

## TROUBLESHOOTING

### All models


PROBLEM	POSSIBLE CAUSES	WHAT TO DO
<b>Water in the vegetable bins.</b>	Condensation is formed by the water produced by fruit and vegetables.	<p>A small amount of condensation is beneficial for fruit and vegetable storage.</p> <hr/> <p>Wipe out water with a cloth.</p> <hr/> <p>Set humidity slide to low humidity setting </p>
<b>Exterior of cabinet is warm.</b>	This is normal.	
<b>Warm area on central door seal (French door models only).</b>	This is normal.	
<b>Condensation on outside of refrigerator/freezer.</b>	Not unusual during periods of high humidity.	Wipe dry.
<b>Condensation inside fresh food compartment.</b>	<p>Frequent or long door openings.</p> <hr/> <p>Door gasket leaking.</p> <hr/> <p>Not unusual during periods of high humidity.</p>	<p>Minimize door openings.</p> <hr/> <p>Check that gasket is sitting flat and sealing tightly.</p> <hr/> <p>Wipe dry.</p>
<b>Door handles out of alignment.</b>	With time and usage, movement may occur.	Refer to section 'Installation instructions'.
<b>Tray/bin does not slide in and out evenly.</b>	<p>Packaging trapped.</p> <hr/> <p>Runners not extending fully.</p>	<p>Check to ensure no food or packaging is trapped behind the tray/bin.</p> <hr/> <p>Holding onto sides of tray/bin, extend the runners fully by using a firm pull - this will reset the runner.</p>
<b>Taste of odor in ice cubes</b>	Transfer of odor/taste from strong smelling foods.	Wrap or cover strong smelling foods.
<b>Appliance operating inefficiently</b>	Accumulation of dust on or behind the rear compartment cover.	<p>Refer to section 'Cleaning and caring for your refrigerator'.</p> <hr/> <p>If problem persists please contact Customer Care.</p>

**Ice & Water models only**


<b>PROBLEM</b>	<b>POSSIBLE CAUSES</b>	<b>WHAT TO DO</b>	
<b>Automatic ice maker does not work.</b>	Ice maker has not been turned on.	Switch on ice maker.	
	Bin is in the wrong way or there is no bin in place.	Place bin so scoop is on the right side. Ice bin sits directly under ice maker on top left side of freezer.	
	Water supply turned off or not connected.	Connect water supply.	
	Freezer compartment not working.	Contact Customer Care.	
	Water pressure too low.	Check water pressure.	
	Water line kinked/squashed.	Check water line for kinks/squashing.	
	Filter clogged.	Water filter may need replacing.	
<b>Ice cubes have odor/taste.</b>	Unsealed packages may be transmitting odor/taste.	Old cubes need to be discarded. Ensure food packaging is sealed.	
	Interior of freezer needs cleaning.	Ice storage bin needs to be emptied and washed. Clean refrigerator.	
	Poor taste from incoming water.	Filter may need changing. A new filter may need to be installed. Force 2 - 3 ice tray flips.	
	<b>Slow ice cube freezing.</b>	Door may have been left ajar.	Close door.
		Freezer compartment too warm.	Turn temperature to a colder setting.
<b>Warm spot on central door seal. (French door models only)</b>	You may feel a warm spot at times on the central seal between the two refrigerator doors.	This is perfectly normal and is part of the normal refrigerator operation.	

## TROUBLESHOOTING

### Ice & Water models only

PROBLEM	POSSIBLE CAUSES	WHAT TO DO
<b>Wet ice/ ice clumping.</b>	Low water pressure.	Check water pressure.
	Filter blocked.	Replace filter.
	Long freezer door openings.	Gently tap ice with scoop to unstick or, if large clumps occur, empty ice bin and make new ice.
	High ambient temperature.	
	Ice bin left out of freezer compartment for a length of time.	
Ice will stick together over time.		
<b>Water has poor taste/odor.</b>	Refrigerator not used for an extended period.	Dispense 10 qt (10 L) of water so fresh water supply is replenished.
<b>Water dispenser does not work.</b>	Water supply turned off or not connected.	Turn water on.
		Press dispenser for 2 minutes to remove trapped air from water line and to fill the water system.
	Supply line may be blocked.	Check supply for kinks or leaks.
	On first installation there may be air in water system.	To remove air, run 3 qt (3 L) of water through the dispenser.
	Filter may be blocked and need replacing.	Replace filter (see back of this booklet for Customer Care contact details).
	'Dispenser Lock' activated.	Press and hold the  button for 4 seconds.
Water frozen in tank.	Increase temperature to a warmer setting in fresh food compartment and freezer.	
<b>Water in first glass is warm.</b>	Water dispenser not used for extended period.	Discard first glass of water dispensed.
	Tank capacity used recently.	Allow water time to cool.

**Ice & Water models only**

<b>PROBLEM</b>	<b>POSSIBLE CAUSES</b>	<b>WHAT TO DO</b>
<b>Filter warning light  is flashing.</b>	Filter needs replacing.	Replace filter as soon as possible.
<b>Drips overflow drip-shelf.</b>	Air trapped in tank.	Flush 3 qt (3 L) water through dispenser, stopping intermittently.
	New filter installed.	Flush 10 qt (10 L) water through filter and then 3 qt (3 L) through dispenser.
<b>Water flow rate has slowed down.</b>	Filter cartridge is restricted.	Replace filter as soon as possible.
<b>Ice buildup inside freezer compartment.</b>	Freezer door not closing tightly.	Arrange items in freezer so door can close tightly.
		Check and clean door gasket seal.
<b>Ice maker makes unfamiliar sounds or seems too loud.</b>	Normal ice maker operation.	Refer to section 'ActiveSmart™ user warning and sounds'.
<b>Ice boost function not increasing rate of ice production.</b>	Ambient temperature very warm.	Minimize door openings.
	Refrigerator is in high usage.	

## LIMITED WARRANTY

---

When you purchase any new Fisher & Paykel ActiveSmart™ product for personal or consumer use you automatically receive a two year limited warranty covering parts and labor for servicing within the 48 mainland United States, Hawaii, Washington DC and Canada. In Alaska the limited warranty is the same except that you must pay to ship the product to the service shop or the service technician's travel to your home. Products for use in Canada must be purchased through the Canadian distribution channel to ensure regulatory compliance.

If the product is installed in a motor vehicle, boat or similar mobile facility, you receive the same two year limited warranty, but you must bring the vehicle, boat or mobile facility containing the product to the service shop at your expense or pay the service technician's travel to the location of the product.

You receive an additional three year limited warranty (for a total of five years) covering parts and labor for sealed refrigeration system (compressor, evaporator, condenser, filter dryer, and connecting tubing) within the 48 mainland United States, Hawaii, Washington D.C. and Canada. In Alaska the limited warranty for the sealed refrigeration system is the same except that you must pay to ship the product to the service shop or the service technician's travel to your home.

### **Fisher & Paykel undertakes to:**

Repair or at its option replace without cost to the owner either for material or labor any part of the product, the serial number of which appears on the product, which is found to be defective within two years of purchase. In Alaska, you must pay to ship the product to the service shop or for the service technician's travel to your home. If the product is installed in a motor vehicle, boat or similar mobile facility, you must bring it to the service shop at your expense or pay for the service technician's travel to the location of the product. If we are unable to repair a defective part of the product after a reasonable number of attempts, at our option we may replace the part or the product, or we may provide you a full refund of the purchase price of the product (not including installation or other charges).

This limited warranty extends to the original purchaser and any succeeding owner of the product for products purchased for ordinary single-family home use.

All service under this limited warranty shall be provided by Fisher & Paykel or its Authorized Service Agent during normal business hours.

### **How long does this limited warranty last?**

Our liability under this limited warranty expires TWO YEARS from the date of purchase of the product by the first consumer.

Our liability under any implied warranties, including the implied warranty of merchantability (an unwritten warranty that the product is fit for ordinary use) also expires TWO YEARS (or such longer period as required by applicable law) from the date of purchase of the product by the first consumer. Some states do not allow limitations on how long an implied warranty lasts, so this limit on implied warranties may not apply to you.

**This limited warranty does not cover:**

- Ⓐ Service calls that are not related to any defect in the product. The cost of a service call will be charged if the problem is not found to be a defect of the product. For example:
  - ① Correcting faulty installation of the product.
  - ② Instructing you how to use the product.
  - ③ Replacing house fuses, resetting circuit breakers, correcting house wiring or plumbing, or replacing light bulbs.
  - ④ Correcting fault(s) caused by the user.
  - ⑤ Changing the set-up of the product.
  - ⑥ Unauthorized modifications of the product.
  - ⑦ Noise or vibration that is considered normal, for example, drain/fan sounds, refrigeration noises or user warning beeps.
  - ⑧ Correcting damage caused by pests, for example, rats, cockroaches, etc.
- Ⓑ Defects caused by factors other than:
  - ① Normal domestic use or
  - ② Use in accordance with the product's user guide.
- Ⓒ Defects to the product caused by accident, neglect, misuse, fire, flood or Act of God.
- Ⓓ The cost of repairs carried out by non-authorized repairers or the cost of correcting such unauthorized repairs.
- Ⓔ Travel fees and associated charges incurred when the product is installed in a location with limited or restricted access. (eg airplane flights, ferry charges, isolated geographic areas).
- Ⓕ Normal recommended maintenance as set forth in the product's user guide.
- Ⓖ Filter replacement except in the case of faulty parts or materials within the filter cartridge.
- Ⓗ Damage (including water damage) caused by faulty installation or plumbing.

This product has been designed for use in a normal domestic (residential) environment. This product is not designed for commercial use (whatsoever). Any commercial use by a customer will affect this product's limited warranty.

If you have an installation problem contact your dealer or installer. You are responsible for providing adequate electrical, exhausting and other connection facilities.

We are not responsible for consequential or incidental damages (the cost of repairing or replacing other property damaged if the product is defective or any of your expenses caused if the product is defective). Some States do not allow the exclusion or limitation of incidental or consequential damages, so the above limitation or exclusion may not apply to you.

## LIMITED WARRANTY

---

### How to get service

Please read your user guide. If you then have any questions about operating the product, need the name of your local Fisher & Paykel Authorized Service Agent, or believe the product is defective and wish service under this limited warranty, please contact your dealer or call us at:

### USA and Canada

TOLL FREE **1.888.9.FNP.USA (1.888.936.7872)**

or use the link at: **[www.fisherpaykel.com/locator/servicer/](http://www.fisherpaykel.com/locator/servicer/)**

You may be required to provide reasonable proof of the date of purchase of the product before the product will be serviced under this limited warranty.

### No other warranties

This limited warranty is the complete and exclusive agreement between you and Fisher & Paykel regarding any defect in the product. None of our employees (or our Authorized Service Agents) are authorized to make any addition or modification to this limited warranty.

Warrantor: Fisher & Paykel Appliances, Inc.

If you need further help concerning this limited warranty, please call us at above number, or write to:

Fisher & Paykel Appliances, Inc.

695 Town Center Drive, Suite 180

Costa Mesa

CA 92626

This limited warranty gives you specific legal rights, and you may also have other rights which vary from state to state.





---

Introduction	57
Sécurité et mises en garde	58
Instructions d'installation	61
Déplacement ou entreposage de votre appareil	75
Conversion de la porte	76
Fermeture en douceur de la porte de réfrigérateur	76
Instructions d'utilisation ActiveSmart™	77
Informations sur l'afficheur externe (modèles Ice & Water uniquement)	81
Utilisation de votre distributeur d'eau (modèles Ice & Water uniquement)	82
Filtre à eau (modèles Ice & Water uniquement)	83
Utilisation de votre appareil à glaçons (modèles Ice & Water uniquement)	85
Fonctions spéciales ActiveSmart™ (tous les modèles)	87
Nettoyage et entretien de votre réfrigérateur	90
Conservation des aliments dans votre réfrigérateur	94
Conservation des aliments dans votre congélateur	96
ActiveSmart™ - Mises en garde et sons	98
Dépannage	99
Garantie limitée	104
Données de rendement du filtre	107

---

## **IMPORTANT!**

### **CONSERVEZ CES INSTRUCTIONS**

Les modèles illustrés dans ce guide de l'utilisateur peuvent ne pas être disponibles dans tous les pays et sont sujets à modifications sans préavis. Pour les plus récentes informations sur la disponibilité des modèles et des caractéristiques dans votre pays, veuillez visiter notre site Web ou contacter votre détaillant Fisher & Paykel local. Veuillez noter que le terme « réfrigérateur » utilisé dans ce guide de l'utilisateur sert à désigner des produits combinant un réfrigérateur et un congélateur.

## **Enregistrement**

Enregistrez votre produit afin que nous vous donnions le meilleur service possible.

Pour enregistrer votre produit, veuillez visiter notre site web [www.fisherpaykel.com](http://www.fisherpaykel.com)

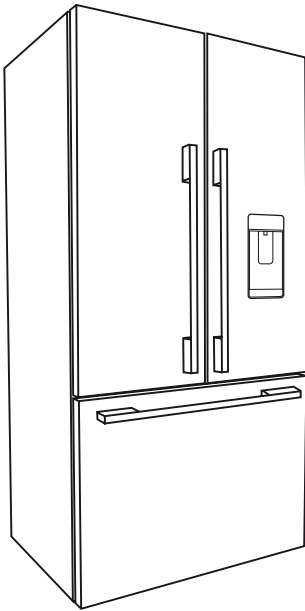


Nous vous remercions d'avoir acheté un réfrigérateur ActiveSmart™ de Fisher & Paykel.

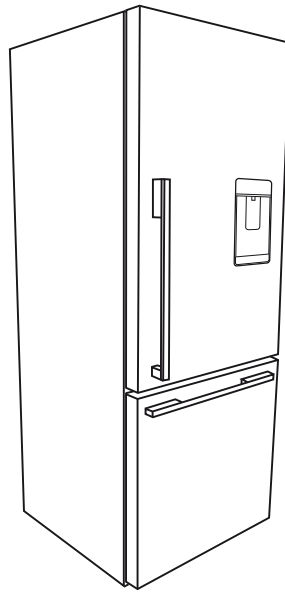
Chez Fisher & Paykel, nous sommes très fiers de ce réfrigérateur. Ce réfrigérateur combine un format et un espace de rangement pratiques avec les caractéristiques et les fonctionnalités les plus récentes.

Des milliers d'heures de recherche en conservation des aliments et d'expérience en réfrigération ont été programmées dans notre réfrigérateur pour vous offrir des performances optimales.

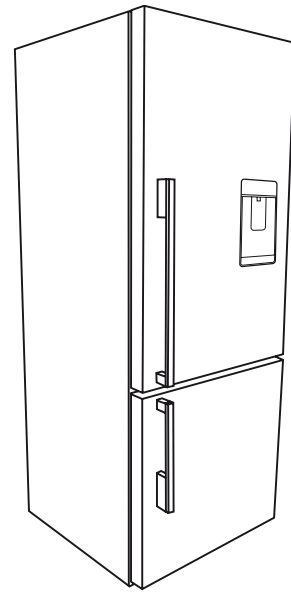
Nous espérons que vous apprécierez votre nouveau réfrigérateur.



Réfrigérateur à portes françaises  
avec congélateur-tiroir



Réfrigérateur à porte simple  
avec congélateur-tiroir



Réfrigérateur à porte simple  
avec porte de congélateur

Remarque : les modèles autres que Ice & Water ne disposent pas d'un distributeur d'eau externe.

### **⚠ MISE EN GARDE!**



#### **Risque de choc électrique**

Lisez et observez les consignes de sécurité et les mises en garde contenues dans ce guide de l'utilisateur avant d'utiliser cet appareil. Le défaut de se conformer à ces instructions peut causer la mort, un choc électrique, un incendie ou des blessures.

Utilisez uniquement ce réfrigérateur aux fins pour lesquelles il a été conçu, comme le stipule le présent guide de l'utilisateur.

## CONSIGNES DE SÉCURITÉ IMPORTANTES

### **MISE EN GARDE!**

Lors de l'utilisation de cet appareil, appliquez toujours les précautions de base, notamment :

#### **Danger**

- Cet appareil n'est pas conçu pour être utilisé par des personnes (y compris des enfants) aux capacités physiques, sensorielles ou mentales réduites, ou encore ne possédant pas l'expérience et les connaissances requises, à moins qu'une personne responsable de leur sécurité ne les supervise ou leur explique comment utiliser l'appareil.
- Les jeunes enfants doivent être supervisés afin de s'assurer qu'ils ne jouent pas avec l'appareil.
- Utilisez le support stabilisateur en vous reportant au dépliant fourni pour réduire les risques résultant de l'instabilité de l'appareil.
- Lors de l'installation de cet appareil, suivez les instructions d'installation du fabricant concernant l'espace de ventilation adéquat entre l'appareil et les armoires.
- Gardez les ouvertures de ventilation du châssis de l'appareil ou de la structure encastrée exemptes de toute obstruction.
- N'utilisez pas de dispositifs mécaniques ou d'autres moyens pour accélérer le processus de dégivrage.
- N'endommagez pas le circuit frigorifique.
- En cas de dommage au circuit frigorifique, ventilez la pièce en ouvrant toutes les fenêtres. N'utilisez aucun appareil électrique ou appareil pouvant produire des arcs, des étincelles ou des flammes dans la pièce. Communiquez immédiatement avec un agent de service autorisé de Fisher & Paykel pour prévoir une réparation.

#### **Mise au rebut**

- Pour réduire les risques de danger, soyez vigilant lors de la mise au rebut de votre ancien appareil :
  - Le gaz réfrigérant doit être vidé de façon sécuritaire.
  - Retirez les portes et laissez les tablettes en place afin d'éviter que les enfants puissent facilement pénétrer à l'intérieur.
- Votre agent de service autorisé de Fisher & Paykel est en mesure de vous renseigner sur les méthodes de mise au rebut de votre ancien réfrigérateur ou congélateur qui seront sans danger pour l'environnement.

## Nettoyage

De nombreux détergents offerts sur le marché contiennent des solvants qui peuvent endommager les composantes en plastique de votre réfrigérateur et causer des craquelures. Pour obtenir davantage de renseignements, veuillez vous reporter à la section 'Nettoyage et entretien de votre réfrigérateur'.

## Systeme électrique

- Cet appareil doit être installé conformément aux instructions d'installation avant d'être utilisé.
- Ne débranchez jamais votre réfrigérateur en tirant sur le cordon d'alimentation.
- Saisissez toujours la fiche du cordon pour le débrancher de la prise de courant.
- Ne branchez aucun autre appareil à la prise de courant servant à alimenter votre réfrigérateur et n'utilisez aucun adaptateur double ni aucune rallonge pour le brancher.
- Réparez ou remplacez immédiatement tous les cordons d'alimentation effilochés ou endommagés. N'utilisez pas de cordon d'alimentation présentant des craquelures ou des traces d'abrasion.
- Si le cordon d'alimentation est endommagé, il doit être remplacé par un agent de service autorisé de Fisher & Paykel qui dispose des outils spéciaux nécessaires.
- Lorsque vous dégagez votre appareil du mur, assurez-vous de ne pas rouler sur le cordon d'alimentation pour ne pas l'endommager.
- N'utilisez pas d'appareils électriques à l'intérieur des compartiments du réfrigérateur.
- Ne retirez pas le couvercle de compartiment arrière. Ce couvercle peut être retiré uniquement par les agents de service autorisé de Fisher & Paykel.

## IMPORTANT!

Votre réfrigérateur est conçu pour fonctionner pendant de longues années sans nécessiter de vérifications d'entretien. Toutefois, si votre réfrigérateur devait présenter un problème de fonctionnement, faites-le vérifier par un agent de service autorisé de Fisher & Paykel le plus rapidement possible. Toutes les réparations électriques doivent être effectuées par un technicien d'un centre de service ou un électricien qualifié.

## Conservation des aliments et des boissons

- NE rangez PAS de substances explosives telles que des produits en aérosol avec propulseur inflammable dans cet appareil.
- N'entrez jamais de matières volatiles ou inflammables dans votre réfrigérateur car elles pourraient exploser.
- Ne congelez jamais de liquides dans des contenants en verre. Les liquides prennent de l'expansion en gelant et risquent de provoquer l'explosion du contenant.
- Ne congelez jamais de boissons gazeuses. Elles pourraient exploser.
- Ne consommez jamais d'aliments trop froids. Les aliments sortis du congélateur peuvent être suffisamment froids pour causer des lésions au contact de la peau (ex. : glaçons).

## CONSIGNES DE SÉCURITÉ ET MISES EN GARDE

---

### **Panne d'électricité - conservation des aliments**

- **Ne recongelez pas les aliments qui sont entièrement décongelés. Ces aliments peuvent être impropres à la consommation. Observez les recommandations suivantes si vous constatez que les aliments de votre congélateur sont décongelés :**
  - **Cristaux de glace toujours visibles - les aliments peuvent être congelés de nouveau, mais ils ne doivent pas être conservés aussi longtemps que la période recommandée.**
  - **Aliments décongelés, mais réfrigérateur encore froid - il n'est habituellement pas recommandé de congeler ces aliments de nouveau. Les fruits et certains aliments cuits peuvent être congelés de nouveau, mais pour un laps de temps très court. Viande, poisson et volaille - consommez immédiatement ces aliments, ou faites-les cuire et congelez-les de nouveau. Légumes - jetez ces aliments car ils ramollissent et sont généralement détremés.**
  - **Aliments décongelés et température supérieure à 41 °F (5 °C) - jetez tous les aliments.**

### **CONSERVEZ CES INSTRUCTIONS**

Veillez suivre les étapes de la procédure d'installation ci-dessous afin d'assurer le fonctionnement adéquat de votre appareil.

## 1. Alimentation

- L'appareil doit être installé de façon à ce que la fiche du cordon d'alimentation soit accessible.
- Pour éviter d'éteindre l'appareil accidentellement, branchez votre réfrigérateur à sa propre prise de courant. Ne branchez aucun autre appareil à cette prise de courant et n'utilisez aucun adaptateur double ni aucune rallonge, car le poids de deux cordons d'alimentation pourrait débrancher l'adaptateur double de la prise de courant.
- Pour connaître la tension d'alimentation requise, reportez-vous à l'information inscrite sur la plaque signalétique située dans le coin inférieur droit à l'avant du réfrigérateur (lorsque la porte est ouverte).
- Il est impératif que l'appareil soit correctement mis à la terre.

## 2. Emplacement

Votre réfrigérateur ne doit pas être exposé directement aux rayons du soleil ni être situé à proximité d'un appareil générant de la chaleur comme une cuisinière, un four ou un lave-vaisselle.

## 3. Eau et glaçons (modèles Ice & Water uniquement)

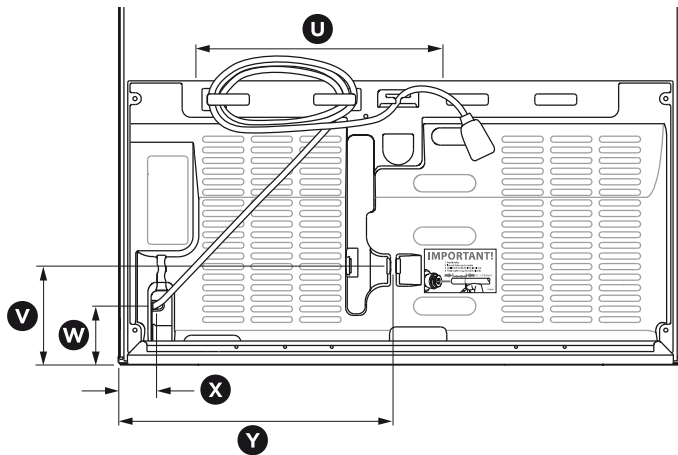
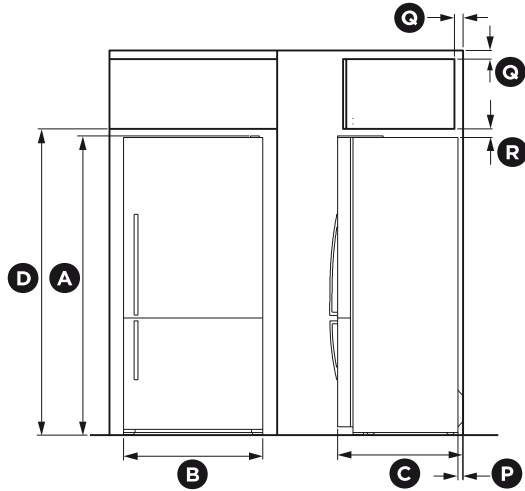
- Votre réfrigérateur Ice & Water doit être installé par un plombier qualifié ou un agent de service autorisé de Fisher & Paykel car un raccordement de plomberie incorrect pourrait entraîner des fuites d'eau.
- Fisher & Paykel Appliances n'assume aucune responsabilité pour les dommages (y compris les dommages causés par l'eau) provoqués par une installation ou un raccordement de plomberie incorrect.

# INSTRUCTIONS D'INSTALLATION

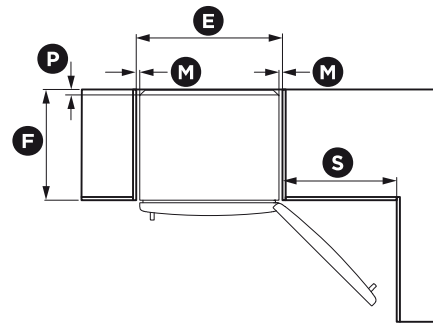
## Dimensions du produit et meuble d'encastrement

### 4. Modèles avec porte de congélateur (RF135B, E522B) (modèles Ice & Water et autres)

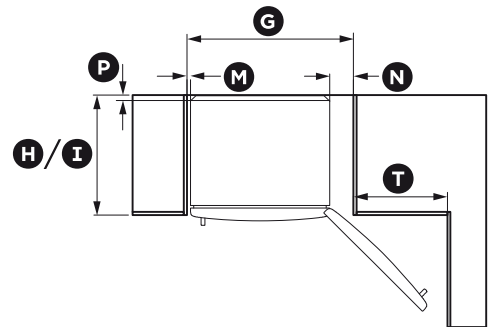
Si vous souhaitez encastrer votre réfrigérateur, veuillez suivre les instructions d'installation fournies avec les ensembles d'encastrement.



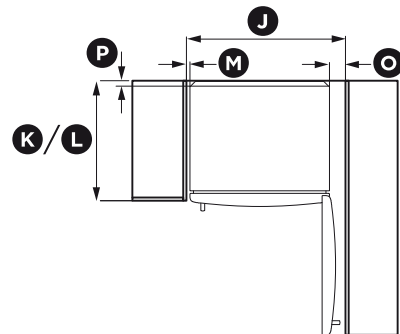
Dimensions des connexions en eau et 110VAC



Châssis du réfrigérateur au même niveau que l'armoire - ouverture complète de la porte



Porte du réfrigérateur au même niveau que l'armoire - ouverture complète de la porte



Porte du réfrigérateur au même niveau que l'armoire - ouverture de la porte à 90°

DIMENSIONS DU PRODUIT	RF135B		E522B	
	po	mm	po	mm
(A) Hauteur hors tout du produit avec porte plate	67 <sup>17</sup> / <sub>32</sub>	1 715	67 <sup>17</sup> / <sub>32</sub>	1 715
(A) Hauteur hors tout du produit avec porte courbée	-	-	66 <sup>15</sup> / <sub>16</sub>	1 700
(A) Hauteur hors tout du produit Ice & Water avec porte courbée	-	-	67 <sup>1</sup> / <sub>8</sub>	1 705
(B) Largeur hors tout du produit	25	635	31 <sup>3</sup> / <sub>32</sub>	790
(C) Profondeur hors tout du produit avec porte plate (excluant la poignée, incluant le couvercle de compartiment arrière)	27 <sup>3</sup> / <sub>8</sub>	695	27 <sup>3</sup> / <sub>8</sub>	695
(C) Profondeur hors tout du produit avec porte courbée (excluant la poignée, incluant le couvercle de compartiment arrière)	-	-	28 <sup>5</sup> / <sub>32</sub>	715

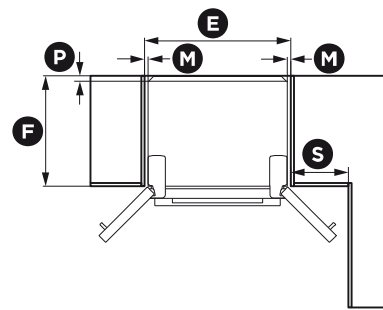
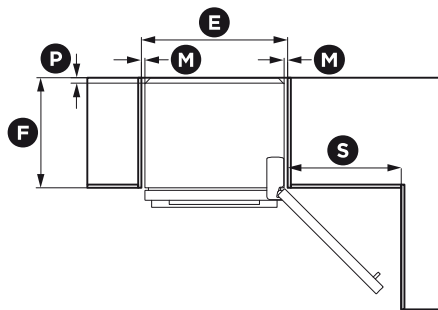
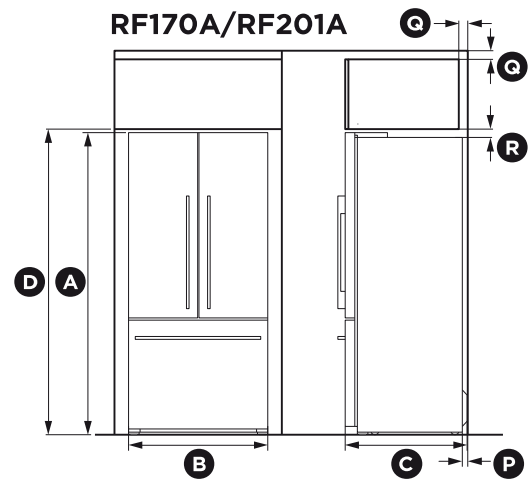
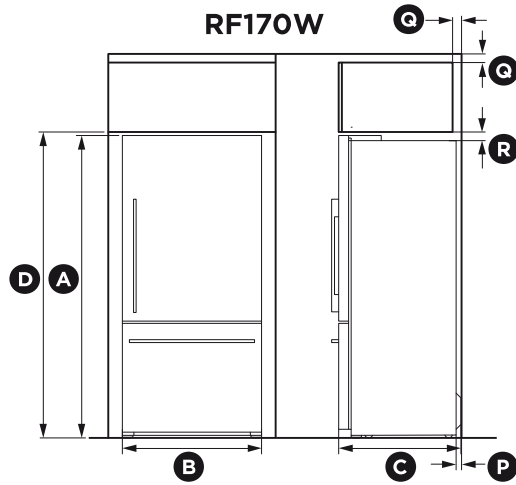
DIMENSIONS D'ENCASTREMENT (incluant le dégagement minimal)	RF135B		E522B	
	po	mm	po	mm
Ⓓ Hauteur intérieure de la cavité	68 <sup>5</sup> / <sub>16</sub>	1 735	68 <sup>5</sup> / <sub>16</sub>	1 735
<b>Châssis du réfrigérateur au même niveau que l'armoire - ouverture complète de la porte</b>				
Ⓔ Largeur intérieure	26 <sup>9</sup> / <sub>16</sub>	675	32 <sup>1</sup> / <sub>16</sub>	830
Ⓕ Profondeur intérieure	24 <sup>13</sup> / <sub>32</sub>	620	24 <sup>13</sup> / <sub>32</sub>	620
<b>Porte du réfrigérateur au même niveau que l'armoire - ouverture complète de la porte</b>				
Ⓖ Largeur intérieure	31 <sup>3</sup> / <sub>32</sub>	790	37 <sup>7</sup> / <sub>32</sub>	945
Ⓗ Profondeur intérieure, au même niveau que la porte courbée	-	-	26 <sup>25</sup> / <sub>32</sub>	680
Ⓘ Profondeur intérieure, au même niveau que la porte plate	27 <sup>3</sup> / <sub>8</sub>	695	27 <sup>3</sup> / <sub>8</sub>	695
<b>Porte du réfrigérateur au même niveau que l'armoire - ouverture de la porte à 90° (pour un accès complet au tiroir et à la tablette, les portes doivent être ouvertes à plus de 90°)</b>				
Ⓙ Largeur intérieure	29 <sup>1</sup> / <sub>32</sub>	745	35 <sup>7</sup> / <sub>16</sub>	900
Ⓚ Profondeur intérieure, au même niveau que la porte courbée	-	-	26 <sup>25</sup> / <sub>32</sub>	680
Ⓛ Profondeur intérieure, au même niveau que la porte plate	27 <sup>3</sup> / <sub>8</sub>	695	27 <sup>3</sup> / <sub>8</sub>	695
<b>DÉGAGEMENT MINIMAL</b>				
Ⓜ Dégagement latéral	2 <sup>5</sup> / <sub>32</sub>	20	2 <sup>5</sup> / <sub>32</sub>	20
Ⓝ Dégagement latéral - côté charnière au même niveau que la porte - ouverture complète	5 <sup>5</sup> / <sub>16</sub>	135	5 <sup>5</sup> / <sub>16</sub>	135
Ⓞ Dégagement latéral - côté charnière au même niveau que la porte - ouverture à 90°	3 <sup>17</sup> / <sub>32</sub>	90	3 <sup>17</sup> / <sub>32</sub>	90
Ⓟ Dégagement arrière (incluant le couvercle de compartiment arrière)	1 <sup>3</sup> / <sub>16</sub>	30	1 <sup>3</sup> / <sub>16</sub>	30
Ⓠ Ouverture d'aération - près de la partie supérieure de l'armoire (en option)	1 <sup>3</sup> / <sub>32</sub>	50	1 <sup>3</sup> / <sub>32</sub>	50
Ⓡ Dégagement au-dessus - au-dessus du châssis du réfrigérateur	1 <sup>3</sup> / <sub>32</sub>	50	1 <sup>3</sup> / <sub>32</sub>	50
Ⓢ Dégagement de la porte - côté charnière au même niveau que le châssis - ouverture complète	20 <sup>15</sup> / <sub>32</sub>	520	25 <sup>13</sup> / <sub>32</sub>	645
Ⓣ Dégagement de la porte - côté charnière au même niveau que la porte - ouverture complète	15 <sup>15</sup> / <sub>16</sub>	405	20 <sup>7</sup> / <sub>8</sub>	530
<b>DIMENSIONS DES CONNEXIONS EN EAU ET 110VAC</b>				
Ⓤ Câble de raccordement électrique	40	1 016	40	1 016
Ⓥ Connexion au réseau d'eau au dessous	5	127	5	127
Ⓦ 110VAC au dessous	3	76	3	76
Ⓧ 110VAC au coté	2	51	2	51
Ⓨ Connexion au réseau d'eau au coté	13	330	16	406

Remarque : ces illustrations et dimensions s'appliquent également aux modèles Ice & Water.

# INSTRUCTIONS D'INSTALLATION

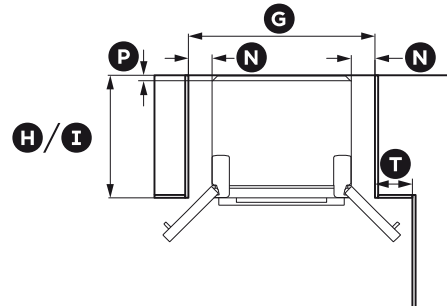
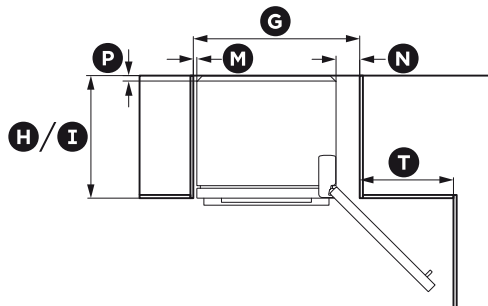
## Dimensions du produit et meuble d'encastrement

### 5. Modèles avec congélateur-tiroir (RF170W, RF170A, RF201A) (modèles Ice & Water et autres)



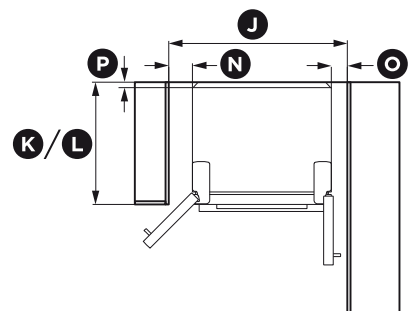
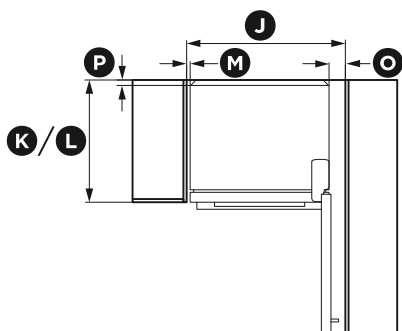
Châssis du réfrigérateur au même niveau que l'armoire - ouverture complète de la porte

Châssis du réfrigérateur au même niveau que l'armoire - ouverture complète de la porte



Porte du réfrigérateur au même niveau que l'armoire - ouverture complète de la porte

Porte du réfrigérateur au même niveau que l'armoire - ouverture complète de la porte



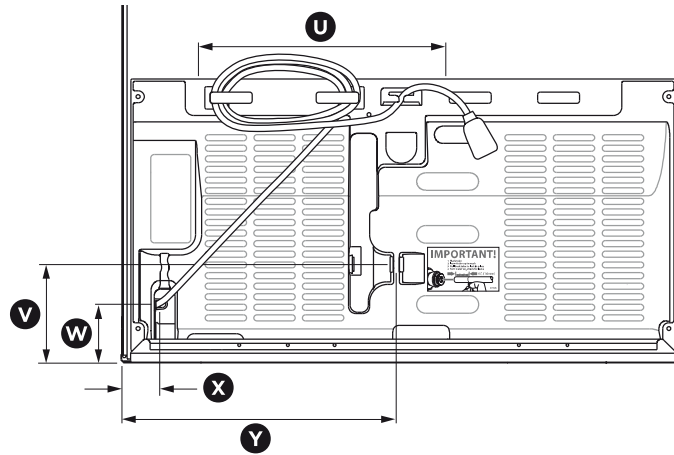
Porte du réfrigérateur au même niveau que l'armoire - ouverture de la porte à 90°

Porte du réfrigérateur au même niveau que l'armoire - ouverture de la porte à 90°

DIMENSIONS DU PRODUIT	RF170W		RF170A		RF201A	
	po	mm	po	mm	po	mm
(A) Hauteur hors tout du produit	67 <sup>17</sup> / <sub>32</sub>	1 715	67 <sup>17</sup> / <sub>32</sub>	1 715	70 <sup>15</sup> / <sub>32</sub>	1 790
(B) Largeur hors tout du produit	31 <sup>3</sup> / <sub>32</sub>	790	31 <sup>3</sup> / <sub>32</sub>	790	35 <sup>7</sup> / <sub>16</sub>	900
(C) Profondeur hors tout du produit (excluant la poignée, incluant le couvercle de compartiment arrière)	27 <sup>3</sup> / <sub>8</sub>	695	27 <sup>3</sup> / <sub>8</sub>	695	27 <sup>3</sup> / <sub>8</sub>	695
<b>DIMENSIONS D'ENCASTREMENT (incluant le dégagement minimal)</b>						
(D) Hauteur intérieure de la cavité	68 <sup>5</sup> / <sub>16</sub>	1 735	68 <sup>5</sup> / <sub>16</sub>	1 735	71 <sup>1</sup> / <sub>4</sub>	1 810
<b>Châssis du réfrigérateur au même niveau que l'armoire - ouverture complète de la porte</b>						
(E) Largeur intérieure	32 <sup>11</sup> / <sub>16</sub>	830	32 <sup>11</sup> / <sub>16</sub>	830	37	940
(F) Profondeur intérieure	24 <sup>13</sup> / <sub>32</sub>	620	24 <sup>13</sup> / <sub>32</sub>	620	24 <sup>13</sup> / <sub>32</sub>	620
<b>Porte du réfrigérateur au même niveau que l'armoire - ouverture complète de la porte</b>						
(G) Largeur intérieure	37 <sup>7</sup> / <sub>32</sub>	945	41 <sup>23</sup> / <sub>32</sub>	1 060	46 <sup>1</sup> / <sub>16</sub>	1 170
(H) Profondeur intérieure, au même niveau que la porte courbée	-	-	-	-	-	-
(I) Profondeur intérieure, au même niveau que la porte plate	27 <sup>3</sup> / <sub>8</sub>	695	27 <sup>3</sup> / <sub>8</sub>	695	27 <sup>3</sup> / <sub>8</sub>	695
<b>Porte du réfrigérateur au même niveau que l'armoire - ouverture de la porte à 90° (pour un accès complet au tiroir et à la tablette, les portes doivent être ouvertes à plus de 90°)</b>						
(J) Largeur intérieure	35 <sup>7</sup> / <sub>16</sub>	900	39 <sup>3</sup> / <sub>32</sub>	1 015	44 <sup>9</sup> / <sub>32</sub>	1 125
(K) Profondeur intérieure, au même niveau que la porte courbée	-	-	-	-	-	-
(L) Profondeur intérieure, au même niveau que la porte plate	27 <sup>3</sup> / <sub>8</sub>	695	27 <sup>3</sup> / <sub>8</sub>	695	27 <sup>3</sup> / <sub>8</sub>	695
<b>DÉGAGEMENT MINIMAL</b>						
(M) Dégagement latéral	2 <sup>5</sup> / <sub>32</sub>	20	2 <sup>5</sup> / <sub>32</sub>	20	2 <sup>5</sup> / <sub>32</sub>	20
(N) Dégagement latéral - côté charnière au même niveau que la porte - ouverture complète	5 <sup>5</sup> / <sub>16</sub>	135	5 <sup>5</sup> / <sub>16</sub>	135	5 <sup>5</sup> / <sub>16</sub>	135
(O) Dégagement latéral - côté charnière au même niveau que la porte - ouverture à 90°	3 <sup>17</sup> / <sub>32</sub>	90	3 <sup>17</sup> / <sub>32</sub>	90	3 <sup>17</sup> / <sub>32</sub>	90
(P) Dégagement arrière (incluant le couvercle de compartiment arrière)	1 <sup>3</sup> / <sub>16</sub>	30	1 <sup>3</sup> / <sub>16</sub>	30	1 <sup>3</sup> / <sub>16</sub>	30
(Q) Ouverture d'aération - près de la partie supérieure de l'armoire (en option)	1 <sup>31</sup> / <sub>32</sub>	50	1 <sup>31</sup> / <sub>32</sub>	50	1 <sup>31</sup> / <sub>32</sub>	50
(R) Dégagement au-dessus - au-dessus du châssis du réfrigérateur	1 <sup>31</sup> / <sub>32</sub>	50	1 <sup>31</sup> / <sub>32</sub>	50	1 <sup>31</sup> / <sub>32</sub>	50
(S) Dégagement de la porte - côté charnière au même niveau que le châssis - ouverture complète	25 <sup>13</sup> / <sub>32</sub>	645	12 <sup>25</sup> / <sub>32</sub>	325	14 <sup>3</sup> / <sub>8</sub>	365
(T) Dégagement de la porte - côté charnière au même niveau que la porte - ouverture complète	20 <sup>7</sup> / <sub>8</sub>	530	8 <sup>9</sup> / <sub>32</sub>	210	9 <sup>27</sup> / <sub>32</sub>	250

Remarque : ces illustrations et dimensions s'appliquent également aux modèles Ice & Water.

# INSTRUCTIONS D'INSTALLATION



Dimensions des connexions en eau et 110VAC

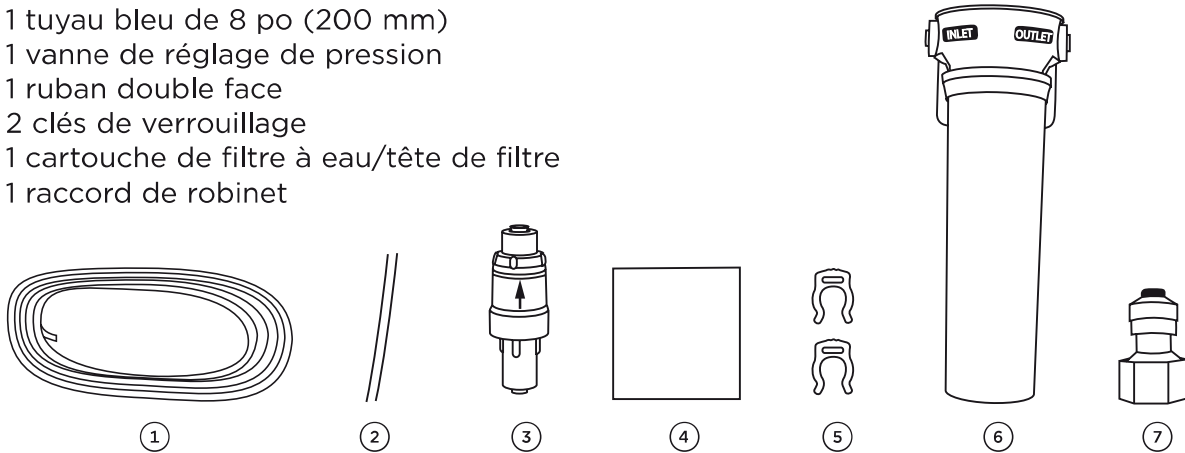
DIMENSIONS DES CONNEXIONS EN EAU ET 110VAC	RF170W		RF170A		RF201A	
	po	mm	po	mm	po	mm
Ⓢ Câble de raccordement électrique	40	1 016	40	1 016	40	1 016
Ⓥ Connexion au réseau d'eau au dessous	5	127	5	127	5	127
Ⓦ 110VAC au dessous	3	76	3	76	3	76
Ⓧ 110VAC au coté	2	51	2	51	2	51
Ⓨ Connexion au réseau d'eau au coté	16	406	16	406	18	457

Remarque : ces illustrations et dimensions s'appliquent également aux modèles Ice & Water.

## 6. Raccordement de l'alimentation en eau (modèles Ice & Water uniquement)

### Contenu de l'ensemble de filtre

- ① Tuyau blanc de ¼ po (6 mm), de 13 pi (4 m) de long
- ② 1 tuyau bleu de 8 po (200 mm)
- ③ 1 vanne de réglage de pression
- ④ 1 ruban double face
- ⑤ 2 clés de verrouillage
- ⑥ 1 cartouche de filtre à eau/tête de filtre
- ⑦ 1 raccord de robinet



### IMPORTANT!

- Il est impératif d'installer la vanne de réglage de pression avant le filtre. Si la vanne de réglage de pression n'est pas installée sur la conduite de raccordement, les fonctionnalités de votre réfrigérateur Ice & Water risquent de ne pas fonctionner dans certaines circonstances.
- Le raccordement de la conduite d'eau à votre réfrigérateur Ice & Water doit être effectué par un plombier qualifié ou un agent de service autorisé de Fisher & Paykel.
- Les instructions de raccordement de la conduite d'eau présentées ci-dessous sont destinées uniquement à un installateur professionnel.
- Les tuyaux neufs compris avec votre réfrigérateur doivent être utilisés; les tuyaux des anciens réfrigérateurs Ice & Water ne doivent pas être utilisés.

### PRÉCAUTIONS/MISES EN GARDE POUR L'INSTALLATION

- N'UTILISEZ PAS de l'eau impropre à la consommation ou dont la qualité est inconnue sans utiliser un système de désinfection adéquat avant ou après le filtre.
- MISE EN GARDE- raccordez les conduites à un système d'alimentation en eau potable seulement.
- NE RACCORDEZ PAS la conduite à un système d'alimentation dont la pression est supérieure à 119 psi (827 kPa) ou inférieure à 22 psi (150 kPa).
- N'UTILISEZ PAS une conduite d'eau chaude (max. 100 °F [38 °C]).
- NE COUPEZ PAS les tuyaux à une longueur inférieure à 8 po (200 mm).
- N'INSTALLEZ PAS cet appareil à proximité de fils électriques ou de conduites d'eau qui risqueraient d'être perforés lors de l'installation du système de filtration.
- N'INSTALLEZ PAS le filtre à un endroit où il pourrait être percuté par un autre objet tel qu'une poubelle, etc.
- N'INSTALLEZ PAS le filtre ou un tuyau de raccordement en eau à un endroit exposé directement aux rayons du soleil car l'exposition prolongée au soleil peut compromettre l'intégrité des composantes en plastique.
- N'INSTALLEZ PAS l'appareil à un endroit soumis à des températures sous le point de congélation pour éviter d'endommager le boîtier.
- NE VISSEZ PAS le filtre au réfrigérateur.
- N'INSTALLEZ PAS le filtre ou un tuyau de raccordement en eau dans les endroits où la température est élevée, par exemple dans une cavité du plafond.
- ÉVITEZ la contamination des conduites pendant l'installation.
- N'UTILISEZ PAS de tuyau en cuivre. Le tuyau en plastique fourni doit toujours être utilisé.
- NE DISTRIBUEZ PAS de l'eau de façon continue pendant plus de 2 minutes.

# INSTRUCTIONS D'INSTALLATION

## Instructions d'installation :

- ① Assurez-vous que le réfrigérateur n'est PAS raccordé à une prise d'alimentation.
- ② Trouvez une conduite d'alimentation en eau froide permettant d'effectuer un raccordement. Le raccord en T et la garniture ne sont pas fournis.
- ③ Raccordez le tuyau bleu de 8 po (200 mm) à la sortie de la vanne de réglage de pression (collier de serrage bleu) et au raccord d'entrée de la cartouche de filtre à eau, comme le montre le schéma 1. Tirez légèrement sur les deux extrémités pour vous assurer que le tuyau est fixé solidement.
- ④ Raccordez le tuyau blanc de ¼ po (6 mm) à la sortie de la cartouche de filtre à eau, comme le montre le schéma 2. Tirez légèrement sur le tuyau pour vous assurer qu'il est fixé solidement.
- ⑤ Mesurez la longueur de tuyau requise depuis la vanne de réglage de pression jusqu'au point de raccordement de la conduite d'eau (minimum 10 po (250 mm)).
- ⑥ Coupez le tuyau en vous assurant que les extrémités sont droites et propres.
- ⑦ Raccordez le tuyau au raccord de robinet et à la base de la vanne de réglage de pression (collier de serrage blanc), puis au robinet, comme le montre le schéma 3. Veuillez noter que le raccord de robinet compris dans l'ensemble convient à la plupart des installations.
- ⑧ Insérez une clé de verrouillage à chaque extrémité de la cartouche de filtre à eau (entre la cartouche et le collier de serrage), comme le montre le schéma 4.
- ⑨ Pour purger le filtre à eau afin d'éliminer l'air emprisonné et les fibres de carbone inoffensives tout en vérifiant la présence de fuites, placez l'extrémité du tuyau dans un seau, ouvrez le robinet d'isolement, puis laissez couler au moins 10 litres d'eau. Après la vérification, fermez le robinet d'isolement.
- ⑩ Repérez l'endroit où vous souhaitez installer le filtre à eau en observant les points suivants :
  - Il est recommandé d'installer le filtre à la verticale, avec la tête du filtre orientée vers le haut. De cette façon, vous éviterez les fuites lors du remplacement du filtre.
  - Assurez-vous d'installer le filtre à un endroit accessible, car vous devez le remplacer à tous les 6 mois. Nous vous suggérons d'installer le filtre à proximité du robinet d'arrivée du filtre à eau, dans une armoire près du réfrigérateur.
  - Un dégagement d'au moins 2 ½ po (64 mm) sous la cartouche de filtre est nécessaire pour permettre le remplacement de la cartouche.
  - Ne vissez pas le filtre à eau au réfrigérateur.

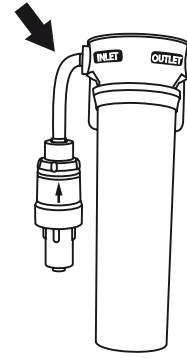


Schéma 1  
Raccordement de la vanne de réglage de pression

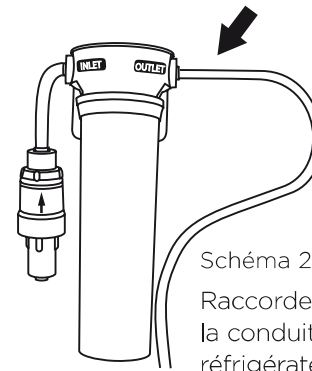


Schéma 2  
Raccordement de la conduite d'eau au réfrigérateur

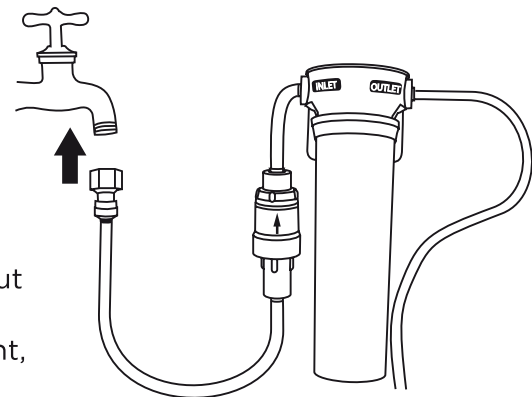


Schéma 3  
Raccordement du robinet

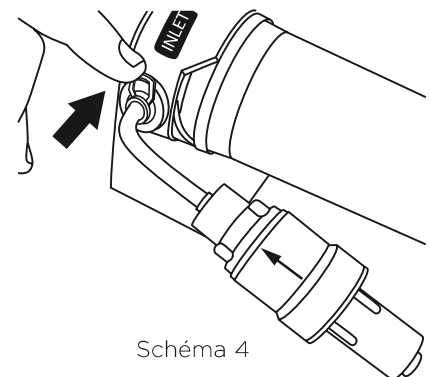


Schéma 4  
Clé de verrouillage

- ⑪ Fixez la mousse double face à la partie arrière de la tête du filtre à eau, comme le montre le schéma 5. Inscrivez la date de remplacement du filtre (date de l'installation + 6 mois). Retirez l'endos de la mousse double face et fixez le filtre à la position souhaitée, puis utilisez les vis fournies pour renforcer l'installation du filtre à l'emplacement sélectionné à l'étape 10 (reportez-vous à la page précédente).
- ⑫ Acheminez le tuyau de  $\frac{1}{4}$  po (6 mm) à l'arrière du réfrigérateur en vous assurant de laisser une longueur de tuyau suffisante pour pouvoir avancer le réfrigérateur lors des travaux d'entretien.
- ⑬ Utilisez le guide de mesure situé sur le couvercle de compartiment arrière, comme le montre le schéma 6. Tracez un trait à  $\frac{5}{8}$  po (16 mm) de l'extrémité du tuyau, comme le montre le schéma 7.
- ⑭ Insérez la section de tuyau marquée à  $\frac{5}{8}$  po (16 mm) dans l'orifice d'entrée d'eau (solénoïde) jusqu'au trait, comme le montre le schéma 8.
- ⑮ Tirez légèrement sur le tuyau pour vous assurer qu'il est fixé solidement, comme le montre le schéma 9.
- ⑯ L'installation terminée est illustrée dans le schéma 11 de la page 70.
- ⑰ Ouvrez le robinet d'isolement et vérifiez que tous les raccordements sont secs et exempts de fuites.
- ⑱ Enroulez le tuyau d'alimentation en eau derrière le réfrigérateur. Remplacez votre réfrigérateur contre le mur en prenant soin de ne pas entortiller ni écraser le tuyau raccordé dans l'orifice d'entrée d'eau (solénoïde).
- ⑲ Lisez attentivement les pages 70 - 71, puis mettez le réfrigérateur en marche.

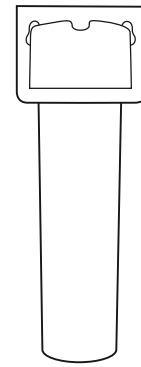


Schéma 5  
Fixation avec  
mousse double face

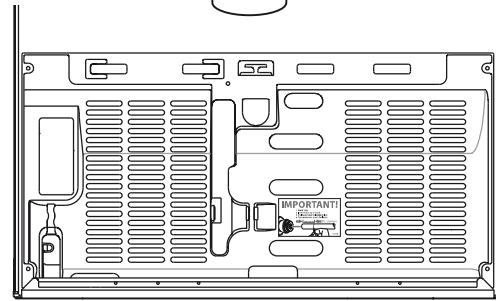


Schéma 6

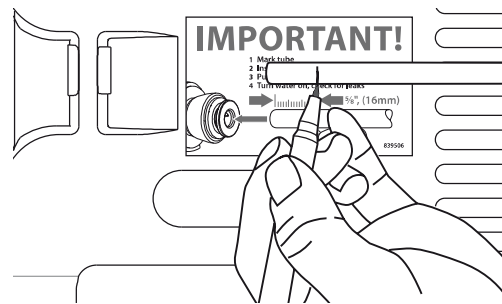


Schéma 7

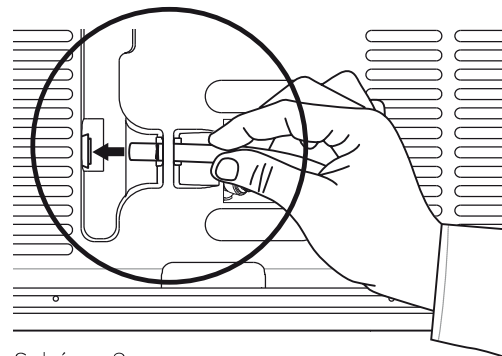


Schéma 8

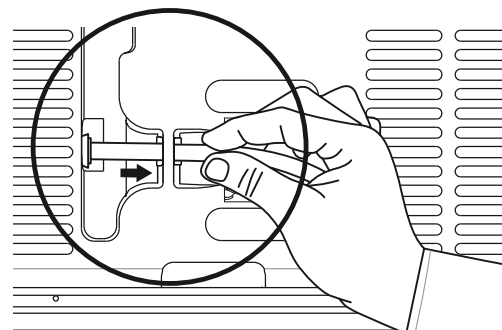


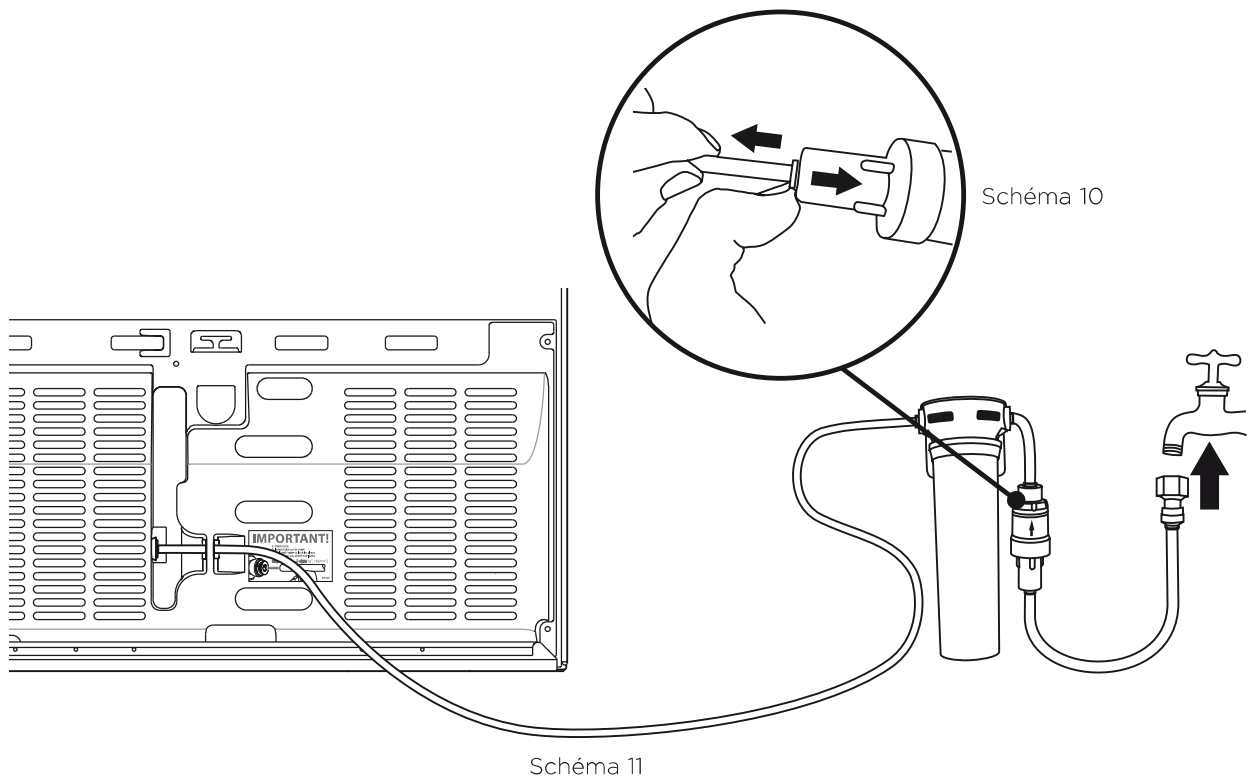
Schéma 9

Raccordement de la conduite d'eau au réfrigérateur

# INSTRUCTIONS D'INSTALLATION

## IMPORTANT!

- Tous les raccordements doivent être vérifiés pour éviter les fuites.
- Assurez-vous que le tuyau blanc de ¼ po (6 mm) est à bonne distance des objets tranchants, des coins prononcés (évitiez de l'entortiller pour ne pas compromettre le débit d'eau) et du compartiment arrière du réfrigérateur, en veillant à ce qu'il soit positionné de façon à ne pas être entortillé ni écrasé.
- Assurez-vous que les raccords rapides sont bien en place. Le tuyau doit s'insérer de 5/8 po (16 mm) avant d'atteindre la butée.
- Si le tuyau est retiré, recoupez-le et réinsérez-le dans le raccord rapide. Le tuyau doit être inséré à fond pour prévenir les fuites.
- Pour retirer le tuyau des points de raccordement, fermez d'abord le robinet d'isolement. Appuyez doucement sur la plaque du distributeur à quelques reprises en utilisant un verre ou un contenant pour éliminer la pression statique du conduit. Appuyez fermement sur le collet tout en tirant simultanément sur le tuyau, comme le montre le schéma 10.








Raccordement au système d'alimentation en eau

Système testé et certifié par la NSF International en vertu de la norme NSF/ANSI 53 portant sur la réduction de l'amiante, de l'atrazine, du benzène, des spores, du carbofurane, du plomb, du lindane, du mercure, du para-dichlorobenzène, du toxaphène et de la turbidité; et en vertu de la norme NSF/ANSI 42 portant sur la réduction du goût et de l'odeur du chlore et des particules de grosseurs nominales de catégorie I à 2 838 litres (750 gallons).

**Avant d'utiliser votre réfrigérateur Ice & Water**

- Assurez-vous que le réfrigérateur est en marche.
- Assurez-vous que le robinet d'isolement a été raccordé et qu'il est ouvert.
- Utilisez le distributeur pour faire couler 3 pintes (3 litres) d'eau en arrêtant le débit de façon intermittente pour évacuer l'air emprisonné dans le système, puis jetez l'eau. Le non-respect de cette procédure entraînera un égouttement excessif de votre distributeur.

Remarque : un délai de 1 à 2 minutes est nécessaire pour que le réservoir se remplisse.

- Mettez l'appareil à glaçons en marche en appuyant sur la touche . Le témoin au-dessus de la touche  s'allume lorsque l'appareil à glaçons est en marche.
- Maintenez les touches ,  et  enfoncées simultanément pendant 4 secondes, puis fermez la porte du compartiment réfrigérateur pour activer un cycle de l'appareil à glaçons. Le plateau à glaçons se retournera à deux reprises. Répétez cette étape pour activer un autre cycle de l'appareil à glaçons. Le plateau à glaçons se retournera à deux reprises et l'eau sera déversée dans le bac à glaçons. Videz l'eau, séchez le bac et remettez-le en place. Veuillez noter que le bac à glaçons se retourne uniquement lorsque la porte du compartiment réfrigérateur est fermée.
- Laissez refroidir votre réfrigérateur pendant au moins 2 heures avant de l'utiliser.
- Veuillez jeter les 3 premiers lots de glaçons produits (8 glaçons par lot).

Vous pouvez maintenant profiter de l'eau et des glaçons de votre réfrigérateur ActiveSmart™.



Distributeur d'eau

Veuillez noter qu'au cours des jours suivant l'installation, quelques gouttes peuvent s'écouler du distributeur lors de l'évacuation de l'air emprisonné.

## 7. Installation (tous les modèles)

Votre réfrigérateur ActiveSmart™ de Fisher & Paykel est muni de roulettes avant et arrière qui facilitent le déplacement de l'appareil vers l'avant et l'arrière.

Évitez de déplacer l'appareil latéralement pour ne pas endommager les roulettes ou le revêtement/la surface du plancher.

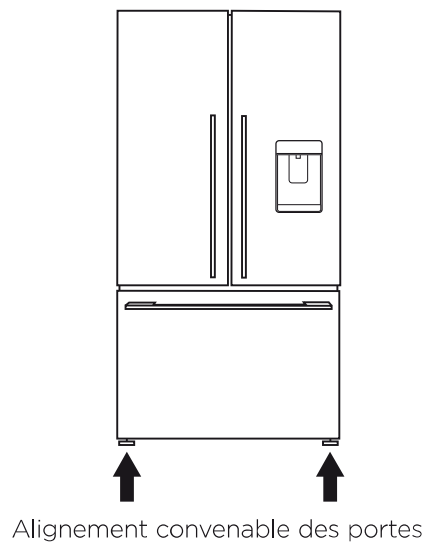
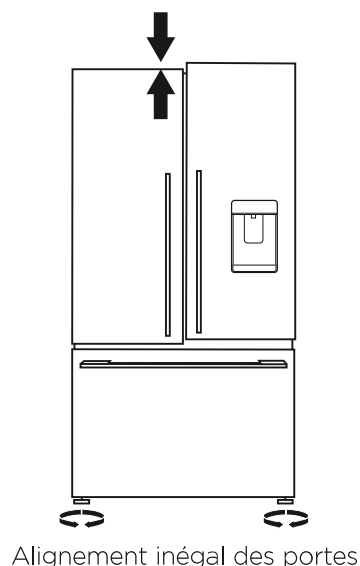
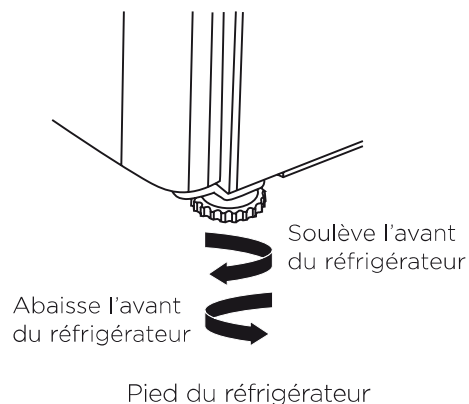
- Ⓐ Votre réfrigérateur est livré avec les pieds avant entièrement relevés pour faciliter le déplacement de l'appareil vers son emplacement.
- Ⓑ Faites rouler le réfrigérateur vers son emplacement en vous assurant que le dégagement est adéquat entre l'appareil et les armoires adjacentes. Vérifiez les mesures de dégagement minimal dans le tableau des dimensions d'encastrement.
- Ⓒ Dévissez les pieds avant jusqu'à ce que le réfrigérateur soit incliné vers l'arrière, avec la partie avant environ ½ po (10 mm) plus haute que la partie arrière. Il sera ainsi plus facile de fermer la porte.

### (Modèles sans portes françaises uniquement)

- Ⓓ Alignement de votre réfrigérateur avec la section d'encastrement.
  - Alignez les côtés du réfrigérateur avec la section d'encastrement en ajustant le pied avant du côté charnière du réfrigérateur.
  - Ajustez le pied du côté de la poignée jusqu'à ce qu'il repose au sol et supporte une petite partie du poids.
  - Une fois le réfrigérateur en place et aligné avec les armoires ou l'alcôve, poussez doucement sur le haut de l'appareil pour en vérifier la stabilité.

## 8. Mise à niveau des portes du réfrigérateur (Modèles à portes françaises uniquement)

- Sur les surfaces inégales, vous pouvez utiliser les pieds avant pour aligner les 2 portes.
- Si la porte gauche est trop basse, dévissez le pied avant pour relever l'appareil jusqu'à ce que les deux parties supérieures des portes soient alignées.
- Si la porte droite est trop basse, procédez de la même façon pour ajuster le pied droit.

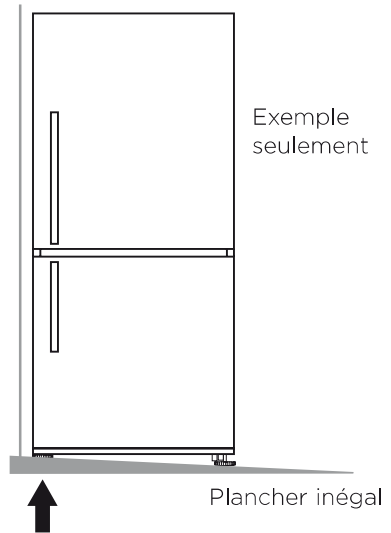


### 9. Que faire si votre appareil est instable

- Ⓐ Poussez légèrement le réfrigérateur vers l'arrière jusqu'à ce que les roulettes arrière reposent au sol.
- Mesurez l'espace sous le pied avant qui ne repose pas au sol.
  - Insérez une pièce de remplissage solide (bois, plastique, etc.) pour combler l'espace sous le pied.

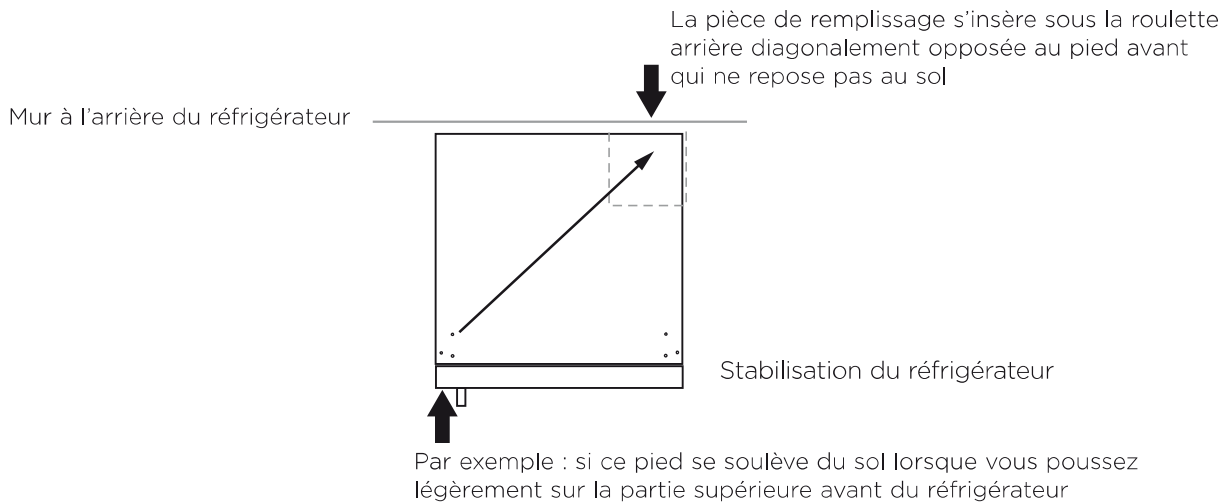
Remarque : n'utilisez pas de pièces métalliques qui pourraient se corroder, tacher et/ou endommager le revêtement de plancher.

- Ⓑ Relevez les deux pieds avant et déplacez le réfrigérateur de sa position.
- Placez la pièce de remplissage sur l'emplacement diagonalement opposé à la roue avant qui ne repose pas au sol.
  - Assurez-vous que la pièce de remplissage demeure en place lorsque le réfrigérateur est remis en position.
  - Idéalement, la pièce doit être suffisamment grande pour reposer contre le mur arrière, de façon à ce qu'elle ne puisse pas se déplacer lorsque le réfrigérateur est remis en position.



Ce pied se soulève du sol lorsque la partie supérieure avant du réfrigérateur est poussée doucement vers l'arrière

Réfrigérateur instable



- Ⓒ Faites rouler le réfrigérateur sur son emplacement et réglez les roulettes avant de la façon indiquée à l'étape 7 Ⓒ. (Vérifiez le niveau et le bon fonctionnement des portes.)
- Réglez les pieds avant au besoin.
  - Assurez-vous que l'appareil est stable (les quatre pieds reposent au sol). Si ce n'est pas le cas, répétez les étapes 9 Ⓐ et 9 Ⓑ.

# INSTRUCTIONS D'INSTALLATION

## **Avant de placer des aliments dans le compartiment réfrigérateur ou congélateur**

- Retirez tous les emballages internes. Assurez-vous de retirer toutes les attaches de transport du réfrigérateur. Ces petites butées en caoutchouc sont situées sur la partie arrière des tablettes.
- Nettoyez l'intérieur de l'appareil à l'aide d'un chiffon doux et d'une solution d'eau tiède avec une petite quantité de détergent liquide pour faire disparaître les saletés amassées lors de la fabrication et du transport.
- Laissez le réfrigérateur et le congélateur fonctionner à vide pendant 2 – 3 heures afin de permettre aux compartiments d'atteindre une température adéquate.
- L'appareil peut dégager une odeur lors de la première utilisation, mais cette odeur se dissipera lorsque le réfrigérateur et le congélateur auront suffisamment refroidis.

## **Efficacité énergétique**

### **Pour optimiser l'efficacité énergétique de votre appareil :**

- Veillez à ce que votre réfrigérateur bénéficie d'une ventilation suffisante.
- Ne couvrez pas le réfrigérateur de matériaux qui pourraient empêcher l'air de circuler autour de l'appareil.
- Assurez-vous de passer l'aspirateur autour de l'appareil pour nettoyer la poussière et l'accumulation possible de poils d'animaux. Veillez également à ce que l'appareil et les armoires soient exempts de poussière en les essuyant à l'aide d'un chiffon sec et non pelucheux (reportez-vous à la section – Nettoyage et entretien de votre réfrigérateur : Couvercle de compartiment arrière).
- Laissez un dégagement suffisant devant les sorties d'air à l'intérieur de l'appareil afin de permettre une distribution optimale de l'air froid.
- Laissez refroidir les aliments chauds avant de les ranger dans le réfrigérateur.
- Ne remplissez pas les compartiments de façon excessive.
- Évitez d'ouvrir la porte inutilement.
- Sélectionnez un réglage de température qui n'est pas trop froid.
- Vérifiez si les joints de porte présentent des fuites.

Si votre réfrigérateur devait s'éteindre pour une raison quelconque, attendez 10 minutes avant de le remettre en marche. Cela permet d'équilibrer les pressions du système de réfrigération avant la remise en marche.

### **Déplacement de votre réfrigérateur**

- Éteignez l'appareil et débranchez-le de la prise de courant. Retirez tous les aliments.
- Tournez les pieds réglables complètement vers la droite.
- Dégagez le réfrigérateur de sa position. Rangez le cordon d'alimentation, puis appliquez du ruban adhésif pour maintenir les tablettes en place et les portes fermées. Si l'appareil doit être incliné ou déposé au sol, déposez-le lentement sur le côté (sur le côté droit lorsque l'appareil est vu de l'avant).
- Placez l'appareil à l'endroit souhaité et réinstallez-le. Si l'appareil a été placé sur le côté pendant une durée quelconque, laissez-le à la verticale aussi longtemps que possible (quelques heures) avant de le remettre en marche.

### **Entreposage de votre réfrigérateur**

- Au moment de ranger l'appareil nettoyé, laissez les portes ouvertes. L'air pourra ainsi circuler pour prévenir la prolifération des bactéries et la formation de moisissure.
- Avant de réutiliser l'appareil, nettoyez-le bien en utilisant une solution d'eau tiède avec une petite quantité de détergent liquide pour lave-vaisselle. Rincez l'appareil à l'eau propre, puis séchez-le avec un chiffon doux et non pelucheux.

### **Vacances et congés**

Nous vous recommandons de laisser votre réfrigérateur fonctionner lorsque vous êtes en vacances.

## CONVERSION DE LA PORTE

---

Les réfrigérateurs ActiveSmart™ avec poignées argentées doivent être commandés au point de vente avec des portes ouvrant vers la gauche ou la droite, qu'il n'est pas possible d'interchanger.

Pour tous les autres modèles, vous devez disposer d'un ensemble de conversion conçu pour votre modèle de réfrigérateur. L'ensemble est disponible auprès de votre détaillant ou agent de service autorisé de Fisher & Paykel. Des instructions complètes sont fournies avec l'ensemble de conversion.

Si vous souhaitez fixer la porte sur le côté opposé, nous vous recommandons de communiquer avec un détaillant ou agent de service autorisé de Fisher & Paykel de votre région pour effectuer cette conversion.

Ceci ne s'applique pas aux modèles à portes françaises.

### **Fermeture en douceur de la porte de réfrigérateur (sur certains modèles)**

Le compartiment réfrigérateur est muni d'un dispositif de fermeture en douceur de la porte. Vous n'avez pas besoin de fermer la porte complètement car ce dispositif la ferme automatiquement à partir d'un angle d'ouverture de 45° (approximatif).

### **Tous les modèles avec fermeture en douceur**

Lors de l'ouverture de la ou les porte(s), vous pourriez remarquer une résistance légèrement supérieure à celle à laquelle vous êtes habitué.

La vitesse de fermeture des portes est réduite à la fin de la fermeture. Ceci permet d'éviter que les portes se ferment brusquement pour protéger les aliments.

### **La vitesse de la fermeture en douceur peut dépendre :**

- Des aliments rangés dans les tablettes de porte.
- De la température du compartiment réfrigérateur.
- De la température ambiante.

### **Modèles à portes françaises avec fermeture en douceur uniquement**

Le dispositif de fermeture en douceur vous permet de fermer la porte gauche ou droite en premier.

Vous pourriez remarquer que la vitesse de fermeture de la porte gauche est légèrement plus rapide que celle de la porte droite. Ceci est parfaitement normal.

Le congélateur-tiroir est muni d'un mécanisme supplémentaire de fermeture en douceur pour les derniers 2 po (50 mm).

## **IMPORTANT!**

- **Gardez les mains et les aliments hors de l'ouverture de la porte lorsque son angle de fermeture est inférieur à 45° (l'angle d'activation de la fermeture en douceur).**
- **Comme le dispositif de fermeture en douceur est situé à l'intérieur de la cavité de la porte, il ne s'agit pas d'une pièce pouvant être réparée par l'utilisateur. En cas de problème, veuillez communiquer avec un agent de service autorisé de Fisher & Paykel.**

Modèles :	25 po (635 mm) de largeur	RF135B
	31 1/8 po (790 mm) de largeur	E522B, RF170W, RF170A
	35 3/8 po (900 mm) de largeur	RF201A

Le panneau de commande vous permet de voir et de modifier toutes les fonctions et les options de votre réfrigérateur.

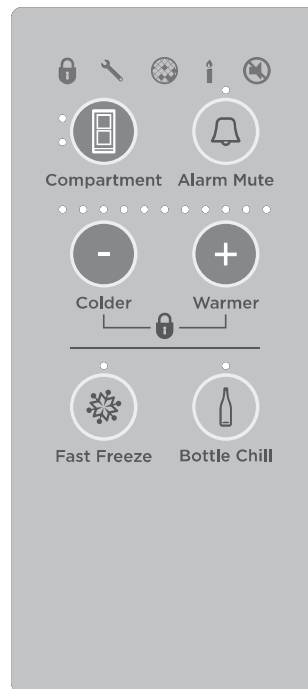
### Commande de température (tous les modèles)

- Après la mise en marche initiale, le puissant système de refroidissement refroidira automatiquement les compartiments réfrigérateur et congélateur pour qu'ils atteignent leur température préréglée. Cette opération peut prendre de 2 à 3 heures.
- Les températures des deux compartiments sont contrôlées de façon précise et indépendante. Elles ne sont pas affectées par la température et l'humidité environnantes, que ce soit en été ou en hiver.
- Si vous souhaitez modifier la température du compartiment réfrigérateur ou congélateur, utilisez simplement le panneau de commande interne situé dans la partie avant droite du compartiment réfrigérateur.

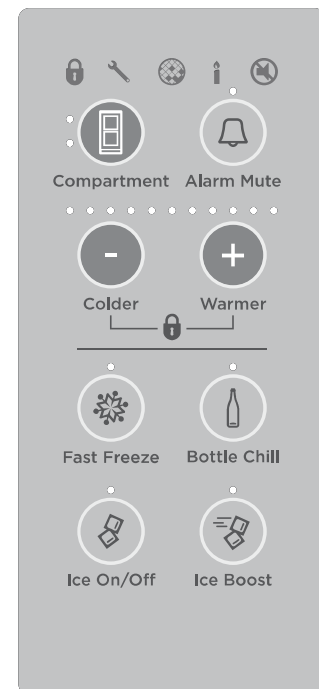
### Panneau de commande interne permettant de régler les températures



Panneau de commande interne pour les modèles Tasman



Panneau de commande interne pour les modèles Designer et Elegance





Panneau de commande interne pour les modèles Ice & Water

## Compartiment réfrigérateur (tous les modèles)



- Le témoin du compartiment réfrigérateur s'allumera automatiquement. La température de ce compartiment sera indiquée à l'aide d'une série de témoins lumineux.
- Vous pouvez modifier la température en appuyant sur la touche **-** ou **+**. Lorsque vous appuyez une fois sur l'une de ces touches, le nombre de témoins est augmenté ou réduit d'un niveau pour indiquer une légère modification de température.
- Moins il y a de témoins allumés, plus la température du compartiment sélectionné est froide.

## Compartiment congélateur (tous les modèles)

- Pour régler la température du congélateur, appuyez une fois sur la touche  afin que le témoin du compartiment congélateur s'allume.
- Vous pouvez modifier la température du congélateur en appuyant sur la touche **-** ou **+**.
- Lorsque vous appuyez une fois sur l'une de ces touches, le nombre de témoins allumés est augmenté ou réduit pour indiquer une légère modification de température.
- Moins il y a de témoins allumés, plus la température du compartiment sélectionné est froide. Remarque : le fait d'appuyer successivement sur la touche  permet d'alterner automatiquement entre les compartiments.
- Lorsque la porte est rouverte, le panneau de commande retourne automatiquement au réglage du compartiment réfrigérateur.

## Désactivation de l'alarme (tous les modèles)

Lorsque vous devez laisser la porte ouverte plus longtemps qu'à la normale, par exemple lors du nettoyage de votre réfrigérateur, appuyez sur la touche 'Alarm Mute' (désactivation de l'alarme) pour désactiver l'alarme de la porte pendant 20 minutes.

- Pour activer la fonction, appuyez une fois sur la touche . Le témoin 'Alarm Mute' s'allume lorsque la fonction est activée.
- La fonction 'Alarm Mute' sera désactivée après 20 minutes et les alarmes de porte retourneront à la normale.
- Pour désactiver manuellement la fonction 'Alarm Mute', appuyez de nouveau sur la touche . Lorsque la fonction 'Alarm Mute' est désactivée, le témoin s'éteint.

Remarque : lorsque la porte du compartiment réfrigérateur ou congélateur est laissée ouverte pendant de longues périodes, la qualité des aliments et/ou la sécurité peuvent être compromises.





## Alarmes de porte (tous les modèles)

- Si la porte du compartiment réfrigérateur demeure ouverte, une alarme sonore retentit au bout de 90 secondes; si la porte du compartiment congélateur demeure ouverte, l'alarme retentit au bout de 60 secondes.
- Lorsque l'une des portes demeure ouverte, l'alarme sonore continue de retentir à toutes les 30 secondes pendant 5 minutes.
- Une alarme sonore continue retentira si l'une des portes est laissée ouverte pendant 5 minutes ou plus et le témoin à l'intérieur du compartiment s'éteindra. L'alarme cesse uniquement lorsque vous fermez la ou les porte(s).

Remarque : si la fonction 'Alarm Mute' est activée, les alarmes de porte seront désactivées pendant 20 minutes. Lorsque les portes sont laissées ouvertes pendant 5 minutes, le témoin de compartiment s'éteint et les alarmes de porte normales sont interrompues. Le témoin 'Alarm Mute' s'allumera pour indiquer que l'appareil est passé dans ce mode.



### **Touches silencieuses (tous les modèles)**

Le mode 'Key Mute' (touches silencieuses) permet de désactiver les sons émis par toutes les touches.


- Pour activer le mode 'Key Mute' afin de désactiver les sons des touches, maintenez enfoncée la touche  pendant 4 secondes.
- L'icône  s'allumera sur le panneau de commande interne.
- Les touches sont silencieuses lorsque le mode 'Key Mute' est activé.
- Les alarmes de porte et l'alarme 'Bottle Chill' demeureront fonctionnelles.
- Le mode 'Key Mute' ne sera pas désactivé automatiquement. Pour le désactiver manuellement, maintenez enfoncée la touche  pendant 4 secondes.
- L'icône  s'éteindra.

### **Verrouillage des touches (tous les modèles)**




Le mode 'Key Lock' (verrouillage des touches) vous permet de désactiver les touches du panneau de commande interne. Ce mode s'avère utile lors du nettoyage de votre réfrigérateur.

- Pour activer le mode 'Key Lock', maintenez enfoncées les touches **-** et **+** pendant 4 secondes.
- L'icône  s'allumera sur le panneau de commande interne.
- Le fait d'appuyer sur l'une des touches produit alors un bip strident vous indiquant que les touches sont désactivées.
- Le mode 'Key Lock' ne sera pas désactivé automatiquement. Pour le désactiver manuellement, maintenez enfoncées les touches **-** et **+** pendant 4 secondes.
- L'icône  s'éteindra.

### **Activation du mode Sabbat (tous les modèles)**

- Pour activer le mode 'Sabbath' (Sabbat), ouvrez la ou les porte(s) du compartiment réfrigérateur et du compartiment congélateur, puis maintenez enfoncées les touches  et **-** du panneau de commande interne pendant 4 secondes.
- L'icône de chandelle s'allume lorsque le mode 'Sabbath' est activé.

#### **Lorsque l'appareil est en mode Sabbat :**

- L'icône  s'allumera sur le panneau de commande interne.
- Tous les témoins du panneau de commande interne seront éteints, à l'exception de l'icône de chandelle.
- Les témoins des compartiments réfrigérateur et congélateur ne s'allument pas lorsque vous ouvrez la ou les porte(s).
- Les alarmes de porte seront désactivées.
- Le panneau de commande interne ne fonctionnera pas, sauf pour indiquer que le mode 'Sabbath' est activé, tel que mentionné ci-dessus.
- L'ouverture de la ou les porte(s) n'affectera pas le compresseur ou les ventilateurs.
- En cas de coupure de courant pendant que ce mode est activé, le réfrigérateur retournera en mode 'Sabbath' lorsque l'alimentation sera rétablie.
- Le mode 'Sabbath' sera désactivé automatiquement après 80 heures.
- Pour le désactiver avant que ces 80 heures ne soient écoulées, maintenez enfoncées les touches   et **-** pendant 4 secondes. L'icône de chandelle s'éteindra sur le panneau de commande interne (et l'afficheur externe pour les modèles Ice & Water) et le fonctionnement du panneau de commande interne retournera à la normale.

## Fonctions spéciales



### Refroidissement de bouteille (modèles Designer, Elegance et Ice & Water uniquement)

Cette fonction permet de refroidir vos bouteilles plus rapidement dans le congélateur sans craindre de les oublier. La minuterie est réglée à 15 minutes, mais le temps de refroidissement dépend du format de votre bouteille. Si votre bouteille n'est pas suffisamment froide après 15 minutes, remplacez-la simplement dans le congélateur et réactivez la fonction 'Bottle Chill' (refroidissement de bouteille).

- Pour l'activer, appuyez sur la touche de l'afficheur interne. Le témoin 'Bottle Chill' s'allume lorsque la fonction est activée. L'icône s'allumera sur l'afficheur externe (modèles Ice & Water uniquement).
- Une alarme retentit lorsque les 15 minutes sont écoulées.
  - **Pour les modèles autres que Ice & Water :** ouvrez le compartiment réfrigérateur et appuyez sur la touche du panneau de commande interne pour arrêter l'alarme.
  - **Pour les modèles Ice & Water :** l'icône clignotera sur l'afficheur externe. Appuyez sur la touche de l'afficheur externe pour arrêter l'alarme.
- Rappelez-vous de retirer votre bouteille du congélateur.
- Pour désactiver la fonction 'Bottle Chill' avant que les 15 minutes ne soient écoulées, appuyez de nouveau sur la touche . Lorsque la fonction 'Bottle Chill' est désactivée, le témoin s'éteint et l'icône disparaît sur l'afficheur externe (modèles Ice & Water uniquement).



### Congélation rapide (modèles Designer, Elegance et Ice & Water uniquement)

Nous avons conçu la fonction 'Fast Freeze' (congélation rapide) pour vous permettre d'obtenir les meilleurs résultats possibles lors de la congélation de vos aliments. La fonction 'Fast Freeze' accélère le refroidissement en réglant le congélateur à sa température la plus froide pendant 12 heures, ce qui aide à préserver la fraîcheur, la texture et la saveur des aliments pendant le processus de congélation.




- Pour l'activer, appuyez sur la touche de l'afficheur interne. Le témoin 'Fast Freeze' s'allume lorsque la fonction est activée.
- Pour désactiver la fonction avant que les 12 heures ne soient écoulées, appuyez de nouveau sur la touche . Lorsque la fonction 'Fast Freeze' est désactivée, le témoin s'éteint.
- Pour de meilleurs résultats, nous vous recommandons d'activer la fonction avant d'utiliser le congélateur. Vous pouvez également l'activer au moment de mettre vos aliments au congélateur.

Cet écran permet de verrouiller le distributeur d’eau, indique si la fonction ‘Bottle Chill’ est activée et vous prévient lorsque le filtre à eau doit être remplacé.



Afficheur externe électronique

## FONCTIONS DE L’AFFICHEUR EXTERNE

 Lock	<b>Touche et témoin de verrouillage du LED distributeur</b>	Verrouille/déverrouille le distributeur d’eau. Une fois verrouillé, la LED au-dessus du bouton s’allume.
	<b>Témoin de refroidissement de bouteille</b>	L’icône s’éclaire pour indiquer lorsque la fonction ‘Bottle Chill’ est active puis cliquète lorsque la boisson est prête.
	<b>Témoin de remplacement de filtre</b>	L’icône s’éclaire pour indiquer lorsque le filtre à eau a besoin d’être remplacé.

# UTILISATION DE VOTRE DISTRIBUTEUR D'EAU (MODÈLES ICE & WATER UNIQUEMENT)

## Distribution

- Le distributeur d'eau a été conçu pour être actionné d'une seule main.
- Pour distribuer de l'eau, poussez légèrement un verre ou un contenant contre la plaque du distributeur. Appuyez doucement sur la plaque pour activer le distributeur.
- Pour interrompre l'écoulement, il suffit de retirer le verre ou le contenant de la plaque du distributeur.

Veuillez vous rappeler que le fait d'appliquer de la force sur la plaque n'accélère pas le fonctionnement du distributeur ni l'écoulement de l'eau.



Distributeur d'eau

## Première utilisation

Veuillez vous assurer de lire et suivre les consignes de la page 71 avant d'utiliser votre distributeur d'eau.



## IMPORTANT!

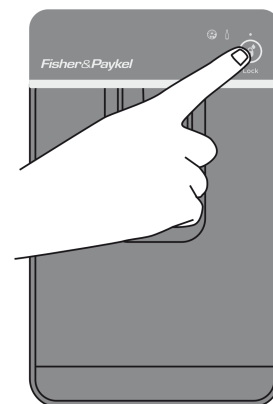
**Pour éviter les dommages matériels et les blessures, n'insérez pas vos mains, vos doigts ou des objets dans l'ouverture du distributeur.**

Veuillez noter qu'au cours des jours suivant l'installation, quelques gouttes peuvent s'écouler du distributeur lors de l'évacuation de l'air emprisonné.

## Verrouillage du distributeur


La fonction 'Dispenser Lock' (verrouillage du distributeur) désactive la distribution d'eau. Cette fonction s'avère utile lors du nettoyage de l'afficheur externe ou lorsque de jeunes enfants se trouvent à proximité.

- Maintenez enfoncée la touche  pendant 4 secondes pour activer la fonction 'Dispenser Lock'.
- Le témoin au-dessus de l'icône 'Dispenser Lock' s'allumera.
- Le fait d'appuyer sur la plaque du distributeur produit alors un bip strident indiquant que le distributeur d'eau est verrouillé.
- Pour désactiver la fonction 'Dispenser Lock', maintenez enfoncée la touche  pendant 4 secondes. Le témoin au-dessus de l'icône 'Dispenser Lock' s'éteindra et le distributeur d'eau sera déverrouillé.



Verrouillage du distributeur

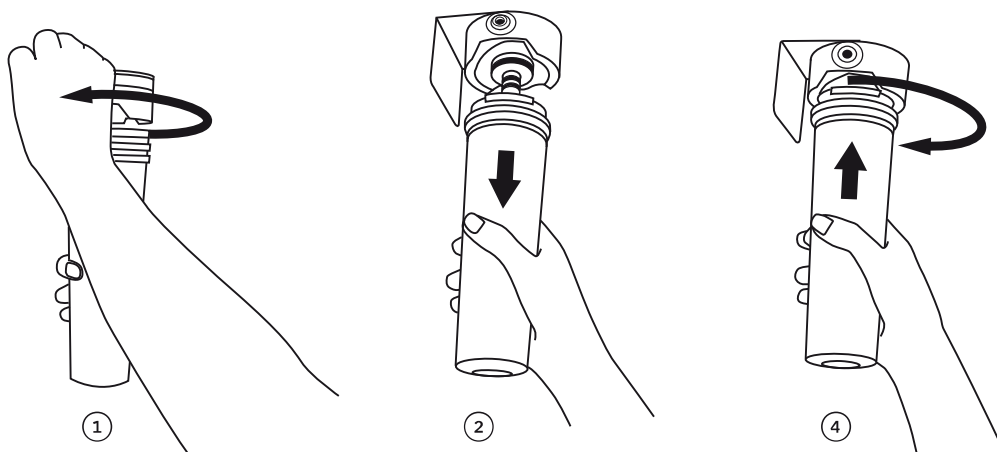
L'eau acheminée à votre réfrigérateur est filtrée pour éliminer les impuretés; le filtre est situé à l'extérieur du réfrigérateur, à l'endroit de votre choix. Ce filtre doit être remplacé à tous les 6 mois (environ).

- L'icône de remplacement de filtre  s'affiche sur le panneau de commande interne et l'afficheur externe lorsque vous devez remplacer le filtre. Elle clignote pendant la distribution d'eau pour vous le rappeler.
- Il est possible d'obtenir des cartouches de filtre de rechange auprès d'un agent de service autorisé de Fisher & Paykel. Les renseignements sur le filtre de rechange sont inscrits sur la cartouche.

## Remplacement de la cartouche de filtre à eau

Il n'est pas nécessaire de couper l'alimentation en eau avant de remplacer la cartouche de filtre à eau.

- ① Saisissez la cartouche et tournez-la fermement dans le sens antihoraire (vers la gauche lorsqu'elle est installée selon l'orientation recommandée).
- ② Dégagez la cartouche de la tête de filtre (vers le bas lorsqu'elle est installée selon l'orientation recommandée).
  - Habituellement, quelques gouttes d'eau s'écoulent pendant le retrait du filtre.
- ③ Mettez l'ancien filtre au rebut.
- ④ Installation du nouveau filtre :
  - Retirez le capuchon protecteur de la tête du filtre.
  - Poussez la cartouche vers le haut, vers la tête du filtre, en la tournant dans le sens horaire (vers la droite lorsqu'elle est installée selon l'orientation recommandée).
- ⑤ Réinitialisez l'icône de remplacement de filtre sur l'afficheur (qui vous indiquera à quel moment remplacer le filtre).
- ⑥ Pour purger le filtre à eau afin d'éliminer l'air emprisonné et les fibres de carbone inoffensives tout en vérifiant la présence de fuites, déconnectez le tuyau de l'arrière du réfrigérateur, placez l'extrémité du tuyau dans un seau, ouvrez le robinet d'isolement, puis laissez couler au moins 10 litres d'eau. Après la vérification, fermez le robinet d'isolement. Rebranchez le tuyau.
- ⑦ Quelques gouttes d'eau peuvent s'écouler du distributeur dans les quelques jours suivants, au fur et à mesure que l'air emprisonné est évacué.





Remplacement de la cartouche de filtre à eau

## FILTRE À EAU (MODÈLES ICE & WATER UNIQUEMENT)

---







### Pour réinitialiser l'icône de remplacement de filtre

#### **IMPORTANT!**


- **Nous vous recommandons d'utiliser le filtre à eau dès l'installation.**
- **Pour éviter de fausser les données de remplacement du filtre, ne réinitialisez pas l'icône avant d'avoir remplacé le filtre.**
- Maintenez enfoncées les touches  et **+** pendant 4 secondes pour réinitialiser les témoins de filtre des afficheurs interne et externe.
- L'icône  s'éteint sur les afficheurs interne et externe lorsque vous la réinitialisez.

### Pour désactiver le témoin de remplacement de filtre

Remarque : si le témoin est désactivé, vous ne serez pas avisé lorsque le filtre devra être remplacé de nouveau.

- Vous pouvez désactiver le témoin de filtre lorsqu'aucun filtre n'est installé.
- Maintenez enfoncées les touches   et **+** pendant 4 secondes pour désactiver cette fonction; l'icône  clignotera une fois sur les afficheurs interne et externe.
- Nous vous recommandons de ne pas désactiver le témoin de remplacement de filtre si un filtre est installé.
- Pour activer cette fonction, maintenez enfoncées les touches   et **+** pendant 4 secondes; l'icône  clignotera deux fois sur les afficheurs interne et externe.





#### **IMPORTANT!**

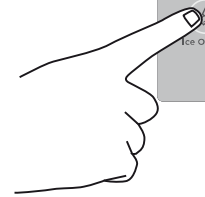
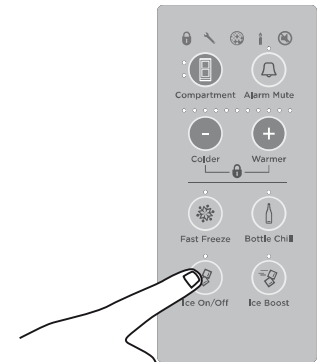
- **Pour éviter des maladies graves, voire mortelles, n'utilisez pas le filtre à eau dans un endroit où l'eau est impropre à la consommation ou de qualité inconnue.**
- **La cartouche de filtre à eau doit être remplacée lorsque l'icône du filtre clignote sur le panneau d'interface.**
- **Nous vous recommandons de remplacer le filtre lorsque les icônes  s'allument sur les afficheurs interne et externe. Cela se produira à tous les 6 mois.**
- **Si le système de filtration d'eau gèle, remplacez le filtre.**
- **Le jet du distributeur d'eau peut perdre de la puissance à mesure que le filtre accumule des sédiments provenant de l'eau du réseau de distribution locale. Selon la qualité de l'eau, il peut être nécessaire de remplacer le filtre plus souvent.**
- **Si vous constatez que le filtre se bouche très rapidement, consultez un plombier ou contactez les responsables de votre réseau de distribution d'eau pour obtenir des conseils sur la filtration de l'eau provenant du réseau.**
- **Le remplacement du filtre est effectué sous l'entière responsabilité du client et n'est pas couvert par la garantie, sauf si des pièces ou matériaux du filtre s'avéraient défectueux.**
- **Si le distributeur d'eau n'a pas été utilisé pendant un certain temps ou si l'eau présente un goût ou une odeur désagréable, rincez le système en faisant couler 10 litres d'eau.**
- **Si le goût ou l'odeur persiste, vous pouvez remplacer le filtre.**

## Activation/désactivation des glaçons

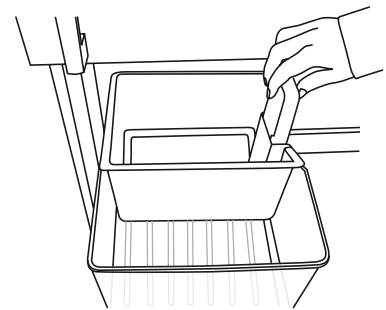
Votre appareil à glaçons est conçu pour produire automatiquement des glaçons jusqu'à ce que le bac soit plein. Ainsi, plus vous utilisez de glaçons, plus l'appareil en produit. L'appareil est suffisamment perfectionné pour détecter l'absence de bac et désactiver la distribution de glaçons.

### Première utilisation

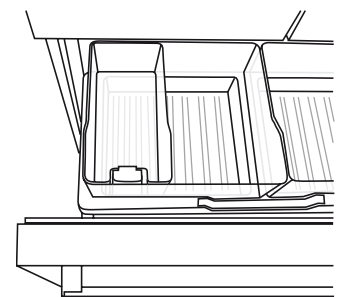
- Lorsque vous mettez votre réfrigérateur en marche après l'installation, l'appareil à glaçons est désactivé. Le témoin au-dessus de l'icône 'Ice On/Off' (activation/désactivation des glaçons) est éteint.
- Pour activer votre appareil à glaçons, appuyez sur la touche . Le témoin au-dessus de l'icône 'Ice On/Off' s'allume lorsque l'appareil à glaçons est en marche.
- Maintenez enfoncées les touches ,  et  simultanément pendant 4 secondes, puis fermez la ou les porte(s). Le plateau à glaçons se retournera. Effectuez un autre cycle. Le plateau à glaçons se retournera, puis l'eau sera déversée dans le bac à glaçons. Videz l'eau et remettez le bac en place.
- Lorsque le bac à glaçons est plein, qu'il n'est pas inséré correctement ou que tous les bacs sont retirés, l'appareil à glaçons ne fonctionne pas. Lorsque le bac à glaçons est inséré correctement, la cuillère à glaçons se trouve sur le côté droit du bac pour les modèles RF135B, E522B, RF170W et RF170A, et à l'avant du bac pour le modèle RF201A.
- Une fois l'appareil à glaçons activé, jetez les 3 premiers lots de glaçons produits (8 glaçons par lot) pour évacuer toutes les impuretés présentes dans la conduite d'eau et obtenir la meilleure qualité de glaçons. Nous vous recommandons également de procéder à ce nettoyage après les vacances ou lorsque vous n'utilisez pas de glaçons pendant de longues périodes.
- Nous vous recommandons de désactiver votre appareil à glaçons lorsque :
  - L'alimentation en eau doit être coupée pendant plusieurs heures, ou
  - Le bac à glaçons doit être retiré pendant un certain temps, ou
  - Vous quittez la maison pour les vacances ou un congé.



Activation de l'appareil à glaçons



RF135A, E522B, RF170A  
et RF170W



RF201A

Bac à glaçons et cuillère dans la bonne position

# UTILISATION DE VOTRE APPAREIL À GLAÇONS (MODÈLES ICE & WATER UNIQUEMENT)





## Informations concernant votre appareil à glaçons

- Votre appareil à glaçons automatique produit environ huit glaçons à toutes les 3 ou 4 heures, selon la température du congélateur et la fréquence d'ouverture de la porte.
- Lorsque la fonction 'Ice Boost' est activée, la production de glaçons augmente de 25 % maximum par rapport au fonctionnement normal.
- Le plateau à glaçons se remplira d'eau.
- Une fois congelés, les glaçons sont éjectés du plateau vers le bac.
- La production de glaçons se poursuit jusqu'à ce que le bac soit plein.
- La production de glaçons reprend lorsque vous utilisez des glaçons.
- Votre réfrigérateur Ice & Water est pourvu d'un petit bac à glaçons logé dans le grand bac du congélateur. Une cuillère à glaçons y est fixée pour vous permettre de manipuler les glaçons de façon hygiénique.
- Lorsqu'une grande quantité de glaçons est nécessaire, retirez un bac et laissez les glaçons tomber dans le bac de plus grande taille.
- Pour accumuler une plus grande quantité de glaçons, nivelez ces derniers dans le bac au moyen de la cuillère à glaçons.
- Lorsque le système à glaçons est utilisé occasionnellement, les glaçons produits depuis un certain temps peuvent rétrécir, se coller ensemble et avoir un aspect trouble et un goût fétide. Videz le bac à glaçons périodiquement et nettoyez-le dans de l'eau tiède. Séchez-le complètement, puis réinstallez-le dans la position adéquate.



## Fonction de production accélérée des glaçons

Cette fonction est conçue pour les événements où une plus grande quantité de glaçons est nécessaire, notamment lors des fêtes. La fonction 'Ice Boost' (production accélérée des glaçons) augmente la production de glaçons de 30 % maximum par rapport au fonctionnement normal, puis est désactivée automatiquement après 24 heures.

- Lorsque vous mettez votre appareil à glaçons en marche pour la première fois, la fonction 'Ice Boost' est désactivée.
- Pour activer cette fonction, appuyez sur la touche . Le témoin au-dessus de la touche  s'allume lorsque la fonction 'Ice Boost' est activée.
- La fonction 'Ice Boost' est mise en pause lorsque le bac à glaçons est plein.
- Pour désactiver manuellement cette fonction, appuyez de nouveau sur la touche . Le témoin au-dessus de la touche  est éteint lorsque la fonction 'Ice Boost' est désactivée.
- L'activation de la fonction 'Ice Boost' démarre automatiquement la production de glaçons.
- La désactivation de la production de glaçons désactive automatiquement la fonction 'Ice Boost'.

## IMPORTANT!

- **Évitez tout contact avec les pièces mobiles du mécanisme d'éjection des glaçons et n'insérez pas vos doigts sur le mécanisme de production de glaçons automatique lorsque le réfrigérateur est en marche.**
- **N'utilisez pas les glaçons qui sont décolorés (avec une teinte habituellement verte bleuâtre). Si vous constatez la présence de décoloration, jetez les glaçons et communiquez avec un agent de service autorisé de Fisher & Paykel.**
- **Assurez-vous que l'appareil à glaçons est raccordé uniquement au filtre et à l'alimentation en eau potable.**
- **Le raccordement de la conduite d'eau à l'appareil à glaçons doit être effectué par un technicien d'entretien ou un plombier qualifié (reportez-vous à la section, Instructions d'installation).**

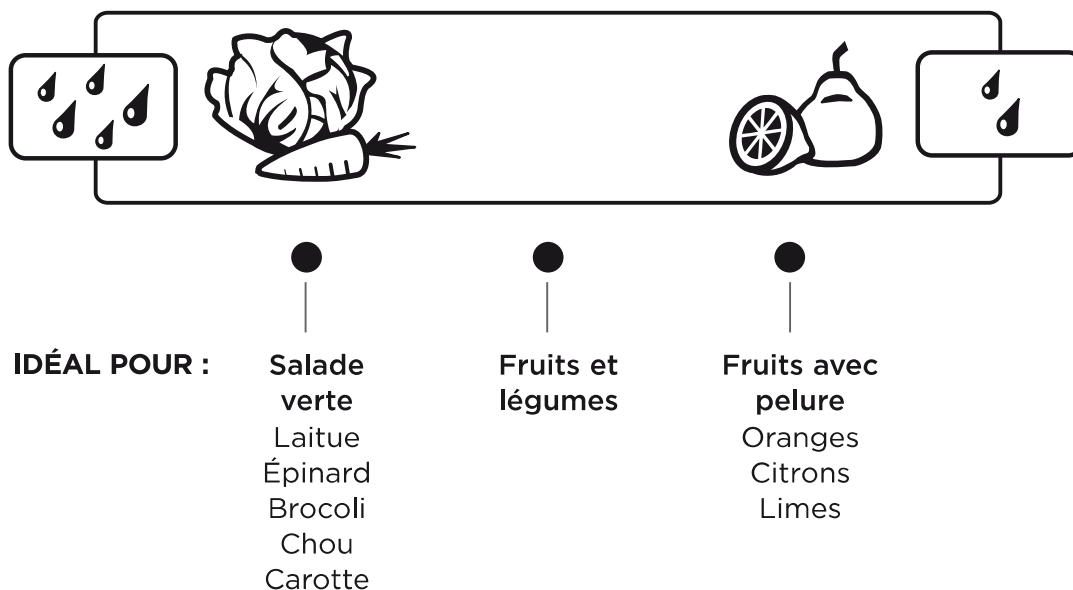
## Bacs à fruits et légumes avec couvercle de contrôle de l'humidité

Les bacs à fruits et légumes sont munis d'un couvercle ingénieux proposant deux fonctions :

- Le couvercle de contrôle de l'humidité scelle les bacs et procure un microclimat humide pour prolonger la durée de conservation des fruits et légumes.
- Le couvercle de contrôle de l'humidité empêche la condensation qui se forme à des taux d'humidité élevés de s'écouler sur les fruits et légumes en l'emprisonnant dans ses rainures.

## Bacs à fruits et légumes avec curseur de contrôle de l'humidité

- Chaque bac à fruits et légumes est pourvu d'un curseur permettant de régler le niveau d'humidité en fonction des fruits ou légumes conservés dans le bac.
- Conservez si possible les fruits et légumes dans des bacs séparés. Cela permet de prolonger leur durée de conservation.
- Lorsque des fruits et des légumes sont regroupés dans le même bac, placez le curseur au centre.
- Lorsque la quantité d'eau est trop importante dans les bacs (en raison d'un taux d'humidité élevé dans ces derniers), déplacez le curseur vers le réglage indiquant une production de gouttelettes réduite (réglage des fruits) et/ou essuyez cette eau au besoin.
- Rappelez-vous qu'une petite quantité d'eau au fond des bacs est bénéfique pour la conservation des fruits et légumes.

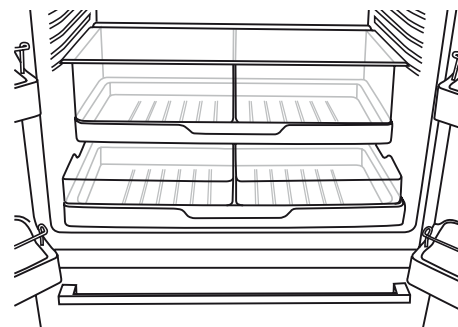


Graphique du contrôle de l'humidité

## FONCTIONS SPÉCIALES ACTIVESMART™ (TOUS LES MODÈLES)

### Tiroir de rangement mince (sur certains modèles)

Les bacs minces dans le bas du compartiment réfrigérateur procurent un espace de rangement pour les aliments que vous souhaitez conserver dans un espace distinct. Ces bacs minces peuvent être utilisés pour les viandes froides, les breuvages ou les aliments à décongeler.



Tiroir de rangement mince

### Porte-bouteille (sur certains modèles)

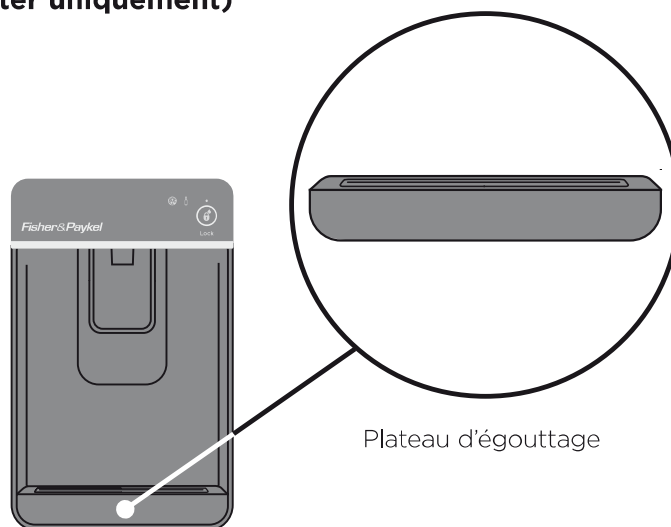
- Ces porte-bouteilles permettent de ranger un large éventail de bouteilles.
- Pour placer le porte-bouteille dans votre réfrigérateur, insérez simplement le rebord arrière du porte-bouteille sur la moulure arrière d'une tablette dans le compartiment réfrigérateur.
- Si vous n'utilisez pas certains des porte-bouteilles ou la totalité de ceux-ci, vous pouvez empiler les porte-bouteilles inutilisés afin d'économiser l'espace sur la tablette.
- Les bouteilles se rangent plus facilement lorsque leur goulot est orienté vers l'avant du réfrigérateur.

### Tablettes en verre

- Vous pouvez repositionner les tablettes en verre à l'endroit souhaité dans le réfrigérateur.
- Retirez les tablettes en soulevant leur partie arrière, pour ensuite les tirer vers l'avant.

### Plateau d'égouttage (modèles Ice & Water uniquement)

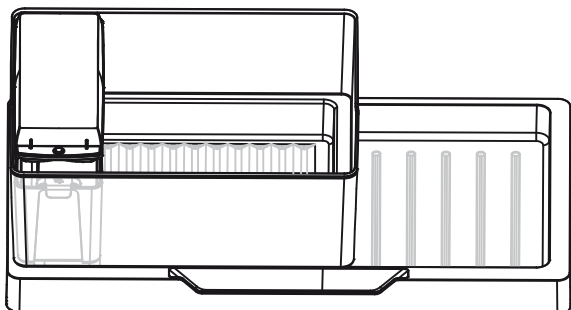
- Le plateau d'égouttage est conçu pour être glissé dans le bas du panneau de distributeur d'eau.
- Lorsque vous insérez le plateau, assurez-vous de glisser les côtés arrondis en premier.
- Le plateau d'égouttage sert à recueillir les dernières gouttes d'eau qui peuvent s'écouler après l'utilisation.
- Le plateau peut être retiré facilement pour le nettoyage.



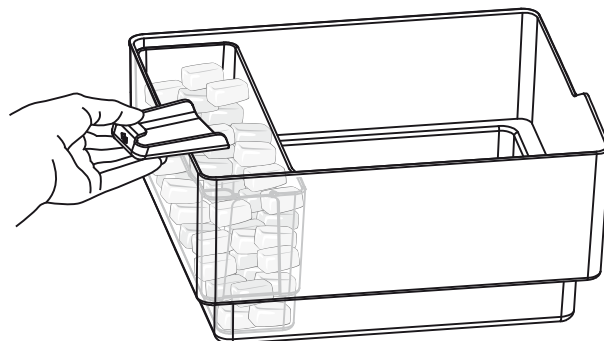
Plateau d'égouttage

### Système à glaçons manuel – RF170W et RF170A (modèles autres que Ice & Water uniquement)

Le bac à glaçons placé à l'intérieur du bac de congélateur du haut vous permet de ranger et d'accéder facilement à des glaçons clairs et propres.



Bac de congélateur dans le coin supérieur gauche, avec bac à glaçons, plateau à glaçons, couvercle et cuillère dans la bonne position



Pour accéder à la glace

### Informations concernant votre système à glaçons manuel

- Pour fabriquer de la glace, prenez le plateau à glaçons et le couvercle placés sur le bac à glaçons. Retirez le couvercle du plateau à glaçons, puis remplissez le plateau d'eau. Remplacez le couvercle sur le plateau à glaçons, puis positionnez-le soigneusement sur le bac à glaçons.
- Une fois la glace solidifiée, retirez le plateau à glaçons et le couvercle du bac à glaçons, retirez le couvercle du plateau, puis exercez une torsion aux deux extrémités du plateau à glaçons, dans des directions opposées. Retournez le plateau à glaçons au-dessus du bac à glaçons pour déloger les glaçons dans celui-ci.
- Remplissez le plateau à glaçons d'eau fraîche, puis répétez cette procédure pour remplir le bac à glaçons.
- Fixée au bac à glaçons, la cuillère à glaçons vous permet de manipuler les glaçons de façon hygiénique.
- Pour accéder aux glaçons, prenez le plateau à glaçons et le couvercle sur le bac à glaçons, puis placez-les sur une surface plane. Prenez la cuillère à l'avant du bac, videz les glaçons dans un contenant, puis remplacez la cuillère, le plateau et le couvercle sur le bac.
- Pour accumuler une plus grande quantité de glaçons, nivelez ces derniers dans le bac au moyen de la cuillère à glaçons.
- Lorsque le système à glaçons est utilisé occasionnellement, les glaçons produits depuis un certain temps peuvent rétrécir, se coller ensemble et avoir un aspect trouble et un goût fétide. Videz le bac à glaçons périodiquement et nettoyez-le dans de l'eau tiède. Séchez-le complètement, puis réinstallez-le dans la position adéquate.

### Plateaux à glaçons et couvercle (tous les modèles autres que Ice & Water)

- Pour fabriquer des glaçons, retirez le couvercle du plateau à glaçons, puis remplissez le plateau d'eau. Remplacez le couvercle sur le plateau à glaçons, puis déposez-le doucement sur une surface plane dans le compartiment réfrigérateur.
- Pour vider les glaçons dans le couvercle, tenez le plateau et le couvercle ensemble, puis exercez une torsion aux extrémités du plateau dans des directions opposées pour les déloger.
- Remplissez le plateau à glaçons d'eau et placez-le dans le congélateur.
- Il est préférable de ranger les glaçons dans un sac en plastique ou un contenant fermé car ils absorbent facilement les goûts et odeurs des autres aliments.

# NETTOYAGE ET ENTRETIEN DE VOTRE RÉFRIGÉRATEUR

## Extérieur (tous les modèles)

### Portes en acier inoxydable

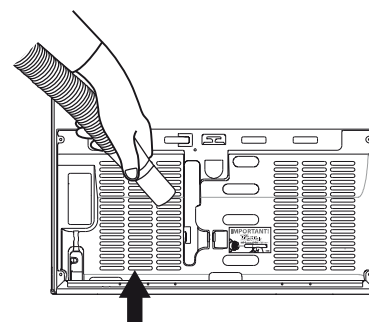
- Nettoyez l'extérieur des portes en utilisant un chiffon doux et un détergent à vaisselle liquide dissout dans de l'eau tiède.
- Séchez les portes avec un chiffon non pelucheux.
- L'utilisation de nettoyeurs abrasifs ou de solvants pour l'acier inoxydable peut endommager la surface des portes.

### Autres surfaces extérieures (tous les modèles)

- Nettoyez toutes les autres surfaces extérieures en utilisant un chiffon doux et une solution d'eau tiède et de détergent liquide pour lave-vaisselle.
- Au besoin, nettoyez le joint magnétique et les joints de la partie centrale de la porte en utilisant une brosse à dents, de l'eau tiède et un détergent liquide pour lave-vaisselle.

### Couvercle de compartiment arrière

- Pour maximiser l'efficacité de l'appareil, passez régulièrement l'aspirateur sur le sol autour de celui-ci.
- Il est nécessaire de nettoyer l'arrière de l'appareil une ou deux fois par année. Un nettoyage plus fréquent pourrait être requis si votre maison est poussiéreuse ou si vous possédez des animaux qui perdent leurs poils.
- Pour ce faire, relevez les pieds du réfrigérateur et dégagez-le doucement de sa position. Coupez l'alimentation et débranchez le réfrigérateur.
- Passez l'aspirateur sur le sol derrière votre appareil et dans le couvercle de compartiment arrière pour nettoyer l'accumulation de poussière. Utilisez un chiffon sec et non pelucheux pour nettoyer les parois de l'appareil et les armoires à proximité.
- Après le nettoyage, branchez le réfrigérateur et rétablissez l'alimentation. Remplacez l'appareil en position et abaissez les pieds.



Nettoyage du couvercle de compartiment arrière

## MISE EN GARDE!

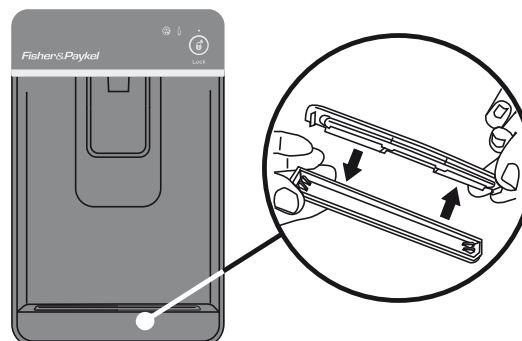
**Risque de choc électrique. Ne retirez pas le couvercle de compartiment arrière. Cela pourrait vous exposer à un risque de choc électrique.**

### Plaque et interface du distributeur d'eau (modèles Ice & Water uniquement)

- Nous avons équipé votre réfrigérateur d'une fonction de verrouillage du distributeur et des touches ('Key Lock') pour faciliter le nettoyage. Cette fonction permet de désactiver le distributeur d'eau pendant le nettoyage.
- Nettoyez la plaque et le panneau d'interface avec un chiffon doux et humide.

### Plateau d'égouttage (modèles Ice & Water uniquement)

- Pour nettoyer le plateau, retirez-le du panneau du distributeur et séparez les deux moitiés.
- Nettoyez les pièces avec de l'eau tiède et un détergent doux. Séchez les pièces et assemblez-les de nouveau.



Nettoyage du plateau d'égouttage

### Intérieur (tous les modèles)

- Il est important que l'intérieur du réfrigérateur et du congélateur soit propre pour éviter la contamination des aliments.
- La quantité et le type d'aliments conservés déterminent la fréquence de nettoyage du réfrigérateur (à toutes les 1 ou 2 semaines, idéalement).
- Retirez les tablettes du réfrigérateur et de la porte. Lavez les tablettes et les bacs avec une solution d'eau tiède et de détergent; rincez-les à l'eau propre et séchez-les avant de les remettre en place.
- Lavez les surfaces intérieures avec une solution d'eau tiède et de détergent liquide pour lave-vaisselle. Vous pouvez également utiliser 1 cuillerée à table de bicarbonate de soude dissoute dans 500 ml d'eau tiède. Rincez l'appareil à l'eau propre.
- Pour éliminer les odeurs persistantes dans le réfrigérateur, ajoutez quelques gouttes d'essence de vanille ou de vinaigre à votre eau avant de le nettoyer.
- Nettoyez les surfaces intérieures avec une solution d'eau tiède et de détergent liquide pour lave-vaisselle. Utilisez une brosse à dents pour nettoyer le joint magnétique de la porte.
- N'utilisez pas de chiffons abrasifs ou rugueux sur une pièce quelconque du réfrigérateur ou congélateur.

### Tablettes en verre (tous les modèles)

Lavez-les avec une solution d'eau tiède et de détergent, ou avec un nettoyeur pour vitre.

### Porte-bouteille (sur certains modèles)

Nettoyez-le avec une solution d'eau tiède et de détergent. L'utilisation de détergents et de solvants abrasifs peut causer des dommages.

### Distributeur de glaçons automatique (modèles Ice & Water uniquement)

- Nous ne recommandons pas de nettoyer les composantes de l'appareil à glaçons, mais il est important de nettoyer les bacs à glaçons à l'occasion.
- Vous devez nettoyer le bac à glaçons régulièrement et jeter son contenu.
- Lavez le bac avec de l'eau tiède. Séchez-le complètement, puis remettez-le en place.
- Lorsque vous remettez le bac en place, assurez-vous que la cuillère se trouve sur le côté droit ou à l'avant du bac (selon le modèle).

## **IMPORTANT!**

**La plupart des détergents offerts sur le marché contiennent des solvants qui peuvent endommager les composantes en plastique de votre réfrigérateur et causer des craquelures. Il est important d'utiliser uniquement de l'eau tiède et une petite quantité de détergent liquide pour lave-vaisselle sur les composantes à l'intérieur et l'extérieur de votre réfrigérateur. Évitez d'utiliser des produits antibactériens sur les composantes à l'intérieur ou l'extérieur de l'appareil. Ces produits pourraient corroder les composantes métalliques et causer des craquelures sur les composantes en plastique.**

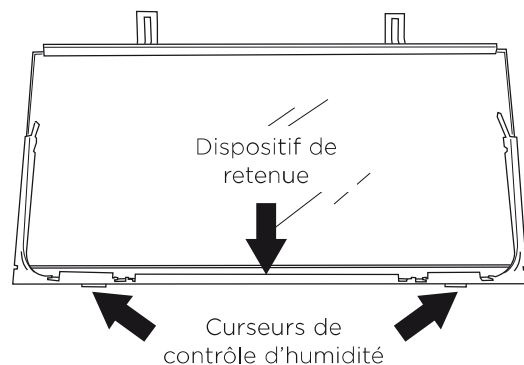
# NETTOYAGE ET ENTRETIEN DE VOTRE RÉFRIGÉRATEUR

## Système de contrôle de l'humidité

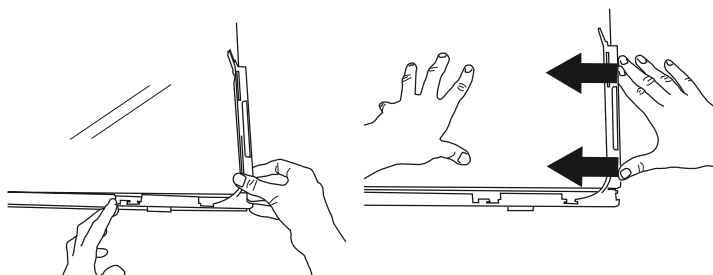
### IMPORTANT!

Lors du nettoyage de la tablette située au-dessus des bacs à légumes, nous vous recommandons de ne pas démonter le système de contrôle de l'humidité de la tablette.

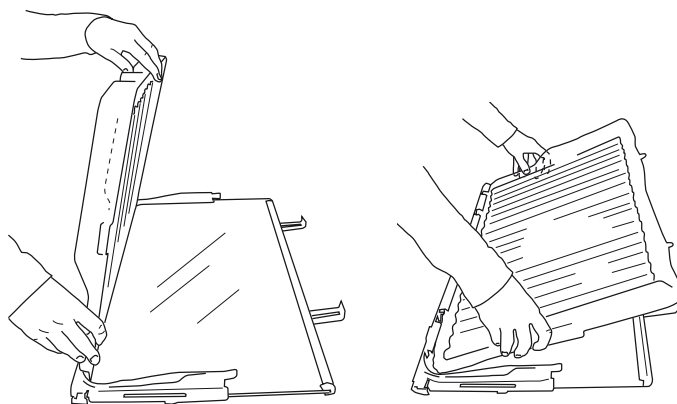
Si le couvercle de contrôle de l'humidité (en plastique) et les curseurs de contrôle de l'humidité en verre, suivent ces instructions pour les remettre en place.



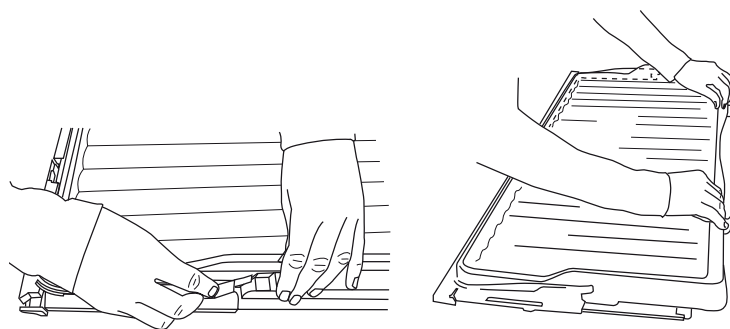
- 1 Tournez la tablette à l'envers.
- 2 Pour fixer les curseurs de contrôle de l'humidité aux coins avant de la tablette, insérez les attaches inférieures dans la garniture avant de la tablette. Glissez ensuite les côtés sur la tablette jusqu'à ce qu'ils se fixent sur le verre.



- 3 Pour installer le couvercle de contrôle de l'humidité, placez le couvercle de façon à ce que le texte soit orienté vers vous, puis alignez-le avec le devant de la tablette. Tenez le couvercle à la verticale et insérez l'extrémité avant dans le dispositif de retenue de la tablette. Assurez-vous que le couvercle s'insère dans le dispositif de retenue et sous les curseurs de contrôle de l'humidité.



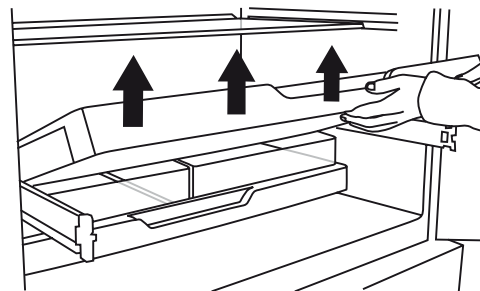
- 4 Sur les côtés de la tablette, réglez les languettes des curseurs de façon à ce que le couvercle en plastique soit entre la tablette et les languettes.
- 5 Si la partie arrière de la tablette comporte des attaches, fixez le couvercle au moyen de ces attaches. Assurez-vous que le couvercle est bien fixé à l'avant et l'arrière de la tablette.



Nettoyage du système de contrôle de l'humidité

**Pour retirer les plateaux ou les bacs fixes :**

- Pour faciliter le retrait, videz d'abord le contenu des plateaux et des bacs.
- Saisissez la poignée centrale à l'avant du plateau ou du bac.
- Soulevez la poignée vers le haut pour dégraffer le plateau ou le bac des glissières, puis tirez le plateau ou le bac vers vous pour le retirer.
- Poussez les deux glissières dans le réfrigérateur.



Retrait du plateau

**Pour remettre les plateaux ou les bacs fixes en place :**

Une fois les glissières poussées dans le réfrigérateur, placez le plateau ou le bac sur celles-ci. Poussez lentement le plateau ou le bac jusqu'à ce qu'il se réenclenche sur les glissières.

**IMPORTANT!**

- **Assurez-vous que les plateaux et les bacs sont bien fixés aux glissières avant de les utiliser.**
- **Les glissières sont prélubrifiées et ne nécessitent aucune lubrification subséquente. Ne tentez pas de nettoyer la graisse appliquée sur les glissières car cela pourrait compromettre leur fonctionnement. N'immergez pas les glissières dans l'eau.**

**Plateaux et bacs fixés de façon permanente (Modèles avec congélateur-tiroir uniquement)**

Les plateaux et bacs de congélateur sont fixés de façon permanente dans ce modèle. Vous ne pouvez pas les retirer du congélateur. Pour les nettoyer, utilisez simplement un chiffon doux et humide.

**En vacances/congé**

- Désactivez l'appareil à glaçons à partir du panneau de commande interne (OFF).
- Coupez l'alimentation en eau au réfrigérateur.
- À votre retour, rétablissez l'alimentation en eau au réfrigérateur.
- Pour remplir le réservoir avec de l'eau fraîche, faites couler 10 litres d'eau et jetez-la.
- Mettez l'appareil à glaçons en marche.
- Jetez les 3 premiers lots de glaçons produits (8 glaçons par lot).

# CONSERVATION DES ALIMENTS DANS VOTRE RÉFRIGÉRATEUR

---

Votre réfrigérateur aide à prolonger la durée de conservation des aliments périssables. La température froide permet de limiter les principales causes de détérioration des aliments, soit la prolifération des bactéries, la formation de moisissure et la fermentation, ainsi que l'effet des réactions chimiques et physiques.

## Conservation des aliments

Pour assurer leur conservation, il est important d'accorder une attention particulière à la qualité des aliments avant de les mettre au réfrigérateur. Pour de meilleurs résultats :

- Sélectionnez des aliments très frais et de grande qualité.
- Achetez uniquement la quantité que vous pensez utiliser dans la durée de conservation recommandée. Si vous achetez une quantité supplémentaire, prévoyez de la congeler.
- Assurez-vous que les aliments sont bien enveloppés ou recouverts avant de les mettre au réfrigérateur. Cela permet d'éviter la déshydratation, la détérioration des couleurs ou la perte de saveur des aliments, tout en aidant à conserver leur fraîcheur. Cette consigne permet également d'éviter les transferts d'odeur. Il n'est pas nécessaire d'envelopper les fruits et légumes s'ils sont rangés dans les bacs à fruits et légumes du réfrigérateur.
- Assurez-vous d'emballer ou de recouvrir les aliments qui dégagent une forte odeur et d'éloigner ceux-ci des aliments tels que le beurre, le lait et la crème, qui peuvent facilement absorber les odeurs.
- Réfrigérez les aliments périssables dès que possible après leur achat. Lorsque ces aliments sont laissés à la température de la pièce pour une durée quelconque, leur détérioration s'accélère.
- Évitez de placer les aliments directement devant les sorties d'air car cela pourrait causer leur congélation. De plus, l'air froid doit pouvoir circuler pour assurer une conservation adéquate.
- N'ouvrez pas inutilement la porte du réfrigérateur.
- Laissez refroidir les aliments chauds avant de les ranger dans le réfrigérateur. Vous devez agir rapidement. Pour faciliter la tâche, vous pouvez placer le contenant de nourriture dans un bol de glace et d'eau, en renouvelant la glace lorsque nécessaire. (Veuillez également noter que les contenants chauds peuvent endommager les tablettes et les parois du réfrigérateur.)
- Conservez les aliments cuits et crus dans des contenants ou emballages distincts pour éviter toute contamination croisée.

### De plus :

- Gardez le réfrigérateur propre. Essuyez fréquemment les parois intérieures et les tablettes (reportez-vous à la section 'Nettoyage et entretien de votre réfrigérateur') et placez uniquement des contenants propres dans le réfrigérateur.
- Contrôlez attentivement la qualité des aliments conservés dans votre réfrigérateur. Jetez tous les aliments présentant des signes de détérioration. Portez une attention particulière à la viande, au poisson et à la volaille, car ces aliments sont hautement périssables. Consommez les aliments dans les périodes de conservation recommandées.

## Produits laitiers et œufs

- La plupart des produits laitiers pré-emballés affichent une date d'expiration recommandée ('meilleur avant'). Rangez ces produits dans le réfrigérateur et consommez-les avant la date recommandée.
- Comme le beurre peut facilement absorber l'odeur forte de certains aliments, il est préférable de le conserver dans un contenant scellé.
- Les œufs doivent être conservés au réfrigérateur. Pour de meilleurs résultats, plus particulièrement lorsque vous cuisinez, retirez les œufs du réfrigérateur deux heures avant leur utilisation.

## **Viandes rouges**

- Déposez la viande rouge et fraîche dans une assiette, puis recouvrez-la d'un papier ciré, d'une pellicule plastique ou d'une feuille d'aluminium.
- Conservez la viande cuite et la viande crue dans des assiettes distinctes. Vous éviterez ainsi que le liquide de la viande crue ne contamine la viande déjà cuite.
- La charcuterie doit être consommée dans la période de conservation recommandée.

## **Volaille**

- L'intérieur et l'extérieur des volailles entières doivent être bien rincés à l'eau froide. Asséchez la volaille et déposez-la dans une assiette. Couvrez-la d'une pellicule plastique ou de papier d'aluminium.
- Les pièces de volaille doivent être conservées de la même façon. Les volailles entières (poulet, dinde, etc.) ne doivent être farcies qu'au moment de la cuisson afin d'éviter une intoxication alimentaire.
- Refroidissez et réfrigérez rapidement la volaille cuite. Retirez la farce de la volaille et conservez-la séparément.

## **Poissons et fruits de mer**

- Les poissons entiers et les filets doivent être consommés le jour de leur achat. Jusqu'à la cuisson, conservez-les au réfrigérateur dans une assiette recouverte d'une pellicule plastique, d'un papier ciré ou d'une feuille d'aluminium.
- S'il est nécessaire de les conserver jusqu'au lendemain ou plus tard, assurez-vous de sélectionner un poisson très frais. Les poissons doivent être rincés à l'eau froide afin de retirer les écailles et les impuretés, puis asséchés au moyen d'un essuie-tout. Déposez les poissons entiers ou les filets dans un sac en plastique scellé.
- Conservez les mollusques et crustacés au réfrigérateur en tout temps. Consommez-les dans un délai de un à deux jours.

## **Aliments précuits et restes de table**

- Ces aliments doivent être conservés dans des contenants couverts appropriés pour prévenir leur déshydratation.
- Conservez-les uniquement pendant un ou deux jours.
- Réchauffez les restes de table une seule fois, à feu élevé.

## **Bacs à fruits et légumes**

- Bien qu'il soit préférable de conserver la plupart des fruits et légumes à basse température, assurez-vous de ne pas conserver les aliments suivants à des températures inférieures à 44,6 °F (7 °C) pendant de longues périodes : agrumes, fruits tropicaux, tomates et concombres.
- Des changements indésirables se produisent à basse température, tels le ramollissement de la pelure, le brunissement, la décomposition accélérée et la perte de saveur.
- Ne réfrigérez pas les avocats (jusqu'à ce qu'ils soient pelés), les bananes, les mangues ou les pépino.
- Si possible, conservez les fruits et les légumes séparément (les fruits dans un bac et les légumes dans l'autre).
- Chaque bac à fruits et légumes est pourvu d'un curseur de contrôle de l'humidité qui peut être réglé selon les aliments qui y sont conservés. Pour de plus amples informations sur le système de contrôle de l'humidité, consultez la section 'Fonctions spéciales ActiveSmart™'.

# CONSERVATION DES ALIMENTS DANS VOTRE CONGÉLATEUR

L'utilisation d'une température de -0,4 °F (-18 °C) ou moins permet de conserver les aliments plus longtemps que dans le réfrigérateur. En effet, la prolifération des bactéries, la formation de moisissure et la fermentation sont interrompues à basse température, et l'effet des réactions chimiques et physiques est considérablement réduit.

## Aliments congelés

### Pour de meilleurs résultats :

- Sélectionnez uniquement des aliments de grande qualité qui se congèlent bien.
- Conservez-les à une température de -0,4 °F (-18 °C) ou moins. Assurez-vous de maintenir cette température en évitant d'ouvrir inutilement la porte du congélateur. Si votre crème glacée est molle, la température de votre congélateur n'est pas assez basse.
- Laissez un espace au-dessus des contenants, des pots en verre ou des sacs en plastique contenant des liquides ou des aliments semi-solides. Ces derniers prennent de l'expansion en congelant. Généralement, un espace de 1 à 2 po (20 à 50 mm) est recommandé. Scellez vos contenants. Idéalement, retirez l'air du contenant une fois que l'aliment est congelé.
- Les emballages et les contenants d'aliments solides doivent être évacués de l'air qu'ils contiennent, puis scellés adéquatement avant d'être congelés.
- Utilisez la fonction 'Fast Freeze' pour congeler les aliments frais. Cette fonction accélère le processus de congélation pour permettre un rendement optimal. Il est recommandé d'activer la fonction environ 2 heures avant d'utiliser le congélateur.
- Congelez les aliments immédiatement ou le plus rapidement possible. Ne congelez que de petites quantités d'aliments à la fois. Pour de meilleurs résultats, nous vous recommandons de congeler seulement 2,2 lb (1 kg) de nourriture par 6,6 gal (25 L) ou 0,88 pi<sup>3</sup> d'espace de congélateur à la fois. (Environ 6,6 lb (3 kg) dans un petit congélateur et 8,8 lb (4 kg) dans un grand congélateur.) Pour accélérer la congélation dans les modèles ActiveSmart™, nous vous recommandons de placer les aliments frais dans le haut du congélateur, à proximité de la sortie d'air.
- Décongelez les aliments dans le réfrigérateur, si possible, ou utilisez un four à micro-ondes ou un four multifonctions.
- Assurez une rotation constante des aliments. Consommez les aliments dans l'ordre où ils ont été congelés et n'excédez pas les durées de conservation recommandées.
- Utilisez des emballages spéciaux pour la congélation afin de préserver la qualité des aliments.
- Si les aliments sont simplement recouverts d'une pellicule plastique, placez-les dans un sac en plastique pour congélateur.

### Durées de conservation recommandées au congélateur

Ces durées de conservation doivent être respectées.

MOIS	TYPE D'ALIMENT CONSERVÉ
1	Bacon, ragoût, lait
2	Pain, crème glacée, saucisses, tartes (viande et fruits), mollusques et crustacés préparés, poissons huileux
3	Poissons non huileux, mollusques et crustacés, pizza, pains cuits et muffins
4	Jambon, gâteaux, biscuits, côtelettes de bœuf et d'agneau, pièces de volaille
6	Beurre, légumes (blanchis), œufs entiers et jaunes d'œuf, écrevisse cuit, viande hachée (cru), porc (cru)
12	Fruit (sec ou dans le sirop), blancs d'œuf, bœuf (cru), poulet entier, agneau (cru), gâteaux aux fruits

**Viande, volaille et gibier**

- Ne tentez pas de congeler plus de 2,2 lb (1 kg) de viande par 6,6 gal (25 L) ou 0,88 pi<sup>3</sup> d'espace de congélateur à la fois. La viande doit être congelée rapidement afin qu'elle conserve sa texture.
- Ne farcissez pas la volaille avant de la congeler.
- La viande peut être cuite à l'état congelé ou être partiellement ou entièrement décongelée. Rappelez-vous de prolonger le temps de cuisson des pièces cuites à partir de leur état congelé.
- Décongelez toujours la volaille entièrement avant la cuisson.

**Poisson**

- Il est préférable de se procurer le poisson congelé offert sur le marché. Si toutefois vous souhaitez congeler du poisson à la maison, assurez-vous qu'il est très frais et de bonne qualité.
- Nettoyez-le, enlevez les écailles et laissez-le entier de préférence. Tous les poissons devraient être déposés dans un emballage à double épaisseur car selon le type de poisson, l'odeur et la saveur pourraient se transmettre rapidement aux autres aliments. Scellez adéquatement l'emballage.
- Pour de meilleurs résultats, cuisez-les à partir de l'état congelé ou légèrement décongelé.

**Fruits**

- Ne congelez que des fruits de qualité, mûrs et prêts à manger. Sélectionnez de préférence des variétés de fruits qui se congèlent.
- Évitez de peler les fruits.
- La méthode d'emballage des fruits dépend de l'usage souhaité. Les fruits conservés dans un sirop sont parfaits pour les desserts, tandis que les fruits conservés sans sucre peuvent être utilisés pour la cuisson. La plupart des fruits peuvent se conserver de 8 à 12 mois.

**Légumes**


- La plupart des légumes se congèlent bien, mais les légumes à feuilles (salades) perdent de leur croquant. Les autres légumes, comme les céleris, les oignons et les tomates, doivent être utilisés uniquement dans les plats cuisinés car leur pelure ramollie en congelant.
- Ne congelez que des légumes de qualité, mûrs et prêts à manger.
- Jetez tous les légumes qui sont endommagés.
- Vous devez blanchir la plupart des légumes crus avant de les congeler.
- Le blanchiment consiste à faire cuire les légumes pendant un court laps de temps pour éliminer les enzymes. Si les enzymes ne sont pas détruits, les légumes peuvent se modifier chimiquement et physiquement pendant la congélation.
- Les légumes peuvent être blanchis dans l'eau bouillante, à la vapeur ou au four à micro-ondes. Dans l'eau bouillante, laissez les légumes cuire de 2 à 4 minutes, puis refroidissez-les rapidement.
- En règle générale, il est préférable de cuire les légumes à l'état congelé.


**Aliments préparés et cuits**

- La plupart des plats cuisinés peuvent être congelés, mais nous vous recommandons de ne pas congeler les aliments suivants :  
Blanc d'œuf cuit, crèmes pâtisseries, fourrages à la crème et puddings au lait, mets gélatineux, mayonnaises et vinaigrettes similaires, nappages de meringue. Ces aliments risquent de se séparer lors de la décongélation.

## Mises en garde

### Défaillances

Dans le cas peu probable où un problème surviendrait, l'icône  s'allumera sur le panneau de commande interne et l'appareil émettra des bips sonores lors de l'ouverture de la porte du compartiment réfrigérateur.

- Veuillez compter le nombre de bips sonores émis lors de l'ouverture de la porte du compartiment réfrigérateur. Veuillez également noter le nombre et la séquence des témoins de température affichés sur le panneau de commande interne, puis communiquez avec notre centre de service à la clientèle.
- Pour arrêter l'alarme de défaillance, appuyez sur n'importe quelle touche du panneau de commande interne. L'icône  demeurera allumée jusqu'à ce que le problème soit corrigé.

## Sons émis par le réfrigérateur

En raison de leur excellente cote d'efficacité énergétique et de leur rendement de refroidissement, les réfrigérateurs ActiveSmart™ peuvent émettre des sons différents de ceux produits par votre ancien réfrigérateur.

### **Parmi les sons émis normalement pendant le fonctionnement, on compte :**

- Son du ventilateur. Les réfrigérateurs ActiveSmart™ sont pourvus de ventilateurs dont la vitesse varie en fonction des besoins. Pendant les périodes de refroidissement, comme lorsque la porte est ouverte fréquemment, les ventilateurs font circuler l'air froid dans le réfrigérateur et le congélateur. Le son qu'ils produisent est tout à fait normal.
- Craquement ou claquement pouvant se produire lorsque la fonction de dégivrage est activée.
- Son d'écoulement d'eau. Le fluide réfrigérant du système peut produire un bruit d'ébullition ou de gargouillement.
- Sifflement après la fermeture de la porte du congélateur. Ce sifflement est produit par la différence de pression entre l'air chaud qui est soudainement refroidi en pénétrant dans le congélateur et la pression d'air extérieure.
- D'autres sons inhabituels peuvent être émis pour les raisons suivantes :
  - Appareil qui n'est pas au niveau
  - Plancher inégal ou faible
  - Présence de bouteilles ou de contenants sur les tablettes
- S'il s'agit de votre premier appareil à glaçons, vous pouvez entendre à l'occasion des sons qui ne vous sont pas familiers. Ces bruits sont normaux et n'indiquent pas un mauvais fonctionnement.
- Il est normal que l'appareil émette les sons suivants lors de l'utilisation de l'appareil à glaçons :
  - Fonctionnement du moteur (léger bourdonnement).
  - Écoulement de l'eau lors du remplissage de l'appareil à glaçons et/ou du réservoir.
  - Ouverture et fermeture du robinet d'eau (sifflement).
  - Glaçons se détachant du plateau (craquement).
  - Glaçons tombant dans le bac (bruit sourd).


Si vous éprouvez des problèmes avec votre appareil, veuillez d'abord vérifier les points suivants avant de communiquer avec un agent de service autorisé de Fisher & Paykel ou le centre de service à la clientèle.

## Tous les modèles

PROBLÈME	CAUSES POSSIBLES	SOLUTIONS
L'appareil ne fonctionne pas.	Aucune alimentation à la prise de courant.	Assurez-vous que la fiche est bien branchée et que la touche d'alimentation est en position de marche (ON). Vérifiez le fonctionnement d'un autre appareil avec la même prise de courant. Vérifiez le boîtier de fusibles.
Le dispositif d'éclairage ne s'allume pas.	Le dispositif d'éclairage ne fonctionne pas.	L'éclairage DEL ne peut pas être réparé par l'utilisateur. Contactez votre détaillant Fisher & Paykel ou un agent de service autorisé de Fisher & Paykel.
	Le réfrigérateur ne fonctionne pas.	Assurez-vous que le réfrigérateur est branché à une prise de courant.
L'éclairage et l'affichage ne fonctionnent pas.	Le mode 'Sabbath' est activé.	Maintenez enfoncées les touches  ,  et  simultanément pendant 4 secondes.
Le moteur fonctionne pendant de longues périodes.	La température est élevée.	Ouvrez la porte le moins souvent possible pour permettre à la température de se stabiliser.
	Ouvertures fréquentes de la porte.	
	Grande quantité d'aliments ajoutés récemment.	Consultez la section 'Commande de température'.
	Le réglage de température est trop bas.	
La température des compartiments est trop élevée.	Les portes ne sont pas étanches.	Assurez-vous que l'appareil est au niveau et que les joints d'étanchéité sont propres.
	Le réglage de température est incorrect.	Consultez la section 'Commande de température'.
	Ouvertures fréquentes de la porte.	Ouvrez la porte le moins souvent possible pour permettre à la température de se stabiliser.
Grande quantité d'aliments ajoutés récemment.		
Les aliments gèlent dans le réfrigérateur.	Le réglage de température est incorrect.	Consultez la section 'Commande de température'.
	Les aliments sont placés directement devant les sorties d'air.	Déplacez les aliments sensibles au froid à bonne distance de la partie arrière centrale des tablettes.
Bruits inhabituels.	L'appareil n'est pas stable ou au niveau.	Consultez la section 'Instructions d'installation' ou sous 'ActiveSmart™ mises en garde et sons'.
	Le congélateur est en mode dégivrage.	

## DÉPANNAGE

### Tous les modèles


PROBLÈME	CAUSES POSSIBLES	SOLUTIONS
Accumulation d'eau dans les bacs à fruits et légumes.	L'eau produite par les fruits et les légumes se condense.	Une petite quantité de condensation est bénéfique pour la conservation des fruits et légumes. Essuyez l'eau avec un chiffon. Placez le curseur sur le réglage d'humidité faible  .
L'extérieur de l'appareil est chaud.	Cela est tout à fait normal.	
Le joint central des portes est chaud (modèles à portes françaises uniquement).	Cela est tout à fait normal.	
Condensation à l'extérieur du réfrigérateur ou congélateur.	Cela n'est pas inhabituel lorsque le climat est très humide.	Essuyez la condensation.
Condensation dans le compartiment réfrigérateur.	Ouvertures fréquentes ou prolongées de la porte.	Ouvrez la porte le moins souvent possible.
	Le joint d'étanchéité de la porte présente une fuite.	Assurez-vous que le joint repose à plat et qu'il est parfaitement étanche.
	Cela n'est pas inhabituel lorsque le climat est très humide.	Essuyez la condensation.
Poignées de porte mal alignées.	Avec le temps et l'utilisation, des mouvements peuvent survenir.	Consultez la section 'Instructions d'installation'.
Plateau/bac difficiles à ouvrir/fermer.	Obstruction causée par un matériel d'emballage.	Assurez-vous qu'aucun aliment ou matériel d'emballage n'est coincé à l'arrière du plateau/bac.
	Les glissières ne s'étendent pas complètement.	Saisissez les côtés du plateau/bac, puis tirez fermement pour étendre les glissières afin de les réajuster.
Les glaçons ont une odeur ou un goût inhabituel.	Certains aliments peuvent transférer leur odeur ou leur goût.	Emballez ou recouvrez les aliments qui dégagent une forte odeur.
L'appareil ne fonctionne pas efficacement.	Accumulation de poussière sur ou derrière le couvercle de compartiment arrière.	Consultez la section 'Nettoyage et entretien de votre réfrigérateur'. Si le problème persiste, veuillez contacter le service à la clientèle.

**Modèles Ice & Water uniquement**


<b>PROBLÈME</b>	<b>CAUSES POSSIBLES</b>	<b>SOLUTIONS</b>
<b>L'appareil à glaçons automatique ne fonctionne pas.</b>	L'appareil à glaçons n'est pas activé.	Activez l'appareil à glaçons.
	Le bac n'est pas inséré dans le bon sens, ou il n'est pas inséré.	Placez le bac de façon à ce que la cuillère soit du côté droit. Le bac à glaçons est situé directement sous l'appareil à glaçons, dans le coin supérieur gauche du congélateur.
	L'alimentation en eau est fermée ou non raccordée.	Raccordez l'alimentation en eau.
	Le compartiment congélateur ne fonctionne pas.	Communiquez avec l'assistance à la clientèle.
	La pression d'eau est trop faible.	Vérifiez la pression d'eau.
	La conduite d'eau est entortillée ou écrasée.	Vérifiez si la conduite est entortillée ou écrasée.
<b>Les glaçons ont une odeur ou un goût inhabituel.</b>	Le filtre est bloqué.	Le filtre à eau doit être remplacé.
	Des emballages non scellés peuvent transmettre l'odeur ou le goût.	Les glaçons doivent être jetés. Assurez-vous que les emballages de nourriture sont scellés.
	L'intérieur du congélateur doit être nettoyé.	Le bac à glaçons doit être vidé et lavé. Nettoyez le réfrigérateur.
	Le mauvais goût provient de l'eau.	Le filtre doit être remplacé. Il peut être nécessaire d'installer un nouveau filtre. Effectuez 2 ou 3 cycles pour retourner le plateau à glaçons.
<b>Production de glaçons trop lente.</b>	La porte pourrait être entrouverte.	Fermez la porte.
	La température du congélateur est trop élevée.	Réglez la température à un réglage plus froid.
<b>Le joint central des portes est chaud. (Modèles à portes françaises uniquement)</b>	Vous pouvez sentir des endroits chauds sur le joint central situé entre les deux portes de réfrigérateur.	Cela est tout à fait normal et survient pendant le fonctionnement normal du réfrigérateur.

## DÉPANNAGE

### Modèles Ice & Water uniquement

PROBLÈME	CAUSES POSSIBLES	SOLUTIONS
Glace mouillée/ amas de glace.	La pression d'eau est faible.	Vérifiez la pression d'eau.
	Le filtre est bloqué.	Remplacez le filtre.
	La porte du congélateur est ouverte pendant de longues périodes.	Frappez doucement sur les glaçons avec la cuillère, ou si de gros amas de glaçons se sont formés, videz le bac pour fabriquer de nouveaux glaçons.
	La température ambiante est élevée.	
	Le bac à glaçons a été laissé hors du compartiment congélateur pendant un certain temps.	
Les glaçons se collent ensemble avec le temps.		
L'eau présente un goût ou une odeur désagréable.	Le réfrigérateur n'a pas été utilisé pendant un certain temps.	Faites couler 10 litres d'eau pour réapprovisionner le système en eau fraîche.
Le distributeur d'eau ne fonctionne pas.	L'alimentation en eau est fermée ou non raccordée.	Ouvrez l'eau.
	La conduite d'alimentation pourrait être bloquée.	Faites fonctionner le distributeur pendant 2 minutes pour évacuer l'air emprisonné dans la conduite d'eau et remplir le système d'eau.
	À la première installation, de l'air peut être emprisonné dans le système.	Vérifiez si la conduite d'alimentation est entortillée ou présente des fuites.
	Le filtre peut être bloqué et doit être remplacé.	Pour évacuer l'air, utilisez le distributeur pour faire couler 3 litres d'eau.
	Le verrouillage du distributeur ('Dispenser Lock') est activé.	Remplacez le filtre (voir l'arrière de ce guide pour connaître les coordonnées de l'assistance à la clientèle).
	L'eau est gelée dans le réservoir.	Maintenez enfoncée la touche  pendant 4 secondes.
		Augmentez la température des compartiments réfrigérateur et congélateur.
Le premier verre d'eau est chaud.	Le distributeur n'a pas été utilisé pendant un certain temps.	Jetez le premier verre d'eau produit par le distributeur d'eau.
	Le réservoir a été vidé récemment.	Laissez l'eau refroidir.

## Modèles Ice &amp; Water uniquement

PROBLÈME	CAUSES POSSIBLES	SOLUTIONS
L'icône de remplacement de filtre  clignote.	Le filtre doit être remplacé.	Remplacez le filtre aussitôt que possible.
Des gouttes s'écoulent du plateau d'égouttage.	De l'air est emprisonné dans le réservoir.	Utilisez le distributeur pour faire couler 3 litres d'eau en arrêtant le débit de façon intermittente.
	Un nouveau filtre a été installé.	Faites couler 10 litres d'eau en utilisant le filtre, puis servez-vous du distributeur pour faire couler 3 litres.
Le débit d'eau est réduit.	La cartouche du filtre est bloquée.	Remplacez le filtre aussitôt que possible.
Accumulation de glace dans le compartiment congélateur.	La porte du congélateur ne ferme pas correctement.	Déplacez les aliments dans le congélateur afin de pouvoir fermer la porte correctement.
		Vérifiez et nettoyez le joint d'étanchéité de la porte.
L'appareil à glaçons émet des bruits inhabituels ou semble faire trop de bruit.	Fonctionnement normal de l'appareil à glaçons.	Consultez la section 'ActiveSmart™ - Mises en garde et sons'.
La fonction d'optimisation des glaçons n'accélère pas la production de glaçons.	La température ambiante est très élevée.	Ouvrez la porte le moins souvent possible.
	Le réfrigérateur est utilisé très fréquemment.	

## GARANTIE LIMITÉE

---

Lorsque vous achetez un nouveau produit ActiveSmart™ de Fisher & Paykel destiné à un usage personnel ou celui d'un consommateur, vous bénéficiez automatiquement d'une garantie limitée de deux ans s'appliquant aux pièces et à la main-d'œuvre pour le service dans les 48 États continentaux des États-Unis, à Hawaï, à Washington DC et au Canada. Les clients de l'Alaska bénéficient de la même garantie limitée, mais ils doivent payer les frais nécessaires pour la livraison du produit à l'atelier de réparation ou le déplacement d'un technicien à leur domicile. Les produits pour l'utilisation au Canada doivent être achetés auprès du réseau de distribution canadien pour assurer la conformité aux réglementations.

Si le produit est installé dans un véhicule automobile, sur un bateau ou sur une unité mobile similaire, vous bénéficiez de la même garantie limitée de deux ans, mais il relève de votre responsabilité d'amener le véhicule, bateau ou l'unité mobile dans laquelle est installé le produit au service après-vente à vos frais ou de prendre en charge les frais de déplacement du technicien de maintenance jusqu'au lieu où se trouve le produit.

Vous bénéficiez d'une garantie limitée supplémentaire de trois ans (pour un total de cinq ans) couvrant les pièces et la main-d'œuvre du système de réfrigération scellé (compresseur, évaporateur, condenseur, déshydrateur de filtre et tube de raccordement) dans les 48 états continentaux des États-Unis, à Hawaï, à Washington DC et au Canada. Les clients de l'Alaska bénéficient de la même garantie limitée pour le système de réfrigération scellé, mais ils doivent payer les frais nécessaires pour la livraison du produit à l'atelier de réparation, ou le déplacement d'un technicien à leur domicile.

### **Fisher & Paykel s'engage à :**

Réparer ou, à sa discrétion, remplacer sans frais encouru par le propriétaire pour le matériel ou la main-d'œuvre, toute pièce s'avérant défectueuse du produit dont le numéro de série figure sur celui-ci, dans les deux années suivant l'achat. Les clients de l'Alaska doivent payer les frais nécessaires pour la livraison du produit à l'atelier de réparation ou le déplacement d'un technicien à leur domicile. Si le produit est installé dans un véhicule à moteur, un bateau ou une installation mobile similaire, vous devez l'apporter à l'atelier de réparation à vos frais ou payer le déplacement d'un technicien à l'endroit où se trouve le produit. Si nous ne parvenons pas à réparer une pièce défectueuse du produit après un nombre de tentatives raisonnable, nous pourrions à notre discrétion remplacer la pièce ou le produit, ou vous offrir un remboursement complet du prix d'achat du produit (excluant les frais d'installation ou autres coûts).

Cette garantie limitée est valable pour le propriétaire initial et tout propriétaire subséquent du produit s'il est acheté pour une utilisation normale dans un domicile familial simple.

Le service en vertu de cette garantie limitée devra être assuré par Fisher & Paykel ou par son agent agréé pendant les heures normales de bureau.

### **Durée de cette garantie limitée**

Notre responsabilité en vertu de cette garantie limitée expire DEUX ANS après la date d'achat du produit par le premier consommateur.

Notre responsabilité en vertu de toutes garanties implicites, y compris la garantie implicite de qualité marchande (une garantie implicite selon laquelle le produit est adapté à toute utilisation ordinaire) expire également DEUX ANS (ou durée supérieure comme requis par la loi en vigueur) à compter de la date d'achat du produit par le premier consommateur. Certains États n'autorisent pas les limitations sur la durée de la garantie implicite, il est donc possible que les limitations sur les garanties implicites ne vous concernent pas.

**Cette garantie limitée ne couvre pas :**

- Ⓐ Les déplacements d'un technicien de maintenance jusqu'à votre domicile pour tout problème non lié à un défaut dans le produit. Les frais de déplacement vous seront facturés si le problème s'avère ne pas être un défaut du produit. Par exemple :
  - ① Rectifier une mauvaise installation du produit.
  - ② Vous expliquer comment utiliser le produit.
  - ③ Remplacer les fusibles de la maison ou procéder au réglage des disjoncteurs, refaire le câblage ou la plomberie de la maison ou remplacer les ampoules.
  - ④ Rectifier les défaillances provoquées par l'utilisateur.
  - ⑤ Rectifier le réglage du produit.
  - ⑥ Modifications non autorisées du produit.
  - ⑦ Bruits ou vibrations considérés normaux, comme par exemple, les sons de drain/ventilateur, les bruits de réfrigération ou les bips sonores.
  - ⑧ Réparations des dommages provoqués par des animaux nuisibles comme les rats ou les cafards, etc.
- Ⓑ Défauts causés par des facteurs autres que :
  - ① L'utilisation ménagère normale ou
  - ② L'utilisation en conformité avec le manuel d'utilisation du produit.
- Ⓒ Les défaillances du produit causées par accident, la négligence, une mauvaise utilisation, l'incendie, l'inondation ou une catastrophe naturelle.
- Ⓓ Les frais des réparations effectuées par des réparateurs non agréés ou les frais associés à la correction de telles réparations non autorisées.
- Ⓔ Les frais de déplacement et frais associés encourus lorsque le produit est installé dans un endroit disposant d'un accès limité ou restreint (p. ex. : frais d'avions, frais de ferry et zones géographiques isolées).
- Ⓕ La maintenance recommandée normale comme énoncée dans le manuel d'utilisation du produit.
- Ⓖ Le remplacement du filtre, sauf en présence de pièces ou matériaux défectueux à l'intérieur de la cartouche du filtre.
- Ⓗ Dommages (y compris les dommages causés par l'eau) provoqués par une installation ou un raccordement de plomberie incorrect.

Ce produit a été conçu pour une utilisation dans un environnement domestique normal (résidentiel). Il n'est pas conçu pour une utilisation commerciale (de quelque nature que ce soit). Toute utilisation commerciale peut entraîner l'annulation de la garantie limitée de ce produit.

En cas de problème avec l'installation, prenez contact avec votre revendeur ou installateur. Les raccordements électriques et d'évacuation et autres raccordements relèvent de votre responsabilité.

Nous ne sommes pas responsable des dommages indirects (les frais des réparations ou les frais de remplacement d'autres propriétés endommagées si le produit est défectueux ou vos dépenses encourues si le produit est défectueux). Certains États n'autorisent pas l'exclusion ou la limitation des dommages indirects, il est donc possible que la limitation ou l'exclusion ci-dessus ne s'applique pas à votre situation.

## GARANTIE LIMITÉE

---

### Comment solliciter le service clientèle

Veillez lire le manuel d'utilisation. Si après la lecture du manuel, vous avez toujours des questions sur le fonctionnement du produit, ou si vous avez besoin de connaître le nom de votre représentant Fisher & Paykel agréé local ou si vous pensez que le produit est défectueux et que vous souhaitez contacter le service clientèle dans le cadre de cette garantie limitée, veuillez prendre contact avec votre revendeur ou nous appeler au numéro suivant :

#### États-Unis et Canada

SANS FRAIS **1.888.9.FNP.USA (1.888.936.7872)**

ou utilisez le lien sur cette page : [www.fisherpaykel.com/locator/servicer/](http://www.fisherpaykel.com/locator/servicer/)

Il est possible qu'il vous soit demandé de fournir une preuve valable de la date d'achat du produit avant que le produit puisse être accepté par le service clientèle en vertu de cette garantie limitée.

### Aucune autre garantie

Cette garantie limitée constitue l'intégralité de l'accord exclusif passé entre l'acheteur et Fisher & Paykel eu égard à toute défaillance du produit. Aucun de nos employés (ou de nos agents agréés) n'est autorisé à procéder à un quelconque ajout ou à une quelconque modification de cette garantie limitée.

Garant : Fisher & Paykel Appliances, Inc.

Si vous avez besoin d'assistance eu égard à cette garantie limitée, veuillez nous contacter au numéro ci-dessus ou nous écrire à l'adresse ci-dessous :

Fisher & Paykel Appliances, Inc.  
695 Town Center Drive, Suite 180  
Costa Mesa  
CA 92626

Cette garantie limitée vous donne des droits juridiques spécifiques et il est également possible que vous bénéficiiez d'autres droits pouvant varier d'un état à un autre.

State of California  
Department of Health Services  
Water Treatment Device  
Certificate Number

06 - 1806

Date Issued: July 18, 2006

Trademark/Model Designation

Fisher & Paykel 836860

Replacement Elements

836848

Manufacturer: Cuno Incorporated

The water treatment device(s) listed on this certificate have met the testing requirements pursuant to Section 116830 of the Health and Safety Code for the following health related contaminants:

Microbiological Contaminants and Turbidity

Cysts

Turbidity

Organic Contaminants

Atrazine

Benzene

Carbofuran

Lindane

p-dichlorobenzene

Toxaphene

Inorganic/Radiological Contaminants

Asbestos

Lead

Mercury

Rated Service Capacity: 750 gal

Rated Service Flow: 0.78 gpm

Conditions of Certification:

Do not use where water is microbiologically unsafe or with water of unknown quality, except that systems certified for cyst reduction may be used on disinfected waters that may contain filterable cysts.

Performance Data Sheet For Fisher & Paykel Filter System Model: 836860

Replacement Cartridge: 836848

This system has been tested according to NSF/ANSI 42 and 53 for the reduction of the substances listed below. The concentration of the substances in water entering the system was reduced to a concentration less than or equal to the permissible limit for water leaving the system as specified in NSF/ANSI 42 & 53. System tested and certified by NSF International against NSF/ANSI Standard 53 for the reduction of Asbestos, Atrazine, Benzene, Cyst, Carbofuran, Lead, Lindane, Mercury, P-Dichlorobenzene, Toxaphene and Turbidity; against Standard NSF/ANSI 42 for the reduction of Chlorine Taste and Odor and Nominal Particulate Class I.



To a capacity of 2,838 liters (750 gallons)

Substance	USEPA MCL	Influent Challenge concentration (mg/L)	Influent		Effluent		% Reduction		Min. Required Reduction	
			Average	Maximum	Average	Maximum	Average	Maximum		
Turbidity	1 NTU**	11±1 NTU**	10.7 NTU**	0.31 NTU**	0.49 NTU**	<1	<1	97.09%	95.20%	0.5 NTU**
Cysts	99.95% reduction	Minimum 50,000 #/L 10 <sup>7</sup> to 10 <sup>8</sup> fibers/L;	166500 #/L	<1 #/L	<1 #/L	<1	<1	<99.99%	<99.99%	>99.95%
Asbestos	99% reduction	fibers greater than 10 um in length	155 MF/L	<1 MF/L	<1 MF/L	<1	<1	<99.99%	<99.99%	>99%
Lead @ pH 6.5	0.015 mg/L	0.15mg/L +10%	0.153 mg/L	<0.001 mg/L	<0.001 mg/L	<0.001	<0.001	99.35%	99.29%	0.010 mg/L
Lead @ pH 8.5	0.015 mg/L	0.15mg/L +10%	0.150 mg/L	<0.001 mg/L	<0.001 mg/L	<0.001	<0.001	99.33%	99.29%	0.010 mg/L
Mercury @ pH 6.5	0.002 mg/L	0.006mg/L ±10%	0.006 mg/L	0.0003 mg/L	0.0005 mg/L	0.0005	0.0005	95.70%	90.91%	0.002 mg/L
Mercury @ pH 8.5	0.002 mg/L	0.006mg/L ±10%	0.006 mg/L	0.0008 mg/L	0.0015 mg/L	0.0015	0.0015	86.22%	75.31%	0.002 mg/L
Atrazine	0.003 mg/L	0.009mg/L ±10%	0.009 mg/L	<0.002 mg/L	<0.002 mg/L	<0.002	<0.002	76.99%	75.31%	0.003 mg/L
Benzene	0.005 mg/L	0.015mg/L ±10%	0.014 mg/L	0.0006 mg/L	0.0011 mg/L	0.0011	0.0011	95.71%	92.14%	0.005 mg/L
Carbofuran	0.04 mg/L	0.08mg/L ±10%	0.081 mg/L	<0.001 mg/L	<0.001 mg/L	<0.001	<0.001	98.74%	98.46%	0.04 mg/L
p-dichlorobenzene	0.075 mg/L	0.225mg/L ±10%	0.208 mg/L	<0.0005 mg/L	<0.0005 mg/L	<0.0005	<0.0005	99.76%	99.74%	0.075 mg/L
Lindane	0.0002 mg/L	0.002mg/L +10%	0.002 mg/L	0.000025 mg/L	0.00007 mg/L	0.00007	0.00007	98.72%	96.50%	0.0002 mg/L
Toxaphene	0.003 mg/L	0.015±10%	0.015 mg/L	<0.001 mg/L	<0.001 mg/L	<0.001	<0.001	92.97%	91.67%	0.003 mg/L

Standard 42: Aesthetic Effects

Substance	USEPA MCL	Influent Challenge concentration (mg/L)	Effluent		% Reduction		Min. Required Reduction
			Average	Maximum	Average	Maximum	
Chlorine Taste & Odor	~	2.0mg/L +10%	1.88 mg/L	0.051366364 mg/L	0.06 mg/L	97.26%	96.84%
Nominal Particulate*	~	at least 10,000 particales/ml	5,700,000 #/ml	30,583 #/ml	69,000 #/ml	99.95%	98.94%

\* Measurement in Particles/ml. Particles used were 0.5 - 1 microns.

\*\*NTU = Nephelometric Turbidity Units

Operation Specifications	
Water pressure	172-827 kPa (25-120psi)
Water temperature	0.6-38°C (33-100°F)
Service flow	2.9 lpm (.78 gpm)
Filter capacity	2,838 liters (750gallons)

Systems must be installed and operated in accordance with manufacturer's recommended procedures and guidelines. Follow any and all local plumbing codes and requirements. Some local codes may require the use of a licensed plumber or a certified installer when disrupting a potable water line.

**Important: Failure to follow instructions may result in voidance of warranty.**

© 3M Company. All rights reserved.  
INSTR7069 0706

**IMPORTANT: Change the filter cartridge at least every 6 months.**

**CAUTION: To reduce the risks associated with water leakage, which, if not avoided, may result in property damage - check with your plumbing professional to verify that water pressure is less than 827 kPa (120 psi).**

For estimated cost of replacement element, please call 1-888-936-7872 or contact your local appliance distributor or dealer.



Manufactured by : CUNO Incorporated, a 3M Company  
1000 Apollo Road  
Eagan, MN 55121



[www.fisherpaykel.com](http://www.fisherpaykel.com)

Copyright © Fisher & Paykel 2015. All rights reserved.

The product specifications in this booklet apply to the specific products and models described at the date of issue. Under our policy of continuous product improvement, these specifications may change at any time. You should therefore check with your Dealer to ensure this booklet correctly describes the product currently available.

Droits réservés © Fisher & Paykel 2015.

Les spécifications du produit contenues dans ce manuel s'appliquent aux modèles et produits spécifiques comme décrits à la date de publication. Dans le cadre de notre politique d'améliorations en permanence de nos produits, ces spécifications pourront être modifiées à tout moment. Nous vous recommandons de vérifier auprès de votre revendeur que ce manuel décrit le produit actuellement disponible.

**US CA**