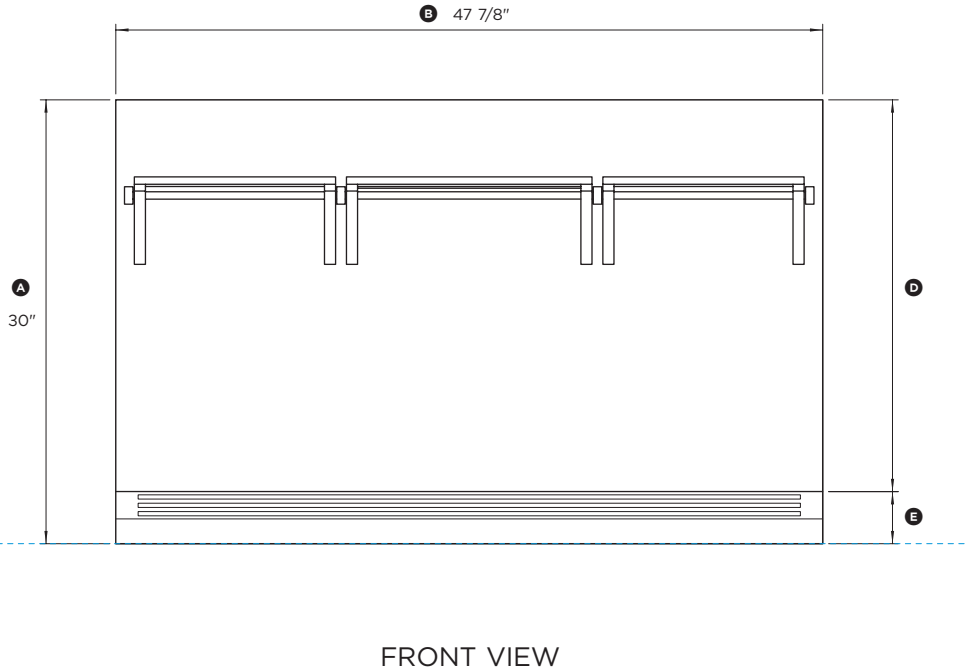
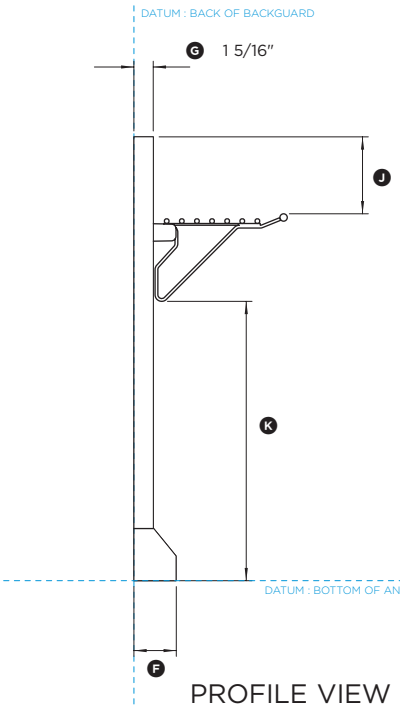
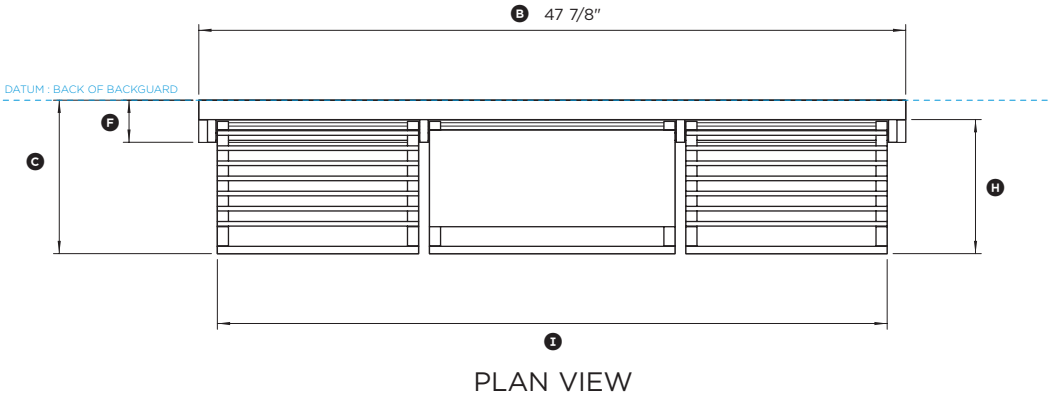
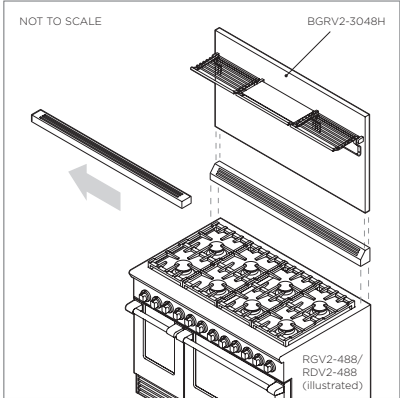


FISHER & PAYKEL

DATA SHEET 48" Professional Range Backguard with Angled Vent Trim



Model no:
BGRV2-3048H
(refer page 2 for metric measurements)

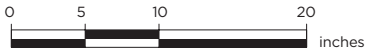
Product Dimensions	in
Ⓐ Overall height of backguard with angled vent trim	30"
Ⓑ Overall width of backguard	47 7/8"
Ⓒ Overall depth of backguard and racks	10 3/8"
Ⓓ Height of backguard	26 1/2"
Ⓔ Height of angled vent trim	3 1/2"
Ⓕ Depth of angled vent trim	2 7/8"
Ⓖ Depth of backguard	1 5/16"
Ⓗ Depth of racks	9 1/16"
Ⓘ Width of racks	45 3/8"
Ⓚ Distance from top of backguard to top of racks	5 3/8"
Ⓛ Distance from bottom of angled vent trim to bottom of racks	18 7/8"

NOTE: Angled vent trim supplied with BGRV2-3048H.
Remove flat vent trim and replace with angled vent trim.

INDICATES PRODUCT DATUM -----

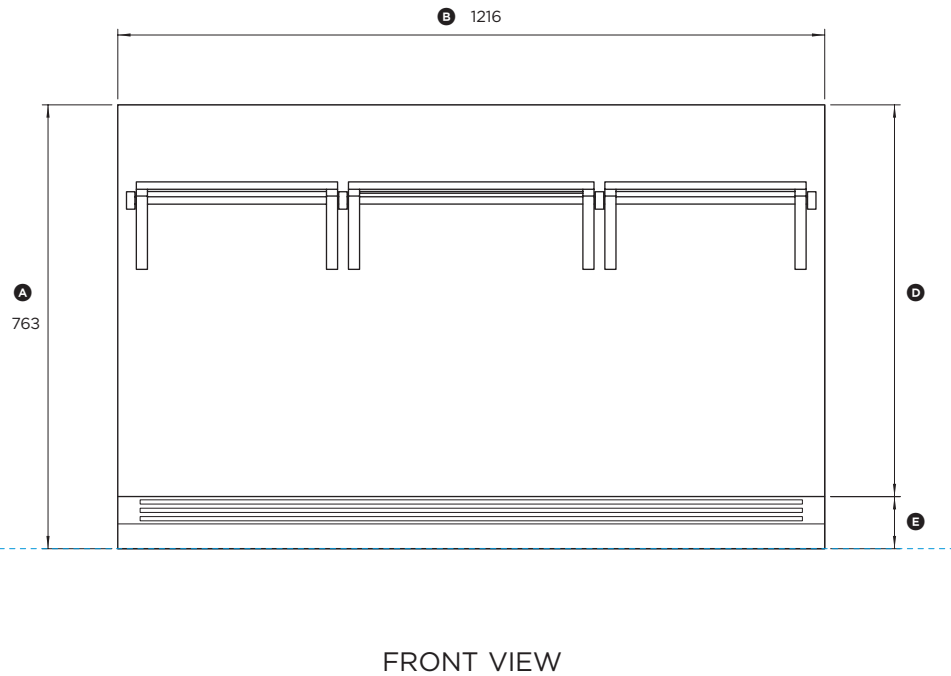
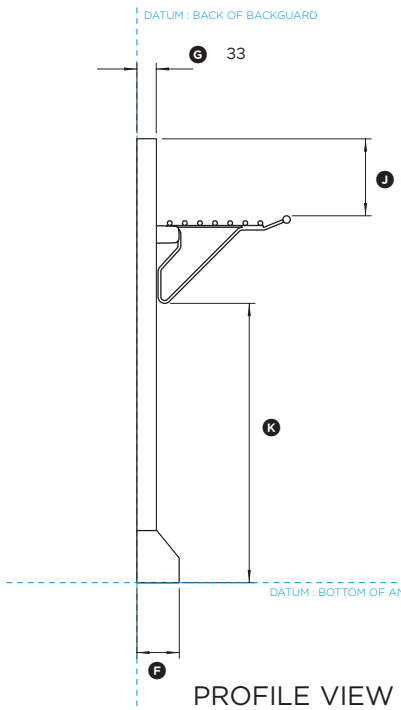
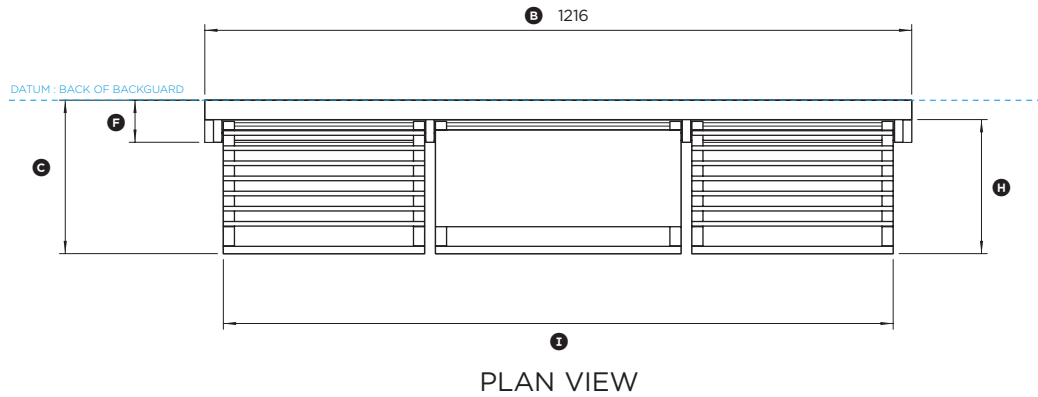
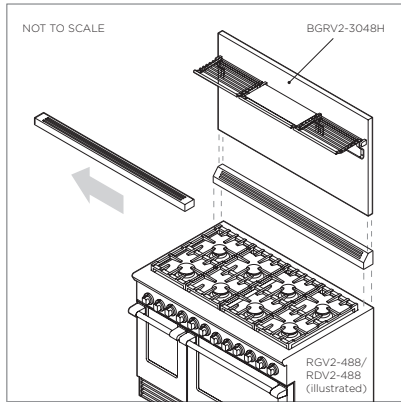
DATE: 24.04.2018

IMPORTANT: Throughout this guide, dimensions may vary by ±2mm (1/16").
Read the installation guide for detailed information on installing the product.
For full installation instructions and specifications visit fisherpaykel.com



FISHER & PAYKEL

DATA SHEET 48" Professional Range Backguard with Angled Vent Trim



Model no:

BGRV2-3048H

(refer page 1 for imperial measurements)

Product Dimensions	mm
Ⓐ Overall height of backguard with angled vent trim	763
Ⓑ Overall width of backguard	1216
Ⓒ Overall depth of backguard and racks	264
Ⓓ Height of backguard	673
Ⓔ Height of angled vent trim	90
Ⓕ Depth of angled vent trim	72
Ⓖ Depth of backguard	33
Ⓗ Depth of racks	230
Ⓘ Width of racks	1152
Ⓚ Distance from top of backguard to top of racks	136
Ⓛ Distance from bottom of angled vent trim to bottom of racks	480

NOTE: Angled vent trim supplied with BGRV2-3048H.
Remove flat vent trim and replace with angled vent trim.

INDICATES PRODUCT DATUM -----

DATE: **24.04.2018**

IMPORTANT: Throughout this guide, dimensions may vary by $\pm 2\text{mm}$ (1/16").
Read the installation guide for detailed information on installing the product.
For full installation instructions and specifications visit fisherpaykel.com

