

24-Inch Column Freezer



DRZ24980LAP/DA — Panel ready, left hinge
DRZ24980RAP/DA — Panel ready, right hinge

Features & Benefits

- SteelCool™ full stainless steel interior
- LED 3D Lighting
- Hidden Touch Control Panel with SmartThings Wi-Fi connectivity
- Push-to-Open Door
- Dual Icemaker with Cocktail Ice™
- R600a refrigerant
- Panel ready

Weights & Dimensions

| | |
|--|----------------------|
| NET WEIGHT (LBS) | 386 |
| SHIPPING WEIGHT (LBS) | 503 |
| PRODUCT DIMENSIONS (W X H X D IN INCHES) | 23 3/4 x 83 3/8 x 25 |
| FLUSH CUTOUT REQUIRED (W X H X D IN INCHES) | 24 x 84 x 25 |

Technical Details

| | |
|--------------------------------|------------------|
| ELECTRICAL REQUIREMENTS | 115V, 60 Hz, 15A |
|--------------------------------|------------------|

Warranty

| | |
|--|----------|
| FULL COVERAGE | 2 years |
| SEALED SYSTEM, PARTS & LABOR | 6 years |
| SEALED SYSTEM, PARTS ONLY (COMPRESSOR INCLUDED) | 10 years |

Controls

| | |
|----------------------------|-------------------------------|
| CONTROL TYPE | Easy reach hidden Glass-Touch |
| WI-FI + SMARTTHINGS | Yes |
| SABBATH MODE | Yes |

Features

| | |
|------------------------------------|---|
| TOTAL CAPACITY (CU. FT.) | 13.6 |
| PUSH-TO-OPEN | Yes |
| WATER DISPENSER | Internal water dispenser |
| ICEMAKER | Dual Icemaker with Cocktail Ice™ |
| DEODORIZING FILTER | Yes |
| LED LIGHTING | 3D Lighting |
| INTERIOR MATERIAL | SteelCool™ (Full stainless steel walls) |
| DIGITAL INVERTER COMPRESSOR | Yes |
| REFRIGERANT | R600a |
| FREEZER DRAWERS | 2 |
| DOOR BINS | 4 |
| SHELVES | 4 |
| DOOR ALARM | Yes |

Refrigerator

| | |
|--------------------------|-----|
| FRESHZONE™ DRAWER | Yes |
|--------------------------|-----|

Freezer

| | |
|---|-------------|
| FREEZER CAPACITY (CU. FT.) | 13.6 |
| FREEZER TEMPERATURE | -8°F to 5°F |
| DEDICATED EVAPORATOR & COMPRESSOR SYSTEM | Yes |
| POWER FREEZE | Yes |

Accessories (Optional)

Please see page 13 of Reference Guide for a full list of accessories

| | |
|------------------------|---|
| RAC24AMLHSR/DA | 24" panel kit, Silver Stainless, left |
| RAC24AMRHSR/DA | 24" panel kit, Silver Stainless, right |
| RAC24AMLHMS/DA | 24" panel kit, Graphite Stainless, left |
| RAC24AMRHMS/DA | 24" panel kit, Graphite Stainless, right |
| RACOOWFAAAA/DA | Water filter for refrigeration |
| RACOOTCAAAA | Install kit for triple built-in refrigeration |
| RACOOCPAAAA/DA* | Install kit to pair built-in refrigeration |

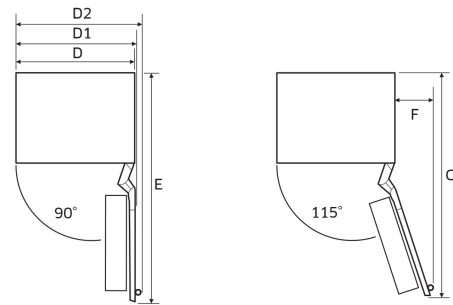
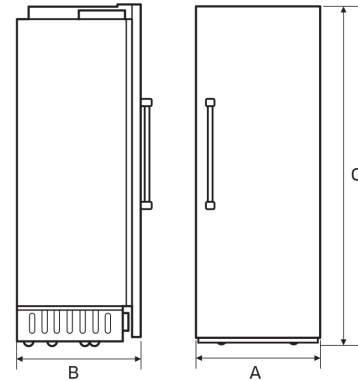
*2x needed for triple install.

24-Inch Column Freezer



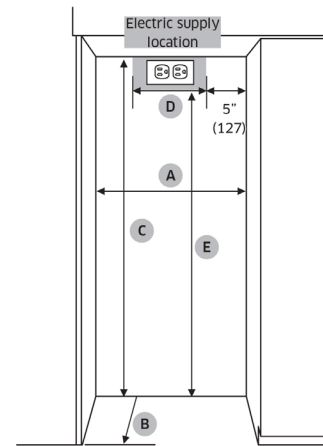
Product Dimensions

| | |
|---|-----------------|
| A - WIDTH (IN/MM) | 23 3/4 / 603 |
| B - WIDTH PANEL (IN/MM) | 25 / 635 |
| C - HEIGHT (IN/MM) | 83 3/8 / 218 |
| D - (IN/MM) | 23 5/8 / 600 |
| D1 - WITH PANEL (IN/MM) | 24 7/8 / 632 |
| D2 - WITH MODERNIST HANDLE (IN/MM) | 26 3/4 / 680 |
| E - (IN/MM) | 50 3/4 / 1289 |
| F - (IN/MM) | 13 11/16 / 348 |
| G - (IN/MM) | 49 11/16 / 1261 |



Installation Cutout Dimensions

| | |
|---------------------------|-----------|
| A - WIDTH (IN/MM) | 24 / 610 |
| B - DEPTH (IN/MM) | 25 / 635 |
| C - HEIGHT (IN/MM) | 84 / 2134 |
| D - (IN/MM) | 14 / 356 |
| E - (IN/MM) | 80 / 2032 |



Water Supply Connection Requirements

| | |
|--------------------|-------------|
| A - (IN/MM) | 5 1/2 / 140 |
|--------------------|-------------|

