

DA 6596 D Puristic Canto AM

Island décor hood
with energy-efficient LED lighting and backlit controls for easy use.



- Timeless design - 35 3/8 (898)Inch wide stainless steel ventilation hood
- Unique convenience - Con@ctivity 2.0
- Efficient and beautiful - Multi-zone edge extraction
- Variable: edge vented panels made of glass or stainless steel

EAN: 4002515524817 / material number: 09762240

Construction type	
Island ventilation hood	•
Design	
Color	Stainless steel
RAL color possible as special order	•
Customization possible on request	•
Multi-zone edge extraction	•
Operating modes	
Recirculated mode	Convertible
OdorFree charcoal filter (order separately)	DKF12-900
Decor elements in glass (order separately)	DRP 6590D
Control panel	
Electronic controls	•
Light-touch controls	•
Power levels (number excl. Intensive)	3
Intensive setting	•
Programmable 'Intensive' switch-off	•
Delayed shutdown for 5 or 15 minutes	•
Programmable grease filter saturation indicator	•
Programmable charcoal filter saturation indicator	•
Acoustic package	•
Cleaning convenience	
Easy-to-clean CleanCover hood liner	•
Networking of domestic appliances	
Automatic function Con@ctivity 2.0 (Zigbee)	•
Filter system	
Number of dishwasher-safe stainless steel grease filters	3
Lighting	
LED ClearView lighting	•
Light intensity in Lx	540
Color temperature in K	3,500
Blower	
Dual-action blower	•
AC motor	•
Air throughput with max. duct diameter in vented mode (not for external version)	
Air throughput	Values upon request
Safety	
Safety shut-off	•

DA 6596 D Puristic Canto AM

Island décor hood

with energy-efficient LED lighting and backlit controls for easy use.

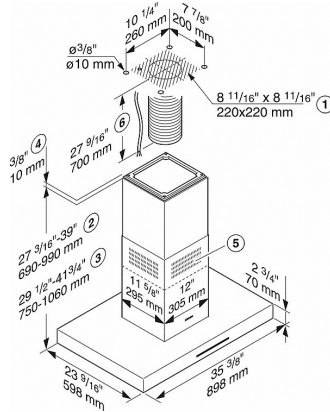


Technical data	
Overall hood height for vented and external in in.(mm)	27 1/4 (690)
Overall hood height for recirculation in in.(mm)	29 5/8 (750)
Canopy width in in.(mm)	35 3/8 (898)
Height of hood canopy in in.(mm)	2 7/8 (70)
Depth of hood canopy in in.(mm)	23 5/8 (598)
Minimum distance above electric cooktops in in.(mm)	24 1/8 (610)
Minimum height above gas cooktop (max. 12.6 kW total power, burner 4.5 kW) in mm	26 (660)
Net weight in lbs. (kg)	75 (34.0)
Length of electrical wire in ft (m)	0 (0.0)
Hard-wired	•
Total connected load in kW	0.36
Voltage in V	120
Fuse rating in A	15
Number of phases	1
Installation notes	
Vent connection at top	•
Diameter of vent connection in in.(mm)	6 (150)
Telescopic chimney	•
Standard accessories	
Non-return flap	•
Wireless stick Con@ctivity 2.0 for KM	XKS 3000 Z

DA 6596 D Puristic Canto AM

Island décor hood

with energy-efficient LED lighting and backlit controls for easy use.



DA 6596 D (Installation drawing)

- 1) Installation area/site
- 2) Vented
- 3) Recirculation
- 4) Installation alternatively with spacer frame
- 5) Ventilation grille positioned at the top for recirculation
- 6) A supply lead, and for vented mode flexible vent ducting, must be pre-fitted for the connection in the ceiling to the connection of the cooker hood.