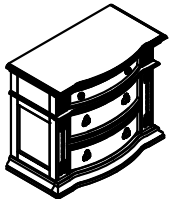
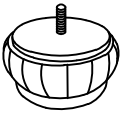


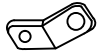



ASSEMBLY INSTRUCTION
INSTRUCCIONES

B1600-2/B1610-2 NIGHTSTAND
B1600-2/B1610-2 BURO

PARTS LIST
LISTA DE PARTES

ANTI-TIPPING HARDWARE LIST
LISTA DE HARDWARE ANTI-TIPPING

1		NIGHTSTAND / BURO	1 PC/ PIEZA
2		KD LEGS / PIERNA DE K/D	4 PCS/ PIEZAS

A		BRACKET	2 PCS/ PIEZAS
B		TIE WRAP	1 PC/ PIEZA
C		LONG SCREW #8x2" L	1 PC/ PIEZA
D		SHORT SCREW #8x5/8" L	1 PC/ PIEZA
ASSEMBLY TOOL NOT INCLUDED		