



7.0 cu. ft. Electric Dryer

WED4950H



White
WED4950HW

Capacity

Total	7.0 cu. ft.
-------	-------------

General Features & Properties

Timed Dry	
-----------	--

3 Drying Temperatures	
-----------------------	--

7.0 Cu. Ft. Capacity	
----------------------	--

Designed, Engineered and Assembled in the U.S.A.

Electrical Details

Hz	60
----	----

Amps	30
------	----

Volts	420
-------	-----

Technical Details

Drum Material	Powder Coat
---------------	-------------

Fuel Type	Electric
-----------	----------

Door Style	Hamper
------------	--------

Reversible Door	No
-----------------	----

Number of Dryer Cycles	14
------------------------	----

Selection of Drying Cycles	Automatic Dry
	Energy Preferred
	Fluff Air 10
	Fluff Air 20
	Fluff Air 30
	Heavy Duty
	Less Dry
	More Dry
	Timed Dry 20
	Timed Dry 30
	Timed Dry 40
	Timed Dry 50
	Timed Dry 60
	Timed Dry 70

Dryer Option Selections	Damp Dry
	Signal
	Freshen Up
	Wrinkle Shield™

Dimensions

Product Dimensions (H x W x D)	41-13/16" x 29" x 28-3/8"
--------------------------------	---------------------------

Depth with Door Open 90°	41-11/16"
--------------------------	-----------

Maximum Vent Length	64'
---------------------	-----

Venting Direction	Rear Only
-------------------	-----------

Ventless	No
----------	----

Reference Material

[Dimension Guide](#)

[Install Guide](#)

[Use & Care Guide](#)

[Warranty](#)

Key Features & Benefits

AutoDry™ Drying System

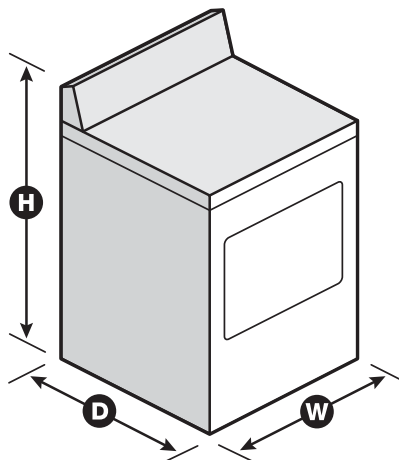
Help prevent overdrying with the AutoDry™ drying system that senses when clothes have reached the right moisture content and stops the cycle.

Wrinkle Shield™ Option

Helps keep wrinkles from setting into your clean clothes with intermittent tumbling after the dryer cycle ends.

Hamper Door

Easily transfer loads from the washer to the dryer and from the dryer to the laundry basket without worrying about clean clothes falling on the floor with this wide-opening door.



NOTE: Dimensions are for planning purposes only. For complete details, see Installation Instructions packed with product. Specifications subject to change without notice.

®/™ © 2020. All rights reserved. Printed in the U.S.A. D200104XXD. WED4950HSpecSheetV01.