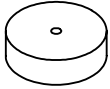

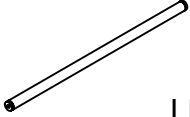
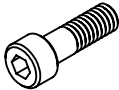
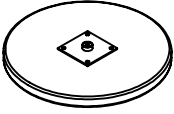
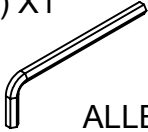


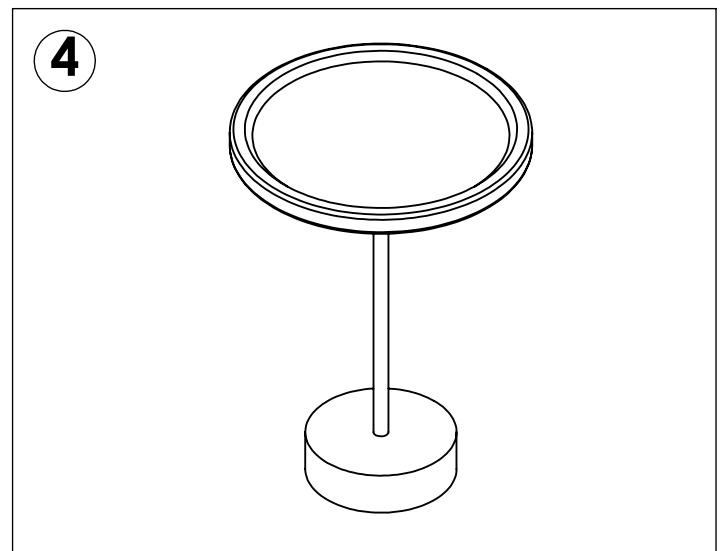
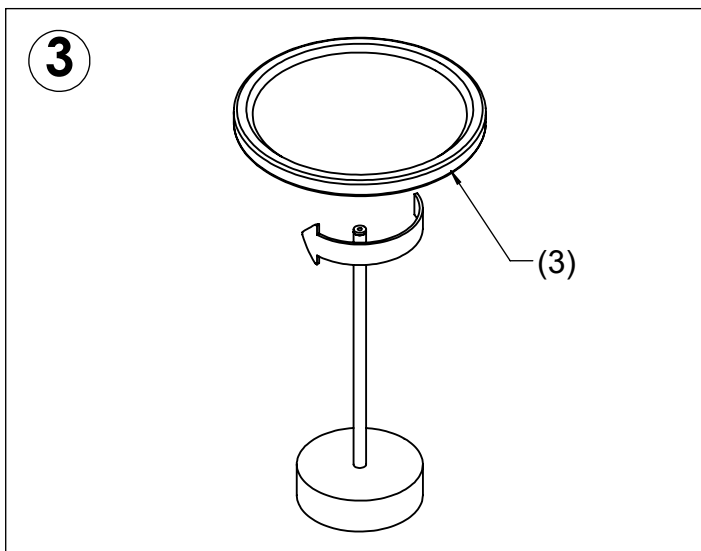
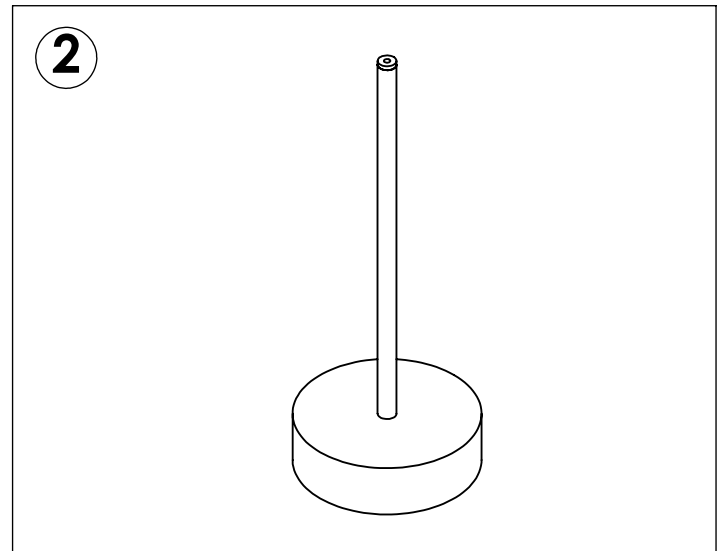
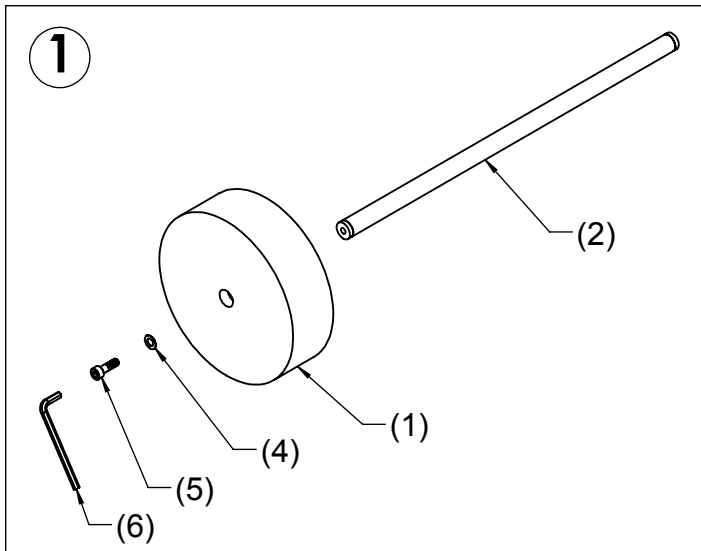
ASSEMBLY INSTRUCTIONS

ROYA KD

TEAK END TABLE MARBLE BASE

ITEM#1210005

PART IDENTIFICATION		HARDWARE	
(1) X1	 MARBLE BASE	(4) X1	 WASHER M8
(2) X1	 LEG	(5) X1	 ALLEN BOLT M8x25
(3) X1	 TOP TABLE	(6) X1	 ALLEN KEY L6



Note:

- Do not throw away packaging materials until assembly is complete.
- To protect the finish, assemble this item on a soft surface, such as cardboard or carpet.
- 2 people are required for proper assembly of this item.