

## DAS 4720

30" Built-In Slimline Ventilation Hood with WiFi

### Features:

- LED strip for bright, even light distribution
- Stainless steel canopy
- 10-ply grease filters for efficient filtration
- WiFi Connected

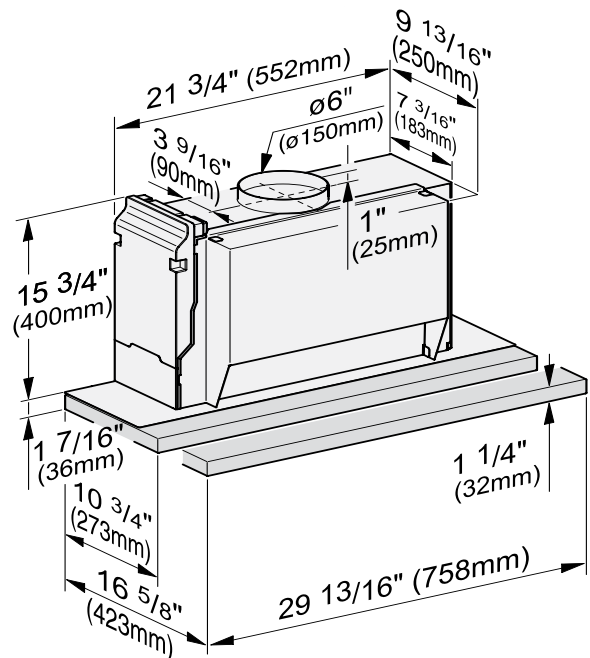
### MATERIAL #

11878520

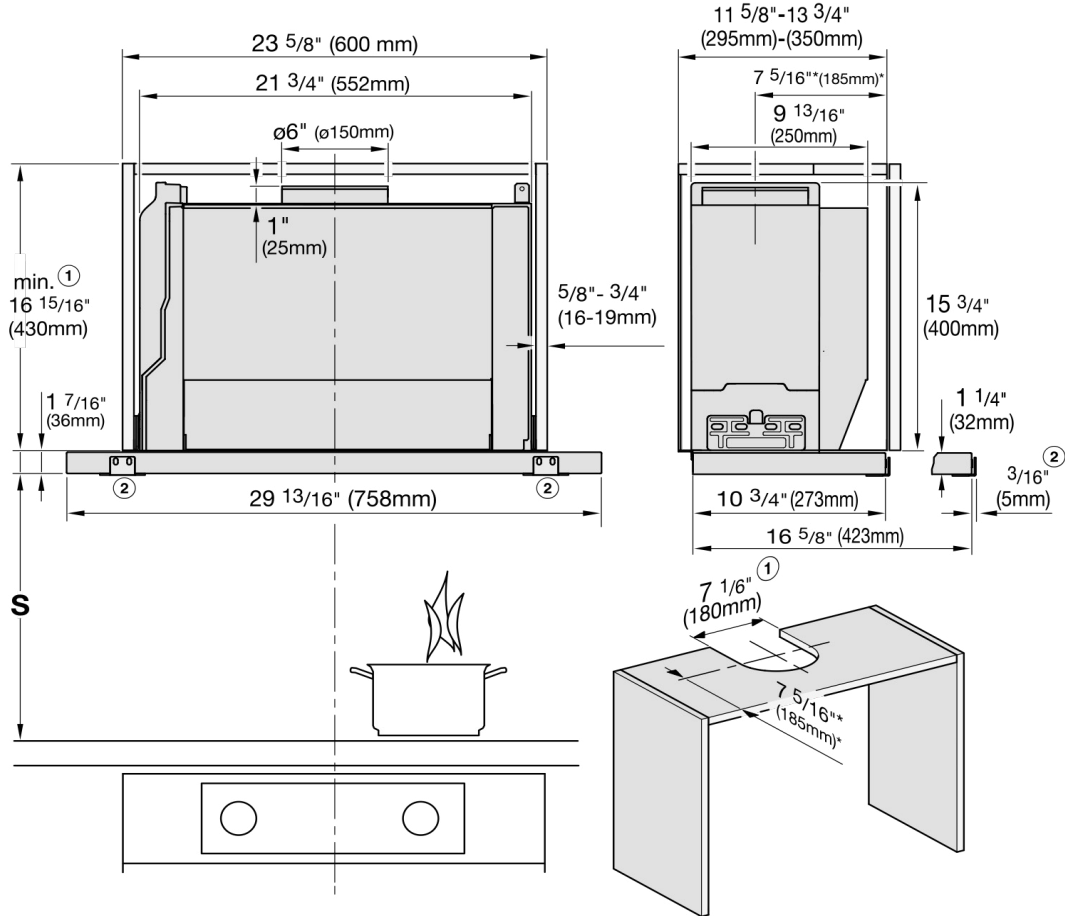


SPECIFICATIONS	
Overall Unit Dimensions	29 <sup>13</sup> / <sub>16</sub> " (758 mm) W x 17 <sup>1</sup> / <sub>8</sub> " (436 mm) H x 10 <sup>3</sup> / <sub>4</sub> " (273 mm) D
<b>Niche</b>	
Minimum Cabinet Niche Opening	22 <sup>1</sup> / <sub>8</sub> " (562 mm) W x 16 <sup>3</sup> / <sub>16</sub> " (411 mm) H x 11 <sup>5</sup> / <sub>8</sub> " (295 mm) D
<b>Electrical</b>	
Electrical Requirements	120V, 60Hz, 15 Amps
Power Cord	NEMA 5-15 plug, 2.5 ft (0.75 m)
<b>Shipping</b>	
Shipping Weight	40 lbs (18 kg)
Shipping Dimensions	38" (965 mm) W x 15 <sup>3</sup> / <sub>8</sub> " (390 mm) H x 19 <sup>1</sup> / <sub>16</sub> " (500 mm) D

### PRODUCT DIMENSIONS



## NICHE DIMENSIONS



**DISTANCE BETWEEN COOKTOP AND VENTILATION HOOD (S)**

**Distance between cooktop and ventilation hood (S)**

Provided a larger distance is not given by the manufacturer of the cooktop, follow the minimum distances between a cooktop and the bottom of the hood.

Please also observe the information contained in the “IMPORTANT SAFETY INSTRUCTIONS” section of the manual.

Cooking appliance	Minimum distance S	
	Miele appliance	Non-Miele appliance
Electric Cooktops	24" (610 mm)	
Electric Barbeques and Fryers	26" (660 mm)	
Multiburner Gas Cooktops ≤ 43,000 BTU/hr (12.6 kW), no burner > 15,000 BTU/hr (4.5 kW).	26" (660 mm)	30" (760 mm)
Multiburner Gas Cooktops ≤ 73,800 BTU/hr (21.6 kW), no burner > 16,500 BTU/hr (4.8 kW)	30" (760 mm)	
Multiburner Gas Cooktops > 73,800 BTU/hr (21.6 kW), or one of the burners > 16,500 BTU/hr (4.8 kW)	Not possible	
Single Burner Gas Cooktops ≤ 20,500 BTU/hr (6 kW)	26" (660 mm)	30" (760 mm)
Single Burner Gas Cooktops > 20,500 BTU/hr (6 kW) ≤ 27,600 BTU/hr (8.1 kW)	30" (760 mm)	
Single Burner Gas Cooktops > 27,600 BTU/hr (8.1 kW)	Not possible	