




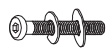
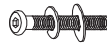
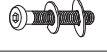

# ASSEMBLY INSTRUCTIONS INSTRUCCIONES

# 2265S DINING CHAIR 2265S SILLA DE COMEDOR

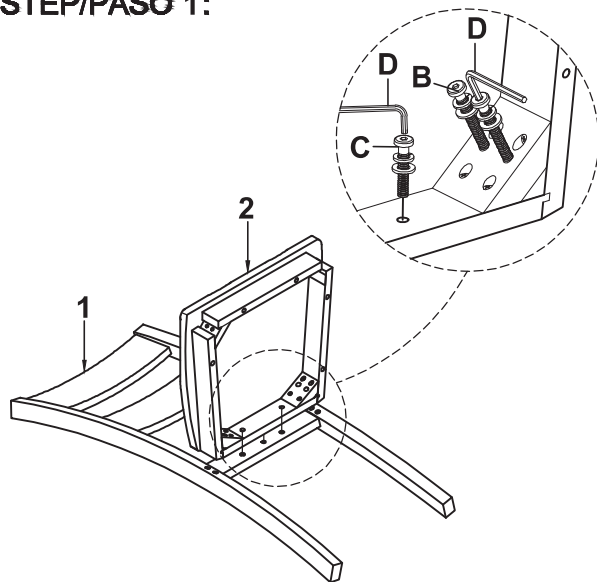
## PARTS LIST

NO.	DESCRIPTION	SKETCH	QTY
1	CHAIR BACK		1
2	SEAT BOARD		1
3	FRONT LEG		2

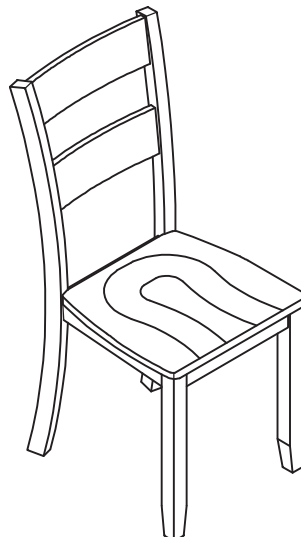
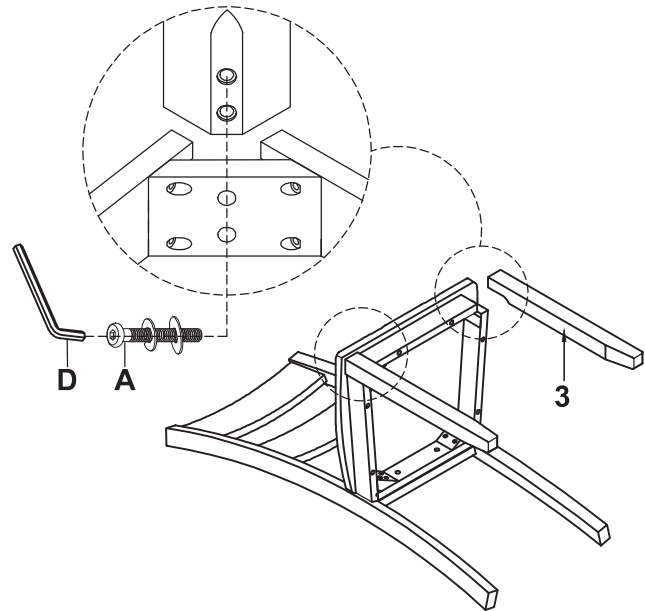
## HARDWARE LIST

NO.	DRAWING	DESCRIPTION	QTY
A		Ø1/4"-20x2-3/8"L (Front leg)	4
B		Ø1/4"-20x3"L (Chair back leg corner)	4
C		Ø1/4"-20x1-3/8"L (Chair back center)	2
D		M4 SMALL ALLEN KEY	1

### STEP/PASO 1:



### STEP/PASO 2:



**DO NOT TIGHTEN ALL BOLTS UNTIL COMPLETELY ASSEMBLED.  
NO APRETAR LOS TORNILLOS HASTA ARMAR COMPLETAMENTE.**