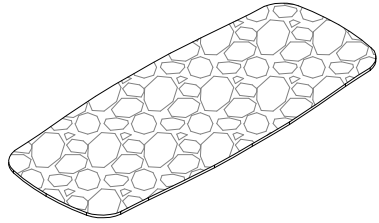


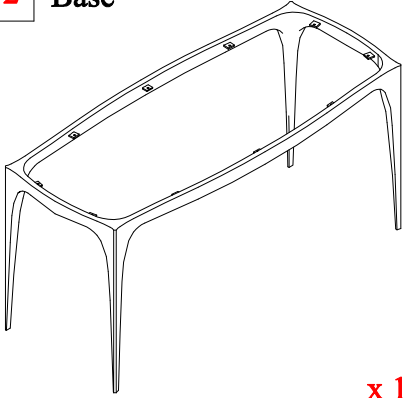
# TA54134 ASSEMBLY INSTRUCTION

**P1** Marble Top



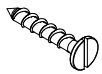
x 1

**P2** Base



x 1

**01** Screw

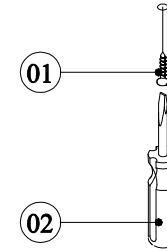
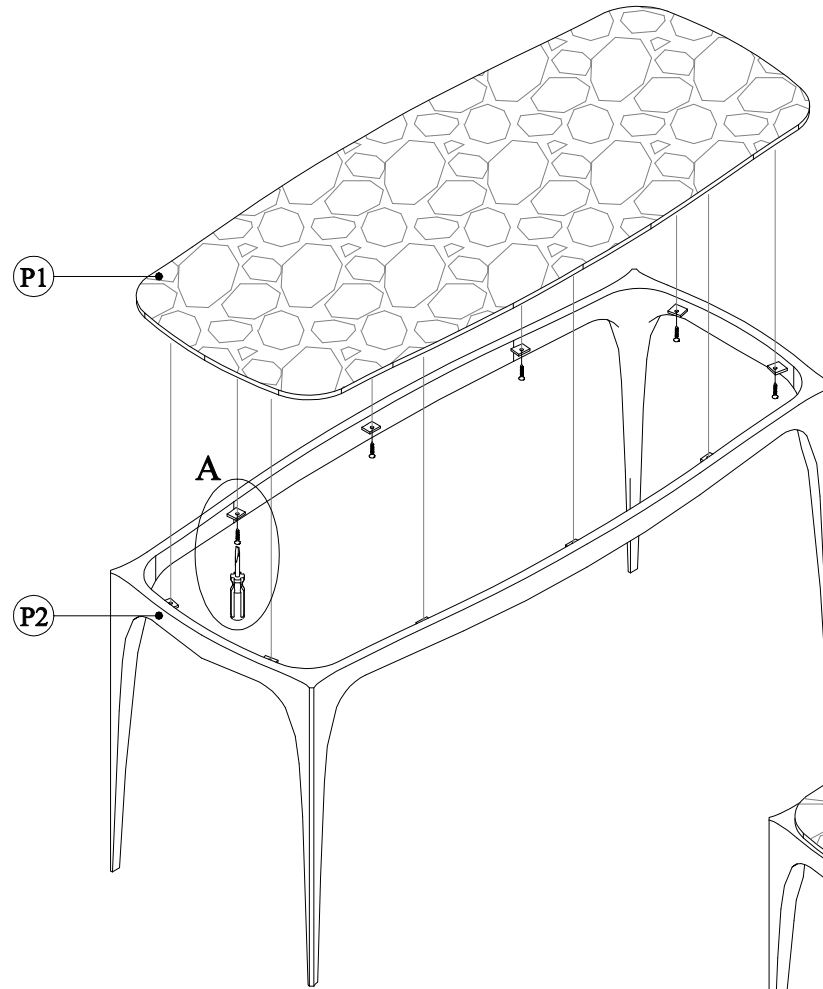


10pcs

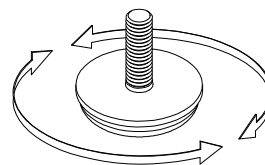
**02** Screw drive



not include



**Detail 'A'**



**Detail 'B'**

