



Large 30" deep design to handle the heat and size of outdoor grills for a best-in-class capture.

UL listed for use in damp locations.

Bright halogen lighting.

Variable-speed rotary control designed to resist the effects of heat and moisture.

Stainless steel baffle filters.

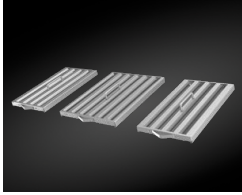
Heat Sentry™ detects excessive heat and adjusts to high automatically.

Model Numbers:

WTD9M36SB

WTD9M42SB

WTD9M48SB



Large, easy to remove baffle filters and grease rail.



Bright halogen lighting.



A variable-speed rotary control enables infinite blower speed adjustment.

Hood Sizes

Widths 36", 42", 48"

Depths 30"

Finish

Stocked Corrosion Resistant Stainless Steel (Grade 304)

Special Order Not Available

Features

Lighting Type Halogen, MR16; GU10-50W

Number of Lamps 2

Lighting Levels 1

Lighting Lamps Included Yes

Control Type Infinite Speed Rotary, Illuminated ON/OFF with Last Memory Setting

Control Features Heat Sentry™

Remote Control Not Available

Filter Type Baffle

Non-ducted Capability No

Hood Blower Options (Blower sold separately)

Internal Modular	P12NA
Max Blower CFM*	1300
Sones Normal Setting**	2.0

*MAX Blower CFM indicates the performance of the hood blower in open air.

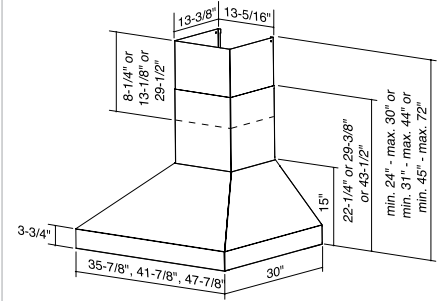
**Normal setting corresponds to speed 1.

Installation Requirements

Amps @ 120V	7.0
Electrical Connection	Direct Wire
Duct Size: Internal Blower	10"
Duct Direction	Vertical
Backdraft Damper	Not Included

Accessories

Flue Extension	8–8.5 ft AEWTD915SB
	8.5–9.5 ft AEWTD1629SB
	9.5–12 ft AEWTD3057SB



Installation height above the cooking surface: 36"

For more details or HVI rated performance for this model see the product specifications sheet found at www.BESTRangeHoods.com



Performance is a beautiful thing.

It can be subtle or bold. It can take months or years to hone.
Then impress you in an instant.

A great performance gives the audience exactly what they want and more than they ever imagined. And it inspires everyone and everything around it to be better.

At **BEST**, we make high performance range hoods that perform beautifully. Astonishingly quiet. Impressively effective. Remarkably efficient. And perfectly suited for the most distinguished kitchens.

Whether it's the centerpiece of the room or letting its surroundings shine, **BEST** is where high-end performance inspires.

best[®]

PERFORMANCE THAT INSPIRES